

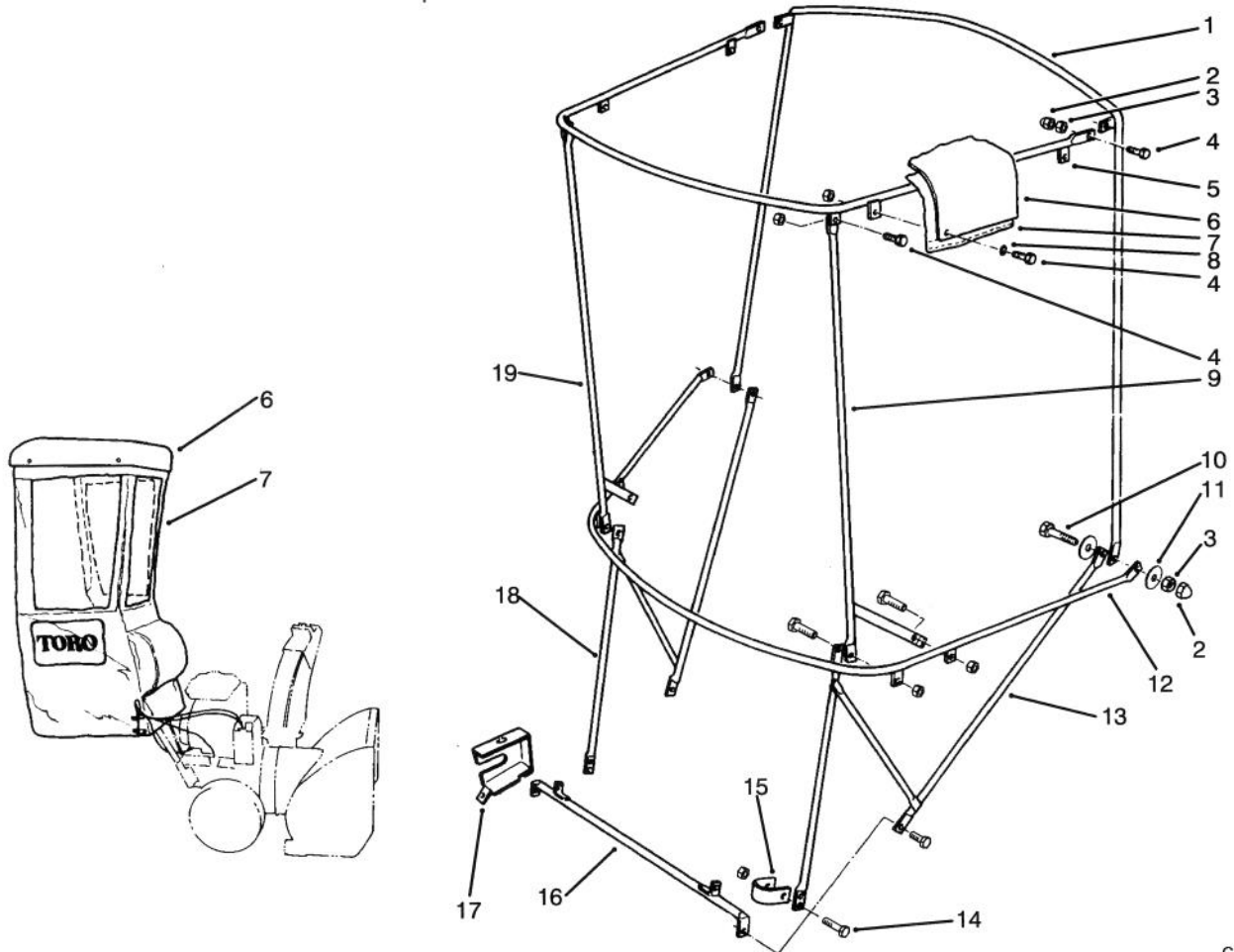


PART NO. 68-9500

PARTS
CATALOG

SNOWCAB KIT

(For Powershift Snowthrowers)



C-0138

SNOWCAB ASSEMBLY

Ref. No.	Part No.	Description	No. Used
1	70-2260	Bow - Vertical	1
2	70-2240	Cover - Nut	4
3	32153-4	Nut - Lock	18
4	321-4	Screw - Cap Hex. Hd.	14
5	70-2250	Frame - Top	1
†6		Top - Plastic	1
†7		Cover - Vinyl	1
8	3256-1	Washer - Flat	4
9	70-2220	Post - Corner, L.H.	1
10	321-6	Screw - Cap Hex. Hd.	2
11	3256-58	Washer - Fender	4

Ref. No.	Part No.	Description	No. Used
12	70-2270	Bow - Horizontal	1
13	66-6230	Bracket - Attaching, L.H.	1
14	321-11	Screw - Cap Hex. Hd.	2
15	66-6240	Clamp - U	2
16	66-6210	Bracket - Base, Attaching	1
17	63-3330	Cover - Lever	1
18	66-6220	Bracket - Attaching, R.H.	1
19	70-2230	Post - Corner, R.H.	1
*	74-1190	Kit - Weight (Std. 824, Opt. 828 & 1132)	1

† Not Sold Separately
* Not Illustrated

© The TORO Company -1993
All Rights Reserved

TPS

PRODUCT CHANGES

In an effort to make improvements available to TORO owners as quickly as possible, minor changes are incorporated into Toro's products from time to time that do not become immediately shown in the Parts Catalog. If such a change has been made in your unit, which is not reflected in your manual, see your TORO Distributor or his Authorized TORO Service Dealer for information and part numbers.

COUNTRIES OTHER THAN THE UNITED STATES OR CANADA

Customers who have purchased TORO products exported from the United States or Canada should contact their Toro Distributor (Dealer) to obtain guarantee policies for your country, province or state. If for any reason you are dissatisfied with your Distributor's

service or have difficulty obtaining guarantee information, contact the TORO importer. If all other remedies fail, you may contact us at The Toro Company.

MAINTENANCE RECORD

Date								

Compliance with Radio Interference Regulations Certified.
 Certifie Conforme au Reglement sur le Brouillage Radioelectrique.