



Titan Z4800 Zero-Turn-Radius Riding Mower

Model No. 74812 - 280000001 and up.

Parts Catalog

Ordering Replacement Parts

To order replacement parts, please supply the part number, the quantity, and the description of each part desired.

Understanding Reference Numbers

Each identified part in an illustration has a reference number. The reference number for a part also appears in the parts list, along with other information about the part.

This catalog uses two special reference number formats, one to indicate parts in a service assembly and another to indicate the quantity of a given part in an illustration.

Service Assembly Reference Numbers

Parts in service assemblies have reference numbers in the form a:b. The a represents the reference number of the entire service assembly and the b represents a sequential number unique to each part within the service assembly.

For example, a wheel assembly might be identified by reference number 6, the tire by 6:1, the valve by 6:2, and the wheel by 6:3. When you order the assembly identified by reference number 6, you receive all parts identified by reference numbers 6:1, 6:2, and 6:3. However, you may also order any part individually. Reference numbers of this type appear in illustrations and in part lists.

Reference Numbers Indicating Quantity

In an illustration, if a reference number indicates more than one part, the reference number has the form nX y. The n represents the quantity of the part, the X is the multiplication symbol, and the y represents the reference number.

For example, in an illustration, the reference number 2X 37 means that two of the parts identified by reference number 37 are indicated.

Contents

| Description | Page | Description | Page |
|--|----------|---|----------|
| Frame Assembly | 3 | Head Assembly Briggs and Stratton 44K777-0125-G1 | 23 |
| Motion Control and Brake Assembly | 5 | Crankshaft Assembly Briggs and Stratton 44K777-0125-G1 | 24 |
| Seat Assembly | 6 | Crankcase Assembly Briggs and Stratton 44K777-0125-G1 | 25 |
| Fuel Tank Assembly | 7 | Fuel Pump Assembly Briggs and Stratton 44K777-0125-G1 | 26 |
| Engine Assembly | 8 | Carburetor Assembly Briggs and Stratton 44K777-0125-G1 | 27 |
| Transmission Assembly | 9 | Air Cleaner Assembly Briggs and Stratton 44K777-0125-G1 | 28 |
| LH Hydro Transmission Assembly No. 109-3372 | 10 | Governor Assembly Briggs and Stratton 44K777-0125-G1 | 29 |
| RH Hydro Transmission Assembly No. 109-3371 | 12 | Flywheel Assembly Briggs and Stratton 44K777-0125-G1 | 30 |
| 48 Inch Deck Assembly | 14 | Starter Assembly Briggs and Stratton 44K777-0125-G1 | 31 |
| 48 Inch Deck Assembly No. 109-6253 | 15 | Engine Gaskets and Carburetor Overhaul Kit Briggs and Stratton 44K777-0125-G1 | 32 |
| 48 Inch Deck and Discharge Assembly | 16 | Attachments and Accessories List | 33 |
| Anti-Scalp Roller Assembly No. 109-6388 | 17 | | |
| Cutter Housing Assembly No. 109-8744 | 18 | | |
| Washout Port Assembly No. 109-6393 | 19 | | |
| Rubber Deflector Assembly No. 114-1651 | 20 | | |
| Electrical Assembly | 21 | | |
| Cylinder Assembly Briggs and Stratton 44K777-0125-G1 | 22 | | |

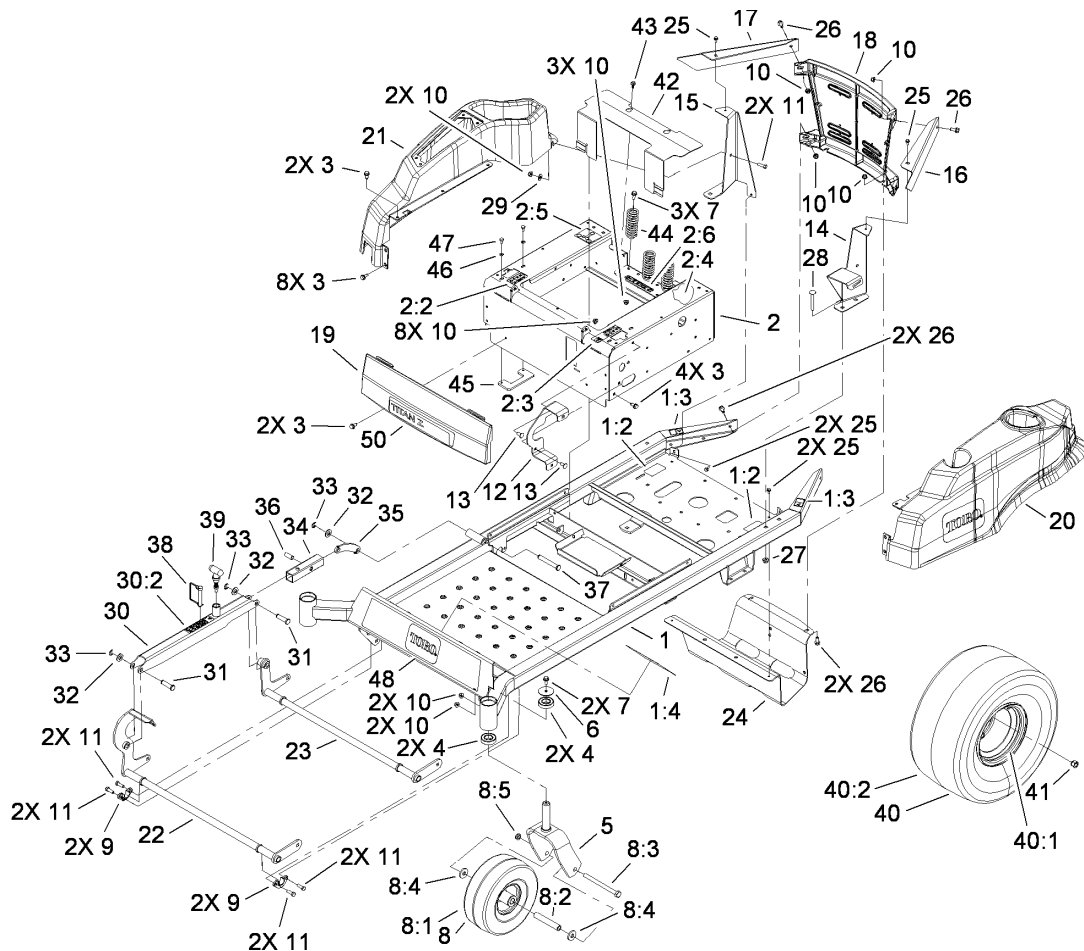
Part Description Abbreviations

Part descriptions in this catalog may include the following abbreviations.

| | |
|--|--|
| AR. as required | HYD. hydraulic |
| ASM. assembly | LH. left hand |
| BBC. blade brake clutch | NI. nylon insert |
| CARR. carriage | NPTF. national pipe thread fine |
| DEG. degrees | PFH. phillips flat head |
| EXT. external | PPH. phillips pan head |
| FH. flat head | PPHTF. phillips pan head thread forming |
| GA. gauge | PRH. phillips round head |
| HD. heavy-duty | PTH. phillips truss head |
| HF. hex flange | PTO. power-take-off |
| HH. hex head | RH. right hand |
| HHF. hex head flange | ROPS. roll-over protection system |
| HHFTF. hex head flange thread forming | SFH. slotted fillister head |
| HJ. hex jam | SHH. slotted hex head |
| HLH. hex lag head | SHWH. slotted hex washer head |
| HOC. height-of-cut | SPH. slotted pan head |
| HSBH. hex socket button head | SQH. square head |
| HSFH. hex socket flat head | SRH. slotted round head |
| HSH. hex socket head | STD. standard |
| HWH. hex washer head | TAP. self tapping |
| HWHTF. hex washer head thread forming | TTH. torx truss head |

Footnotes

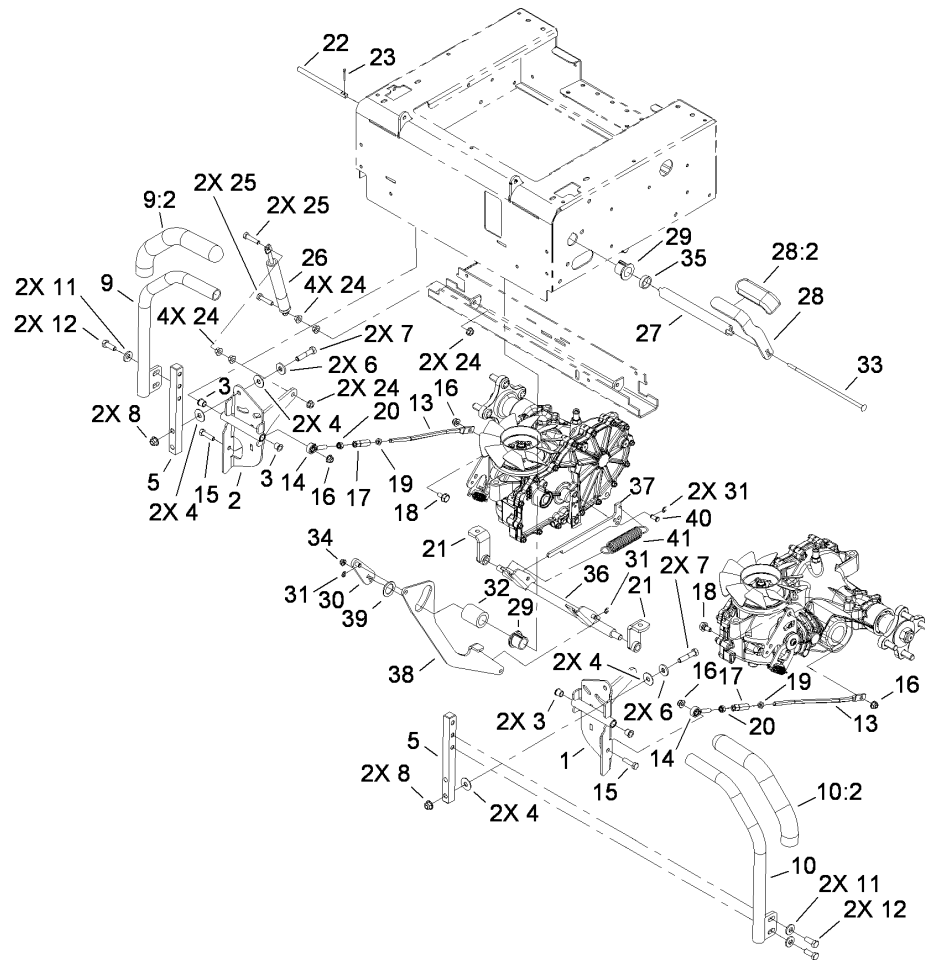
- | | |
|---|--|
| ❶ Not illustrated | ❷ Not serviced separately |
| ❸ Obtain from your local Briggs & Stratton dealer | ❹ Included in Carburetor Overhaul Kit (Ref. No. 121) |
| ❺ Included in Engine Gasket Set (Ref. No. 358) | ❻ Included in Valve Gasket Set (Ref. No. 1095) |



Frame Assembly

| Ref | Part No. | Qty. | Description |
|-----|-------------|------|----------------------|
| 1 | 109-8825 | 1 | Frame ASM |
| 1:2 | 109-6008 | 2 | Decal-Drive Release |
| 1:3 | 106-5517 | 2 | Decal-Surface, Hot |
| 1:4 | 109-8965 | 1 | Decal-Safety |
| 2 | 109-8845 | 1 | Seat Box ASM |
| 2:2 | 109-9182 | 1 | Decal-Motion Control |
| 2:3 | 109-9173 | 1 | Decal-Control Brake |
| 2:4 | 109-9120 | 1 | Decal-Fuse Block |
| 2:5 | 109-6014 | 1 | Decal-Belt Routing |
| 2:6 | 109-6210 | 1 | Decal-Danger |
| 3 | 32144-70 | 16 | Screw-HWHTF |
| 4 | 109-3678 | 4 | Bearing-Ball |
| 5 | 109-6218-01 | 2 | Caster Fork ASM |
| 6 | 109-3724 | 2 | Washer |
| 7 | 3234-47 | 5 | Screw-HHF |
| 8 | 109-6405 | 2 | Caster Wheel ASM |
| 8:1 | 105-1863 | 1 | Wheel-Caster |
| 8:2 | 104-3667 | 1 | Spanner-Wheel |
| 8:3 | 325-20 | 1 | Screw-HH |
| 8:4 | 92-2651 | 2 | Washer |
| 8:5 | 3296-45 | 1 | Nut-Lock, NI |
| 9 | 109-3667 | 4 | Bearing-Flange |
| 10 | 104-8300 | 21 | Nut-Flange, NI |
| 11 | 322-5 | 10 | Screw-HH |

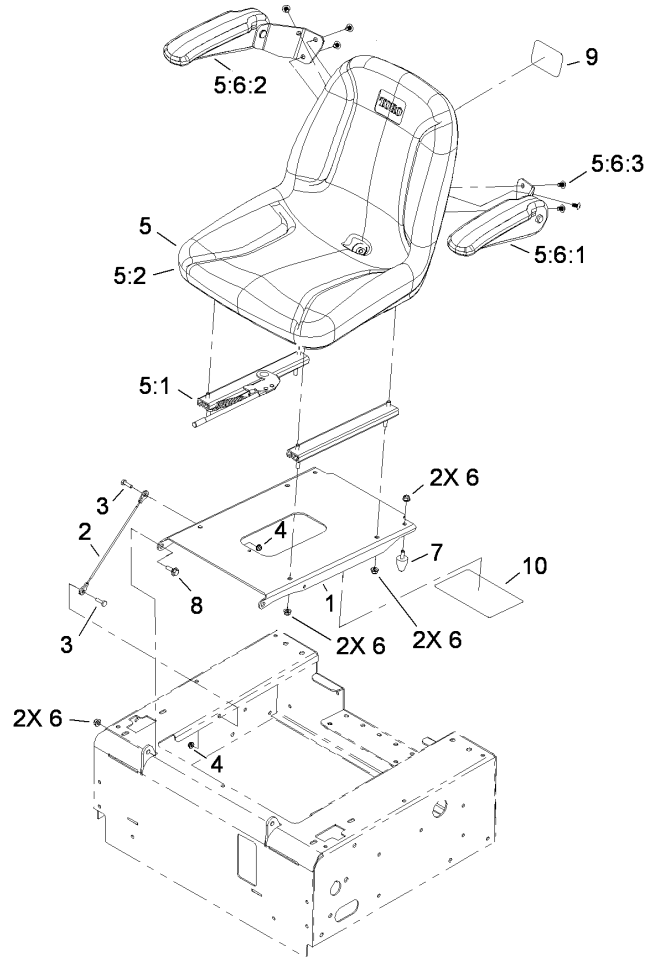
| Ref | Part No. | Qty. | Description |
|------|-------------|------|--------------------------|
| 12 | 109-6045-03 | 1 | Bracket-Tank Mount |
| 13 | 3230-23 | 2 | Screw-CARR |
| 14 | 109-6867-03 | 1 | Bracket-Rear Tank, LH |
| 15 | 109-3406-03 | 1 | Bracket-Rear Console, RH |
| 16 | 109-3381-03 | 1 | Guard-Engine, LH |
| 17 | 109-3391-03 | 1 | Guard-Engine, RH |
| 18 | 109-5444-03 | 1 | Casting-Rear |
| 19 | 109-5432 | 1 | Panel-Front |
| 20 | 109-5441 | 1 | Fender-LH |
| 21 | 109-5442 | 1 | Fender-RH |
| 22 | 109-8870-03 | 1 | Front Shaft ASM |
| 23 | 109-8871-03 | 1 | Rear Shaft ASM |
| 24 | 114-1658-03 | 1 | Guard-Muffler |
| 25 | 9266714 | 6 | Screw-HWH |
| 26 | 3234-5 | 6 | Screw-HHF |
| 27 | 104-8301 | 4 | Nut-Flange, NI |
| 28 | 3231-9 | 4 | Screw-CARR |
| 29 | 3256-3 | 2 | Washer-Flat |
| 30 | 109-8758 | 1 | Height Adjustment ASM |
| 30:2 | 109-8759 | 1 | Decal-Cut Height |
| 31 | 109-5819 | 2 | Pin-Clevis |
| 32 | 3256-26 | 3 | Washer-Flat |
| 33 | 32120-47 | 3 | Ring-Retaining, External |
| 34 | 109-8755 | 1 | Stop-Height Adjust |



Motion Control and Brake Assembly

| Ref | Part No. | Qty. | Description |
|------|----------|------|-----------------------------|
| 1 | 109-6915 | 1 | LH Motion Control Pivot ASM |
| 2 | 109-6914 | 1 | RH Motion Control Pivot ASM |
| 3 | 103-9928 | 4 | Bearing |
| 4 | 52-2900 | 8 | Washer-Plastic |
| 5 | 109-3689 | 2 | Post-Lever Mount |
| 6 | 5-0838 | 4 | Washer |
| 7 | 323-9 | 4 | Screw-HH |
| 8 | 104-8301 | 4 | Nut-Flange, NI |
| 9 | 109-7098 | 1 | RH Lever And Grip ASM |
| 9:2 | 109-5192 | 1 | Grip-Control Lever |
| 10 | 109-7099 | 1 | LH Lever And Grip ASM |
| 10:2 | 109-5192 | 1 | Grip-Control Lever |
| 11 | 98-5975 | 4 | Washer-Belleville |
| 12 | 323-6 | 4 | Screw-HH |
| 13 | 109-3414 | 2 | Rod-Steering |
| 14 | 2411-53 | 2 | Bearing-Rod End, LH |
| 15 | 322-6 | 2 | Screw-HH |
| 16 | 104-8300 | 4 | Nut-Flange, NI |
| 17 | 109-3728 | 2 | Nut-Rod Adjustment |
| 18 | 37-8771 | 2 | Bolt-Shoulder |
| 19 | 3220-2 | 2 | Nut-Jam |
| 20 | 3220-20 | 2 | Nut-Jam |
| 21 | 109-6220 | 2 | Brake Pivot ASM |
| 22 | 109-3705 | 2 | Pin-Control Pivot |

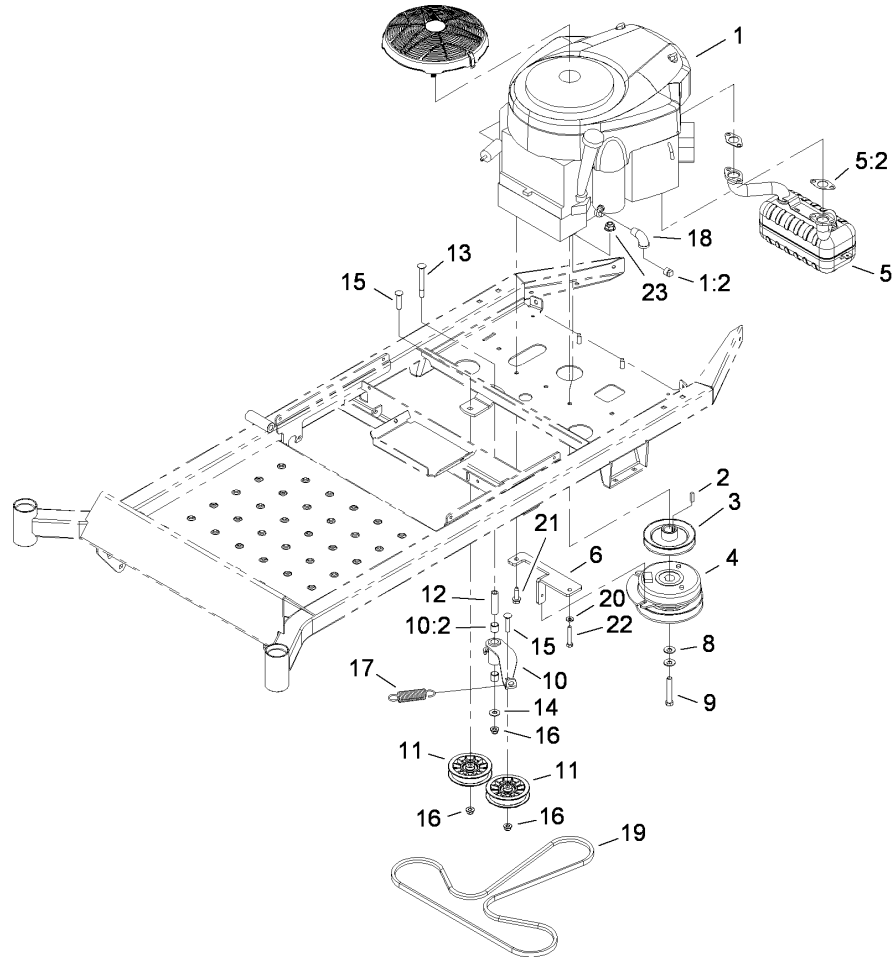
| Ref | Part No. | Qty. | Description |
|------|----------|------|-----------------------|
| 23 | 3272-10 | 2 | Pin-Cotter |
| 24 | 32128-20 | 12 | Nut-HF |
| 25 | 1-403180 | 4 | Screw-HH |
| 26 | 109-5957 | 2 | Damper-Motion Control |
| 27 | 109-5825 | 1 | Tube-Brake Pivot |
| 28 | 109-5918 | 1 | Lever ASM |
| 28:2 | 1-633268 | 1 | Grip-Lever, Brake |
| 29 | 107-7581 | 2 | Bushing-Flange, Keyed |
| 30 | 109-5824 | 1 | Bellcrank ASM |
| 31 | 701197 | 4 | E-Ring |
| 32 | 109-5834 | 1 | Spacer |
| 33 | 109-5868 | 1 | Bolt-CARR |
| 34 | 104-7201 | 1 | Nut-HF |
| 35 | 109-5914 | 1 | Spacer |
| 36 | 109-8765 | 1 | Brake Shaft ASM |
| 37 | 109-6907 | 2 | Link-Brake Actuation |
| 38 | 109-5833 | 1 | Arm-Brake |
| 39 | 99-4958 | 1 | Spacer |
| 40 | 109-6887 | 2 | Pin-Clevis |
| 41 | 1-603693 | 2 | Spring-Extension |



Seat Assembly

| Ref | Part No. | Qty. | Description |
|-------|----------|------|-------------------|
| 1 | 109-6916 | 1 | Seat Plate ASM |
| 2 | 109-2628 | 1 | Cable-Stop, Seat |
| 3 | 321-5 | 2 | Screw-HH |
| 4 | 104-7201 | 2 | Nut-HF |
| 5 | 109-6184 | 1 | Seat ASM |
| 5:1 | 107-1880 | 1 | Seat Track Kit |
| 5:2 | 109-6381 | 1 | Seat |
| 5:5:6 | | 1 | Armrest Kit |
| 5:6:1 | 110-6569 | 1 | LH Armrest Kit |
| 5:6:2 | 110-6570 | 1 | RH Armrest Kit |
| 5:6:3 | 108-6179 | 6 | Screw-HSBH |
| 6 | 104-8300 | 8 | Nut-Flange, NI |
| 7 | 103-9376 | 2 | Bumper-Seat |
| 8 | 27-0410 | 2 | Screw-Shoulder |
| 9 | 99-2385 | 1 | Decal |
| 10 | 109-6016 | 1 | Decal-Service Aid |

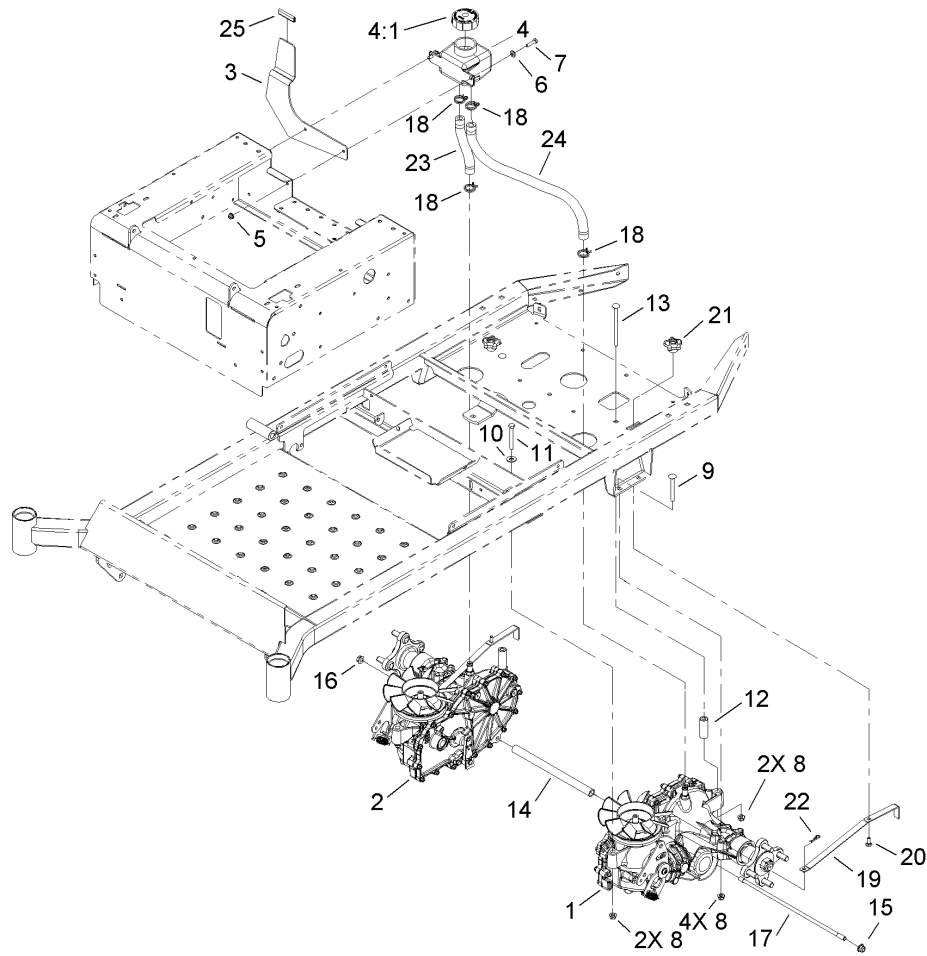
| | | | |
|--|--|--|--|
| | | | |
|--|--|--|--|



Engine Assembly

| Ref | Part No. | Qty. | Description |
|------|-------------|------|--|
| 1 | | 1 | Engine-Briggs And Stratton, 44K777-0125-G1 |
| 1:2 | 281-2 | 1 | Plug-Pipe, SQH |
| 2 | 5-7280 | 1 | Key |
| 3 | 109-3386 | 1 | Sheave-Split Steel |
| 4 | 110-6766 | 1 | Clutch-Electric, PTO |
| 5 | 109-8851 | 1 | Muffler ASM |
| 5:2 | 104-3226 | 2 | Gasket-Exhaust |
| 6 | 109-8855-03 | 1 | Anchor-Clutch |
| 8 | 1-603610 | 2 | Washer-Spring |
| 9 | 3212-11 | 1 | Screw-HH |
| 10 | 109-9162 | 1 | Idler Arm ASM |
| 10:2 | 1-513034 | 2 | Sleeve-Bearing |
| 11 | 109-3397 | 2 | Pulley-Flat Idler |
| 12 | 1-603384 | 1 | Bushing-Pivot, Idler |
| 13 | 3231-11 | 1 | Screw-CARR |
| 14 | 3256-4 | 1 | Washer-Flat |
| 15 | 3231-5 | 2 | Screw-CARR |
| 16 | 104-8301 | 3 | Nut-Flange, NI |
| 17 | 1-603402 | 1 | Spring-Extension |
| 18 | 1-403124 | 1 | Elbow-90 DEG |
| 19 | 109-3388 | 1 | Belt |
| 20 | 1-303334 | 1 | Washer-Spring |
| 21 | 32144-109 | 3 | Screw |

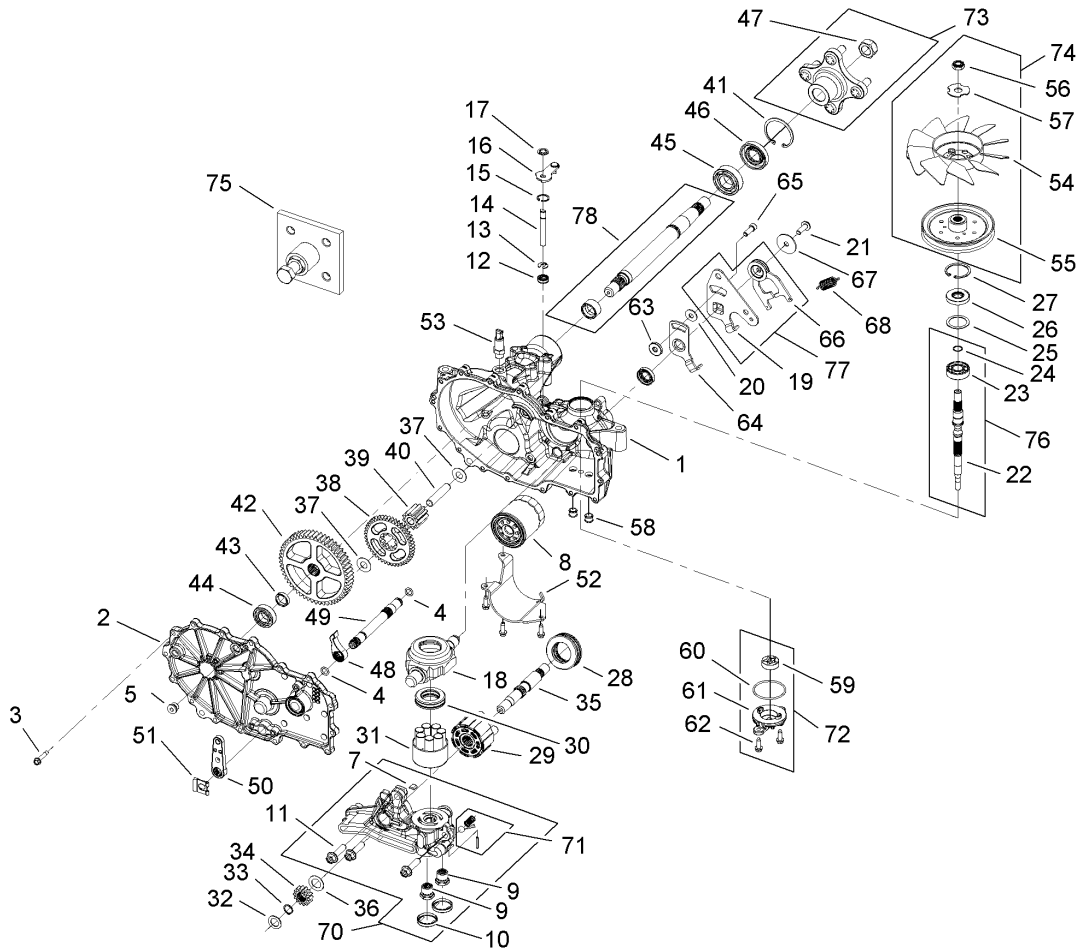
| Ref | Part No. | Qty. | Description |
|-----|----------|------|----------------|
| 22 | 322-10 | 1 | Screw-HH |
| 23 | 104-8300 | 1 | Nut-Flange, NI |



Transmission Assembly

| Ref | Part No. | Qty. | Description |
|-----|-------------|------|--------------------------|
| 1 | 109-3372 | 1 | Transmission-LH |
| 2 | 109-3371 | 1 | Transmission-RH |
| 3 | 109-6570-03 | 1 | Bracket-Fender Support |
| 4 | 109-2250 | 1 | Vent-Tank, Hydro |
| 4:1 | 109-3320 | 1 | Cap-Reservoir, Hydraulic |
| 5 | 104-7201 | 2 | Nut-HF |
| 6 | 3256-22 | 2 | Washer-Flat |
| 7 | 321-6 | 2 | Screw-HH |
| 8 | 104-8300 | 8 | Nut-Flange, NI |
| 9 | 3230-9 | 4 | Screw-CARR |
| 10 | 3256-3 | 2 | Washer-Flat |
| 11 | 322-12 | 2 | Screw-HH |
| 12 | 109-3652 | 2 | Spacer-Hydro |
| 13 | 3230-30 | 2 | Screw-CARR |
| 14 | 109-3710 | 1 | Tube-Spacer |
| 15 | 104-8301 | 1 | Nut-Flange, NI |
| 16 | 3290-357 | 1 | Nut-HHF, Whiz |
| 17 | 109-3711 | 1 | Rod-Tension |
| 18 | 109-3322 | 4 | Clamp-Hose |
| 19 | 109-5395 | 2 | Arm-Hydro Bypass |
| 20 | 3229-1 | 2 | Screw-CARR |
| 21 | 108-6402 | 2 | Knob-Handle |
| 22 | 1-806003 | 2 | Pin-Hair |
| 23 | 109-5577 | 1 | Hose-Hydraulic |

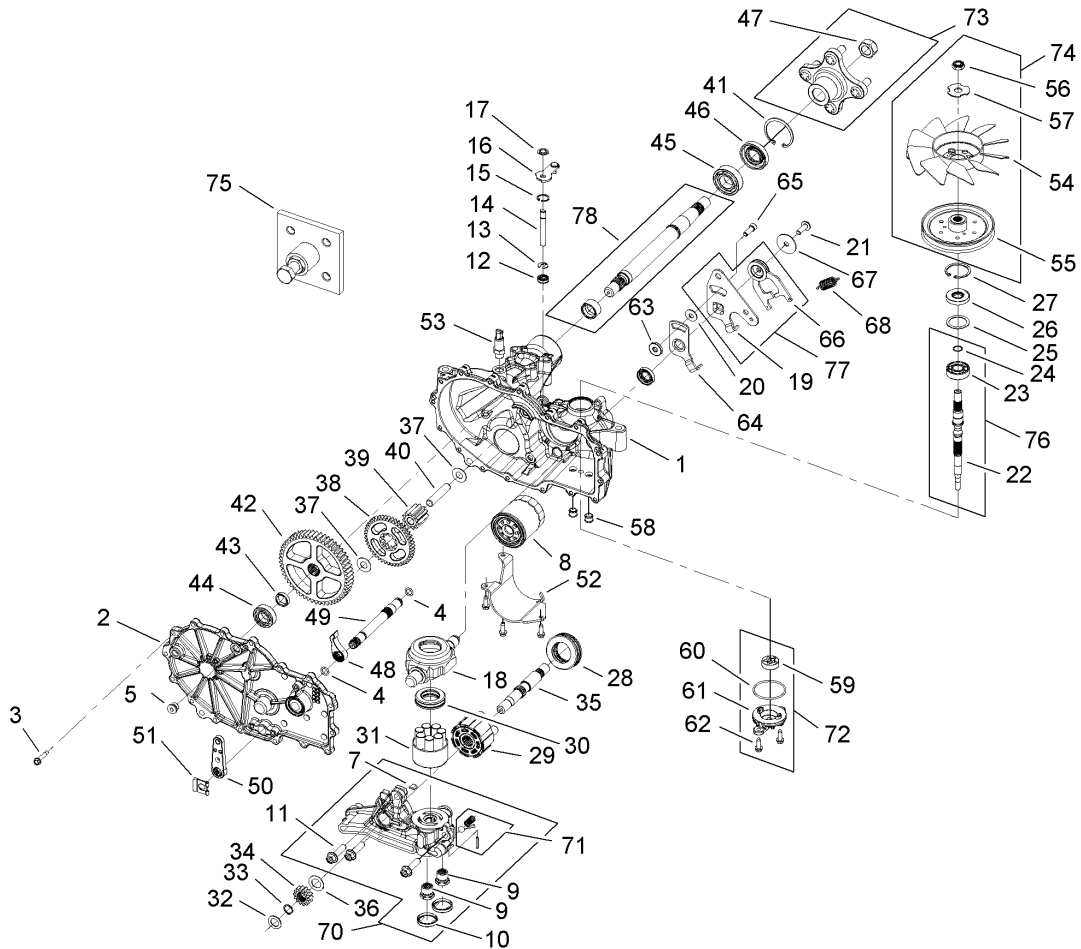
| Ref | Part No. | Qty. | Description |
|-----|----------|------|----------------|
| 24 | 109-5578 | 1 | Hose-Hydraulic |
| 25 | 109-2985 | 1 | Trim |



LH Hydro Transmission Assembly No. 109-3372

| Ref | Part No. | Qty. | Description |
|-----|----------|------|-----------------------------|
| 1 | 114-8471 | 1 | LH Main Housing Kit |
| 2 | 114-8472 | 1 | LH Side Cover Kit |
| 3 | 104-5305 | 16 | Screw-HHF |
| 4 | 114-1678 | 1 | O-Ring |
| 5 | 112-9850 | 1 | Plug |
| 6 | 114-1679 | 1 | Loctite 590-Gasket Material |
| 7 | 114-1680 | 1 | Plate-Bypass |
| 8 | 109-3321 | 1 | Element-Oil Filter, HYD |
| 9 | 114-1682 | 1 | Check Plug |
| 10 | 114-1683 | 2 | Seal-Plug |
| 11 | 114-1684 | 3 | Screw-Hfhc |
| 12 | 106-8676 | 1 | Seal-Lip |
| 13 | 106-8677 | 1 | Ring-Retaining, EXT |
| 14 | 114-1685 | 1 | Rod-Bypass |
| 15 | 106-8679 | 1 | Ring-Retaining, Int |
| 16 | 107-2490 | 1 | Arm-Bypass |
| 17 | 106-8681 | 1 | Ring-Retaining, EXT |
| 18 | 104-5304 | 1 | Swashplate-Trunnion |
| 19 | 114-1686 | 1 | Arm-Control, RH |
| 20 | 114-8491 | 1 | Washer |
| 21 | 107-2488 | 1 | Screw |
| 22 | 114-1687 | 1 | Shaft-Input |
| 23 | 103-7441 | 1 | Bearing-Shaft, Input |
| 24 | 104-5307 | 1 | Ring-Retaining |

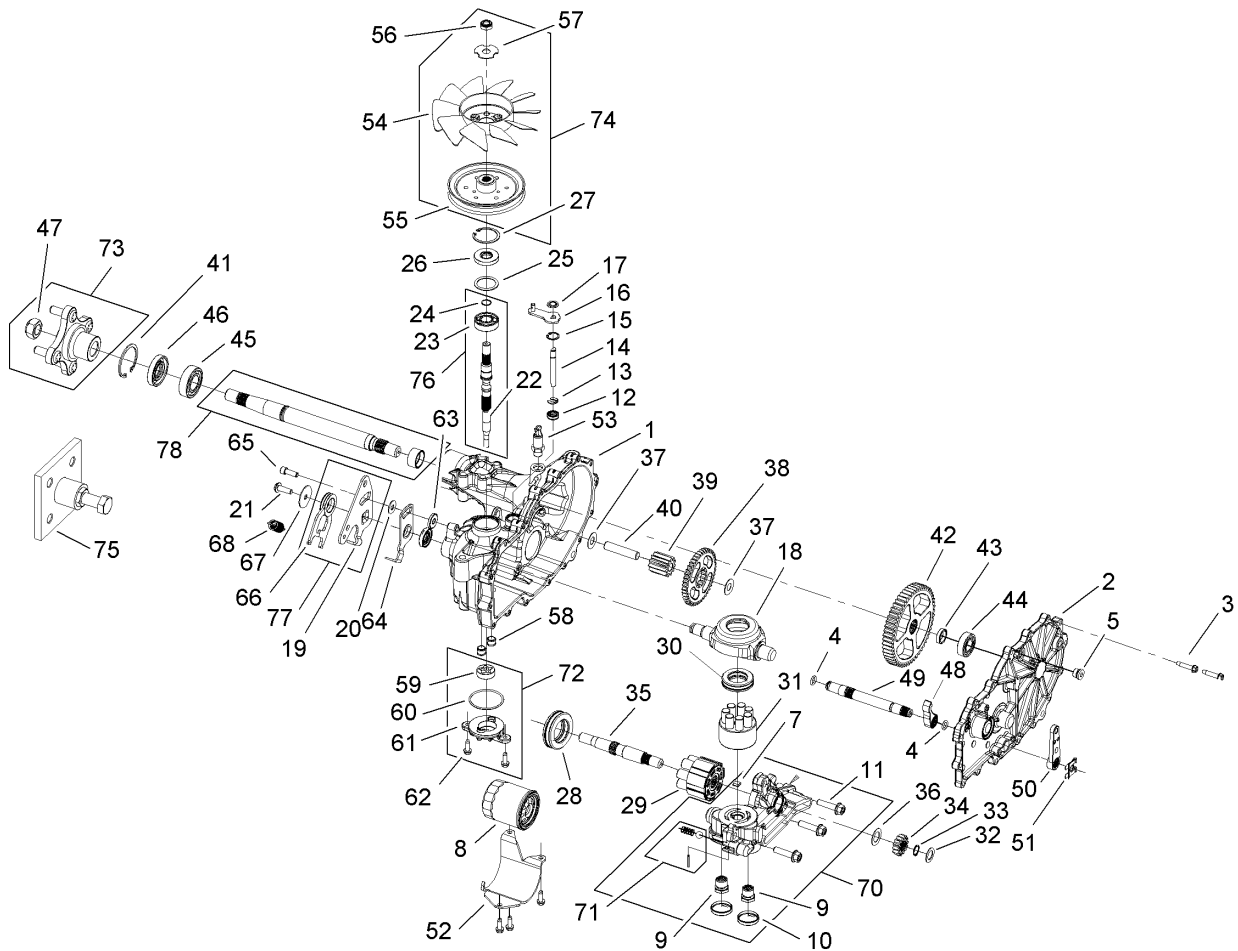
| Ref | Part No. | Qty. | Description |
|-----|----------|------|--------------------------|
| 25 | 104-5308 | 1 | Spacer |
| 26 | 104-5310 | 1 | Seal-Lip |
| 27 | 104-5309 | 1 | Ring-Retaining |
| 28 | 114-1688 | 1 | Bearing-Thrust |
| 29 | 114-1689 | 1 | Motor Cylinder Block Kit |
| 30 | 94-6922 | 1 | Bearing-Thrust |
| 31 | 110-8561 | 1 | Pump Block ASM |
| 32 | 104-5339 | 1 | Washer-Flat |
| 33 | 104-5340 | 1 | Ring-Retaining |
| 34 | 114-1690 | 1 | Gear-14T |
| 35 | 114-1691 | 1 | Shaft-Motor |
| 36 | 104-5360 | 1 | Washer-Shaft, Motor |
| 37 | 94-1933 | 1 | Washer |
| 38 | 114-1692 | 1 | Gear-45T |
| 39 | 114-1693 | 1 | Gear-11T |
| 40 | 104-5329 | 1 | Pin-Jackshaft |
| 41 | 104-2169 | 1 | Ring-Retaining |
| 42 | 114-1694 | 1 | Gear-54T |
| 43 | 114-1695 | 1 | Spacer |
| 44 | 114-1696 | 1 | Bearing-Ball |
| 45 | 104-2143 | 1 | Bearing-Ball |
| 46 | 104-2144 | 1 | Seal |
| 47 | 105-1895 | 1 | Nut |
| 48 | 114-1697 | 1 | Pawl-Brake |



LH Hydro Transmission Assembly No. 109-3372 (continued)

| Ref | Part No. | Qty. | Description |
|-------|----------|------|-----------------------|
| 49 | 114-1698 | 1 | Shaft-Inboard Brake |
| 50 | 114-1699 | 1 | Handle-Brake |
| 51 | 114-8450 | 1 | Clip-Retaining |
| 52 | 114-8473 | 1 | Guard-Filter, LH |
| 53 | 109-3278 | 1 | Adapter-Straight |
| ①53:1 | 1-603921 | 1 | O-Ring |
| 54 | 114-8453 | 1 | Fan-7.0 |
| 55 | 114-8454 | 1 | Pulley-5.0 Inch |
| 56 | 105-1875 | 1 | Nut-Lock |
| 57 | 107-9122 | 1 | Washer-Slotted |
| 58 | 114-8455 | 1 | Tube-Connecting |
| 59 | 104-2122 | 1 | Gerotor ASM |
| 60 | 109-3540 | 1 | O-Ring-Seal |
| 61 | 114-8457 | 1 | Cover-Charge Pump |
| 62 | 104-2120 | 1 | Screw |
| 63 | 114-8458 | 1 | Spacer |
| 64 | 114-8474 | 1 | Arm-Neutral, Left |
| 65 | 106-8682 | 1 | Screw-Sh |
| 66 | 114-8475 | 1 | Rtn Ccw ASM |
| 67 | 114-8478 | 1 | Washer |
| 68 | 109-5592 | 1 | Spring-Extension |
| 69 | 109-3537 | 1 | Complete Seal Kit |
| 70 | 114-8476 | 1 | LH Center Section Kit |
| 71 | 114-8464 | 1 | Charge Relief Kit |

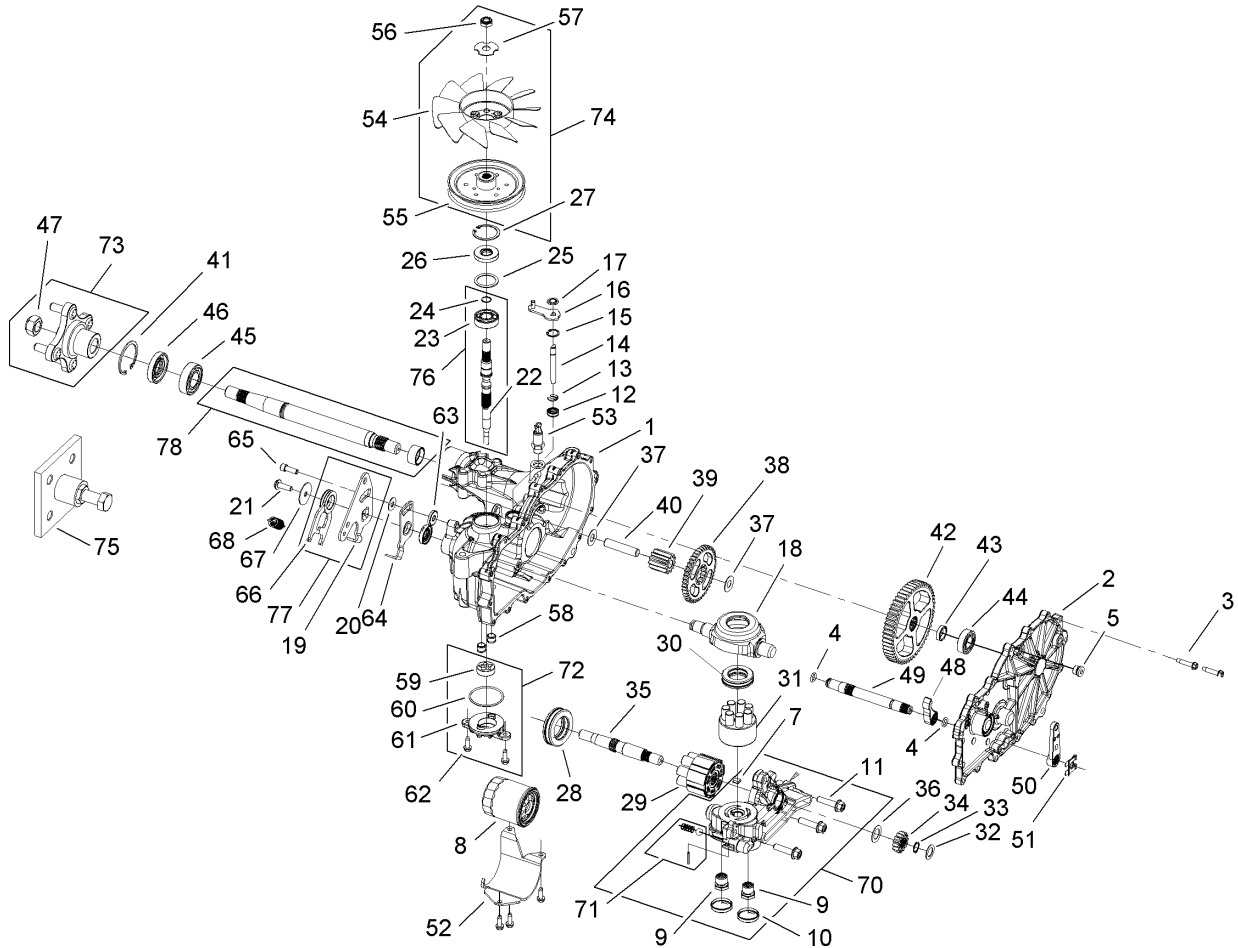
| Ref | Part No. | Qty. | Description |
|-------|----------|------|--------------------|
| 72 | 114-8465 | 1 | Charge Kit |
| 73 | 109-5939 | 1 | Hub Kit |
| ②73:2 | | 1 | Hub W/Studs |
| 74 | 109-5938 | 1 | Fan And Pulley Kit |
| ②74:2 | | 1 | Pulley |
| ②74:3 | | 1 | Locknut,Hex |
| ②74:4 | | 1 | Washer |
| 75 | 114-8467 | 1 | Hub-Puller, 4 Bolt |
| 76 | 114-8468 | 1 | Input Shaft Kit |
| 77 | 114-8477 | 1 | Rtn Ccw Kit |
| 78 | 114-8470 | 1 | Axle Shaft Kit |



RH Hydro Transmission Assembly No. 109-3371

| Ref | Part No. | Qty. | Description |
|-----|----------|------|-----------------------------|
| 1 | 114-1676 | 1 | RH Main Housing Kit |
| 2 | 114-1677 | 1 | RH Side Cover Kit |
| 3 | 104-5305 | 16 | Screw-HHF |
| 4 | 114-1678 | 2 | O-Ring |
| 5 | 112-9850 | 1 | Plug |
| 6 | 114-1679 | 1 | Loctite 590-Gasket Material |
| 7 | 114-1680 | 1 | Plate-Bypass |
| 8 | 109-3321 | 1 | Element-Oil Filter, HYD |
| 9 | 114-1682 | 1 | Check Plug |
| 10 | 114-1683 | 2 | Seal-Plug |
| 11 | 114-1684 | 3 | Screw-Hfhc |
| 12 | 106-8676 | 1 | Seal-Lip |
| 13 | 106-8677 | 1 | Ring-Retaining, EXT |
| 14 | 114-1685 | 1 | Rod-Bypass |
| 15 | 106-8679 | 1 | Ring-Retaining, Int |
| 16 | 107-2490 | 1 | Arm-Bypass |
| 17 | 106-8681 | 1 | Ring-Retaining, EXT |
| 18 | 104-5304 | 1 | Swashplate-Trunnion |
| 19 | 114-1686 | 1 | Arm-Control, RH |
| 20 | 114-8491 | 1 | Washer |
| 21 | 107-2488 | 1 | Screw |
| 22 | 114-1687 | 1 | Shaft-Input |
| 23 | 103-7441 | 1 | Bearing-Shaft, Input |
| 24 | 104-5307 | 1 | Ring-Retaining |

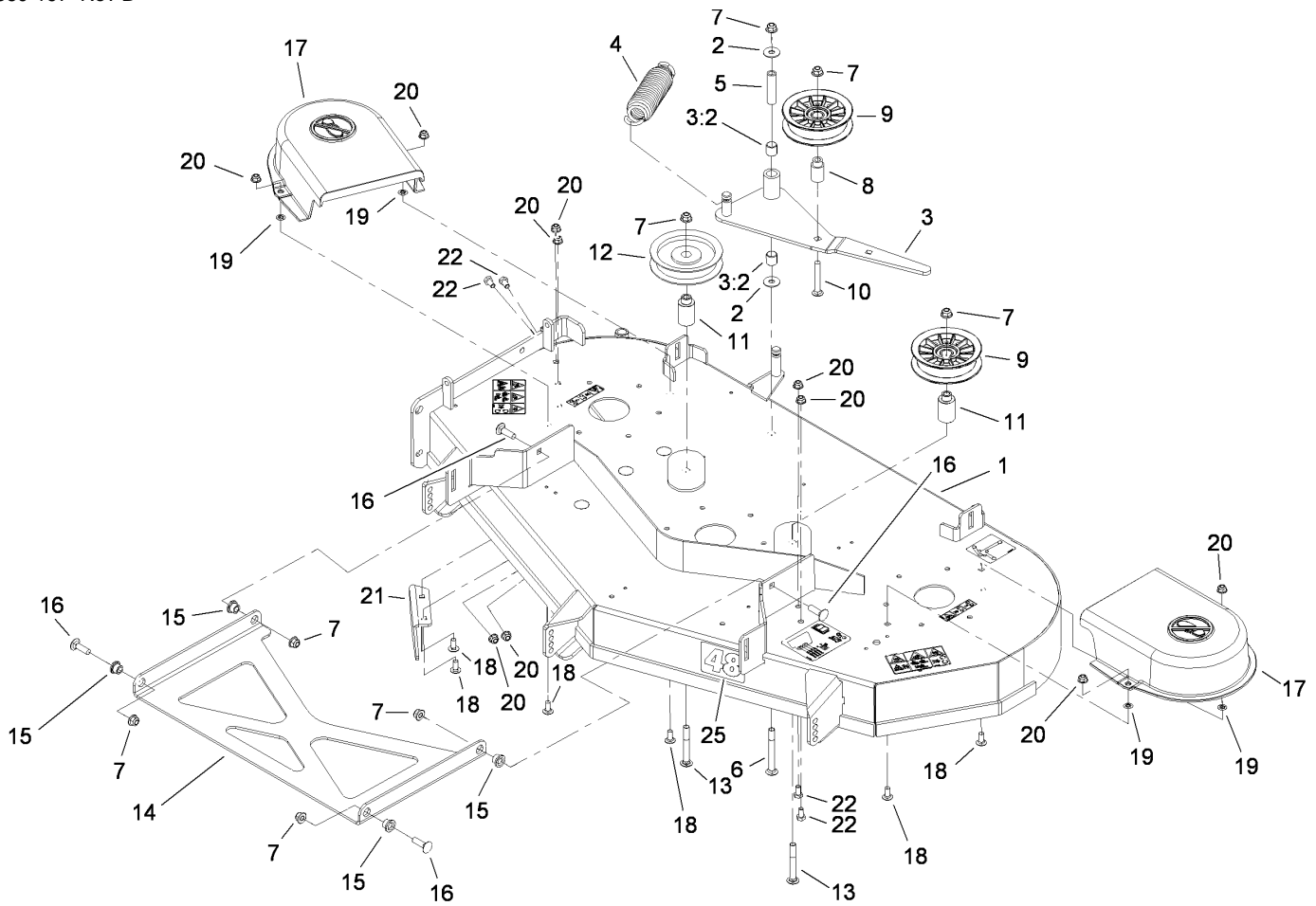
| Ref | Part No. | Qty. | Description |
|-----|----------|------|--------------------------|
| 25 | 104-5308 | 1 | Spacer |
| 26 | 104-5310 | 1 | Seal-Lip |
| 27 | 104-5309 | 1 | Ring-Retaining |
| 28 | 114-1688 | 1 | Bearing-Thrust |
| 29 | 114-1689 | 1 | Motor Cylinder Block Kit |
| 30 | 94-6922 | 1 | Bearing-Thrust |
| 31 | 110-8561 | 1 | Pump Block ASM |
| 32 | 104-5339 | 1 | Washer-Flat |
| 33 | 104-5340 | 1 | Ring-Retaining |
| 34 | 114-1690 | 1 | Gear-14T |
| 35 | 114-1691 | 1 | Shaft-Motor |
| 36 | 104-5360 | 1 | Washer-Shaft, Motor |
| 37 | 94-1933 | 2 | Washer |
| 38 | 114-1692 | 1 | Gear-45T |
| 39 | 114-1693 | 1 | Gear-11T |
| 40 | 104-5329 | 1 | Pin-Jackshaft |
| 41 | 104-2169 | 1 | Ring-Retaining |
| 42 | 114-1694 | 1 | Gear-54T |
| 43 | 114-1695 | 1 | Spacer |
| 44 | 114-1696 | 1 | Bearing-Ball |
| 45 | 104-2143 | 1 | Bearing-Ball |
| 46 | 104-2144 | 1 | Seal |
| 47 | 105-1895 | 1 | Nut |
| 48 | 114-1697 | 1 | Pawl-Brake |



RH Hydro Transmission Assembly No. 109-3371 (continued)

| Ref | Part No. | Qty. | Description |
|-------|----------|------|-----------------------|
| 49 | 114-1698 | 1 | Shaft-Inboard Brake |
| 50 | 114-1699 | 1 | Handle-Brake |
| 51 | 114-8450 | 1 | Clip-Retaining |
| 52 | 114-8451 | 1 | Guard-Filter, RH |
| 53 | 109-3278 | 1 | Adapter-Straight |
| ●53:1 | 1-603921 | 1 | O-Ring |
| 54 | 114-8453 | 1 | Fan-7.0 |
| 55 | 114-8454 | 1 | Pulley-5.0 Inch |
| 56 | 105-1875 | 1 | Nut-Lock |
| 57 | 107-9122 | 1 | Washer-Slotted |
| 58 | 114-8455 | 2 | Tube-Connecting |
| 59 | 104-2122 | 1 | Gerotor ASM |
| 60 | 109-3540 | 1 | O-Ring-Seal |
| 61 | 114-8457 | 1 | Cover-Charge Pump |
| 62 | 104-2120 | 2 | Screw |
| 63 | 114-8458 | 1 | Spacer |
| 64 | 114-8459 | 1 | Arm-Neutral, Right |
| 65 | 106-8682 | 1 | Screw-Sh |
| 66 | 114-8460 | 1 | Cw Rtn ASM |
| 67 | 114-8478 | 1 | Washer |
| 68 | 109-5592 | 1 | Spring-Extension |
| ●69 | 109-3537 | 1 | Complete Seal Kit |
| 70 | 114-8463 | 1 | RH Center Section Kit |
| 71 | 114-8464 | 1 | Charge Relief Kit |

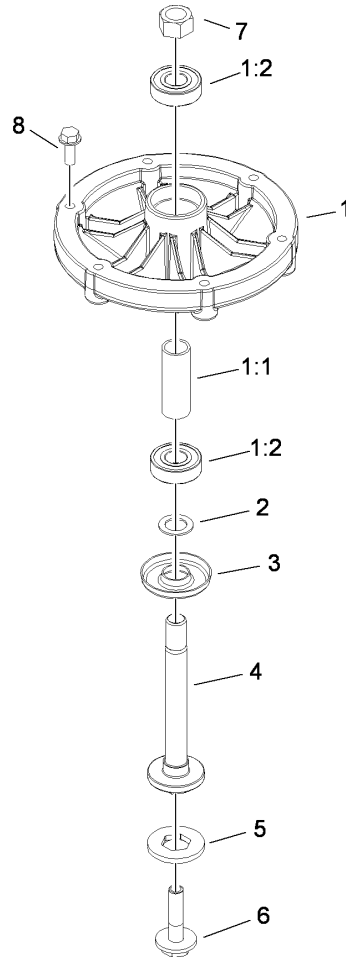
| Ref | Part No. | Qty. | Description |
|-------|----------|------|--------------------|
| 72 | 114-8465 | 1 | Charge Kit |
| 73 | 109-5939 | 1 | Hub Kit |
| ●73:2 | | 1 | Hub W/Studs |
| 74 | 109-5938 | 1 | Fan And Pulley Kit |
| ●74:2 | | 1 | Pulley |
| ●74:3 | | 1 | Locknut, Hex |
| ●74:4 | | 1 | Washer |
| 75 | 114-8467 | 1 | Hub-Puller, 4 Bolt |
| 76 | 114-8468 | 1 | Input Shaft Kit |
| 77 | 114-8469 | 1 | Rtn Cw Kit |
| 78 | 114-8470 | 1 | Axle Shaft Kit |



48 Inch Deck Assembly

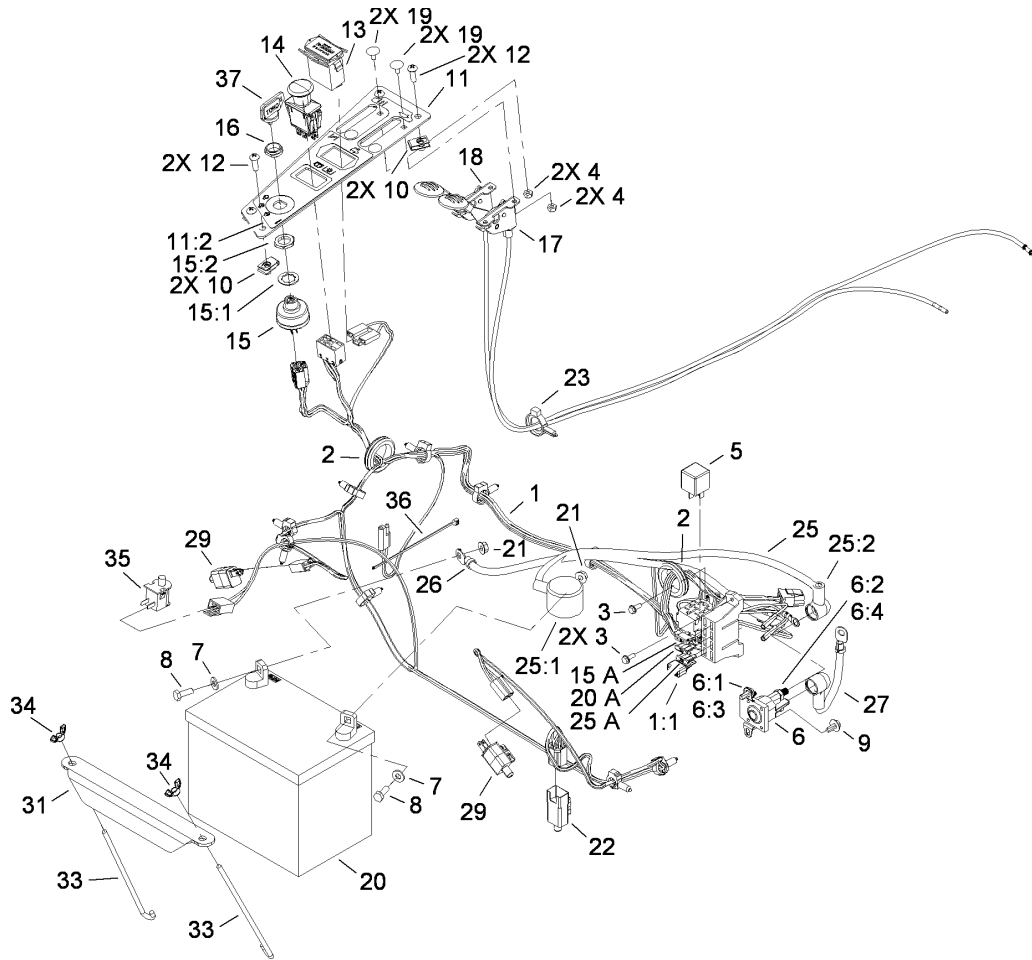
| Ref | Part No. | Qty. | Description |
|-----|-------------|------|---------------------------|
| 1 | 109-6253 | 1 | 48 Inch Deck ASM |
| 2 | 52-2860 | 2 | Washer |
| 3 | 109-9158 | 1 | Idler Arm ASM |
| 3:2 | 1-513034 | 2 | Sleeve-Bearing |
| 4 | 103-3330 | 1 | Spring-Extension |
| 5 | 1-603384 | 1 | Bushing-Pivot, Idler |
| 6 | 3231-11 | 1 | Screw-CARR |
| 7 | 104-8301 | 8 | Nut-Flange, NI |
| 8 | 1-413113 | 1 | Bushing-Idler |
| 9 | 109-8891 | 2 | Sheave And Bearing ASM |
| 10 | 3231-31 | 1 | Screw-CARR |
| 11 | 109-6572 | 2 | Bushing-Idler |
| 12 | 1-603843 | 1 | Pulley-Idler |
| 13 | 109-6868 | 2 | Bolt-Carriage |
| 14 | 109-3723-01 | 1 | Strut-Deck |
| 15 | 109-8788 | 4 | Bushing-Flanged |
| 16 | 3231-25 | 4 | Screw-CARR |
| 17 | 109-3449 | 2 | Shield-Belt |
| 18 | 3230-23 | 6 | Screw-CARR |
| 19 | 109-5667 | 4 | Ring-Retaining, Bolt |
| 20 | 104-8300 | 10 | Nut-Flange, NI |
| 21 | 109-5498-03 | 1 | Baffle-Discharge |
| 22 | 322-2 | 4 | Screw-HH |
| 25 | 109-9145 | 1 | Decal-Titan, 48 Inch Deck |

| | | | |
|--|--|--|--|
| | | | |
| | | | |
| | | | |
| | | | |



Cutter Housing Assembly No. 109-8744

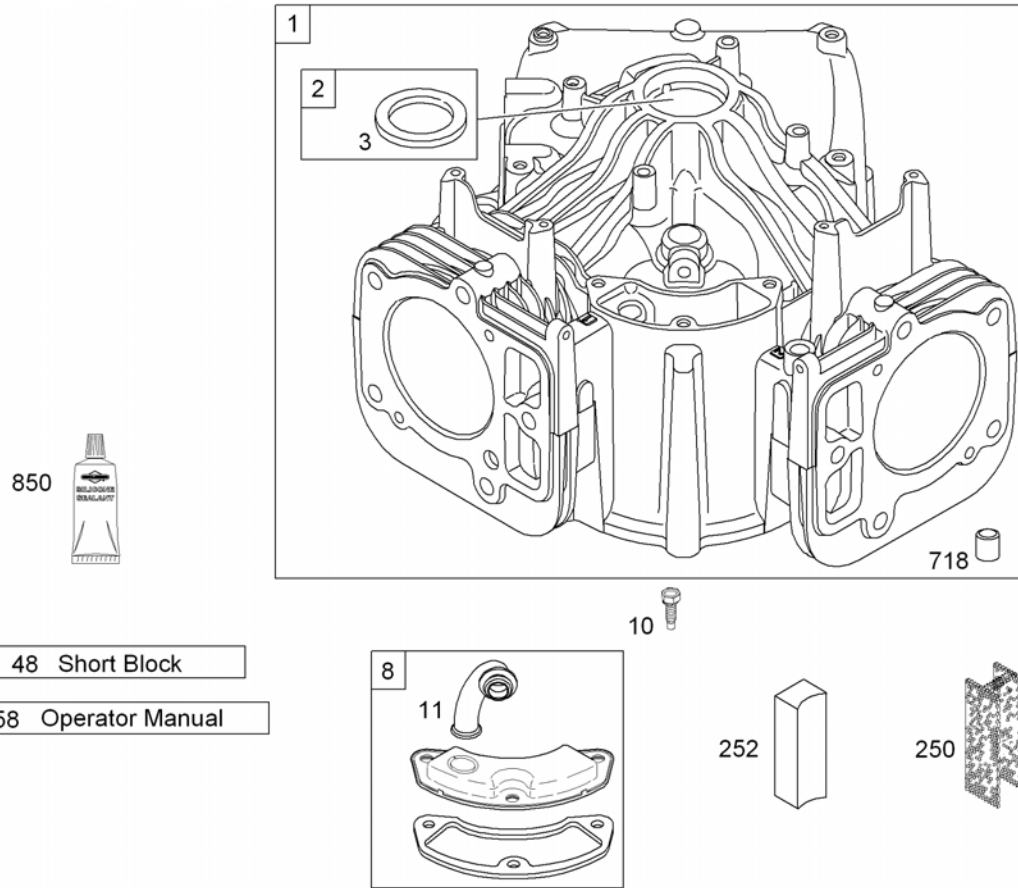
| Ref | Part No. | Qty. | Description | | | | |
|-----|----------|------|--------------------|--|--|--|--|
| 1 | 109-9380 | 1 | Cutter Housing ASM | | | | |
| 1:1 | 62-3661 | 1 | Spacer | | | | |
| 1:2 | 109-9379 | 2 | Bearing-Ball | | | | |
| 2 | 80-4380 | 1 | Spacer | | | | |
| 3 | 80-4360 | 1 | Shield-Bearing | | | | |
| 4 | 109-7431 | 1 | Spindle-Hex Pilot | | | | |
| 5 | 109-7429 | 1 | Washer-Blade Drive | | | | |
| 6 | 109-7452 | 1 | Bolt-Sems, Blade | | | | |
| 7 | 3219-6 | 1 | Nut-Hex | | | | |
| 8 | 32144-41 | 6 | Screw-Taptite | | | | |



Electrical Assembly

| Ref | Part No. | Qty. | Description |
|------|----------|------|----------------------|
| 1 | 109-8786 | 1 | Harness-Wire |
| 1:1 | 109-9186 | 1 | Diode-Tvs |
| 2 | 240-3 | 2 | Grommet-Rubber |
| 3 | 32144-1 | 3 | Screw-Taptite |
| 4 | 3296-2 | 4 | Nut-Lock |
| 5 | 1-643275 | 1 | Relay |
| 6 | 1-513075 | 1 | Switch-Solenoid |
| 6:1 | 3253-17 | 2 | Washer-Lock |
| 6:2 | 3253-4 | 2 | Washer-Lock |
| 6:3 | 3219-14 | 2 | Nut-Hex |
| 6:4 | 3220-2 | 2 | Nut-Jam |
| 7 | 3256-22 | 2 | Washer-Flat |
| 8 | 321-4 | 2 | Screw-HH |
| 9 | 46-8560 | 2 | Screw-HHF |
| 10 | 107069 | 4 | Clip |
| 11 | 109-6398 | 1 | Control Panel ASM |
| 11:2 | 109-6029 | 1 | Decal-Console |
| 12 | 3258-166 | 4 | Screw-PRH |
| 13 | 1-513374 | 1 | Meter-Hour |
| 14 | 103-5221 | 1 | Switch-PTO |
| 15 | 103-0206 | 1 | Switch-Starting, Key |
| 15:1 | 3254-5 | 1 | Washer-Tooth |
| 15:2 | 218-461 | 1 | Nut-HH |
| 16 | 103-0498 | 1 | Nut-Switch, Ignition |

| Ref | Part No. | Qty. | Description |
|------|-------------|------|----------------------------|
| 17 | 109-3987 | 1 | Control-Throttle |
| 18 | 109-8747 | 1 | Control,Choke |
| 19 | 1-807513 | 4 | Bolt-CARR |
| 20 | 104-2491 | 1 | Battery |
| 21 | 32128-33 | 2 | Nut-HF |
| 22 | 99-7408 | 1 | Switch-Reverse |
| 23 | 105-1853 | 1 | Clamp-Hose |
| 25 | 109-7653 | 1 | Positive Battery Cable ASM |
| 25:1 | 109-2407 | 1 | Insulator-Battery |
| 25:2 | 1-543393 | 1 | Insulator-Solenoid |
| 26 | 103-0705 | 1 | Cable-Ground, Negative |
| 27 | 109-9415 | 1 | Positive Starter Cable ASM |
| 29 | 110-6765 | 2 | Switch-Single Pole No |
| 31 | 103-1311-03 | 1 | Holddown-Battery |
| 33 | 1-633651 | 2 | Bolt-Holddown |
| 34 | 1-543792 | 2 | Wingnut |
| 35 | 82-2190 | 1 | Switch-Bail |
| 36 | 1-303287 | 1 | Tie-Plastic |
| 37 | 63-8360 | 1 | Key-Ignition |



48 Short Block

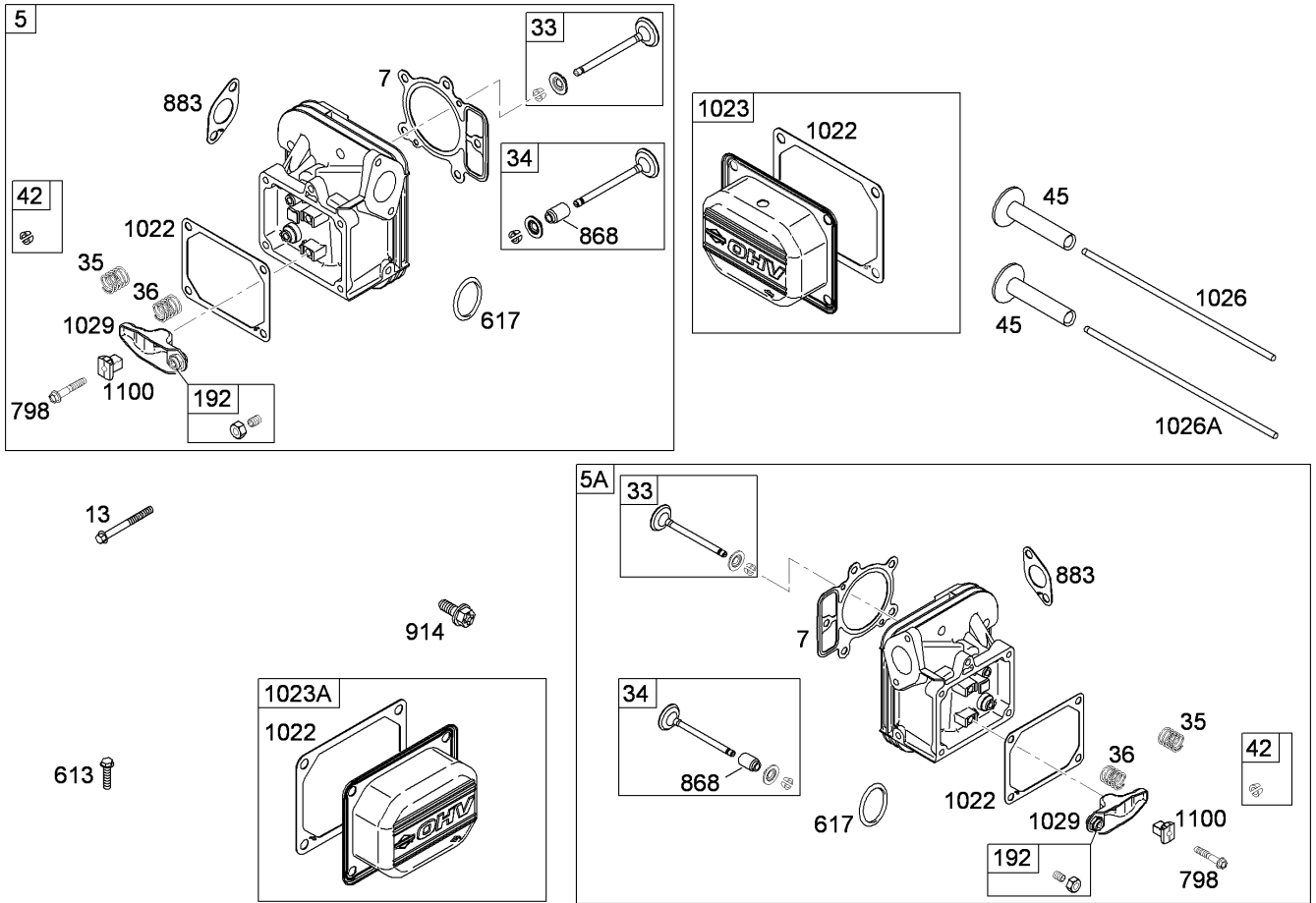
1058 Operator Manual

Assemblies include all parts shown in frames

Cylinder Assembly Briggs and Stratton 44K777-0125-G1

| Ref | Part No. | Qty. | Description |
|------|----------|------|-------------------------------------|
| 1 | 699753 | 1 | Cylinder ASM |
| 2 | 499585 | 1 | Bushing And Seal ASM (Magneto Side) |
| 3 | 391086s | 1 | Seal-Oil (Magneto Side) |
| 8 | 792185 | 1 | Breather ASM |
| 10 | 691108 | 1 | Screw (Breather ASM) |
| 11 | 792184 | 1 | Tube-Breather |
| 48 | 698172 | 1 | Short Block |
| 250 | 690957 | 1 | Retainer-Breather |
| 252 | 794389 | 1 | Collector-Oil |
| 718 | 690959 | 1 | Pin-Locating |
| 850 | 100106 | 1 | Sealant-Liquid |
| 1058 | MS3373 | 1 | Operator Manual |

| | | | |
|--|--|--|--|
| | | | |
|--|--|--|--|



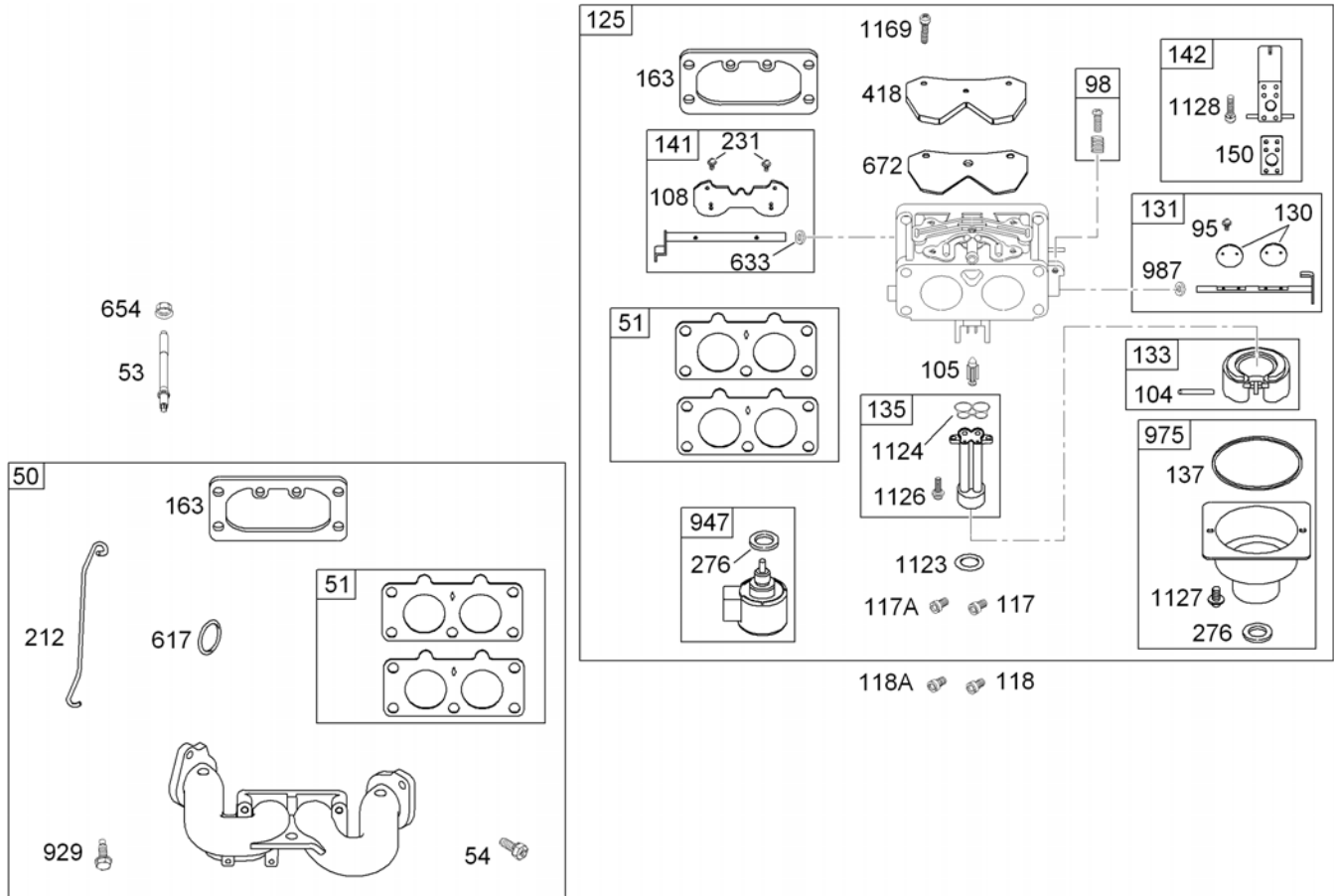
Assemblies include all parts shown in frames

Head Assembly

Briggs and Stratton 44K777-0125-G1

| Ref | Part No. | Qty. | Description |
|-------|----------|------|-------------------------------|
| 5 | 792299 | 1 | Head-Cylinder (Cylinder 1) |
| 5A | 792300 | 1 | Head-Cylinder (Cylinder 2) |
| 57 | 693997 | 1 | Gasket-Head, Cylinder |
| 6 | | | |
| 13 | 791130 | 1 | Screw (Cylinder Head) |
| 33 | 697576 | 1 | Valve-Exhaust |
| 34 | 792200 | 1 | Valve-Intake |
| 35 | 694865 | 1 | Spring-Valve (Intake) |
| 36 | 694865 | 1 | Spring-Valve (Exhaust) |
| 42 | 499586 | 1 | Keeper-Valve |
| 45 | 690977 | 1 | Tappet-Valve |
| 192 | 690083 | 1 | Adjuster-Arm, Rocker |
| 613 | 690341 | 1 | Screw (Muffler) |
| 617 | 697891 | 1 | Seal-O Ring (Intake Manifold) |
| 798 | 697890 | 1 | Screw (Rocker Arm) |
| 868 | 690968 | 1 | Seal-Valve |
| 6 | | | |
| 883 | 690970 | 1 | Gasket-Exhaust |
| 6 | | | |
| 914 | 691127 | 1 | Screw (Rocker Cover) |
| 1022 | 690971 | 1 | Gasket-Cover, Rocker |
| 6 | | | |
| 1023 | 793146 | 1 | Cover-Rocker (Cylinder 1) |
| 1023A | 499600 | 1 | Cover-Rocker (Cylinder 2) |
| 1026 | 690981 | 1 | Rod-Push (Steel) |

| Ref | Part No. | Qty. | Description |
|-------|----------|------|---------------------|
| 1026A | 690982 | 1 | Rod-Push (Aluminum) |
| 1029 | 690972 | 1 | Arm-Rocker |
| 1100 | 791959 | 1 | Pivot-Arm, Rocker |

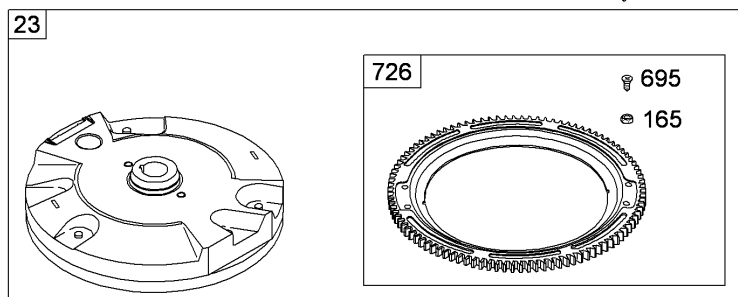
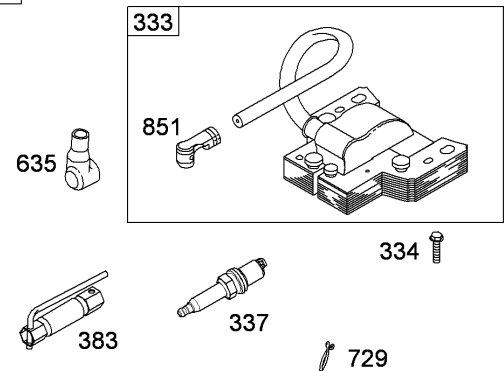
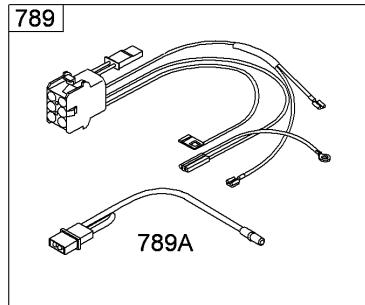
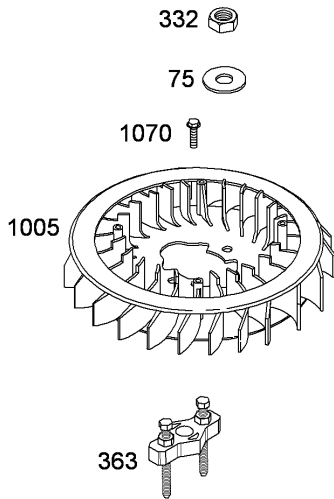
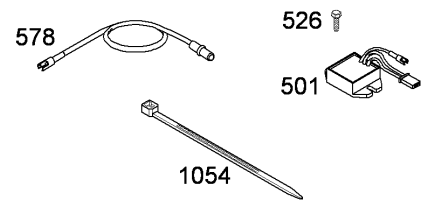
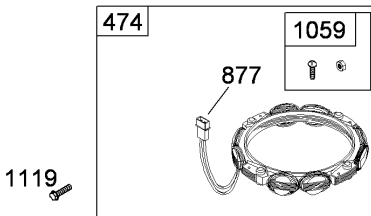
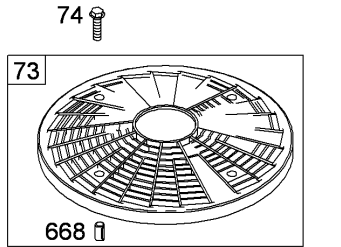


Assemblies include all parts shown in frames

Carburetor Assembly Briggs and Stratton 44K777-0125-G1

| Ref | Part No. | Qty. | Description |
|-------|----------|------|---------------------------------|
| ⑤50 | 695241 | 1 | Manifold-Intake |
| ⑤⑤51 | 791677 | 1 | Gasket-Intake |
| ⑤53 | 690951 | 1 | Stud (Carburetor) |
| ⑤54 | 699816 | 1 | Screw (Intake Manifold) |
| ⑤95 | 690718 | 1 | Screw (Throttle Valve) |
| ⑤98 | 699721 | 1 | Idle Speed Kit |
| ⑤④104 | 694918 | 1 | Pin-Hinge, Float |
| ⑤④105 | 698537 | 1 | Valve-Needle, Float |
| ⑤108 | 699723 | 1 | Valve-Choke |
| ⑤117 | 792296 | 1 | Jet-Main (Standard, Left) |
| ⑤117A | 842627 | 1 | Jet-Main (Standard, Right) |
| ⑤118 | 699457 | 1 | Jet-Main (High Altitude, Left) |
| ⑤118A | 699733 | 1 | Jet-Main (High Altitude, Right) |
| ⑤125 | 792295 | 1 | Carburetor |
| ⑤130 | 690993 | 1 | Valve-Throttle |
| ⑤131 | 699722 | 1 | Throttle Shaft Kit |
| ⑤133 | 699724 | 1 | Float-Carburetor |
| ⑤135 | 699729 | 1 | Tube-Transfer, Fuel |
| ⑤④137 | 690994 | 1 | Gasket-Bowl, Float |
| ⑤141 | 699722 | 1 | Throttle Shaft Kit |
| ⑤142 | 699726 | 1 | Nozzle-Carburetor |
| ⑤④150 | 690995 | 1 | Gasket-Nozzle |
| ⑤⑤163 | 691001 | 1 | Gasket-Cleaner, Air |

| Ref | Part No. | Qty. | Description |
|--------|----------|------|----------------------------------|
| ⑤212 | 695238 | 1 | Link-Throttle |
| ⑤231 | 690718 | 1 | Screw (Choke Valve) |
| ⑤⑤276 | 695410 | 1 | Washer-Sealing |
| ⑤418 | 690999 | 1 | Plate-Cover, Carburetor |
| ⑤617 | 697891 | 1 | Seal-O Ring (Intake Manifold) |
| ⑤④633 | 690998 | 1 | Seal-Shaft, Choke |
| ⑤654 | 690958 | 1 | Nut (Carburetor) |
| ⑤④672 | 690234 | 1 | Gasket-Cover Plate, Carburetor |
| ⑤929 | 695239 | 1 | Screw (Choke Control Bracket) |
| ⑤947 | 841546 | 1 | Solenoid-Fuel |
| ⑤975 | 791232 | 1 | Bowl-Float |
| ⑤④987 | 691000 | 1 | Seal-Shaft, Throttle |
| ⑤④1123 | 841653 | 1 | Seal-O Ring (Solenoid Retainer) |
| ⑤④1124 | 690988 | 1 | Seal-O Ring (Fuel Transfer Tube) |
| ⑤1126 | 690991 | 1 | Screw (Fuel Transfer Tube) |
| ⑤1127 | 695407 | 1 | Screw (Float Bowl) |
| ⑤1128 | 690990 | 1 | Screw (Carburetor Nozzle) |
| ⑤1169 | 690990 | 1 | Screw (Carburetor Cover Plate) |



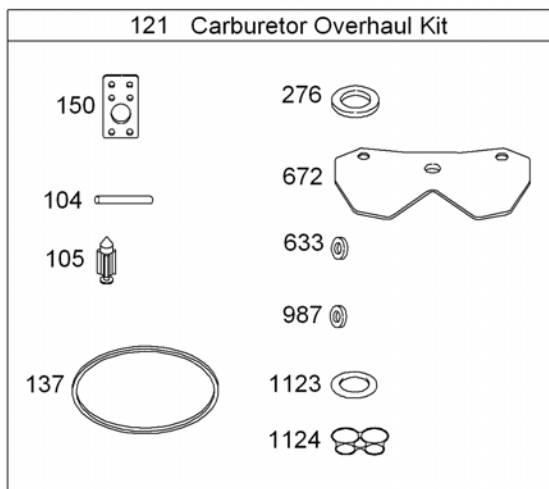
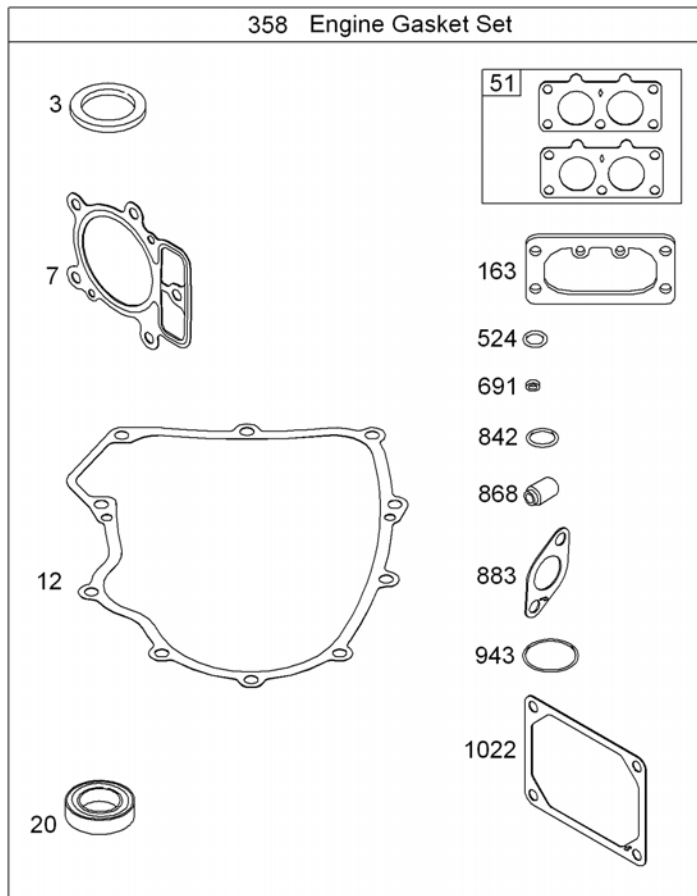
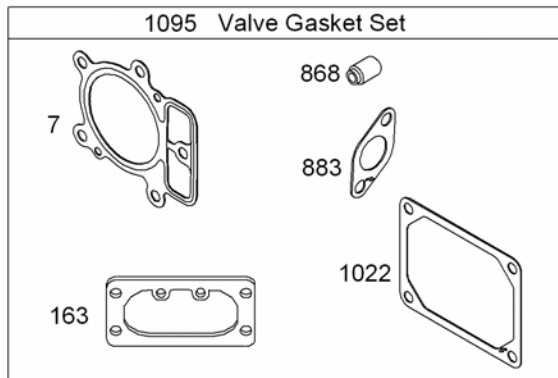
1036 Emissions Label

Assemblies include all parts shown in frames

Flywheel Assembly Briggs and Stratton 44K777-0125-G1

| Ref | Part No. | Qty. | Description |
|------|----------|------|----------------------------|
| 23 | 691053 | 1 | Flywheel |
| 73 | 494439 | 1 | Screen-Rotating |
| 74 | 698425 | 1 | Screw (Rotating Screen) |
| 75 | 691056 | 1 | Washer (Flywheel) |
| 165 | 693148 | 1 | Nut (Ring Gear) |
| 332 | 691059 | 1 | Nut (Flywheel) |
| 333 | 691060 | 1 | Armature-Magneto |
| 334 | 691061 | 1 | Screw (Magneto Armature) |
| 337 | 792015 | 1 | Plug-Spark |
| 363 | 19203 | 1 | Puller-Flywheel |
| 383 | 19374s | 1 | Wrench-Spark Plug |
| 474 | 696458 | 1 | Alternator |
| 501 | 691185 | 1 | Regulator |
| 526 | 691108 | 1 | Screw (Regulator) |
| 578 | 691208 | 1 | Wire ASM |
| 635 | 66538s | 1 | Boot-Spark Plug |
| 668 | 691500 | 1 | Spacer |
| 695 | 693149 | 1 | Screw (Ring Gear) |
| 726 | 499612 | 1 | Gear-Ring |
| 729 | 694123 | 1 | Clip-Wire |
| 789 | 698330 | 1 | Harness-Wiring |
| 789A | 790544 | 1 | Harness-Wiring |
| 851 | 493880s | 1 | Terminal-Spark Plug |
| 877 | 399916 | 1 | Connector-Wire, Alternator |

| Ref | Part No. | Qty. | Description |
|------|----------|------|----------------------|
| 1005 | 791236 | 1 | Fan-Flywheel |
| 1036 | | 1 | Label-Emissions |
| 1054 | 280275 | 1 | Tie-Cable |
| 1059 | 698516 | 1 | Screw And Washer Kit |
| 1070 | 690372 | 1 | Screw (Flywheel Fan) |
| 1119 | 691183 | 1 | Screw (Alternator) |



Assemblies include all parts shown in frames

Engine Gaskets and Carburetor Overhaul Kit Briggs and Stratton 44K777-0125-G1

| Ref | Part No. | Qty. | Description |
|-------|----------|------|--------------------------------|
| 353 | 391086s | 1 | Seal-Oil (Magneto Side) |
| 357 | 693997 | 1 | Gasket-Head, Cylinder |
| 6 | | | |
| 3512 | 697227 | 1 | Gasket-Crankcase |
| 3520 | 795387 | 1 | Seal-Oil (PTO Side) |
| 3551 | 791677 | 1 | Gasket-Intake |
| 34104 | 694918 | 1 | Pin-Hinge, Float |
| 34105 | 698537 | 1 | Valve-Needle, Float |
| 3121 | 792455 | 1 | Carburetor Overhaul Kit |
| 34137 | 690994 | 1 | Gasket-Bowl, Float |
| 34150 | 690995 | 1 | Gasket-Nozzle |
| 35163 | 691001 | 1 | Gasket-Cleaner, Air |
| 6 | | | |
| 34276 | 695410 | 1 | Washer-Sealing |
| 3358 | 694012 | 1 | Engine Gasket Set |
| 35524 | 691032 | 1 | Seal-O Ring (Dipstick Tube) |
| 34633 | 690998 | 1 | Seal-Shaft, Choke |
| 34672 | 690234 | 1 | Gasket-Cover Plate, Carburetor |
| 34987 | 691000 | 1 | Seal-Shaft, Throttle |
| 35691 | 790574 | 1 | Seal-Shaft, Governor |
| 35842 | 691031 | 1 | Seal-O Ring (Dipstick) |
| 35868 | 690968 | 1 | Seal-Valve |
| 6 | | | |
| 35883 | 690970 | 1 | Gasket-Exhaust |
| 6 | | | |

| Ref | Part No. | Qty. | Description |
|--------|----------|------|----------------------------------|
| 35943 | 690589 | 1 | Seal-O Ring (Oil Pump Cover) |
| 351022 | 690971 | 1 | Gasket-Cover, Rocker |
| 6 | | | |
| 31095 | 694013 | 1 | Valve Gasket Set |
| 341123 | 841653 | 1 | Seal-O Ring (Solenoid Retainer) |
| 341124 | 690988 | 1 | Seal-O Ring (Fuel Transfer Tube) |

Attachments and Accessories

For 74812 - TITAN Z4800 Zero-Turn-Radius Riding Mower

| Product Name | Model/Part |
|----------------------------------|------------|
| 48 Inch Bagging Blade Kit | 79141 |
| 48 Inch Mulching Kit | 79154 |
| Z Sunshade | 79157 |
| Z Light Kit | 79158 |
| 48 Inch and 52 Inch Bagger | 79171 |

NOTES

NOTES

