



Workman[®] MDX Utility Vehicle

Model No. 07273 - 290000001 and up.

Parts Catalog

Ordering Replacement Parts

To order replacement parts, please supply the part number, the quantity, and the description of each part desired.

Understanding Reference Numbers

Each identified part in an illustration has a reference number. The reference number for a part also appears in the parts list, along with other information about the part.

This catalog uses two special reference number formats, one to indicate parts in a service assembly and another to indicate the quantity of a given part in an illustration.

Service Assembly Reference Numbers

Parts in service assemblies have reference numbers in the form a:b. The a represents the reference number of the entire service assembly and the b represents a sequential number unique to each part within the service assembly.

For example, a wheel assembly might be identified by reference number 6, the tire by 6:1, the valve by 6:2, and the wheel by 6:3. When you order the assembly identified by reference number 6, you receive all parts identified by reference numbers 6:1, 6:2, and 6:3. However, you may also order any part individually. Reference numbers of this type appear in illustrations and in part lists.

Reference Numbers Indicating Quantity

In an illustration, if a reference number indicates more than one part, the reference number has the form nX y. The n represents the quantity of the part, the X is the multiplication symbol, and the y represents the reference number.

For example, in an illustration, the reference number 2X 37 means that two of the parts identified by reference number 37 are indicated.

Contents

Description	Page	Description	Page
Dash Assembly 3	Frame Assembly 26
Pedal Box Assembly 5	Master Cylinder and Brake Line Assembly 27
Shifter Assembly 6	Master Cylinder Assembly No. 104-6782 28
Front Frame Assembly 7	Cylinder Assembly Briggs and Stratton 295440-0153-G1 29
Seat Base Assembly 8	Cylinder Head Assembly Briggs and Stratton 295440-0153-G1 30
Front Tire, Spindle and Tie Rod Assembly 9	Crankshaft and Piston/Ring Assembly Briggs and Stratton 295440-0153-G1 31
Engine and Clutch Assembly 10	Crankcase Cover/Sump Assembly Briggs and Stratton 295440-0153-G1 32
Drive Clutch Assembly No. 108-7013 11	Carburetor and Fuel Pump Assembly Briggs and Stratton 295440-0153-G1 33
Starter Generator Assembly No. 99-7108 12	Governor Control Assembly Briggs and Stratton 295440-0153-G1 34
Rear Tire and Transaxle Assembly 13	Blower Housing, Flywheel and Air Guide Assembly Briggs and Stratton 295440-0153- G1 35
Transaxle Assembly No. 115-2301 14	Intake Manifold Assembly Briggs and Stratton 295440-0153-G1 36
Driven Clutch Assembly No. 99-7104 16	Engine Gasket and Carburetor Overhaul Kit Briggs and Stratton 295440-0153-G1 37
LH Rear Brake Assembly No. 114-8332 17	Attachments and Accessories List 38
RH Rear Brake Assembly No. 114-8331 18		
Oil Filter and Air Cleaner Assembly 19		
Air Cleaner Assembly No. 99-7120 20		
Upper Steering Assembly 21		
Steering Box Assembly No. 112-3130 22		
Box and Tailgate Installation Assembly 23		
Box and Tailgate Assembly 24		
Hood and Fender Assembly 25		

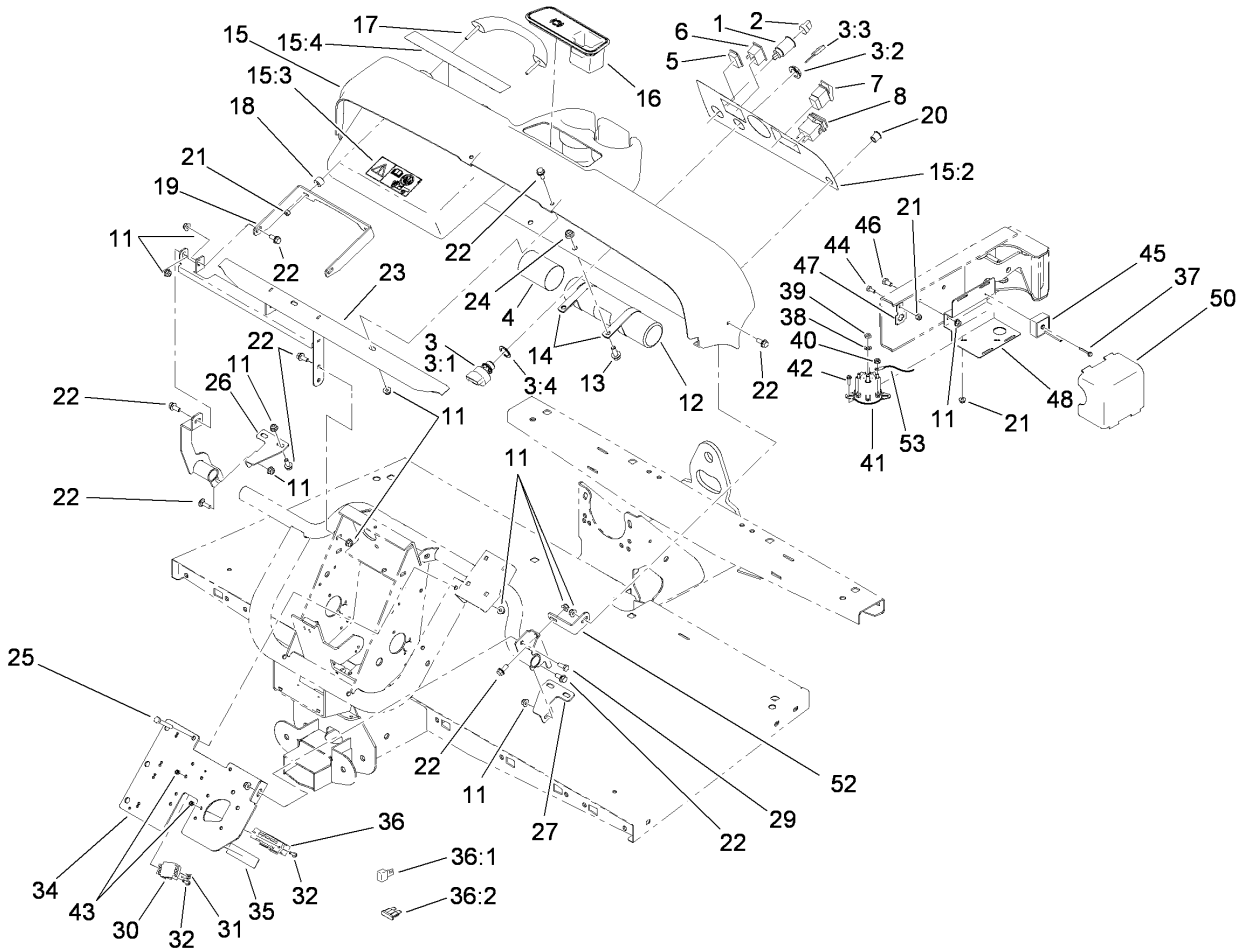
Part Description Abbreviations

Part descriptions in this catalog may include the following abbreviations.

AR. as required	HYD. hydraulic
ASM. assembly	LH. left hand
BBC. blade brake clutch	NI. nylon insert
CARR. carriage	NPTF. national pipe thread fine
DEG. degrees	PFH. phillips flat head
EXT. external	PPH. phillips pan head
FH. flat head	PPHTF. phillips pan head thread forming
GA. gauge	PRH. phillips round head
HD. heavy-duty	PTH. phillips truss head
HF. hex flange	PTO. power-take-off
HH. hex head	RH. right hand
HHF. hex head flange	ROPS. roll-over protection system
HHFTF. hex head flange thread forming	SFH. slotted fillister head
HJ. hex jam	SHH. slotted hex head
HLH. hex lag head	SHWH. slotted hex washer head
HOC. height-of-cut	SPH. slotted pan head
HSBH. hex socket button head	SQH. square head
HSFH. hex socket flat head	SRH. slotted round head
HSH. hex socket head	STD. standard
HWH. hex washer head	TAP. self tapping
HWHTF. hex washer head thread forming	TTH. torx truss head

Footnotes

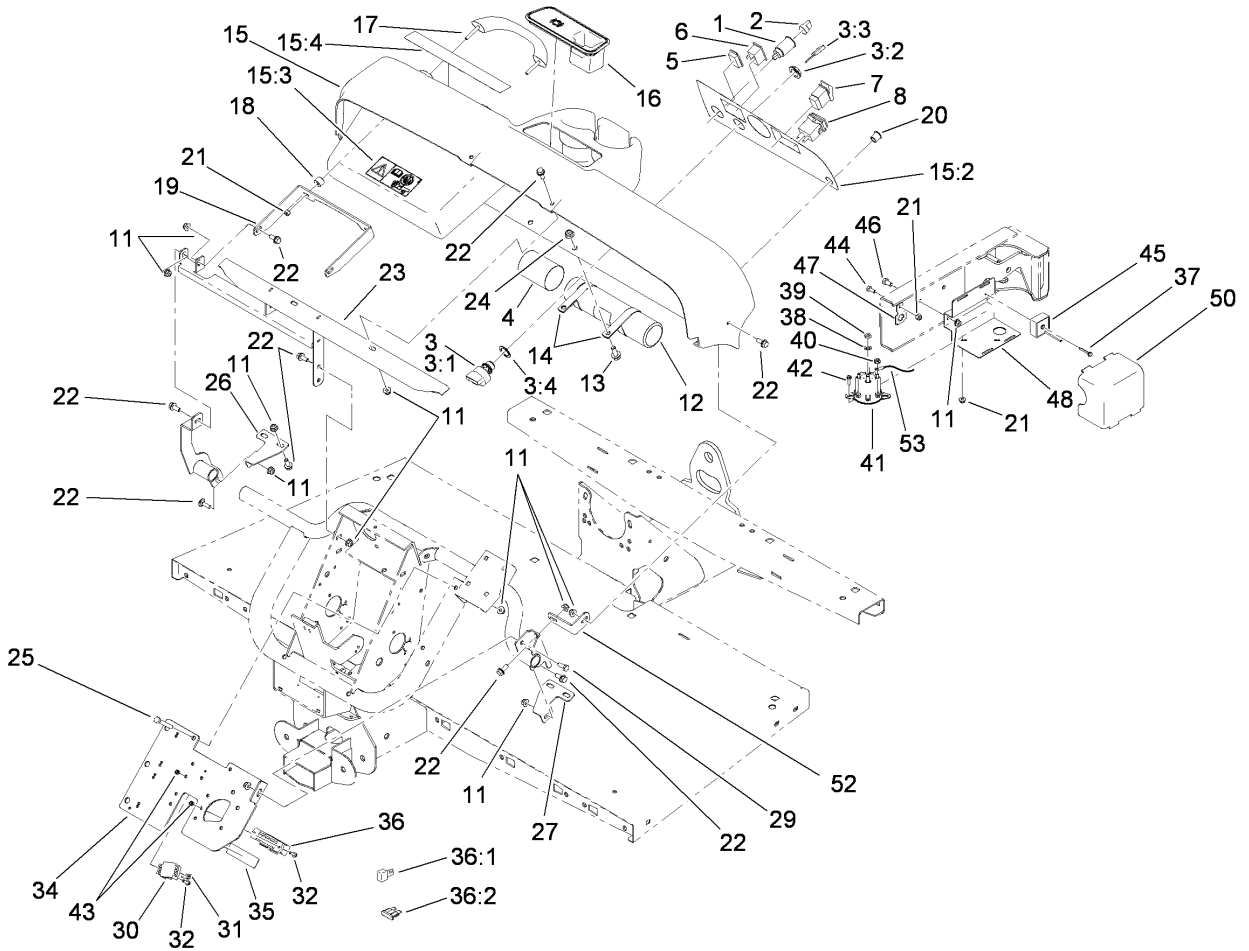
- | | |
|--|---|
| ❶ Not serviced separately | ❷ Obtain from your local Briggs & Stratton dealer |
| ❸ Included in Carburetor Overhaul Kit (Ref. No. 121) | ❹ Included in Engine Gasket Set (Ref. No. 358) |
| ❺ Included in Valve Gasket Set (Ref. No. 1095) | |



Dash Assembly

Ref	Part No.	Qty.	Description
1	99-7411	1	Point-Power
2	99-7416	1	Cap
3	112-3323	1	Ignition Switch ASM
3:1		1	Switch-Ignition
3:2	108-8660	1	Nut-Mounting
3:3	99-7418	1	Key-Ignition
3:4	108-8659	1	Washer-Backup
4	104-7048	1	Cap-Housing
5	99-7420	1	Plug-Hole
6	99-7410	1	Indicator-Light, Low-Oil Pressure
7	95-8999	1	Switch
8	94-4208	1	Hourmeter
11	104-8300	20	Nut-Flange, NI
12	104-7050	1	Housing-Manual
13	3234-11	2	Screw-HHF
14	2412-133	2	R-Clamp
15	114-8310	1	Dash ASM
15:2	112-3312	1	Decal-Panel, Control (Ce)
15:3	104-6581	1	Decal-Danger
15:4	115-2412	1	Decal-No Storage
16	104-6930	1	Plug-Rubber
17	112-3320	1	Handle-Grip
18	114-8301	2	Spacer
19	112-3391-03	1	Bracket-Grip, Handle

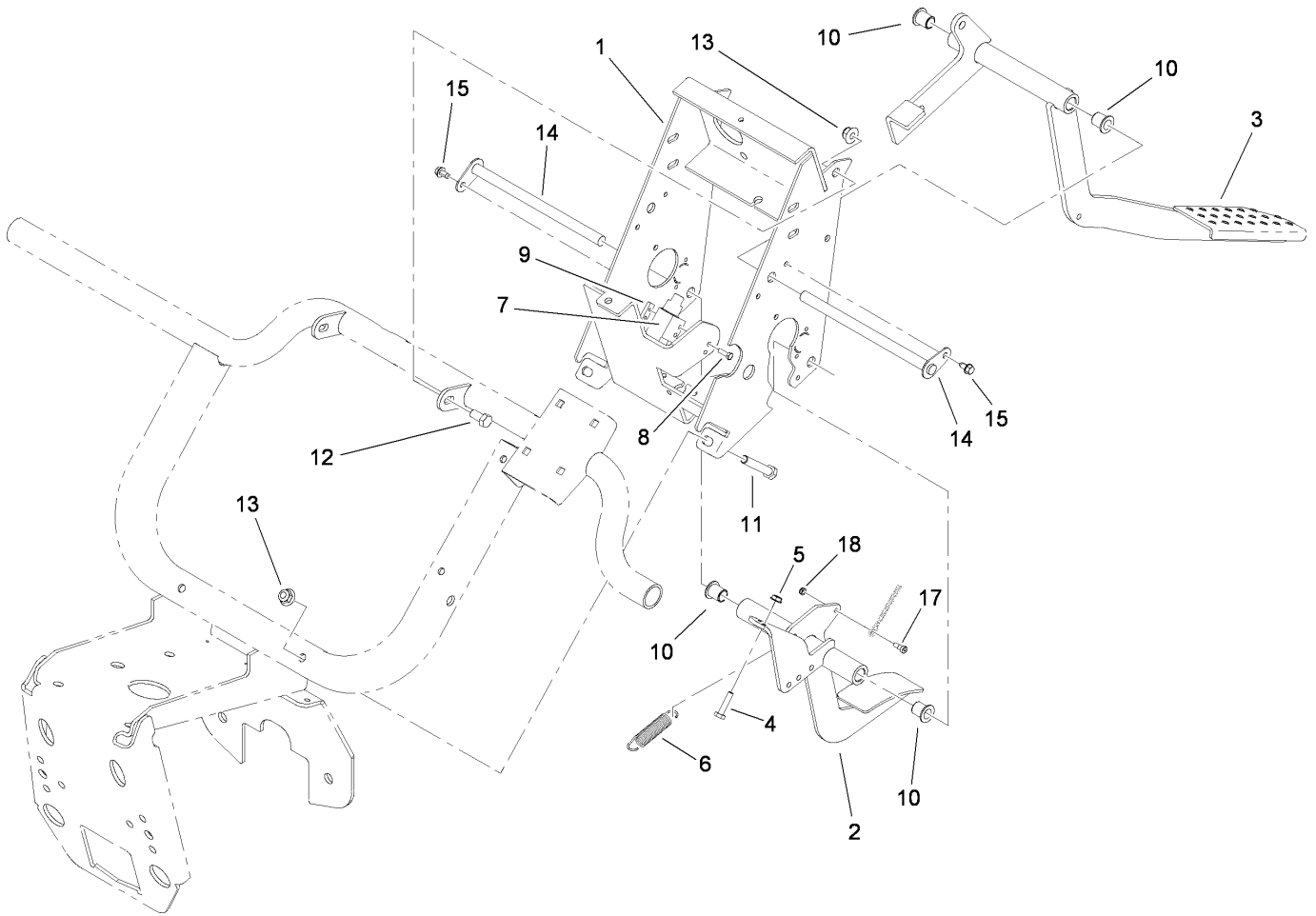
Ref	Part No.	Qty.	Description
20	94-5627	1	Plug
21	104-7201	5	Nut-HF
22	110-5053	15	Screw-Flange
23	115-7651-03	1	Dash Support ASM
24	104-8301	2	Nut-Flange, NI
25	322-11	2	Screw-HH
26	114-8304	1	Bracket-Dash Mount, RH
27	114-8312	1	Bracket-Dash Mount, LH
29	322-3	1	Screw-HH
30	42862	1	Block-Terminal, Ground
31	42863	1	Strip-Jumper
32	32105-13	4	Screw-HWH
34	112-3376-03	1	Plate-Mount, Electrical
35	112-3325	1	Decal-Block, Fuse
36	115-8137	1	Harness-Wire, Main
36:1	100-4918	1	Diode
36:2	218-578	3	Fuse-10 Amp
37	100-4352	1	Screw-HWH
38	3255-8	2	Washer-Lock
39	3220-2	2	Nut-Jam
40	32149-8	2	Nut-Keps
41	114-3315	1	Solenoid-12 Vdc
42	3234-33	2	Screw-HHF
43	3296-2	4	Nut-Lock



Dash Assembly (continued)

Ref	Part No.	Qty.	Description
44	321-3	1	Screw-HH
45	104-6927	1	Regulator
46	322-2	2	Screw-HH
47	114-5502	1	Clip-Fuse
48	112-3025-03	1	Mount-Component
50	112-3027	1	Cover-Controller
52	114-8305	1	Angle-Mount, Dash (LH)
53	112-3537	1	Cable-Battery, Positive

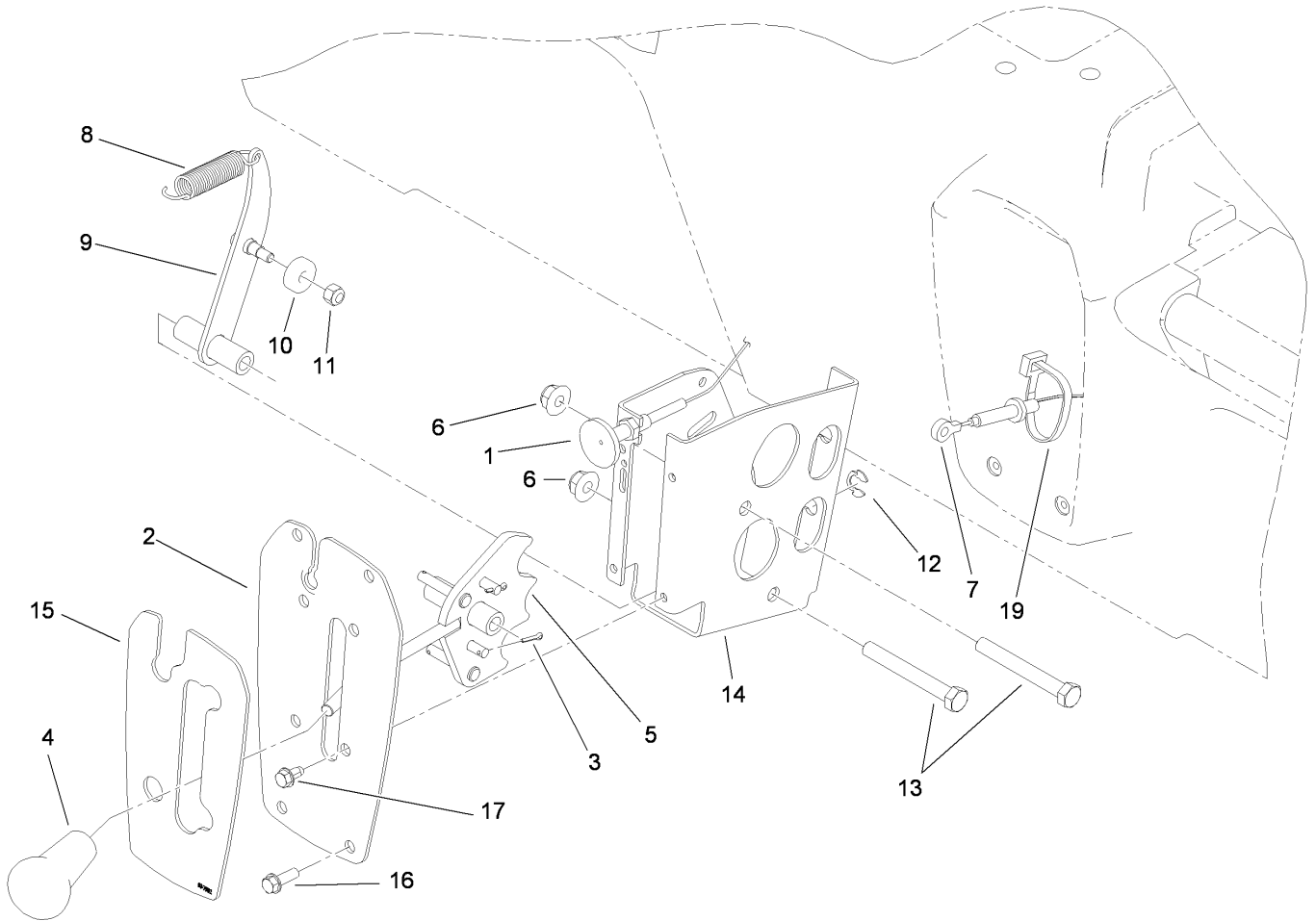
--	--	--	--



Pedal Box Assembly

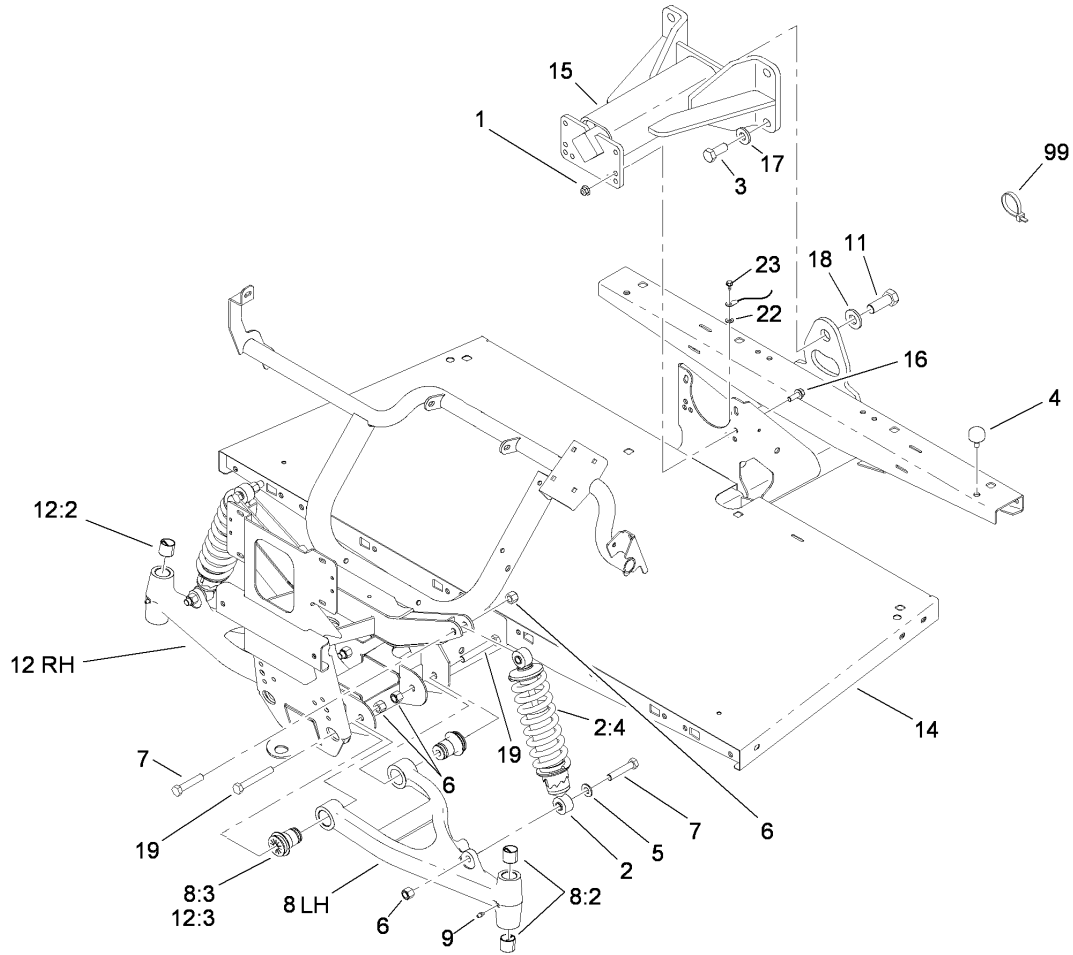
Ref	Part No.	Qty.	Description
1	112-3317-03	1	Pedal Support Frame ASM
2	115-7630-03	1	Throttle Pedal ASM
3	112-3314-03	1	Brake Pedal ASM
4	321-7	2	Screw-HH
5	32149-2	2	Nut-Keps
6	104-6415	1	Spring-Return, Pedal
7	99-7407	1	Switch
8	3290-134	2	Screw
9	1-633181	1	Plate-Tapped
10	256-155	4	Bushing-Flange
11	323-11	2	Screw-HH
12	323-4	2	Screw-HH
13	104-8301	4	Nut-Flange, NI
14	104-7164	2	Pivot-Pedal
15	12-3270	2	Screw
17	115-7632	1	Bolt-Shoulder
18	3296-47	1	Nut-Lock, NI

--	--	--	--



Shifter Assembly

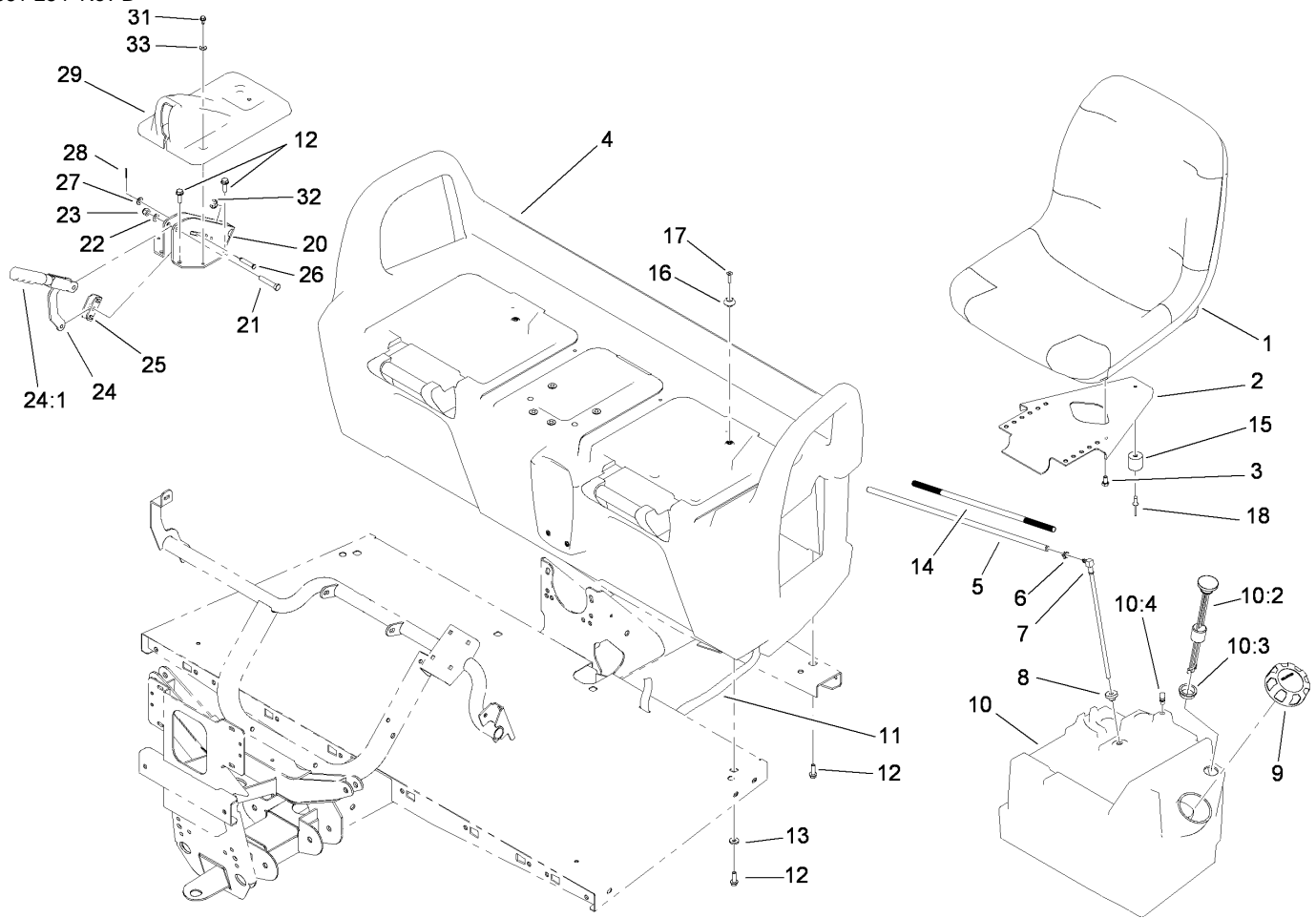
Ref	Part No.	Qty.	Description
1	99-7111	1	Cable-Choke
2	99-7887-03	1	Plate-Shifter
3	3272-5	2	Pin-Cotter
4	99-7981	1	Knob-Grip, Soft
5	112-3378	1	Shifter-Plate
6	104-8301	2	Nut-Flange, NI
7	114-8323	2	Cable-Shift
8	104-6415	1	Spring-Return, Pedal
9	108-3138	1	Arm-Detent
10	251-307	1	Bearing-Ball
11	3296-42	1	Nut-Lock, NI
12	32151-101	2	E-Ring
13	323-14	2	Screw-HH
14	108-3141-03	1	Bracket-Shift
15	99-7952	1	Decal-Shifter
16	32105-15	4	Screw
17	12-3270	4	Screw
19	3290-378	1	Tie-Cable



Front Frame Assembly

Ref	Part No.	Qty.	Description
1	104-8301	4	Nut-Flange, NI
2	112-2975	2	Shock/Spring ASM
2:4	112-3383	1	Spring
3	327-4	4	Screw-HH
4	87-2440	1	Bumper-Rubber
5	3256-26	2	Washer-Flat
6	3296-23	8	Nut-Lock, NI
7	325-10	4	Screw-HH
8	114-8313	1	LH A-Arm ASM
8:2	3-0348	2	Bushing
8:3	87-1450	2	Bushing-Flange
9	302-5	2	Fitting-Grease
11	328-24	1	Screw-HH
12	114-8314	1	RH A-Arm ASM
12:2	3-0348	2	Bushing
12:3	87-1450	2	Bushing-Flange
14	112-3340-03	1	Front Frame ASM
15	99-7700	1	Pivot Yoke ASM
16	3234-11	4	Screw-HHF
17	99-7667	4	Washer-Flat
18	87-3060	1	Washer-Hardened
19	325-14	4	Screw-HH
22	3254-16	1	Washer-Lock/Int
23	12-3270	1	Screw

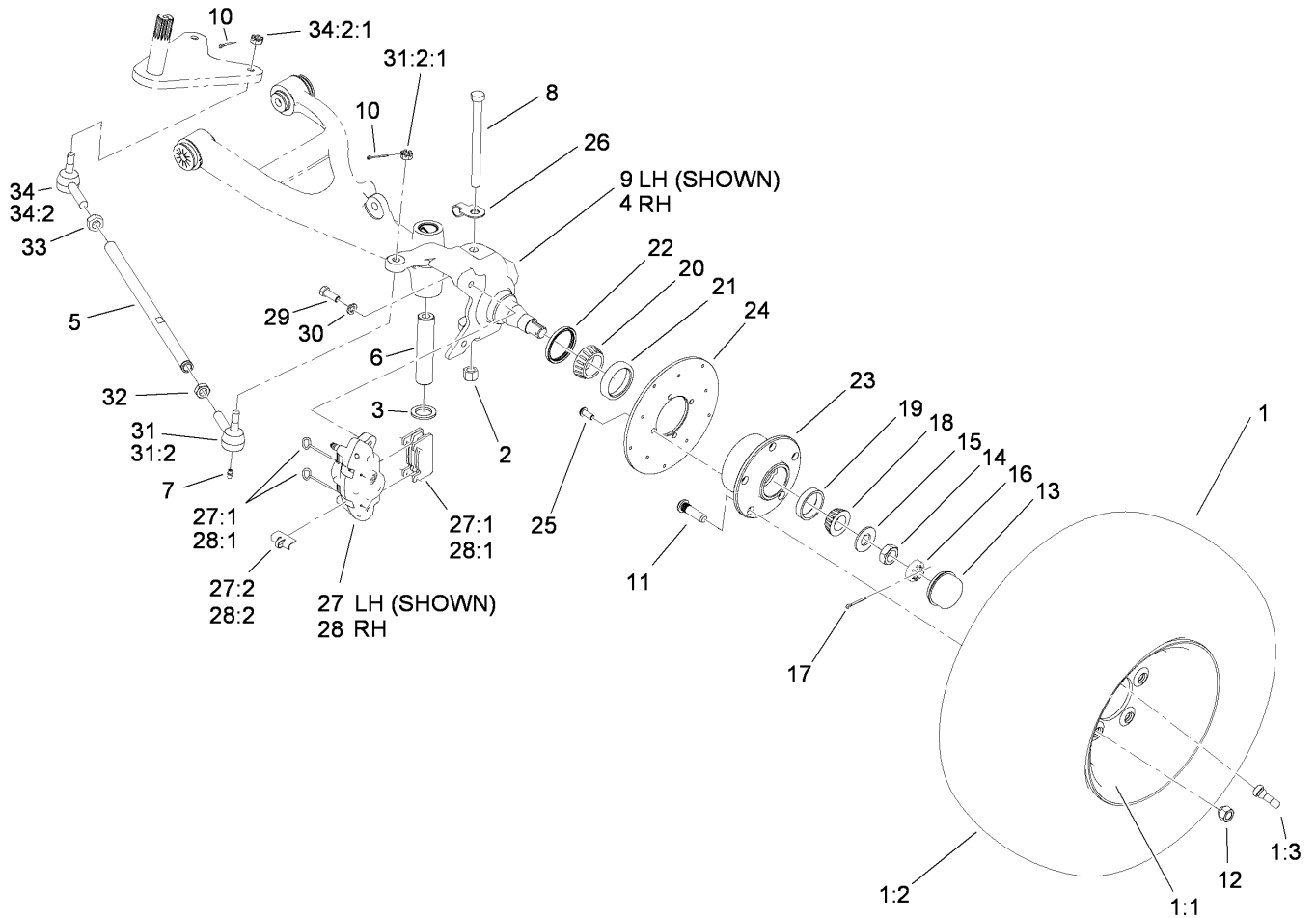
Ref	Part No.	Qty.	Description
99	3290-379	12	Tie-Cable



Seat Base Assembly

Ref	Part No.	Qty.	Description
1	112-2923	2	Seat ASM
2	99-7829	2	Bracket-Seat
3	33114-016	8	Screw-HH
4	104-6847	1	Seat Base ASM
5	110-4103	1	Hose-Fuel
6	2412-98	1	Clamp
7	99-7264	1	Pipe-Stand
8	46-6560	1	Bushing
9	95-4192	1	Unleaded Gas Cap ASM
10	99-7323	1	Fuel Tank ASM
10:2	99-7262	1	Gauge-Fuel
10:3	95-8972	1	Grommet
10:4	99-7267	1	Vent-Air
11	3339-175	1	Strapping-Web, 48 Inch
12	3234-17	12	Screw-HHF
13	88-7200	8	Washer-Flat
14	112-3337	1	Conduit-Line, Fuel
15	99-7830	2	Rubber Receptical ASM
16	99-7833	2	Post-Holding
17	32108-5	2	Screw-FH
18	3290-412	2	Rivet
20	104-6844-03	1	Support-Brake, Park
21	323-10	1	Screw-HH
22	3290-477	1	Washer-Curved

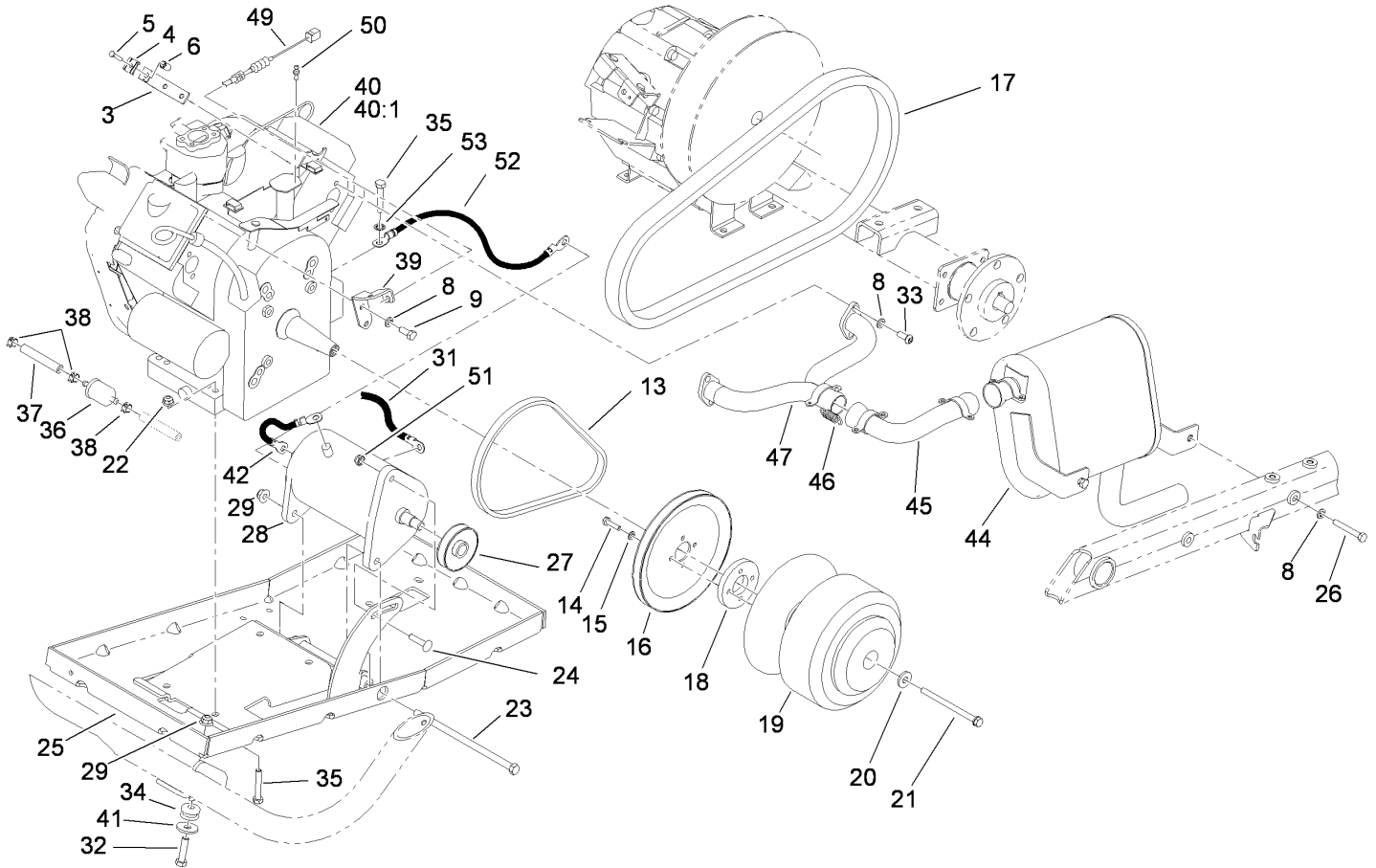
Ref	Part No.	Qty.	Description
23	3296-39	1	Nut-Lock, NI
24	104-6842	1	Lever-Brake, Park
24:1	106-7972	1	Grip-Handle
25	87-3480	1	Bracket-Equalizer, Cable
26	94-3829	1	Pin-Clevis
27	3256-23	1	Washer-Flat
28	3272-6	1	Pin-Cotter
29	104-7014	1	Cover-Brake, Parking
31	12-3270	2	Screw
32	32120-47	2	Ring-Retaining, External
33	3256-1	2	Washer-Flat



Front Tire, Spindle and Tie Rod Assembly

Ref	Part No.	Qty.	Description
1	104-7290	2	Tire And Wheel ASM
1:1	104-7288	1	Wheel
1:2	104-7289	1	Tire
1:3	232-27	1	Stem-Valve
2	3296-23	2	Nut-Lock, NI
3	256-115	2	Washer-Thrust
4	112-3167	1	Spindle-RH
5	115-7654	2	Tie Rod
6	99-7499	2	Sleeve-Kingpin
7	302-5	4	Fitting-Grease
8	325-20	2	Screw-HH
9	112-3166	1	Spindle-LH
10	3272-7	4	Pin-Cotter
11	10-6830	10	Stud-Type, Drive
12	242-50	10	Nut-Lug
13	241-119	2	Cap-Dust
14	3220-7	2	Nut-Jam
15	93-0309	2	Washer-Tab
16	93-0307	2	Nut-Lock, Retainer
17	3272-12	2	Pin-Cotter
18	254-94	2	Bearing-Cone, Tapered
19	254-72	2	Bearing-Cup, Tapered
20	254-106	2	Cone-Bearing, Tapered
21	254-107	2	Cup-Bearing, Tapered

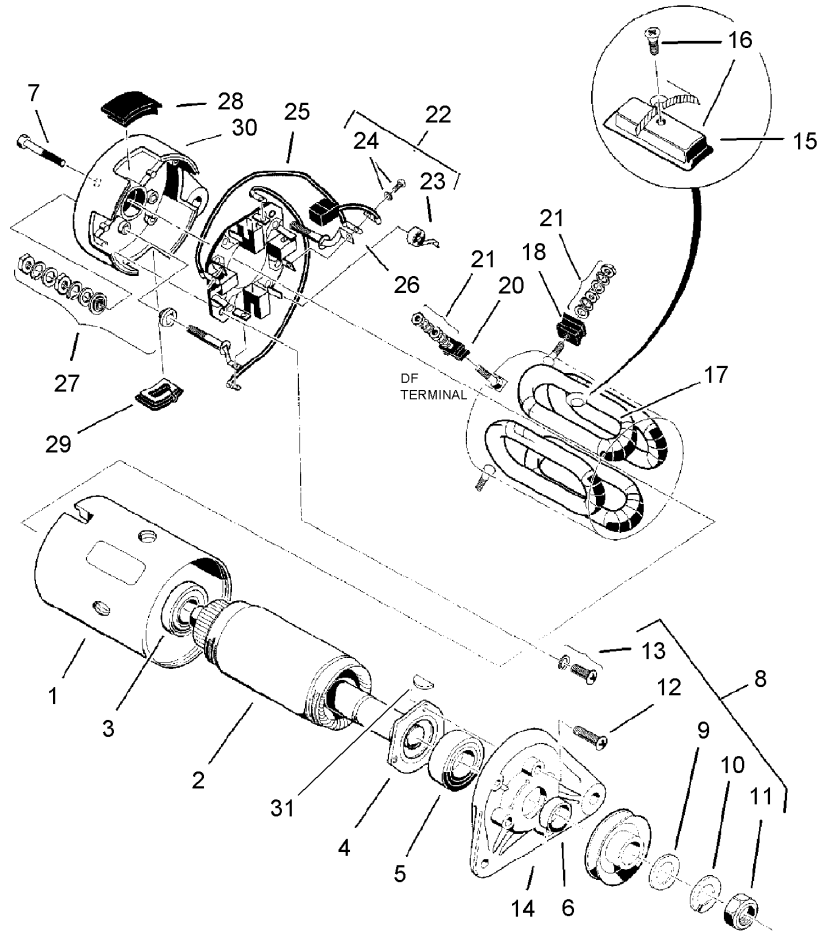
Ref	Part No.	Qty.	Description
22	108-7019	2	Seal-Shaft
23	104-6809	2	Hub
24	104-6891	2	Rotor
25	3274-55	8	Screw-HSBH
26	112-3311	2	Clip-Hose
27	112-3150	1	Caliper-LH
27:1	107-0708	1	Friction Pad And Pin Kit
27:2	112-3152	1	Spring-Rattle, Anti
28	112-3151	1	Caliper-RH
28:1	107-0708	1	Friction Pad And Pin Kit
28:2	112-3152	1	Spring-Rattle, Anti
29	323-6	4	Screw-HH
30	3253-21	4	Washer-Lock
31	112771-03	2	LH Ball Joint ASM
● 31:2		1	Joint-Ball, LH
31:2:1	915031	1	Nut
32	3218-21	2	Nut-Jam
33	3220-11	2	Nut-Jam
34	112772-03	2	RH Ball Joint ASM
● 34:2		1	Joint-Ball, RH
34:2:1	915031	1	Nut



Engine and Clutch Assembly

Ref	Part No.	Qty.	Description
3	107-0319	1	Bracket-Cable
4	81-1690	1	Clamp-Cable
5	3290-432	1	Screw-HH
6	32148-14	1	Insert-Threaded
8	3253-4	8	Washer-Lock
9	66-3160	2	Screw-Cap
13	112-2911	1	Belt-Starter
14	321-6	4	Screw-HH
15	3253-3	4	Washer-Lock
16	99-7131	1	Pulley-Engine
17	112-2912	1	Belt-Drive
18	99-7064	1	Spacer-Starter
19	108-7013	1	Clutch-Drive
20	5-0838	1	Washer
21	99-7201	1	Screw-HH
22	104-8300	4	Nut-Flange, NI
23	323-30	1	Screw-HH
24	112-6950	1	Screw-CARR
25	112-3239-03	1	Engine Tray ASM
26	322-11	2	Screw-HH
27	99-7130	1	Pulley-Starter
28	99-7108	1	Generator-Starter
29	104-8301	3	Nut-Flange, NI
31	115-8109	1	Harness-Wire, Engine

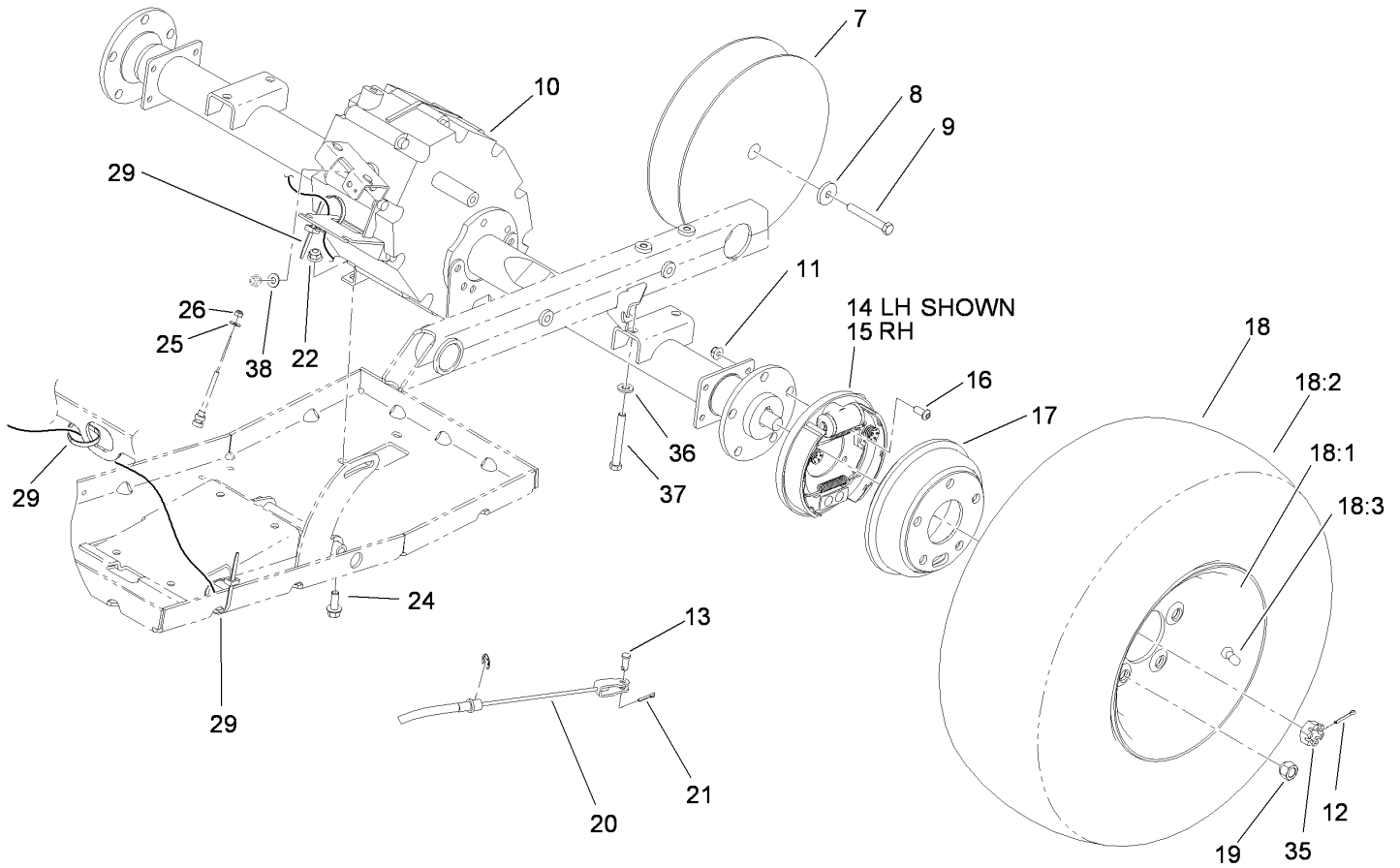
Ref	Part No.	Qty.	Description
32	323-8	2	Screw-HH
33	3274-96	4	Screw-HSBH
34	63-9750	2	Mount
35	322-9	4	Screw-HH
36	94-2690	1	Filter-Fuel
37	114-3765	1	Hose-Fuel
38	2412-98	3	Clamp
39	115-2393	1	Bracket-Cable
40	112-2920	1	Engine-Briggs & Stratton, 295440-0153-G1
40:1	117-2717	1	Engine-Block, Short
41	2844	2	Washer
42	99-7403	1	Cable-Negative
44	114-8335	1	Muffler
45	112-3128	1	Manifold-Engine
46	104-6478	4	Spring-Coupler, Exhaust
47	104-6476	1	Manifold-Engine
49	115-7612	1	Cable-Accelerator
50	99-7847	1	Ball-Stud
51	3296-69	1	Nut-Lock NI
52	94-2777	1	Wire-Ground
53	3254-2	1	Washer-Lock, Internal



Starter Generator Assembly No. 99-7108

Ref	Part No.	Qty.	Description
● 1		1	Yoke
2	104-1210	1	Armature Kit
3	104-1211	1	Bearing-Ball, Rear
4	104-1212	1	Retainer
5	104-1213	1	Bearing-Ball, Front
6	104-1214	1	Spacer
7	104-1215	2	Bolt
● 8		1	Nut And Screw Set
9	104-1216	1	Washer-Plain
10	104-1217	1	Washer-Spring
11	104-1218	1	Nut-Hex
● 12		3	Screw-Flange
13	104-1219	2	Set-Screw
14	104-1220	1	Bracket-Front
● 15		4	Pole
16	104-1221	1	Set-Pole And Screw
17	104-1222	1	Field Stator Coil ASM
● 18		2	F Mold
● 20		1	Df Mold
21	104-1224	1	Nut And Washer Set
22	104-1225	1	Brush Holder Kit
23	104-1226	4	Spring-Brush
24	104-1227	1	Brush And Screw Set
● 25		2	Brush Connector ASM

Ref	Part No.	Qty.	Description
● 26		2	A Terminal ASM
27	104-1228	2	Screw And Mold ASM
● 28		1	Cover Set
● 29		1	Cover B
● 30		1	Bracket-Rear
31	3257-3	1	Key-Woodruff



Rear Tire and Transaxle Assembly

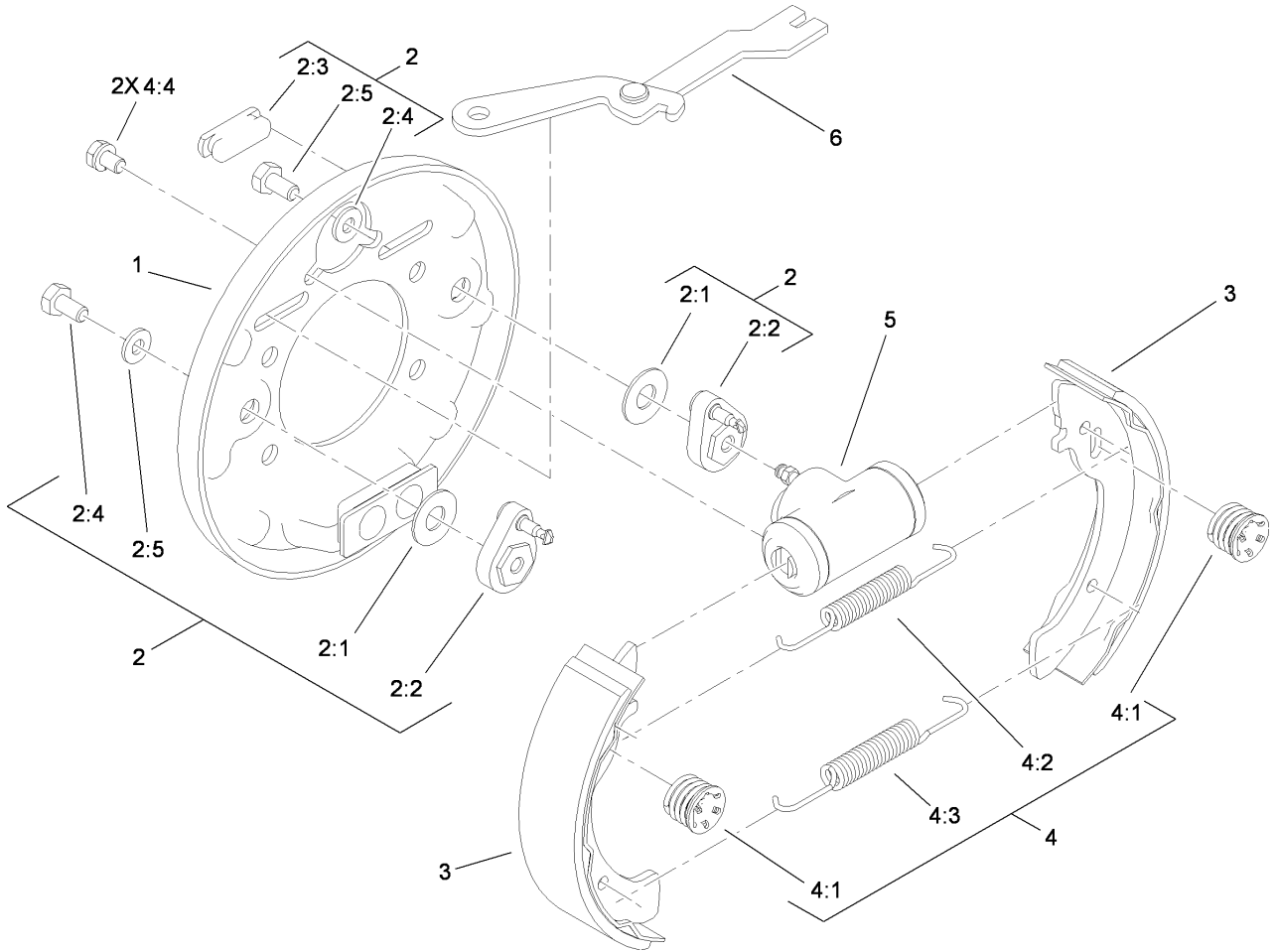
Ref	Part No.	Qty.	Description
7	99-7104	1	Clutch-Driven
8	104-6563	1	Washer-Stepped
9	104-6564	1	Screw-HH
10	115-2301	1	Transaxle
11	104-8300	8	Nut-Flange, NI
12	3272-12	2	Pin-Cotter
13	283-62	2	Pin-Clevis
14	114-8332	1	LH Brake ASM
15	114-8331	1	RH Brake ASM
16	3274-55	8	Screw-HSBH
17	104-6500	2	Drum-Brake
18	104-7282	2	Tire And Wheel ASM
18:1	104-7279	1	Wheel
18:2	104-7281	1	Tire
18:3	232-27	1	Stem-Valve
19	242-50	10	Nut-Lug
20	112-3309	2	Cable-Brake
21	3272-10	2	Pin-Cotter
22	104-8301	4	Nut-Flange, NI
24	3234-11	4	Screw-HHF
25	3256-49	2	Washer-Flat
26	3296-2	2	Nut-Lock
29	3290-378	3	Tie-Cable
35	104-1656	2	Nut-Castle

Ref	Part No.	Qty.	Description
36	100-4852	4	Washer-Hardened
37	323-14	4	Screw-HH
38	87-8640	1	Washer-Flat

Transaxle Assembly No. 115-2301

Ref	Part No.	Qty.	Description
1	104-1601	1	Case-LH, Complete
2	104-1602	1	Seal-Oil
3	104-1603	1	Seal-Oil
4	104-1604	1	Ring-Snap
5	104-1605	1	Spacer
6	104-1606	1	Shaft-Selector
7	104-1607	2	Seal-Oil
8	104-1608	4	Bolt-Flange
9	104-1609	2	Plug-Check, Oil
10	104-1610	2	Gasket
11	104-1611	2	Plug-Drain, Oil
12	104-1612	2	Gasket
13	104-1613	1	Plug-Filler, Oil
14	104-1614	1	Case-Complete, RH
17	104-1617	1	Fork-Governor
18	104-1618	1	Stopper
19	104-1619	4	Screw And Washer ASM
20	104-7002	1	Shaft-Input, Complete
21	104-1621	1	Base-Governor
22	104-1622	1	Pin-Lock
23	104-1623	1	Unit-Plate, Governor
24	104-1624	1	Bearing-Ball
25	104-1625	1	Sleeve-Governor
26	104-1626	2	Bearing-Ball
27	104-1627	1	Spacer
28	104-1628	1	Gear
29	115-7672	1	Bracket-Wire, Change
30	104-1630	1	Clutch-Pin
31	104-1631	1	Shaft-Center
32	104-1632	1	Gear
33	104-1633	2	Collar
34	104-1634	1	Gear
35	104-1635	6	Bolt-Flange
36	104-1636	1	Bearing-Ball
37	104-1637	1	Bearing-Ball
38	104-1638	2	Spacer
39	104-1639	1	Gear
40	104-1640	1	Shaft-Counter
41	104-1641	1	Case-Differential
42	104-1642	2	Gear-Side, Differential
43	104-1643	2	Pinion-Differential
44	104-1644	1	Shaft-Differential
45	104-1645	1	Pin
46	104-1646	1	Bearing-Ball
47	104-1647	1	Bearing-Needle
48	104-1648	1	Gear
49	104-1649	6	Bolt
50	104-1650	1	Shaft-Axle, LH
51	104-1651	1	Shaft-Axle, RH
52	104-1652	4	Bearing-Ball
53	104-1653	1	Case-Axle, LH
54	104-1654	1	Case-Axle, RH

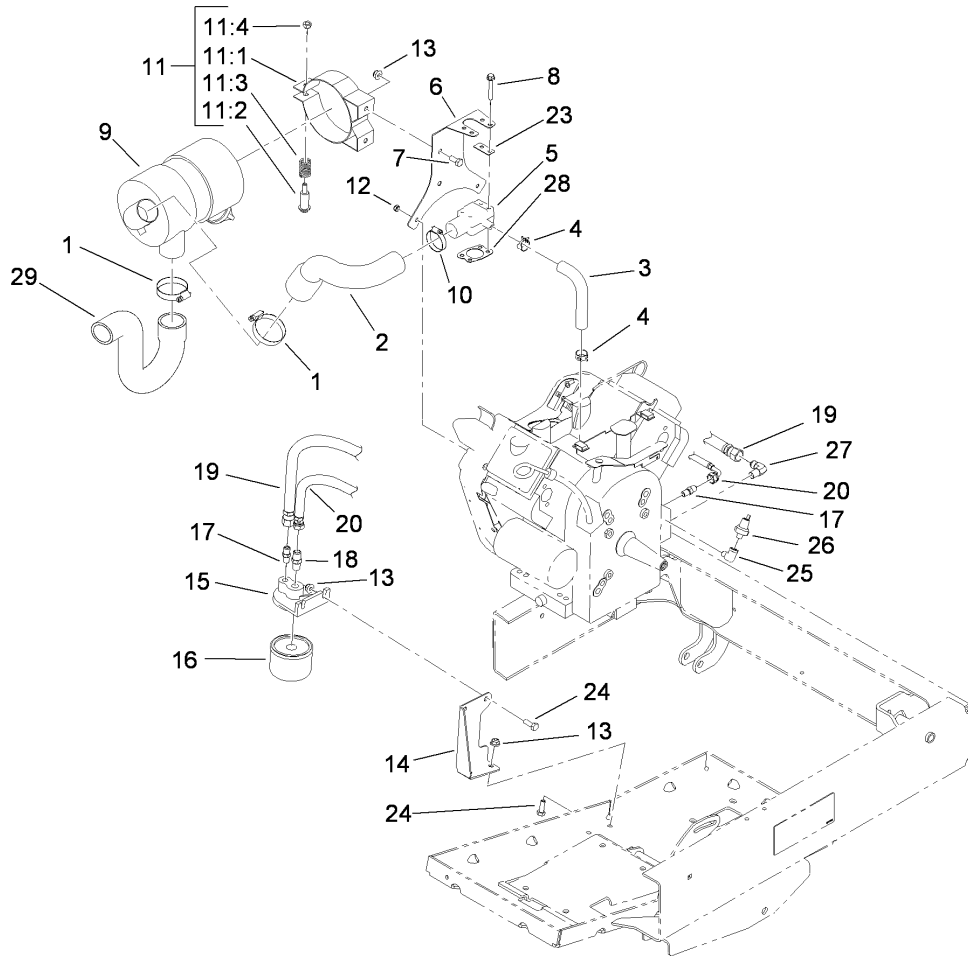
Ref	Part No.	Qty.	Description
55	104-1655	4	Ring-Snap
56	104-1656	2	Nut-Castle
57	104-1657	2	Ring-Snap
58	104-6870	1	Shaft-Shift, Complete
59	104-1659	2	Knock-Pipe
60	104-1660	1	Ball-Steel
61	104-1661	1	Spring
62	104-1662	1	Gasket
63	104-1663	1	Bolt
64	104-1664	1	Gasket
65	104-1665	6	Bolt-Flange
66	104-1666	1	Bolt-Flange
68	104-6866	1	Bolt
69	104-6867	2	Collar
70	33004-00	11	Nut-HF
71	104-1671	2	Bracket-Axle
72	104-1672	1	Nut-Lock
73	104-1673	2	Washer-Spring
74	104-1674	2	Washer
75	104-1675	2	Hub
76	112-3287	1	Lever-Select
77	104-6869	2	Bolt-Flange
78	104-8649	10	Stud



LH Rear Brake Assembly No. 114-8332

Ref	Part No.	Qty.	Description
1	100-8586	1	Backing Plate ASM
2	104-6820	1	Adjuster Kit
2:1	100-8585	2	Washer-Bellville
2:2	100-8588	2	Adjuster Lever ASM
2:3	100-8584	2	Cover-Dust
2:4		2	Washer
2:5		2	Bolt
3	104-6818	4	Shoe And Lining Kit
4	104-6819	1	Hardware Kit
4:1	100-8583	2	Shoe Hold Down Spring ASM
4:2	100-8581	2	Spring-Upper
4:3	100-8582	2	Spring-Lower
4:4		2	Bolt And Washer
5	114-8333	1	Wheel Cylinder ASM
6	104-6825	1	LH Park Brake Lever ASM

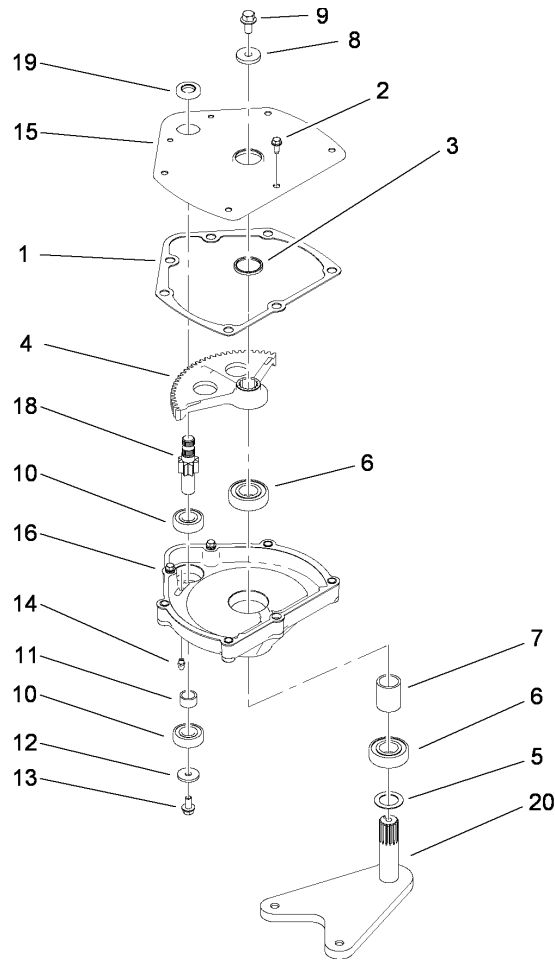
--	--	--	--



Oil Filter and Air Cleaner Assembly

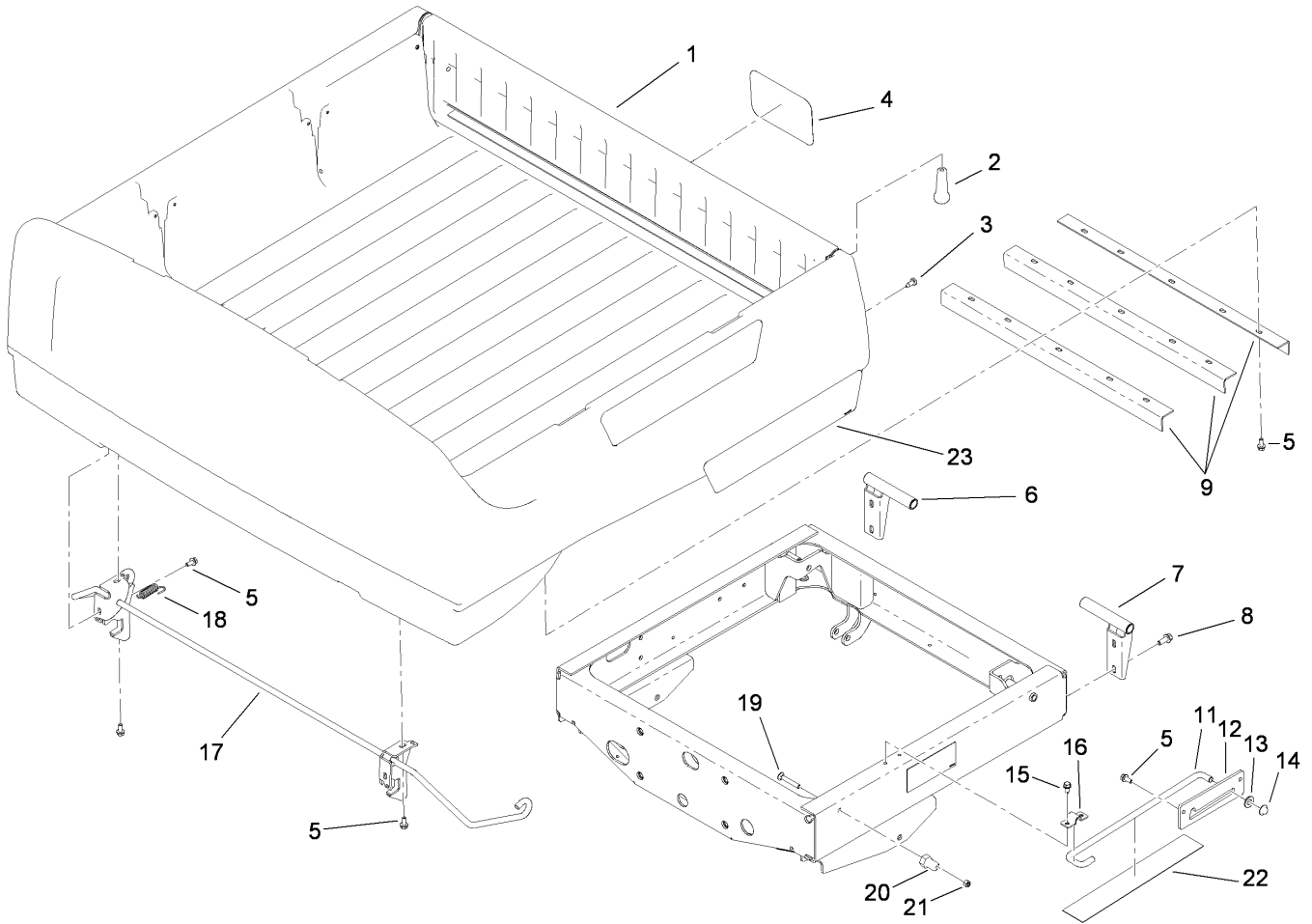
Ref	Part No.	Qty.	Description
1	2412-130	2	Clamp-Hose
2	112-3227	1	Hose-Intake
3	112-6461	1	Hose-Adapter, Carburetor
4	2412-143	2	Clamp-Hose
5	108-2829	1	Adaptor-Carburetor
6	112-3226-03	1	Bracket-Cleaner, Air
7	322-3	2	Screw-HH
8	33103-045	4	Screw-HHF
9	99-7120	1	Air Cleaner ASM
10	2412-3	1	Clamp-Hose
11	93-2191	1	Band-Mounting, Air Cleaner
● 11:1		1	Clamp ASM
11:2	94-3653	1	Bolt
11:3	94-3654	1	Spring
11:4	48-9510	1	Nut
12	33023-00	2	Nut-Lock
13	104-8300	6	Nut-Flange, NI
14	112-3240-03	1	Bracket-Filter, Oil
15	115-2314	1	Adapter-Filter, Oil
16	107-7817	1	Filter-Oil
17	112-3282	2	Fitting-Straight
18	112-3283	1	Fitting-Straight
19	112-3284	1	HYD Hose ASM
20	112-3285	1	HYD Hose ASM

Ref	Part No.	Qty.	Description
23	108-8427	2	Gasket-Carburetor
24	322-4	4	Screw-HH
25	2811-7	1	Elbow
26	115-2316	1	Switch-Pressure
27	115-2317	1	Fitting-Elbow
28	110-8158	1	Gasket-Adaptor
29	115-7623	1	Hose-Intake



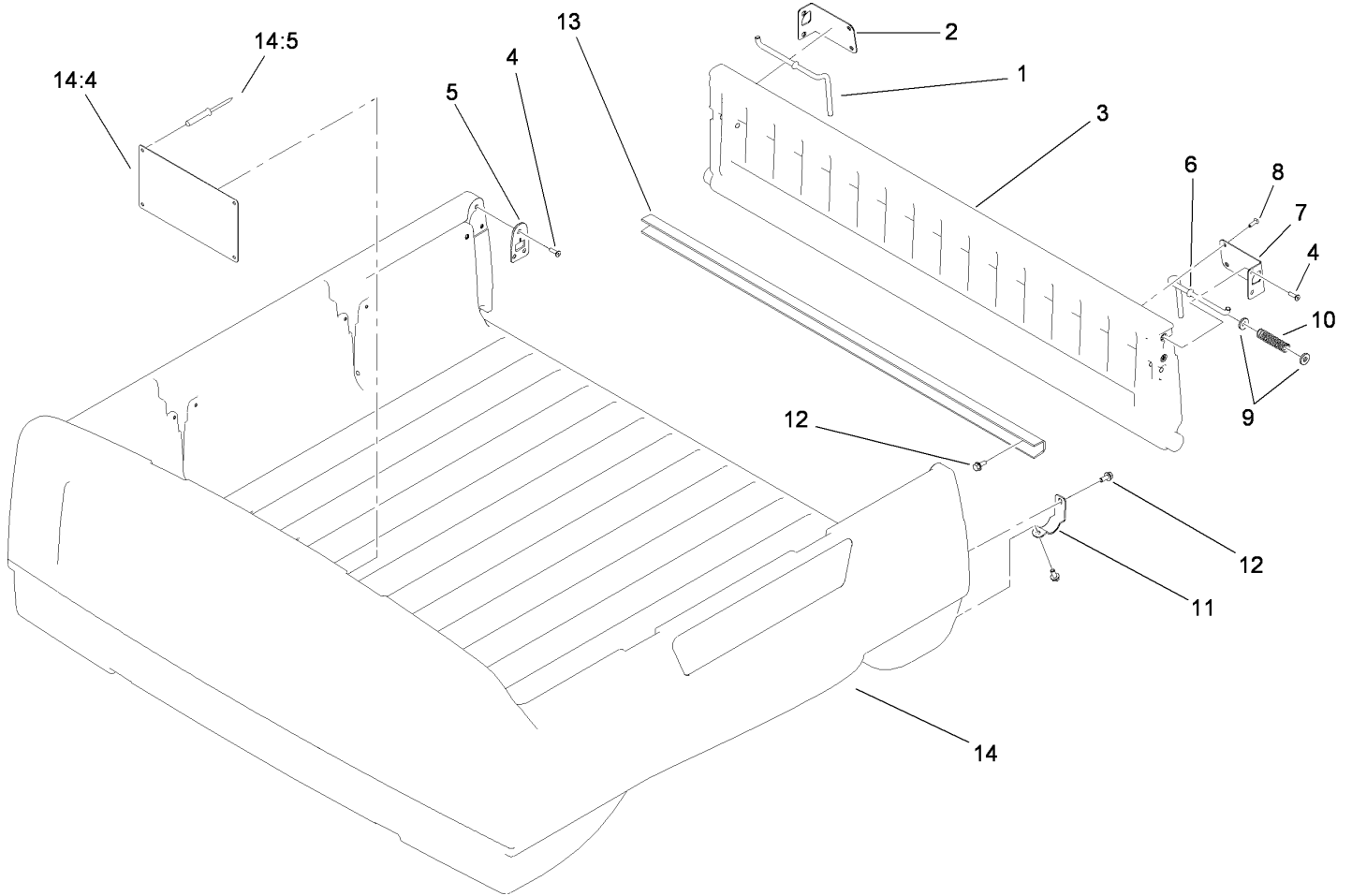
Steering Box Assembly No. 112-3130

Ref	Part No.	Qty.	Description
1	94-2135	1	Gasket
2	32144-10	3	Screw-HWH
3	103118	1	Seal
4	99-7843	1	Sector-Gear
5	3256-42	1	Washer-Flat
6	251-82	2	Bearing-Ball
7	112-2917	1	Spacer
8	104-6563	1	Washer-Stepped
9	104-7156	1	Screw-HHF
10	38-7820	2	Bearing-Ball
11	94-2217	1	Spacer-Shaft, Input
12	1-613235	1	Washer
13	98-3498	1	Screw-HH
14	302-5	1	Fitting-Grease
15	112-2918-03	1	Cover-Housing, Steering
16	114-8309	1	Housing-Steering
18	115-7726	1	Gear-Pinion
19	99-7657	1	Seal-Oil
20	112-3096-03	1	Pitman Arm ASM



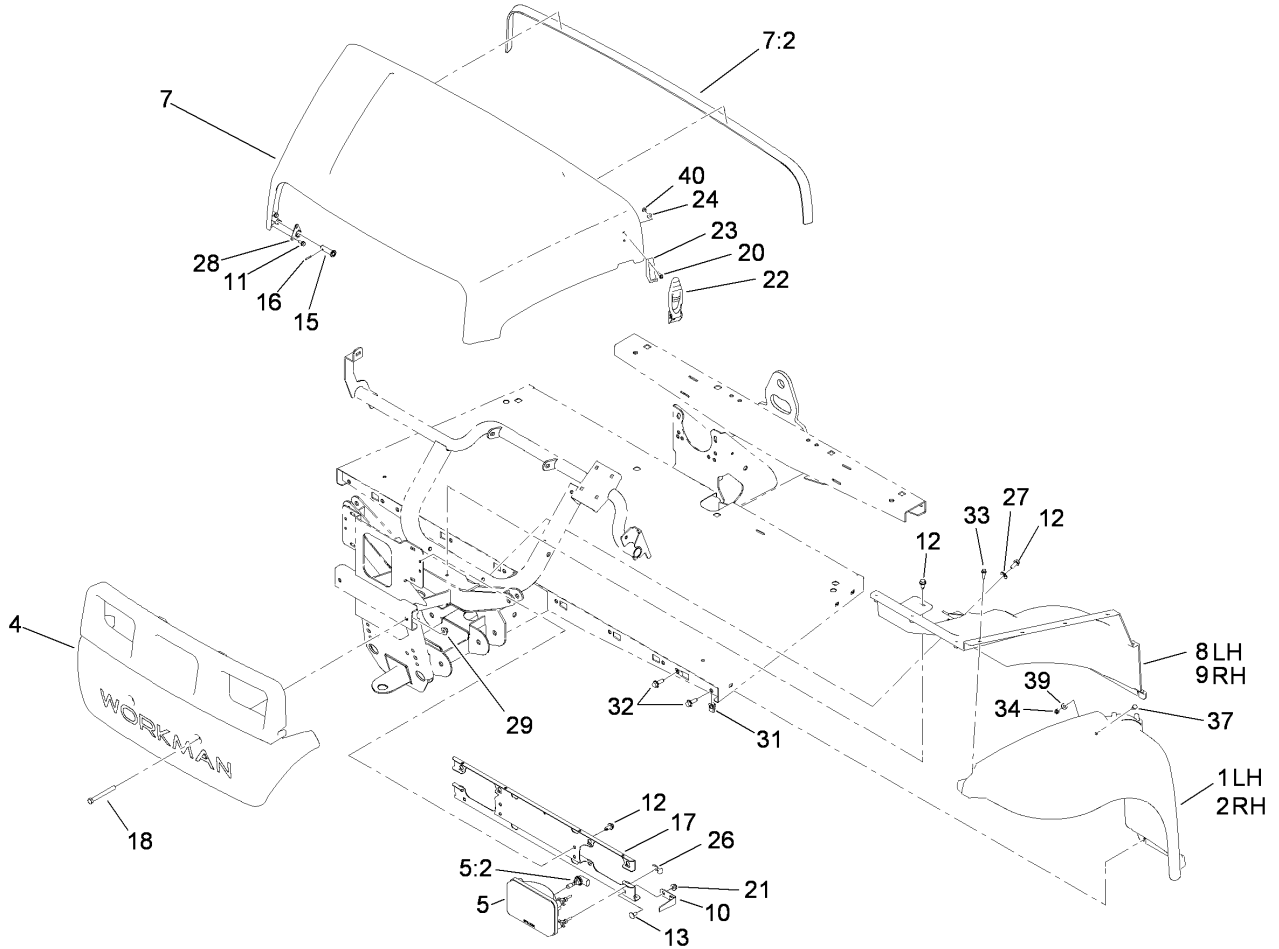
Box and Tailgate Installation Assembly

Ref	Part No.	Qty.	Description
1		1	Box And Tailgate ASM
2	99-7984	2	Knob-Soft Grip, Push-On
3	87-8460	2	Bumper-Rubber
4	104-7213	1	Decal
5	3234-5	21	Screw-HHF
6	99-7309-03	1	RH Pivot Bracket ASM
7	99-7308-03	1	LH Pivot Bracket ASM
8	3234-11	4	Screw-HHF
9	99-7864-03	3	Brace-Box
11	99-7895	1	Rod-Prop
12	99-7894	1	Bracket-Rod, Prop
13	3256-26	1	Washer-Flat
14	32112-14	1	Nut-Push
15	32104-32	2	Screw-HWH
16	99-7896	1	Bracket-U, Prop Rod
17	115-2385	1	Rod-Latch
18	5-7290	2	Spring-Tension
19	3230-7	2	Screw-CARR
20	104-7248	2	Pin-Latch
21	3296-29	2	Nut-Lock, NI
22	104-6859	1	Shield-Heat
23	115-2414	2	Decal



Box and Tailgate Assembly

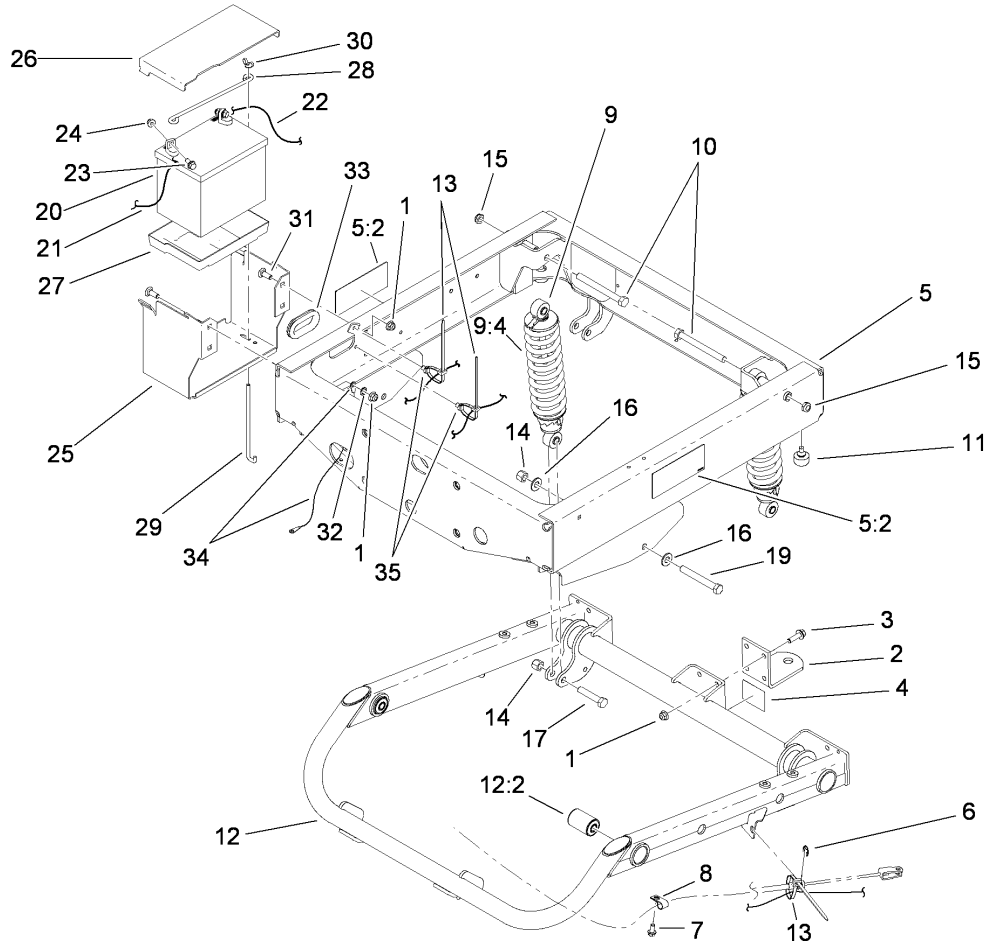
Ref	Part No.	Qty.	Description
1	99-7860	1	Rod-Latch, Right
2	99-7858	1	Bracket-Tailgate Latch, Right
3	115-7640	1	Tailgate ASM
4	99-7334	10	Screw
5	115-7676	2	Striker Plate ASM
6	99-7859	1	Rod-Latch, Left
7	99-7857	1	Bracket-Tailgate Latch, Left
8	99-7335	4	Screw
9	99-7861	4	Washer-Latch
10	61-8880	2	Spring
11	99-7286	2	Bracket-Pivot, Tailgate
12	3234-5	10	Screw-HHF
13	99-7867	1	Channel-Tailgate
14	115-7638	1	Box ASM
14:4	99-7954	1	Decal-No Riders
14:5	3290-415	4	Rivet



Hood and Fender Assembly

Ref	Part No.	Qty.	Description
1	112-3371	1	Fender-LH
2	112-3370	1	Fender-RH
4	112-3365	1	Bumper
5	114-8322	2	Headlight
5:2	115-2395	1	Light Bulb ASM
7	115-7636	1	Hood ASM
7:2	115-7635	1	Seal-Foam
8	112-3369	1	Well-Fender, LH
9	112-3368	1	Well-Fender, RH
10	112-3373	2	Keeper-Pivot, Hood
11	46-8093	6	Screw-Plastite
12	32104-32	8	Screw-HWH
13	3230-18	2	Screw-CARR
15	112-2916	2	Pin-Pivot, Hood
16	32121-50	2	Pin-Spring
17	112-2915-03	1	Bracket-Light, Head
18	115-7660	2	Screw-HHF
20	32105-13	4	Screw-HWH
21	104-8300	2	Nut-Flange, NI
22	115-2416	2	Latch-Rubber
23	103-2897	2	Latch-Catch
24	3256-14	4	Washer-Flat
26	115-2408	6	Clip-Speed
27	3256-71	2	Washer-Flat

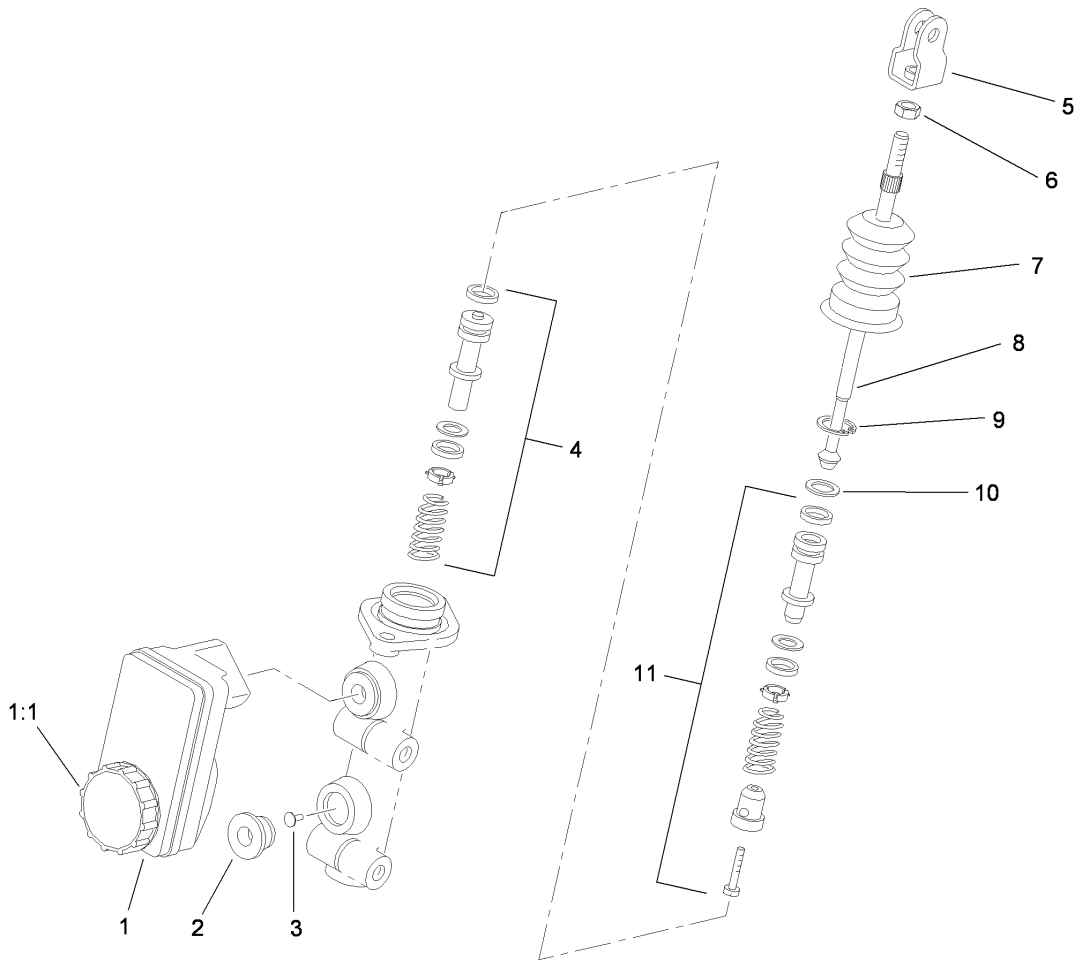
Ref	Part No.	Qty.	Description
28	112-3308	2	Retainer-Pin
29	104-8301	2	Nut-Flange, NI
31	112-3306	10	Nut
32	3234-29	10	Screw-HHF
33	46-8091	20	Screw-HWH
34	3296-42	2	Nut-Lock, NI
37	321-39	2	Screw-HH
39	3256-22	2	Washer-Flat
40	3296-2	4	Nut-Lock



Frame Assembly

Ref	Part No.	Qty.	Description
1	104-8301	8	Nut-Flange, NI
2	99-7654-03	1	Hitch-Duty, Light
3	3234-24	4	Screw-HHF
4	99-7350	1	Decal-Rating, Hitch (Light Duty)
5	114-8307	1	Rear Frame Service ASM
5:2	99-7345	2	Decal-Warning
6	32120-47	2	Ring-Retaining, External
7	32144-4	2	Screw-HWH
8	2412-89	2	Clamp
9	112-3168	2	Rear Shock/Spring ASM
9:4	112-3386	1	Spring
10	325-19	2	Screw-HH
11	87-2440	2	Bumper-Rubber
12	115-7614	1	Swing Arm ASM
12:2	112-3377	2	Bushing-Arm, Control
13	3290-378	4	Tie-Cable
14	3296-23	4	Nut-Lock, NI
15	3296-45	2	Nut-Lock, NI
16	87-7270	4	Washer-Thrust
17	325-10	2	Screw-HH
19	325-17	2	Screw-HH
20	104-8162	1	Battery
21	115-8107	1	Cable-Battery, Negative
22	114-9404	1	Cable-Battery, Positive

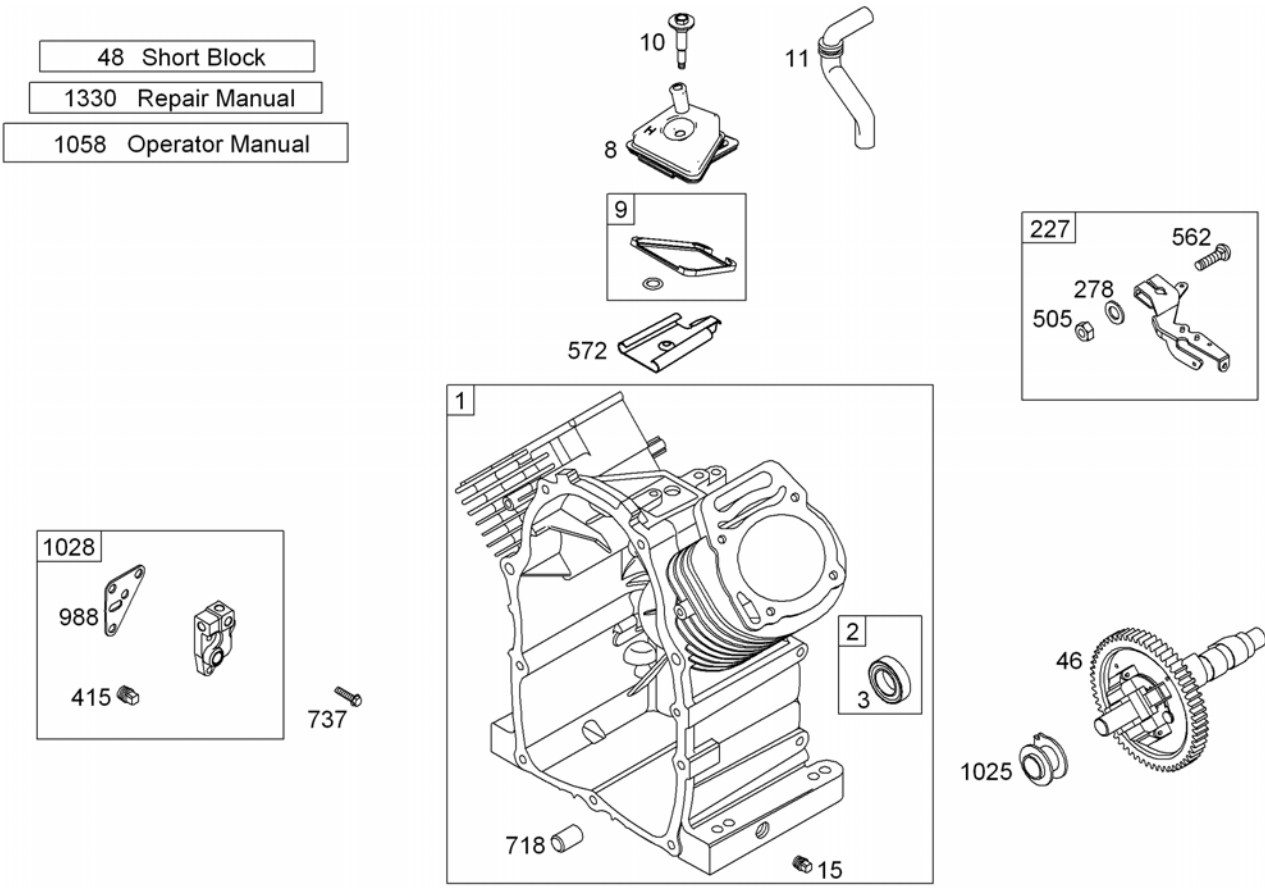
Ref	Part No.	Qty.	Description
23	3234-5	2	Screw-HHF
24	104-8300	2	Nut-Flange, NI
25	115-2302-03	1	Base-Battery
26	115-2394	1	Cover-Battery
27	106948	1	Tray-Battery
28	100-6434	1	Rod-Battery, Hold Down
29	100-6435	2	Post-Battery
30	32103-22	2	Nut-Wing
31	3231-22	4	Screw-CARR
32	3254-6	1	Washer-Lock, Internal
33	240-12	1	Grommet
34	115-8108	1	Cable-Battery, Negative
35	32180-030	2	Clip-Harness



Master Cylinder Assembly No. 104-6782

Ref	Part No.	Qty.	Description
1	104-6845	1	Reservoir ASM
1:1	92-4112	1	Cap ASM
2	93-8971	2	Seal-Port, Flange
3	92-4103	1	Pin-Stop
4	92-4102	1	Secondary Piston ASM
5	92-4110	1	Clevis
6	21-0360	1	Nut-Hex
7	94-5209	1	Cover-Dust
8	94-5210	1	Rod-Push
9	92-4109	1	Ring-Snap
10	92-4108	1	Retainer-Washer
11	92-4101	1	Primary Piston ASM

--	--	--	--

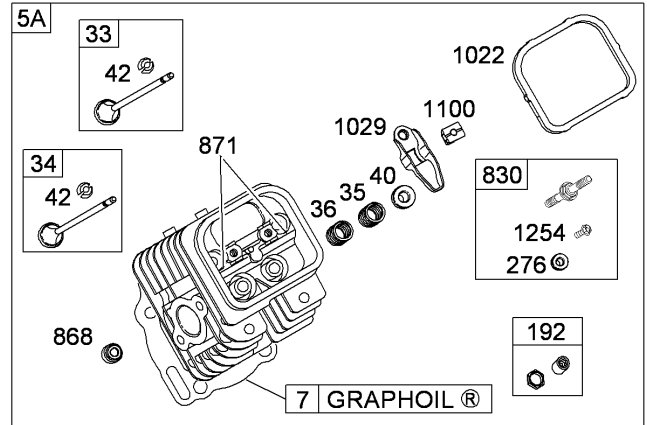
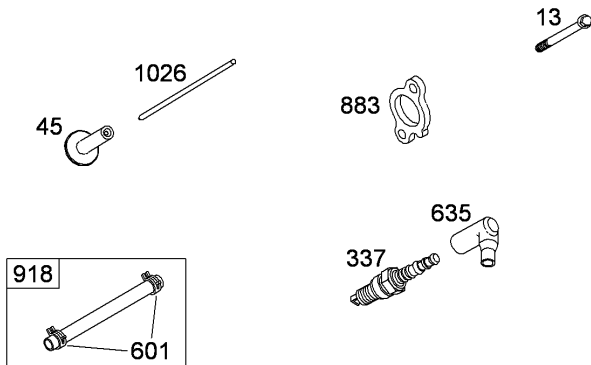
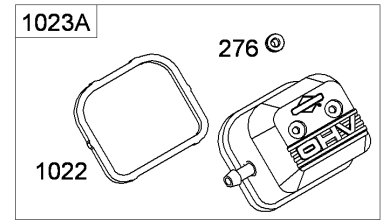
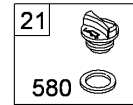
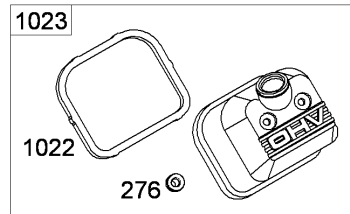
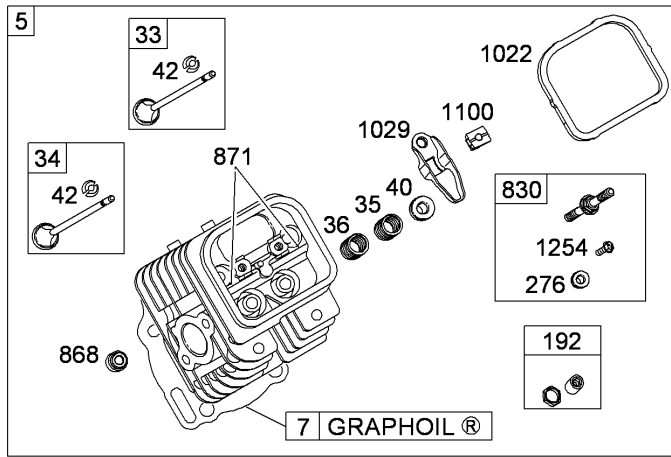


Assemblies include all parts shown in frames

Cylinder Assembly Briggs and Stratton 295440-0153-G1

Ref	Part No.	Qty.	Description
1	692178	1	Cylinder ASM
2	808534	1	Bushing-Seal Kit (Magneto Side)
3	805101S	1	Seal-Oil (Magneto Side)
8	808984	1	Breather ASM
9	809094	1	Gasket-Breather
10	690751	1	Screw (Breather ASM)
11	806038s	1	Tube-Breather
15	690946	1	Plug-Drain, Oil (Cylinder)
46	691557	1	Camshaft
48	494055	1	Block-Short
227	690236	1	Lever-Control, Governor
278	842122	1	Washer (Governor Control Lever)
415	690283	1	Plug (Oil Filter Adapter)
505	690238	1	Nut (Governor Control Lever)
562	690239	1	Bolt (Governor Control Lever)
572	690686	1	Baffle-Breather
718	806469	1	Pin-Locating
737	690679	1	Screw (Oil Filter Adapter)
988	692063	1	Gasket-Adapter, Oil Filter
1025	690689	1	Spool-Governor
1028	492687	1	Adapter-Filter, Oil
1058	277106	1	Manual-Operator
1330	272144	1	Manual-Repair

--	--	--	--

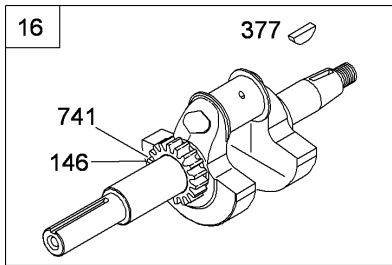
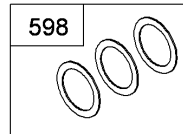
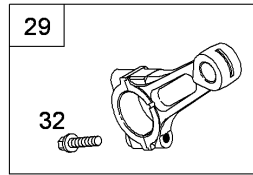
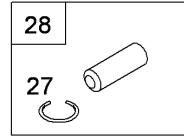
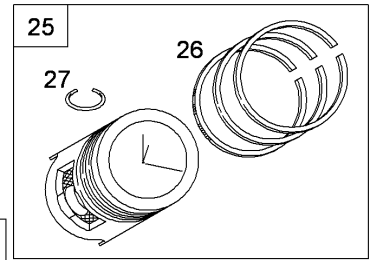


Assemblies include all parts shown in frames

Cylinder Head Assembly Briggs and Stratton 295440-0153-G1

Ref	Part No.	Qty.	Description
25	809200	1	Head-Cylinder (Cylinder Head No.1)
25A	809201	1	Head-Cylinder (Cylinder Head No.2)
247	806085S	1	Gasket-Head, Cylinder
213	692059	1	Screw (Cylinder Head)
221	809500	1	Cap-Fill, Oil
233	807681	1	Valve-Exhaust
234	807680	1	Valve-Intake
235	692084	1	Spring-Valve (Intake)
236	692084	1	Spring-Valve (Exhaust)
240	692058	1	Retainer-Valve
242	807683	1	Keeper-Valve
245	843379	1	Tappet-Valve
2192	807623	1	Adjuster-Arm, Rocker
2276	807085	1	Washer-Sealing (Rocker Cover)
2337	496018S	1	Spark Plug
25580	691312	1	Seal-O Ring (Oil Fill Cap)
2601	691038	1	Clamp-Hose
2635	692076	1	Boot-Spark Plug
2830	809157	1	Stud-Arm, Rocker
24868	691963	1	Seal-Valve
2871	692057	1	Bushing-Guide, Valve

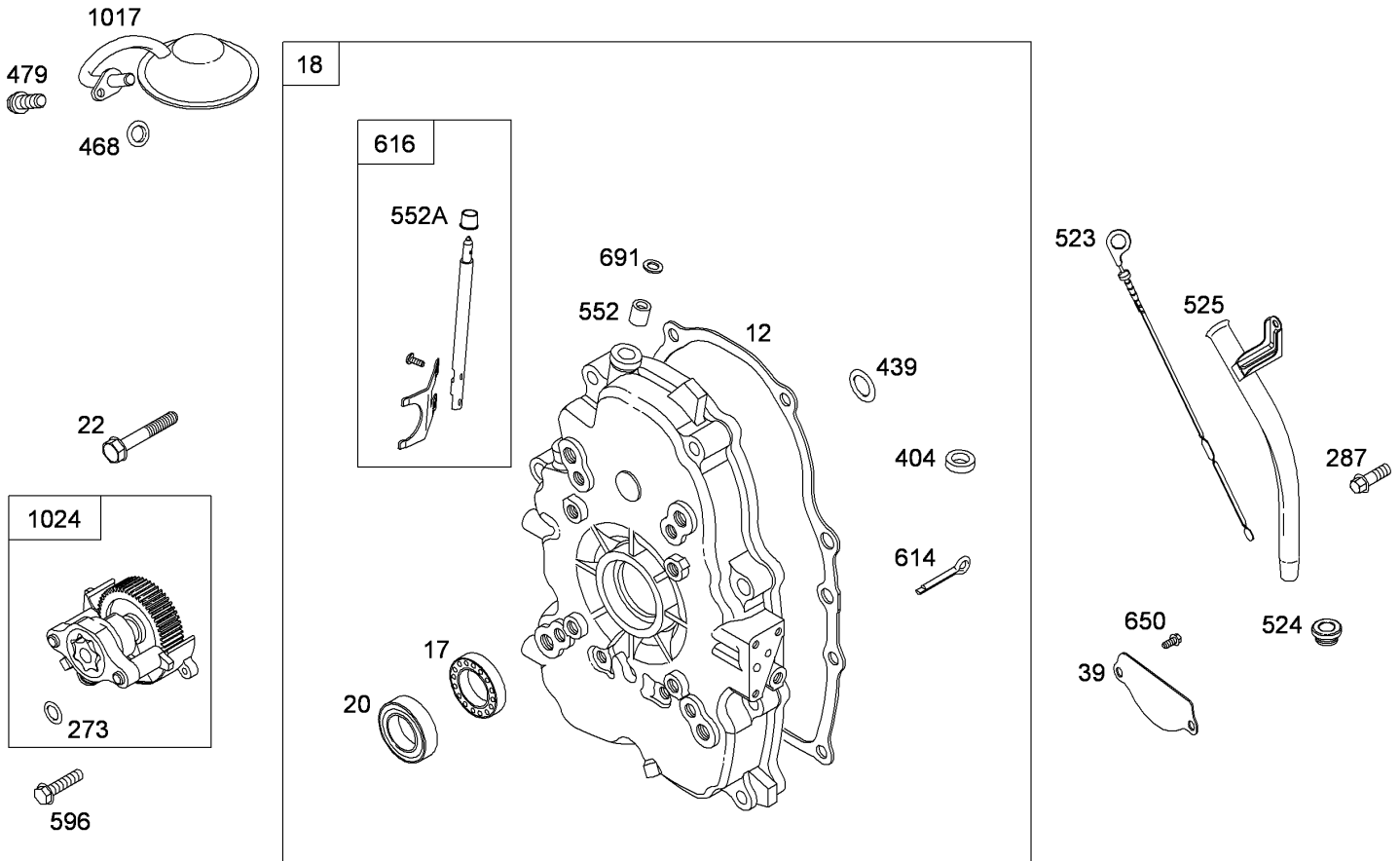
Ref	Part No.	Qty.	Description
24883	691613	1	Gasket-Exhaust
2918	791880	1	Hose-Vacuum
241022	806039S	1	Gasket-Cover, Rocker
21023	843749	1	Cover-Rocker
21023A	691558	1	Cover-Rocker (Cylinder No.1)
21026	691836	1	Rod-Push (Intake)
21026	691758	1	Rod-Push (Exhaust)
21029	807323	1	Arm-Rocker
21100	791959	1	Pivot-Arm, Rocker
21254	807084	1	Screw (Rocker Cover Stud)



Assemblies include all parts shown in frames

Crankshaft and Piston/Ring Assembly Briggs and Stratton 295440-0153-G1

Ref	Part No.	Qty.	Description
216	692163	1	Crankshaft
217	690752	1	Bearing-Ball
225	843952	1	Piston ASM (Standard)
225	843956	1	Piston ASM (.020 Oversize)
226	843953	1	Ring Set (Standard)
226	843957	1	Ring Set (.020 Oversize)
227	690683	1	Lock-Pin, Piston
228	690229	1	Pin-Piston (STD)
229	807900S	1	Rod-Connecting
232	690698	1	Screw (Connecting Rod)
2146	691639	1	Key-Timing
2377	808095	1	Key-Woodruff
2598	807625	1	Shim-Play, End (Crankshaft Or Camshaft Bearing)
2741	691530	1	Gear-Timing

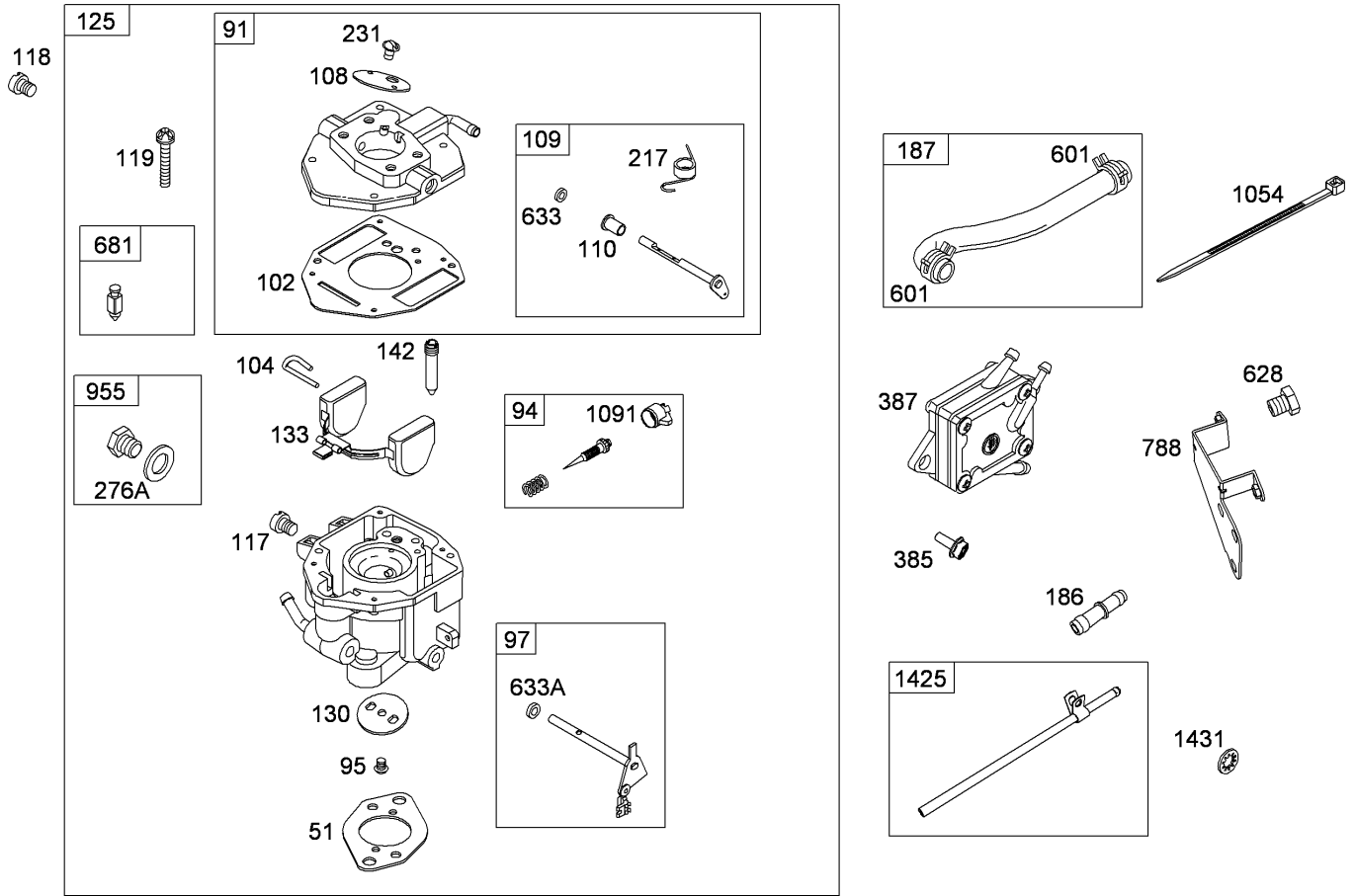


Assemblies include all parts shown in frames

Crankcase Cover/Sump Assembly Briggs and Stratton 295440-0153-G1

Ref	Part No.	Qty.	Description
②④12	843970	1	Gasket-Crankcase
②17	690752	1	Bearing-Ball
②18	808847	1	Cover-Crankcase
②④20	805049S	1	Seal-Oil (PTO Side)
②22	807362	1	Screw (Crankcase/Cover/Sump)
②39	690745	1	Deflector-Oil
②④273	690681	1	Seal-O Ring (Oil Pump)
②287	692062	1	Screw (Dipstick Tube)
②404	690704	1	Washer (Governor Crank)
②④439	692154	1	Seal-O Ring (Crankcase/Cover/Sump)
②④468	690690	1	Seal-O Ring (Oil Pump Screen)
②479	807084	1	Screw (Oil Pump Screen)
②523	693175	1	Dipstick
②④524	693172	1	Seal-Tube, Dipstick
②525	693174	1	Tube-Dipstick
②552	690701	1	Bushing-Crank, Governor
②552A	806686	1	Bushing-Crank, Governor
②596	691492	1	Screw (Oil Pump)
②614	691550	1	Retainer-Shaft, Governor
②616	806685	1	Crank-Governor
②650	841233	1	Screw (Oil Deflector)
②④691	690680	1	Seal-Shaft, Governor
②1017	690900	1	Screen-Pump, Oil

Ref	Part No.	Qty.	Description
②1024	693185	1	Pump-Oil

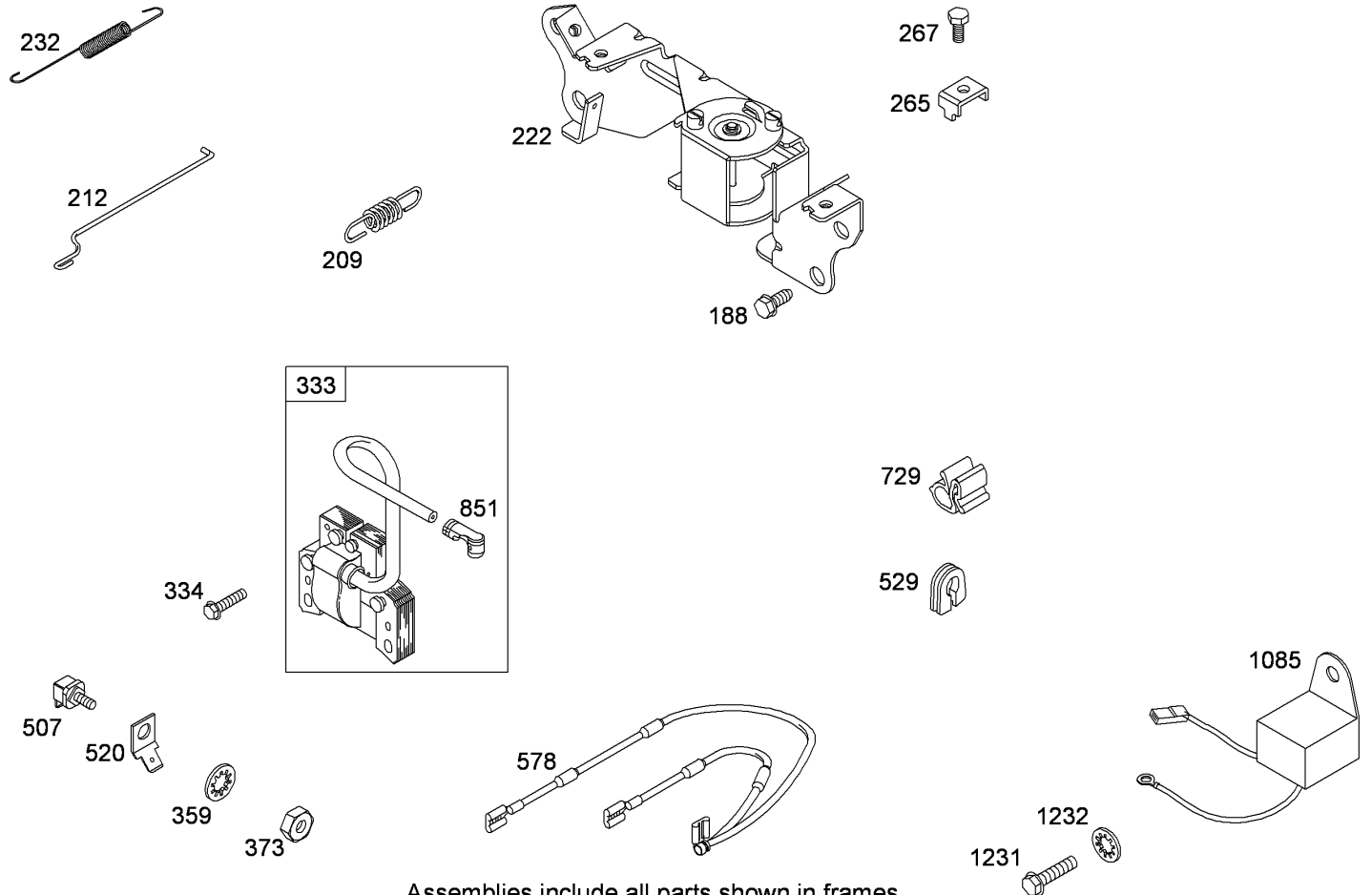


Assemblies include all parts shown in frames

Carburetor and Fuel Pump Assembly Briggs and Stratton 295440-0153-G1

Ref	Part No.	Qty.	Description
2 4 51	691694	1	Gasket-Intake
2 91	843532	1	Body-Carburetor, Upper
2 94	842870	1	Idle Mixture Kit
2 95	690718	1	Screw (Throttle Valve)
2 97	841498	1	Shaft-Throttle
2 102	692077	1	Gasket-Body, Carburetor
2 104	690723	1	Pin-Hinge, Float
2 108	690719	1	Valve-Choke
2 109	808962	1	Shaft-Choke
2 110	806861	1	Washer (Choke Shaft)
2 117	842318	1	Jet-Main (Standard)
2 118	842836	1	Jet-Main (High Altitude)
2 119	842791	1	Screw (Upper To Lower Carburetor Body)
2 125	843130	1	Carburetor
2 130	690726	1	Valve-Throttle
2 133	806961	1	Float-Carburetor
2 142	842319	1	Nozzle-Carburetor
2 186	844032	1	Connector-Hose
2 187	791801	1	Line-Fuel
2 217	806862	1	Spring-Return, Choke
2 231	690718	1	Screw (Choke Valve)
2 276A	693497	1	Washer-Sealing

Ref	Part No.	Qty.	Description
2 385	693169	1	Screw (Fuel Pump)
2 387	808969	1	Pump-Fuel
2 601	691038	1	Clamp-Hose
2 628	806660	1	Screw (Fuel Pump Bracket)
2 633	690722	1	Seal-Shaft, Choke Throttle
2 633A	806131	1	Seal-Shaft, Choke Throttle
2 681	808798	1	Valve-Needle, Float
2 788	691559	1	Bracket-Pump, Fuel
2 955	807723	1	Plug-Carburetor
2 1054	280275	1	Tie-Cable
2 1091	691516	1	Cap-Limiter
2 1425	844036	1	Hose-Line, Purge
2 1431	844035	1	Washer (Tube Clamp) (Purge Line Hose)

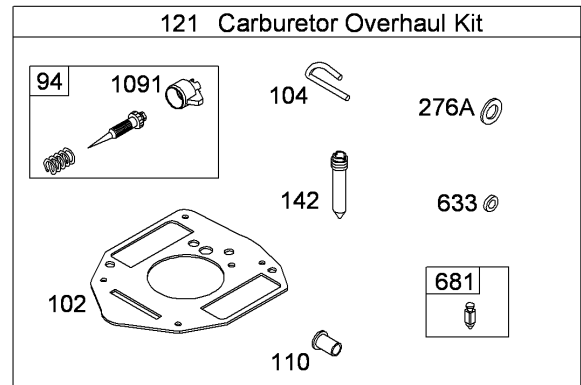
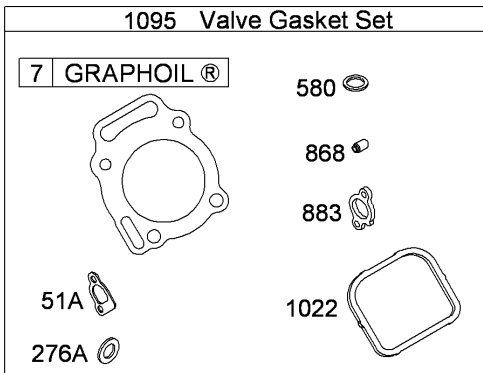
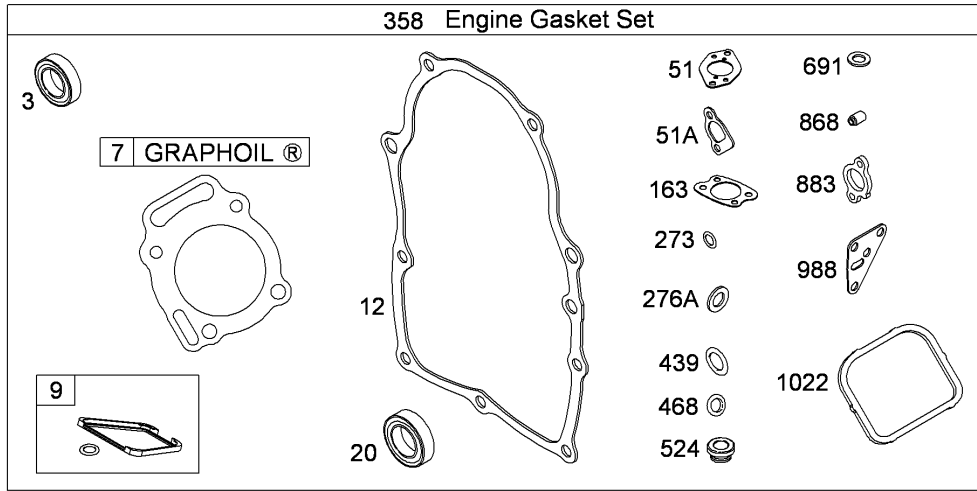


Assemblies include all parts shown in frames

Governor Control Assembly

Briggs and Stratton 295440-0153-G1

Ref	Part No.	Qty.	Description
2188	692056	1	Screw (Control Bracket)
2209	691507	1	Spring-Governor (Brown)
2212	690712	1	Link-Throttle
2222	691570	1	Bracket-Control
2232	692073	1	Spring-Link, Governor
2265	691024	1	Clamp-Casing
2267	841552	1	Screw (Casing Clamp)
2333	492341	1	Armature-Magneto
2334	692066	1	Screw (Magneto Armature)
2359	691077	1	Washer (Ground Terminal)
2373	691612	1	Nut (Ground Terminal)
2507	691972	1	Insulator
2520	691084	1	Terminal-Ground
2529	690744	1	Grommet (Ignition)
2578	692319	1	Wire ASM
2729	690586	1	Clip-Wire
2851	493880s	1	Terminal-Spark Plug
21085	809093	1	Module-Ignition
21231	692067	1	Screw (Ignition Module)
21232	691077	1	Washer (Ignition Module)



Assemblies include all parts shown in frames

Engine Gasket and Carburetor Overhaul Kit Briggs and Stratton 295440-0153-G1

Ref	Part No.	Qty.	Description
243	805101S	1	Seal-Oil (Mag Side)
247	806085S	1	Gasket-Head, Cylinder
5			
249	809094	1	Gasket-Breather
2412	843970	1	Gasket-Crankcase
2420	805049S	1	Seal-O Ring (PTO Side)
2451	691694	1	Gasket-Intake (Manifold To Carburetor)
2451A	692035	1	Gasket-Intake
5			
2594	842870	1	Idle Mixture Kit
25102	692077	1	Gasket-Body, Carburetor
25104	690723	1	Pin-Hinge, Float
25110	806861	1	Washer (Choke Shaft)
2121	842877	1	Carburetor Overhaul Kit
25142	842319	1	Nozzle-Carburetor
24163	692081	1	Gasket-Cleaner, Air
24273	690681	1	Seal-O Ring (Oil Pump)
25276A	693497	1	Washer-Sealing
45			
2358	842722	1	Engine Gasket Set
24439	692154	1	Seal-O Ring (Crankcase/Cover/Sump)
24468	690690	1	Seal-O Ring (Oil Pump Screen)
24524	693172	1	Seal-Tube, Dipstick

Ref	Part No.	Qty.	Description
25580	691312	1	Seal-O Ring (Oil Fill Cap)
25633	690722	1	Seal-Shaft, Choke Throttle
25681	808798	1	Valve-Needle, Float
24691	690680	1	Seal-Shaft, Governor
24868	691963	1	Seal-Valve
5			
24883	691613	1	Gasket-Exhaust
5			
24988	692063	1	Gasket-Adapter, Oil Filter
241022	806039S	1	Gasket-Cover, Rocker
5			
251091	691516	1	Cap-Limiter
21095	842723	1	Valve Gasket Set

Attachments and Accessories

For 07273 - Workman MDX Utility Vehicle

Product Name	Model/Part
Roll-Over Protection System	07276
Receiver Hitch Kit	07278
Stake Side Kit	07290
Portable Refreshment Center	07298

NOTES

