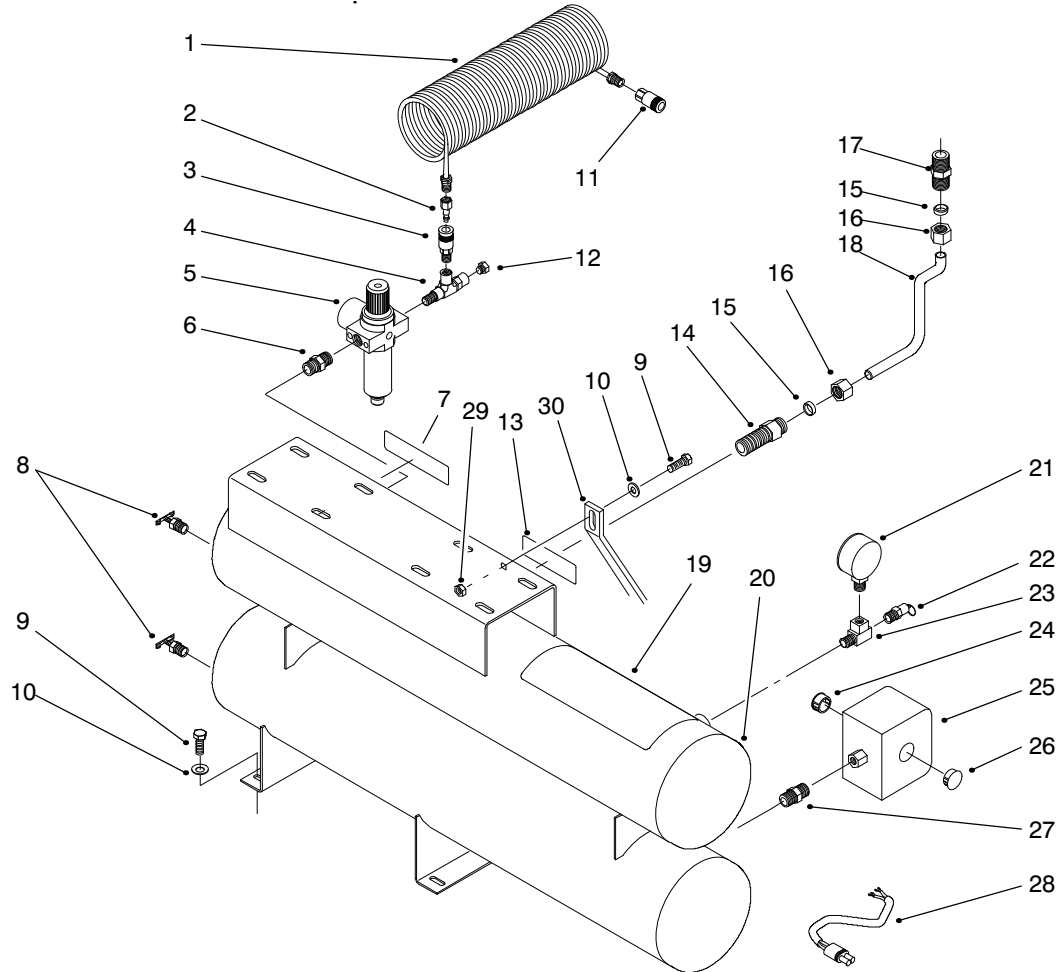




MODEL NO. 07348-40001 & UP

**PARTS
CATALOG**

AIR COMPRESSOR
For Workman 3000 Series Vehicles

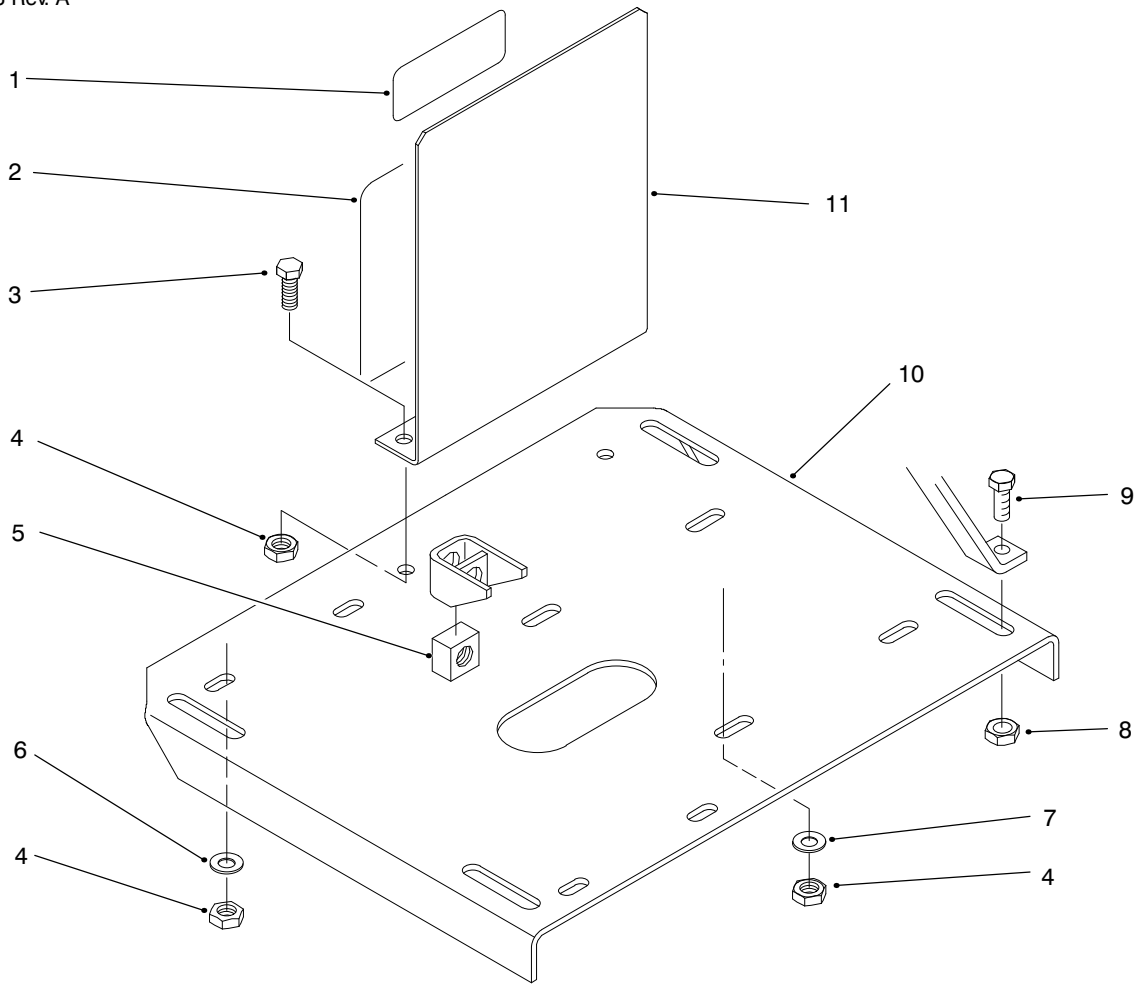


T-1796

TANK ASSEMBLY

Ref. No.	Part No.	Description	No. Used
1	92-9069	Hose	1
2	92-9068	Fitting - Male	1
3	92-9067	Fitting - Female	1
4	92-9064	Tee - Street	1
5	92-9070	Filter - Regulator	1
6	92-9063	Nipple	1
7	67-5360	Decal - Danger	1
8	92-9058	Drain Cock	2
9	322-5	Screw - Hex Head	5
10	3256-23	Washer - Flat	5
11	92-9066	Fitting - Female	1
12	92-9065	Plug	1
13	83-6620	Decal - Instruction	1
14	92-9053	Valve - Check	1
15	92-9057	Sleeve - Compression	2
16	92-9056	Nut - Compression	2

Ref. No.	Part No.	Description	No. Used
17	92-9055	Fitting - Straight	1
18	92-9071	Tube - Inlet	1
19	92-2784	Decal - Features	1
20	92-2793	Air Tank Assembly (Incl. Ref. #7 & 13)	1
21	92-9059	Gauge	1
22	92-9054	Valve - Relief	1
23	92-9061	Tee - Street	1
24	92-2789	Grommet	1
25	92-9060	Switch	1
26	92-2790	Grommet	1
27	92-9062	Nipple	1
28	92-9047	Harness - Wire	1
29	3296-29	Nut - Lock	1
30	92-2798	Brace - Tank	1

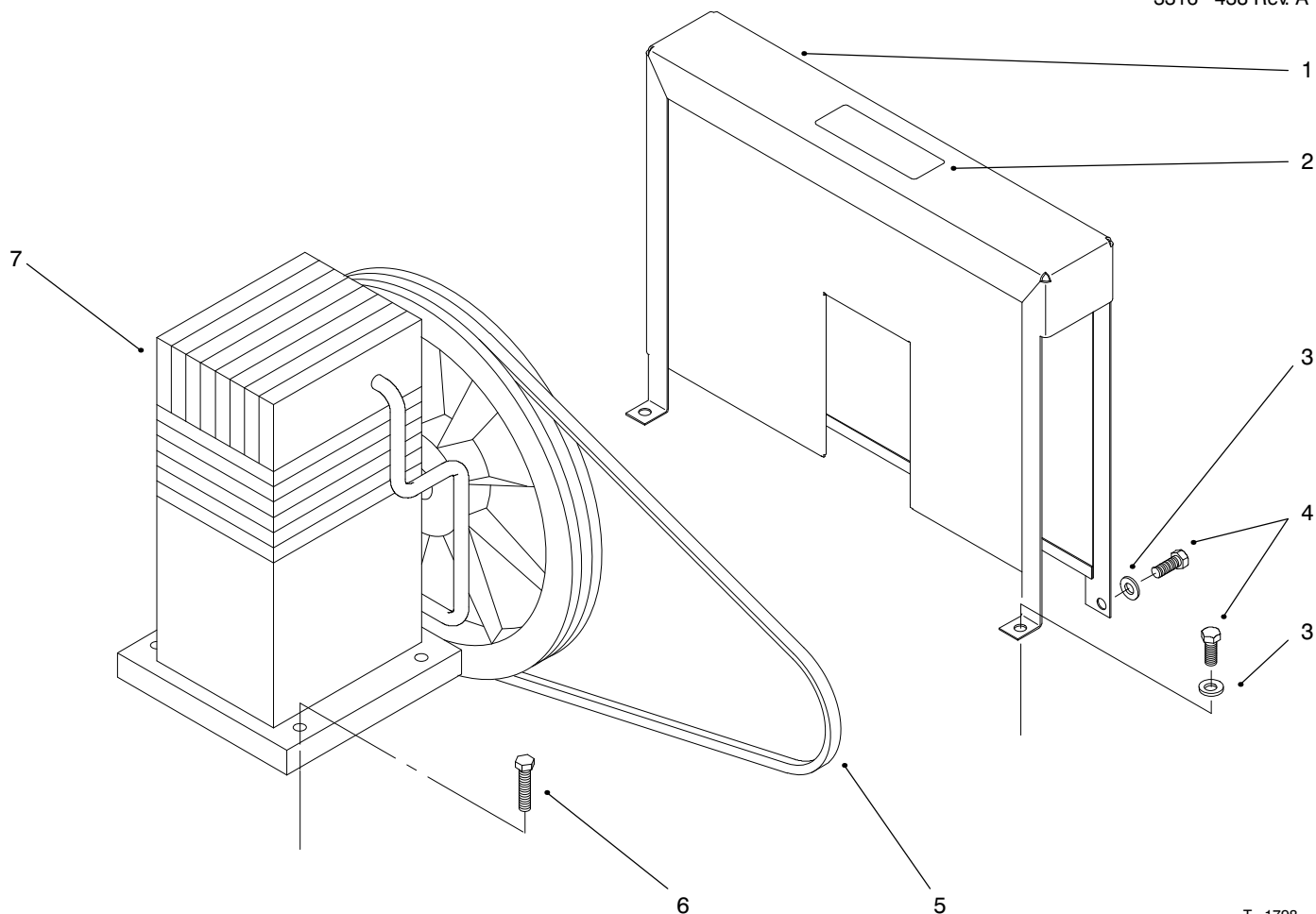


T-1797

HEAT SHIELD MOUNTING ASSEMBLY

Ref. No.	Part No.	Description	No. Used
1	66-6840	Decal - Hot Surface	1
2	92-2788	Decal - Important	1
3	323-6	Screw - Hex Head	2
4	32153-2	Nut - Lock	4
5	32107-10	Nut - Square	1
6	3256-23	Washer - Flat	4

Ref. No.	Part No.	Description	No. Used
7	3256-24	Washer - Flat	6
8	3296-29	Nut - Lock	1
9	322-5	Screw - Cap Hex. Hd.	1
10	92-9042	Mount - Compressor	1
11	92-2795	Heat Shield Assembly (Incl. Ref. #1 & 2)	1

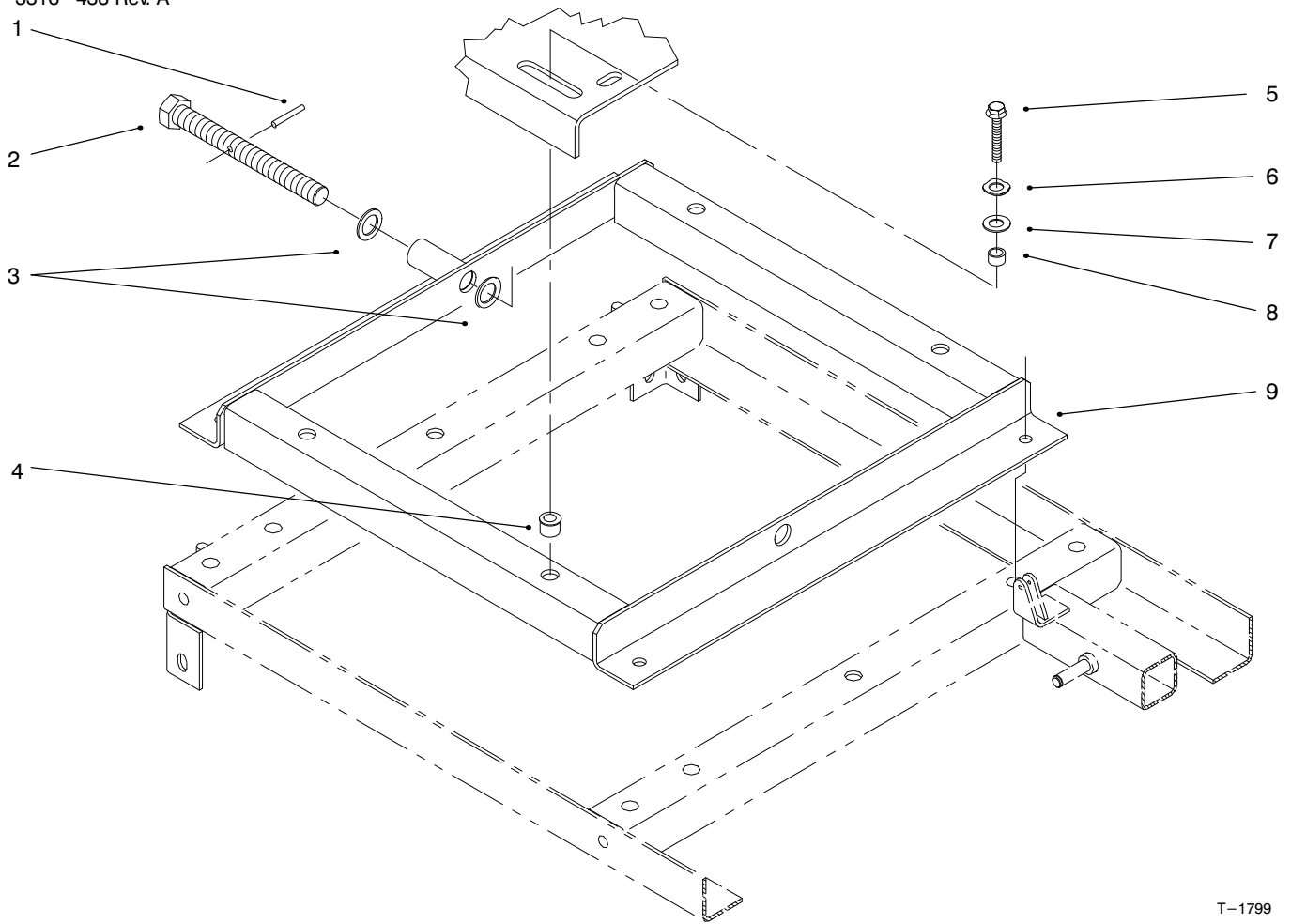


T-1798

COMPRESSOR ASSEMBLY

Ref. No.	Part No.	Description	No. Used
1	92-2794	Shield Assembly (Incl Ref. #2)	1
2	80-8040	Decal - Caution	1
3	323-6	Screw - Hex Head	4

Ref. No.	Part No.	Description	No. Used
4	3256-24	Washer - Flat	4
5	52-9950	Belt - V	1
6	323-10	Screw - Hex Head	4
7	92-9037	Pump - Compressor	

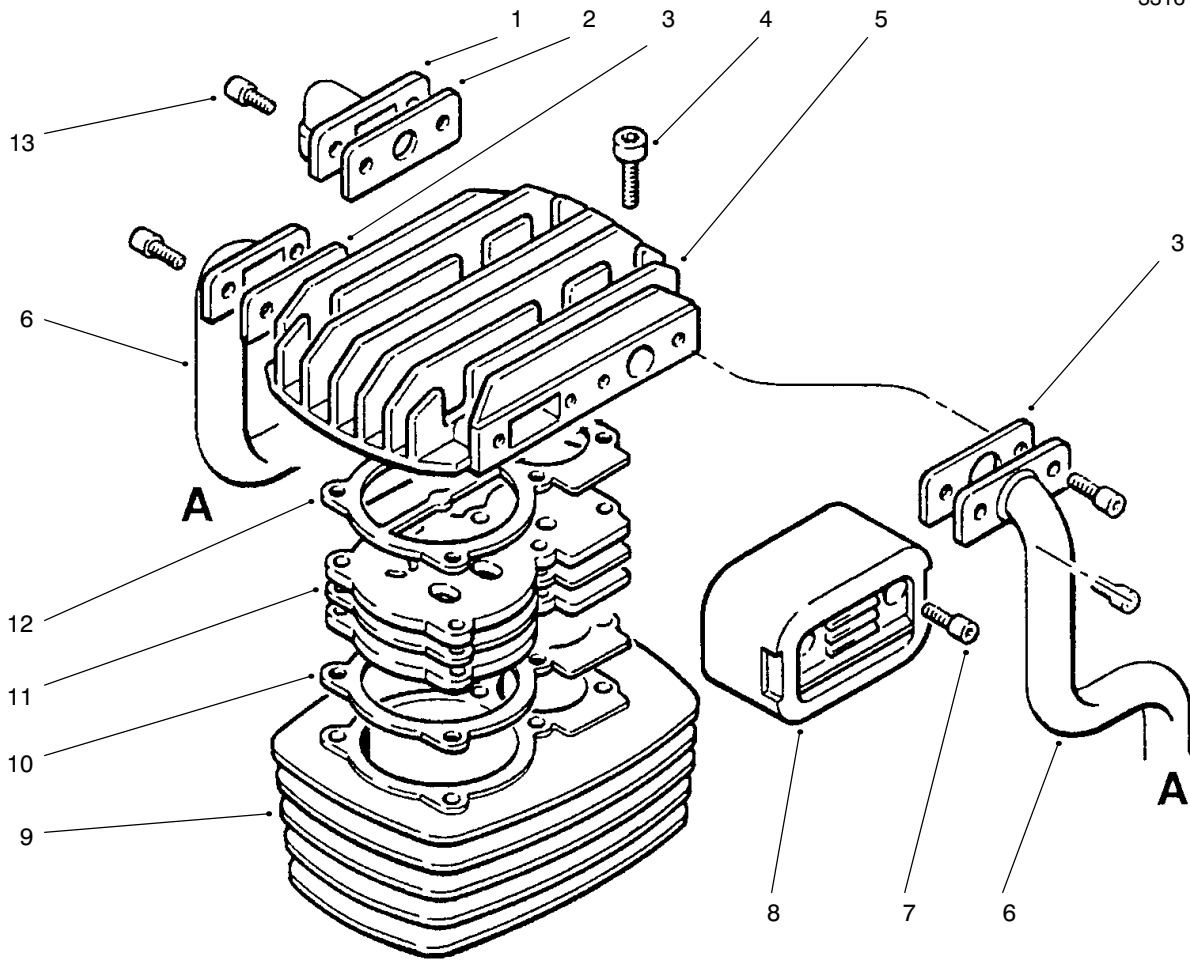


T-1799

FRAME ASSEMBLY

Ref. No.	Part No.	Description	No. Used
1	32121-79	Pin - Roll	1
2	92-9046	Bolt - Draw	1
3	65-9090	Washer	2
4	32148-9	Insert - Thread	4
5	3235-22	Screw	4

Ref. No.	Part No.	Description	No. Used
6	3290-414	Washer - Belleville	4
7	3256-26	Washer - Flat	4
8	92-9048	Spacer	4
9	92-2787	Compressor Frame Assy. (Incl. Ref. #4)	1



T-1803

CYLINDER ASSEMBLY

Ref. No.	Part No.	Description	No. Used
1	92-9636	Adaptor - Outlet	1
2	92-9633	Gasket - Outlet Adaptor	1
3	92-9628	Gasket - Intercooler	2
4	92-9627	Bolt	6
5	92-9626	Cylinder Head	1
6	92-9635	Intercooler	1
7	92-9629	Bolt	2
8	92-9638	Filter Assembly (Incl. Part #92-9637 - Filter Element)	1

Ref. No.	Part No.	Description	No. Used
9	92-9600	Cylinder	1
10	92-9623	Head Gasket	1
11	92-9640	Gasket - Valve Plate (Middle)	1
12	92-9625	Gasket - Valve Plate (Upper)	1
13	92-9631	Bolt	4

TORO PART NUMBER INDEX

3316-438 Rev. A

Part No.	Description	Pg. No.	Ref. No.	Qty.	Part No.	Description	Pg. No.	Ref. No.	Qty.
52-9950	Belt - V	3	5	1	92-9609	Seal - Oil	6	18	1
65-9090	Washer	4	3	2	92-9610	Cover - Bearing Open	6	19	1
66-6840	Decal - Hot Surface	2	1	1	92-9611	Bolt	6	8	8
67-5360	Decal - Danger	1	7	1	92-9612	Crankcase	6	17	1
80-8040	Decal - Caution	3	2	1	92-9613	Gasket - Crankcase Pan	6	15	1
83-6620	Decal - Instruction	1	13	1	92-9614	Bolt	6	14	8
92-2784	Decal - Features	1	19	1	92-9615	Pan - Crankcase	6	13	1
92-2787	Compressor Frame Assy.	4	9	1	92-9616	Washer	6	12	1
92-2788	Decal - Important	2	2	1	92-9617	Bolt	6	11	1
92-2789	Grommet	1	24	1	92-9618	Oil Sight Glass w/Gasket	6	10	1
92-2790	Grommet	1	26	1	92-9619	Cover - Bearing Closed	6	9	1
92-2793	Air Tank Assembly	1	20	1	92-9620	Gasket - Cylinder	6	4	1
92-2794	Shield Assembly	3	1	1	92-9621	Piston Assembly	6	3	1
92-2795	Heat Shield Assembly	2	11	1	92-9622	Ring Set (Low Pressure)	6	2	1
92-2798	Brace - Tank	1	30	1	92-9623	Head Gasket	5	10	1
92-9037	Pump - Compressor	3	7		92-9625	Gasket - Valve Plate	5	12	1
92-9042	Mount - Compressor	2	10	1	92-9626	Cylinder Head	5	5	1
92-9046	Bolt - Draw	4	2	1	92-9627	Bolt	5	4	6
92-9047	Harness - Wire	1	28	1	92-9628	Gasket - Intercooler	5	3	2
92-9048	Spacer	4	8	4	92-9629	Bolt	5	7	2
92-9053	Valve - Check	1	14	1	92-9630	Washer	6	21	1
92-9054	Valve - Relief	1	22	1	92-9631	Bolt	5	13	4
92-9055	Fitting - Straight	1	17	1	92-9632	Bolt	6	22	1
92-9056	Nut - Compression	1	16	2	92-9633	Gasket - Outlet Adaptor	5	2	1
92-9057	Sleeve - Compression	1	15	2	92-9635	Intercooler	5	6	1
92-9058	Drain Cock	1	8	2	92-9636	Adaptor - Outlet	5	1	1
92-9059	Gauge	1	21	1	92-9638	Filter Assembly	5	8	1
92-9060	Switch	1	25	1	92-9639	Flywheel	6	20	1
92-9061	Tee - Street	1	23	1	92-9640	Gasket - Valve Plate	5	11	1
92-9062	Nipple	1	27	1	322-5	Screw - Cap Hex. Hd.	2	9	1
92-9063	Nipple	1	6	1	322-5	Screw - Hex Head	1	9	5
92-9064	Tee - Street	1	4	1	323-6	Screw - Hex Head	2	3	2
92-9065	Plug	1	12	1	323-6	Screw - Hex Head	3	3	4
92-9066	Fitting - Female	1	11	1	323-10	Screw - Hex Head	3	6	4
92-9067	Fitting - Female	1	3	1	3235-22	Screw	4	5	4
92-9068	Fitting - Male	1	2	1	3256-23	Washer - Flat	2	6	4
92-9069	Hose	1	1	1	3256-23	Washer - Flat	1	10	5
92-9070	Filter - Regulator	1	5	1	3256-24	Washer - Flat	3	4	4
92-9071	Tube - Inlet	1	18	1	3256-24	Washer - Flat	2	7	6
92-9600	Cylinder	5	9	1	3256-26	Washer - Flat	4	7	4
92-9601	Ring Set (High Pressure)	6	1	1	3290-414	Washer - Belleville	4	6	4
92-9602	Arm - Piston	6	23	1	3296-29	Nur - Lock	2	8	1
92-9603	Rod - Connecting	6	16	2	3296-29	Nut - Lock	1	29	1
92-9604	Crankshaft	6	24	1	32107-10	Nut - Square	2	5	1
92-9605	Bolt - Socket Head	6	25	6	32121-79	Pin - Roll	4	1	1
92-9606	Cap - Oil	6	5	1	32148-9	Insert - Thread	4	4	4
92-9607	Bearing - Crankshaft	6	6	2	32153-2	Nut - Lock	2	4	4
92-9608	Gasket - Bearing Cover	6	7	2					

*Not Illustrated

