



# Folding Windshield Kit

## for Workman® HD/ HDX, HDX-D Utility Vehicle

Model No. 07373

### Installation Instructions

**Note:** Determine the left and right sides of the machine from the normal operating position.

**Note:** To attach the folding windshield kit, you must have the canopy kit, model 07372 installed on your vehicle.

## Installation

### Loose Parts

Use the chart below to verify that all parts have been shipped.

Description	Qty.	Use
Windshield, folding	1	Install the folding windshield kit.
Snap on clip, windshield (10 inch)	3	
Snap on clip, windshield (2 inch)	4	
Receiver clip	2	
Windshield tube	1	
Bolt (1/4 x 1-1/4 inch)	2	
Flat washer (1/4 inch)	2	
Capped nut (1/4 inch)	2	

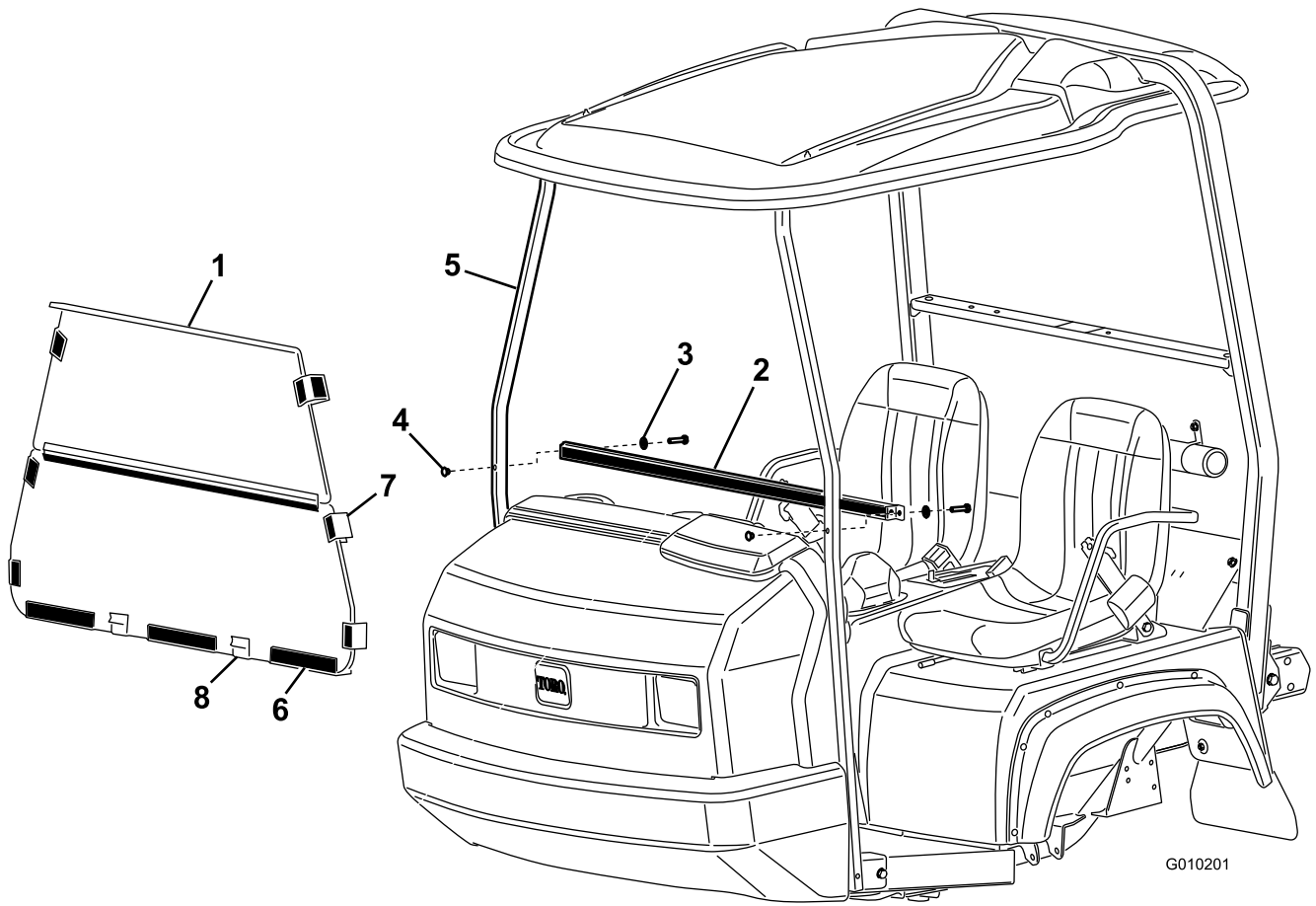
1. Position the machine on a level surface. Set the parking brake, turn the ignition off, and remove the key.



**If you leave the key in the ignition switch, someone could accidentally start the engine and seriously injure you or other bystanders.**

**Remove the key from the ignition switch before you do any maintenance.**

2. Attach the windshield tube to the front support tubes on the canopy using two bolts (1/4 x 1-1/4 inch), two flat washers, and two capped nuts (Figure 1).
3. Remove the protective film from the windshield.
4. Install the snap-on clips (2 and 10 inch) to the windshield as shown in Figure 1.
5. Hold the rubber clips (Figure 1) and attach the top of the windshield to the canopy frame.
6. Attach the snap-on clips on the side of the windshield to the canopy frame. Align the clips on the bottom of the windshield with the windshield tube and press the windshield securely into place (Figure 1).
7. Ensure that all of the clips are secured firmly to the frame.



G010201

**Figure 1**

- |                         |                               |                          |
|-------------------------|-------------------------------|--------------------------|
| 1. Folding Windshield   | 4. Capped nut                 | 7. Snap-on clip (2 inch) |
| 2. Windshield tube      | 5. Canopy front support tubes | 8. Receiver clip         |
| 3. Bolt and flat washer | 6. Snap-on clip (10 inch)     |                          |

# Maintenance



Remove the folding windshield before transporting the vehicle on a trailer.

**Important:** To prevent degrading of the windshield or clips, clean the windshield with mild soap and water only. Do not use glass cleaners and solvents such as ammonia, alcohol, and petroleum distillates.