



48cm Recycler[®]/Rear Bagging Lawn Mower

Model No. 20817 - 290000001 and up.

Parts Catalog

Ordering Replacement Parts

To order replacement parts, please supply the part number, the quantity, and the description of each part desired.

Understanding Reference Numbers

Each identified part in an illustration has a reference number. The reference number for a part also appears in the parts list, along with other information about the part.

This catalog uses two special reference number formats, one to indicate parts in a service assembly and another to indicate the quantity of a given part in an illustration.

Service Assembly Reference Numbers

Parts in service assemblies have reference numbers in the form a:b. The a represents the reference number of the entire service assembly and the b represents a sequential number unique to each part within the service assembly.

For example, a wheel assembly might be identified by reference number 6, the tire by 6:1, the valve by 6:2, and the wheel by 6:3. When you order the assembly identified by reference number 6, you receive all parts identified by reference numbers 6:1, 6:2, and 6:3. However, you may also order any part individually. Reference numbers of this type appear in illustrations and in part lists.

Reference Numbers Indicating Quantity

In an illustration, if a reference number indicates more than one part, the reference number has the form nX y. The n represents the quantity of the part, the X is the multiplication symbol, and the y represents the reference number.

For example, in an illustration, the reference number 2X 37 means that two of the parts identified by reference number 37 are indicated.

Contents

Description	Page	Description	Page
Housing Assembly 3	Carburetor Assembly Briggs and Stratton 126T02-0231-B1 13
Drive Assembly 4	Air Cleaner Assembly Briggs and Stratton 126T02-0231-B1 14
Gear Case Assembly No. 104-7593 5	Governor Assembly Briggs and Stratton 126T02-0231-B1 15
Engine Assembly 6	Muffler and Fuel Tank Assembly Briggs and Stratton 126T02-0231-B1 16
Height-of-Cut and Wheel Assembly 7	Blower Housing Assembly Briggs and Stratton 126T02-0231-B1 17
Handle and Control Assembly 8	Starter Assembly Briggs and Stratton 126T02- 0231-B1 18
Rear Bag Assembly 9	Engine Gasket Set Briggs and Stratton 126T02-0231-B1 19
Cylinder Assembly Briggs and Stratton 126T02-0231-B1 10	Carburetor Overhaul Kit Briggs and Stratton 126T02-0231-B1 20
Crankshaft Assembly Briggs and Stratton 126T02-0231-B1 11		
Crankcase Assembly Briggs and Stratton 126T02-0231-B1 12		

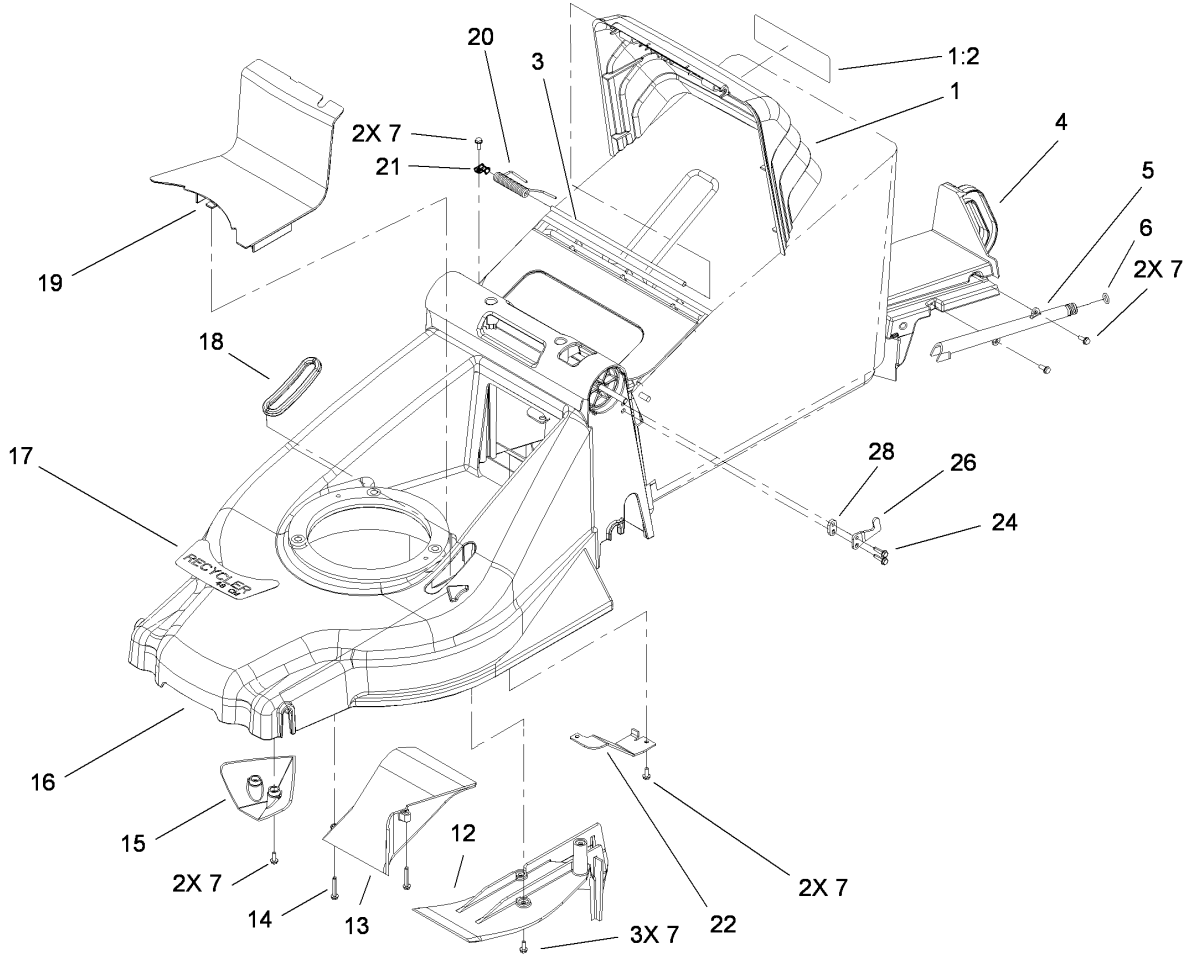
Part Description Abbreviations

Part descriptions in this catalog may include the following abbreviations.

AR. as required	HYD. hydraulic
ASM. assembly	LH. left hand
BBC. blade brake clutch	NI. nylon insert
CARR. carriage	NPTF. national pipe thread fine
DEG. degrees	PFH. phillips flat head
EXT. external	PPH. phillips pan head
FH. flat head	PPHTF. phillips pan head thread forming
GA. gauge	PRH. phillips round head
HD. heavy-duty	PTH. phillips truss head
HF. hex flange	PTO. power-take-off
HH. hex head	RH. right hand
HHF. hex head flange	ROPS. roll-over protection system
HHFTF. hex head flange thread forming	SFH. slotted fillister head
HJ. hex jam	SHH. slotted hex head
HLH. hex lag head	SHWH. slotted hex washer head
HOC. height-of-cut	SPH. slotted pan head
HSBH. hex socket button head	SQH. square head
HSFH. hex socket flat head	SRH. slotted round head
HSH. hex socket head	STD. standard
HWH. hex washer head	TAP. self tapping
HWHTF. hex washer head thread forming	TTH. torx truss head

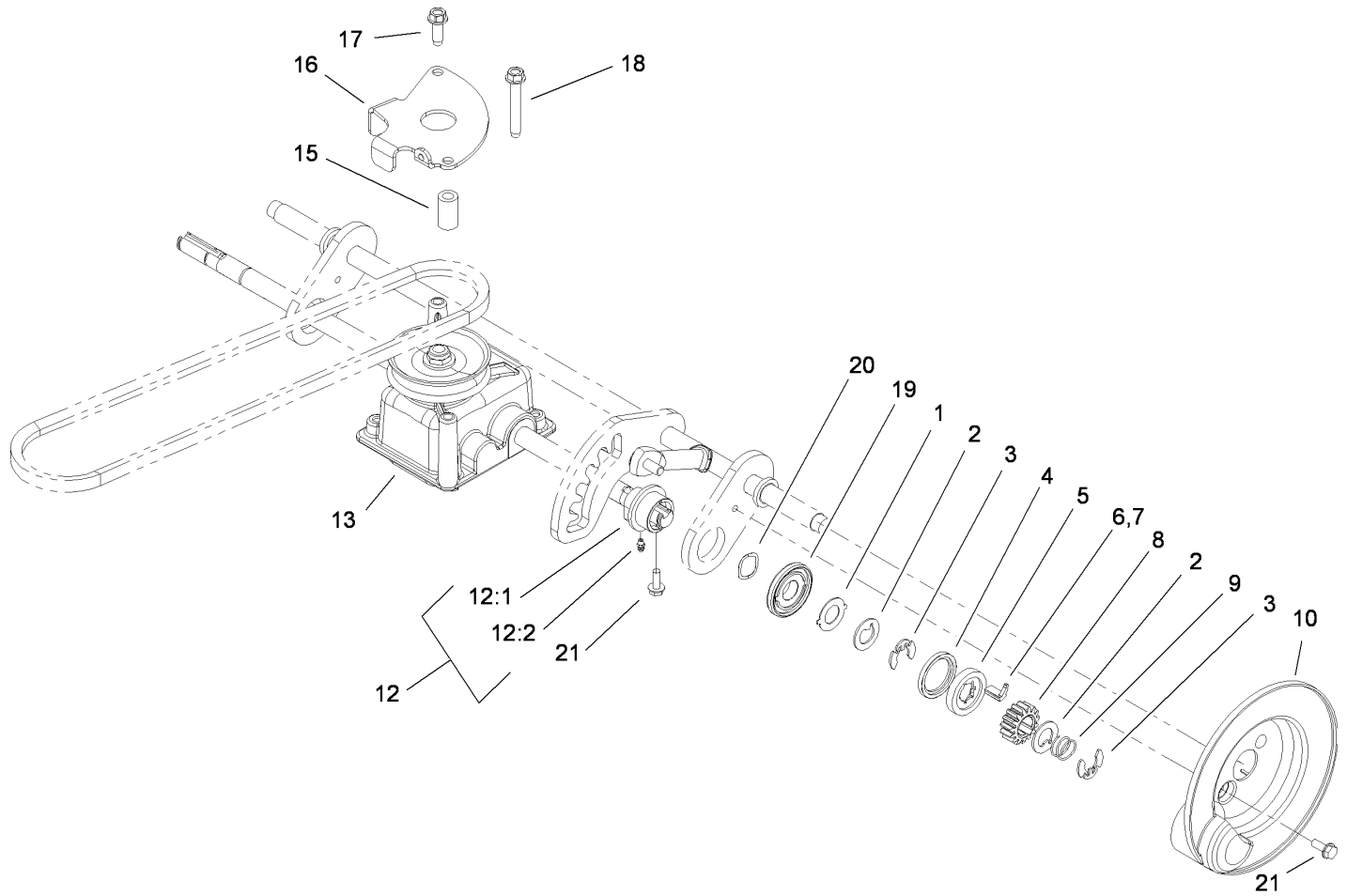
Footnotes

- | | |
|---|--|
| ❶ Not illustrated | ❷ Not serviced separately |
| ❸ Obtain from your local Briggs & Stratton dealer | ❹ Included in Carburetor Overhaul Kit (Ref. No. 121) |
| ❺ Included in Engine Gasket Set (Ref. No. 358) | ❻ Included in Carburetor Gasket Set (Ref. No. 977) |



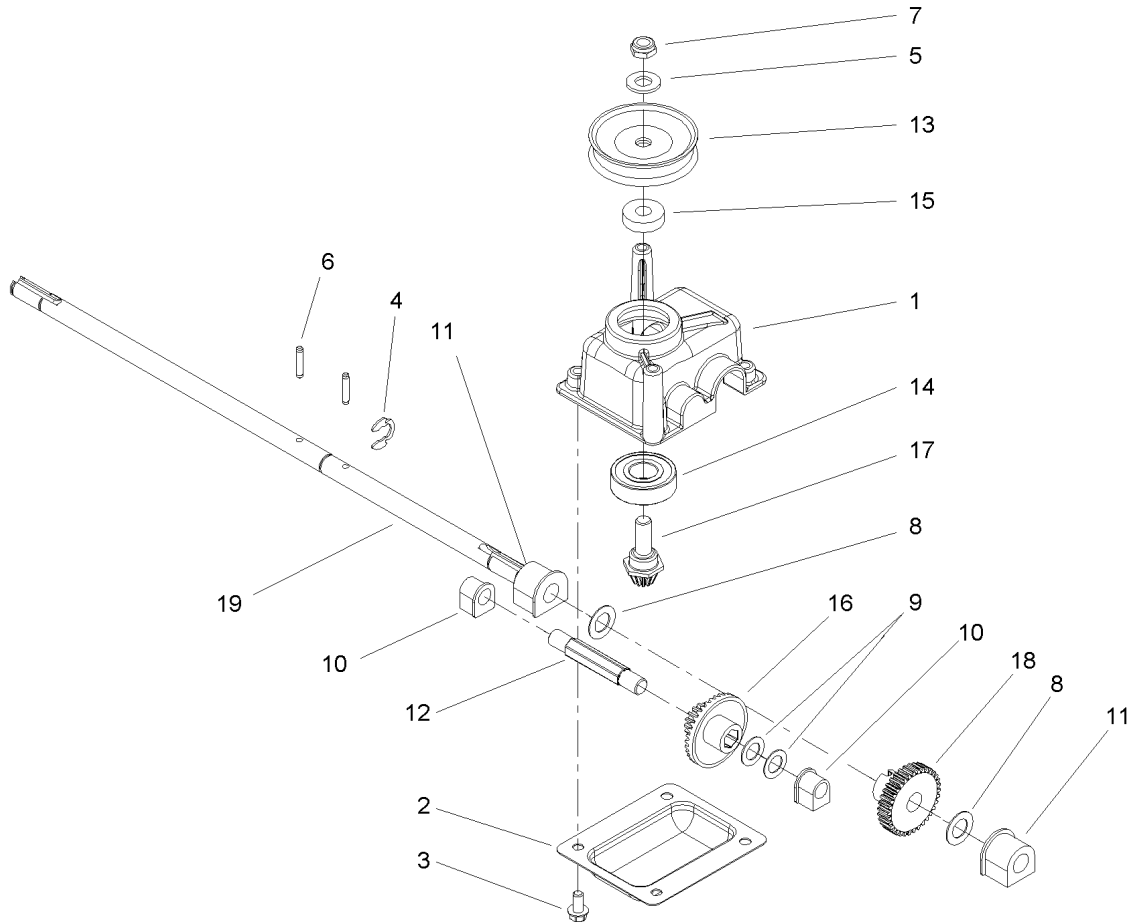
Housing Assembly

Ref	Part No.	Qty.	Description
1	100-9115	1	Door ASM
1:2	112-8759	1	Decal-Warning
3	100-1509	1	Rod-Pivot
4	100-1505	1	Plug-Kicker, Recycler
5	100-1522	1	Fitting-Washout
6	46-6290	1	O-Ring Seal
7	32144-1	11	Screw-Taptite
12	99-6486	1	Cover-Kicker, Rear
13	100-1506	1	Ramp-Discharge
14	100-4352	2	Screw-HWH
15	99-6485	1	Kicker-Front
16	104-7579	1	Deck
17	110-9169	1	Decal-Recycler, Deck
18	100-3932	1	Boot-HOC
19	99-6479	1	Cover-Belt
20	104-7594	1	Spring-Torsion
21	98-2256	2	Clamp
22	100-9123-03	1	Bracket-Deck
24	100-4351	4	Screw-HWH
26	104-7557	1	Hook-Left
27	104-7558	1	Hook-Right
28	104-7556	2	Spacer



Drive Assembly

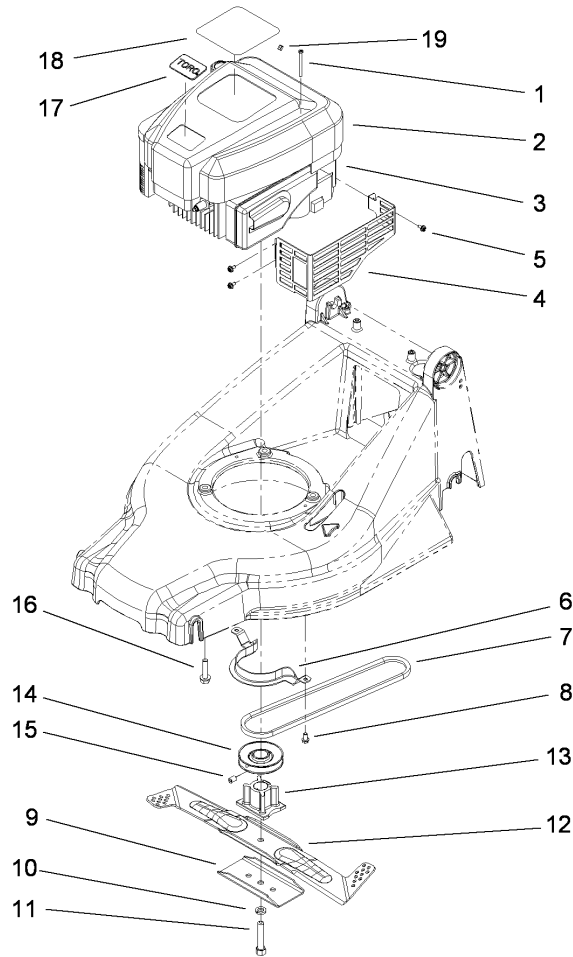
Ref	Part No.	Qty.	Description
1	65-4730	2	Washer-Arm, Pivot
2	65-4740	4	Washer-Thrust, Keyed
3	65-2720	4	Ring-Clip, Locking
4	65-4710	2	Ring-Friction
5	65-4760	2	Washer-Clutch
6	66-6040	1	Key-Rocking, RH
7	66-6050	1	Key-Rocking, LH
8	65-4750	2	Gear-Pinion
9	65-4720	2	Spring-Compression
10	100-1513	2	Cover-Gear
12	100-9118	2	Bushing ASM
12:1	99-6463	1	Bushing
12:2	302-56	1	Fitting-Grease
13	104-7593	1	Gear Case ASM
15	614673	1	Bushing-Plate, Actuator
16	100-1524-03	1	Guide-Transmission
17	49-2040	1	Screw-HWHTF
18	92-1616	1	Screw-HWHTF
19	100-1511	2	Retainer-Ring
20	100-1515	2	Washer-Wave
21	32144-1	4	Screw-Taptite



Gear Case Assembly No. 104-7593

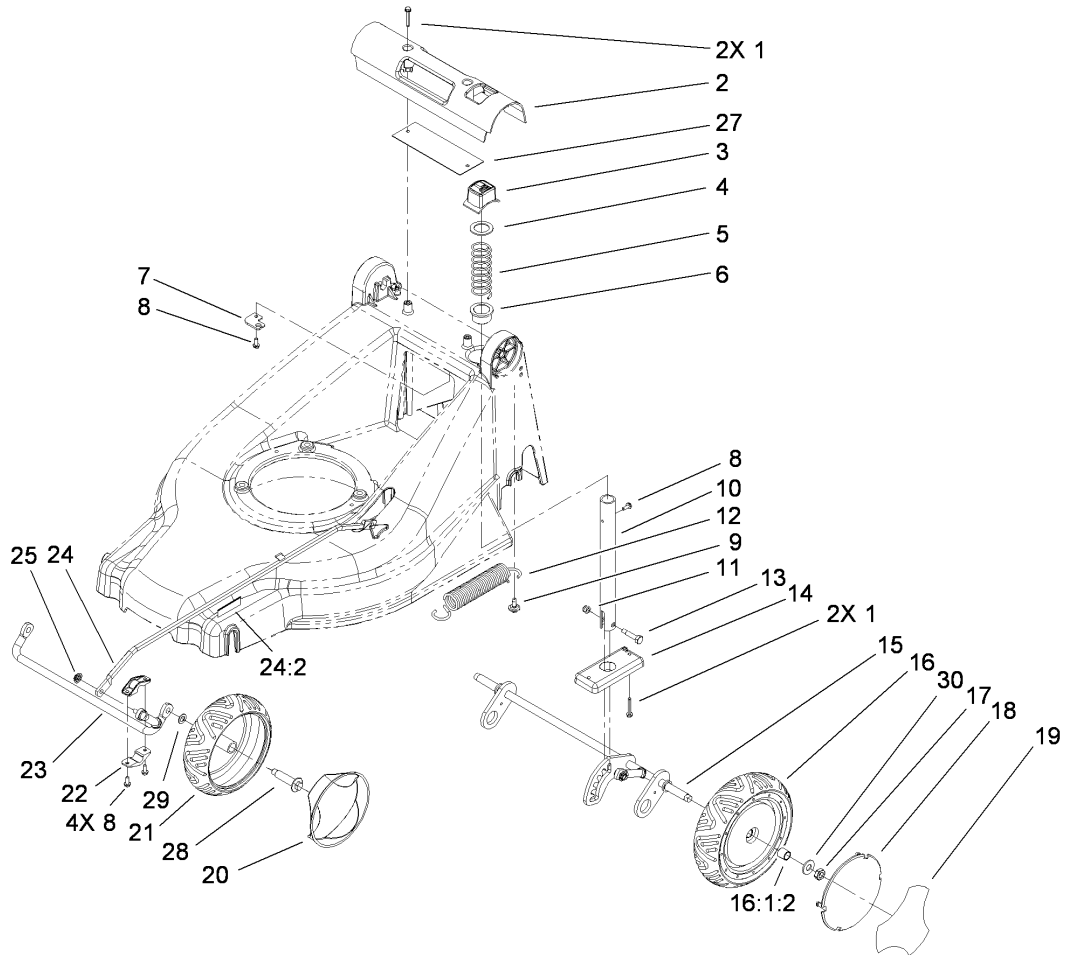
Ref	Part No.	Qty.	Description
1	104-7619	1	Case-Gear
2	614668-03	1	Cover-Case, Gear
3	32144-4	4	Screw-HWH
4	32151-68	1	Ring-Retaining
5	3256-24	1	Washer-Flat
6	3285-19	2	Pin-Groove
7	3296-5	1	Nut-Lock
8	36-4780	2	Washer-Plain
9	36-4791	2	Washer-Thrust
10	60-8750	2	Bushing
11	60-8850	2	Bushing
12	614696	1	Shaft-Intermediate
13	100-1176	2	Pulley-Half
14	100-1048	1	Bearing-Ball
15	62-6660	1	Spacer
16	104-7668	1	Gear-15T Spur, 37T Bevel
17	104-7667	1	Gear-Pinion, Bevel
18	614596	1	Gear
19	100-1514	1	Shaft-Output

--	--	--	--



Engine Assembly

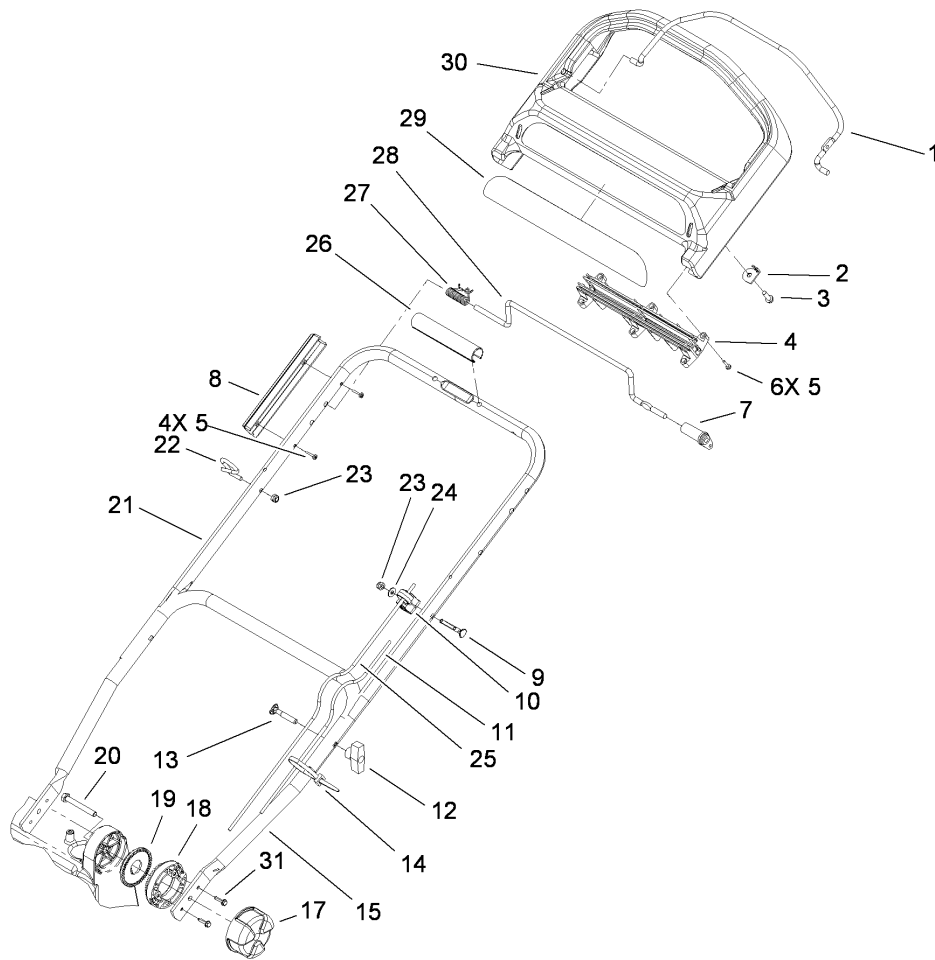
Ref	Part No.	Qty.	Description				
1	32144-121	2	Screw-PPH				
2	93-0243	1	Shroud-Engine				
2 3		1	Engine-Briggs, 126T02-0231-B1				
4	104-7577-03	1	Shield-Muffler				
5	104-2065	3	Screw-HWH				
6	100-1523-03	1	Guide-Belt, Engine				
7	93-0232	1	V-Belt				
8	32144-4	2	Screw-HWH				
9	80-0510-03	1	Stiffener-Blade				
10	3253-22	1	Washer-Lock				
11	100-4368	1	Bolt-Blade				
12	105-0525-03	1	Blade				
13	104-7554	1	Retainer-Blade				
14	100-1102	1	Pulley ASM				
15	104-0214	1	Screw-Set				
16	32144-102	3	Screw-HWH				
17	98-3206	1	Decal				
18	114-5364	1	Decal-Engine				
19	2210-316	1	Stop-Rope				



Height-of-Cut and Wheel Assembly

Ref	Part No.	Qty.	Description
1	100-4352	4	Screw-HWH
2	99-6487	1	Handle-Deck
3	99-6480	1	Button-HOC
4	88-7540	1	Washer-Backup
5	99-6481	1	Spring-Compression, HOC
6	99-6483	1	Bushing-HOC
7	100-1525	1	Bracket-Cable, Traction
8	32144-1	6	Screw-Taptite
9	92-9698	1	Screw-Shoulder
10	99-6458	1	Pipe-HOC
11	3296-73	1	Nut-Lock, NI
12	100-4384	1	Spring-Extension, HOC
13	99-6459	1	Bolt-Shoulder
14	99-6460	1	Plate-Support, HOC
15	99-6478	1	Rear Axle ASM
16	99-6471	2	Wheel And Tire ASM Int.
16:1		1	Wheel ASM
16:1:2	27-6250	2	Bushing
17	108-8890	2	Nut-Jam, Lock
18	100-4366	2	Cover-Wheel, Smart
19	100-9114	2	Decal-Smart Wheel
20	95-6543	2	Cover-Wheel
21	99-6470	2	Wheel ASM
22	100-1500	4	Mount-Axle, Front

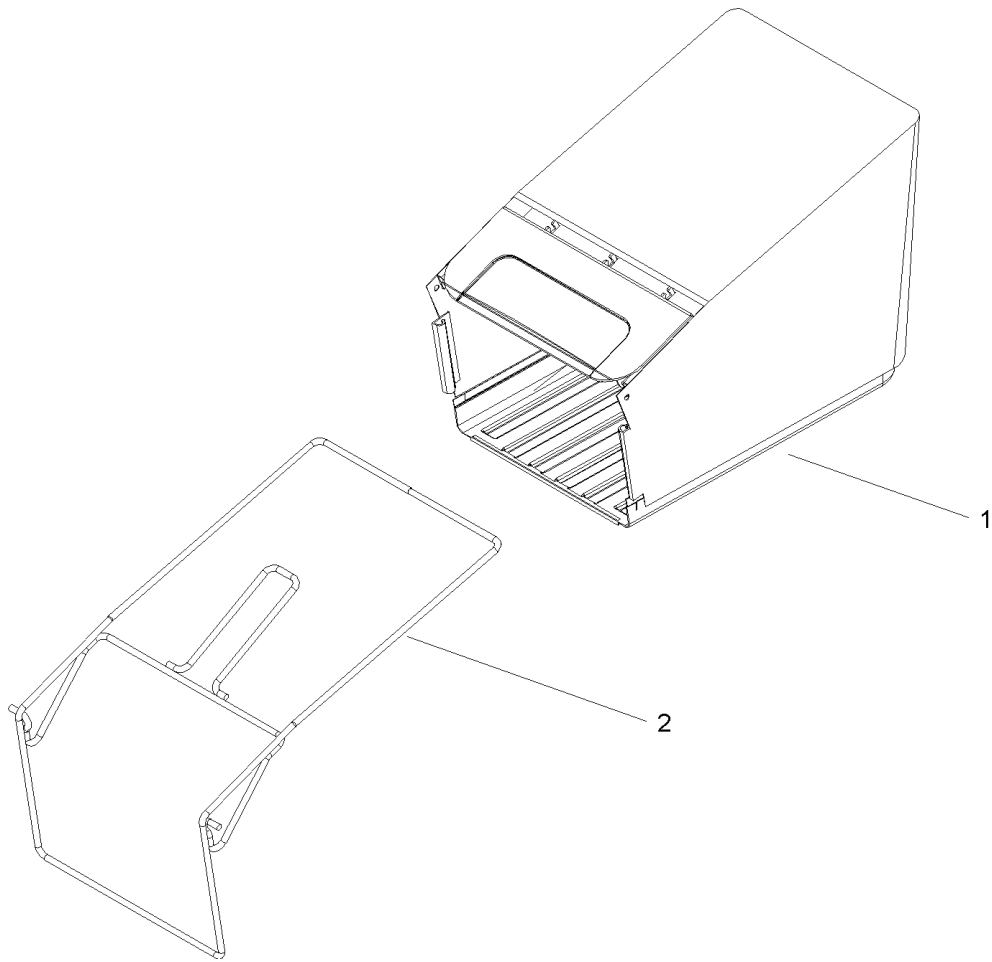
Ref	Part No.	Qty.	Description
23	104-7562	1	Front Axle ASM
24	100-9116	1	Rod ASM
24:2	100-4355	1	Decal-HOC
25	100-3939	2	Palnut
27	100-4383-03	1	Cover-Handle
28	614650	2	Bolt-Shoulder
29	40-1940	2	Washer
30	3256-4	2	Washer-Flat



Handle and Control Assembly

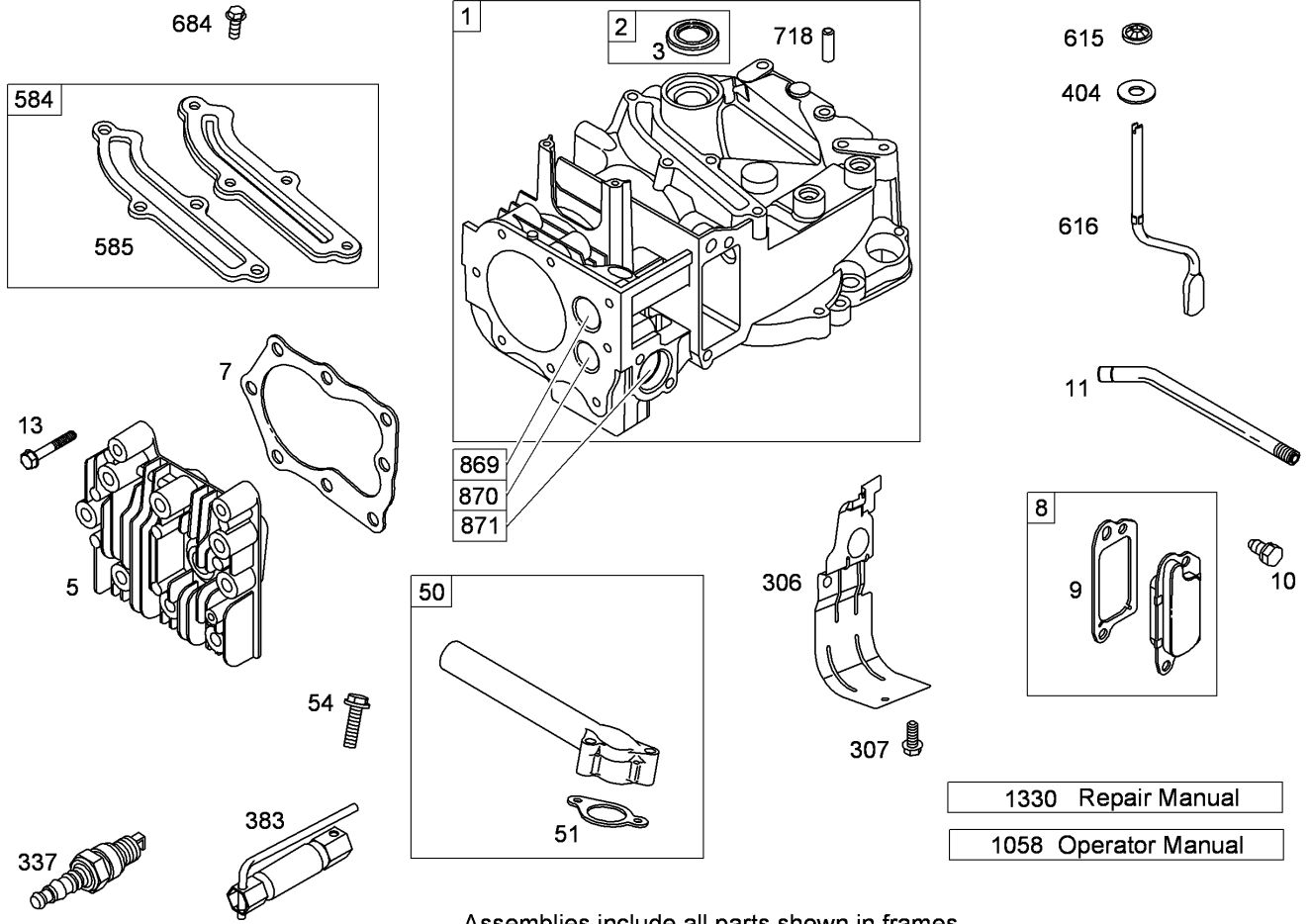
Ref	Part No.	Qty.	Description
1	99-1593-03	1	Bail-Brake
2	106-2662	1	Retainer-Cable
3	46-8091	1	Screw-HWH
4	99-6008	1	Retainer-Control Rod, Traction
5	94-4496	10	Screw-PPH
7	99-1589	1	Lever-Traction
8	99-1590	2	Guide-Handle, Control
9	95-4453	1	Screw
10	99-5239	1	Anchor-Cable
11	100-3936	1	Cable-Traction
12	98-7134	2	Knob-Handle
13	92-2260	2	Screw-Handle
14	3290-378	2	Tie-Cable
15	100-1502-05	1	Handle-Lower
17	100-4396	2	Knob-Adjusting, Handle
18	104-7553-03	2	Disk-Adjusting, Handle
19	100-1517	2	Disk-Holding, Handle
20	60-6690	2	Capscrew
21	99-1596-05	1	Handle-Upper
22	86-9671	1	Guide-Rope
23	3296-73	2	Nut-Lock, NI
24	3256-1	1	Washer-Flat
25	117-4054	1	Brake Cable ASM
26	100-5970	1	Cover-Handle

Ref	Part No.	Qty.	Description
27	99-1592	1	Spring-Torsion, RH
28	99-1588	1	Bar-Control, Traction
29	105-8643	1	Decal-Panel
30	99-1582	1	Handle-Control
31	100-4351	4	Screw-HWH



Rear Bag Assembly

Ref	Part No.	Qty.	Description
1	104-7578	1	Grass Bag ASM
2	104-7560-03	1	Bag Frame ASM

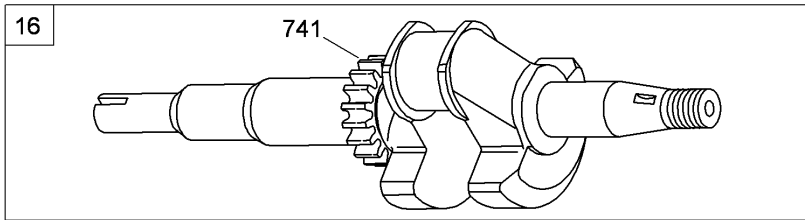
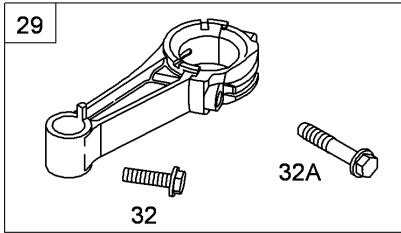
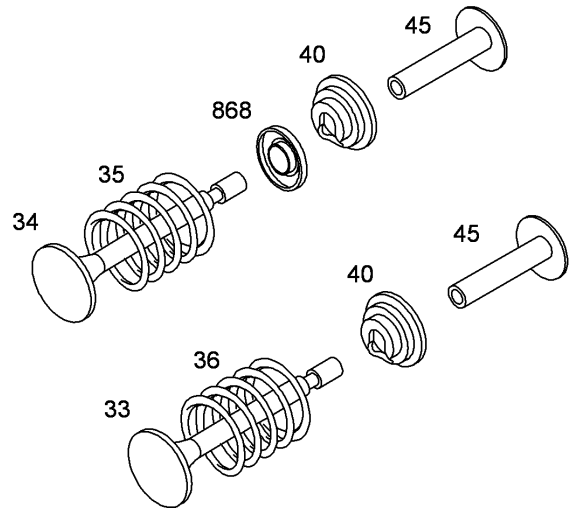
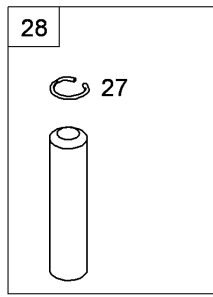
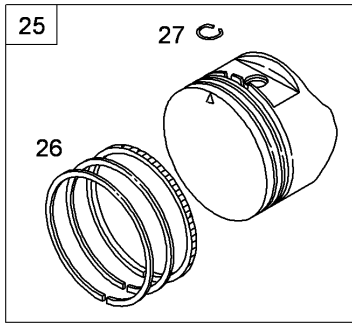


Assemblies include all parts shown in frames

Cylinder Assembly Briggs and Stratton 126T02-0231-B1

Ref	Part No.	Qty.	Description
1	697322	1	Cylinder ASM
2	399269	1	Bushing And Seal Kit
3	299819s	1	Seal-Oil (Magneto Side)
5	691160	1	Head-Cylinder
7	692249	1	Gasket-Head, Cylinder
8	695250	1	Breather ASM
9	696125	1	Gasket-Breather
10	691125	1	Screw (Breather ASM)
11	691781	1	Tube-Breather
13	690912	1	Screw (Cylinder Head)
50	794305	1	Manifold-Intake
51	794306	1	Gasket-Intake
54	691650	1	Screw (Intake Manifold)
306	790836	1	Shield-Cylinder
307	690345	1	Screw (Cylinder Shield)
337	802592s	1	Plug-Spark
383	89838s	1	Wrench-Spark Plug
404	690272	1	Washer (Governor Crank)
584	697734	1	Cover-Passage, Breather
585	691879	1	Gasket-Passage, Breather
615	690340	1	Retainer-Shaft, Governor
616	698801	1	Crank-Governor
684	690345	1	Screw (Breather Passage Cover)
718	690959	1	Pin-Locating

Ref	Part No.	Qty.	Description
869	691155	1	Seat-Valve (Intake)
870	690380	1	Seat-Valve (Exhaust)
871	262001	1	Bushing-Guide (Exhaust)
871	63709	1	Bushing-Guide (Intake)
1058	MS3262	1	Operator Manual
1330	270962	1	Repair Manual

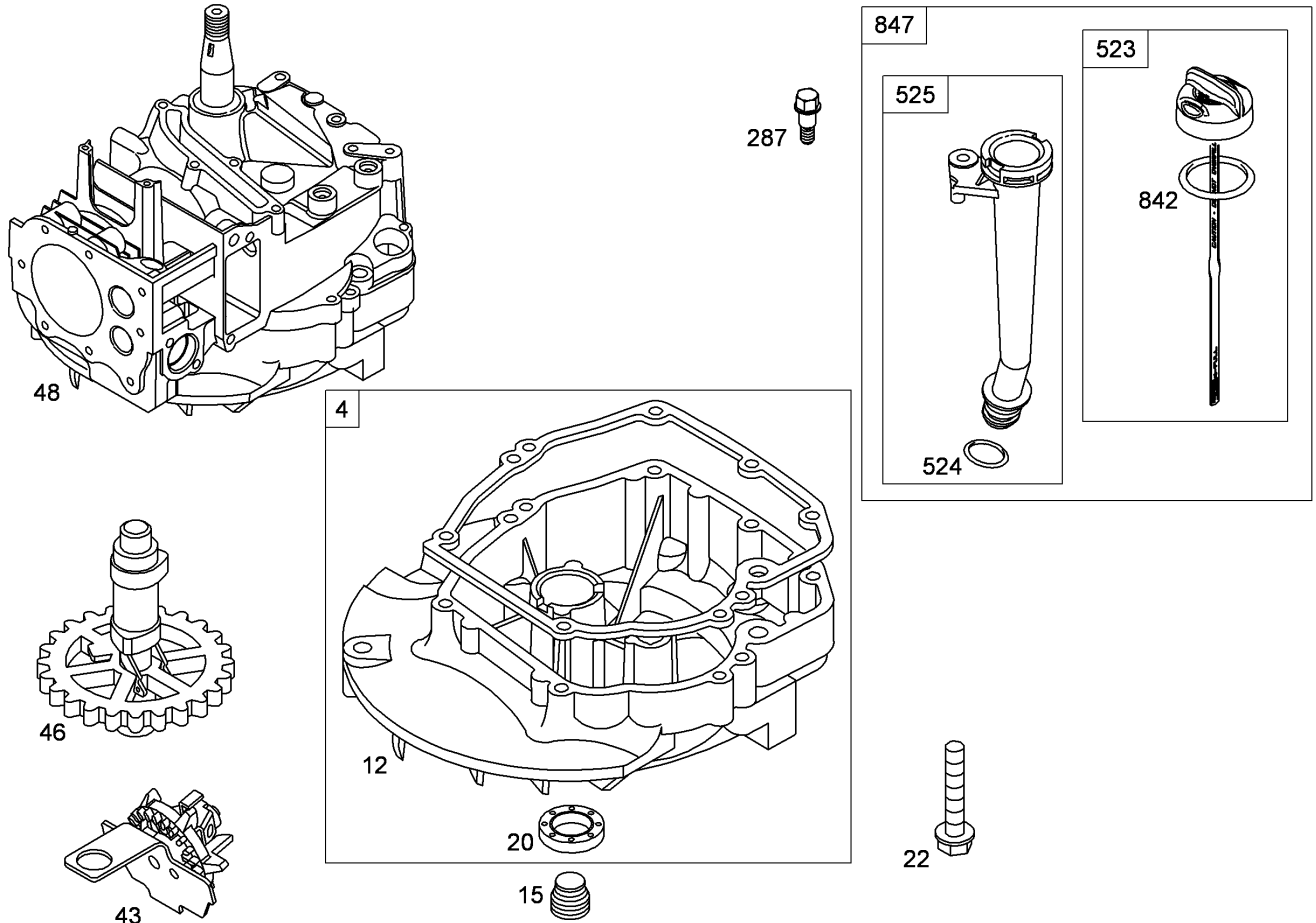


Assemblies include all parts shown in frames

Crankshaft Assembly

Briggs and Stratton 126T02-0231-B1

Ref	Part No.	Qty.	Description
16	696009	1	Crankshaft
24	222698s	1	Key-Flywheel
25	795429	1	Piston ASM (STD)
25	795430	1	Piston ASM (.020 Oversize)
26	795431	1	Ring Set (STD)
26	795432	1	Ring Set (.020 Oversize)
27	691866	1	Lock-Pin, Piston
28	499423	1	Pin-Piston (STD)
29	499424	1	Rod-Connecting
32	691664	1	Screw (Connecting Rod)
32A	695759	1	Screw (Connecting Rod)
33	262651s	1	Valve-Exhaust
34	262652s	1	Valve-Intake
35	691270	1	Spring-Valve (Intake)
36	691270	1	Spring-Valve (Exhaust)
40	692194	1	Retainer-Valve
45	690548	1	Tappet-Valve
741	790345	1	Gear-Timing
868	697338	1	Seal-Valve

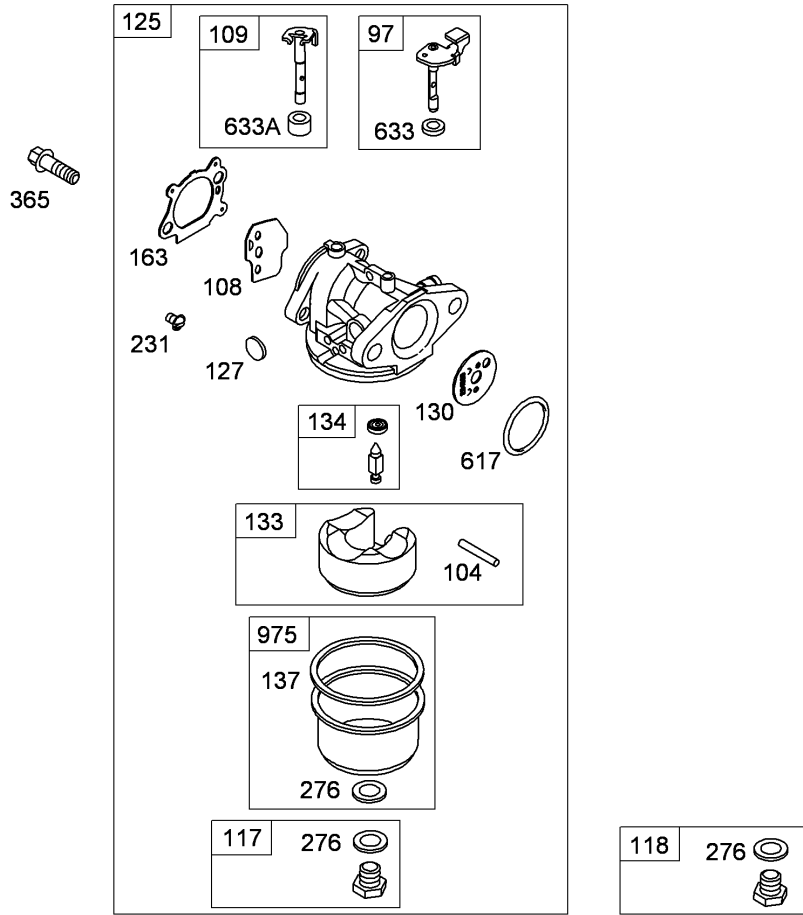


Assemblies include all parts shown in frames

Crankcase Assembly

Briggs and Stratton 126T02-0231-B1

Ref	Part No.	Qty.	Description
4	493279	1	Sump-Engine
4 12	692232	1	Gasket-Crankcase (.015 STD)
15	691680	1	Plug-Drain, Oil
4 20	399781s	1	Seal-Oil (PTO Side)
22	691092	1	Screw (Engine Sump)
43	691997	1	Slinger-Oil, Governor
46	691449	1	Camshaft
48	692748	1	Short Block
287	690940	1	Screw (Dipstick Tube)
523	499621	1	Dipstick
4 524	692296	1	Seal-O Ring (Dipstick Tube)
525	495265	1	Tube-Dipstick
4 842	691031	1	Seal-O Ring
847	692047	1	Dipstick Tube ASM

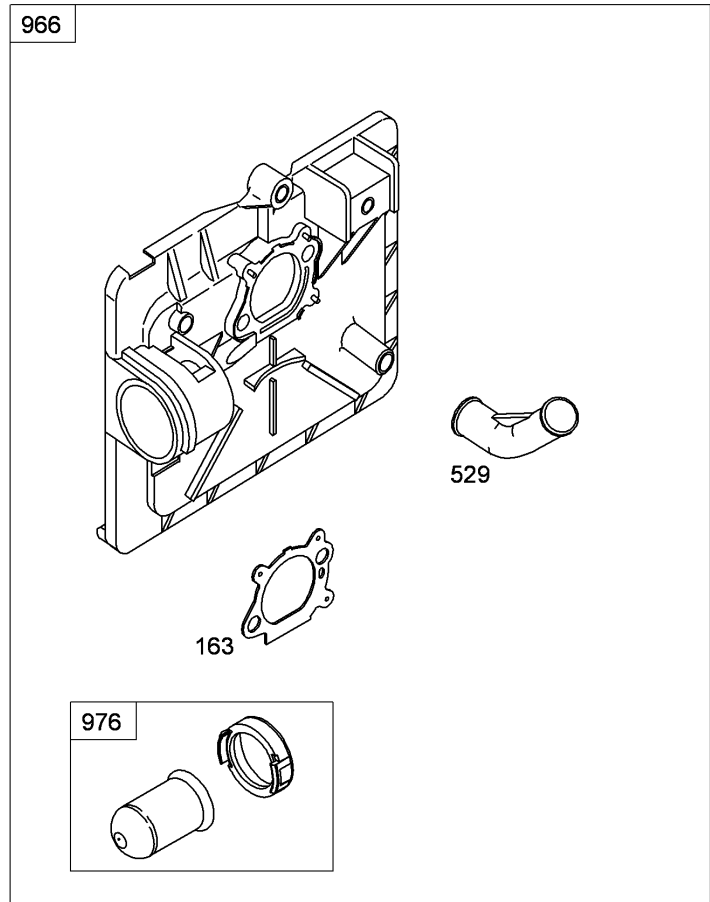
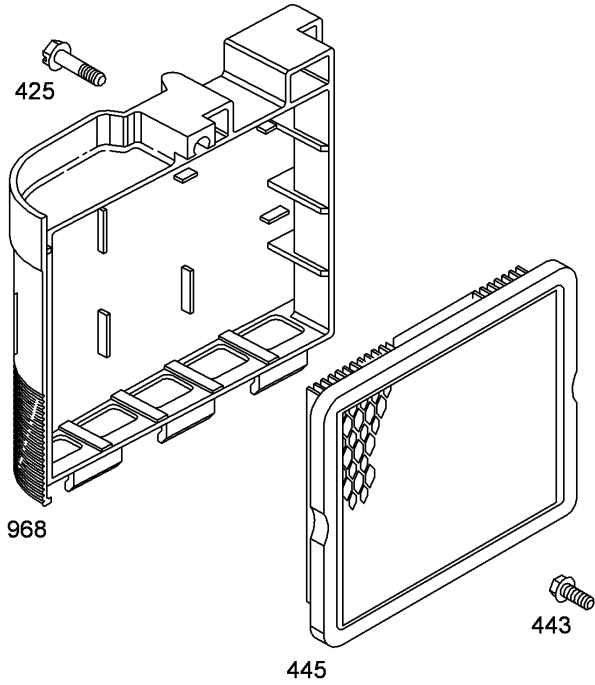


Assemblies include all parts shown in frames

Carburetor Assembly

Briggs and Stratton 126T02-0231-B1

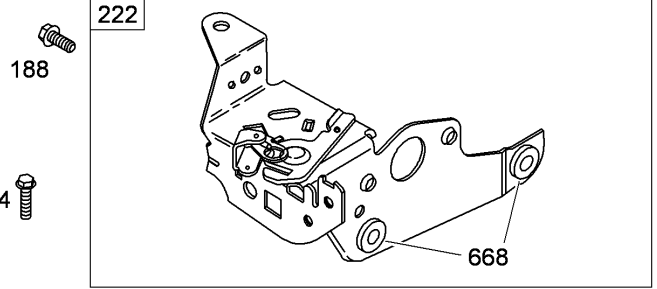
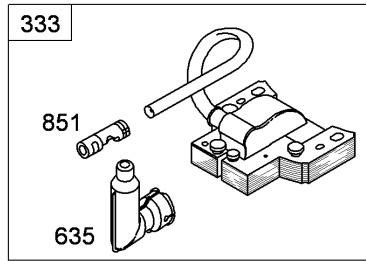
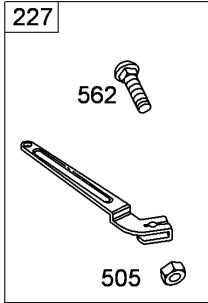
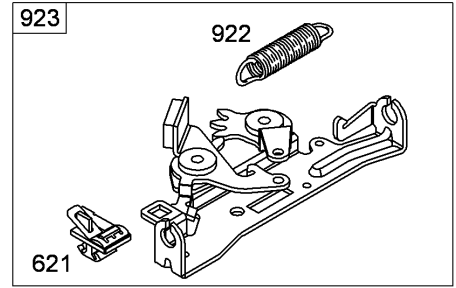
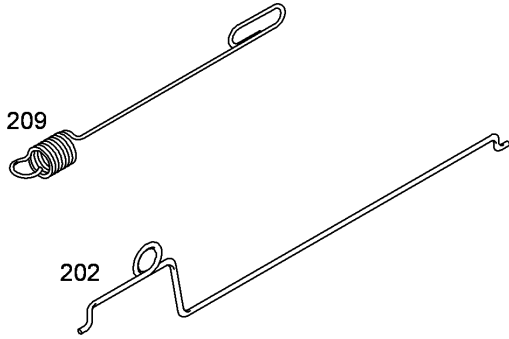
Ref	Part No.	Qty.	Description
③97	696565	1	Shaft-Throttle
③④104	691242	1	Pin-Hinge, Float
③108	790844	1	Valve-Choke
③109	790843	1	Shaft-Choke
③117	691428	1	Jet-Main (Standard)
③118	498977	1	Jet-Main (High Altitude)
③125	794304	1	Carburetor
③④127	694468	1	Plug-Welch
③130	696564	1	Valve-Throttle
③133	398187	1	Float-Carburetor
③④134	398188	1	Needle And Seat Kit
③④137	693981	1	Gasket-Bowl, Float
⑤			
③④163	272653s	1	Gasket-Cleaner, Air
⑤⑥			
③231	691636	1	Screw (Choke Valve)
③④276	271716	1	Washer-Sealing
⑤			
③365	692524	1	Screw (Carburetor)
③④617	270344s	1	Seal-O Ring (Intake Manifold)
⑤			
③④633	691321	1	Seal-Shaft, Choke Throttle
⑤			
③④633A	693867	1	Seal-Shaft, Choke Throttle
⑤			
③975	493640	1	Bowl-Float



Assemblies include all parts shown in frames

Air Cleaner Assembly Briggs and Stratton 126T02-0231-B1

Ref	Part No.	Qty.	Description
③④ 163	272653s	1	Gasket-Cleaner, Air
⑤⑥			
③ 425	690670	1	Screw (Air Cleaner Cover)
③ 443	692523	1	Screw (Air Cleaner Primer Base)
③ 445	491588s	1	Filter-Cartridge, Air Cleaner
③ 529	691923	1	Grommet
③ 966	792040	1	Base-Primer, Air Cleaner
③ 968	692298	1	Cover-Cleaner, Air
③ 976	694395	1	Primer-Carburetor

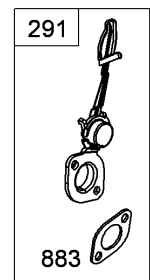
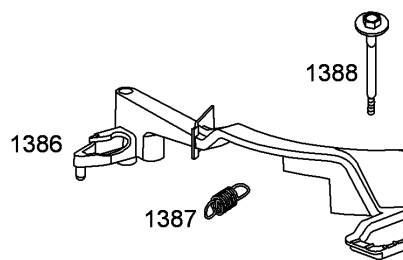
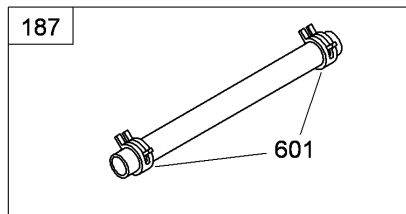
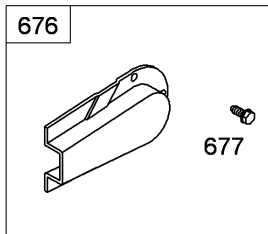
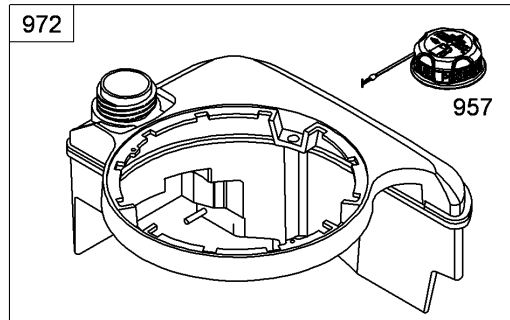
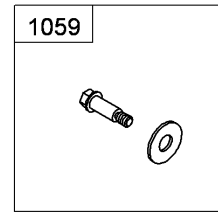
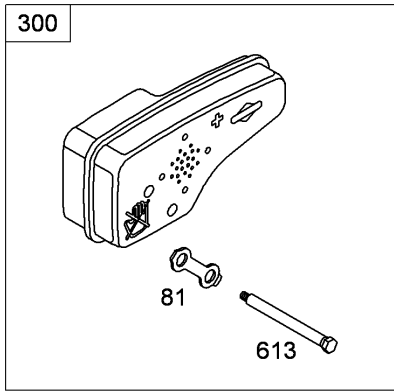


Assemblies include all parts shown in frames

Governor Assembly Briggs and Stratton 126T02-0231-B1

Ref	Part No.	Qty.	Description
188	693399	1	Screw (Control Bracket)
202	691829	1	Link-Governor, Mechanical
209	691852	1	Spring-Governor
222	793754	1	Bracket-Control
227	690783	1	Lever-Control, Governor
333	793353	1	Armature-Magneto
334	691061	1	Screw (Magneto Armature)
356	692390	1	Wire-Stop
505	691251	1	Nut (Governor Control Lever)
562	691119	1	Bolt (Governor Control Lever)
621	692310	1	Switch-Stop
635	793351	1	Boot-Spark Plug
668	493823	1	Spacer
745	691648	1	Screw
851	692424	1	Terminal-Spark Plug
922	691831	1	Spring-Brake
923	691994	1	Brake ASM

--	--	--	--

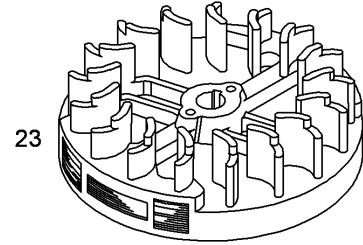
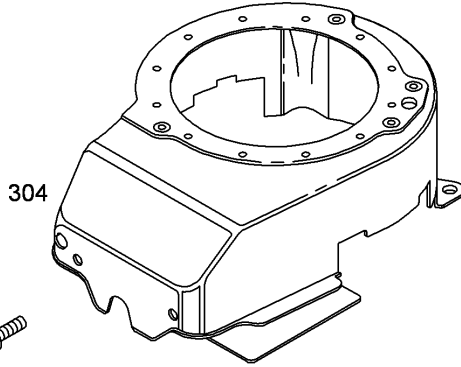
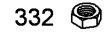
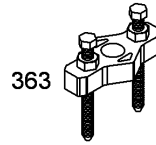
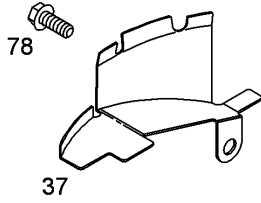


Assemblies include all parts shown in frames

Muffler and Fuel Tank Assembly Briggs and Stratton 126T02-0231-B1

Ref	Part No.	Qty.	Description
81	691740	1	Lock-Screw, Muffler
187	791766	1	Line-Fuel (Cut To Required Length)
190	690940	1	Screw (Fuel Tank)
291	790830	1	Thermostat
300	692038	1	Muffler
601	791850	1	Clamp-Hose
613	691340	1	Screw (Muffler)
670	692294	1	Spacer-Tank, Fuel
676	493871	1	Deflector-Muffler
677	690661	1	Screw (Muffler Deflector)
883	691881	1	Gasket-Exhaust
957	699985	1	Cap-Tank, Fuel
972	699374	1	Tank-Fuel
1059	692311	1	Screw And Washer Kit
1386	790848	1	Vane-Air
1387	790849	1	Spring-Vane, Air
1388	790850	1	Screw (Air Vane)

--	--	--	--



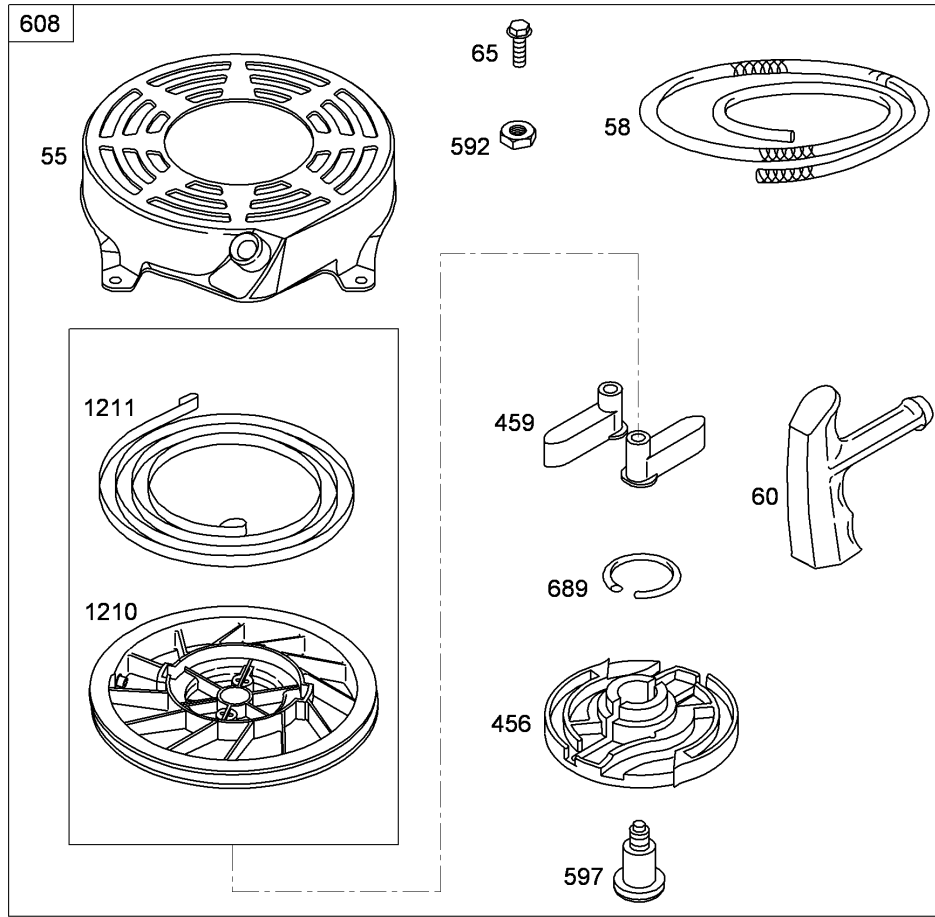
1036 Emissions Label

Assemblies include all parts shown in frames

Blower Housing Assembly Briggs and Stratton 126T02-0231-B1

Ref	Part No.	Qty.	Description
● 23	691987	1	Flywheel
● 37	793756	1	Guard-Flywheel
● 78	691108	1	Screw (Flywheel Guard)
● 304	790983	1	Housing-Blower
● 305	691108	1	Screw (Blower Housing)
● 332	690662	1	Nut (Flywheel)
● 363	19069	1	Puller-Flywheel
● 455	791760	1	Cup-Flywheel
● 1036		1	Label-Emissions

--	--	--	--

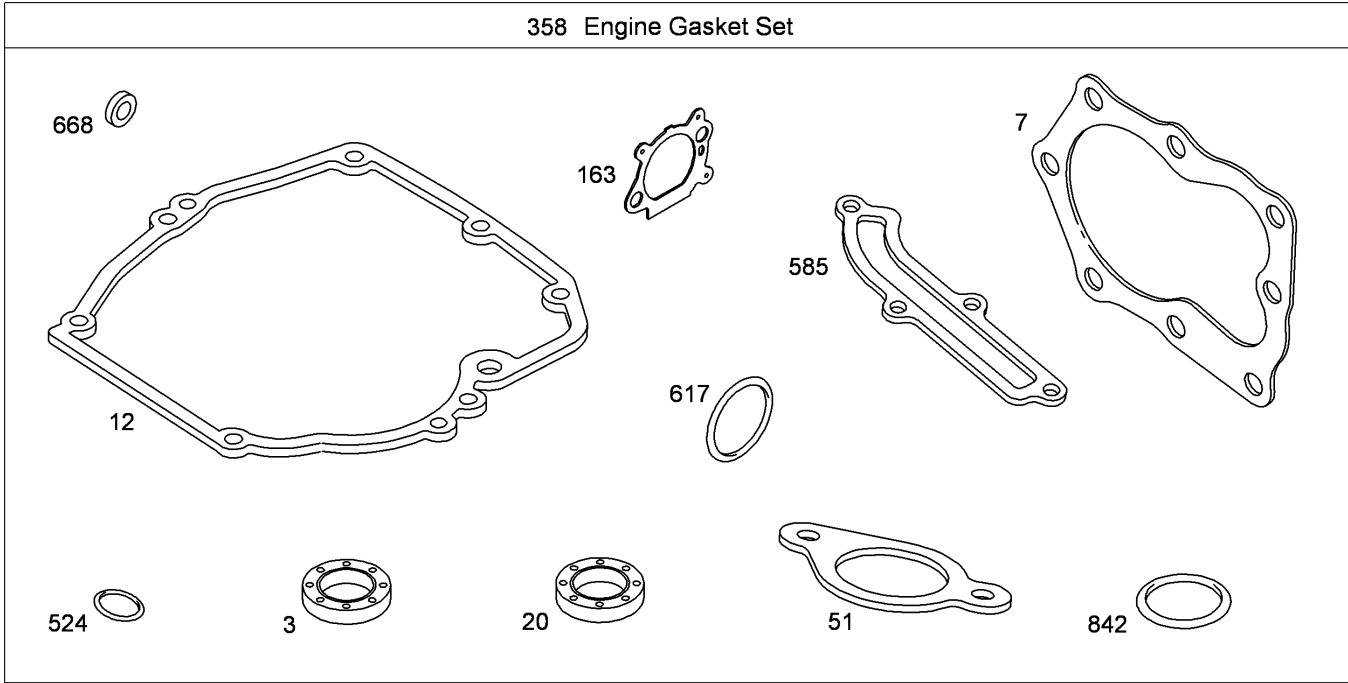


Assemblies include all parts shown in frames

Starter Assembly Briggs and Stratton 126T02-0231-B1

Ref	Part No.	Qty.	Description
⑤55	691421	1	Housing-Starter, Rewind
⑤58	697316	1	Rope-Starter (Cut To Required Length)
⑤60	281434s	1	Grip-Rope, Starter
⑤65	690837	1	Screw (Rewind Starter)
⑤456	692299	1	Plate-Friction, Pawl
⑤459	281505s	1	Ratchet-Pawl
⑤592	690800	1	Nut (Rewind Starter)
⑤597	691696	1	Screw (Pawl Friction Plate)
⑤608	497680	1	Starter-Rewind
⑤689	691855	1	Spring-Friction
⑤1210	498144	1	Pulley And Spring ASM (Pulley)
⑤1211	498144	1	Pulley And Spring ASM (Spring)

--	--	--	--

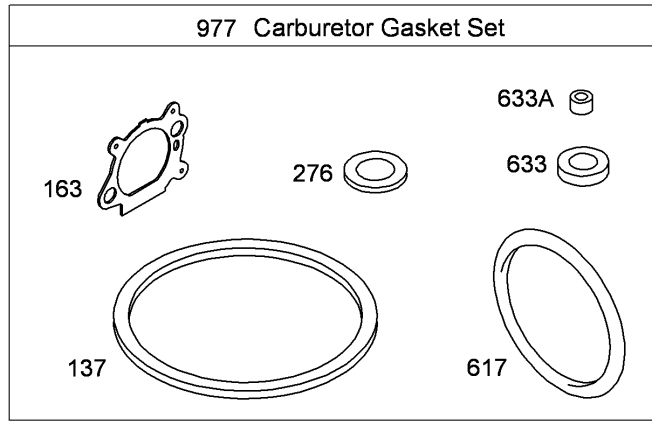
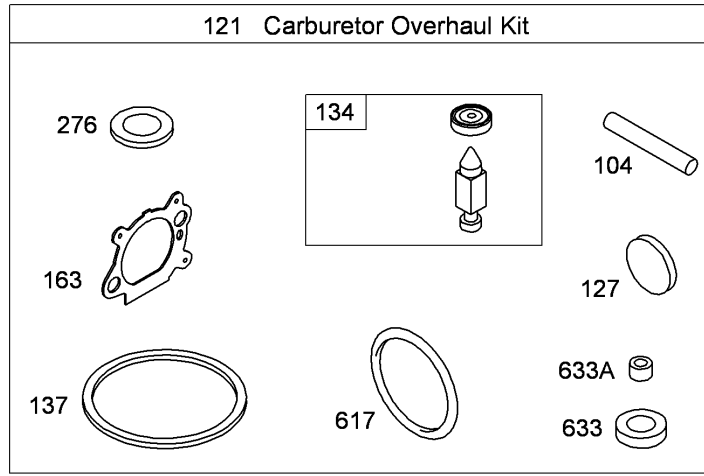


Assemblies include all parts shown in frames

Engine Gasket Set

Briggs and Stratton 126T02-0231-B1

Ref	Part No.	Qty.	Description
53	299819s	1	Seal-Oil (Magneto Side)
57	692249	1	Gasket-Head, Cylinder
512	692232	1	Gasket-Crankcase (.015 STD)
520	399781s	1	Seal-Oil (PTO Side)
551	794306	1	Gasket-Intake
4163	272653s	1	Gasket-Cleaner, Air
56			
358	794307	1	Engine Gasket Set
524	692296	1	Seal-O Ring (Dipstick Tube)
5585	691879	1	Gasket-Passage, Breather
4617	270344s	1	Seal-O Ring (Intake Manifold)
56			
5668	493823	1	Spacer
5842	691031	1	Seal-O Ring (Dipstick)



Assemblies include all parts shown in frames

Carburetor Overhaul Kit Briggs and Stratton 126T02-0231-B1

Ref	Part No.	Qty.	Description
③④ 104	691242	1	Pin-Hinge, Float
③ 121	498260	1	Carburetor Overhaul Kit
③④ 127	694468	1	Plug-Welch
③④ 134	398188	1	Needle And Seat Kit
③④ 137	693981	1	Gasket-Bowl, Float
⑥			
③④ 163	272653s	1	Gasket-Cleaner, Air
⑤⑥			
③④ 276	271716	1	Washer-Sealing
⑥			
③④ 617	270344s	1	Seal-O Ring (Intake Manifold)
⑤⑥			
③④ 633	691321	1	Seal-Shaft, Choke Throttle
⑥			
③④ 633A	693867	1	Seal-Shaft, Choke Throttle
⑥			
③ 977	498261	1	Carburetor Gasket Set

NOTES

NOTES

NOTES

