



48cm Recycler[®]/Rear Bagging Lawn Mower

Model No. 20833 - 290000001 and up.

Parts Catalog

Ordering Replacement Parts

To order replacement parts, please supply the part number, the quantity, and the description of each part desired.

Understanding Reference Numbers

Each identified part in an illustration has a reference number. The reference number for a part also appears in the parts list, along with other information about the part.

This catalog uses two special reference number formats, one to indicate parts in a service assembly and another to indicate the quantity of a given part in an illustration.

Service Assembly Reference Numbers

Parts in service assemblies have reference numbers in the form a:b. The a represents the reference number of the entire service assembly and the b represents a sequential number unique to each part within the service assembly.

For example, a wheel assembly might be identified by reference number 6, the tire by 6:1, the valve by 6:2, and the wheel by 6:3. When you order the assembly identified by reference number 6, you receive all parts identified by reference numbers 6:1, 6:2, and 6:3. However, you may also order any part individually. Reference numbers of this type appear in illustrations and in part lists.

Reference Numbers Indicating Quantity

In an illustration, if a reference number indicates more than one part, the reference number has the form nX y. The n represents the quantity of the part, the X is the multiplication symbol, and the y represents the reference number.

For example, in an illustration, the reference number 2X 37 means that two of the parts identified by reference number 37 are indicated.

Contents

Description	Page	Description	Page
Deck Assembly 3	Carburetor Assembly Briggs and Stratton 126T02-0231-B1 13
Engine and Blade Assembly 4	Air Cleaner Assembly Briggs and Stratton 126T02-0231-B1 14
Height-of-Cut and Wheel Assembly 5	Governor Assembly Briggs and Stratton 126T02-0231-B1 15
Rear Axle Assembly 6	Muffler and Fuel Tank Assembly Briggs and Stratton 126T02-0231-B1 16
Gear Case Assembly No. 104-7593 7	Blower Housing Assembly Briggs and Stratton 126T02-0231-B1 17
Handle and Control Assembly 8	Starter Assembly Briggs and Stratton 126T02- 0231-B1 18
Rear Bag Assembly 9	Engine Gasket Set Briggs and Stratton 126T02-0231-B1 19
Cylinder Assembly Briggs and Stratton 126T02-0231-B1 10	Carburetor Overhaul Kit Briggs and Stratton 126T02-0231-B1 20
Crankshaft Assembly Briggs and Stratton 126T02-0231-B1 11		
Crankcase Assembly Briggs and Stratton 126T02-0231-B1 12		

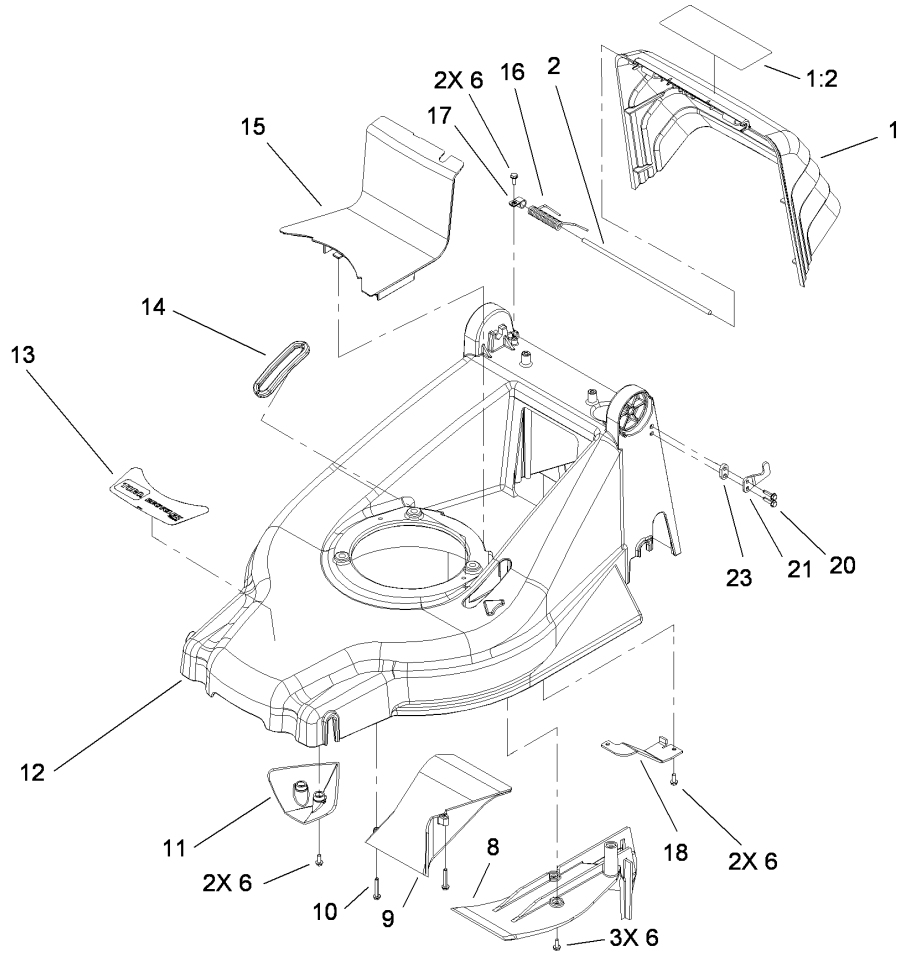
Part Description Abbreviations

Part descriptions in this catalog may include the following abbreviations.

AR. as required	HYD. hydraulic
ASM. assembly	LH. left hand
BBC. blade brake clutch	NI. nylon insert
CARR. carriage	NPTF. national pipe thread fine
DEG. degrees	PFH. phillips flat head
EXT. external	PPH. phillips pan head
FH. flat head	PPHTF. phillips pan head thread forming
GA. gauge	PRH. phillips round head
HD. heavy-duty	PTH. phillips truss head
HF. hex flange	PTO. power-take-off
HH. hex head	RH. right hand
HHF. hex head flange	ROPS. roll-over protection system
HHFTF. hex head flange thread forming	SFH. slotted fillister head
HJ. hex jam	SHH. slotted hex head
HLH. hex lag head	SHWH. slotted hex washer head
HOC. height-of-cut	SPH. slotted pan head
HSBH. hex socket button head	SQH. square head
HSFH. hex socket flat head	SRH. slotted round head
HSH. hex socket head	STD. standard
HWH. hex washer head	TAP. self tapping
HWHTF. hex washer head thread forming	TTH. torx truss head

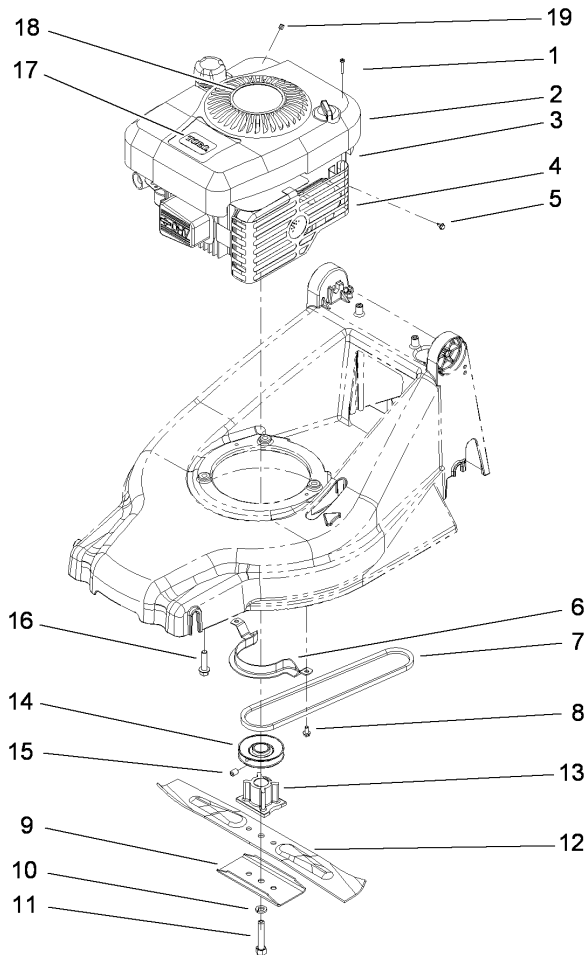
Footnotes

- | | |
|---|--|
| ❶ Not illustrated | ❷ Not serviced separately |
| ❸ Obtain from your local Briggs & Stratton dealer | ❹ Included in Carburetor Overhaul Kit (Ref. No. 121) |
| ❺ Included in Engine Gasket Set (Ref. No. 358) | ❻ Included in Carburetor Gasket Set (Ref. No. 977) |



Deck Assembly

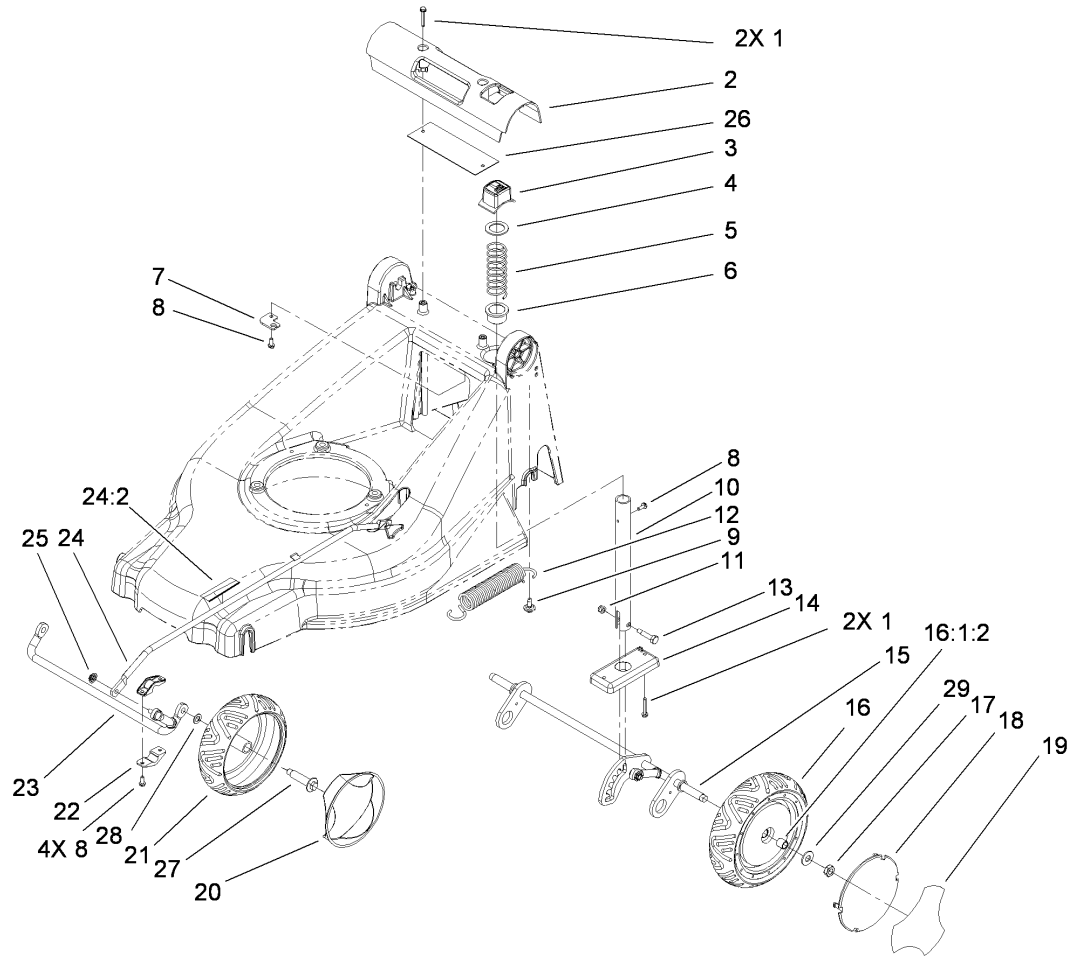
Ref	Part No.	Qty.	Description
1	100-9115	1	Door ASM
1:2	112-8759	1	Decal-Warning
2	100-1509	1	Rod-Pivot
6	32144-1	9	Screw-Taptite
8	99-6486	1	Cover-Kicker, Rear
9	100-1506	1	Ramp-Discharge
10	100-4352	2	Screw-HWH
11	106-4189	1	Kicker
12	104-7579	1	Deck
13	115-3115	1	Decal-Deck, Classic
14	100-3932	1	Boot-HOC
15	99-6479	1	Cover-Belt
16	104-7594	1	Spring-Torsion
17	98-2256	2	Clamp
18	100-9123-03	1	Bracket-Deck
20	100-4351	4	Screw-HWH
21	104-7557	1	Hook-Left
22	104-7558	1	Hook-Right
23	104-7556	2	Spacer



Engine and Blade Assembly

Ref	Part No.	Qty.	Description
1	32144-97	2	Screw-PPH, Plastite
2	105-8564	1	Shroud-Quantum
② ③ 3		1	Engine-Briggs, 126T02-0231-B1
4	104-7577-03	1	Shield-Muffler
5	104-2065	3	Screw-HWH
6	100-1523-03	1	Guide-Belt, Engine
7	93-0232	1	V-Belt
8	32144-4	2	Screw-HWH
9	80-0510-03	1	Stiffener-Blade
10	3253-22	1	Washer-Lock
11	100-4368	1	Bolt-Blade
12	106-5781-03	1	Blade-48 Cm
13	104-7554	1	Retainer-Blade
14	100-1102	1	Pulley ASM
15	104-0214	1	Screw-Set
16	32144-102	3	Screw-HWH
17	98-3206	1	Decal
18	115-3110	1	Decal
19	2210-316	1	Stop-Rope

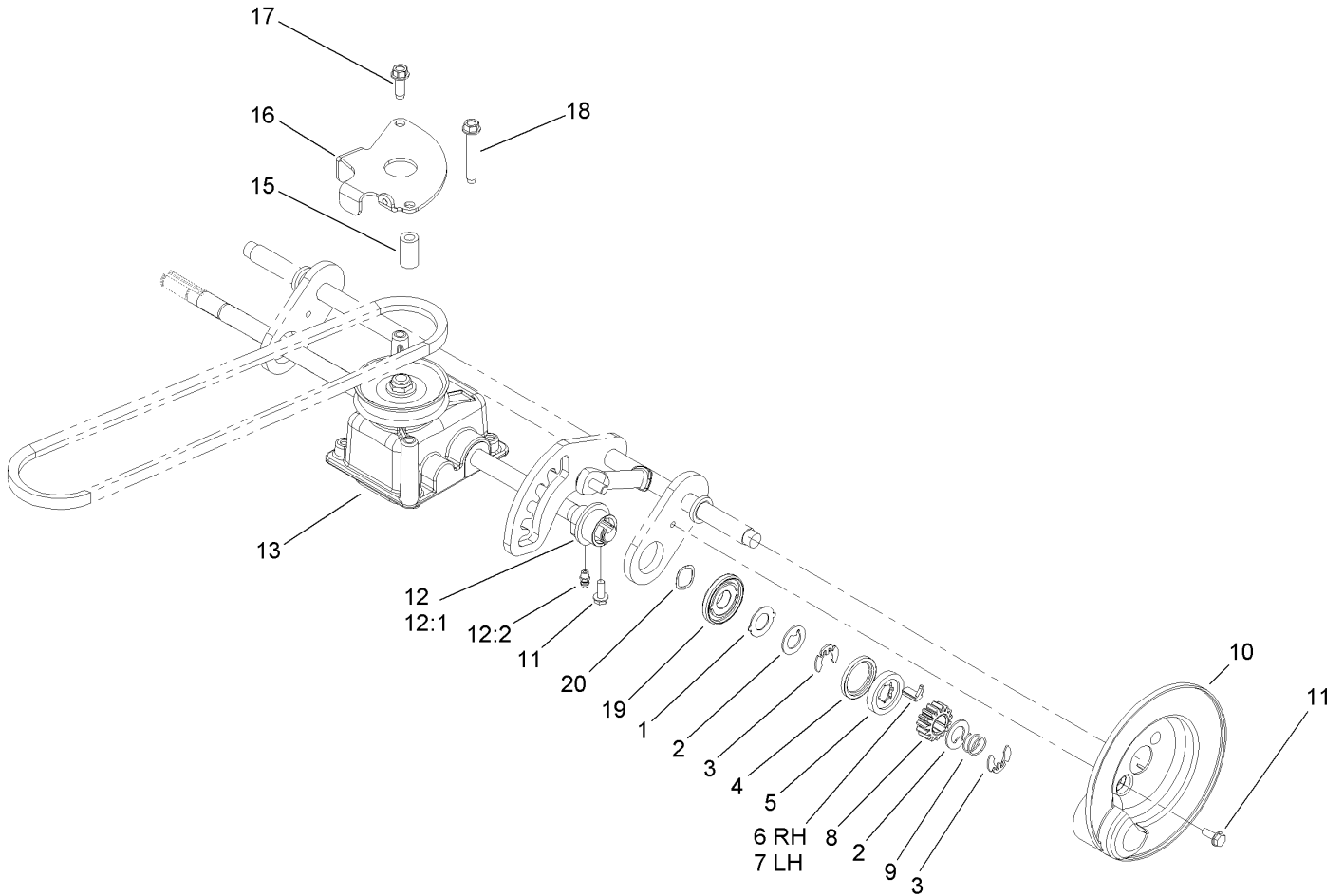
--	--	--	--



Height-of-Cut and Wheel Assembly

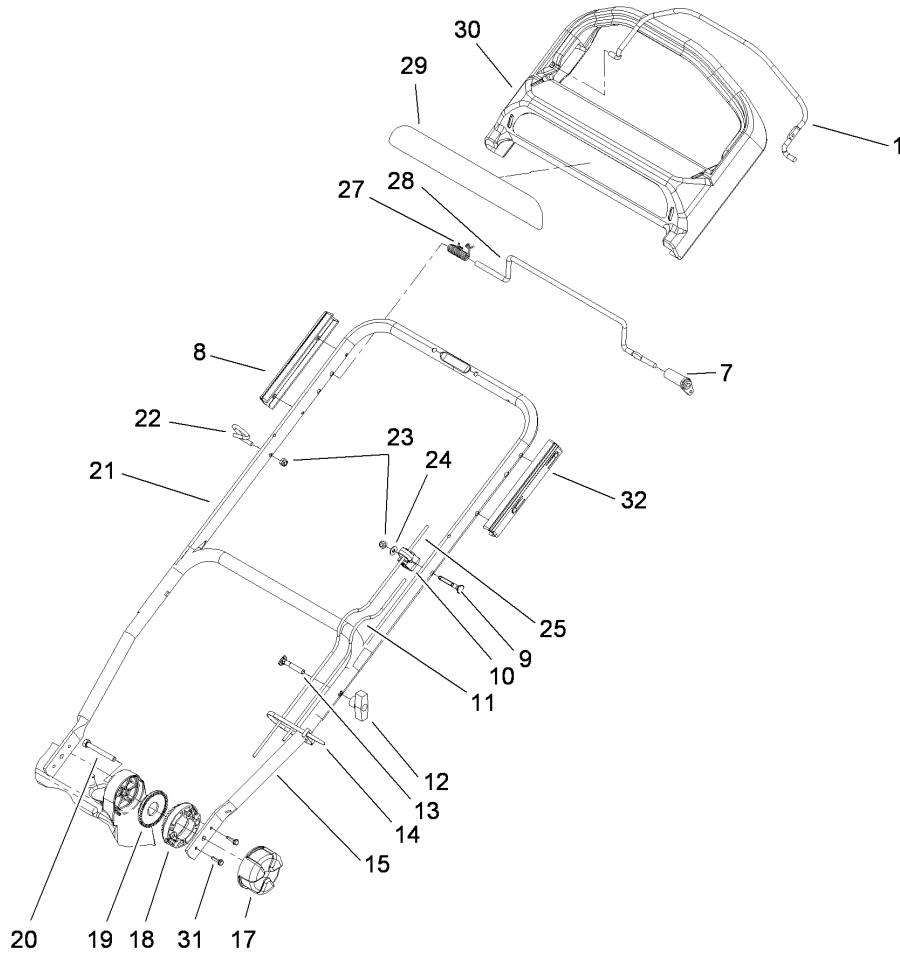
Ref	Part No.	Qty.	Description
1	100-4352	4	Screw-HWH
2	99-6487	1	Handle-Deck
3	99-6480	1	Button-HOC
4	88-7540	1	Washer-Backup
5	99-6481	1	Spring-Compression, HOC
6	99-6483	1	Bushing-HOC
7	100-1525	1	Bracket-Cable, Traction
8	32144-1	6	Screw-Taptite
9	92-9698	1	Screw-Shoulder
10	99-6458	1	Pipe-HOC
11	3296-73	1	Nut-Lock, NI
12	100-4384	1	Spring-Extension, HOC
13	99-6459	1	Bolt-Shoulder
14	99-6460	1	Plate-Support, HOC
15	99-6478	1	Rear Axle ASM
16	99-6471	2	Wheel And Tire ASM
16:1		1	Wheel ASM
16:1:2	27-6250	2	Bushing
17	108-8890	2	Nut-Jam, Lock
18	100-4366	2	Cover-Wheel, Smart
19	106-5785	2	Decal-Wheel
20	95-6543	2	Cover-Wheel
21	99-6470	2	Wheel ASM
22	100-1500	4	Mount-Axle, Front

Ref	Part No.	Qty.	Description
23	104-7562	1	Front Axle ASM
24	100-9116	1	Rod ASM
24:2	100-4355	1	Decal-HOC
25	100-3939	2	Palnut
26	100-4383-03	1	Cover-Handle
27	614650	2	Bolt-Shoulder
28	40-1940	2	Washer
29	3256-4	2	Washer-Flat



Rear Axle Assembly

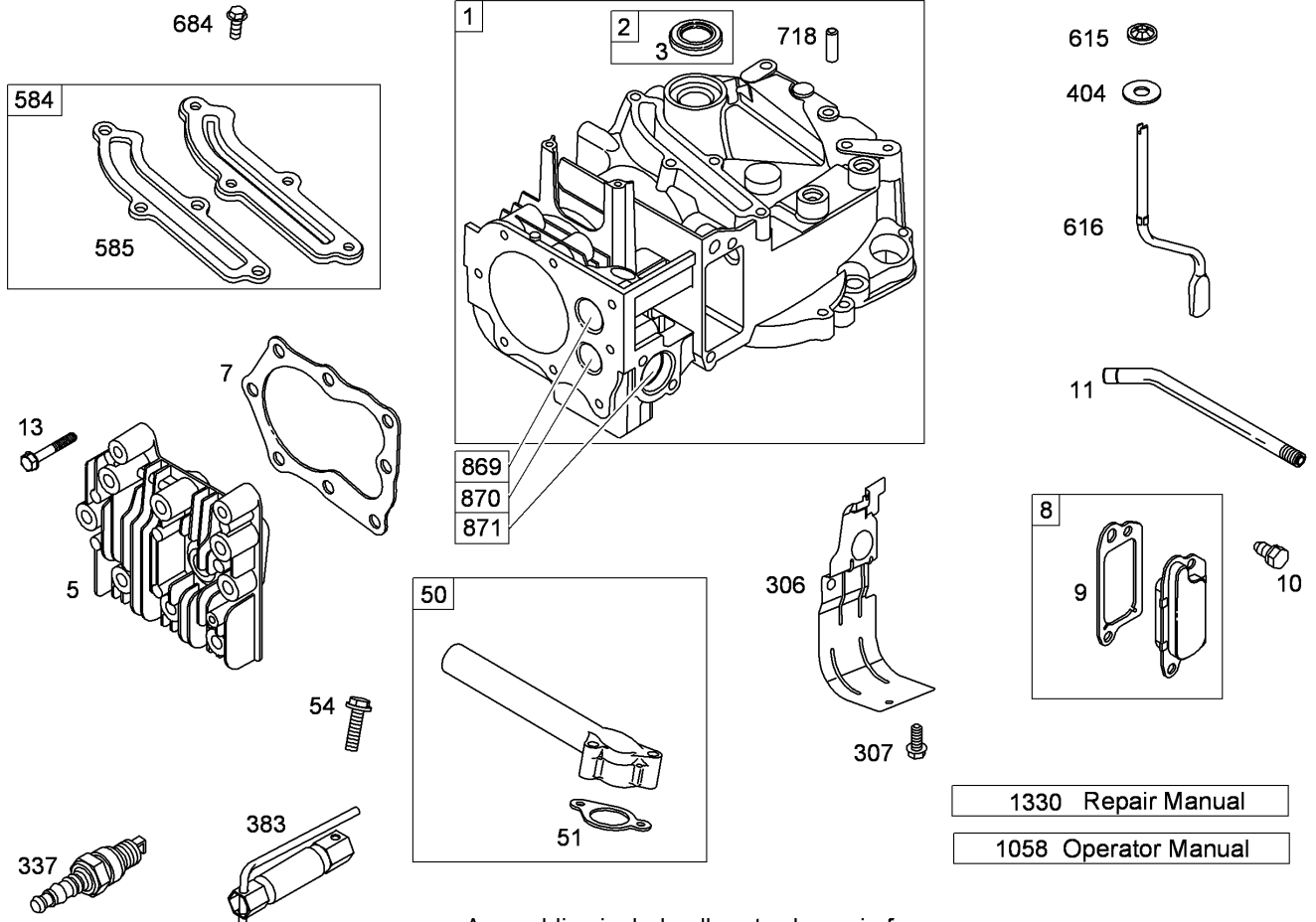
Ref	Part No.	Qty.	Description
1	65-4730	2	Washer-Arm, Pivot
2	65-4740	4	Washer-Thrust, Keyed
3	65-2720	4	Ring-Clip, Locking
4	65-4710	2	Ring-Friction
5	65-4760	2	Washer-Clutch
6	66-6040	1	Key-Rocking, RH
7	66-6050	1	Key-Rocking, LH
8	65-4750	2	Gear-Pinion
9	65-4720	2	Spring-Compression
10	100-1513	2	Cover-Gear
11	32144-1	4	Screw-Taptite
12	100-9118	2	Bushing ASM
12:1	99-6463	1	Bushing
12:2	302-56	1	Fitting-Grease
13	104-7593	1	Gear Case ASM
15	614673	1	Bushing-Plate, Actuator
16	100-1524-03	1	Guide-Transmission
17	49-2040	1	Screw-HWHTF
18	92-1616	1	Screw-HWHTF
19	100-1511	2	Retainer-Ring
20	100-1515	2	Washer-Wave



Handle and Control Assembly

Ref	Part No.	Qty.	Description
1	104-8679-03	1	Bail-Brake
7	99-1589	1	Lever-Traction
8	105-6841	1	Guide-RH
9	95-4453	1	Screw
10	99-5239	1	Anchor-Cable
11	100-3936	1	Cable-Traction
12	98-7134	2	Knob-Handle
13	92-2260	2	Screw-Handle
14	3290-378	2	Tie-Cable
15	100-1502-05	1	Handle-Lower
17	100-4396	2	Knob-Adjusting, Handle
18	104-7553-03	2	Disk-Adjusting, Handle
19	100-1517	2	Disk-Holding, Handle
20	60-6690	2	Capscrew
21	104-8680-05	1	Handle-Upper
22	86-9671	1	Guide-Rope
23	3296-73	2	Nut-Lock, NI
24	3256-1	1	Washer-Flat
25	110-9163	1	Cable-Brake
27	104-8690	1	Spring-Torsion
28	99-1588	1	Bar-Control, Traction
29	106-5791	1	Decal-Automatic
30	104-8678	1	Handle-Control
31	100-4351	4	Screw-HWH

Ref	Part No.	Qty.	Description
32	105-6842	1	Guide-LH

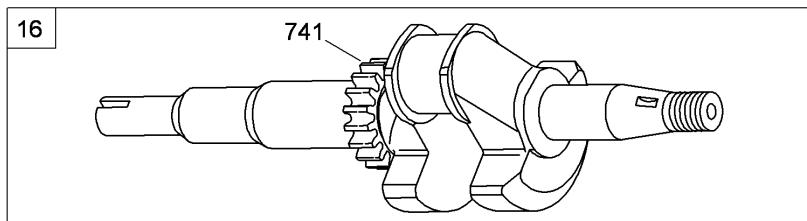
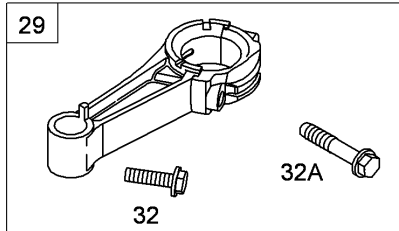
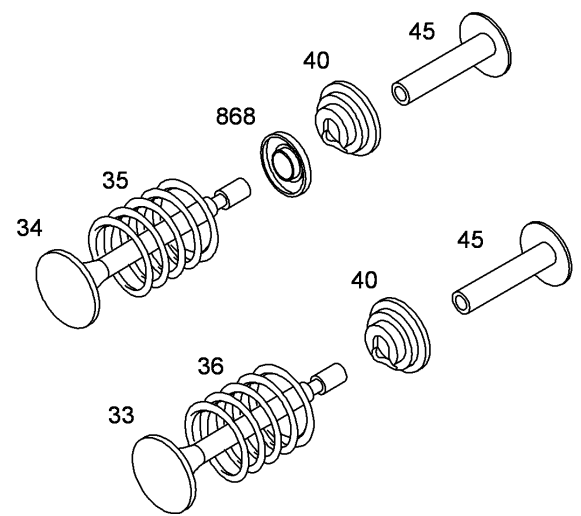
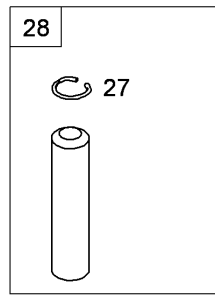
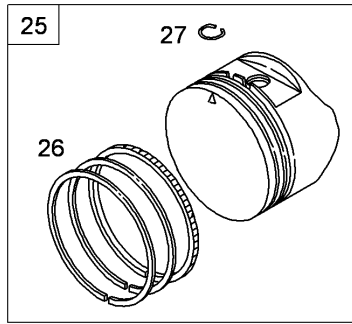


Assemblies include all parts shown in frames

Cylinder Assembly Briggs and Stratton 126T02-0231-B1

Ref	Part No.	Qty.	Description
1	697322	1	Cylinder ASM
2	399269	1	Bushing And Seal Kit
3	299819s	1	Seal-Oil (Magneto Side)
5	691160	1	Head-Cylinder
7	692249	1	Gasket-Head, Cylinder
8	695250	1	Breather ASM
9	696125	1	Gasket-Breather
10	691125	1	Screw (Breather ASM)
11	691781	1	Tube-Breather
13	690912	1	Screw (Cylinder Head)
50	794305	1	Manifold-Intake
51	794306	1	Gasket-Intake
54	691650	1	Screw (Intake Manifold)
306	790836	1	Shield-Cylinder
307	690345	1	Screw (Cylinder Shield)
337	802592s	1	Plug-Spark
383	89838s	1	Wrench-Spark Plug
404	690272	1	Washer (Governor Crank)
584	697734	1	Cover-Passage, Breather
585	691879	1	Gasket-Passage, Breather
615	690340	1	Retainer-Shaft, Governor
616	698801	1	Crank-Governor
684	690345	1	Screw (Breather Passage Cover)
718	690959	1	Pin-Locating

Ref	Part No.	Qty.	Description
869	691155	1	Seat-Valve (Intake)
870	690380	1	Seat-Valve (Exhaust)
871	262001	1	Bushing-Guide (Exhaust)
871	63709	1	Bushing-Guide (Intake)
1058	MS3262	1	Operator Manual
1330	270962	1	Repair Manual

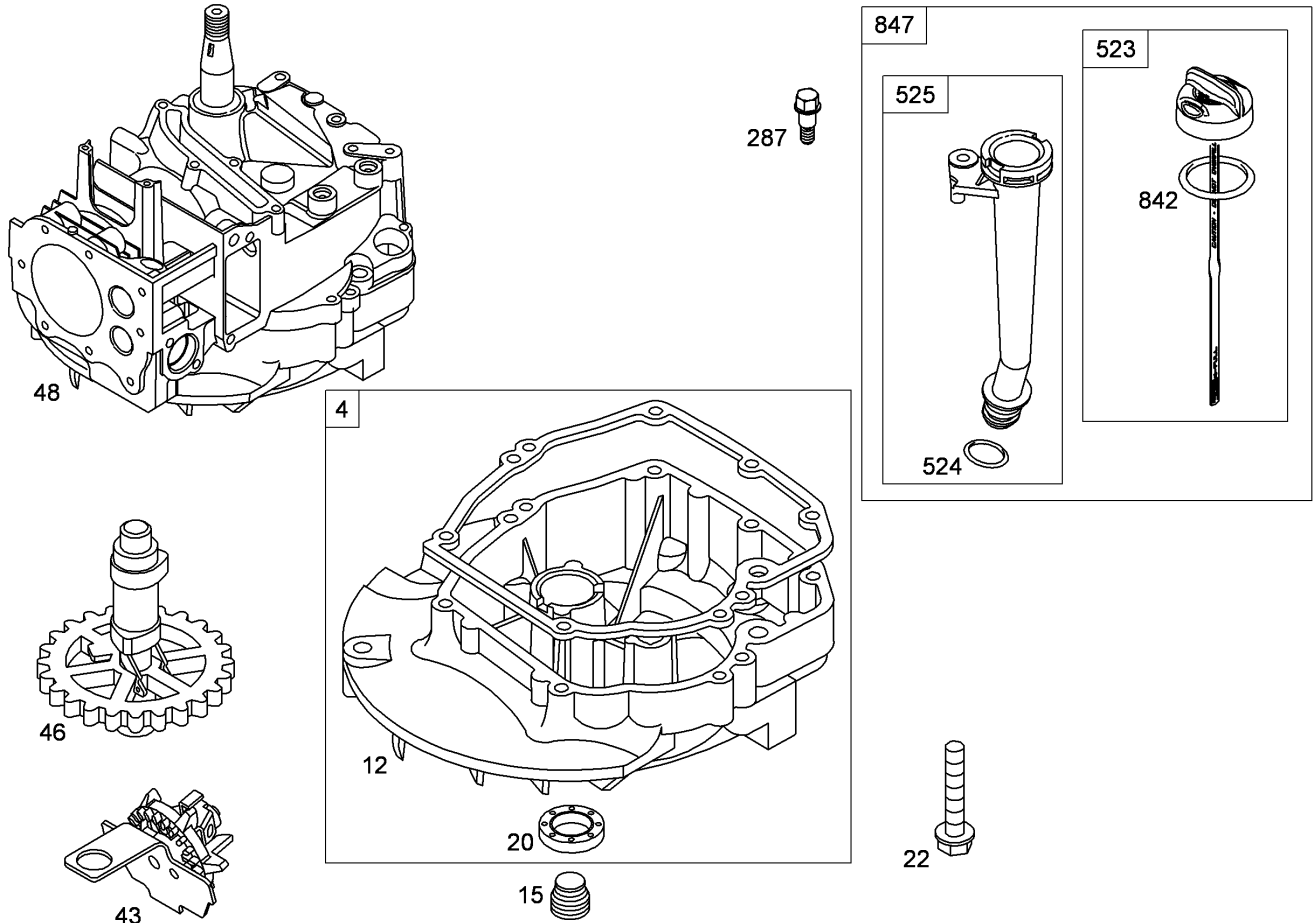


Assemblies include all parts shown in frames

Crankshaft Assembly Briggs and Stratton 126T02-0231-B1

Ref	Part No.	Qty.	Description
16	696009	1	Crankshaft
24	222698s	1	Key-Flywheel
25	795429	1	Piston ASM (STD)
25	795430	1	Piston ASM (.020 Oversize)
26	795431	1	Ring Set (STD)
26	795432	1	Ring Set (.020 Oversize)
27	691866	1	Lock-Pin, Piston
28	499423	1	Pin-Piston (STD)
29	499424	1	Rod-Connecting
32	691664	1	Screw (Connecting Rod)
32A	695759	1	Screw (Connecting Rod)
33	262651s	1	Valve-Exhaust
34	262652s	1	Valve-Intake
35	691270	1	Spring-Valve (Intake)
36	691270	1	Spring-Valve (Exhaust)
40	692194	1	Retainer-Valve
45	690548	1	Tappet-Valve
741	790345	1	Gear-Timing
868	697338	1	Seal-Valve

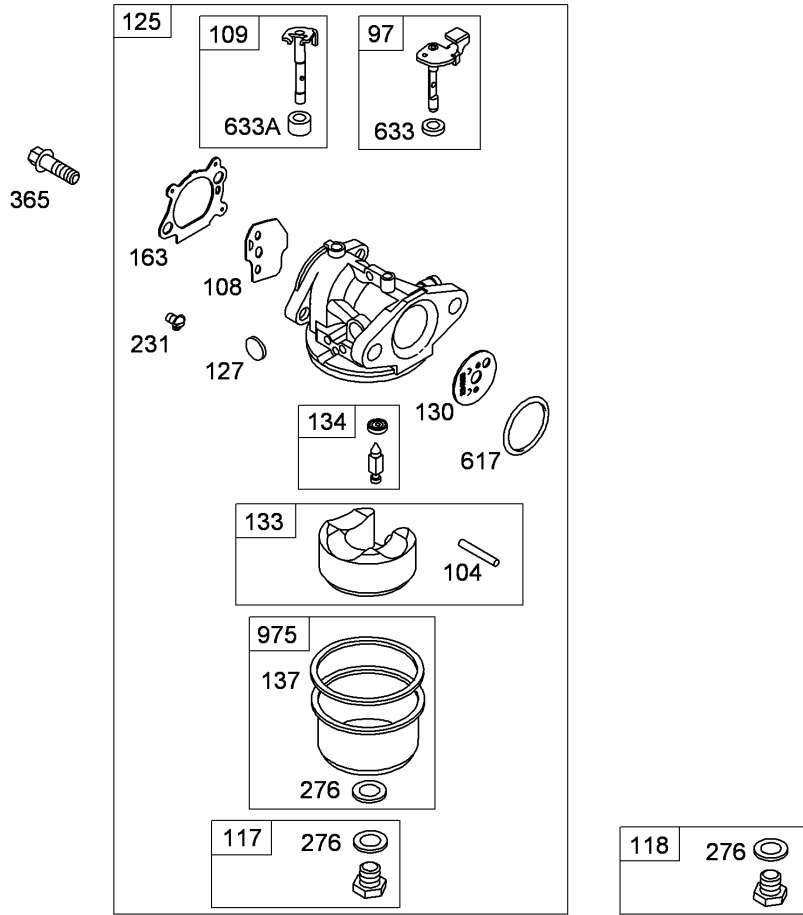
--	--	--	--



Assemblies include all parts shown in frames

Crankcase Assembly Briggs and Stratton 126T02-0231-B1

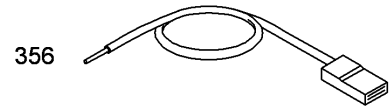
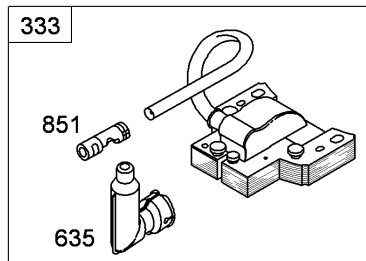
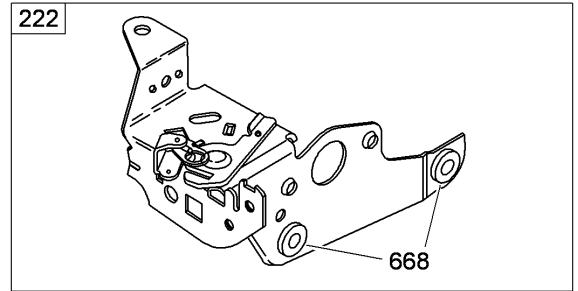
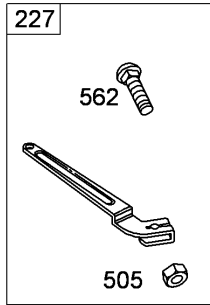
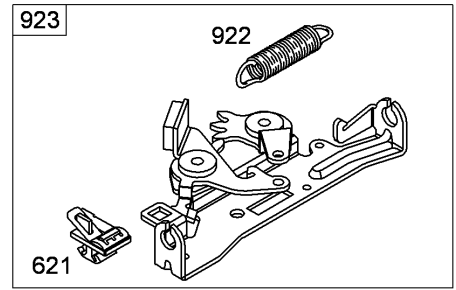
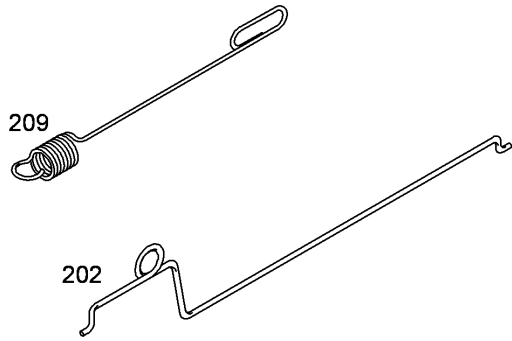
Ref	Part No.	Qty.	Description
④	493279	1	Sump-Engine
④⑤	12 692232	1	Gasket-Crankcase (.015 STD)
③	15 691680	1	Plug-Drain, Oil
④⑤	20 399781s	1	Seal-Oil (PTO Side)
③	22 691092	1	Screw (Engine Sump)
③	43 691997	1	Slinger-Oil, Governor
③	46 691449	1	Camshaft
③	48 692748	1	Short Block
③	287 690940	1	Screw (Dipstick Tube)
③	523 499621	1	Dipstick
④⑤	524 692296	1	Seal-O Ring (Dipstick Tube)
③	525 495265	1	Tube-Dipstick
④⑤	842 691031	1	Seal-O Ring
③	847 692047	1	Dipstick Tube ASM



Assemblies include all parts shown in frames

Carburetor Assembly Briggs and Stratton 126T02-0231-B1

Ref	Part No.	Qty.	Description
③97	696565	1	Shaft-Throttle
③④104	691242	1	Pin-Hinge, Float
③108	790844	1	Valve-Choke
③109	790843	1	Shaft-Choke
③117	691428	1	Jet-Main (Standard)
③118	498977	1	Jet-Main (High Altitude)
③125	794304	1	Carburetor
③④127	694468	1	Plug-Welch
③130	696564	1	Valve-Throttle
③133	398187	1	Float-Carburetor
③④134	398188	1	Needle And Seat Kit
③④137	693981	1	Gasket-Bowl, Float
⑤			
③④163	272653s	1	Gasket-Cleaner, Air
⑤⑥			
③231	691636	1	Screw (Choke Valve)
③④276	271716	1	Washer-Sealing
⑤			
③365	692524	1	Screw (Carburetor)
③④617	270344s	1	Seal-O Ring (Intake Manifold)
⑤			
③④633	691321	1	Seal-Shaft, Choke Throttle
⑤			
③④633A	693867	1	Seal-Shaft, Choke Throttle
⑤			
③975	493640	1	Bowl-Float

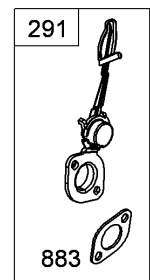
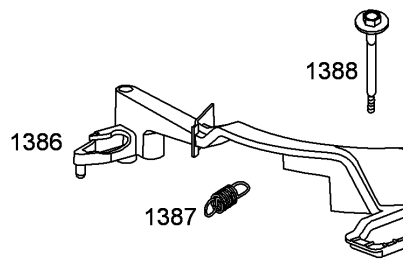
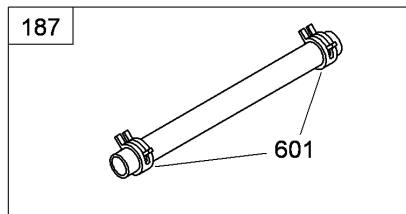
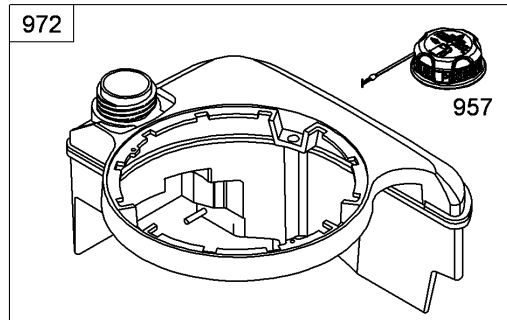
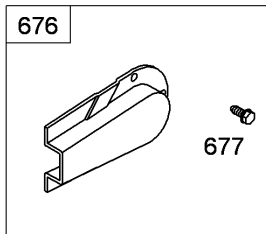
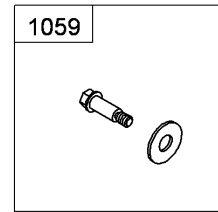
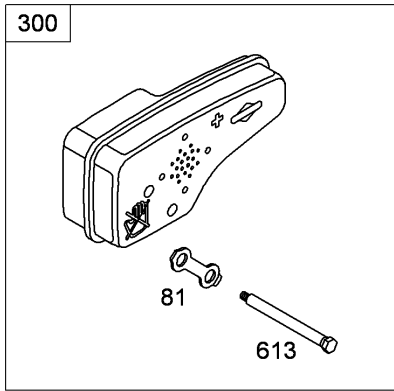


Assemblies include all parts shown in frames

Governor Assembly Briggs and Stratton 126T02-0231-B1

Ref	Part No.	Qty.	Description
188	693399	1	Screw (Control Bracket)
202	691829	1	Link-Governor, Mechanical
209	691852	1	Spring-Governor
222	793754	1	Bracket-Control
227	690783	1	Lever-Control, Governor
333	793353	1	Armature-Magneto
334	691061	1	Screw (Magneto Armature)
356	692390	1	Wire-Stop
505	691251	1	Nut (Governor Control Lever)
562	691119	1	Bolt (Governor Control Lever)
621	692310	1	Switch-Stop
635	793351	1	Boot-Spark Plug
668	493823	1	Spacer
745	691648	1	Screw
851	692424	1	Terminal-Spark Plug
922	691831	1	Spring-Brake
923	691994	1	Brake ASM

--	--	--	--

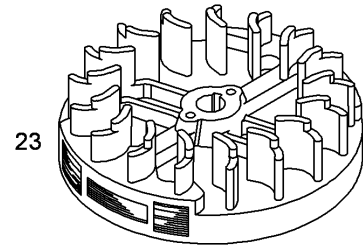
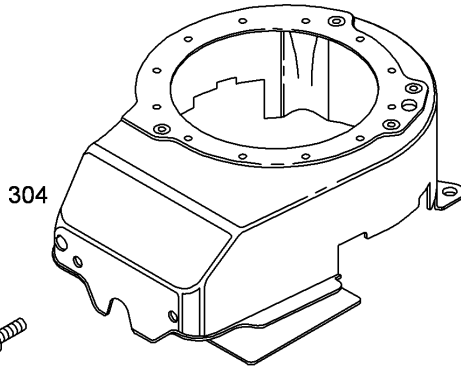
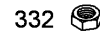
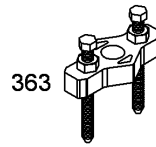
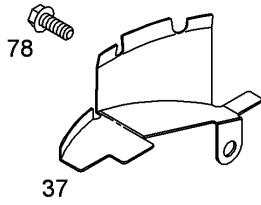


Assemblies include all parts shown in frames

Muffler and Fuel Tank Assembly Briggs and Stratton 126T02-0231-B1

Ref	Part No.	Qty.	Description
81	691740	1	Lock-Screw, Muffler
187	791766	1	Line-Fuel (Cut To Required Length)
190	690940	1	Screw (Fuel Tank)
291	790830	1	Thermostat
300	692038	1	Muffler
601	791850	1	Clamp-Hose
613	691340	1	Screw (Muffler)
670	692294	1	Spacer-Tank, Fuel
676	493871	1	Deflector-Muffler
677	690661	1	Screw (Muffler Deflector)
883	691881	1	Gasket-Exhaust
957	699985	1	Cap-Tank, Fuel
972	699374	1	Tank-Fuel
1059	692311	1	Screw And Washer Kit
1386	790848	1	Vane-Air
1387	790849	1	Spring-Vane, Air
1388	790850	1	Screw (Air Vane)

--	--	--	--



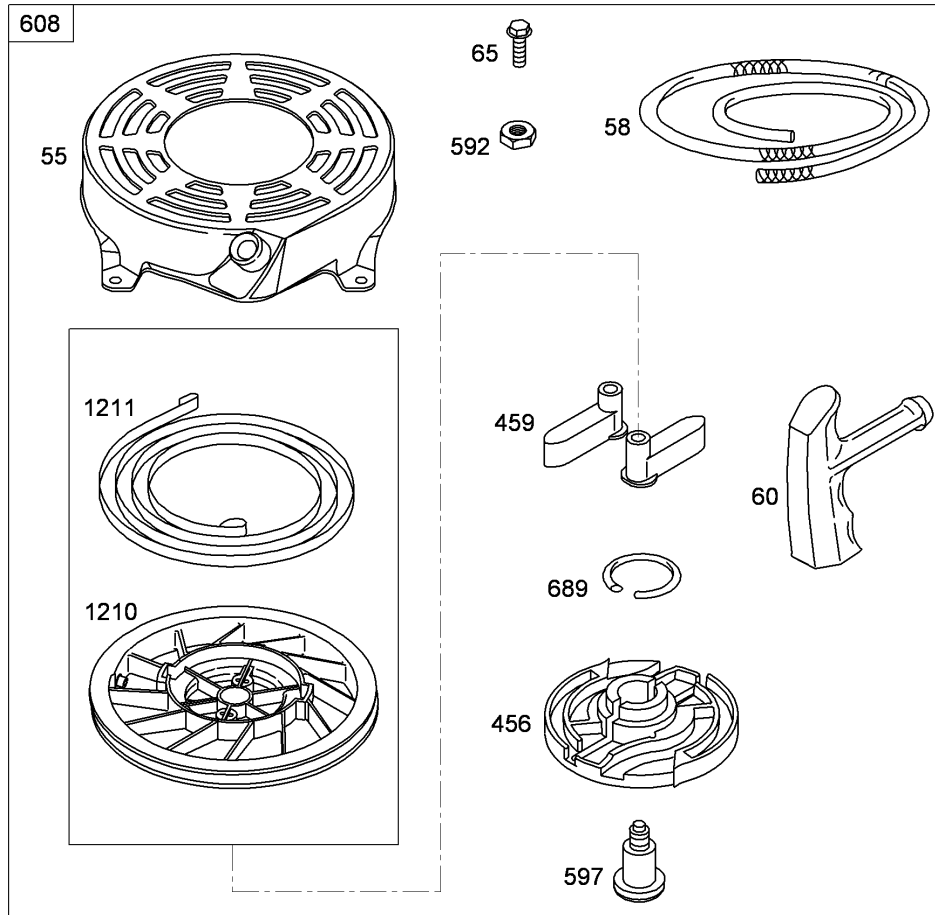
1036 Emissions Label

Assemblies include all parts shown in frames

Blower Housing Assembly Briggs and Stratton 126T02-0231-B1

Ref	Part No.	Qty.	Description
● 23	691987	1	Flywheel
● 37	793756	1	Guard-Flywheel
● 78	691108	1	Screw (Flywheel Guard)
● 304	790983	1	Housing-Blower
● 305	691108	1	Screw (Blower Housing)
● 332	690662	1	Nut (Flywheel)
● 363	19069	1	Puller-Flywheel
● 455	791760	1	Cup-Flywheel
● 1036		1	Label-Emissions

--	--	--	--

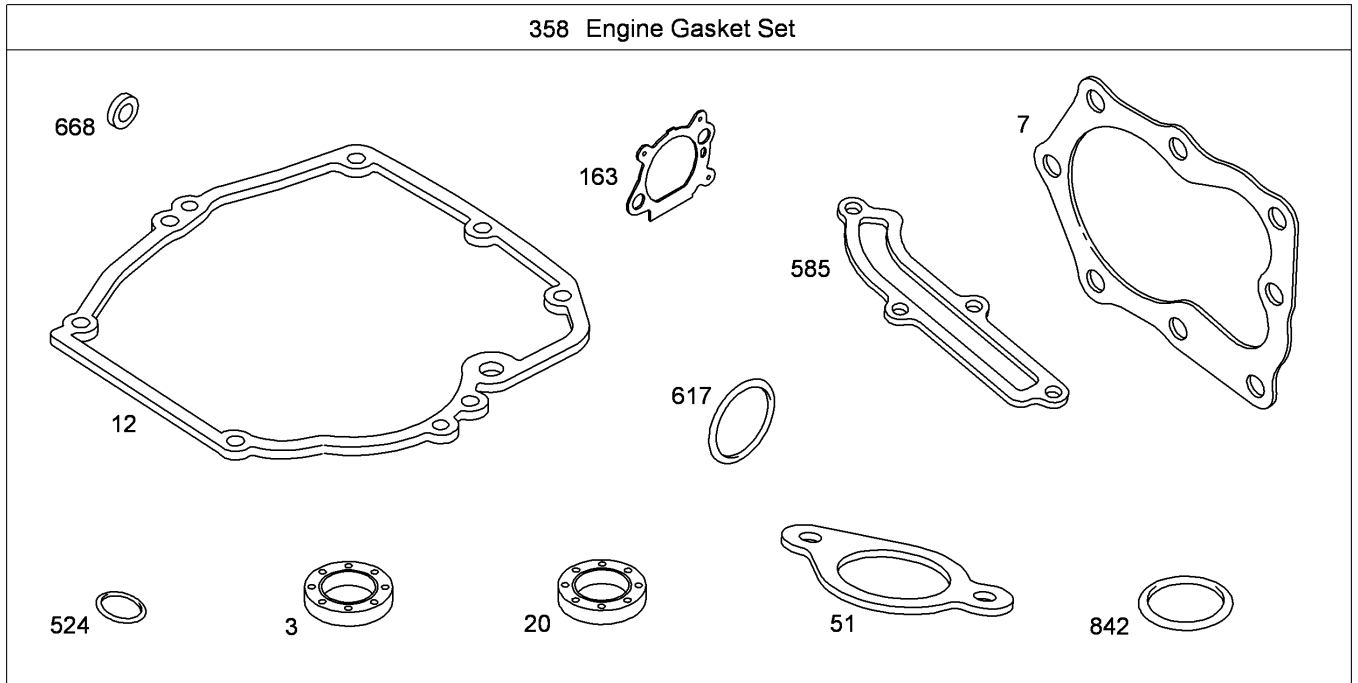


Assemblies include all parts shown in frames

Starter Assembly Briggs and Stratton 126T02-0231-B1

Ref	Part No.	Qty.	Description
⑤55	691421	1	Housing-Starter, Rewind
⑤58	697316	1	Rope-Starter (Cut To Required Length)
⑤60	281434s	1	Grip-Rope, Starter
⑤65	690837	1	Screw (Rewind Starter)
⑤456	692299	1	Plate-Friction, Pawl
⑤459	281505s	1	Ratchet-Pawl
⑤592	690800	1	Nut (Rewind Starter)
⑤597	691696	1	Screw (Pawl Friction Plate)
⑤608	497680	1	Starter-Rewind
⑤689	691855	1	Spring-Friction
⑤1210	498144	1	Pulley And Spring ASM (Pulley)
⑤1211	498144	1	Pulley And Spring ASM (Spring)

--	--	--	--

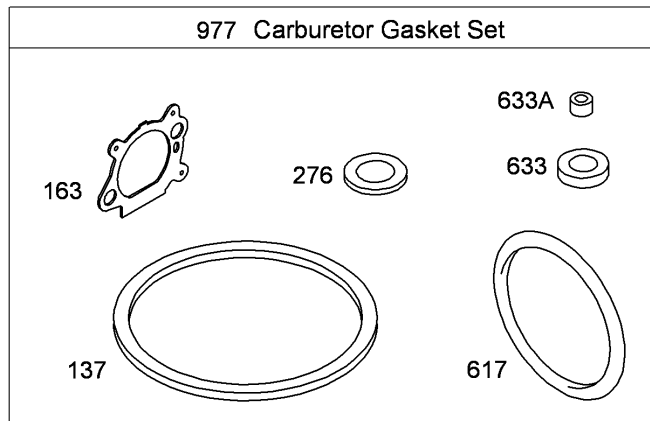
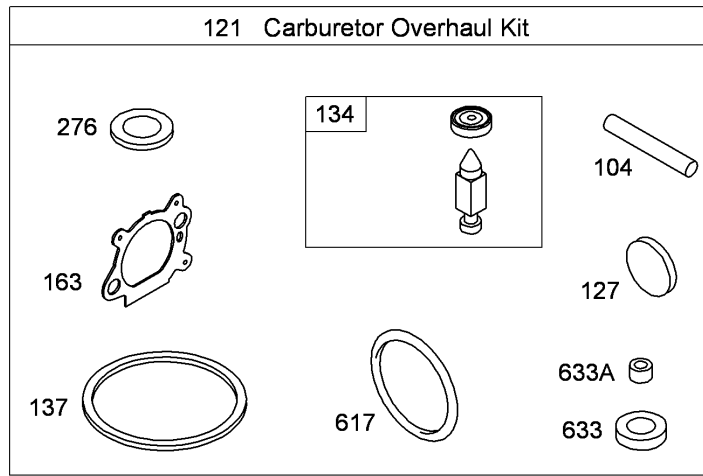


Assemblies include all parts shown in frames

Engine Gasket Set Briggs and Stratton 126T02-0231-B1

Ref	Part No.	Qty.	Description
⑤⑤3	299819s	1	Seal-Oil (Magneto Side)
⑤⑤7	692249	1	Gasket-Head, Cylinder
⑤⑤12	692232	1	Gasket-Crankcase (.015 STD)
⑤⑤20	399781s	1	Seal-Oil (PTO Side)
⑤⑤51	794306	1	Gasket-Intake
⑤④163	272653s	1	Gasket-Cleaner, Air
⑤⑥			
⑤358	794307	1	Engine Gasket Set
⑤⑤524	692296	1	Seal-O Ring (Dipstick Tube)
⑤⑤585	691879	1	Gasket-Passage, Breather
⑤④617	270344s	1	Seal-O Ring (Intake Manifold)
⑤⑥			
⑤⑤668	493823	1	Spacer
⑤⑤842	691031	1	Seal-O Ring (Dipstick)

--	--	--	--



Assemblies include all parts shown in frames

Carburetor Overhaul Kit Briggs and Stratton 126T02-0231-B1

Ref	Part No.	Qty.	Description
3 4 104	691242	1	Pin-Hinge, Float
3 121	498260	1	Carburetor Overhaul Kit
3 4 127	694468	1	Plug-Welch
3 4 134	398188	1	Needle And Seat Kit
3 4 137	693981	1	Gasket-Bowl, Float
6			
3 4 163	272653s	1	Gasket-Cleaner, Air
5 6			
3 4 276	271716	1	Washer-Sealing
6			
3 4 617	270344s	1	Seal-O Ring (Intake Manifold)
5 6			
3 4 633	691321	1	Seal-Shaft, Choke Throttle
6			
3 4 633A	693867	1	Seal-Shaft, Choke Throttle
6			
3 977	498261	1	Carburetor Gasket Set

NOTES

NOTES

NOTES

