



Power Max 1028 LXE Snowthrower

Model No. 38640 - 290000001 and up.

Parts Catalog

Ordering Replacement Parts

To order replacement parts, please supply the part number, the quantity, and the description of each part desired.

Understanding Reference Numbers

Each identified part in an illustration has a reference number. The reference number for a part also appears in the parts list, along with other information about the part.

This catalog uses two special reference number formats, one to indicate parts in a service assembly and another to indicate the quantity of a given part in an illustration.

Service Assembly Reference Numbers

Parts in service assemblies have reference numbers in the form a:b. The a represents the reference number of the entire service assembly and the b represents a sequential number unique to each part within the service assembly.

For example, a wheel assembly might be identified by reference number 6, the tire by 6:1, the valve by 6:2, and the wheel by 6:3. When you order the assembly identified by reference number 6, you receive all parts identified by reference numbers 6:1, 6:2, and 6:3. However, you may also order any part individually. Reference numbers of this type appear in illustrations and in part lists.

Reference Numbers Indicating Quantity

In an illustration, if a reference number indicates more than one part, the reference number has the form nX y. The n represents the quantity of the part, the X is the multiplication symbol, and the y represents the reference number.

For example, in an illustration, the reference number 2X 37 means that two of the parts identified by reference number 37 are indicated.

Contents

| Description | Page | Description | Page |
|----------------------------------------------|----------|------------------------------------------------------------------------|----------|
| Auger and Housing Assembly | 3 | Engine Assembly No. 1 Tecumseh LH358SA-159625A | 14 |
| 28 Inch Auger Gearcase Assembly No. 108-7329 | 4 | Engine Assembly No. 2 Tecumseh LH358SA-159625A | 16 |
| Chute Assembly | 5 | Carburetor Assembly Tecumseh LH358SA-159625A | 18 |
| Frame Assembly | 6 | Electric Starter Assembly No. 33329D Tecumseh LH358SA-159625A | 19 |
| Handle Assembly | 8 | Recoil Starter Assembly No. 590749 Tecumseh LH358SA-159625A | 20 |
| Handle and Control Assembly | 9 | Recoil Starter Assembly No. 590733 (Optional) Tecumseh LH358SA-159625A | 21 |
| Lever Chute Control Assembly | 10 | Attachments and Accessories List | 22 |
| Engine Assembly | 11 | | |
| Wheel Clutch Assembly | 12 | | |
| Wheel Clutch Sprocket Assembly | 13 | | |

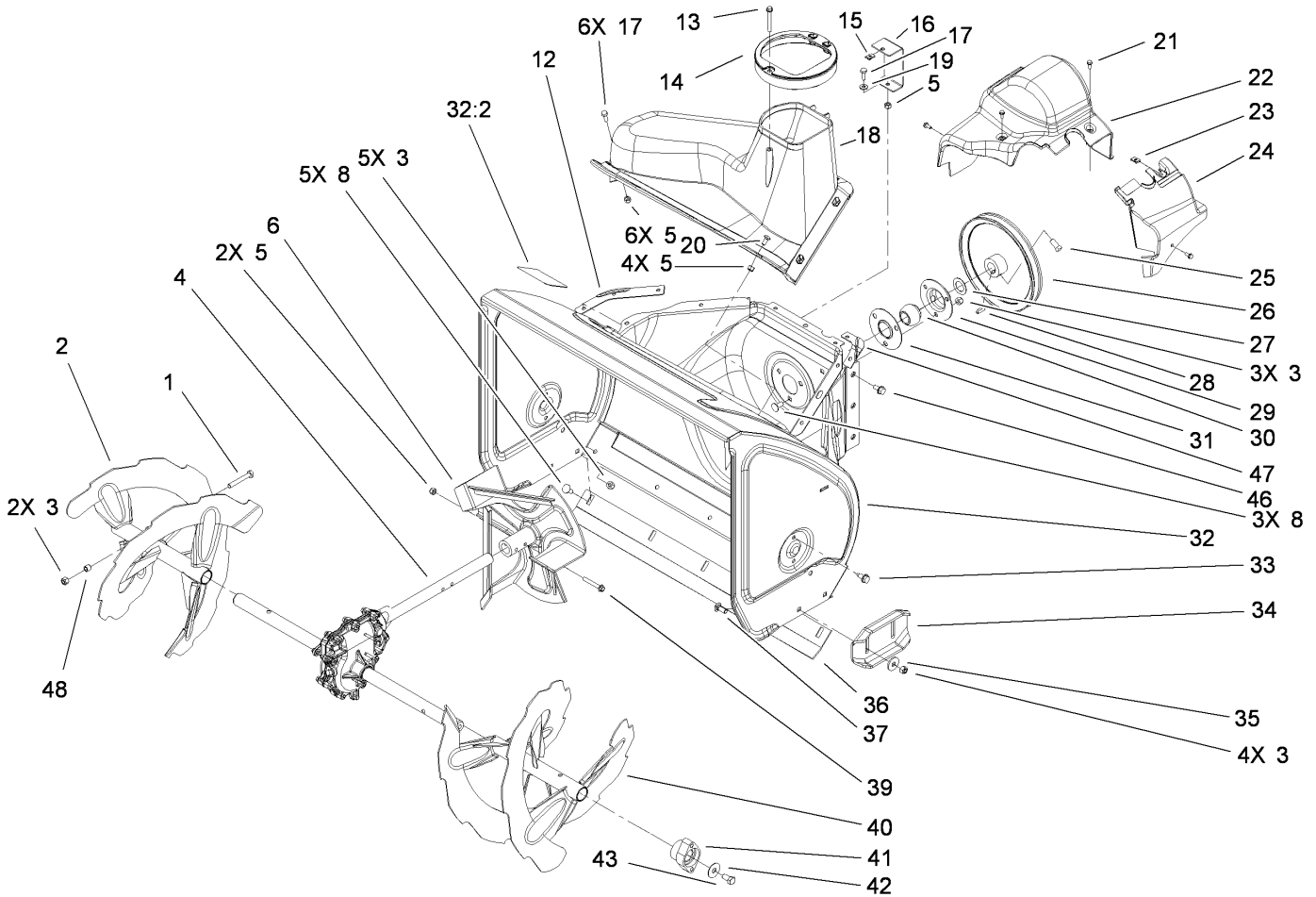
Part Description Abbreviations

Part descriptions in this catalog may include the following abbreviations.

| | |
|--------------------------------------------|----------------------------------------------|
| AR. as required | HYD. hydraulic |
| ASM. assembly | LH. left hand |
| BBC. blade brake clutch | NI. nylon insert |
| CARR. carriage | NPTF. national pipe thread fine |
| DEG. degrees | PFH. phillips flat head |
| EXT. external | PPH. phillips pan head |
| FH. flat head | PPHTF. phillips pan head thread forming |
| GA. gauge | PRH. phillips round head |
| HD. heavy-duty | PTH. phillips truss head |
| HF. hex flange | PTO. power-take-off |
| HH. hex head | RH. right hand |
| HHF. hex head flange | ROPS. roll-over protection system |
| HHFTF. hex head flange thread forming | SFH. slotted fillister head |
| HJ. hex jam | SHH. slotted hex head |
| HLH. hex lag head | SHWH. slotted hex washer head |
| HOC. height-of-cut | SPH. slotted pan head |
| HSBH. hex socket button head | SQH. square head |
| HSFH. hex socket flat head | SRH. slotted round head |
| HSH. hex socket head | STD. standard |
| HWH. hex washer head | TAP. self tapping |
| HWHTF. hex washer head thread forming | TTH. torx truss head |

Footnotes

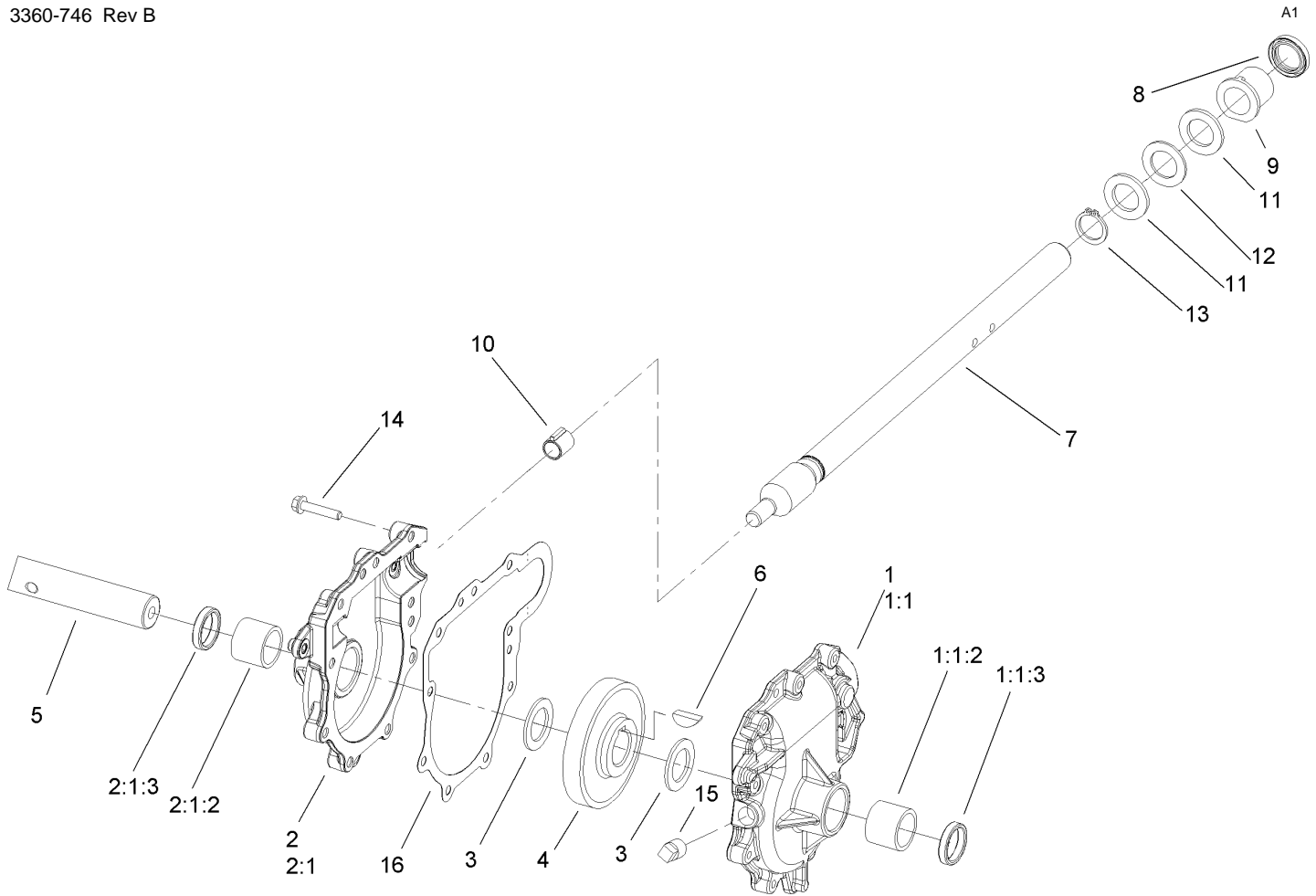
- ❶ Not illustrated
- ❷ Not serviced separately
- ❸ Obtain from your local Tecumseh dealer



Auger and Housing Assembly

| Ref | Part No. | Qty. | Description |
|-----|-------------|------|----------------------------|
| 1 | 322-11 | 2 | Screw-HH |
| 2 | 106-7291-03 | 1 | Auger-RH |
| 3 | 3296-29 | 14 | Nut-Lock, NI |
| 4 | 108-7329 | 1 | 28 Inch Auger Gearcase ASM |
| 5 | 3296-42 | 13 | Nut-Lock, NI |
| 6 | 106-4576-03 | 1 | Impeller ASM |
| 8 | 3230-23 | 8 | Screw-CARR |
| 12 | 107-1017-03 | 1 | Seal-Flange, Cover |
| 13 | 107-3003 | 1 | Screw-Plastite |
| 14 | 107-3006 | 1 | Guide-Chute |
| 15 | 107-1013 | 1 | Nut-Speed, U-Type |
| 16 | 107-1014-03 | 1 | Bracket-Cover, Clip Nut |
| 17 | 321-4 | 7 | Screw-HH |
| 18 | 108-0017 | 1 | Cover |
| 19 | 3256-22 | 1 | Washer-Flat |
| 20 | 3229-1 | 4 | Screw-CARR |
| 21 | 32144-112 | 4 | Screw-HWH |
| 22 | 107-1001 | 1 | Cover-Belt |
| 23 | 701493 | 1 | Nut-Speed |
| 24 | 107-1016 | 1 | Cover-Extension, Belt |
| 25 | 3242-4 | 2 | Screw-Set, SQH |
| 26 | 62-1300 | 1 | Pulley-Impeller |
| 27 | 252-80 | 1 | Washer-Thrust |
| 28 | 3257-23 | 1 | Key-Woodruff |

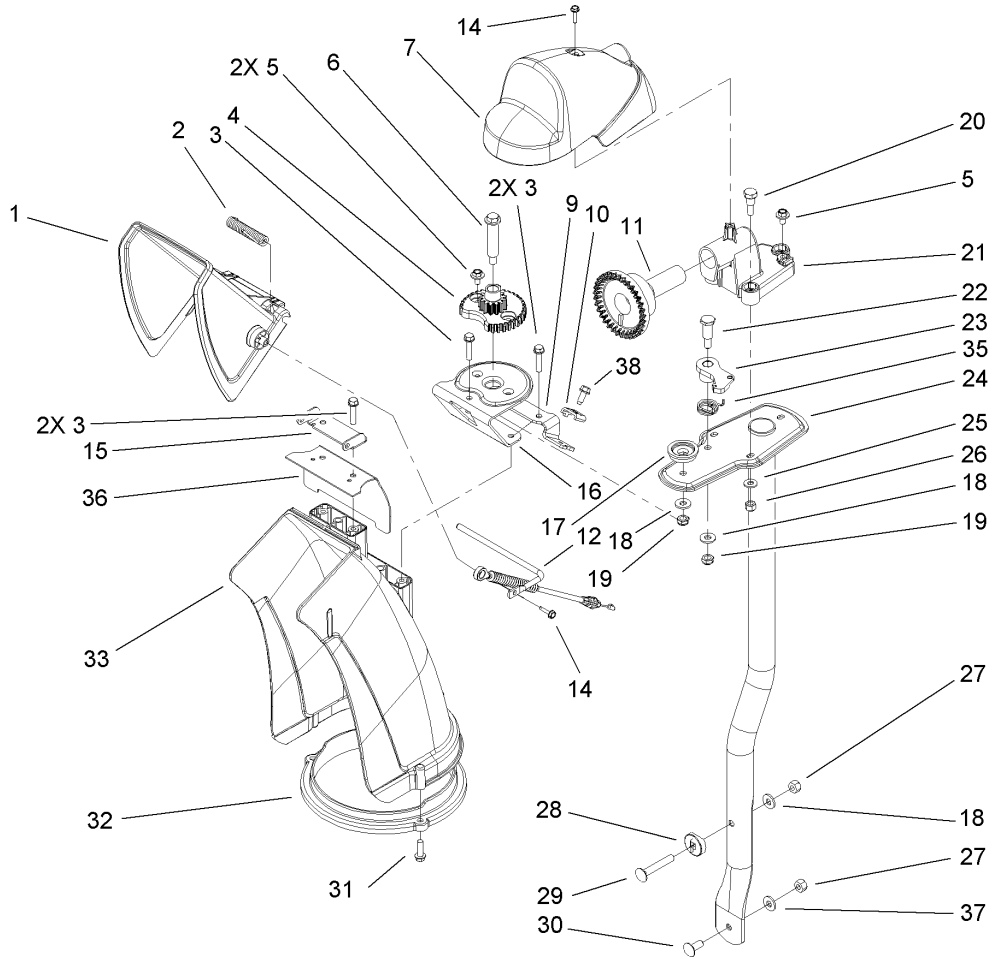
| Ref | Part No. | Qty. | Description |
|------|-------------|------|------------------------|
| 29 | 26-6110 | 1 | Flange-Cup, Bearing |
| 30 | 63-3450 | 1 | Bearing-Ball |
| 31 | 26-6120 | 1 | Flange-Cup, Bearing |
| 32 | 107-3823 | 1 | Housing-Auger, 28 Inch |
| 32:2 | 53-7670 | 1 | Decal-Warning, Auger |
| 33 | 32144-70 | 4 | Screw-HWHTF |
| 34 | 106-4588-01 | 2 | Skid |
| 35 | 52-2861 | 4 | Washer |
| 36 | 106-4573-01 | 1 | Scraper-Fixed |
| 37 | 3230-16 | 4 | Screw-CARR |
| 39 | 321-44 | 2 | Screw-HHF |
| 40 | 106-7301-03 | 1 | LH Auger ASM |
| 41 | 106-4570 | 2 | Auger-Bearing |
| 42 | 3-0750 | 2 | Washer |
| 43 | 323-4 | 2 | Screw-HH |
| 46 | 32144-14 | 6 | Screw-HWHTF |
| 47 | 108-0039-03 | 1 | Seal |
| 48 | 1-633545 | 2 | Spacer |



28 Inch Auger Gearcase Assembly No. 108-7329

| Ref | Part No. | Qty. | Description |
|-------|----------|------|------------------------|
| 1 | 108-7325 | 1 | LH Auger Gearcase ASM |
| ② 1:1 | | 1 | Gearcase-Auger, LH |
| 1:1:2 | 256-237 | 1 | Bushing |
| 1:1:3 | 7-0045 | 1 | Seal-Oil |
| 2 | 108-7327 | 1 | RH Auger Gearcase ASM |
| ② 2:1 | | 1 | Gearcase-Auger, RH |
| 2:1:2 | 256-237 | 1 | Bushing |
| 2:1:3 | 7-0045 | 1 | Seal-Oil |
| 3 | 252-71 | 2 | Washer-Thrust |
| 4 | 62-0120 | 1 | Gear-Helical |
| 5 | 106-4421 | 1 | Shaft-Auger |
| 6 | 3257-10 | 1 | Key-Woodruff |
| 7 | 66-7811 | 1 | Shaft-Impeller |
| 8 | 253-149 | 1 | Seal-Oil |
| 9 | 37-6560 | 1 | Bushing-Input |
| 10 | 62-1150 | 1 | Bushing-Worm |
| 11 | 252-78 | 2 | Washer-Thrust |
| 12 | 252-76 | 1 | Bearing-Thrust |
| 13 | 32151-33 | 1 | Ring-Retaining, EXT |
| 14 | 108-4862 | 9 | Screw-HWHTF |
| 15 | 281-1 | 1 | Plug-Pipe, SQH |
| 16 | 108-7330 | 1 | Gasket-Gearcase, Auger |

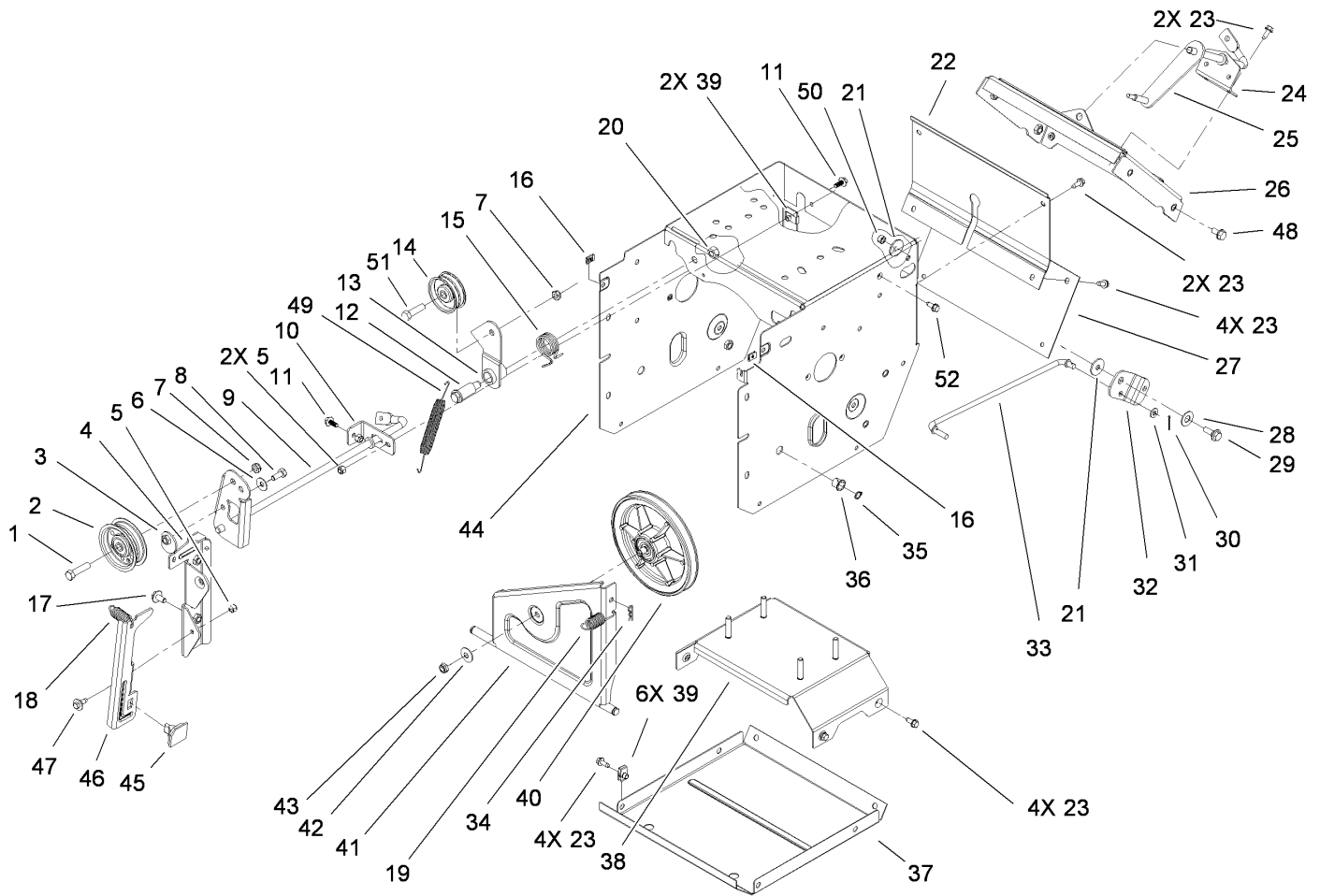
| | | | |
|--|--|--|--|
| | | | |
| | | | |
| | | | |
| | | | |



Chute Assembly

| Ref | Part No. | Qty. | Description |
|-----|-------------|------|------------------------|
| 1 | 112-6606 | 1 | Deflector-Chute |
| 2 | 106-4594 | 1 | Spring-Torsion |
| 3 | 46-8092 | 5 | Screw-Plastite |
| 4 | 106-4472 | 1 | Gear-Chute |
| 5 | 46-6810 | 3 | Screw And Washer ASM |
| 6 | 100-9880 | 1 | Bolt-Shoulder |
| 7 | 106-4585 | 1 | Cover-Gear, Chute |
| 9 | 106-7296 | 1 | Bracket-Cable, Clamp |
| 10 | 106-7297 | 1 | Clamp-Cable |
| 11 | 106-4471 | 1 | Gear-Face |
| 12 | 107-1021 | 1 | Rod-Deflector |
| 14 | 98-1375 | 2 | Screw-HWH |
| 15 | 106-7266 | 1 | Bracket-Deflector |
| 16 | 106-4582-03 | 1 | Bracket-Support, Chute |
| 17 | 106-4422 | 1 | Spacer-Chute |
| 18 | 3256-2 | 3 | Washer-Flat |
| 19 | 3296-47 | 2 | Nut-Lock, NI |
| 20 | 106-7276 | 3 | Screw-Shoulder |
| 21 | 106-7257 | 1 | Mount-Gear, Face |
| 22 | 63-2650 | 1 | Screw-Shoulder |
| 23 | 106-4476 | 1 | Latch-Chute |
| 24 | 106-7253-03 | 1 | Tube-Support |
| 25 | 3256-22 | 3 | Washer-Flat |
| 26 | 3296-42 | 3 | Nut-Lock, NI |

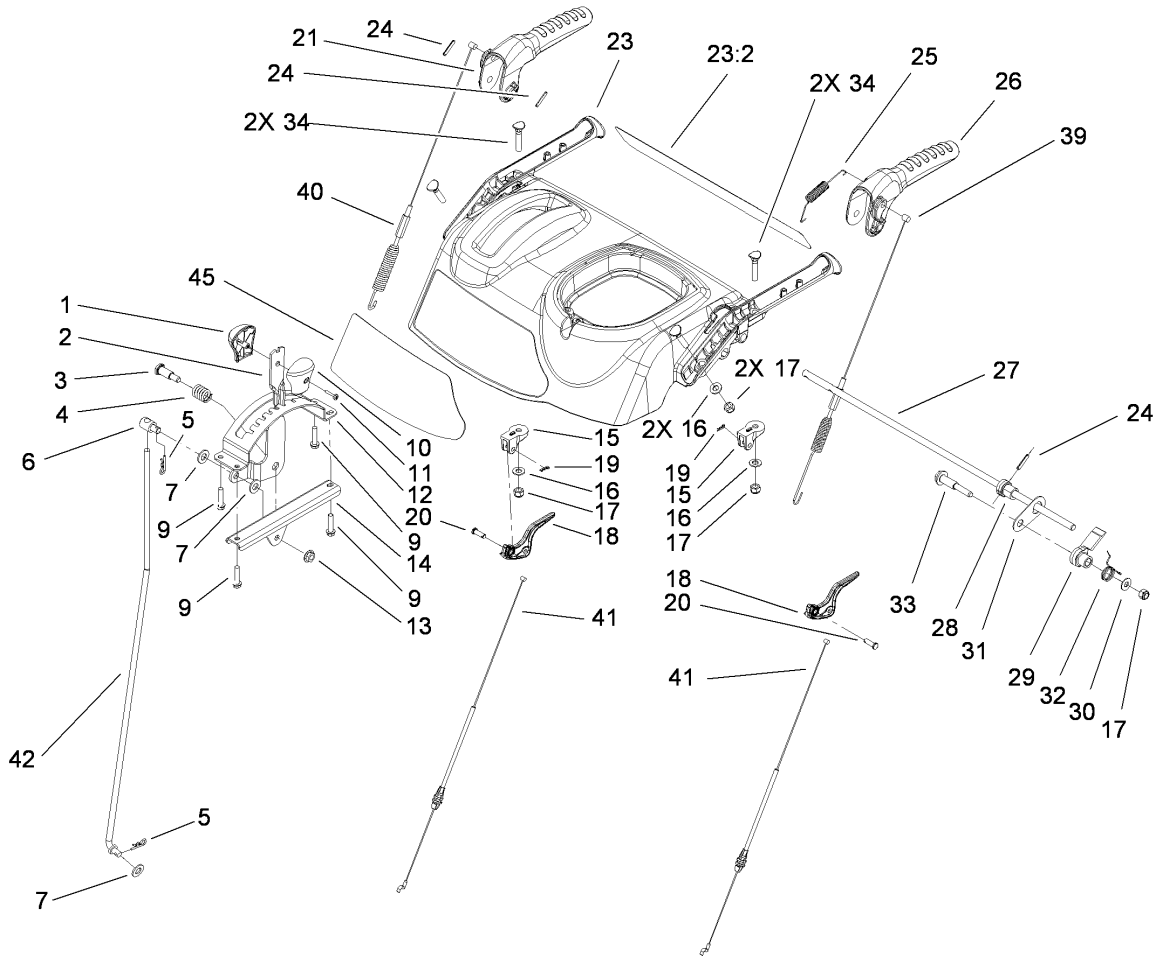
| Ref | Part No. | Qty. | Description |
|-----|----------|------|-------------------|
| 27 | 3296-29 | 2 | Nut-Lock, NI |
| 28 | 106-7260 | 1 | Washer-Curved |
| 29 | 3230-5 | 1 | Screw-CARR |
| 30 | 3230-23 | 1 | Screw-CARR |
| 31 | 46-8091 | 3 | Screw-HWH |
| 32 | 105-9991 | 1 | Ring-Chute |
| 33 | 106-4440 | 1 | Chute-Discharge |
| 35 | 108-7315 | 1 | Spring-Torsion |
| 36 | 108-5052 | 1 | Seal-Chute |
| 37 | 3290-456 | 1 | Washer-Belleville |
| 38 | 32144-10 | 1 | Screw-HWH |



Frame Assembly

| Ref | Part No. | Qty. | Description |
|-----|-------------|------|-------------------------|
| 1 | 323-8 | 1 | Screw-HH |
| 2 | 92-7104 | 1 | Pulley-Idler |
| 3 | 107-1047 | 1 | Nut |
| 4 | 107-1039 | 1 | Bracket-Idler, Impeller |
| 5 | 3296-42 | 3 | Nut-Lock, NI |
| 6 | 3290-456 | 1 | Washer-Belleville |
| 7 | 3296-59 | 2 | Nut-Lock, NI |
| 8 | 322-3 | 1 | Screw-HH |
| 9 | 107-3838-03 | 1 | Impeller Clutch ASM |
| 10 | 106-7341 | 1 | Bracket-Rear, Clutch |
| 11 | 99-6810 | 2 | Screw-HH |
| 12 | 108-5056 | 1 | Bolt-Shoulder |
| 13 | 108-5058 | 1 | Arm-Idler, Traction |
| 14 | 3-4244 | 1 | Pulley-Idler |
| 15 | 108-7332 | 1 | Spring-Torsion |
| 16 | 107-1013 | 2 | Nut-Speed, U-Type |
| 17 | 3234-7 | 2 | Screw-HHF |
| 18 | 107-1045 | 1 | Spring-Extension |
| 19 | 107-1003 | 1 | Spring-Extension |
| 20 | 3296-76 | 1 | Nut-Lock, NI |
| 21 | 5-4460 | 2 | Washer-Pivot |
| 22 | 108-0022-01 | 1 | Cover-Upper |
| 23 | 32144-10 | 16 | Screw-HWH |
| 24 | 108-0036 | 1 | Bracket-Rod, Shift |

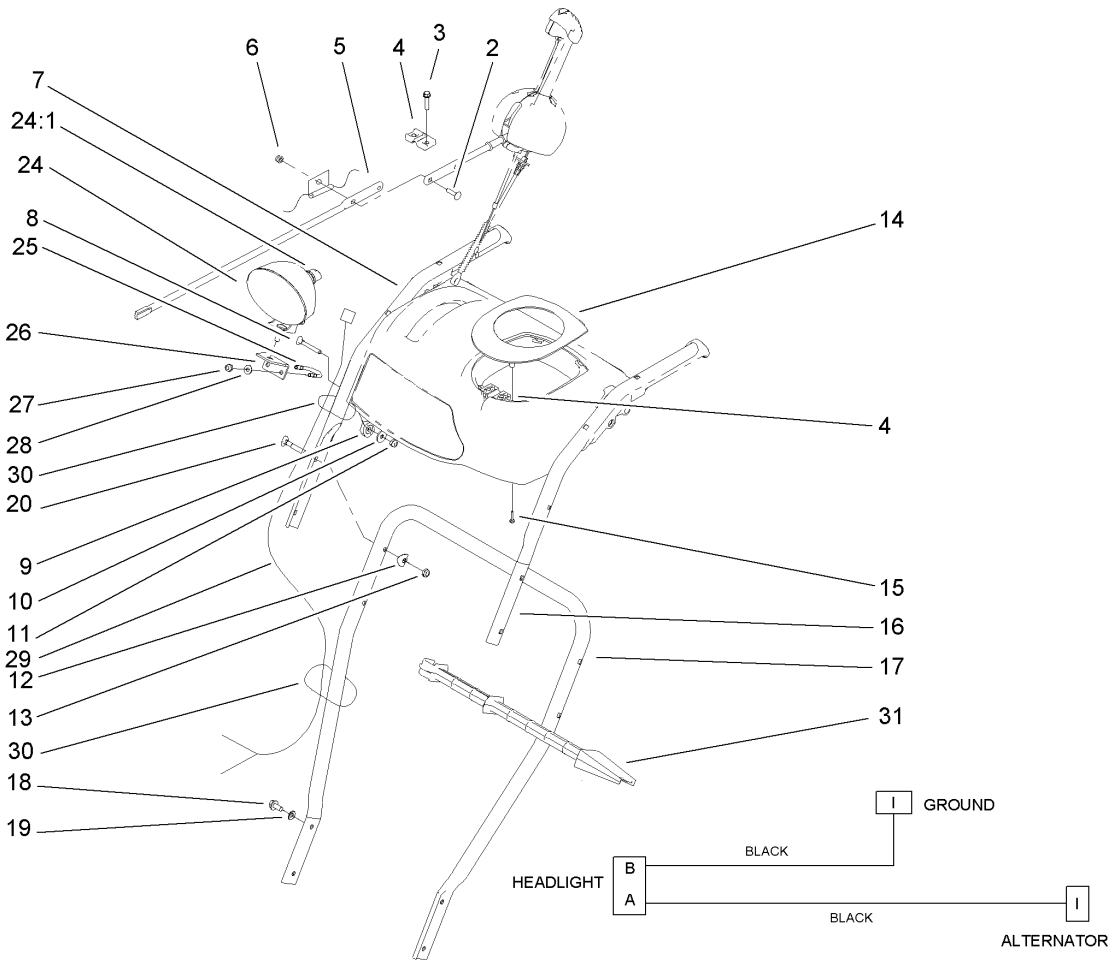
| Ref | Part No. | Qty. | Description |
|-----|-------------|------|----------------------------|
| 25 | 106-7268 | 1 | Lever-Control, Traction |
| 26 | 108-0026-01 | 1 | Shift Plate ASM |
| 27 | 106-7345-01 | 1 | Cover-Lower |
| 28 | 25-5640 | 1 | Washer |
| 29 | 27-0410 | 1 | Screw-Shoulder |
| 30 | 3272-4 | 1 | Pin-Cotter |
| 31 | 3256-23 | 1 | Washer-Flat |
| 32 | 107-1011 | 1 | Bellcrank-Drive |
| 33 | 106-4467 | 1 | Link-Control, Speed |
| 34 | 3290-307 | 1 | Pin-Hair |
| 35 | 32151-61 | 2 | Ring-Retaining |
| 36 | 256-257 | 2 | Bushing-Nyliner |
| 37 | 106-7330-01 | 1 | Pan-Bottom |
| 38 | 106-7315 | 1 | Brace Frame ASM |
| 39 | 107069 | 8 | Clip |
| 40 | 108-0031 | 1 | Traction Pulley ASM |
| 41 | 108-7307 | 1 | Friction Wheel Bracket ASM |
| 42 | 3290-340 | 1 | Washer-Belleville |
| 43 | 3296-5 | 1 | Nut-Lock |
| 44 | 114-9259-01 | 1 | Traction Frame ASM |
| 45 | 66-8060 | 1 | Pad-Brake |
| 46 | 107-1000 | 1 | Arm-Brake |
| 47 | 92-9698 | 1 | Screw-Shoulder |
| 48 | 32144-14 | 4 | Screw-HWHTF |



Handle Assembly

| Ref | Part No. | Qty. | Description |
|------|-------------|------|---------------------------|
| 1 | 106-4423 | 1 | Knob-Shift, RH |
| 2 | 106-7278-03 | 1 | Selector-Speed |
| 3 | 63-2650 | 1 | Screw-Shoulder |
| 4 | 108-7313 | 1 | Spring-Compression |
| 5 | 3290-307 | 2 | Pin-Hair |
| 6 | 110-3446 | 1 | Trunion-Rod |
| 7 | 3256-24 | 3 | Washer-Flat |
| 9 | 46-8092 | 4 | Screw-Plastite |
| 10 | 105-9999 | 1 | Knob-Shift, LH |
| 11 | 94-4496 | 1 | Screw-PPH |
| 12 | 106-7277-03 | 1 | Guide-Selector, Speed |
| 13 | 32128-13 | 1 | Nut-HF |
| 14 | 106-7279-03 | 1 | Mount-Selector, Speed |
| 15 | 105-9980 | 2 | Mount-Clutch, Lever |
| 16 | 3256-70 | 4 | Washer-Flat |
| 17 | 3296-72 | 5 | Nut-Lock, NI |
| 18 | 106-4505 | 2 | Lever-Clutch |
| 19 | 108-2992 | 2 | Pin-Hair |
| 20 | 1-808265 | 2 | Pin-Clevis |
| 21 | 106-4413 | 1 | Lever-Auger |
| 23 | 112-6632 | 1 | Control Panel ASM |
| 23:2 | 112-6622 | 1 | Decal-Control Panel, Back |
| 24 | 32121-125 | 3 | Pin-Spring |
| 25 | 107-3001 | 1 | Spring-Tension |

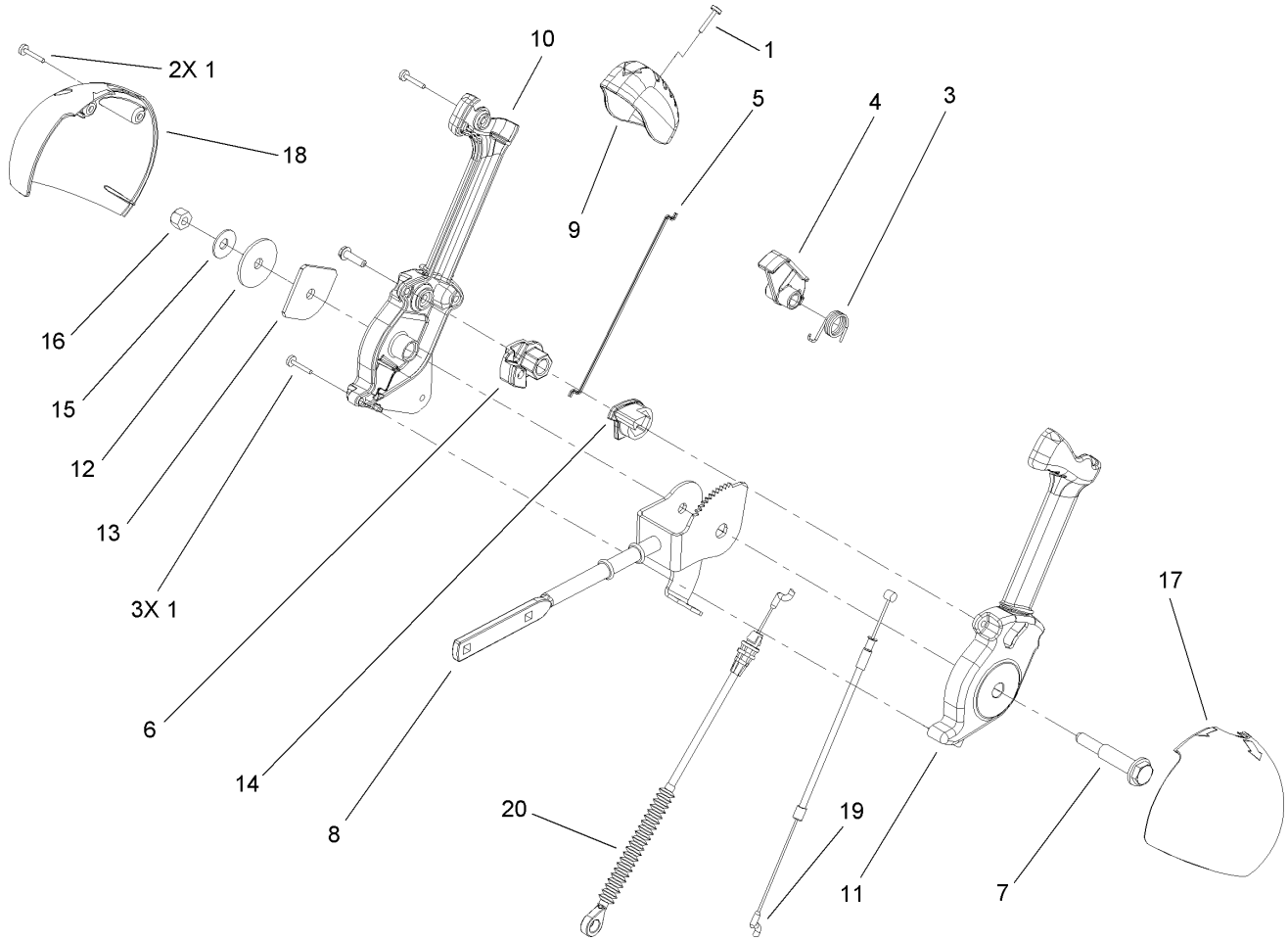
| Ref | Part No. | Qty. | Description |
|-----|----------|------|----------------|
| 26 | 106-4410 | 1 | Lever-Traction |
| 27 | 105-9996 | 1 | Rod-Lockout |
| 28 | 107-1043 | 1 | Cam-Lockout |
| 29 | 108-0023 | 1 | Latch-Lockout |
| 30 | 98-3499 | 1 | Washer-Flat |
| 31 | 107-3000 | 1 | Link-Lockout |
| 32 | 108-0024 | 1 | Spring-Torsion |
| 33 | 106-4412 | 1 | Screw-Shoulder |
| 34 | 107-3018 | 4 | Screw-Handle |
| 39 | 115-5671 | 1 | Cable-Traction |
| 40 | 115-5680 | 1 | Cable-Auger |
| 41 | 107-8896 | 2 | Cable-Clutch |
| 42 | 107-1005 | 1 | Rod-Shift |
| 45 | 108-2964 | 1 | Decal |



Handle and Control Assembly

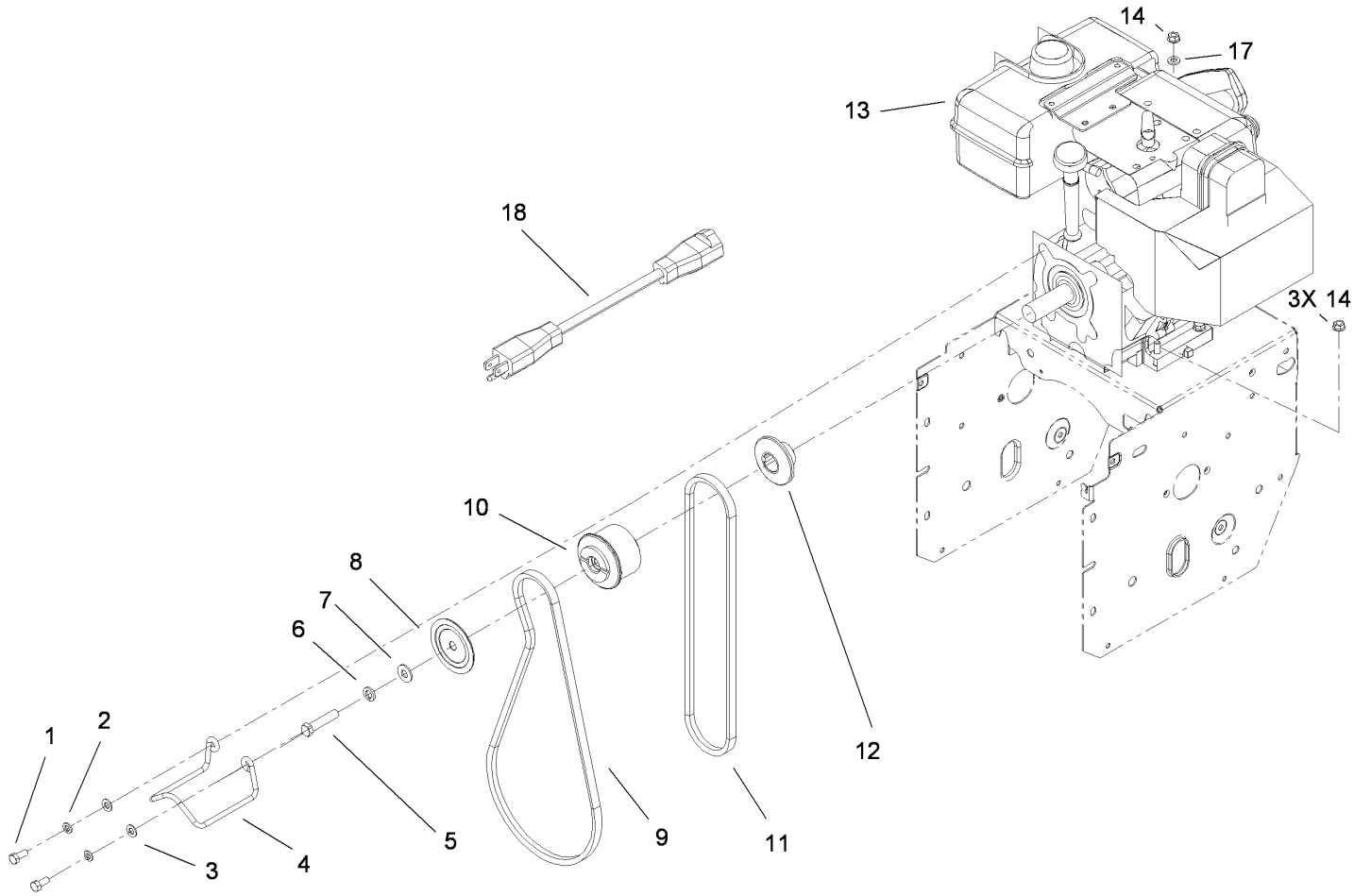
| Ref | Part No. | Qty. | Description |
|------|-------------|------|----------------------|
| 2 | 3229-30 | 2 | Screw-CARR |
| 3 | 46-8092 | 2 | Screw-Plastite |
| 4 | 105-9987 | 2 | Support-Rod |
| 5 | 106-7283 | 1 | Rod-Chute, Front |
| 6 | 3296-73 | 2 | Nut-Lock, NI |
| 7 | 108-0038-03 | 1 | Handle-Upper, RH |
| 8 | 95-4453 | 2 | Screw |
| 9 | 106-4509 | 2 | Clamp-Cable |
| 10 | 87-6630 | 2 | Washer-Plain |
| 11 | 3296-73 | 2 | Nut-Lock, NI |
| 12 | 107-3844 | 4 | Washer |
| 13 | 3296-72 | 4 | Nut-Lock, NI |
| 14 | 106-4586 | 1 | Cover-Panel, Control |
| 15 | 94-4496 | 2 | Screw-PPH |
| 16 | 108-0037-03 | 1 | Handle-Upper, LH |
| 17 | 105-9981-03 | 1 | Handle-Lower |
| 18 | 32144-14 | 4 | Screw-HWHTF |
| 19 | 3290-475 | 4 | Washer-Belleville |
| 20 | 92-2260 | 4 | Screw-Handle |
| 24 | 106-4510 | 1 | Headlamp ASM |
| 24:1 | 108-0008 | 1 | Lamp-12 Volt |
| 25 | 107-3024 | 1 | Clamp |
| 26 | 107-1020-03 | 1 | Bracket-Light |
| 27 | 3296-73 | 2 | Nut-Lock, NI |

| Ref | Part No. | Qty. | Description |
|-----|----------|------|----------------|
| 28 | 3256-1 | 2 | Washer-Flat |
| 29 | 106-4511 | 1 | Harness-Wire |
| 30 | 614249 | 2 | Strap-Tie |
| 31 | 110-3408 | 1 | Stick-Cleanout |



Lever Chute Control Assembly

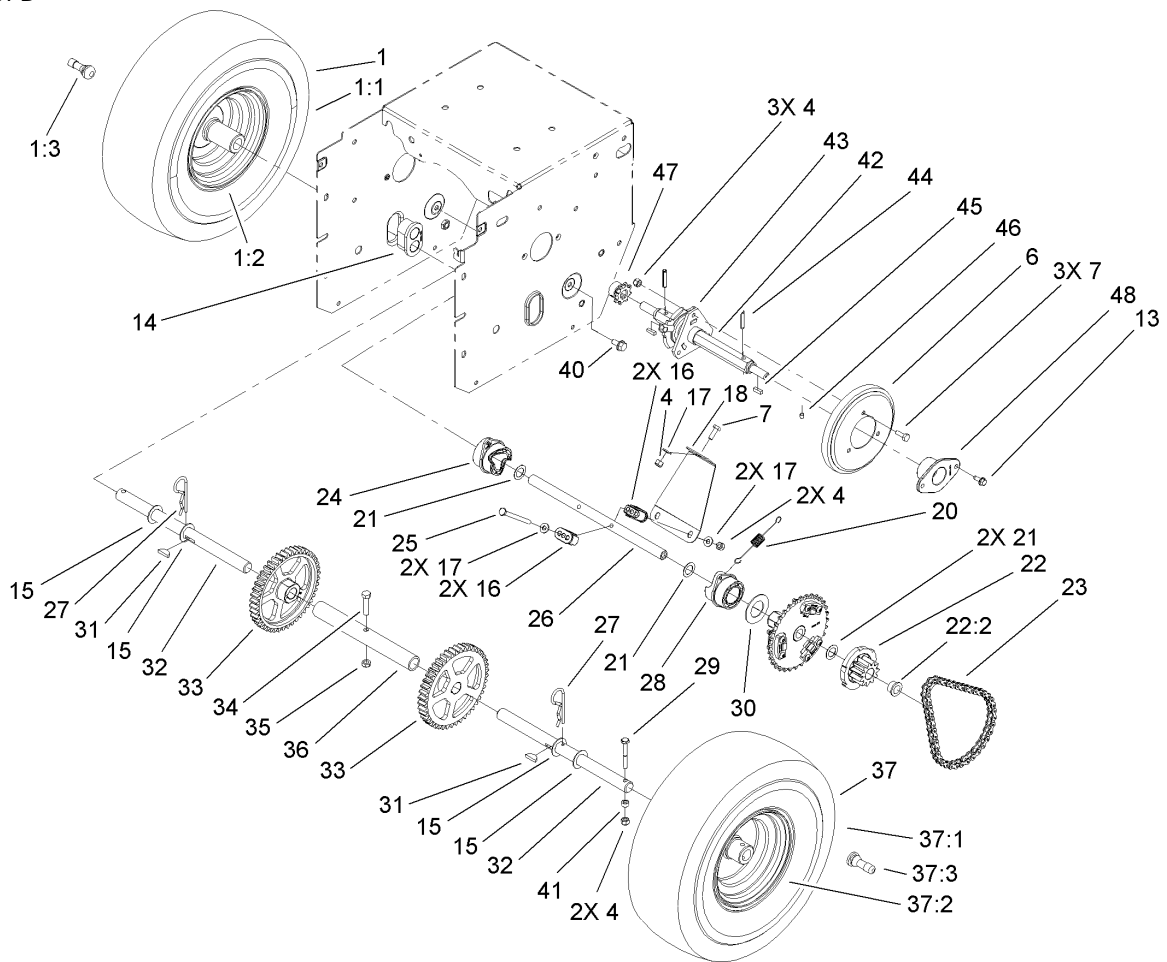
| Ref | Part No. | Qty. | Description |
|-----|----------|------|--------------------------|
| 1 | 94-4496 | 6 | Screw-PPH |
| 3 | 105-9982 | 1 | Spring-Torsion |
| 4 | 105-9984 | 1 | Trigger-Latch |
| 5 | 105-9985 | 1 | Link-Latch |
| 6 | 105-9988 | 1 | Lever-Cable, Deflector |
| 7 | 105-9995 | 1 | Screw-Shoulder |
| 8 | 106-4479 | 1 | Rod-Control, Chute |
| 9 | 106-7280 | 1 | Cap-Lever |
| 10 | 106-7281 | 1 | Lever-Chute Control, RH |
| 11 | 106-7282 | 1 | Lever-Chute Control, LH |
| 12 | 107-3002 | 1 | Washer-Nylon |
| 13 | 106-7295 | 1 | Plate-Friction |
| 14 | 106-7310 | 1 | Pawl-Latch |
| 15 | 3290-456 | 1 | Washer-Belleville |
| 16 | 3296-29 | 1 | Nut-Lock, NI |
| 17 | 105-9986 | 1 | Cover-Chute Lever, LH |
| 18 | 106-7292 | 1 | Cover-Chute Lever, RH |
| 19 | 105-9989 | 1 | Cable-Release, Chute |
| 20 | 105-9990 | 1 | Cable-Control, Deflector |



Engine Assembly

| Ref | Part No. | Qty. | Description |
|-----|----------|------|-------------------------------------|
| 1 | 3210-3 | 2 | Screw-HH |
| 2 | 3253-4 | 2 | Washer-Lock |
| 3 | 3256-23 | 2 | Washer-Flat |
| 4 | 107-3835 | 1 | Guide-Belt |
| 5 | 3212-8 | 1 | Screw-HH |
| 6 | 3253-6 | 1 | Washer-Lock |
| 7 | 3256-4 | 1 | Washer-Flat |
| 8 | 62-0940 | 1 | Sheave-Half, Impeller |
| 9 | 106-4498 | 1 | Belt-V |
| 10 | 106-7333 | 1 | Pulley-Engine, Center |
| 11 | 94-8812 | 1 | V Belt-Traction |
| 12 | 106-7334 | 1 | Sheave-Half, Traction |
| 13 | | 1 | Engine-Tecumseh, LH358Sa-159625A Es |
| 14 | 32128-20 | 4 | Nut-HF |
| 17 | 3256-2 | 1 | Washer-Flat |
| 18 | 99-9300 | 1 | Cord-Extension |

| | | | |
|--|--|--|--|
| | | | |
|--|--|--|--|



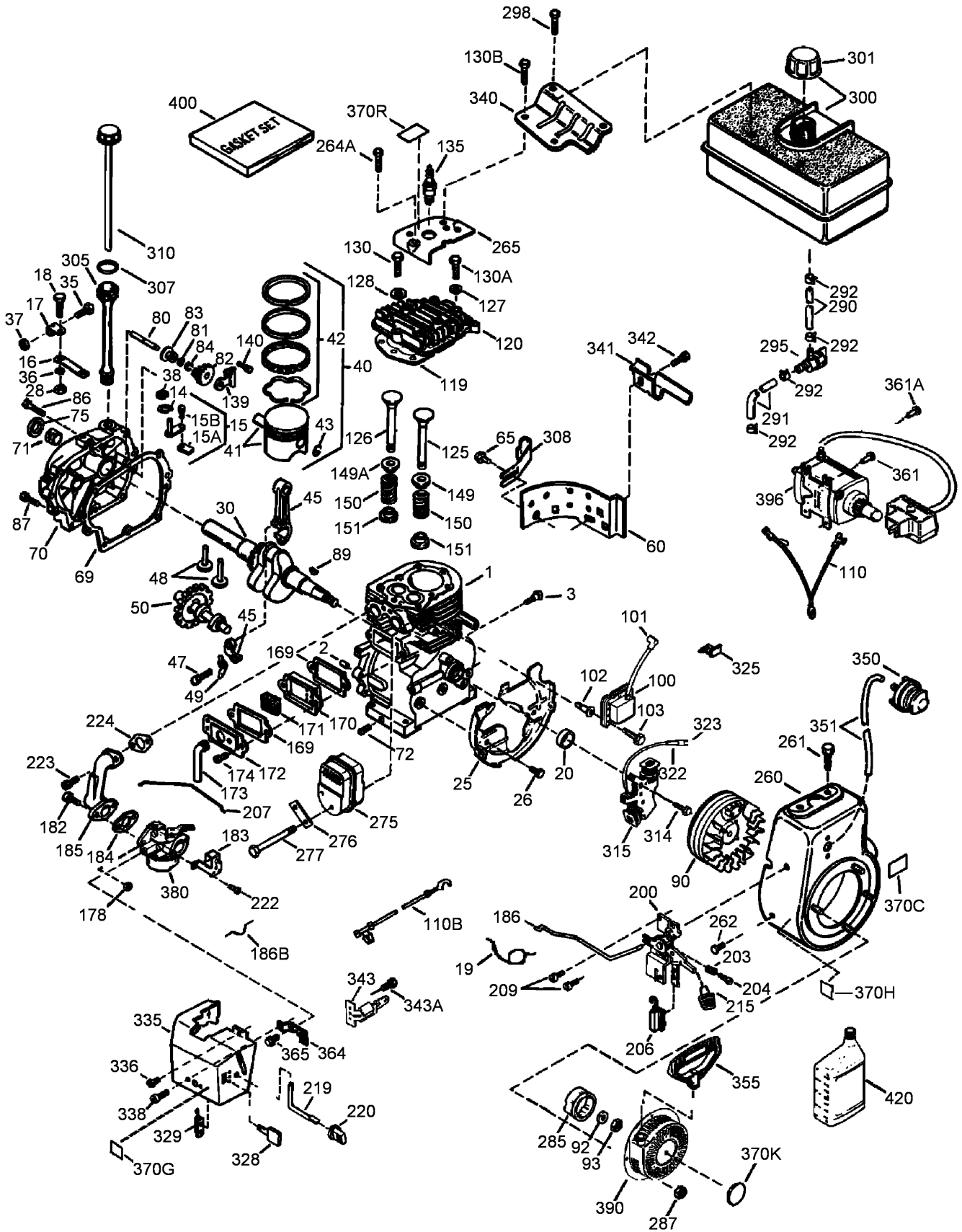
Wheel Clutch Assembly

| Ref | Part No. | Qty. | Description |
|------|-------------|------|-----------------------|
| ② 1 | | 1 | RH Wheel And Tire ASM |
| 1:1 | 107-3042 | 1 | Tire |
| 1:2 | 107-3043 | 1 | Rim-Tire |
| 1:3 | 232-27 | 1 | Stem-Valve |
| 4 | 3296-42 | 8 | Nut-Lock, NI |
| 6 | 106-4480 | 1 | Wheel-Friction |
| 7 | 321-4 | 4 | Screw-HH |
| 13 | 32144-10 | 4 | Screw-HWH |
| 14 | 106-4558 | 2 | Bearing-Axle |
| 15 | 3-8664 | 4 | Washer-Thrust |
| 16 | 107-8889 | 4 | Guide-Collar |
| 17 | 3256-22 | 5 | Washer-Flat |
| 18 | 107-8892-03 | 1 | Brace-Collar, Shift |
| 20 | 107-8893 | 2 | Spring-Extension |
| 21 | 108-0015 | 4 | Washer-Flat |
| 22 | 107-8894 | 2 | 11T Gear ASM |
| 22:2 | 108-2973 | 2 | Bushing-Flange |
| 23 | 108-0016 | 2 | Chain-Roller |
| 23 | 2710-6 | 2 | Link-Connecting |
| 24 | 107-8888 | 1 | Collar-Shift, RH |
| 25 | 321-23 | 2 | Screw-HH |
| 26 | 107-8883 | 1 | Shaft-Intermediate |
| 27 | 3290-343 | 2 | Pin-Hair |
| 28 | 107-8887 | 1 | Collar-Shift, LH |

| Ref | Part No. | Qty. | Description |
|------|----------|------|-----------------------|
| 29 | 108-2975 | 2 | Screw-HH |
| 30 | 107-8891 | 2 | Washer-Thrust |
| 31 | 3257-7 | 2 | Key-Woodruff |
| 32 | 107-8898 | 2 | Shaft-Axle |
| 33 | 106-4572 | 2 | Gear-Axle, 44 Tooth |
| 34 | 322-17 | 1 | Screw-HH |
| 35 | 3296-47 | 1 | Nut-Lock, NI |
| 36 | 106-7259 | 1 | Tube-Axle |
| ② 37 | | 1 | LH Wheel And Tire ASM |
| 37:1 | 107-3042 | 1 | Tire |
| 37:2 | 107-3043 | 1 | Rim-Tire |
| 37:3 | 232-27 | 1 | Stem-Valve |
| 40 | 32144-14 | 2 | Screw-HWHTF |
| 41 | 55-9370 | 2 | Spacer-Blade, Rotor |
| 42 | 108-7314 | 1 | Shaft-Hex |
| 43 | 106-4434 | 1 | Trunion-Hex |
| 44 | 32121-9 | 2 | Pin-Roll, Slotted |
| 45 | 94-8850 | 2 | Key-Square |
| 46 | 3245-32 | 4 | Screw-HSH |
| 47 | 106-7317 | 2 | Sprocket-8 Tooth |
| 48 | 108-7319 | 2 | Retainer-Bearing |

Engine Assembly No. 1

Tecumseh LH358SA-159625A



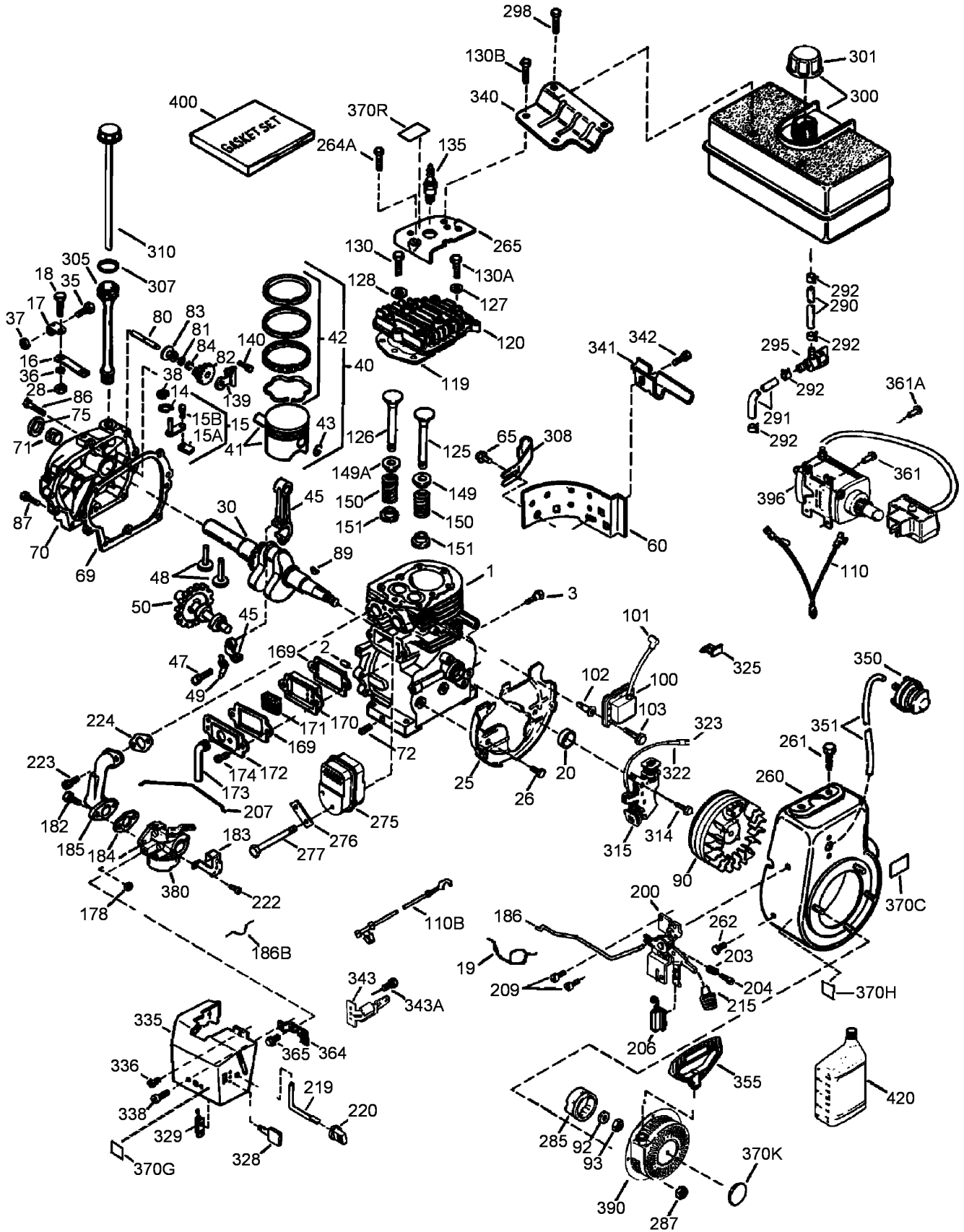
Engine Assembly No. 1

Tecumseh LH358SA-159625A

| Ref | Part No. | Qty. | Description | Ref | Part No. | Qty. | Description |
|------|----------|------|----------------------------------------------|-------|----------|------|------------------------------------------|
| ①1 | 35371 | 1 | Cylinder ASM (Includes 2, 20, 72) | ①86 | 650833 | 7 | Screw (1/4-20X1-3/16) |
| ①2 | 27652 | 2 | Pin-Dowel | ①87 | 650832 | 1 | Screw (1/4-20X1-11/16) |
| ①3 | 650820 | 2 | Screw (1/4-20X1/2) | ①89 | 32589 | 1 | Key-Flywheel |
| ①14 | 28277 | 1 | Washer-Flat | ①90 | 611093 | 1 | Flywheel ASM |
| ①15 | 30699C | 1 | Rod-Governor (Includes 15A, 15B) | ①92 | 650880 | 1 | Washer-Belleville |
| ①15A | 30700 | 1 | Yoke-Governor | ①93 | 650881 | 1 | Nut-Flywheel |
| ①15B | 650494 | 1 | Screw (6-40X5/16) | ①100 | 35135A | 1 | Ignition-State, Solid (Includes 101) |
| ①16 | 33454A | 1 | Lever-Governor | ①101 | 610118 | 1 | Cover-Spark Plug |
| ①17 | 29916 | 1 | Clamp-Lever, Governor | ①102 | 651024 | 2 | Stud-Mounting, Solid State |
| ①18 | 651028 | 1 | Screw (T-15, 8-32X7/16) | ①103 | 651007 | 2 | Screw (T-15, 10-24 X 15/16) |
| ①19 | 34663 | 1 | Spring-Throttle | ①110 | 35187 | 1 | Wire-Ground |
| ①20 | 35319 | 1 | Seal-Oil | ①110B | 37047 | 1 | Wire-Ground |
| ①25 | 37853 | 1 | Baffle-Housing, Blower | ①119 | 36451 | 1 | Gasket-Head, Cylinder |
| ①26 | 650561 | 2 | Screw (1/4-20X19/32) | ①120 | 36449 | 1 | Head-Cylinder |
| ①28 | 30322 | 1 | Nut-Lock (8-32) | ①125 | 27878A | 1 | Valve-Exhaust (STD) (Includes 151) |
| ①30 | 35571A | 1 | Crankshaft | ①125 | 27880A | 1 | Valve-Exhaust (1/32In Os) (Includes 151) |
| ①35 | 29826 | 1 | Screw (10-32X3/4) | ①126 | 34035 | 1 | Valve-Intake (STD) (Includes 151) |
| ①36 | 29918 | 1 | Washer-Lock (8) | ①127 | 650691 | 5 | Washer-Flat |
| ①37 | 29216 | 1 | Nut-Lock (10-32) | ①128 | 650690 | 3 | Washer-Belleville |
| ①38 | 29642 | 1 | Ring-Retaining | ①130 | 6021A | 4 | Screw (5/16-18X1-1/2) |
| ①40 | 35776A | 1 | Piston Pin And Ring ASM (STD) | ①130A | 650727 | 2 | Screw (5/16-18X1-25/32) |
| ①40 | 35777A | 1 | Piston Pin And Ring ASM (.010) | ①130B | 651055 | 2 | Screw (5/16-18X39/64) |
| ①40 | 35778A | 1 | Piston Pin And Ring ASM (.020) | ①135 | 35395 | 1 | Spark Plug-Resistor (R J19 L M) |
| ①41 | 35773A | 1 | Piston And Pin ASM (STD) (Includes 43) | ①139 | 33369 | 1 | Bracket-Gear, Governor |
| ①41 | 35774A | 1 | Piston And Pin ASM (.010) (Includes 43) | ①140 | 650836 | 2 | Screw (10-24X1/2) |
| ①41 | 35775A | 1 | Piston And Pin ASM (.020In Os) (Includes 43) | ①149 | 27882 | 1 | Cap-Spring, Valve |
| ①42 | 35779 | 1 | Ring Set (STD) | ①149A | 35862 | 1 | Cap-Spring, Valve |
| ①42 | 35780 | 1 | Ring Set (.010) | ①150 | 27881 | 2 | Spring-Valve |
| ①42 | 35781 | 1 | Ring Set (.020) | ①151 | 32581 | 2 | Keeper-Spring, Valve |
| ①43 | 35772 | 2 | Retaining Ring-Piston Pin | ①169 | 27896A | 1 | Gasket-Cover, Valve |
| ①45 | 36898 | 1 | Connecting Rod ASM (Includes 47, 49) | ①170 | 28423 | 1 | Body-Breather |
| ①47 | 651033 | 2 | Bolt-Rod, Connecting | ①171 | 28424 | 1 | Element-Breather |
| ①48 | 34034 | 2 | Lifter-Valve | ①172 | 28425 | 1 | Cover-Valve |
| ①49 | 36896 | 1 | Dipper-Oil | ①173 | 35350 | 1 | Tube-Breather |
| ①50 | 35375 | 1 | Camshaft (Mcr) | ①174 | 650128 | 2 | Screw (10-24X1/2) |
| ①60 | 33273A | 1 | Extension-Housing, Blower | ①178 | 29752 | 4 | Nut And Lock Washer (1/4-28) |
| ①65 | 650128 | 2 | Screw (10-24X1/2) | ①182 | 30088A | 2 | Screw (1/4-28X1) |
| ①69 | 37342 | 1 | Gasket-Cover, Cylinder | ①183 | 34587A | 1 | Bracket-Choke |
| ①70 | 37847 | 1 | Cover-Cylinder (Includes 71, 75, 80-84) | ①184 | 33263 | 1 | Gasket-Carburetor To Intake Pipe |
| ①71 | 35377 | 1 | Bushing-Crankshaft | ①185 | 33877 | 1 | Pipe-Intake |
| ①72 | 27642 | 1 | Plug-Drain, Oil (SQH 1/4-18) | ①186 | 34667 | 1 | Link-Governor |
| ①75 | 35319 | 1 | Seal-Oil | ①186B | 36652 | 1 | Spring-Choke |
| ①80 | 37587 | 1 | Shaft-Governor | ①200 | 34677 | 1 | Bracket-Control (Includes 203, 204) |
| ①81 | 651080 | 1 | Washer | ①203 | 31342 | 1 | Spring-Compression |
| ①82 | 37588 | 1 | Governor Gear ASM (Includes 81) | ①204 | 651029 | 1 | Screw (T-10, 5-40X7/16) |
| ①83 | 30588A | 1 | Spool-Governor | ①206 | 610973 | 1 | Terminal |
| ①84 | 29193 | 1 | Ring-Retaining | ①207 | 33878 | 1 | Link-Throttle |
| | | | | ①209 | 650821 | 2 | Screw (10-32 X 1/2) |

Engine Assembly No. 2

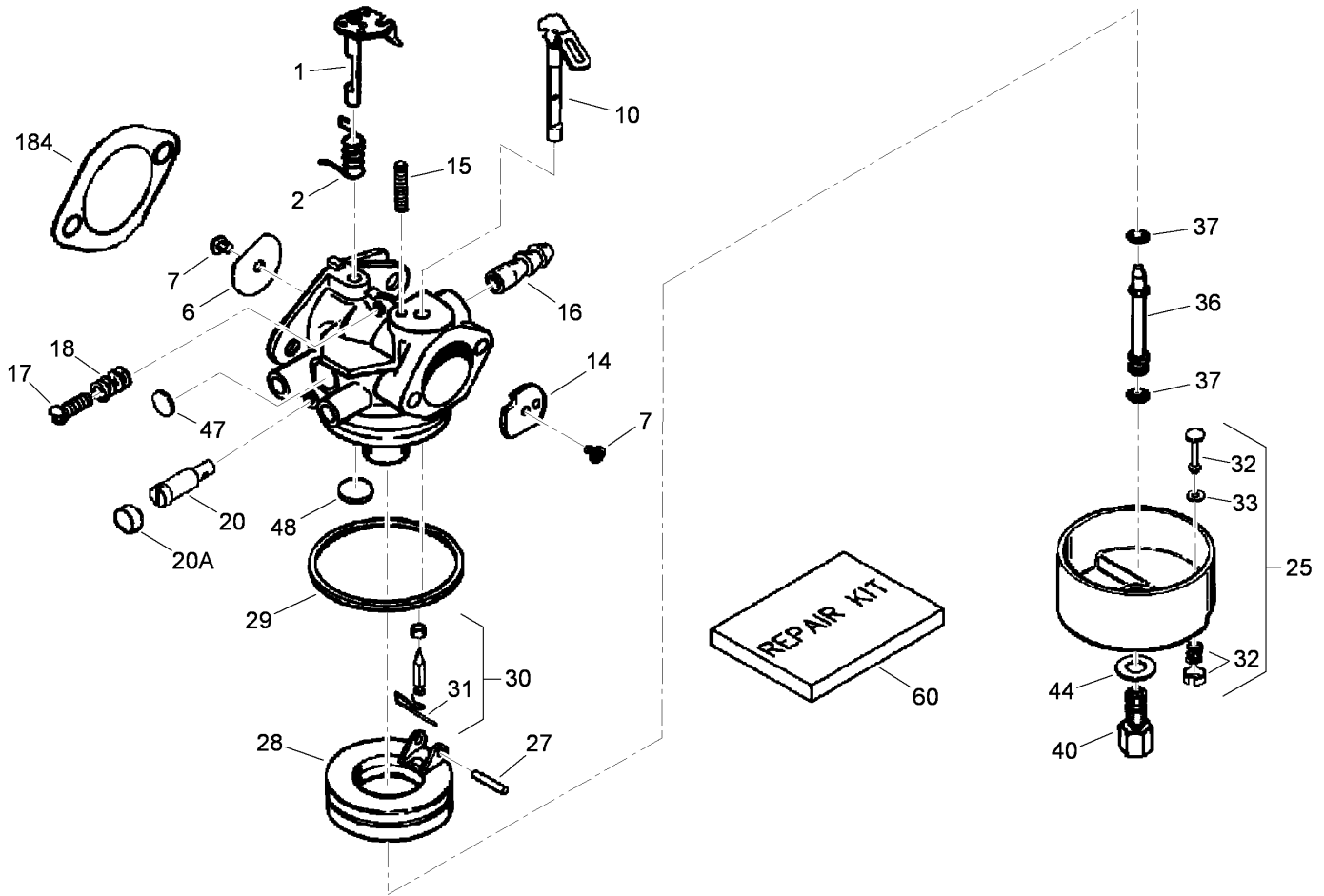
Tecumseh LH358SA-159625A



Engine Assembly No. 2

Tecumseh LH358SA-159625A

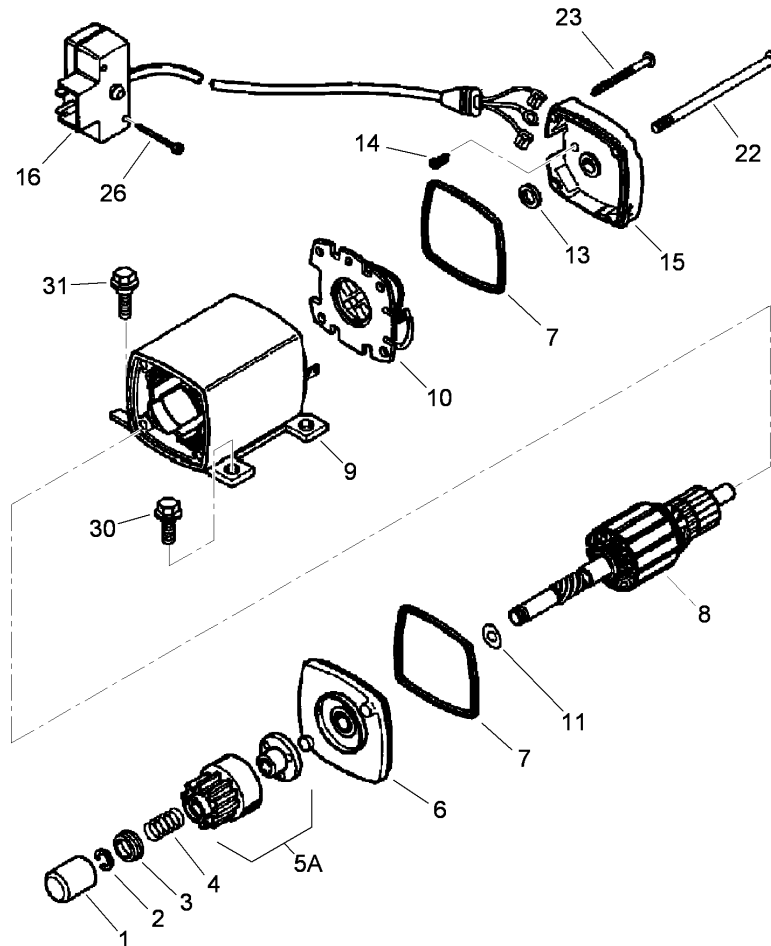
| Ref | Part No. | Qty. | Description | Ref | Part No. | Qty. | Description |
|-------|----------|------|----------------------------------------------|-------|----------|------|------------------------------------------------------------------------------|
| ③223 | 650378 | 2 | Screw (T-30, 5/16-18X1-3/32) | ③370K | 36695 | 1 | Decal-Tecumseh Logo For Top Of Recoil Starter |
| ③224 | 27915A | 1 | Gasket-Pipe, Intake | ③370R | 37119 | 1 | Decal-Warning (Bilingual) |
| ③260 | 35447A | 1 | Housing-Blower | ③380 | 640349 | 1 | Carburetor ASM (Includes 184) |
| ③261 | 650788 | 1 | Screw (5/16-18X3/4) | ③390 | 590749 | 1 | Starter-Rewind (Note: This Engine Could Have Been Built With Starter 590733) |
| ③262 | 651084 | 2 | Screw (5/16-18X9/16) | ③396 | 33329D | 1 | Starter-Electric (110 Volt) |
| ③264A | 650802 | 1 | Screw (1/2-20X5/8) | ③400 | 36452B | 1 | Gasket Set (Includes 69, 119, 169, 184, 224) |
| ③265 | 33272D | 1 | Cover-Head, Cylinder (Black) | ③420 | 730226A | 1 | Oil-Engine, S A E 5W30 |
| ③275 | 35056 | 1 | Muffler | | | | |
| ③276 | 31588 | 1 | Plate-Locking | | | | |
| ③277 | 651002 | 2 | Screw (5/16-18X4-3/16) | | | | |
| ③285 | 35985C | 1 | Cup-Starter | | | | |
| ③287 | 29752 | 4 | Nut And Lock Washer (1/4-28) | | | | |
| ③290 | 30705 | 1 | Line-Fuel | | | | |
| ③291 | 29774 | 1 | Line-Fuel (1.5In) | | | | |
| ③292 | 26460 | 6 | Clamp-Line, Fuel | | | | |
| ③295 | 35957 | 1 | Valve-Shut Off, Fuel (Includes 292) | | | | |
| ③298 | 650665 | 2 | Screw (1/4-15X7/8) | | | | |
| ③300 | 34156A | 1 | Tank-Fuel (Includes 292, 301) | | | | |
| ③301 | 37844 | 1 | Cap-Fuel (Black) (1-1/2 I D) | | | | |
| ③305 | 36877 | 1 | Tube-Fill, Oil | | | | |
| ③307 | 35499 | 1 | O-Ring | | | | |
| ③308 | 35539 | 1 | Clip-Tube, Fill | | | | |
| ③310 | 37869 | 1 | Dipstick | | | | |
| ③314 | 650873 | 1 | Screw (1/4-20 X 3/4) | | | | |
| ③315 | 611111 | 1 | Coil-Alternator, 18 Watt (Includes 322, 323) | | | | |
| ③322 | 611117 | 1 | Body-Connector | | | | |
| ③323 | 611118 | 1 | Terminal | | | | |
| ③325 | 29443 | 1 | Clip-Wire | | | | |
| ③328 | 35062 | 2 | Key-Ignition | | | | |
| ③329 | 610973 | 1 | Terminal | | | | |
| ③335 | 36547 | 1 | Cover-Carburetor (Black) | | | | |
| ③336 | 650765 | 1 | Screw (10-32X1/2) | | | | |
| ③338 | 28942 | 2 | Screw (10-32 X 3/8) | | | | |
| ③340 | 34154 | 1 | Bracket-Tank, Fuel (Black) | | | | |
| ③341 | 34155 | 1 | Bracket-Tank, Fuel | | | | |
| ③342 | 650561 | 1 | Screw (1/4-20X19/32) | | | | |
| ③343 | 35079A | 1 | Bracket-Switch, Key (Includes 343A) | | | | |
| ③343A | 651060 | 1 | Screw (8-32 X 23/64) | | | | |
| ③350 | 570682A | 0 | Primer ASM | | | | |
| ③351 | 32180C | 1 | Line-Primer | | | | |
| ③355 | 590574 | 1 | Handle-Starter, Mitten Grip | | | | |
| ③361 | 650990 | 2 | Screw (T-30, 1/4-20X15/32) | | | | |
| ③361A | 650819 | 2 | Screw (6-32X2-1/2) | | | | |
| ③364 | 37659 | 1 | Bracket-Cover, Carburetor | | | | |
| ③365 | 650767 | 2 | Screw (8-32X27/64) | | | | |
| ③370C | 36501 | 1 | Decal-Primer, International Symbol | | | | |
| ③370G | 36534 | 1 | Decal-Instruction | | | | |
| ③370H | 35077 | 1 | Decal-Speed Control And Choke | | | | |



Carburetor Assembly Tecumseh LH358SA-159625A

| Ref | Part No. | Qty. | Description |
|-----|----------|------|------------------------------------------------|
| 1 | 640349 | 1 | Carburetor ASM (Includes 184) |
| 1 | 631776A | 1 | Throttle Shaft And Lever ASM |
| 2 | 631970 | 1 | Spring-Return, Throttle |
| 6 | 640109 | 1 | Shutter-Throttle |
| 7 | 650506 | 2 | Screw-Shutter |
| 10 | 632112 | 1 | Choke Shaft And Lever ASM |
| 14 | 632174 | 1 | Shutter-Choke |
| 15 | 630735 | 1 | Spring-Positioning, Choke |
| 16 | 632164 | 1 | Fitting-Fuel |
| 17 | 651025 | 1 | Screw-Throttle Crack And Idle Speed |
| 18 | 630766 | 1 | Spring-Tension |
| 20 | 640027 | 1 | Screw-Restrictor, Idle |
| 20A | 640200 | 1 | Cap-Screw, Restrictor Idle |
| 25 | 631951 | 1 | Float Bowl ASM (Includes 32, 33) |
| 27 | 631024 | 1 | Shaft-Float |
| 28 | 632802 | 1 | Float (Plastic) |
| 29 | 631028 | 1 | O Ring-Bowl, Float |
| 30 | 631021A | 1 | Inlet Needle, Seat, And Clip ASM (Includes 31) |
| 31 | 631022 | 1 | Clip-Spring |
| 32 | 27136A | 1 | Bowl Drain ASM |
| 33 | 27554 | 1 | Gasket-Plunger, Drain |
| 36 | 640113 | 1 | Tube-Nozzle |

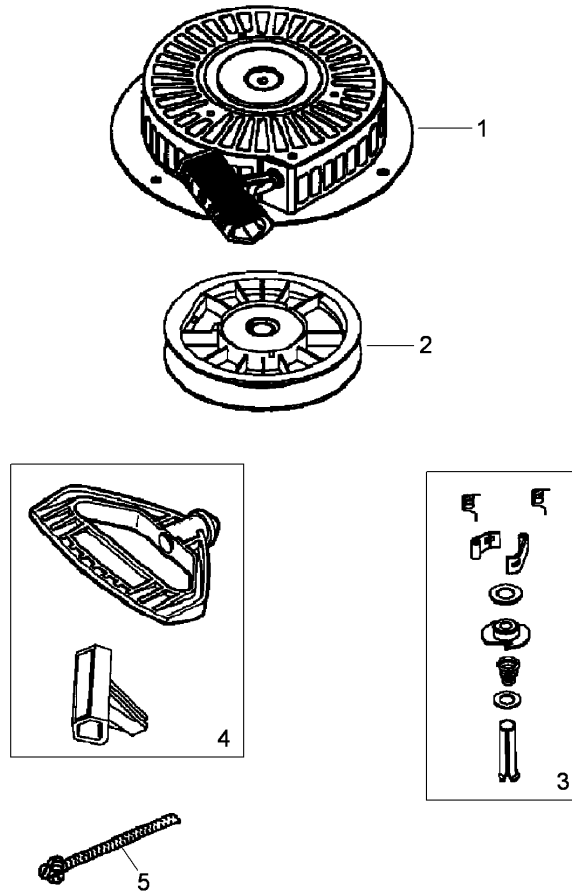
| Ref | Part No. | Qty. | Description |
|-----|----------|------|---------------------------------------------------------|
| 37 | 632547 | 2 | O-Ring |
| 40 | 640128 | 1 | Nut-Bowl, High Speed |
| 44 | 27110 | 1 | Washer-Bowl Nut |
| 47 | 630748 | 1 | Plug-Welch, Idle Mixture Well |
| 48 | 631027 | 1 | Plug-Welch, Atmospheric Vent |
| 60 | 632760B | 1 | Repair Kit (Includes 7, 27, 29, 30, 33, 37, 44, 47, 48) |
| 184 | 33263 | 1 | Gasket-Carburetor To Intake Pipe |



Electric Starter Assembly No. 33329D Tecumseh LH358SA-159625A

| Ref | Part No. | Qty. | Description |
|-----|----------|------|-------------------------------------|
| ❶ | 33451 | 1 | Cover-Dust |
| ❷ | 33842 | 1 | Ring-Retainer |
| ❸ | 33430 | 1 | Retainer-Spring |
| ❹ | 33431 | 1 | Spring-Anti Drift |
| ❺A | 37050 | 1 | Gear And Nut (Includes 2) |
| ❻ | 35449 | 1 | Drive End Cap ASM (Includes 7) |
| ❼ | 35450 | 2 | O-Ring |
| ❽ | 35915 | 1 | Armature |
| ❾ | 35451A | 1 | Housing ASM |
| ❿ | 35452A | 1 | Brush Card ASM |
| ⓫ | 35911 | 1 | Washer-Thrust |
| ⓬ | 590500 | 1 | Washer-Thrust |
| ⓭ | 33441 | 1 | Screw-Ground |
| ⓮ | 35453 | 1 | Commutator End Cap ASM (Includes 7) |
| ⓯ | 35454 | 1 | Switch Box ASM |
| ⓰ | 35455 | 2 | Bolt-Case |
| ⓱ | 35456 | 1 | Screw-Ground |
| ⓴ | 650819 | 2 | Screw (6-32X2-1/2) |
| ⓶ | 30063 | 2 | Screw (T-30, 1/4-20X1/2) |
| ⓷ | 650820 | 2 | Screw (1/4-20X1/2) |

| | | | |
|--|--|--|--|
| | | | |
| | | | |
| | | | |
| | | | |



This illustration may not depict actual equipment and is for reference purposes only

Recoil Starter Assembly No. 590749 Tecumseh LH358SA-159625A

| Ref | Part No. | Qty. | Description |
|-----|----------|------|---------------------------------------------------------|
| ❶ | 590749 | 1 | Starter-Rewind |
| ❷ | 590682 | 1 | Pulley And Rewind Spring ASM |
| ❸ | 590773 | 1 | Repair Kit |
| ❹ | 590574 | 0 | Handle-Starter, Mitten Grip (Not Included With Starter) |
| ❺ | 590535 | 1 | Rope-Starter (98 Cut To Length) |

| | | | |
|--|--|--|--|
| | | | |
|--|--|--|--|

Attachments and Accessories

For 38640 - Power Max 1028 LXE Snowthrower

| Product Name | Model/Part |
|-----------------------------|------------|
| Tire Chain Kit | 107-3813 |
| Snow Cab | 107-3814 |
| Weight Kit | 107-3815 |
| 28 Inch Drift Breaker | 107-3817 |

NOTES

