



Commercial Walk-Behind Mower Floating Deck T-Bar Gear with 36in TURBO FORCE® Cutting Unit

Model No. 30094 - 290000001 and up.

Parts Catalog

Ordering Replacement Parts

To order replacement parts, please supply the part number, the quantity, and the description of each part desired.

Understanding Reference Numbers

Each Identified part in an illustration has a reference number. The reference number for a part also appears in the parts list, along with other information about the part.

This catalog uses two special reference number formats, one to indicate parts in a service assembly and another to indicate the quantity of a given part in an illustration.

Service Assembly Reference Numbers

Parts in service assemblies have reference numbers in the form a:b. The a represents the reference number of the entire service assembly and the b represents a sequential number unique to each part within the service assembly.

For example, a wheel assembly might be identified by reference number 6, the tire by 6:1, the valve by 6:2, and the wheel by 6:3. When you order the assembly identified by reference number 6, you receive all parts identified by reference numbers 6:1, 6:2, and 6:3. However, you may also order any part individually. Reference numbers of this type appear in illustrations and in part lists.

Reference Numbers Indicating Quantity

In an illustration, if a reference number indicates more than one part, the reference number has the form nX y. The n represents the quantity of the part, the X is the multiplication symbol, and the y represents the reference number.

For example, in an illustration, the reference number 2X 37 means that two of the parts identified by reference number 37 are indicated.

Contents

| Description | Page | Description | Page |
|--|------|--|------|
| Engine and Clutch Assembly | 3 | Piston and Crankshaft Assembly Kawasaki FH430V-DS28 | 20 |
| Power-Take-Off Idler and Weight Assembly | 4 | Valve and Camshaft Assembly Kawasaki FH430V-DS28 | 21 |
| Fuel System Assembly | 5 | Lubrication Equipment Assembly Kawasaki FH430V-DS28 | 22 |
| Lower Control Assembly | 6 | Cooling Equipment Assembly Kawasaki FH430V-DS28 | 23 |
| Transmission Drive Assembly | 7 | Electric Equipment Assembly Kawasaki FH430V-DS28 | 24 |
| Wheel Drive and Brake Assembly | 8 | Control Equipment Assembly Kawasaki FH430V-DS28 | 25 |
| Upper Handle Assembly | 9 | Carburetor Assembly Kawasaki FH430V-DS28 | 26 |
| Control Panel Assembly | 10 | Air Filter and Muffler Assembly Kawasaki FH430V-DS28 | 27 |
| Carrier Frame Assembly | 11 | Fuel Tank and Valve Assembly Kawasaki FH430V-DS28 | 28 |
| Deck Drive and Baffle Assembly | 12 | Starter Assembly Kawasaki FH430V-DS28 | 29 |
| Deck Assembly No. 112-7080 | 13 | Label Assembly Kawasaki FH430V-DS28 | 30 |
| Lever Assembly No. 107-1664 | 14 | Attachments and Accessories List | 31 |
| Spindle Assembly No. 110-0730 | 15 | | |
| Spindle Assembly No. 110-0728 | 16 | | |
| Outer Deck Assembly | 17 | | |
| Deflector Assembly No. 110-0790 | 18 | | |
| Cylinder and Crankcase Assembly Kawasaki FH430V-DS28 | 19 | | |

Part Description Abbreviations

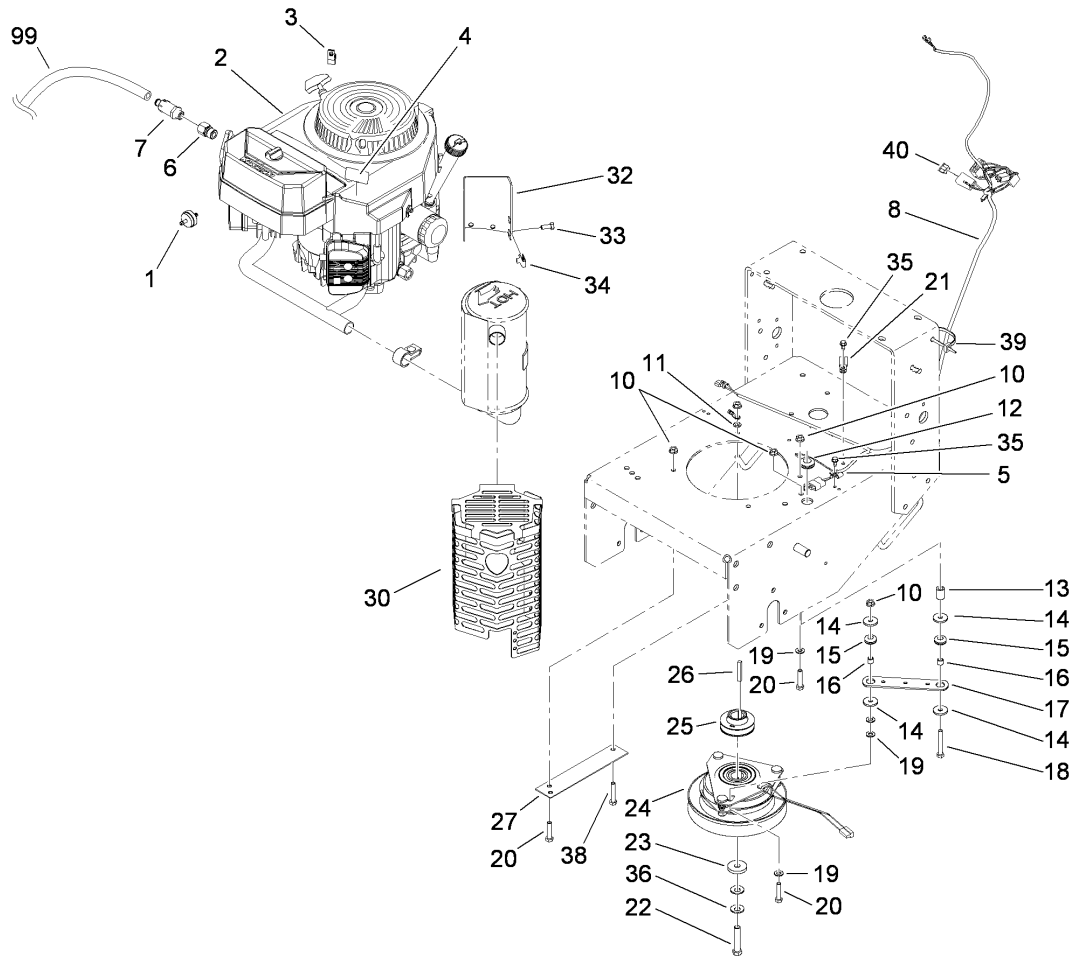
Part descriptions in this catalog may include the following abbreviations.

| | |
|--|--|
| AR. as required | HWHTF. hex washer head thread forming |
| ASM. assembly | HYD. hydraulic |
| BBC. blade brake clutch | LH. left hand |
| CARR. carriage | NI. nylon insert |
| CCW. counter clock wise | NPTF. national pipe thread fine |
| CW. clockwise | PFH. phillips flat head |
| DEG. degrees | PPH. phillips pan head |
| ECM. electronic control module | PPHTF. phillips pan head thread forming |
| EXT. external | PRH. phillips round head |
| FH. flat head | PTH. phillips truss head |
| GA. gauge | PTO. power-take-off |
| HD. heavy-duty | RH. right hand |
| HF. hex flange | ROPS. roll-over protection system |
| HH. hex head | SFH. slotted fillister head |
| HHF. hex head flange | SHH. slotted hex head |
| HHFTF. hex head flange thread forming | SHWH. slotted hex washer head |
| HJ. hex jam | SPH. slotted pan head |
| HLH. hex lag head | SQH. square head |
| HOC. height-of-cut | SRH. slotted round head |
| HSBH. hex socket button head | STD. standard |
| HSFH. hex socket flat head | TAP. self tapping |
| HSH. hex socket head | TTH. torx truss head |
| HWH. hex washer head | |

Footnotes

❶ Not serviced separately

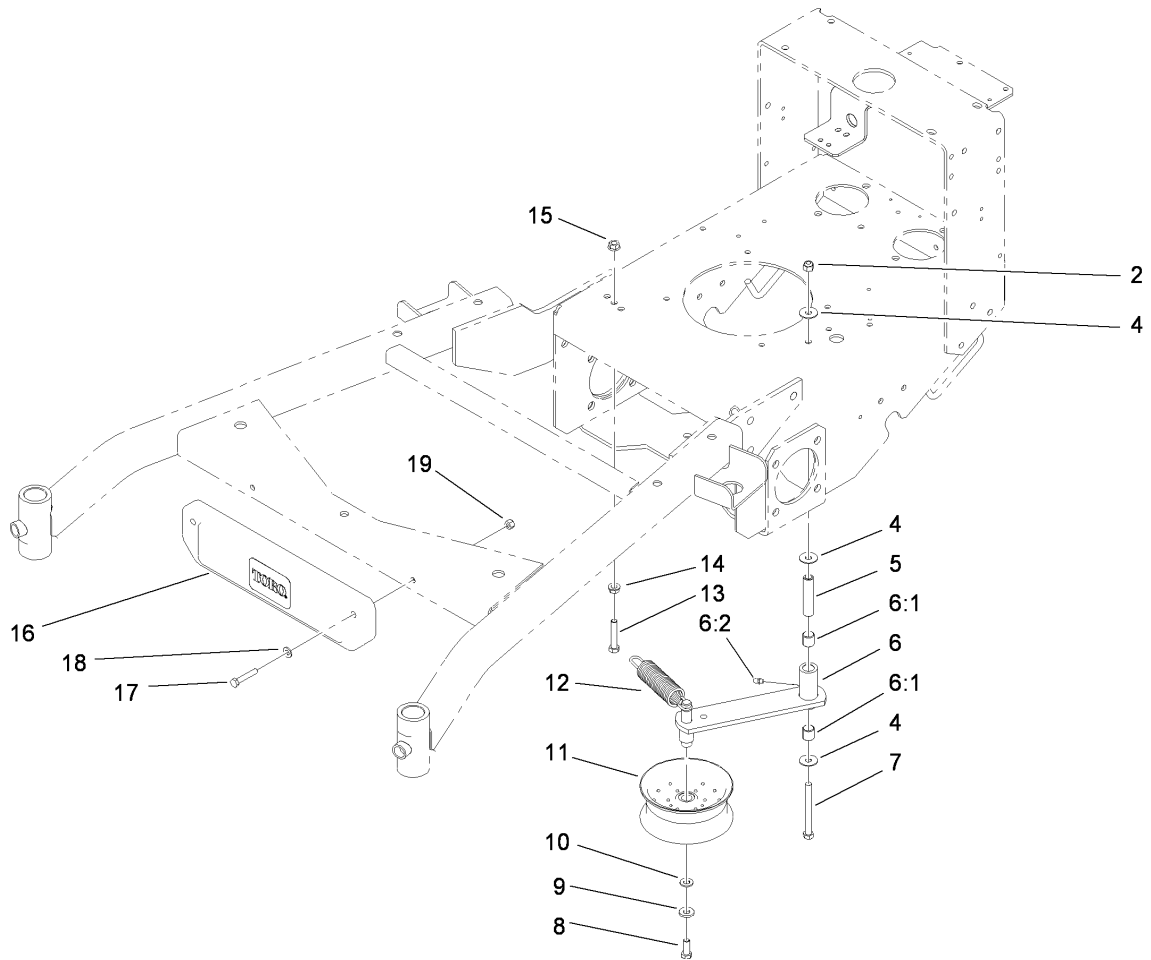
❷ Obtain parts from www.kawpowerepc.com



Engine and Clutch Assembly

| Ref | Part No. | Qty. | Description |
|-------|-------------|------|------------------------------|
| 1 | 56-6360 | 1 | Filter-Fuel |
| ① ② 2 | | 1 | Engine-Kawasaki, FH430V Ds28 |
| 3 | 2412-87 | 1 | Clamp-Cable |
| 4 | 106-0699 | 1 | Decal-Warning |
| 5 | 2412-72 | 1 | Clip-Closed, Insulated |
| 6 | 103-1966 | 1 | Adapter |
| 7 | 92-6877 | 1 | Valve-Drain, Oil |
| 8 | 104-8137 | 1 | Harness-Wire |
| 10 | 32128-20 | 6 | Nut-HF |
| 11 | 3255-8 | 1 | Washer-Lock |
| 12 | 112-7069 | 1 | Grommet |
| 13 | 104-6373 | 1 | Tube-Retainer |
| 14 | 1-613235 | 4 | Washer |
| 15 | 1-633630 | 2 | Grommet-Brake |
| 16 | 1-633545 | 2 | Spacer |
| 17 | 1-633543-03 | 1 | Strap-Clutch, Brake |
| 18 | 322-11 | 1 | Screw-HH |
| 19 | 3256-23 | 5 | Washer-Flat |
| 20 | 322-7 | 4 | Screw-HH |
| 21 | 2412-134 | 1 | Clamp-R |
| 22 | 3212-9 | 1 | Screw-HH |
| 23 | 107-4136 | 1 | Washer |
| 24 | 105-2635 | 1 | Clutch / Brake |
| 25 | 107-4112 | 1 | Pulley-Drive |

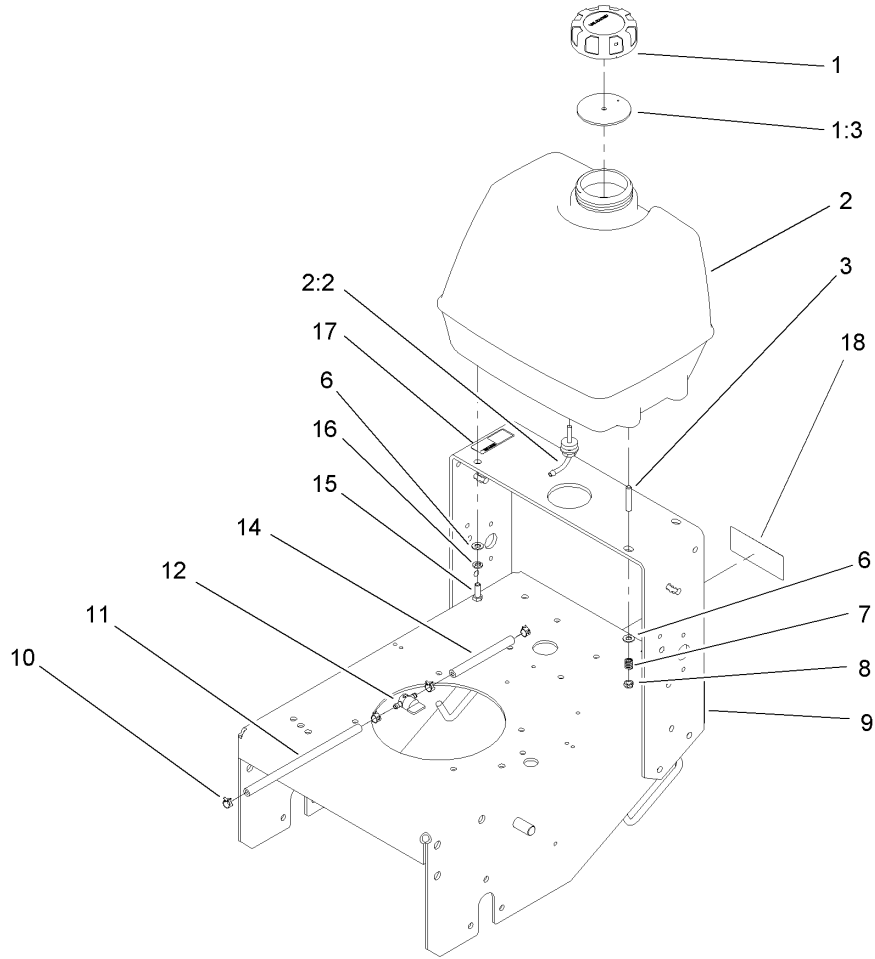
| Ref | Part No. | Qty. | Description |
|-----|-------------|------|--------------------|
| 26 | 608006 | 1 | Key-Square |
| 27 | 94-5847-01 | 1 | Cover-Pulley |
| 30 | 115-4150-03 | 1 | Muffler Shield ASM |
| 32 | 115-4154-03 | 1 | Bracket-Muffler |
| 33 | 322-3 | 4 | Screw-HH |
| 34 | 94-2413 | 4 | U-Nut |
| 35 | 12-3270 | 2 | Screw |
| 36 | 1-603610 | 2 | Washer-Spring |
| 38 | 322-9 | 1 | Screw-HH |
| 39 | 3290-378 | 1 | Tie-Cable |
| 40 | 114241 | 1 | Fuse-7.5 Amp |
| 99 | 103-1964 | 1 | Hose-Drain, Oil |



Power-Take-Off Idler and Weight Assembly

| Ref | Part No. | Qty. | Description |
|-----|-------------|------|-------------------|
| 2 | 3296-39 | 1 | Nut-Lock, NI |
| 4 | 52-2860 | 3 | Washer |
| 5 | 104-6377 | 1 | Tube-Idler |
| 6 | 112-7055 | 1 | Idler Arm ASM |
| 6:1 | 1-513034 | 2 | Sleeve-Bearing |
| 6:2 | 302-5 | 1 | Fitting-Grease |
| 7 | 323-42 | 1 | Screw-HH |
| 8 | 323-6 | 1 | Screw-HH |
| 9 | 98-5975 | 1 | Washer-Belleville |
| 10 | 3256-24 | 1 | Washer-Flat |
| 11 | 1-413099 | 1 | Pulley-Idler |
| 12 | 105-8443 | 1 | Spring-Extension |
| 13 | 323-10 | 1 | Screw-HH |
| 14 | 3290-357 | 1 | Nut-HHF, Whiz |
| 15 | 32128-21 | 1 | Nut-HF |
| 16 | 112-7059-01 | 1 | Weight-Cast |
| 17 | 322-9 | 2 | Screw-HH |
| 18 | 3256-23 | 2 | Washer-Flat |
| 19 | 3296-29 | 2 | Nut-Lock, NI |

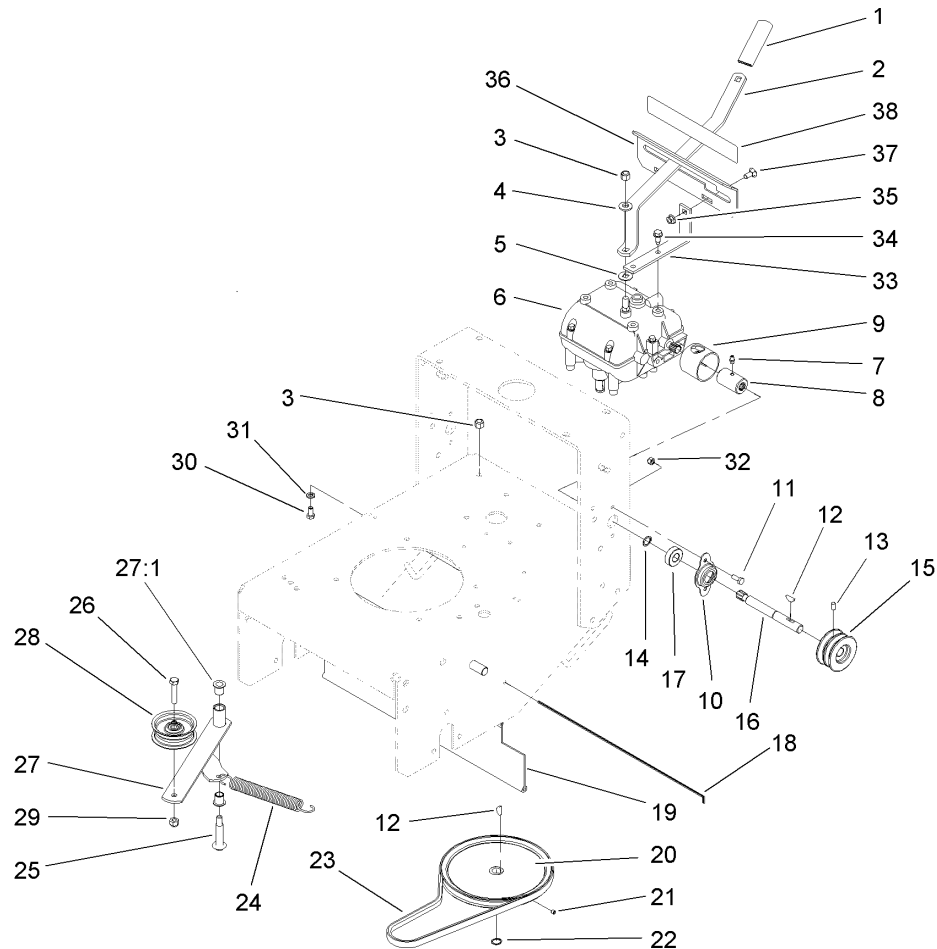
| | | | |
|--|--|--|--|
| | | | |
| | | | |
| | | | |
| | | | |



Fuel System Assembly

| Ref | Part No. | Qty. | Description |
|-----|-------------|------|------------------------|
| 1 | 88-3980 | 1 | Gas Cap ASM |
| 1:3 | 88-4010 | 1 | Gasket-Cap, Gas |
| 2 | 106-0730 | 1 | Fuel Tank ASM |
| 2:2 | 103-2605 | 1 | Fitting-Fuel, Bulkhead |
| 3 | 104-8121 | 2 | Stud-Threaded |
| 6 | 3256-23 | 4 | Washer-Flat |
| 7 | 1-633349 | 2 | Spring-Tank, Fuel |
| 8 | 3296-47 | 2 | Nut-Lock, NI |
| 9 | 110-4985-01 | 1 | Gear Frame ASM |
| 10 | 2412-98 | 4 | Clamp |
| 11 | 110-4894 | 1 | Hose-Fuel |
| 12 | 1-603770 | 1 | Valve-Fuel |
| 14 | 107-0588 | 1 | Hose-Fuel |
| 15 | 322-4 | 2 | Screw-HH |
| 16 | 3253-4 | 2 | Washer-Lock |
| 17 | 95-2814 | 1 | Decal-Shut Off, Fuel |
| 18 | 98-0776 | 1 | Decal-Caution |

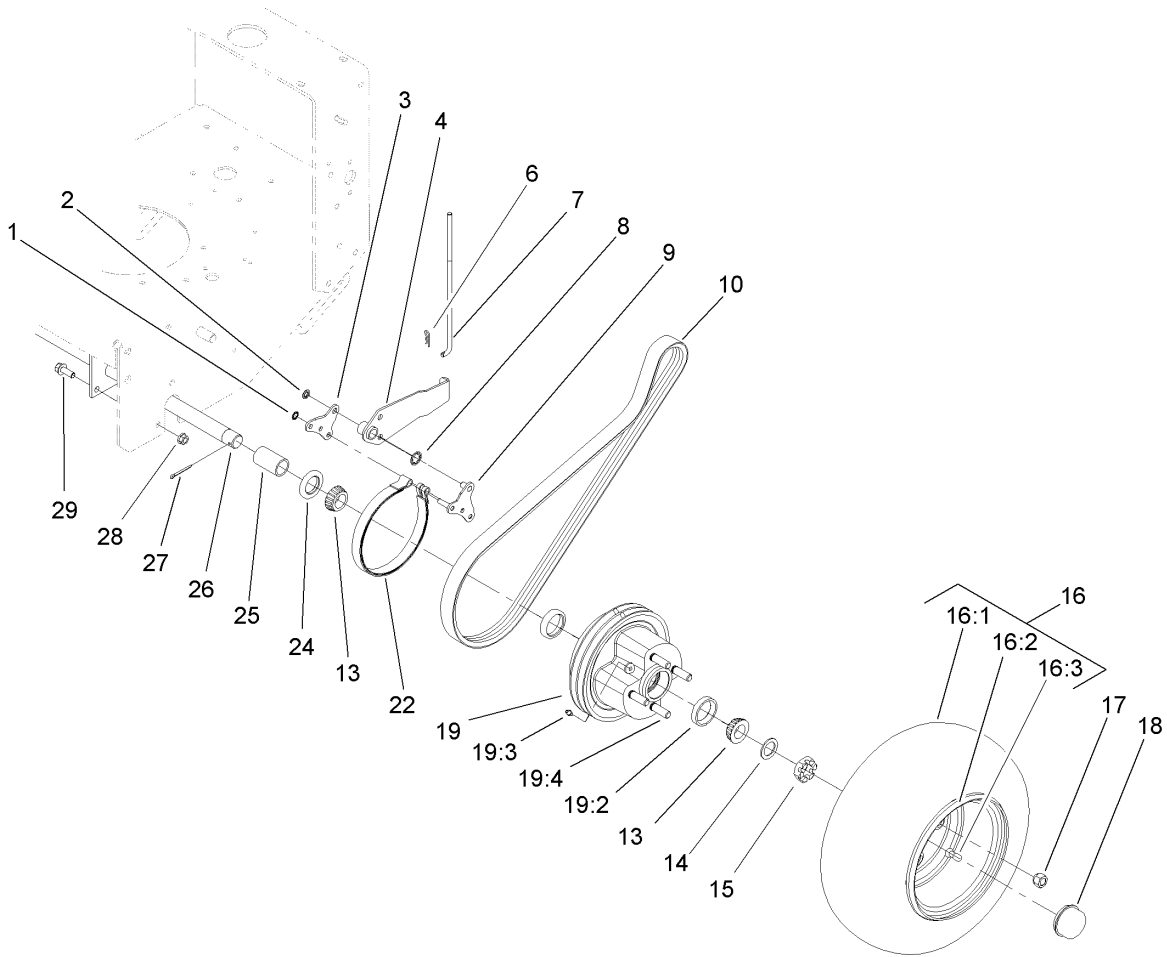
| | | | |
|--|--|--|--|
| | | | |
| | | | |
| | | | |
| | | | |



Transmission Drive Assembly

| Ref | Part No. | Qty. | Description |
|-----|------------|------|---------------------|
| 1 | 47-1970 | 1 | Grip |
| 2 | 98-3274-03 | 1 | Lever-Shift |
| 3 | 3296-6 | 2 | Nut-Lock |
| 4 | 98-5975 | 1 | Washer-Belleville |
| 5 | 1-323379 | 1 | Washer |
| 6 | 1-323500 | 1 | Transmission |
| 7 | 302-5 | 2 | Fitting-Grease |
| 8 | 1-323680 | 2 | Coupler |
| 9 | 51-4220 | 2 | Guard-Coupler |
| 10 | 1-323254 | 2 | Flange-Output |
| 11 | 321-4 | 4 | Screw-HH |
| 12 | 3257-5 | 3 | Key-Woodruff |
| 13 | 3245-9 | 2 | Screw-Set |
| 14 | 32151-62 | 2 | Ring-Retaining |
| 15 | 105-2698 | 2 | Pulley-Transmission |
| 16 | 104-1102 | 2 | Shaft-Output |
| 17 | 1-323252 | 2 | Bearing-Shaft |
| 18 | 95-1529 | 1 | Rod-Shield |
| 19 | 95-1526 | 1 | Shield-Trailing |
| 20 | 105-5646 | 1 | Pulley-Driven |
| 21 | 3245-1 | 1 | Screw-Set, HSH |
| 22 | 32120-64 | 1 | Ring-Snap, External |
| 23 | 105-5668 | 1 | V-Belt |
| 24 | 80-6610 | 1 | Spring-Extension |

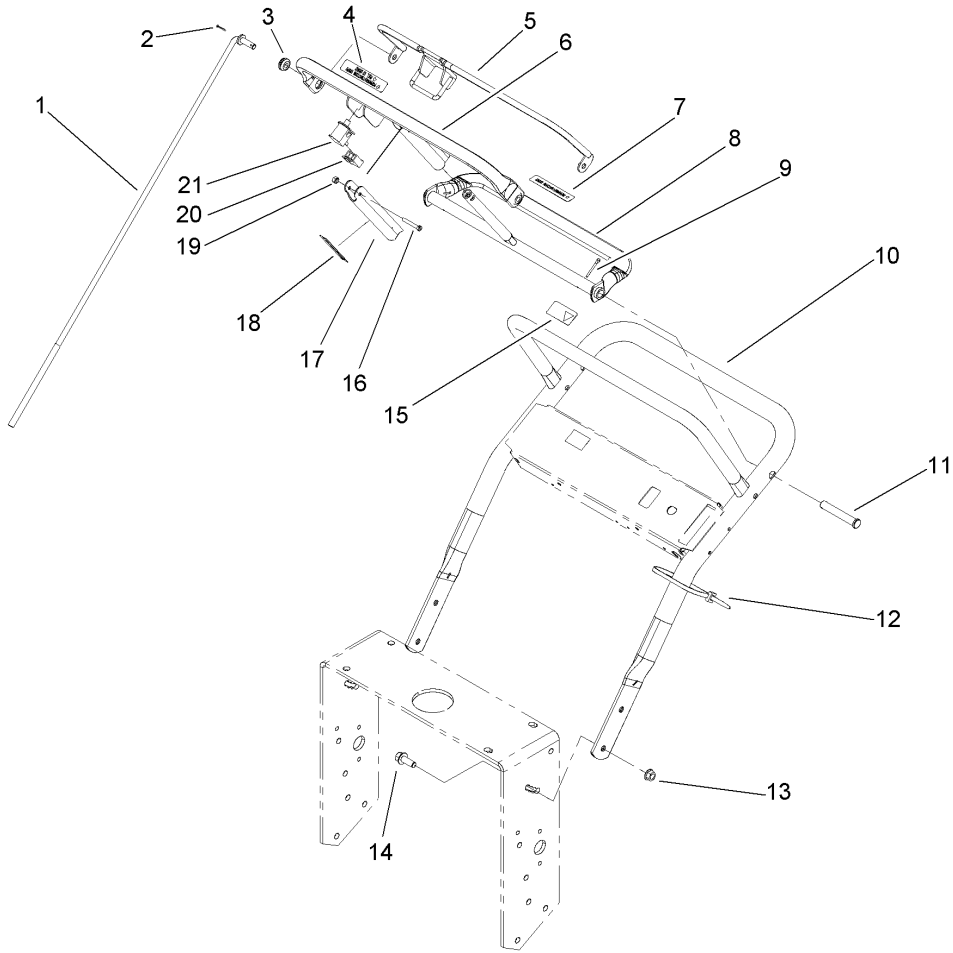
| Ref | Part No. | Qty. | Description |
|------|-------------|------|-----------------------|
| 25 | 27-6230 | 1 | Bolt-Wheel |
| 26 | 323-9 | 1 | Screw-HH |
| 27 | 16-7509 | 1 | Lever-Idler |
| 27:1 | 256-155 | 2 | Bushing-Flange |
| 28 | 62-4540 | 1 | Pulley |
| 29 | 3296-39 | 1 | Nut-Lock, NI |
| 30 | 322-2 | 4 | Screw-HH |
| 31 | 3253-4 | 4 | Washer-Lock |
| 32 | 3296-42 | 4 | Nut-Lock, NI |
| 33 | 1-323389-03 | 2 | Bracket-Plate, Shift |
| 34 | 9264964 | 4 | Screw-HWH, Thread Cut |
| 35 | 32128-20 | 2 | Nut-HF |
| 36 | 1-323387-03 | 1 | Plate-Shift |
| 37 | 3230-1 | 2 | Bolt-CARR |
| 38 | 98-3256 | 1 | Decal-Speed, Ground |



Wheel Drive and Brake Assembly

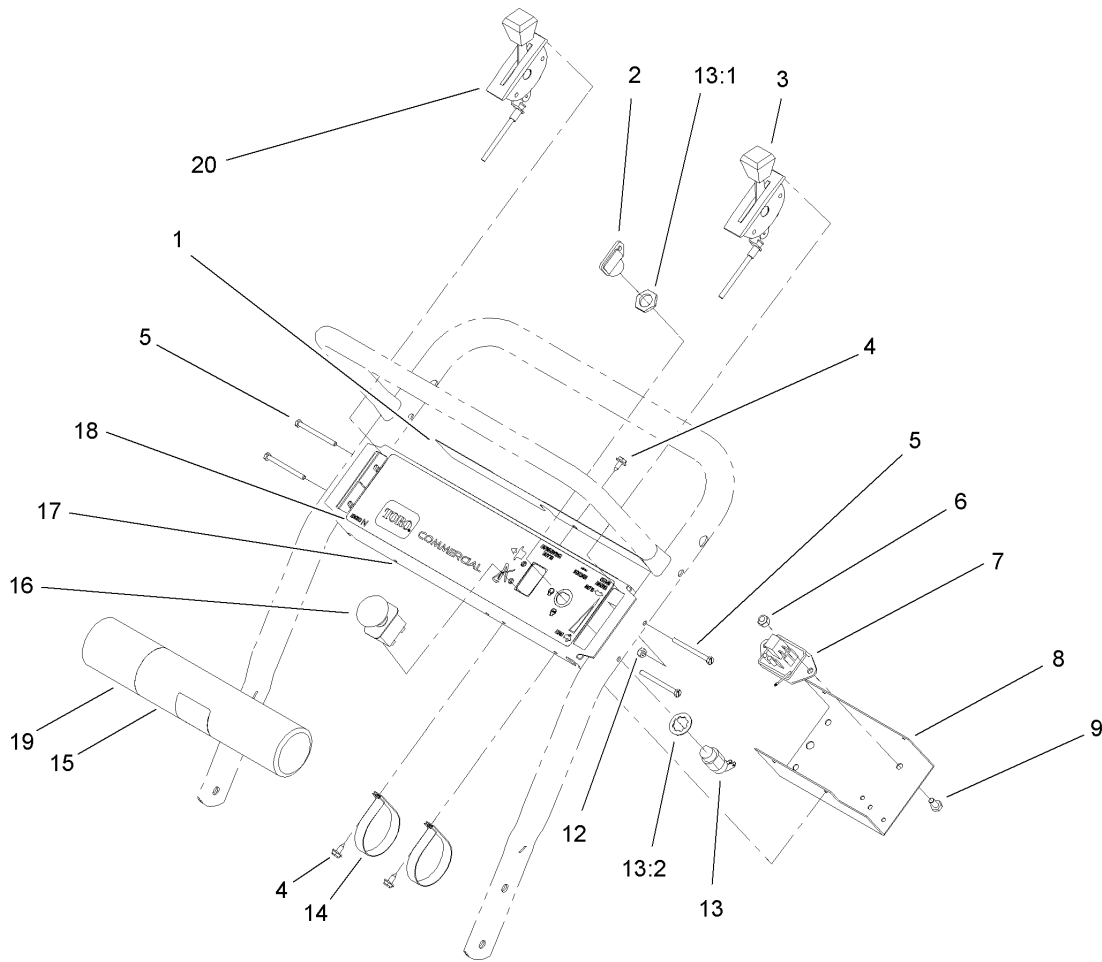
| Ref | Part No. | Qty. | Description |
|------|-------------|------|--------------------------|
| 1 | 32151-72 | 4 | Ring-Retaining |
| 2 | 32151-56 | 2 | Ring-Retaining, External |
| 3 | 106-8792 | 2 | Plate-Link, Brake |
| 4 | 110-5010-01 | 2 | Brake Arm ASM |
| 6 | 3290-307 | 2 | Pin-Hair |
| 7 | 108-2730 | 2 | Rod-Brake |
| 8 | 32151-40 | 2 | Ring-Retaining |
| 9 | 106-8773 | 2 | Brake Link ASM |
| 10 | 110-5004 | 2 | Belt-V, Banded |
| 13 | 1-543509 | 4 | Bearing-Roller, Tapered |
| 14 | 1-523157 | 2 | Washer-Spacer |
| 15 | 1-809082 | 2 | Nut-SHH |
| 16 | 106-0892 | 2 | Wheel And Tire ASM |
| 16:1 | 104-6322 | 1 | Tire |
| 16:2 | 106-0893 | 1 | Wheel |
| 16:3 | 232-27 | 1 | Stem-Valve |
| 17 | 242-50 | 8 | Nut-Lug |
| 18 | 241-119 | 2 | Cap-Dust |
| 19 | 107-4090 | 2 | Wheel Hub ASM |
| 19:2 | 1-543508 | 2 | Cup-Bearing |
| 19:3 | 302-5 | 1 | Fitting-Grease |
| 19:4 | 10-6830 | 4 | Stud-Type, Drive |
| 22 | 1-323262 | 2 | Band-Brake |
| 24 | 1-543511 | 2 | Seal-Grease |

| Ref | Part No. | Qty. | Description |
|-----|-------------|------|--------------|
| 25 | 110-5006 | 2 | Spacer-Wheel |
| 26 | 110-4983-01 | 1 | Axle ASM |
| 27 | 1-806800 | 2 | Pin-Cotter |
| 28 | 32128-21 | 6 | Nut-HF |
| 29 | 3234-11 | 6 | Screw-HHF |



Upper Handle Assembly

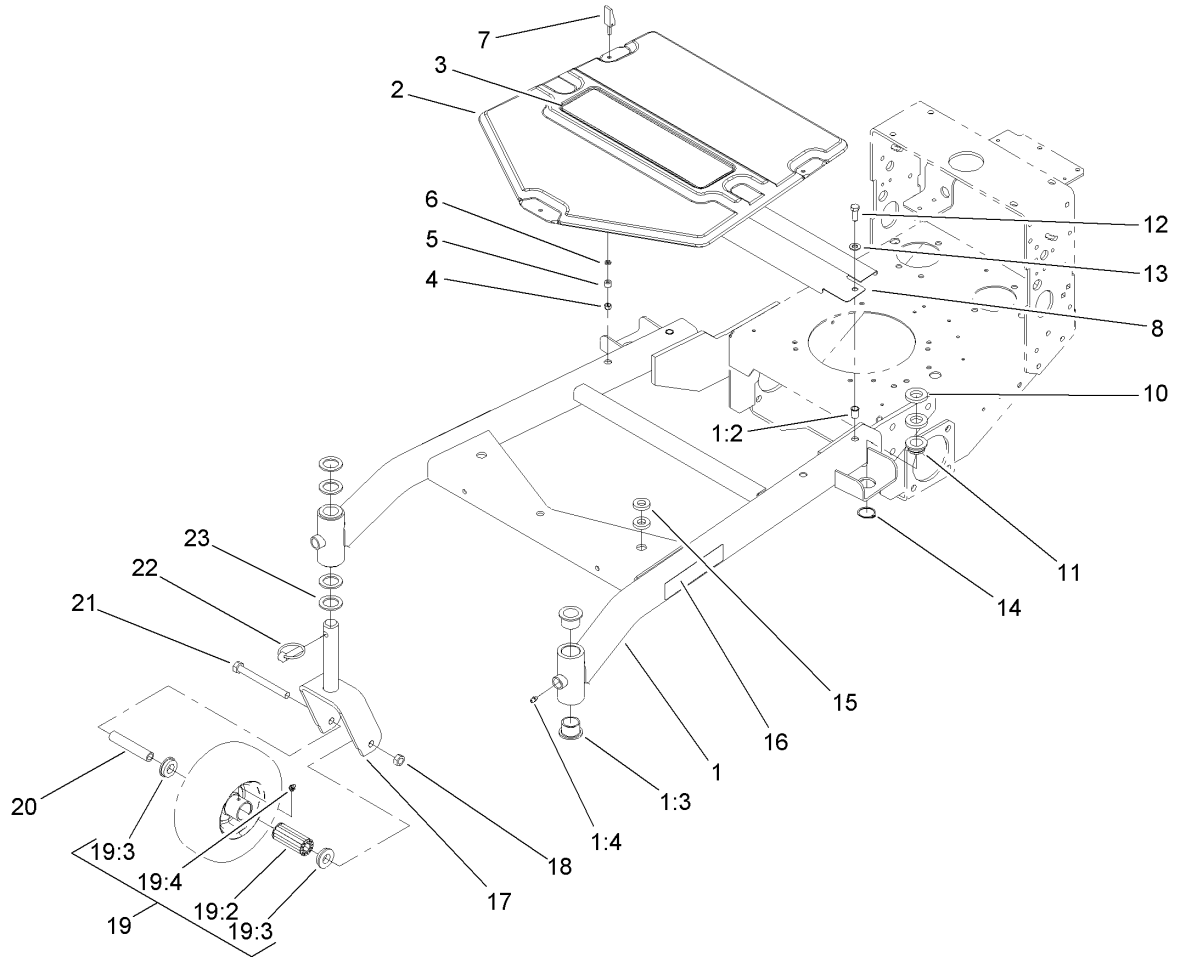
| Ref | Part No. | Qty. | Description | | | | |
|-----|-------------|------|-----------------------|--|--|--|--|
| 1 | 105-4677 | 2 | Rod-Control | | | | |
| 2 | 3272-4 | 2 | Pin-Cotter | | | | |
| 3 | 237-141 | 2 | Grommet-Rubber | | | | |
| 4 | 82-2290 | 1 | Decal | | | | |
| 5 | 82-7680-03 | 1 | Bail ASM | | | | |
| 6 | 82-7690-03 | 1 | Bar-Control | | | | |
| 7 | 82-2280 | 1 | Decal | | | | |
| 8 | 106-5477-03 | 1 | Control Pivot ASM | | | | |
| 9 | 3272-11 | 2 | Pin-Cotter | | | | |
| 10 | 105-3158-03 | 1 | Upper Handle ASM | | | | |
| 11 | 283-55 | 2 | Pin-Clevis | | | | |
| 12 | 3290-378 | 2 | Tie-Cable | | | | |
| 13 | 32128-21 | 4 | Nut-HF | | | | |
| 14 | 3234-11 | 4 | Screw-HHF | | | | |
| 15 | 98-4387 | 1 | Decal-Protection, Ear | | | | |
| 16 | 32105-1 | 1 | Screw-SHH | | | | |
| 17 | 51-4850-03 | 1 | Lever-Brake, Parking | | | | |
| 18 | 52-2010 | 1 | Decal-Lever, Parking | | | | |
| 19 | 3296-2 | 1 | Nut-Lock, NI | | | | |
| 20 | 218-595 | 1 | Connector-Body | | | | |
| 21 | 82-2190 | 1 | Switch-Bail | | | | |



Control Panel Assembly

| Ref | Part No. | Qty. | Description |
|------|-------------|------|---------------------|
| 1 | 105-0884 | 1 | Decal-Danger |
| 2 | 63-8360 | 1 | Key-Ignition |
| 3 | 110-4994 | 1 | Cable-Throttle |
| 4 | 32104-76 | 4 | Screw |
| 5 | 32105-14 | 4 | Screw-SHH |
| 6 | 3296-42 | 1 | Nut-Lock, NI |
| 7 | 104-8141 | 1 | Module-Delay |
| 8 | 93-1187-03 | 1 | Panel-Bottom |
| 9 | 321-2 | 1 | Screw-HH |
| 12 | 3296-2 | 4 | Nut-Lock, NI |
| 13 | 29-5560 | 1 | Switch-On / Off |
| 13:1 | 218-461 | 1 | Nut-HH |
| 13:2 | 3254-5 | 1 | Washer-Tooth |
| 14 | 2412-120 | 2 | R-Clamp |
| 15 | 104-7050 | 1 | Housing-Manual |
| 16 | 104-8140 | 1 | Switch-PTO |
| 17 | 110-4982-03 | 1 | Panel-Control |
| 18 | 110-4971 | 1 | Decal-Control Panel |
| 19 | 104-7048 | 1 | Cap-Housing |
| 20 | 110-4995 | 1 | Cable-Choke |

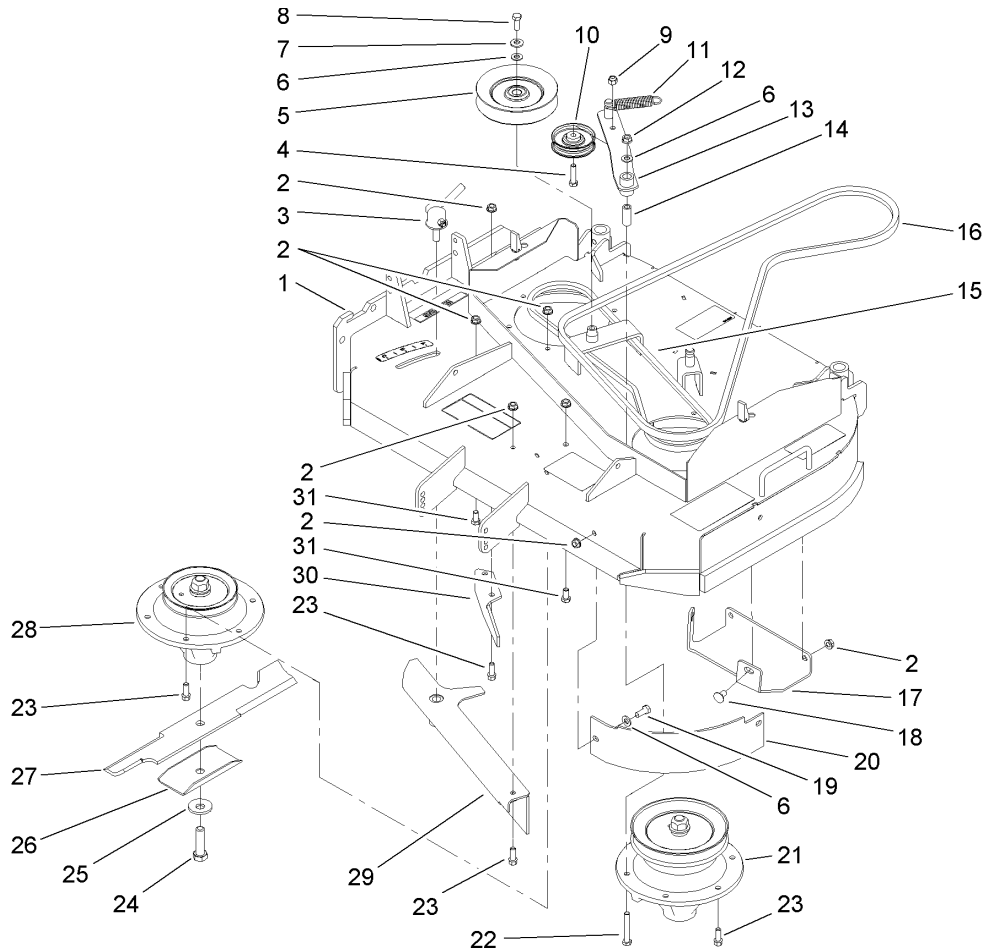
| | | | |
|--|--|--|--|
| | | | |
| | | | |
| | | | |
| | | | |



Carrier Frame Assembly

| Ref | Part No. | Qty. | Description |
|------|-------------|------|----------------------|
| 1 | 110-6960 | 1 | Carrier Frame ASM |
| 1:2 | 32148-9 | 2 | Insert-Nut |
| 1:3 | 94-1291 | 4 | Bushing |
| 1:4 | 302-5 | 2 | Fitting-Grease |
| 2 | 110-6970 | 1 | Cover-Frame, Carrier |
| 3 | 112-9710 | 1 | Decal |
| 4 | 1-804254 | 3 | Nut |
| 5 | 106-6778 | 3 | Bushing-Latch, Swell |
| 6 | 99-3058 | 3 | Washer |
| 7 | 106-6777 | 3 | Handle-Latch, Swell |
| 8 | 110-6971-01 | 1 | Shield-Belt |
| 10 | 104-1105 | 4 | Spacer-Support, Deck |
| 11 | 1-513336 | 2 | Bushing-Deck |
| 12 | 323-6 | 2 | Screw-HH |
| 13 | 3256-24 | 2 | Washer-Flat |
| 14 | 32120-33 | 2 | Ring-Retaining |
| 15 | 1-323539 | 4 | Spacer |
| 16 | 106-0635 | 2 | Decal-HOC |
| 17 | 105-3159-01 | 2 | Castor Fork ASM |
| 18 | 32153-5 | 2 | Nut-Lock, Side |
| 19 | 110-5024 | 2 | Wheel And Tire ASM |
| 19:2 | 112-7066 | 1 | Bearing-Roller |
| 19:3 | 1-513810 | 2 | Bushing |
| 19:4 | 302-61 | 1 | Zerk |

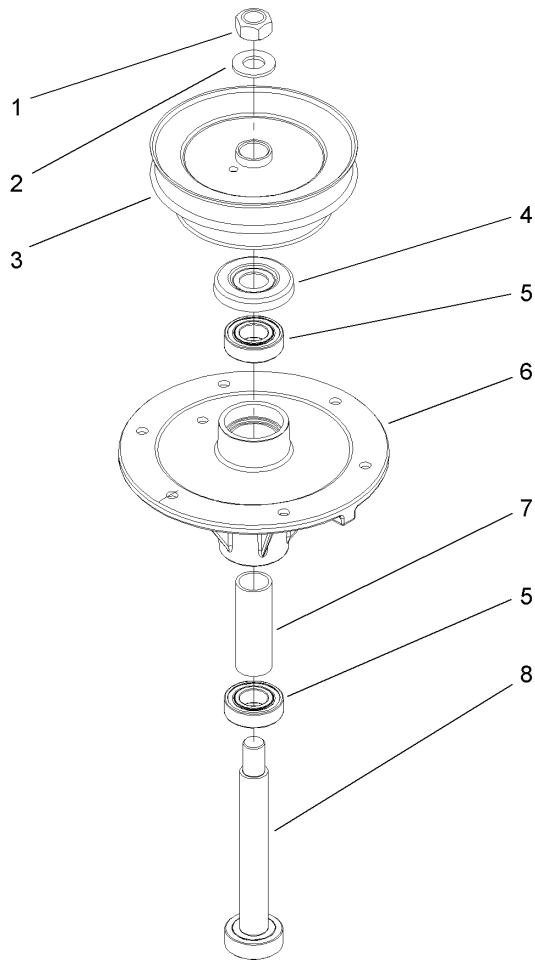
| Ref | Part No. | Qty. | Description |
|-----|----------|------|-----------------|
| 20 | 100-6453 | 2 | Bushing-Spanner |
| 21 | 325-19 | 2 | Screw-HH |
| 22 | 283-71 | 2 | Pin-Lynch |
| 23 | 3-6781 | 8 | Washer-Thrust |



Deck Drive and Baffle Assembly

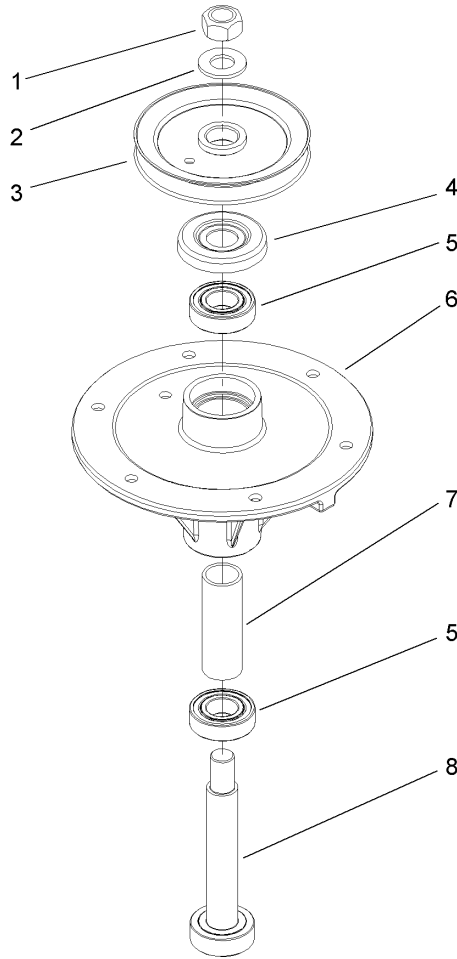
| Ref | Part No. | Qty. | Description |
|-----|-------------|------|---------------------|
| 1 | 112-7080 | 1 | Deck ASM |
| 2 | 3290-357 | 22 | Nut-HHF, Whiz |
| 3 | 107-1664 | 1 | Lever ASM |
| 4 | 323-8 | 1 | Screw-HH |
| 5 | 1-633166 | 1 | Pulley-Idler |
| 6 | 3256-24 | 4 | Washer-Flat |
| 7 | 98-5975 | 1 | Washer-Belleville |
| 8 | 323-6 | 1 | Screw-HH |
| 9 | 3296-39 | 1 | Nut-Lock, NI |
| 10 | 51-3660 | 1 | Pulley-Idler |
| 11 | 105-2673 | 1 | Spring-Extension |
| 12 | 32128-21 | 1 | Nut-HF |
| 13 | 105-0889 | 1 | Idler Arm ASM |
| 14 | 51-3641 | 1 | Sleeve-Pivot, Idler |
| 15 | 110-6953 | 1 | Belt-V |
| 16 | 110-6954 | 1 | Belt-V |
| 17 | 110-2037-01 | 1 | Plate-Skid |
| 18 | 3231-1 | 4 | Screw-CARR |
| 19 | 323-5 | 2 | Screw-HH |
| 20 | 110-6903-03 | 1 | Baffle-Front, LH |
| 21 | 110-0730 | 1 | Spindle ASM |
| 22 | 323-12 | 1 | Screw-HH |
| 23 | 92-1624 | 14 | Screw-HWH |
| 24 | 51-4060 | 2 | Screw-Blade |

| Ref | Part No. | Qty. | Description |
|-----|-------------|------|--------------------------|
| 25 | 103-0865 | 2 | Washer-Blade Bolt, Heavy |
| 26 | 108-2727 | 2 | Stiffener-Blade |
| 27 | 105-7781-03 | 2 | Blade-18 Inch (Hi Flow) |
| 28 | 110-0728 | 1 | Spindle ASM |
| 29 | 110-6955-03 | 1 | Adjust Baffle ASM |
| 30 | 110-0754-01 | 1 | Baffle-Discharge |
| 31 | 323-4 | 2 | Screw-HH |



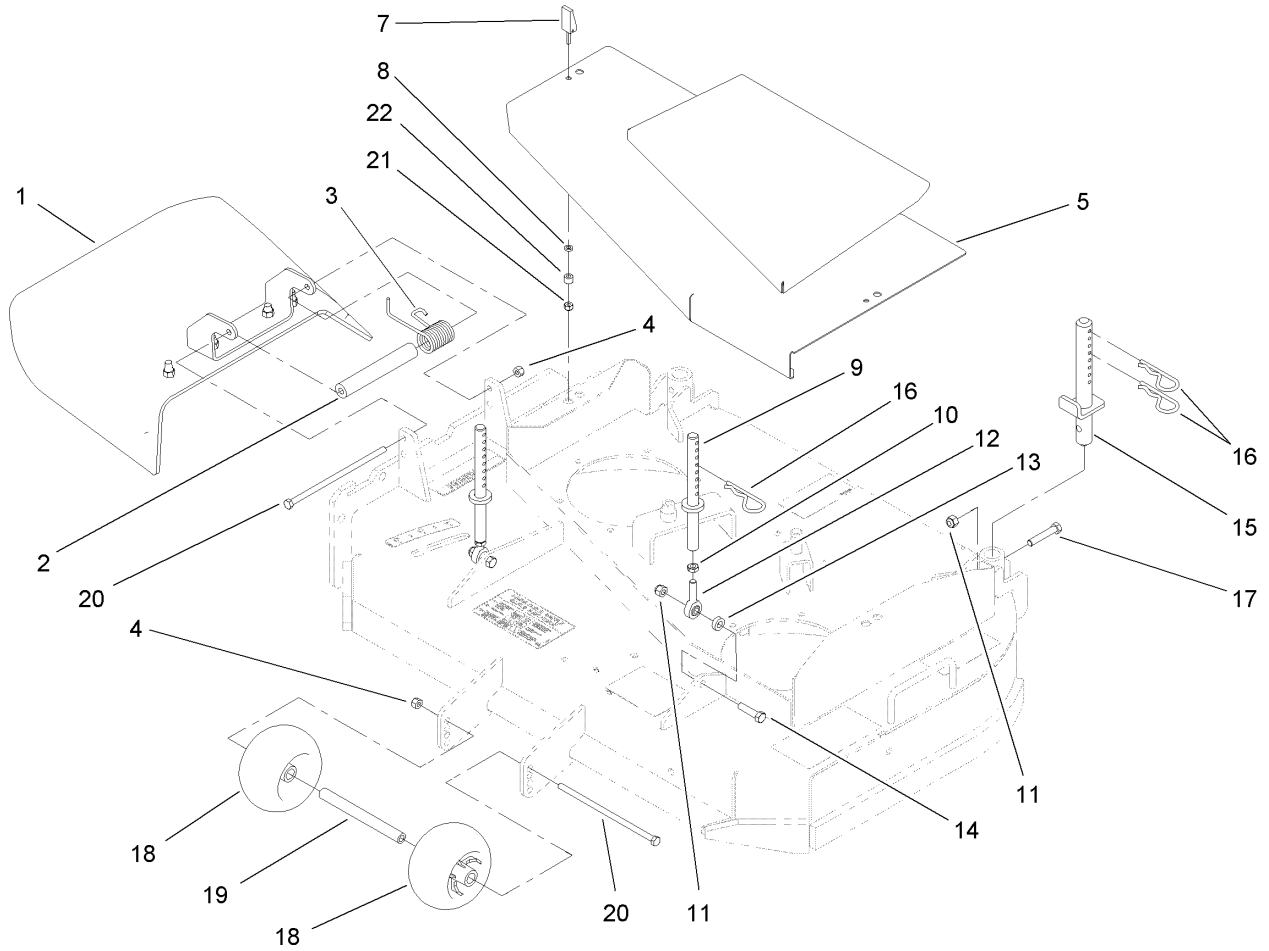
Spindle Assembly No. 110-0730

| Ref | Part No. | Qty. | Description | | | | |
|-----|----------|------|--------------------|--|--|--|--|
| 1 | 3219-7 | 1 | Nut-Hex | | | | |
| 2 | 7-4150 | 1 | Washer | | | | |
| 3 | 108-6627 | 1 | Pulley And Hub ASM | | | | |
| 4 | 106-0873 | 1 | Shield-Bearing | | | | |
| 5 | 104-6325 | 2 | Bearing-Ball | | | | |
| 6 | 108-6696 | 1 | Housing-Spindle | | | | |
| 7 | 110-0727 | 1 | Spacer-Bearing | | | | |
| 8 | 110-0725 | 1 | Shaft-Spindle | | | | |



Spindle Assembly No. 110-0728

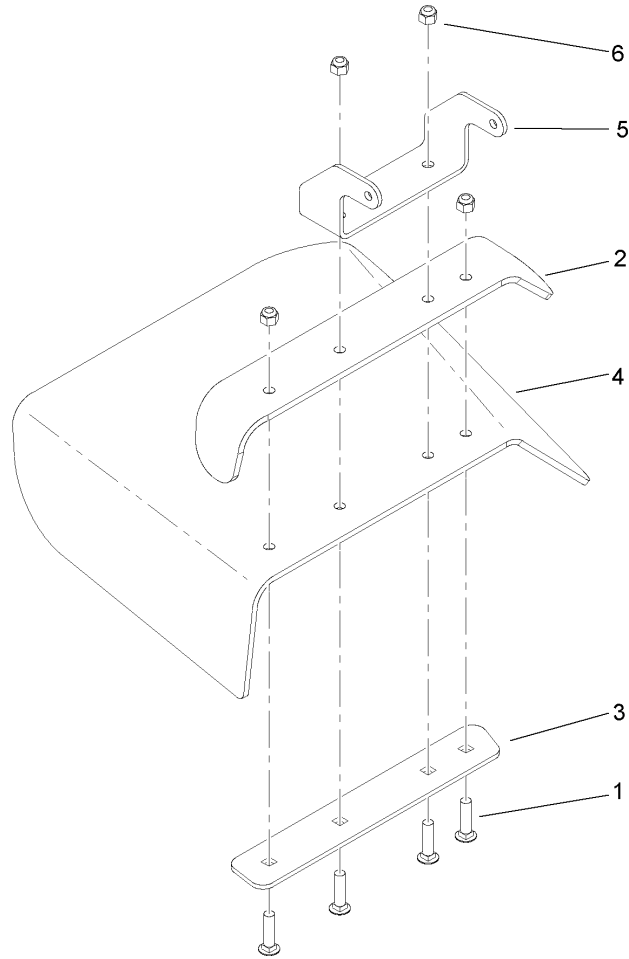
| Ref | Part No. | Qty. | Description | | | | |
|-----|----------|------|-----------------|--|--|--|--|
| 1 | 3219-7 | 1 | Nut-Hex | | | | |
| 2 | 7-4150 | 1 | Washer | | | | |
| 3 | 104-1181 | 1 | Pulley ASM | | | | |
| 4 | 106-0873 | 1 | Shield-Bearing | | | | |
| 5 | 104-6325 | 2 | Bearing-Ball | | | | |
| 6 | 108-6696 | 1 | Housing-Spindle | | | | |
| 7 | 110-0727 | 1 | Spacer-Bearing | | | | |
| 8 | 110-0726 | 1 | Shaft-Spindle | | | | |



Outer Deck Assembly

| Ref | Part No. | Qty. | Description |
|-----|-------------|------|----------------------|
| 1 | 110-0790 | 1 | Deflector ASM |
| 2 | 105-4622 | 1 | Spacer |
| 3 | 104-8554 | 1 | Spring-Torsion |
| 4 | 3296-29 | 2 | Nut-Lock, NI |
| 5 | 110-6964-01 | 1 | Cover ASM |
| 7 | 106-6777 | 2 | Handle-Latch, Swell |
| 8 | 99-3058 | 2 | Washer |
| 9 | 108-2674 | 2 | Front Pin ASM |
| 10 | 3220-3 | 2 | Nut-HJ |
| 11 | 3296-39 | 4 | Nut-Lock, NI |
| 12 | 1-613204 | 2 | Balljoint |
| 13 | 104-1156 | 2 | Spacer |
| 14 | 323-8 | 2 | Screw-HH |
| 15 | 110-2086 | 2 | Rear Pin ASM |
| 16 | 3290-256 | 6 | Pin-Hair |
| 17 | 323-10 | 2 | Screw-HH |
| 18 | 1-603299 | 2 | Roller-Scalp, Anti |
| 19 | 98-5967 | 1 | Spacer-Wheel |
| 20 | 322-50 | 2 | Screw-HH |
| 21 | 1-804254 | 2 | Nut |
| 22 | 106-6778 | 2 | Bushing-Latch, Swell |

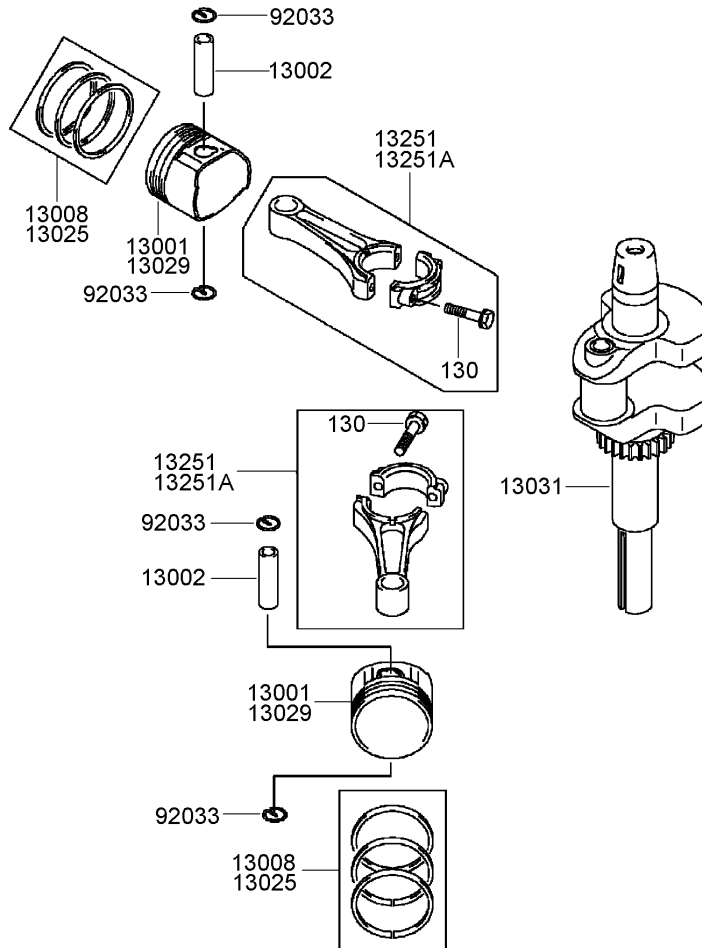
| | | | |
|--|--|--|--|
| | | | |
|--|--|--|--|



Deflector Assembly No. 110-0790

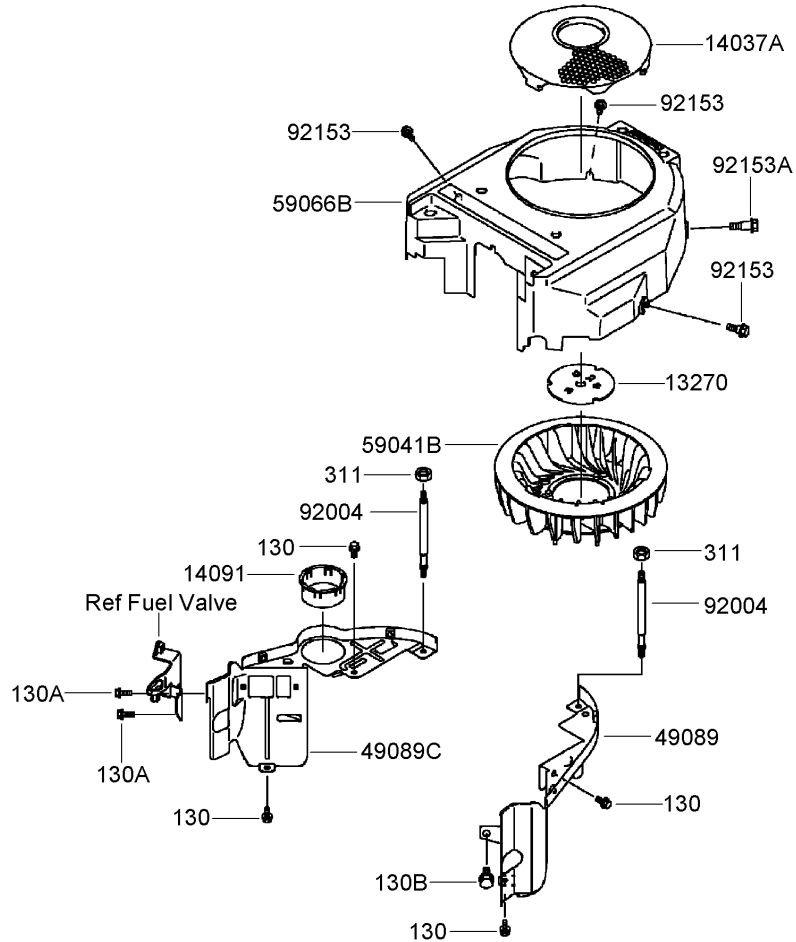
| Ref | Part No. | Qty. | Description |
|-----|-------------|------|-----------------------------|
| 1 | 3231-4 | 4 | Screw-CARR |
| 2 | 110-0792-01 | 1 | Deflector |
| 3 | 110-0793-03 | 1 | Strap-Discharge |
| 4 | 110-0791 | 1 | Deflector-Rubber |
| 5 | 107-4164-01 | 1 | Bracket-Mounting, Deflector |
| 6 | 3296-39 | 4 | Nut-Lock, NI |

| | | | |
|--|--|--|--|
| | | | |
|--|--|--|--|



Piston and Crankshaft Assembly Kawasaki FH430V-DS28

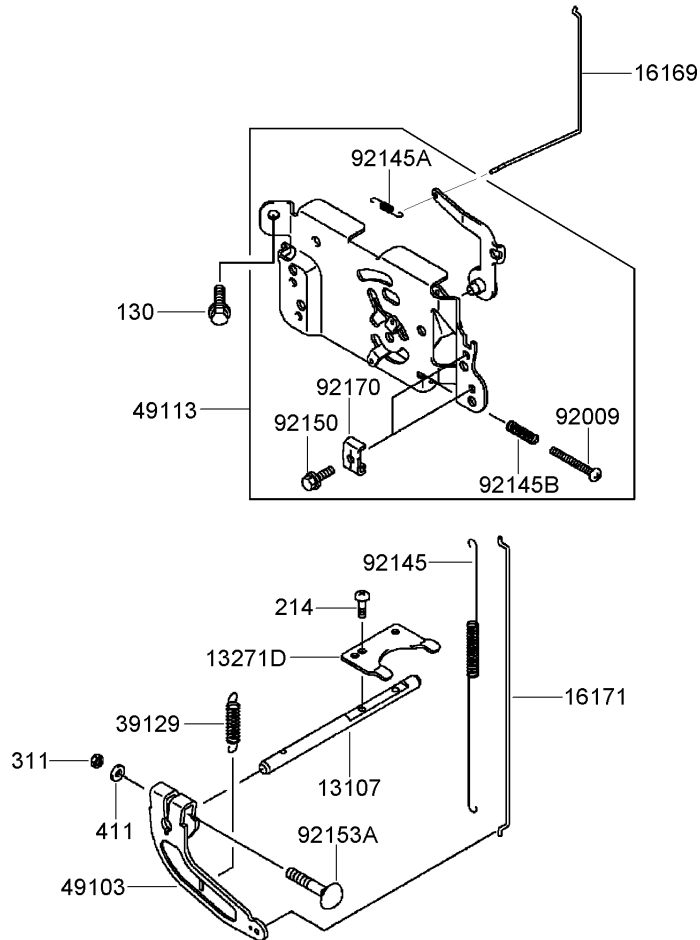
| Ref | Part No. | Qty. | Description | | | | |
|----------|------------|------|---------------------------|--|--|--|--|
| ② 13001 | 13001-7009 | 2 | Piston-Engine | | | | |
| ② 13002 | 13002-7001 | 2 | Pin-Piston | | | | |
| ② 13008 | 13008-7001 | 2 | Piston Ring Set | | | | |
| ② 13025 | 13025-7003 | 1 | Piston Ring Set (L 0.50) | | | | |
| ② 13029 | 13029-7005 | 1 | Piston-Engine (L 0.50) | | | | |
| ② 13031 | 13031-7033 | 1 | Crankshaft | | | | |
| ② 13251 | 13251-7007 | 2 | Connecting Rod ASM | | | | |
| ② 13251A | 13251-7008 | 2 | Connecting Rod ASM (0.50) | | | | |
| ② 92033 | 92033-7005 | 4 | Ring-Snap | | | | |
| ② 130 | 130G0630 | 4 | Bolt-Flanged (6X30) | | | | |



Cooling Equipment Assembly Kawasaki FH430V-DS28

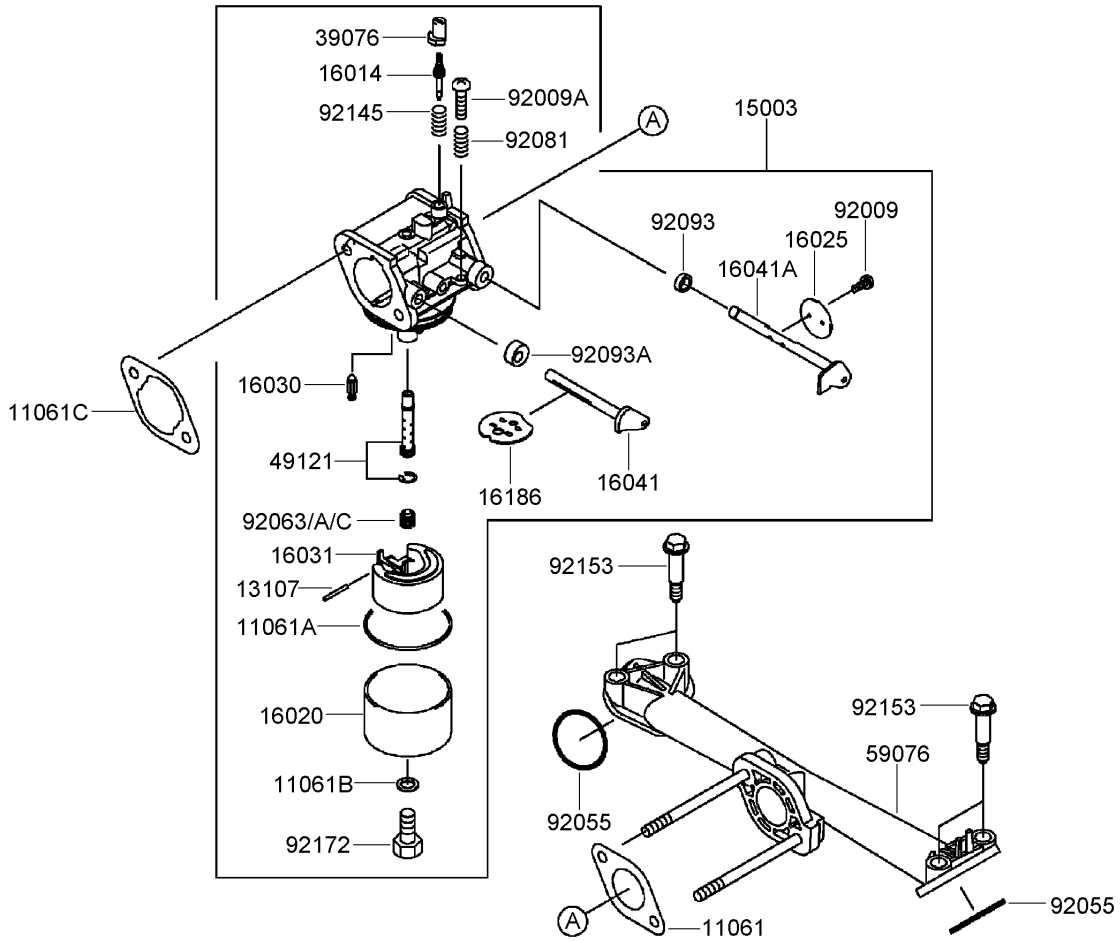
| Ref | Part No. | Qty. | Description |
|----------|---------------|------|---------------------|
| ② 13270 | 13270-7007 | 1 | Plate |
| ② 14037A | 14037-7025-9H | 1 | Screen |
| ② 14091 | 14091-7009 | 1 | Cover |
| ② 49089 | 49089-7044 | 1 | Shroud-Engine |
| ② 49089C | 49089-7061 | 1 | Shroud-Engine |
| ② 59041B | 59041-7012 | 1 | Fan |
| ② 59066B | 59066-7036 | 1 | Housing-Fan |
| ② 92004 | 92004-7007 | 2 | Stud |
| ② 92153 | 92153-7007 | 3 | Bolt |
| ② 92153A | 92153-7008 | 1 | Bolt |
| ② 130 | 130B0612 | 4 | Bolt-Flanged (6X12) |
| ② 130A | 130B0616 | 2 | Bolt-Flanged (6X16) |
| ② 130B | 130B0816 | 1 | Bolt-Flanged (8X16) |
| ② 311 | 311F0600 | 2 | Nut-Hex (6Mm) |

| | | | |
|--|--|--|--|
| | | | |
|--|--|--|--|



Control Equipment Assembly Kawasaki FH430V-DS28

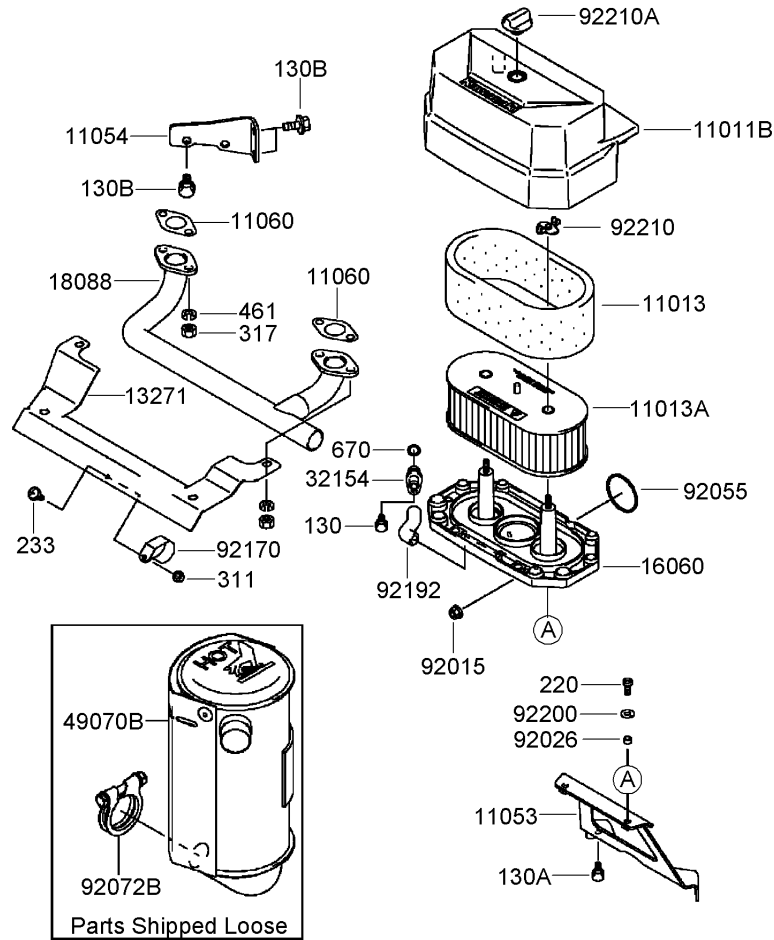
| Ref | Part No. | Qty. | Description |
|---------|------------|------|---------------------|
| ②13107 | 13107-7010 | 1 | Shaft |
| ②13271D | 13271-7032 | 1 | Plate |
| ②16169 | 16169-7012 | 1 | Link-Choke |
| ②16171 | 16171-7007 | 1 | Link |
| ②39129 | 39129-7003 | 1 | Spring-Governor |
| ②49103 | 49103-7004 | 1 | Arm-Governor |
| ②49113 | 49113-7024 | 1 | Panel-Control |
| ②92009 | 92009-7007 | 1 | Screw (4X35) |
| ②92145 | 92145-7003 | 1 | Spring |
| ②92145A | 92145-7004 | 1 | Spring |
| ②92145B | 92145-7005 | 1 | Spring |
| ②92150 | 92150-2182 | 1 | Bolt (5X18) |
| ②92153A | 92153-7033 | 1 | Bolt (6X35) |
| ②92170 | 92170-7001 | 1 | Clamp |
| ②130 | 130B0612 | 2 | Bolt-Flanged (6X12) |
| ②214 | 214B0408 | 2 | Screw-Pan (4X8) |
| ②311 | 311B0600 | 1 | Nut-Hex (6Mm) |
| ②411 | 411B0600 | 1 | Washer-Plain (6Mm) |



Carburetor Assembly Kawasaki FH430V-DS28

| Ref | Part No. | Qty. | Description |
|----------|------------|------|----------------------------|
| ② 11061 | 11061-7004 | 1 | Gasket-Insulator |
| ② 11061A | 11061-7009 | 1 | Gasket-Chamber |
| ② 11061B | 11061-7010 | 1 | Gasket-Screw |
| ② 11061C | 11061-7018 | 1 | Gasket-Cleaner, Air |
| ② 13107 | 13107-7018 | 1 | Shaft |
| ② 15003 | 15003-7061 | 1 | Carburetor ASM |
| ② 16014 | 16014-7002 | 1 | Screw-Pilot, Air |
| ② 16020 | 16020-7003 | 1 | Chamber-Float |
| ② 16025 | 16025-7006 | 1 | Valve-Throttle |
| ② 16030 | 16030-7003 | 1 | Valve-Float |
| ② 16031 | 16031-7002 | 1 | Float |
| ② 16041 | 16041-7016 | 1 | Shaft-Choke, Carburetor |
| ② 16041A | 16041-7018 | 1 | Shaft-Throttle, Carburetor |
| ② 16186 | 16186-7002 | 1 | Choke Valve ASM |
| ② 39076 | 39076-7001 | 1 | Limiter |
| ② 49121 | 49121-7001 | 1 | Nozzle-Main |
| ② 59076 | 59076-7005 | 1 | Manifold-Intake |
| ② 92009 | 92009-2083 | 2 | Screw |
| ② 92009A | 92009-2349 | 1 | Screw |
| ② 92055 | 92055-7007 | 2 | O-Ring (I D 31) |
| ② 92063 | 92063-7026 | 1 | Jet-Main, No. 88 |
| ② 92063A | 92063-7028 | 1 | Jet-Main, No. 85 (3280 Ft) |
| ② 92063C | 92063-7029 | 1 | Jet-Main, No.82 (6560 Ft) |
| ② 92081 | 92081-2234 | 1 | Spring |

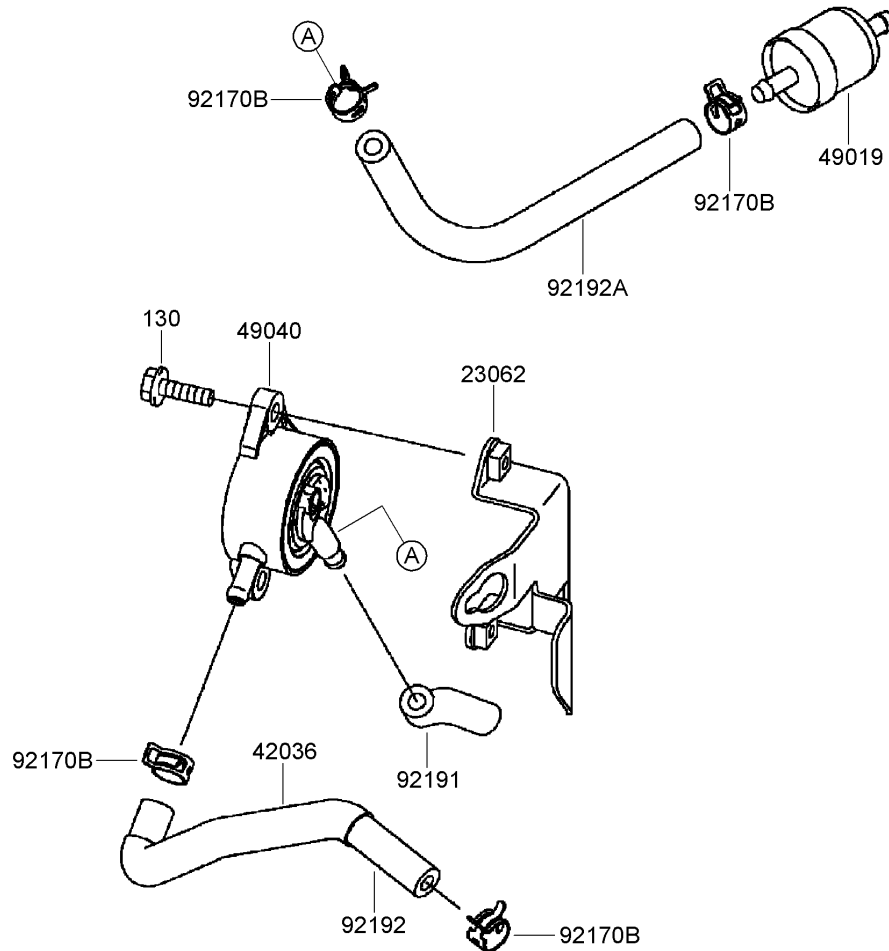
| Ref | Part No. | Qty. | Description |
|----------|------------|------|-------------|
| ② 92093 | 92093-2100 | 1 | Seal |
| ② 92093A | 92093-7003 | 1 | Seal |
| ② 92145 | 92145-7015 | 1 | Spring |
| ② 92153 | 92153-7009 | 4 | Bolt |
| ② 92172 | 92172-7002 | 1 | Screw |



Air Filter and Muffler Assembly Kawasaki FH430V-DS28

| Ref | Part No. | Qty. | Description |
|---------|---------------|------|---------------------|
| ②11011B | 11011-7045 | 1 | Case-Filter, Air |
| ②11013 | 11013-7025 | 1 | Element-Filter, Air |
| ②11013A | 11013-7031 | 1 | Element-Filter, Air |
| ②11053 | 11053-7022 | 1 | Bracket |
| ②11054 | 11054-7002-9H | 1 | Bracket |
| ②11060 | 11060-7021 | 2 | Gasket-Muffler |
| ②13271 | 13271-7022 | 1 | Plate |
| ②16060 | 16060-7016 | 1 | Pipe-Intake |
| ②18088 | 18088-7001 | 1 | Pipe-Exhaust |
| ②32154 | 32154-7006 | 1 | Pipe |
| ②49070B | 49070-7021 | 1 | Muffler |
| ②92015 | 92015-1193 | 2 | Nut |
| ②92026 | 92026-7001 | 2 | Spacer (6.2X7.9X5) |
| ②92055 | 92055-7015 | 1 | O-Ring |
| ②92072B | 92072-7012 | 1 | Band |
| ②92170 | 92170-7002 | 1 | Clamp |
| ②92192 | 92192-7010 | 1 | Tube |
| ②92200 | 92200-2070 | 2 | Washer |
| ②92210 | 92210-7004 | 2 | Nut (M6) |
| ②92210A | 92210-7019 | 1 | Nut |
| ②130 | 130B0610 | 1 | Bolt-Flanged (6X10) |
| ②130A | 130B0612 | 2 | Bolt-Flanged (6X12) |
| ②130B | 130B0816 | 3 | Bolt-Flanged (8X16) |

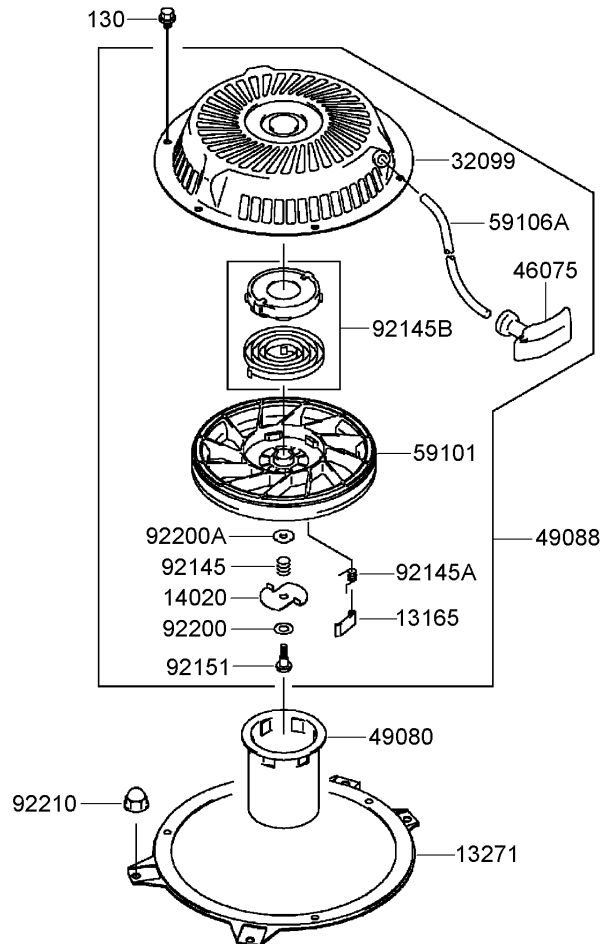
| Ref | Part No. | Qty. | Description |
|------|----------|------|-------------------------|
| ②220 | 220B0614 | 2 | Screw-Pan, Cross (6X14) |
| ②233 | 233B0416 | 1 | Screw (4X16) |
| ②311 | 311B0400 | 1 | Nut-Hex (4Mm) |
| ②317 | 317R0800 | 4 | Nut-Hex, Small (8Mm) |
| ②461 | 461F0800 | 4 | Washer-Spring (8Mm) |
| ②670 | 670B2010 | 1 | O-Ring (10Mm) |



Fuel Tank and Valve Assembly Kawasaki FH430V-DS28

| Ref | Part No. | Qty. | Description |
|----------|---------------|------|----------------------|
| ② 23062 | 23062-7004-9H | 1 | Bracket |
| ② 42036 | 42036-7012 | 1 | Sleeve |
| ② 49019 | 49019-7001 | 1 | Filter-Fuel |
| ② 49040 | 49040-7001 | 1 | Pump-Fuel |
| ② 92170B | 92170-2088 | 4 | Clamp |
| ② 92191 | 92191-7002 | 1 | Tube |
| ② 92192 | 92192-7035 | 1 | Tube (6.35X12.7X170) |
| ② 92192A | 92192-7037 | 1 | Tube (6.35X12.7X160) |
| ② 130 | 130B0620 | 2 | Bolt-Flanged (6X20) |

| | | | |
|--|--|--|--|
| | | | |
|--|--|--|--|



Starter Assembly Kawasaki FH430V-DS28

| Ref | Part No. | Qty. | Description | | | | |
|----------|---------------|------|----------------------|--|--|--|--|
| ② 13165 | 13165-7001 | 2 | Pawl-Starter, Recoil | | | | |
| ② 13271 | 13271-7003-9H | 1 | Plate | | | | |
| ② 14020 | 14020-7001 | 1 | Retainer | | | | |
| ② 32099 | 32099-7002 | 1 | Case-Starter, Recoil | | | | |
| ② 46075 | 46075-7001 | 1 | Grip-Starter, Recoil | | | | |
| ② 49080 | 49080-7001 | 1 | Pulley-Starting | | | | |
| ② 49088 | 49088-7013 | 1 | Starter-Recoil | | | | |
| ② 59101 | 59101-7001 | 1 | Reel-Starter, Recoil | | | | |
| ② 59106A | 59106-7005 | 1 | Rope | | | | |
| ② 92145 | 92145-7006 | 1 | Spring | | | | |
| ② 92145A | 92145-7007 | 2 | Spring | | | | |
| ② 92145B | 92145-7008 | 1 | Spring | | | | |
| ② 92151 | 92151-7008 | 1 | Bolt | | | | |
| ② 92200 | 92200-7004 | 1 | Washer | | | | |
| ② 92200A | 92200-7005 | 1 | Washer | | | | |
| ② 92210 | 92210-0003 | 4 | Nut | | | | |
| ② 130 | 130B0608 | 3 | Bolt-Flanged (6X8) | | | | |

56033



56070



56080



56080A



**Label Assembly
Kawasaki FH430V-DS28**

| Ref | Part No. | Qty. | Description |
|---------|------------|------|---------------|
| ②56033 | 56033-7001 | 1 | Label-Manual |
| ②56070 | 56070-7001 | 1 | Label-Warning |
| ②56080 | 56080-2077 | 1 | Label-Brand |
| ②56080A | 56080-7024 | 1 | Label-Brand |

Attachments and Accessories

For 30094 - Commercial Walk-Behind Mower, Floating Deck T-Bar Gear with 36in TURBO FORCE Cutting Unit

| Product Name | Model/Part |
|---|-------------|
| Blade-Recycler, 18 Inch | 105-7779-03 |
| Blade-Med Flow, 18 Inch | 105-7794-03 |
| Blade-Low Flow, 18 Inch | 105-7795-03 |
| Blade-Atomic, 18 Inch | 105-7796-03 |
| Blade-Hi-Flow, 18 Inch (6 Pack) | 108-1117 |
| Blade-Atomic, 18 Inch (6 Pack) | 108-1118 |
| Blade-Lo-Flow, 18 Inch (6 Pack) | 110-0406 |
| Blade-Recycler, 18 Inch (6 Pack) | 110-0408 |
| Blade-Med-Flow, 18 Inch (6 Pack) | 110-0409 |
| 36 Inch Bagger Enhancement Kit | 110-2026 |
| 36 Inch Recycler Kit | 110-2080 |
| Weight-Cast | 112-7059-01 |
| Weight Kit | 112-9971 |
| Operator-Controlled Discharge Chute Kit | 115-4190 |
| Soft Bag (3 Bushel) | 30104 |
| Tru Trak Sulky | 30110 |

