



Z300 Z Master[®] With 34in 7-Gauge Side Discharge Mower

Model No. 74408 - 290000001 and up.

Parts Catalog

Ordering Replacement Parts

To order replacement parts, please supply the part number, the quantity, and the description of each part desired.

Understanding Reference Numbers

Each identified part in an illustration has a reference number. The reference number for a part also appears in the parts list, along with other information about the part.

This catalog uses two special reference number formats, one to indicate parts in a service assembly and another to indicate the quantity of a given part in an illustration.

Service Assembly Reference Numbers

Parts in service assemblies have reference numbers in the form a:b. The a represents the reference number of the entire service assembly and the b represents a sequential number unique to each part within the service assembly.

For example, a wheel assembly might be identified by reference number 6, the tire by 6:1, the valve by 6:2, and the wheel by 6:3. When you order the assembly identified by reference number 6, you receive all parts identified by reference numbers 6:1, 6:2, and 6:3. However, you may also order any part individually. Reference numbers of this type appear in illustrations and in part lists.

Reference Numbers Indicating Quantity

In an illustration, if a reference number indicates more than one part, the reference number has the form nX y. The n represents the quantity of the part, the X is the multiplication symbol, and the y represents the reference number.

For example, in an illustration, the reference number 2X 37 means that two of the parts identified by reference number 37 are indicated.

Contents

Description	Page	Description	Page
Deck Connection Assembly 3	Caster and Height-of-Cut Assembly 12
Deck Assembly 4	Seat Assembly 13
Deck Decal Assembly No. 114-0503 5	Motion Control Assembly 14
Deflector Assembly No. 110-9917 6	Fuel Tank Assembly 15
Idler Assembly No. 112-3787 7	Engine Mounting Assembly 16
Spindle Assembly No. 110-9962 8	Hydraulic Drive Assembly 17
Brake Linkage Assembly 9	RH Transmission Assembly No. 116-1204 18
Front Frame Assembly 10	LH Transmission Assembly No. 116-1205 19
Frame Decal Assembly No. 114-3552 11	Electrical Assembly 20
		Attachments and Accessories List 21

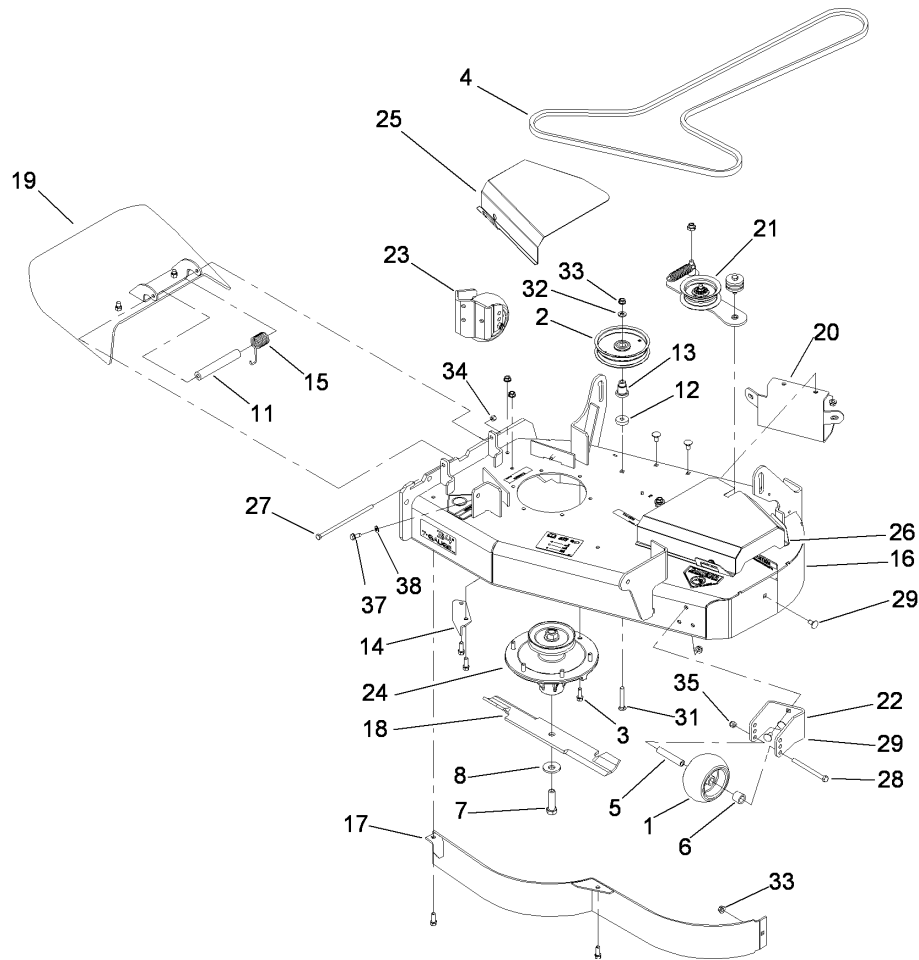
Part Description Abbreviations

Part descriptions in this catalog may include the following abbreviations.

AR. as required	HWHTF. hex washer head thread forming
ASM. assembly	HYD. hydraulic
BBC. blade brake clutch	LH. left hand
CARR. carriage	NI. nylon insert
CCW. counter clock wise	NPTF. national pipe thread fine
CW. clockwise	PFH. phillips flat head
DEG. degrees	PPH. phillips pan head
ECM. electronic control module	PPHTF. phillips pan head thread forming
EXT. external	PRH. phillips round head
FH. flat head	PTH. phillips truss head
GA. gauge	PTO. power-take-off
HD. heavy-duty	RH. right hand
HF. hex flange	ROPS. roll-over protection system
HH. hex head	SFH. slotted fillister head
HHF. hex head flange	SHH. slotted hex head
HHFTF. hex head flange thread forming	SHWH. slotted hex washer head
HJ. hex jam	SPH. slotted pan head
HLH. hex lag head	SQH. square head
HOC. height-of-cut	SRH. slotted round head
HSBH. hex socket button head	STD. standard
HSFH. hex socket flat head	TAP. self tapping
HSH. hex socket head	TTH. torx truss head
HWH. hex washer head	

Footnotes

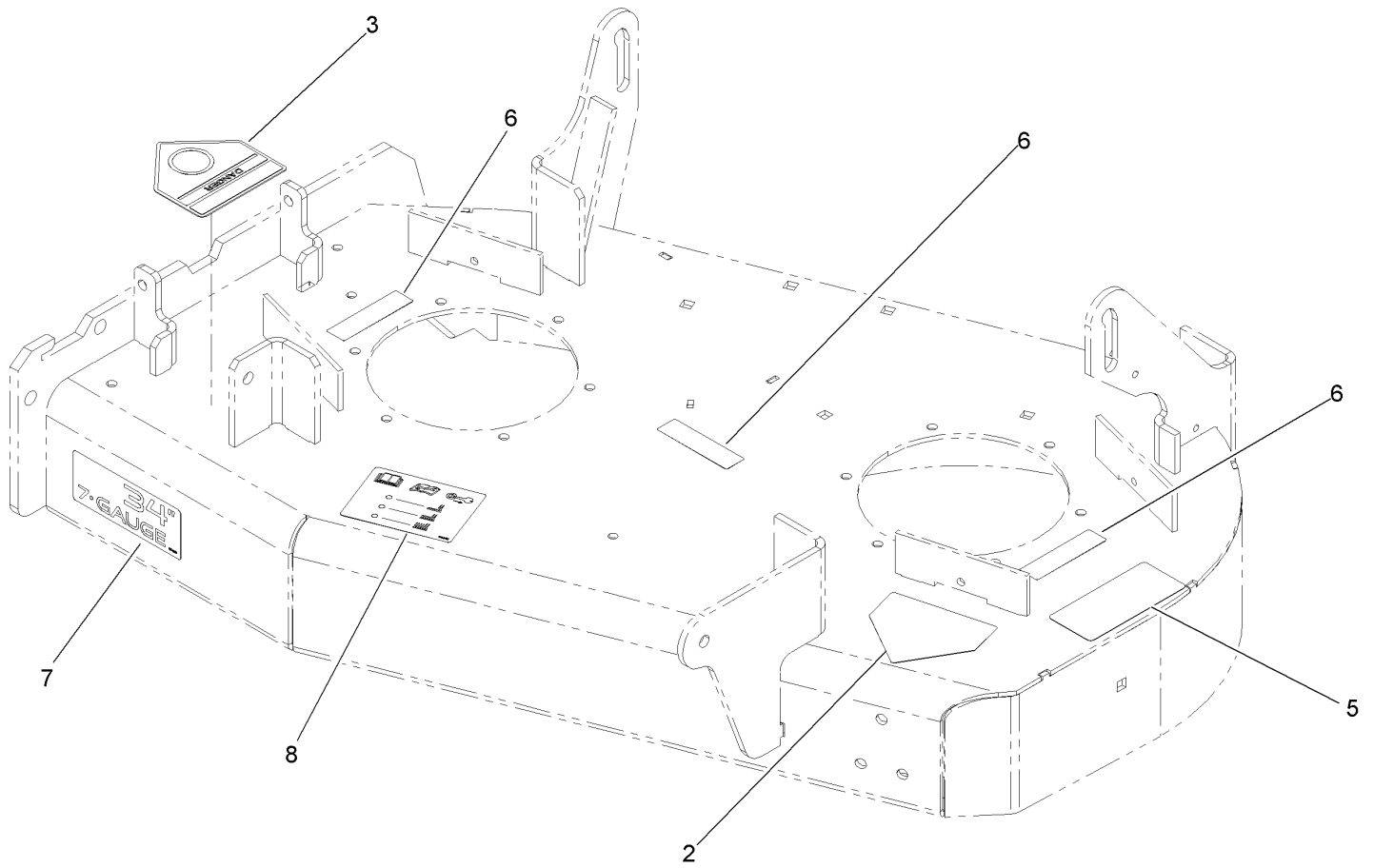
- ❶ Not illustrated
- ❷ Obtain parts from www.kawpowerepc.com
- ❸ Not serviced separately



Deck Assembly

Ref	Part No.	Qty.	Description
1	1-603299	2	Roller-Scalp, Anti
2	1-613098	1	Pulley-Idler
3	92-1624	16	Screw-HWH
4	114-0451	1	Belt
5	98-7912	2	Tube-Spanner
6	98-7913	2	Tube-Spacer
7	51-4060	2	Screw-Blade
8	103-0865	2	Washer-Blade Bolt, Heavy
11	105-4622	1	Spacer
12	105-7788	1	Spacer
13	106-3214	1	Mount-Pulley
14	107-8541-01	1	Baffle-Discharge
15	108-4052	1	Spring-Torsion
16	114-0503	1	Deck Decal ASM
17	110-1515-01	1	Baffle
18	110-9915-03	2	Blade-Rotary, 17.50 High Flow
19	110-9917	1	Deflector ASM
20	110-9926-01	1	Plate-Skid
21	112-3787	1	Idler ASM
22	110-9946-01	1	Plate-Support, Wheel
23	110-9949-01	1	Mount-Wheel, RH
24	110-9962	2	Spindle ASM
25	110-9959-01	1	Cover-RH
26	110-9968-01	1	Cover-LH

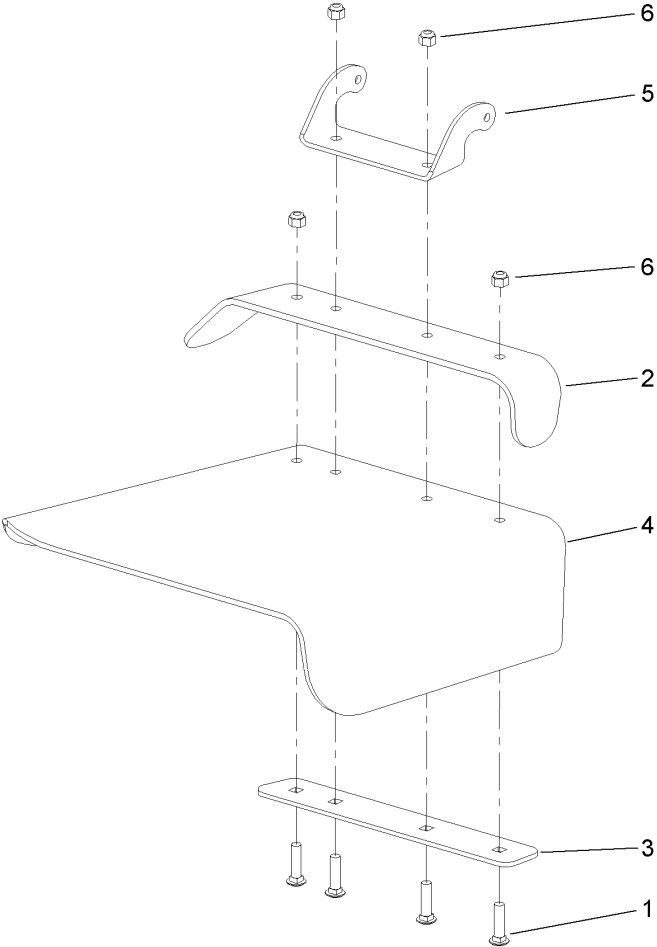
Ref	Part No.	Qty.	Description
27	322-50	1	Screw-HH
28	323-23	2	Screw-HH
29	3231-1	11	Screw-CARR
31	3231-31	1	Screw-CARR
32	3256-24	1	Washer-Flat
33	3290-357	14	Nut-HHF, Whiz
34	3296-29	1	Nut-Lock, NI
35	3296-39	2	Nut-Lock, NI
37	32144-70	4	Screw-HWHTF
38	3256-23	4	Washer-Flat



Deck Decal Assembly No. 114-0503

Ref	Part No.	Qty.	Description
2	1-403005	1	Decal-Danger
3	54-9220	1	Decal-Danger
5	68-8340	1	Decal-Torque
6	98-5954	3	Decal-Cover, Missing
7	112-3793	1	Decal
8	112-3858	1	Decal-Anti Scalp

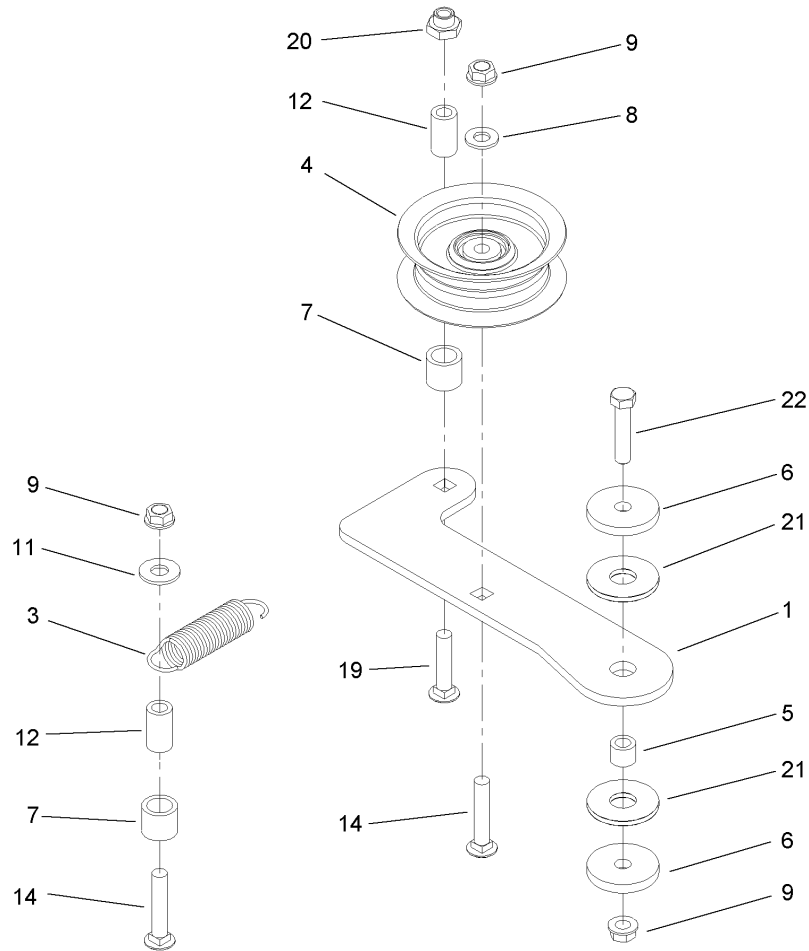
Ref	Part No.	Qty.	Description



Deflector Assembly No. 110-9917

Ref	Part No.	Qty.	Description
1	3231-4	4	Screw-CARR
2	110-0792-01	1	Deflector
3	110-0793-03	1	Strap-Discharge
4	110-0791	1	Deflector-Rubber
5	110-9923-01	1	Bracket-Mounting, Deflector
6	3296-39	4	Nut-Lock, NI

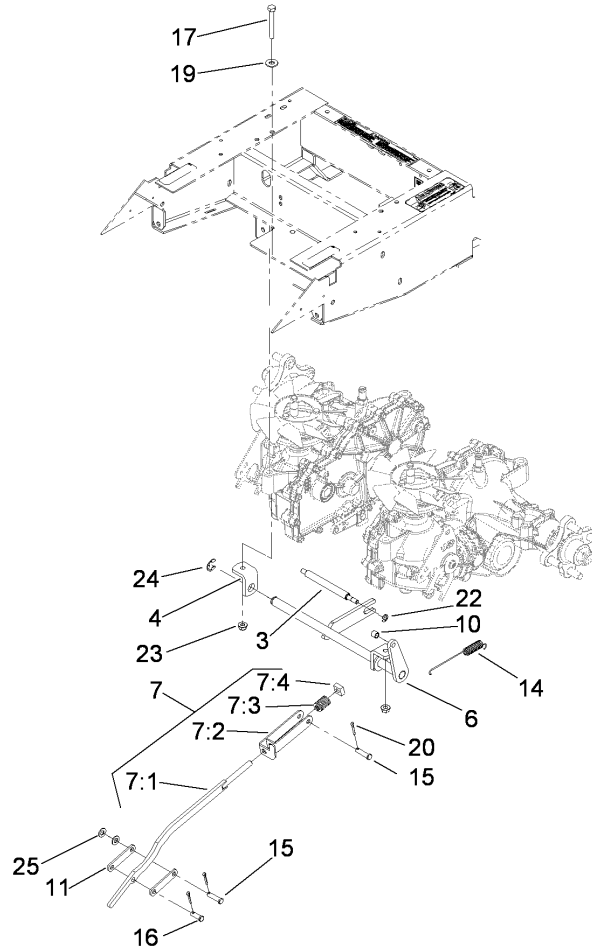
--	--	--	--



Idler Assembly No. 112-3787

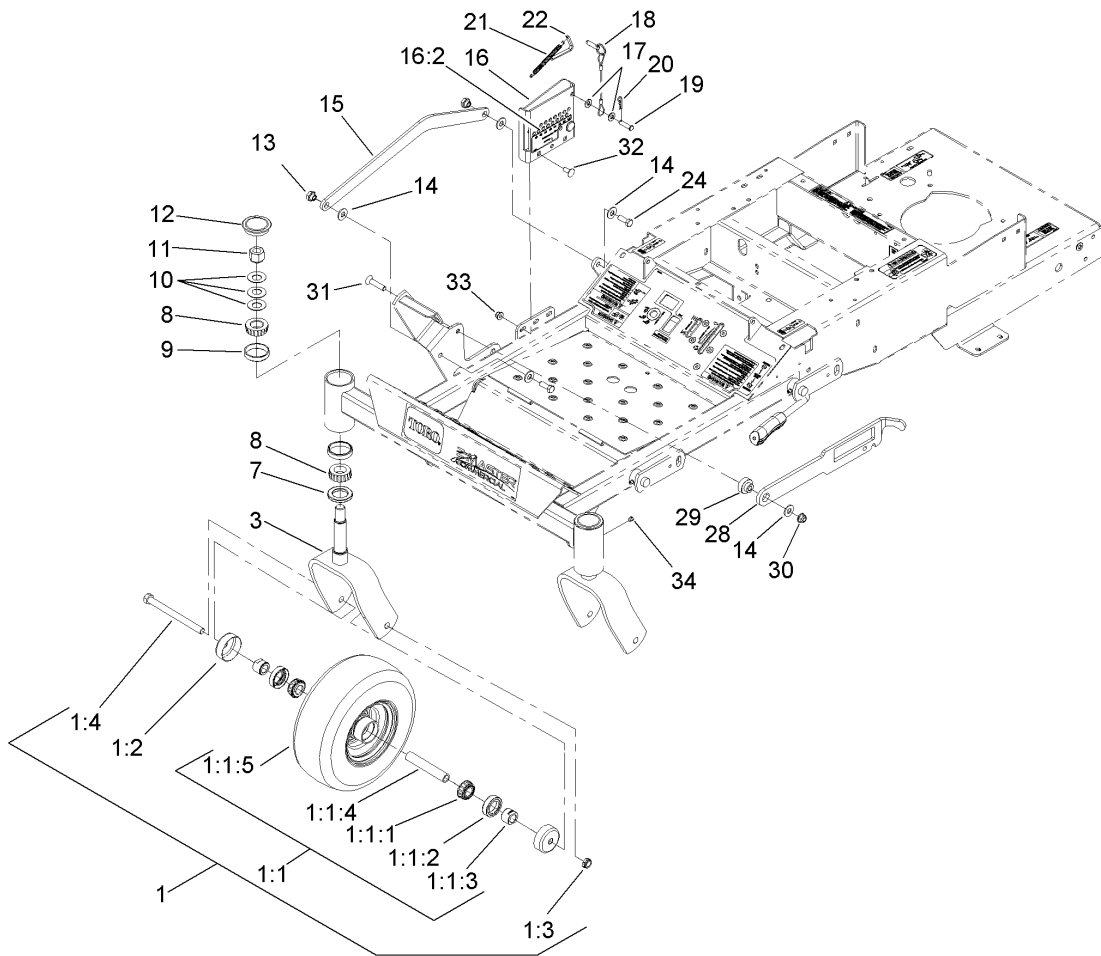
Ref	Part No.	Qty.	Description
1	110-9996	1	Arm-Idler
3	108-4056	1	Spring-Extension
4	106-2175	1	Pulley-Idler, Flat
5	1-413088	1	Bushing-Lever, Lift
6	110-9981	2	Washer-Plain
7	108-4063	2	Spacer-Rubber
8	3256-24	1	Washer-Flat
9	3290-357	3	Nut-HHF, Whiz
11	3256-4	2	Washer-Flat
12	1-603401	3	Spacer-Fender
14	3231-6	2	Screw-CARR
19	3231-5	1	Screw-CARR
20	103-9933	1	Nut-Shoulder
21	114-0463	2	Washer-Friction, Composite
22	323-9	1	Screw-HH

--	--	--	--



Brake Linkage Assembly

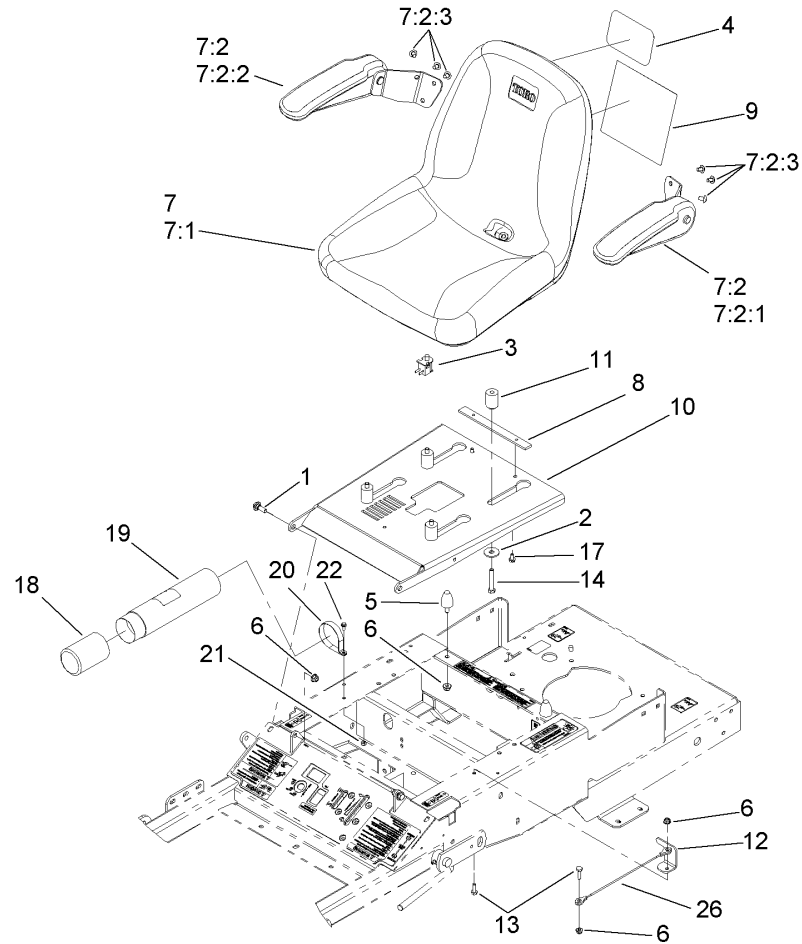
Ref	Part No.	Qty.	Description				
3	103-9408	1	Bar-Equalizer				
4	103-9409	1	Bracket-Pivot, Brake				
6	109-5376	1	Bellcrank-Brake				
7		1	Brake Link ASM				
7:1	109-5370	1	Link-Brake				
7:2	114-0548	1	Clevis-Brake				
7:3	103-9925	1	Spring-Brake				
7:4	103-9926	1	Nut-Square				
10	1-633545	1	Spacer				
11	109-0223	2	Link-Center, Over				
14	109-2861	1	Spring-Return, Brake				
15	283-6	2	Pin-Clevis				
16	283-75	1	Pin-Clevis				
17	322-12	2	Screw-HH				
19	3256-3	2	Washer-Flat				
20	3272-10	3	Pin-Cotter				
22	32120-35	1	Ring-Retaining, EXT				
23	104-8300	2	Nut-Flange, NI				
24	32120-19	1	E-Ring				
25	3256-23	2	Washer-Flat				



Caster and Height-of-Cut Assembly

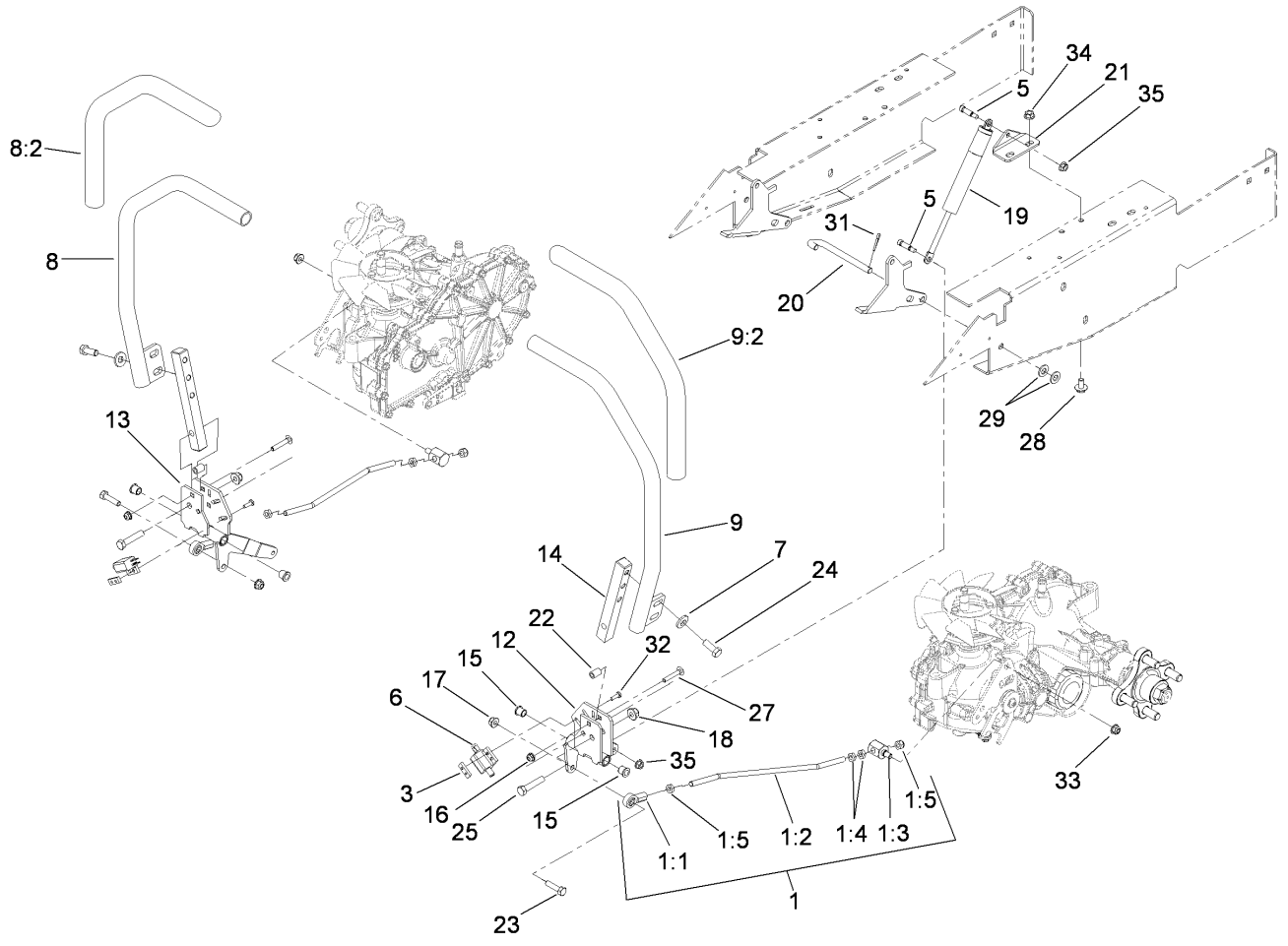
Ref	Part No.	Qty.	Description
1	112-3810	2	Wheel And Bearing ASM
② 1:1		1	Wheel Bearing ASM
1:1:1	1-633585	2	Bearing-Cone, Taper
1:1:2	103-0063	2	Seal-Caster
1:1:3	103-3051	2	Spacer-Nut
1:1:4	103-3157	1	Axle-Caster
1:1:5	110-9965	1	Wheel And Tire ASM
1:2	103-2768	2	Guard-Seal
1:3	3296-45	1	Nut-Lock, NI
1:4	325-20	1	Screw-HH
3	103-8618-01	2	Fork-Caster
7	1-543511	2	Seal-Grease
8	1-543509	4	Bearing-Roller, Tapered
9	1-543508	4	Cup-Bearing
10	1-633508	6	Washer-Bellville
11	3296-51	2	Nut-Lock, NI
12	103-4882	2	Cap-Grease
13	103-9933	2	Nut-Shoulder
14	63-8410	5	Washer
15	103-9932	1	Link-Control, Deck
16	109-3544	1	Height Adjust ASM
16:2	109-2463	1	Decal-Height, Deck
17	1-303334	2	Washer-Spring
18	109-3323	1	Height Pin W/Lanyard ASM

Ref	Part No.	Qty.	Description
19	283-6	1	Pin-Clevis
20	1-806003	1	Pin-Cotter, Hair
21	109-2416	1	Spring-Adjust, Height
22	109-2620	1	Pawl-Control, Height
24	323-6	2	Screw-HH
28	109-2410	1	Bar-Adjust, Height
29	103-9934	1	Bushing
30	104-8301	1	Nut-Flange, NI
31	3289-19	1	Screw-FH
32	3230-23	2	Screw-CARR
33	104-8300	2	Nut-Flange, NI
34	1-811010	2	Plug



Seat Assembly

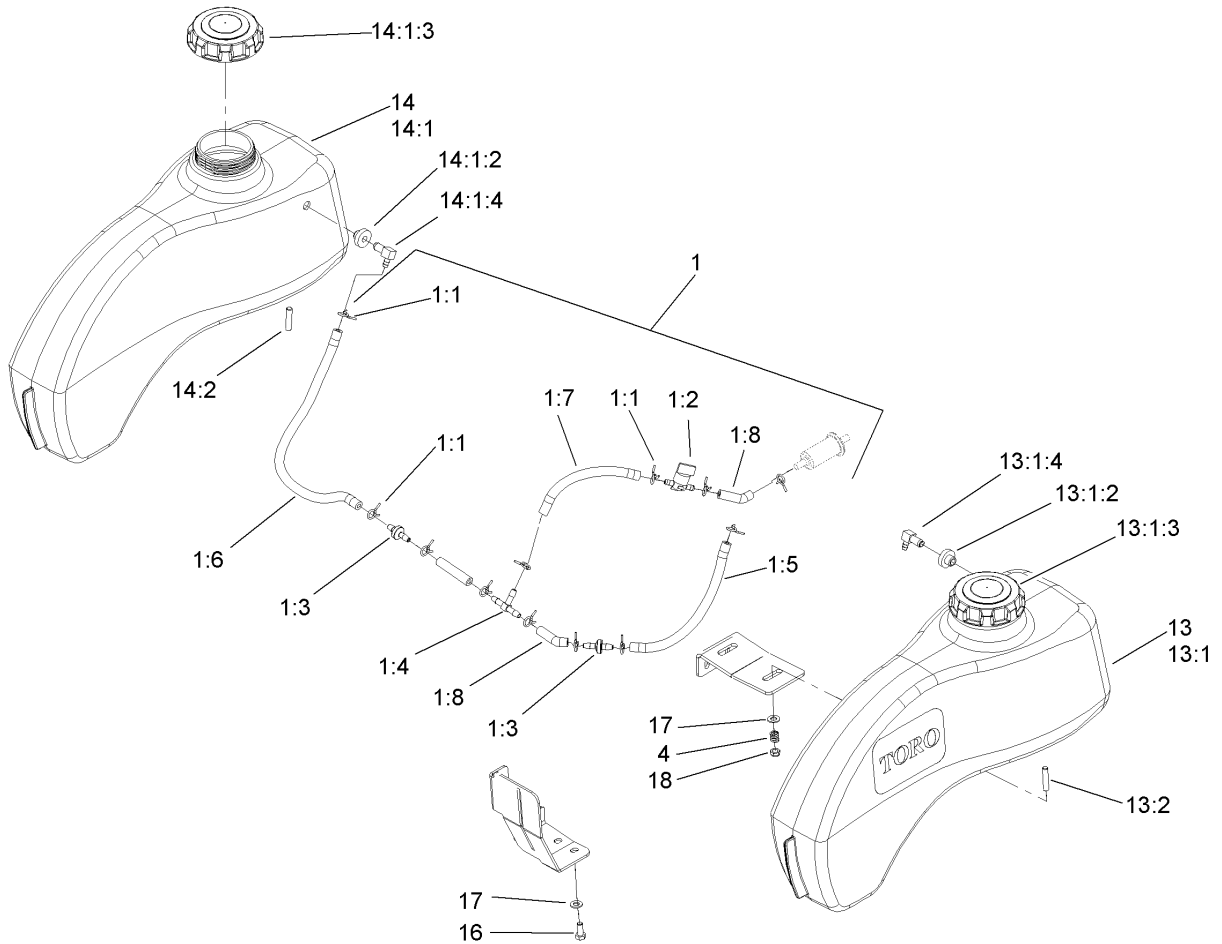
Ref	Part No.	Qty.	Description	Ref	Part No.	Qty.	Description
1	27-0410	2	Screw-Shoulder	22	3290-321	1	Screw-HWH
2	63-8410	4	Washer	26	109-2628	1	Cable-Stop, Seat
3	82-2190	1	Switch-Bail				
4	94-2579	1	Decal				
5	103-9376	2	Bumper-Seat				
6	104-8300	4	Nut-Flange, NI				
7	112-3845	1	Seat (With Arm Rests)				
7:1	112-3846	1	Seat				
7:2	108-6163	1	Armrest Kit				
7:2:1	110-6569	1	LH Armrest Kit				
7:2:2	110-6570	1	RH Armrest Kit				
7:2:3	108-6179	6	Screw-HSBH				
8	109-2427-03	1	Bar-Stop, Seat				
9	112-3836	1	Decal-Service				
10	109-2607-03	1	Bracket-Seat				
11	109-2608	4	Spacer				
12	114-0507	1	Bracket-Seat Holddown				
13	321-6	2	Screw-HH				
14	322-10	4	Screw-HH				
17	32144-4	2	Screw-HWH				
18	104-7048	1	Cap-Housing				
19	104-7050	1	Tube-Manual				
20	2412-120	1	R-Clamp				
21	3296-2	1	Nut-Lock, NI				



Motion Control Assembly

Ref	Part No.	Qty.	Description
1		2	Steering Rod ASM
1:1	1-543017	1	Balljoint-RH
1:2	103-9407	1	Rod-Steering, LH
1:3	103-9373	1	Trunnion
1:4	3220-2	3	Nut-Jam
1:5	3296-4	1	Nut-Lock
3	1-633181	2	Plate-Tapped
5	1-809057	4	Screw-HSH
6	65-7410	2	Switch-Pole, Single
7	98-5975	4	Washer-Belleville
8	112-3814	1	RH Control Lever ASM
8:2	108-5213	1	Grip-Foam
9	112-3815	1	LH Control Lever ASM
9:2	108-5213	1	Grip-Foam
12	103-9411	1	Control-Steering, RH
13	103-9413	1	Control-Steering, LH
14	103-9414	2	Mount-Post, Lever
15	103-9928	4	Bearing
16	104-7201	4	Nut-HF
17	104-8300	2	Nut-Flange, NI
18	104-8301	2	Nut-Flange, NI
19	109-2339	2	Damper-Control, Motion
20	109-2423	2	Shaft-Pivot, Control
21	109-2428	2	Bracket-Damper

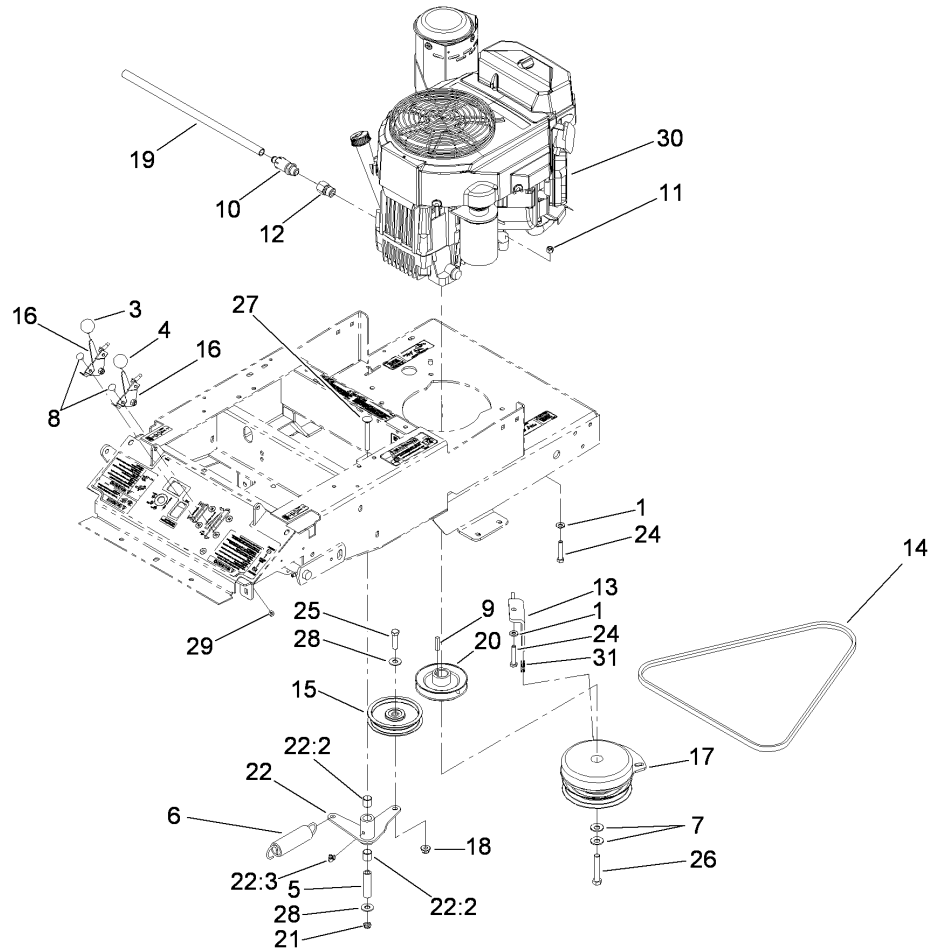
Ref	Part No.	Qty.	Description
22	1-633545	4	Spacer
23	322-6	2	Screw-HH
24	323-6	4	Screw-HH
25	323-9	2	Screw-HH
27	3229-4	4	Screw-CARR
28	3234-7	4	Screw-HHF
29	3256-24	2	Washer-Flat
31	3272-10	2	Pin-Cotter
32	3290-500	4	Screw-PPH
33	104-8300	2	Nut-Flange, NI
34	32128-20	4	Nut-HF
35	32128-33	4	Nut-HF



Fuel Tank Assembly

Ref	Part No.	Qty.	Description
1		1	Fuel Line ASM
1:1	1-303077	12	Clamp
1:2	1-603770	1	Valve-Fuel
1:3	99-5000	2	Valve-Check, Fuel
1:4	99-5005	1	Fitting-Tee, Barbed
1:5	107-7684	1	Hose-Fuel
1:6	108-4582	1	Hose-Fuel
1:7	109-0293	1	Hose-Fuel
1:8	109-0304	3	Hose-Fuel
4	1-633349	4	Spring-Tank, Fuel
13	112-3780	1	LH Tank ASM (W/Studs)
13:1		1	LH Tank ASM
13:1:2	104-7789	1	Bushing
13:1:3	109-0346	1	Cap-Fuel, Gas
13:1:4	109-2420	1	Fitting-Fuel (W/Line And Screen)
13:2	1-633023	2	Stud
14	112-3783	1	RH Tank ASM (W/Studs)
14:1		1	RH Tank ASM
14:1:2	104-7789	1	Bushing
14:1:3	109-0346	1	Cap-Fuel, Gas
14:1:4	109-2420	1	Fitting-Fuel (W/Line And Screen)
14:2	1-633023	2	Stud
16	322-3	2	Screw-HH
17	3256-23	6	Washer-Flat

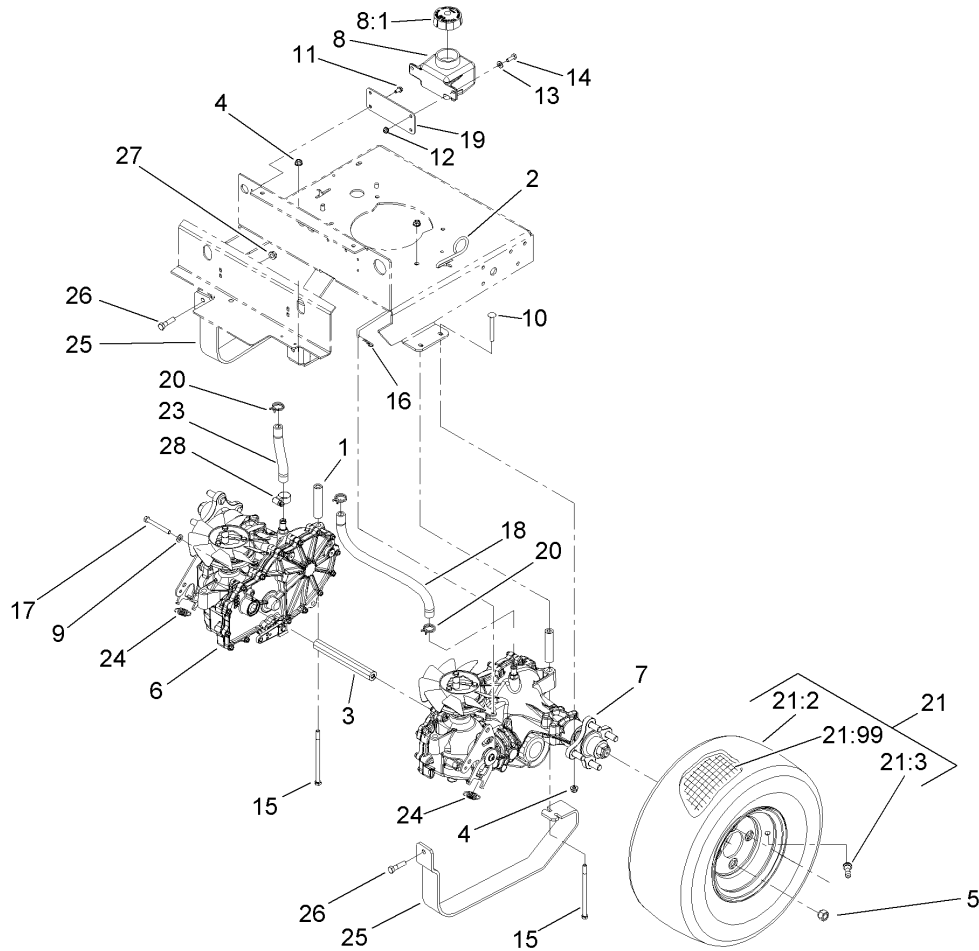
Ref	Part No.	Qty.	Description
18	3296-47	4	Nut-Lock, NI



Engine Mounting Assembly

Ref	Part No.	Qty.	Description
1	1-303334	4	Washer-Spring
3	1-513592	1	Knob-Ball
4	1-513593	1	Knob-Ball, Black
5	1-603384	1	Bushing-Pivot, Idler
6	108-4056	1	Spring-Extension
7	1-603610	2	Washer-Spring
8	1-807513	4	Bolt-CARR
9	13-2840	1	Key-Square
10	92-6877	1	Valve-Drain, Oil
11	3296-29	4	Nut-Lock, NI
12	103-1966	1	Adapter
13	103-9356-03	1	Rotation-Stop, Clutch
14	112-3799	1	Belt-V
15	103-9401	1	Idler
16	103-9946	2	Throttle Control ASM
17	103-9950	1	Clutch
18	104-8301	1	Nut-Flange, NI
19	106-7022	1	Tube-Drain, Oil
20	109-0393	1	Pulley-Engine
21	3296-59	1	Nut-Lock, NI
22	109-3119	1	Idler Hydro ASM
22:2	1-513034	2	Sleeve-Bearing
22:3	302-40	1	Fitting-Grease
24	322-9	4	Screw-HH

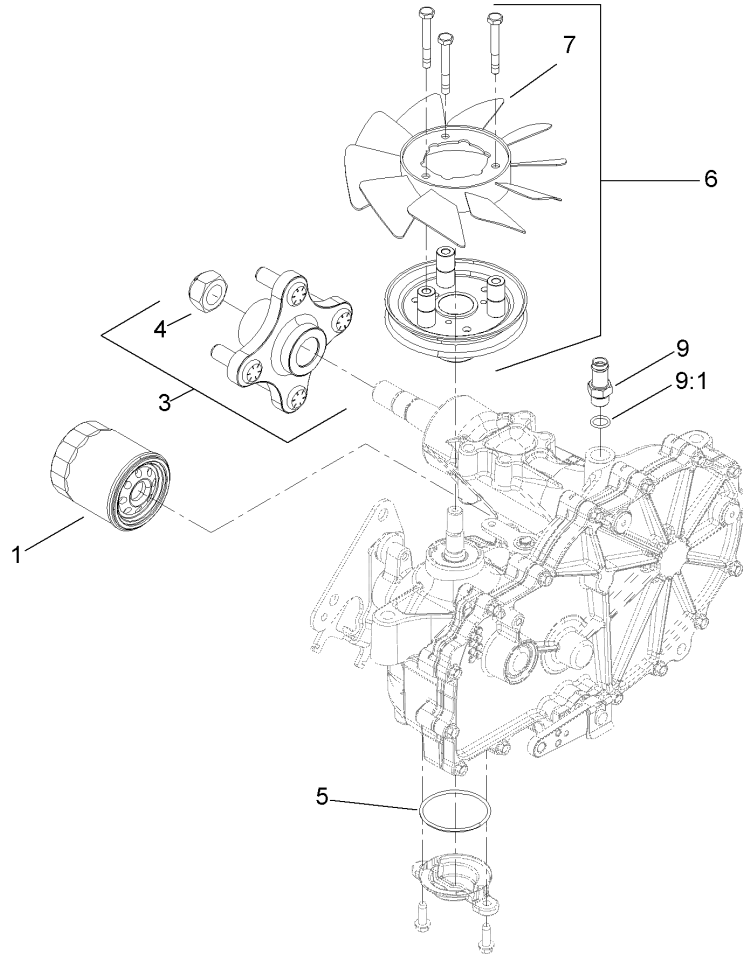
Ref	Part No.	Qty.	Description
25	323-8	1	Screw-HH
26	3212-10	1	Screw-HH
27	3231-10	1	Screw-CARR
28	3256-4	2	Washer-Flat
29	3296-2	4	Nut-Lock, NI
30		1	Engine-Kawasaki, FH580V
31	109-3765	1	Bumper



Hydraulic Drive Assembly

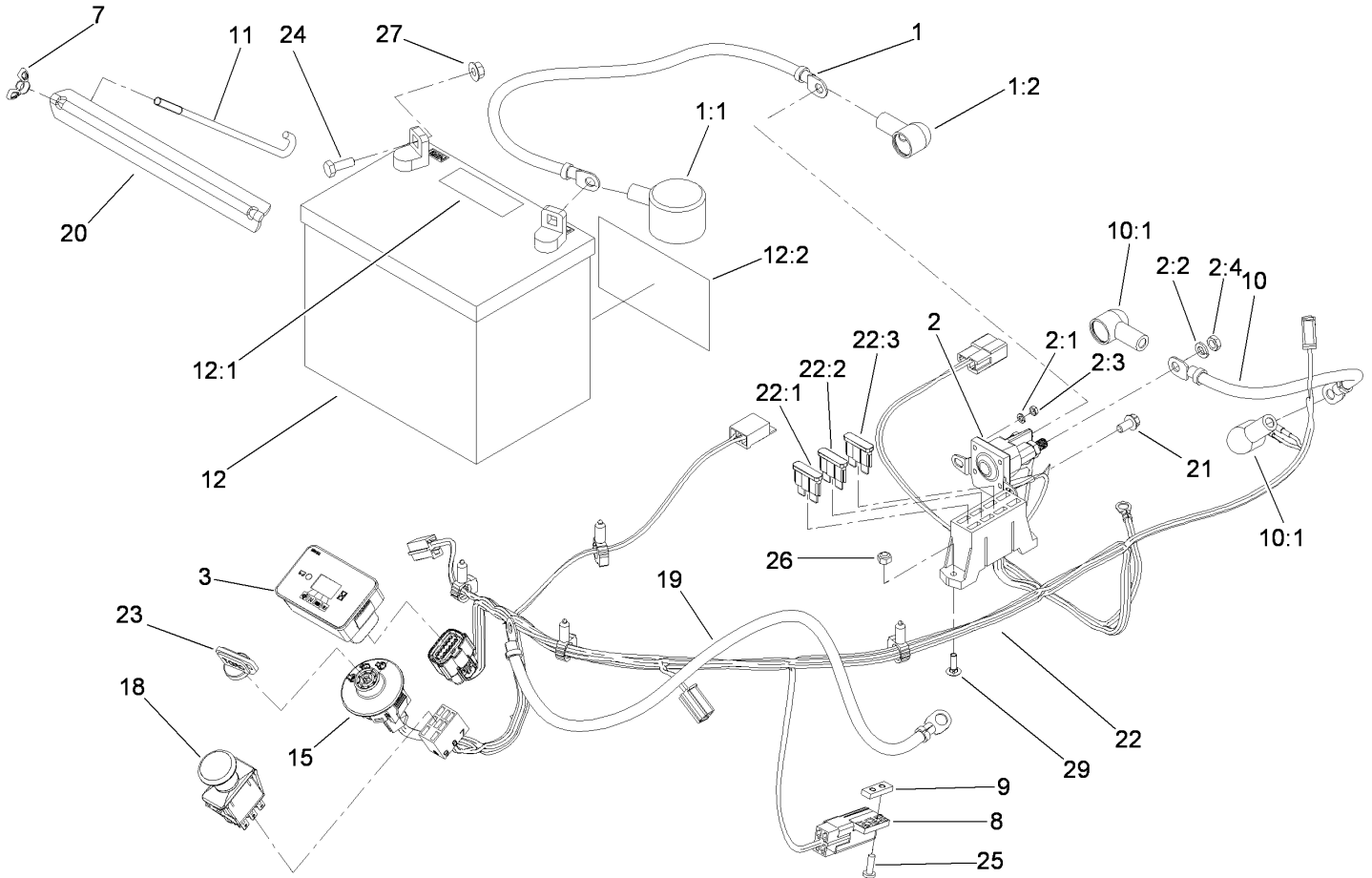
Ref	Part No.	Qty.	Description
1	103-9397	2	Spacer-Hydro
2	103-9380	2	Rod-Bypass, Hydro
3	103-9398	1	Spacer-Axle
4	104-8300	6	Nut-Flange, NI
5	242-50	8	Nut-Lug
6	116-1204	1	RH Transaxle ASM
7	116-1205	1	LH Transaxle ASM
8	109-2250	1	Vent-Tank, Hydro
8:1	109-3320	1	Cap-Reservoir, Hydraulic
9	98-5975	2	Washer-Belleville
10	3230-9	4	Screw-CARR
11	32144-4	2	Screw-HWH
12	104-7201	2	Nut-HF
13	3256-22	2	Washer-Flat
14	321-4	2	Screw-HH
15	1-800286	2	Screw-HH
16	1-806003	2	Pin-Cotter, Hair
17	323-11	2	Screw-HH
18	109-3459	1	Hose-HYD
19	103-9350-03	1	Plate-Mount, Tank
20	109-3322	3	Clamp-Hose
21	112-3794	2	Wheel And Tire ASM
21:2	112-3797	1	Tire
21:3	232-27	1	Stem-Valve

Ref	Part No.	Qty.	Description
21:99	107-2491	1	Tube-Tire
23	109-3319	1	Hose-HYD
24	109-2631	2	Spring-Return, Neutral
25	114-0469-03	2	Guard-Transmission
26	323-8	2	Screw-HH
27	3290-357	2	Nut-HHF, Whiz
28	109-6801	1	Clamp-Hose



RH Transmission Assembly No. 116-1204

Ref	Part No.	Qty.	Description	
1	109-3321	1	Element-Oil Filter, HYD	
❶ 2	109-3537	1	Complete Seal Kit	
3	109-3538	1	Hub Kit	
4	109-3536	1	Nut-Hub	
5	109-3540	1	O-Ring-Seal	
6	116-1207	1	Fan And Pulley Kit	
7	116-1206	1	Fan-7 Inch, 10 Blade	
9	109-3278	1	Adapter-Straight	
9:1	1-603921	1	O-Ring	



Electrical Assembly

Ref	Part No.	Qty.	Description
1	109-7653	1	Positive Battery Cable ASM
1:1	109-2407	1	Insulator-Battery
1:2	1-543393	1	Insulator-Solenoid
2	1-513075	1	Switch-Solenoid
2:1	3253-17	2	Washer-Lock
2:2	3253-4	2	Washer-Lock
2:3	3219-14	2	Nut-Hex
2:4	3220-2	2	Nut-Jam
3	112-8650	1	Hour Meter ASM
7	1-543792	2	Wingnut
8	1-633111	1	Switch
9	1-633181	1	Plate-Tapped
10	109-7620	1	Positive Starter Cable ASM
10:1	1-543393	2	Insulator-Solenoid
11	1-633651	2	Bolt-Holddown
12	105-1692	1	Battery
12:1	104-4163	1	Decal-Battery
12:2	104-4164	1	Decal-Battery
15	116-0229	1	Switch-Ignition
18	103-5221	1	Switch-PTO
19	103-8355	1	Cable-Battery, Negative
20	103-9944-03	1	Angle-Battery
21	32144-4	2	Screw-HWH
22	114-3515	1	Harness-Wire

Ref	Part No.	Qty.	Description
22:1	109103	1	Fuse-30 Amp
22:2	109102	2	Fuse-25 Amp
22:3	218-578	1	Fuse-10 Amp
23	63-8360	1	Key-Ignition
24	321-4	2	Screw-HH
25	3290-500	2	Screw-PPH
26	3296-2	2	Nut-Lock, NI
27	32128-33	2	Nut-HF
29	1-807533	2	Bolt-CARR

Attachments and Accessories

For 74408 - Z300 Z Master, With 34in 7-Gauge Side Discharge Mower

Product Name	Model/Part
Recycler Kit	110-9960
17.5 Inch Recycling Blade (6-Pack)	114-4956
17.5 Low Flow Blade (6-Pack)	114-4957
17.5 Med Flow Blade (6-Pack)	114-4958
17.5 High Flow Blade (6-Pack)	114-4959
17.5 Atomic Blade (6-Pack)	114-4960
Chute Gate Kit	78520

NOTES

NOTES

