



## Z Stand<sup>®</sup> Kit Z Master<sup>®</sup> G3 Riding Mower with 72-in Deck

Model No. 117-0354

### Parts Catalog

---

#### Ordering Replacement Parts

To order replacement parts, please supply the part number, the quantity, and the description of each part desired.

#### Understanding Reference Numbers

Each identified part in an illustration has a reference number. The reference number for a part also appears in the parts list, along with other information about the part.

This catalog uses two special reference number formats, one to indicate parts in a service assembly and another to indicate the quantity of a given part in an illustration.

#### Service Assembly Reference Numbers

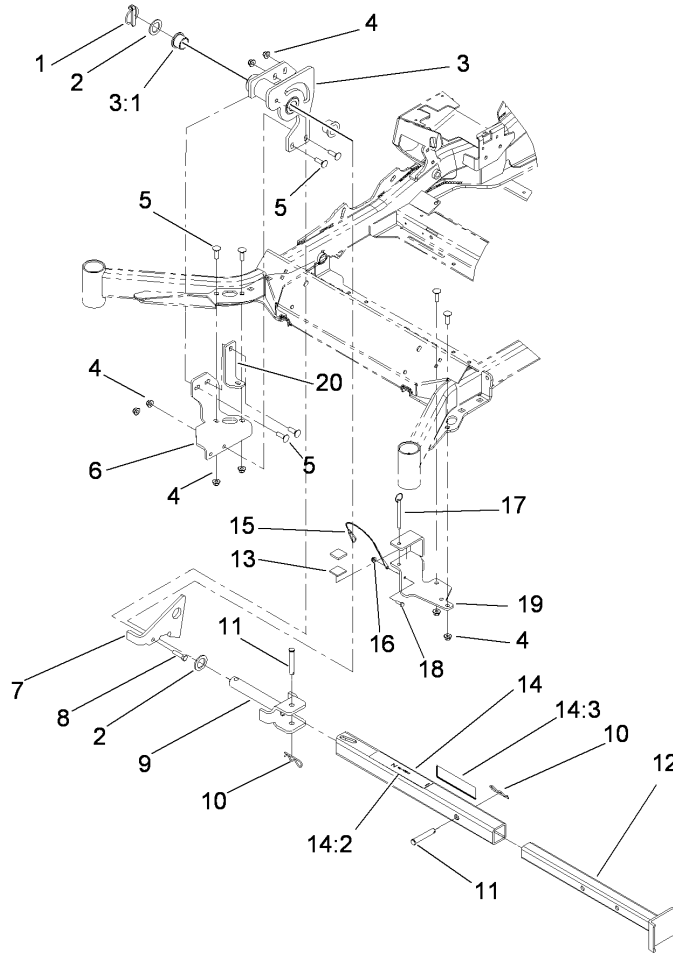
Parts in service assemblies have reference numbers in the form a:b. The a represents the reference number of the entire service assembly and the b represents a sequential number unique to each part within the service assembly.

For example, a wheel assembly might be identified by reference number 6, the tire by 6:1, the valve by 6:2, and the wheel by 6:3. When you order the assembly identified by reference number 6, you receive all parts identified by reference numbers 6:1, 6:2, and 6:3. However, you may also order any part individually. Reference numbers of this type appear in illustrations and in part lists.

#### Reference Numbers Indicating Quantity

In an illustration, if a reference number indicates more than one part, the reference number has the form nX y. The n represents the quantity of the part, the X is the multiplication symbol, and the y represents the reference number.

For example, in an illustration, the reference number 2X 37 means that two of the parts identified by reference number 37 are indicated.



### Z Stand Kit No. 117-0354

| Ref  | Part No.    | Qty. | Description                  |  |  |  |  |
|------|-------------|------|------------------------------|--|--|--|--|
| 1    | 283-71      | 1    | Pin-Lynch                    |  |  |  |  |
| 2    | 3-6781      | 2    | Washer-Thrust                |  |  |  |  |
| 3    | 117-0353    | 1    | Z Stand Pivot ASM            |  |  |  |  |
| 3:1  | 94-1291     | 2    | Bushing                      |  |  |  |  |
| 4    | 104-8301    | 9    | Nut-Flange, NI               |  |  |  |  |
| 5    | 3231-25     | 8    | Screw-CARR                   |  |  |  |  |
| 6    | 117-0351-01 | 1    | Bracket-Z Stand, Pivot Mount |  |  |  |  |
| 7    | 100-9686-01 | 1    | Bracket-Latch                |  |  |  |  |
| 8    | 323-8       | 1    | Screw-HH                     |  |  |  |  |
| 9    | 100-9692-01 | 1    | Pivot Pin ASM                |  |  |  |  |
| 10   | 3290-355    | 2    | Pin-Hair                     |  |  |  |  |
| 11   | 283-55      | 2    | Pin-Clevis                   |  |  |  |  |
| 12   | 115-3631-01 | 1    | Inner Tube ASM               |  |  |  |  |
| 13   | 115-3613    | 2    | Cushion Rubber               |  |  |  |  |
| 14   | 117-0360    | 1    | Outer Tube ASM               |  |  |  |  |
| 14:2 | 106-7464    | 1    | Decal-Z Stand                |  |  |  |  |
| 14:3 | 107-3969    | 1    | Decal-Warning                |  |  |  |  |
| 15   | 100-9385    | 1    | Lanyard-Nylon                |  |  |  |  |
| 16   | 104-7201    | 1    | Nut-HF                       |  |  |  |  |
| 17   | 105-1647    | 1    | Pin-Hitch, Cotterless        |  |  |  |  |
| 18   | 321-4       | 1    | Screw-HH                     |  |  |  |  |
| 19   | 115-3625-01 | 1    | Zstand Cradle ASM            |  |  |  |  |
| 20   | 117-0398-01 | 1    | Bracket-Support              |  |  |  |  |