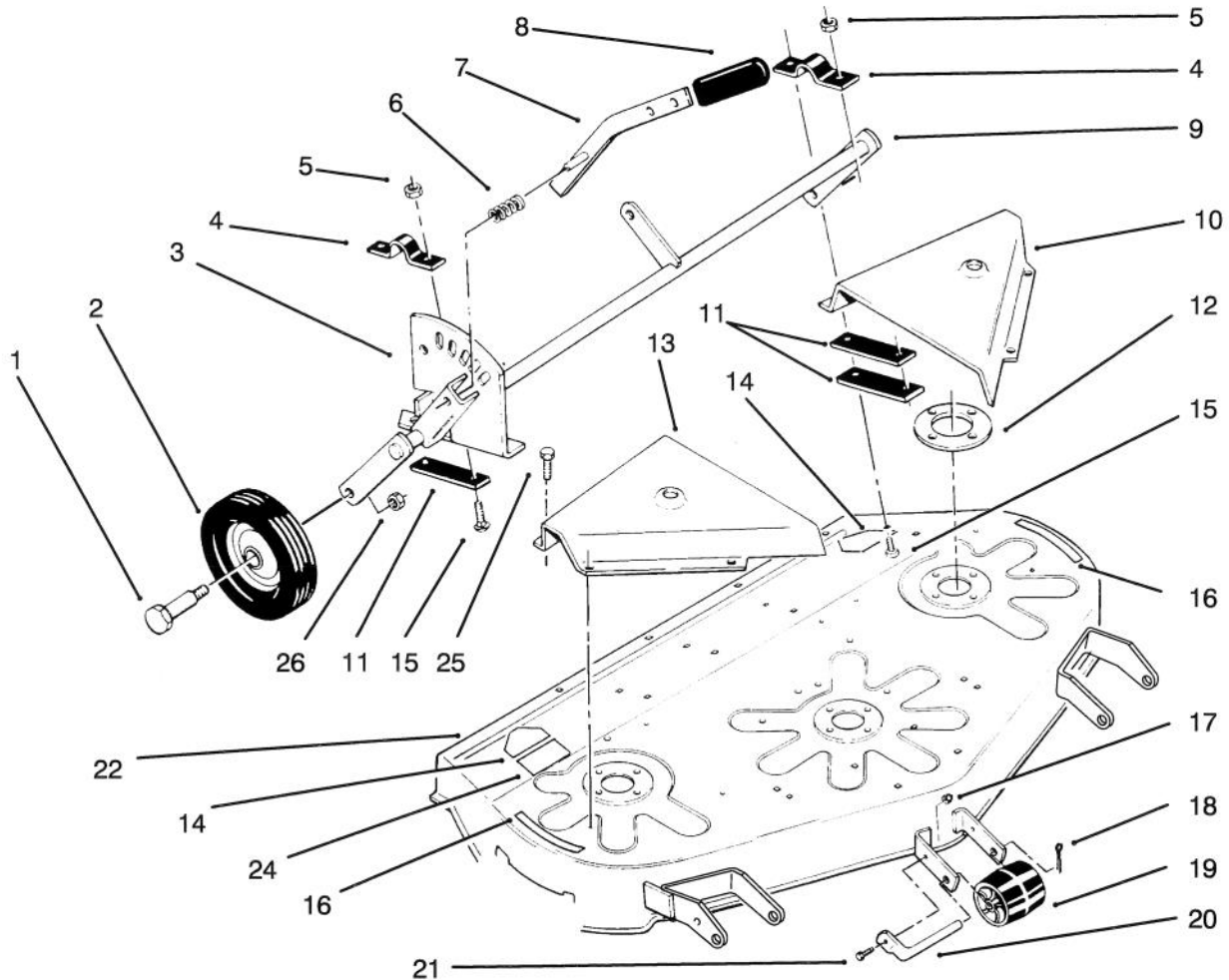




MODEL NO. 78350-4900001 &amp; UP

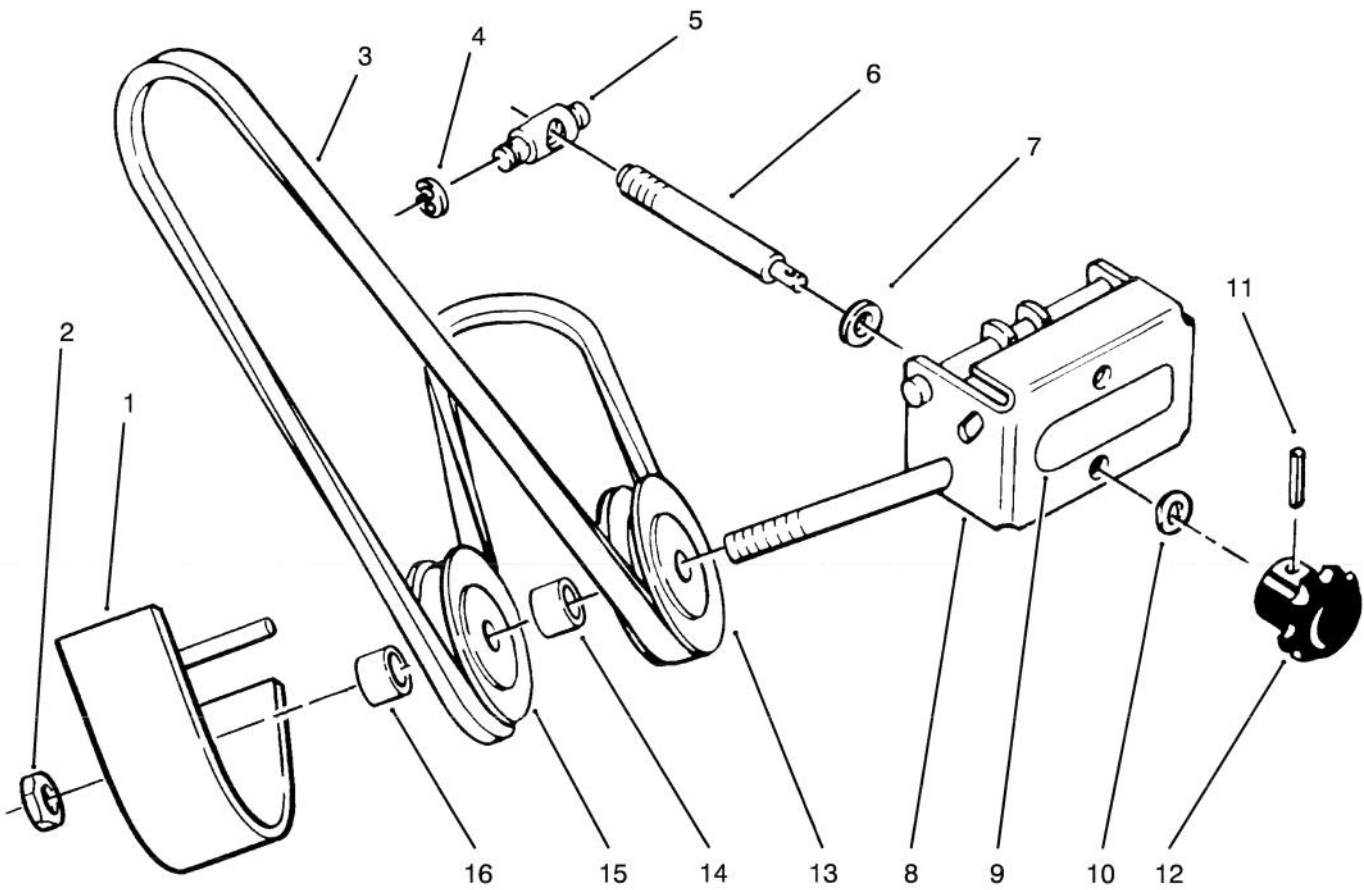
PARTS  
CATALOG
**WHEEL HORSE®**  
 42" Rear Discharge Mower


C-0884

**DECK & COVER ASSEMBLY**

Ref. No.	Part No.	Description	No. Used
1	5188	Bolt - Shoulder	2
2	110506	Wheel	2
3	106392	Quadrant	1
4	110841	Clamp	2
5	3296-39	Nut - Lock	4
6	101853	Spring	1
7	115213	Lever	1
8	103712	Grip	1
9	79-5360	Gauge - Wheel Support	1
10	106638	Cover - Belt L.H.	1
11	110840	Strap	3
12	106117	Plate - Spindle	3
13	106409	Cover - Belt R.H.	1

Ref. No.	Part No.	Description	No. Used
14	43-8480	Decal - Danger	2
15	3231-25	Bolt - Carriage	4
16	76-4070	Decal - Danger	2
17	3296-42	Nut - Lock	3
18	3272-21	Pin - Cotter	3
19	108798	Roller	3
20	110847	Shaft - Roller	3
21	321-4	Bolt	3
22	92-7292	Deck - Mower (Incl. ref.# 14 & 16)	1
24	106748	Decal - Height of Cut	1
25	926671	Bolt	8
26	32146-2	Nut - Lock	2



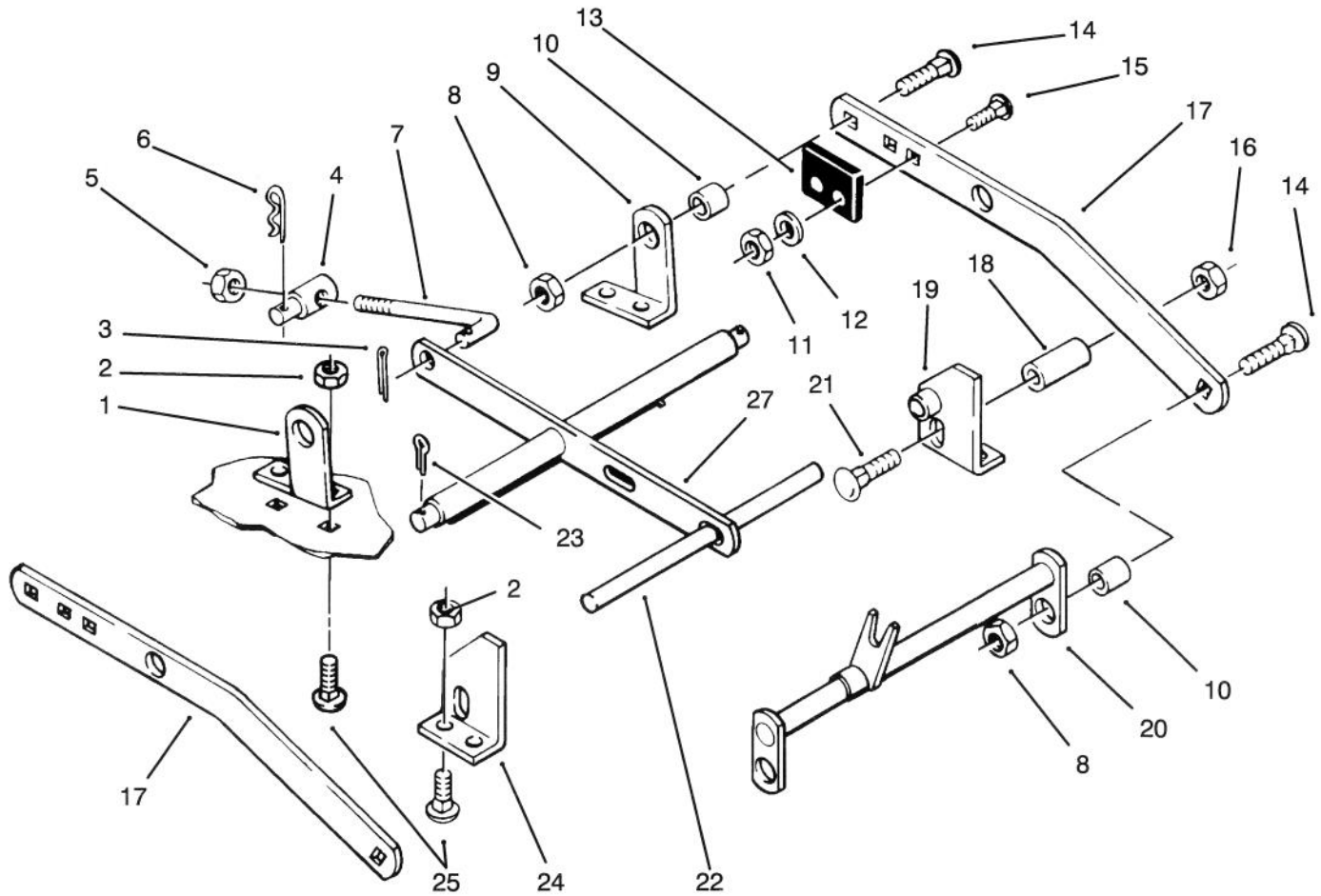
C-0885

## DECK DRIVE BELT ATTACHMENT

Ref. No.	Part No.	Description	No. Used
1	102582	Cover - Belt	1
2	9150076	Nut - Lock	1
3	108834	Drive - Belt	1
4	105797	Ring - Retaining	2
5	101708	Trunnion	1
6	101842	Rod - Adjustment	1
7	3256-24	Washer	1
8	101728	Support - Idler, Front	1
9	92-8747	Decal - Attach	1

Ref. No.	Part No.	Description	No. Used
10	108571	Washer - Spring	1
11	933156	Pin - Spirol	1
12	101851	Knob - Adjustment	1
13	104974	Pulley - Idler	1
14	101734	Spacer - Inner	4
15	104975	Pulley - Idler, Flat	1
16	101757	Spacer - Outer	1
*	101657	Idler Assembly - Front (Incl. Ref. #1, 2, 4-8 & 10-16)	1

\*Not Illustrated

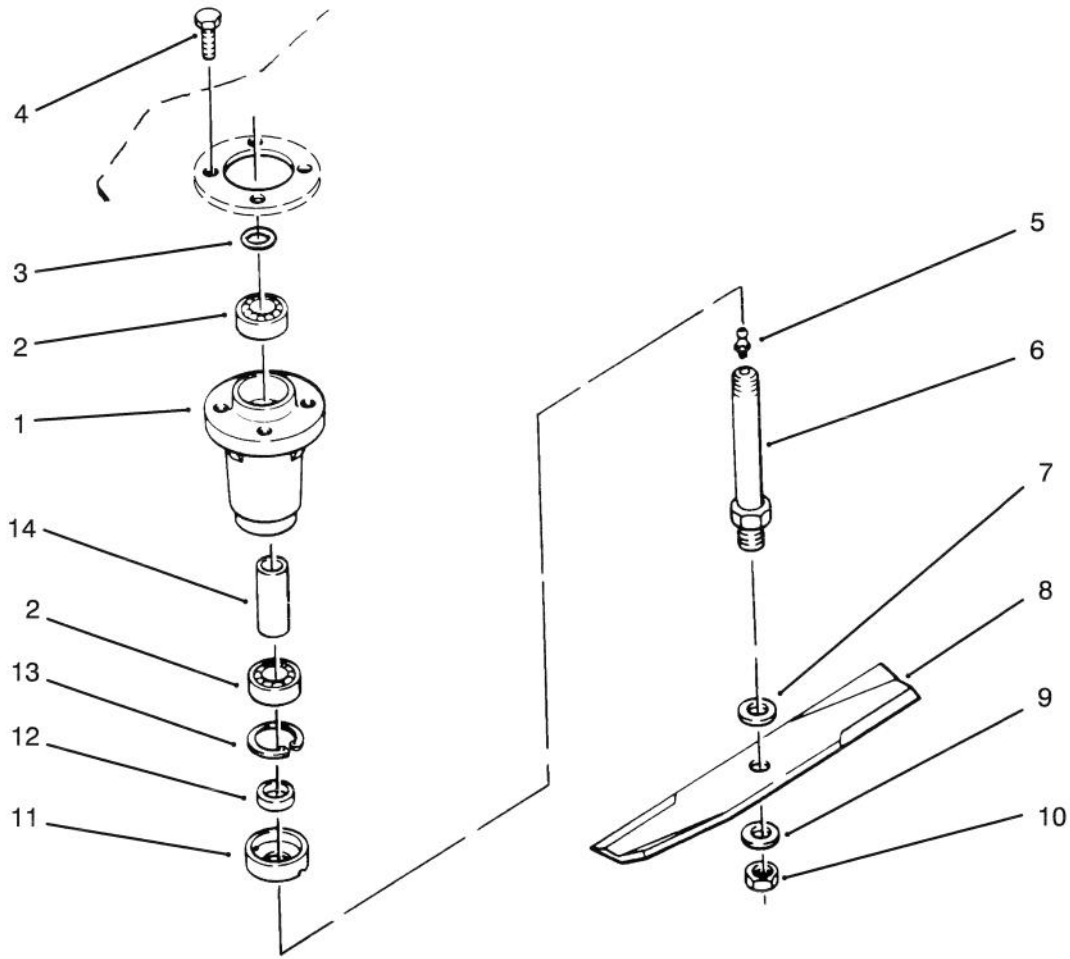


C-0886

## SUSPENSION ASSEMBLY

Ref. No.	Part No.	Description	No. Used
1	107512	Bracket – Right Rear	1
2	3296-39	Nut – Lock	8
3	3272-6	Pin – Cotter	1
4	6739	Stud – Lift	1
5	3296-39	Nut – Lock	1
6	933504	Pin – Cotter	2
7	101828	Rod – Leveler	1
8	102809	Nut	4
9	107511	Bracket – Left Rear	1
10	111044	Spacer	4
11	3296-29	Nut – Lock	4
12	3256-3	Washer	4
13	102322	Bumper – Rubber	2

Ref. No.	Part No.	Description	No. Used
14	3231-25	Bolt – Carriage	4
15	3230-3	Bolt – Carriage	4
16	3296-48	Nut	2
17	101777	Bar – Draft	2
18	979360	Spacer – Transport Stop	2
19	102567	Bracket – Left Front	1
20	101758	Hitch	1
21	3232-3	Bolt – Carriage	2
22	102570	Shaft – Front	1
23	3272-12	Pin – Cotter	2
24	102566	Bracket – Right Front	1
25	3231-2	Bolt – Carriage	8
27	110268	Leveler	1



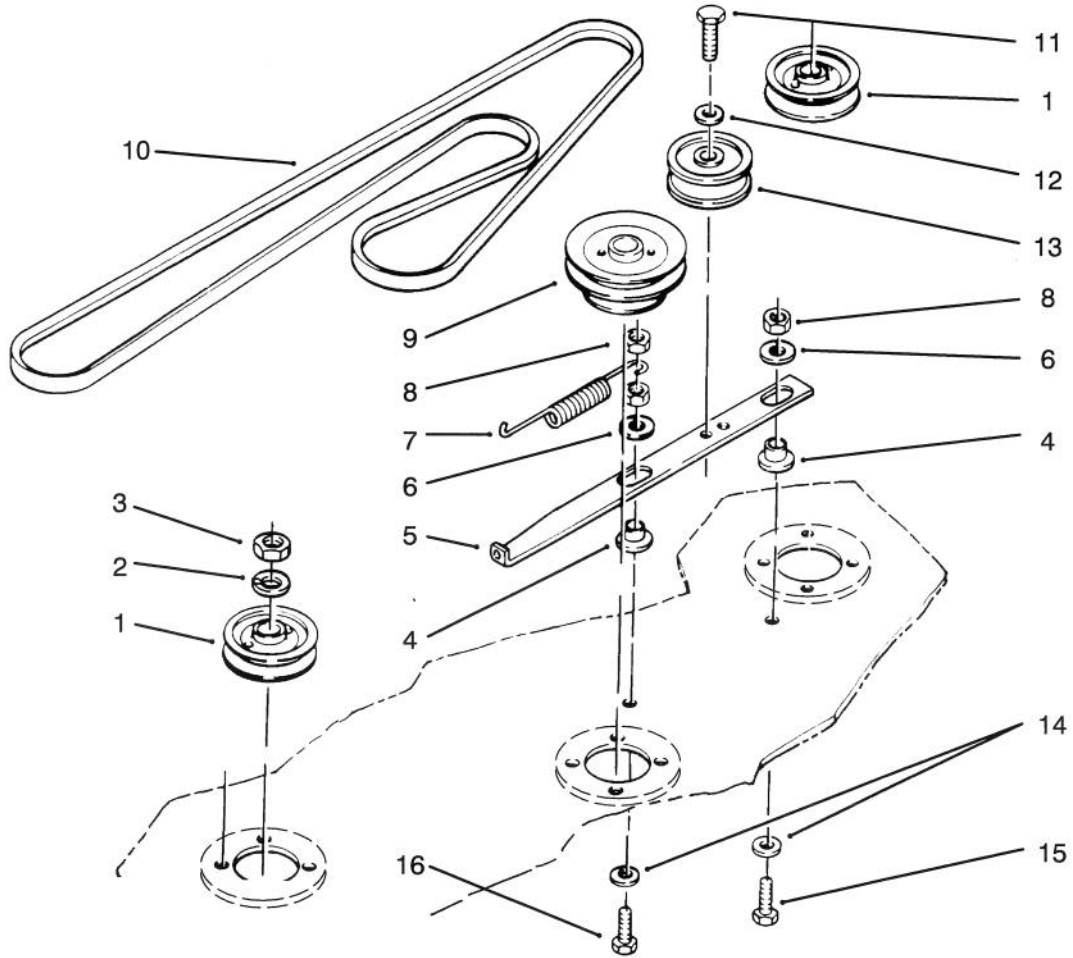
C-0887

## SPINDLE & BLADE ASSEMBLY

Ref. No.	Part No.	Description	No. Used
1	114568	Housing - Spindle	3
2	109966	Bearing - Ball	6
3	971015	"O"Ring	3
4	9080326	Bolt	12
5	302-5	Fitting - Grease	3
6	112674	Shaft - Spindle	3
7	920257	Washer - Special	3
8	106635	Blade (Set of 3)	1
9	3256-28	Washer	3

Ref. No.	Part No.	Description	No. Used
10	3220-7	Nut - Jam	3
11	106067	Cup - Spindle	3
12	106068	Spacer - Blade	3
13	32120-42	Ring - Retaining Int.	3
14	116085	Spacer	3
*	110172	Spindle Assembly (Incl. ref.#1-3, 5, 6 & 11-14)	3

\*Not Illustrated



C-0888

### DECK BELT & PULLEYS

Ref. No.	Part No.	Description	No. Used
1	109967	Pulley - Outer	2
2	3253-8	Washer - lock	3
3	3220-6	Nut - Jam	3
4	107674	Bushing - Spacer	2
5	106120	Bar - Idler Support	1
6	107675	Washer - Special	2
7	100071	Spring	1
8	3296-39	Nut - Lock	3

Ref. No.	Part No.	Description	No. Used
9	110148	Pulley - Center	1
10	106125	"V" Belt	1
11	323-7	Bolt	1
12	3253-21	Washer - Lock	1
13	112425	Pulley - Idler, Flat	1
14	2844	Washer - Special	2
15	323-7	Bolt	1
16	323-9	Bolt	1

# TORO PART NUMBER INDEX

Part No.	Description	Pg. No.	Ref. No.	Qty.	Part No.	Description	Pg. No.	Ref. No.	Qty.
2844	Washer – Special	5	14	2	110847	Shaft – Roller	1	20	3
5188	Bolt – Shoulder	1	1	2	111044	Spacer	3	10	4
6739	Stud – Lift	3	4	1	112425	Pulley – Idler, Flat	5	13	1
100071	Spring	5	7	1	112674	Shaft – Spindle	4	6	3
101657	Idler Assembly – Front	2	*	1	114568	Housing – Spindle	4	1	3
101708	Trunnion	2	5	1	115213	Lever	1	7	1
101728	Support – Idler, Front	2	8	1	116085	Spacer	4	14	3
101734	Spacer – Inner	2	14	4	933156	Pin – Spirol	2	11	1
101757	Spacer – Outer	2	16	1	971015	ORing	4	3	3
101758	Hitch	3	20	1	9080326	Bolt	4	4	12
101777	Bar – Draft	3	17	2	9150076	Nut – Lock	2	2	1
101828	Rod – Leveler	3	7	1	920257	Washer – Special	4	7	3
101842	Rod – Adjustment	2	6	1	926671	Bolt	1	25	8
101851	Knob – Adjustment	2	12	1	933504	Pin – Cotter	3	6	2
101853	Spring	1	6	1	979360	Spacer – Transport Stop	3	18	2
102322	Bumper – Rubber	3	13	2	43-8480	Decal – Danger	1	14	2
102566	Bracket – Right Front	3	24	1	76-4070	Decal – Danger	1	16	2
102567	Bracket – Left Front	3	19	1	79-5360	Gauge – Wheel Support	1	9	1
102570	Shaft – Front	3	22	1	92-7292	Deck – Mower	1	22	1
102582	Cover – Belt	2	1	1	92-8747	Decal – Attach	2	9	1
102809	Nut	3	8	4	302-5	Fitting – Grease	4	5	3
103712	Grip	1	8	1	321-4	Bolt	1	21	3
104974	Pulley – Idler	2	13	1	323-7	Bolt	5	11	1
104975	Pulley – Idler, Flat	2	15	1	323-7	Bolt	5	15	1
105797	Ring – Retaining	2	4	2	323-9	Bolt	5	16	1
106067	Cup – Spindle	4	11	3	3220-6	Nut – Jam	5	3	3
106068	Spacer – Blade	4	12	3	3220-7	Nut – Jam	4	10	3
106117	Plate – Spindle	1	12	3	3230-3	Bolt – Carriage	3	15	4
106120	Bar – Idler Support	5	5	1	3231-2	Bolt – Carriage	3	25	8
106125	VBelt	5	10	1	3231-25	Bolt – Carriage	3	14	4
106392	Quadrant	1	3	1	3231-25	Bolt – Carriage	1	15	4
106409	Cover – Belt R.H.	1	13	1	3232-3	Bolt – Carriage	3	21	2
106635	Blade (Set of 3)	4	8	1	3253-8	Washer – lock	5	2	3
106638	Cover – Belt L.H.	1	10	1	3253-21	Washer – Lock	5	12	1
106748	Decal – Height of Cut	1	24	1	3256-3	Washer	3	12	4
107511	Bracket – Left Rear	3	9	1	3256-24	Washer	2	7	1
107512	Bracket – Right Rear	3	1	1	3256-28	Washer	4	9	3
107674	Bushing – Spacer	5	4	2	3272-6	Pin – Cotter	3	3	1
107675	Washer – Special	5	6	2	3272-12	Pin – Cotter	3	23	2
108571	Washer – Spring	2	10	1	3272-21	Pin – Cotter	1	18	3
108798	Roller	1	19	3	3296-29	Nut – Lock	3	11	4
108834	Drive – Belt	2	3	1	3296-39	Nut – Lock	3	2	8
109966	Bearing – Ball	4	2	6	3296-39	Nut – Lock	1	5	4
109967	Pulley – Outer	5	1	2	3296-39	Nut – Lock	3	5	1
110148	Pulley – Center	5	9	1	3296-39	Nut – Lock	5	8	3
110172	Spindle Assembly	4	*	3	3296-42	Nut – Lock	1	17	3
110268	Leveler	3	27	1	3296-48	Nut	3	16	2
110506	Wheel	1	2	2	32120-42	Ring – Retaining Int.	4	13	3
110840	Strap	1	11	3	32146-2	Nut – Lock	1	26	2
110841	Clamp	1	4	2					



