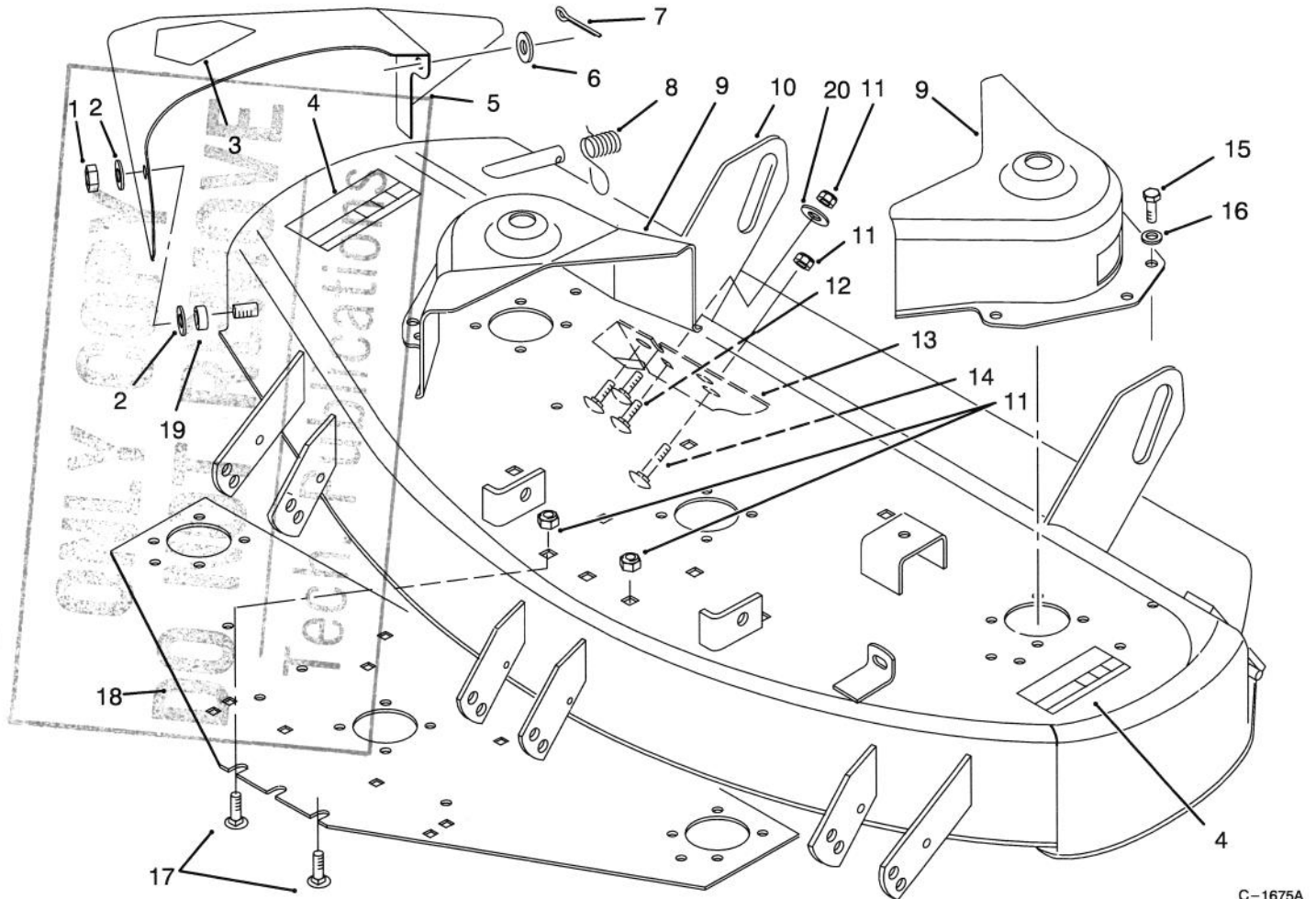


TORO[®]

MODEL NO. 78231-490001 & UP

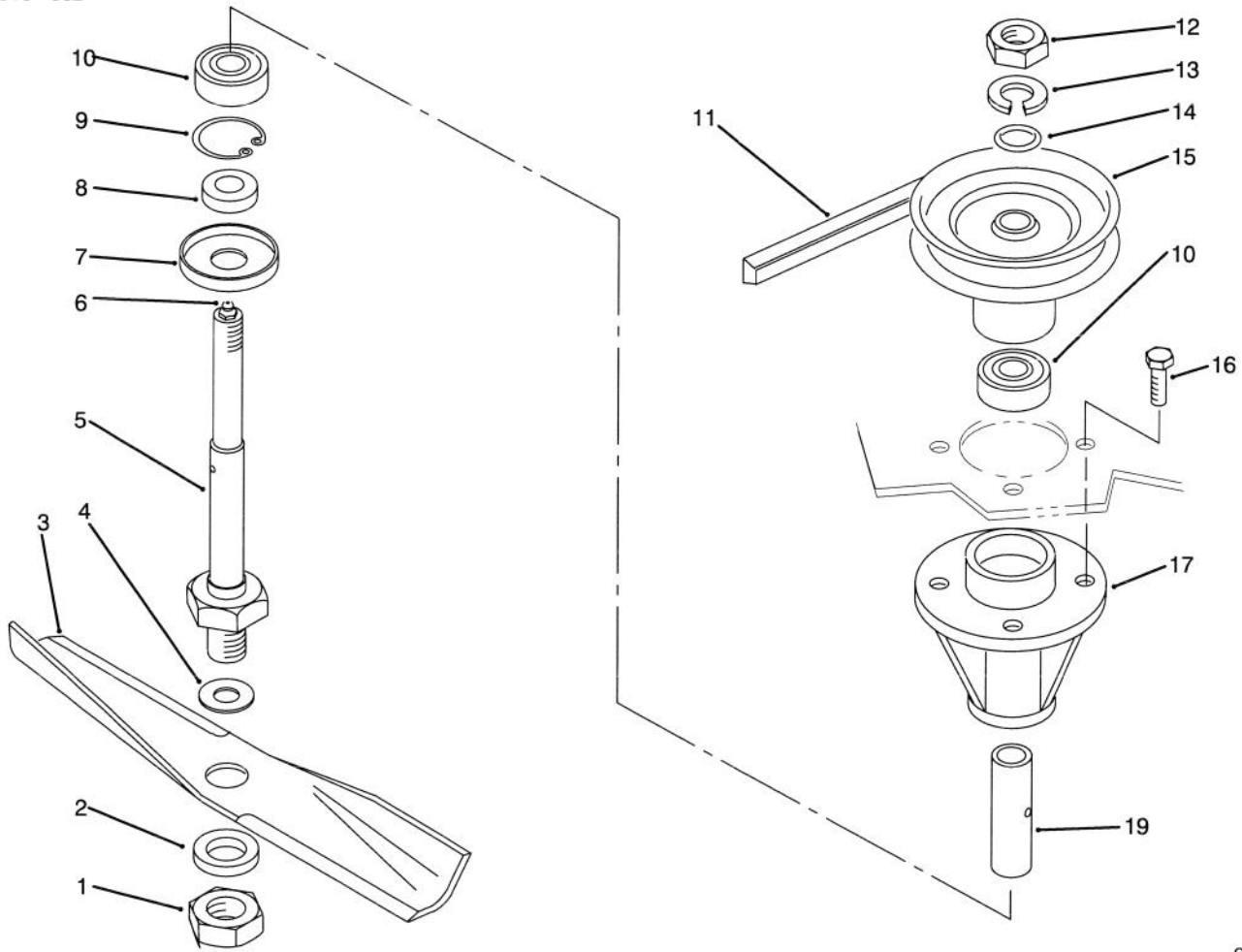
**PARTS
CATALOG****42" MOWER**
for Wheel Horse[®] Yard & Garden Tractor

C-1675A

DECK ASSEMBLY

Ref. No.	Part No.	Description	Qty.
1	9152366	Nut - Jam	1
2	116083	Washer - Nylon	2
3	93-1122	Decal - Danger	1
4	92-7108	Decal - Danger	2
5	88-2750-01	Chute/Decal Assembly (Incl. Ref. #3)	1
6	3256-26	Washer - Flat	1
7	3272-10	Pin - Cotter	1
8	116082	Spring - Deflector	1
9	78-6891	Cover - Belt	2
10	92-8014-01	Deck/Safety Decal Assy. (Incl. Ref. #4, pg. 1 & Ref. #21, pg. 3)	1

Ref. No.	Part No.	Description	Qty.
11	3296-39	Nut - Lock	9
12	3231-22	Bolt - Carriage	3
13	79-2831-03	Wear Plate - R.H.	1
14	3231-5	Bolt - Carriage	2
15	32144-4	Screw - Cap Hex. Hd.	6
16	3256-22	Washer - Flat	6
17	3231-1	Bolt - Carriage	4
18	78-8530-03	Plate - Reinforcement	1
19	116080	Bushing	1
20	3256-24	Washer - Flat	2

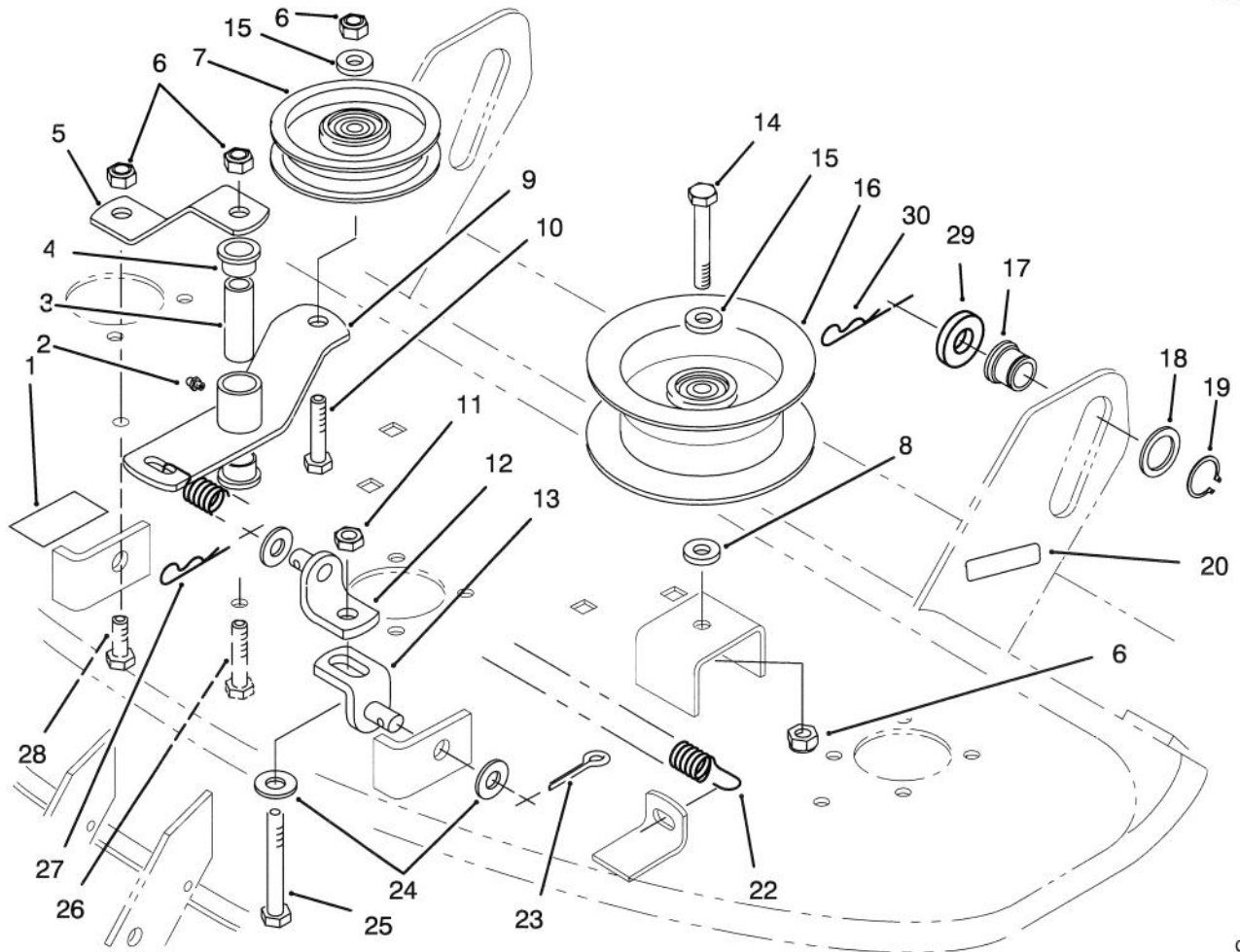


C-1643

SPINDLE ASSEMBLY

Ref. No.	Part No.	Description	Qty.
1	3220-7	Nut - Hex.	1
2	3256-28	Washer - Flat	1
3	106636	Kit - Blade (Set of 3)	1
4	920257	Washer	1
5	78-6710	Shaft - Spindle	1
6	302-5	Fitting - Grease	1
7	106067	Cup - Spindle	1
8	106068	Spacer	1
9	32120-42	Ring - Retaining	1

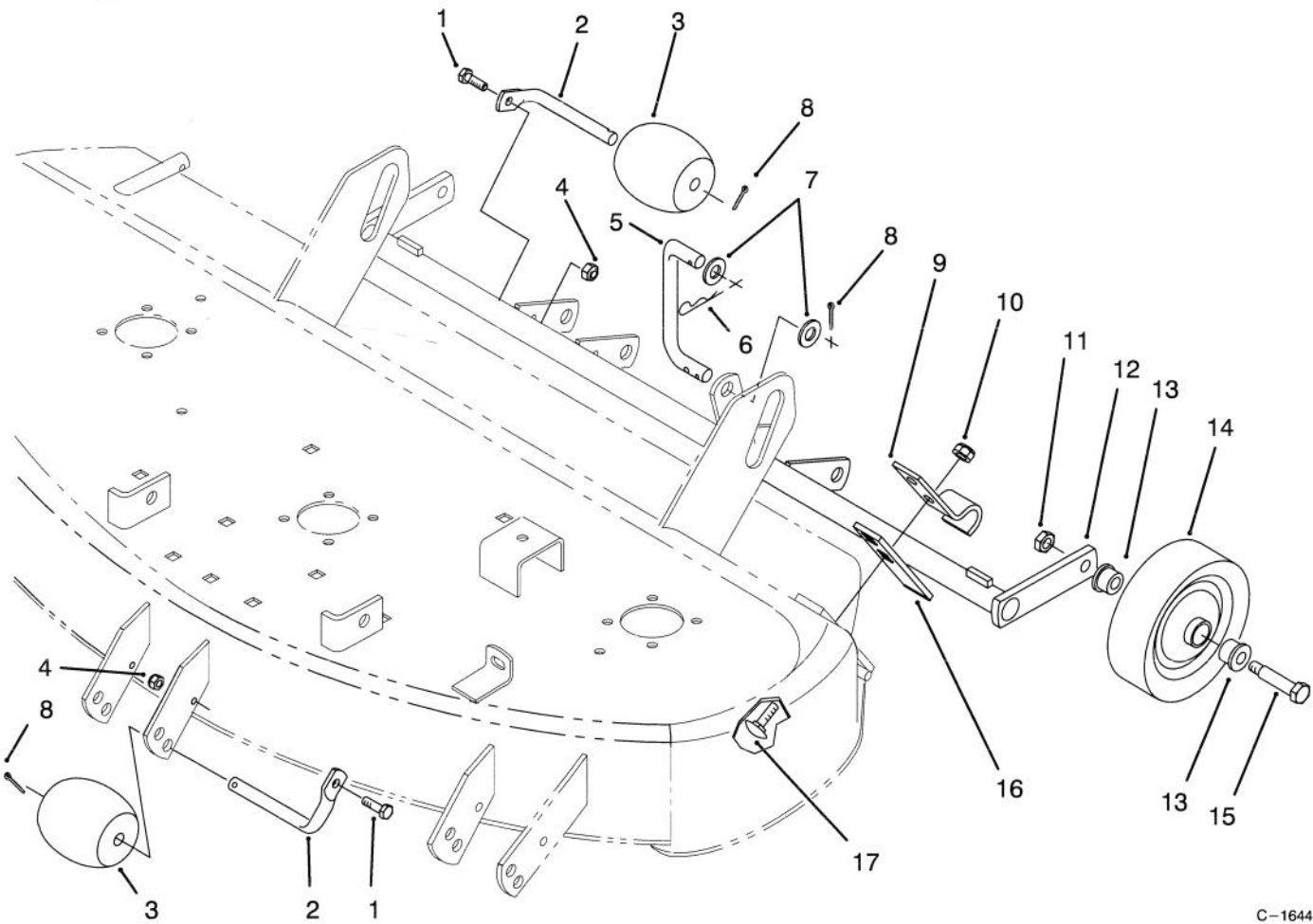
Ref. No.	Part No.	Description	Qty.
10	109966	Bearing	2
11	78-6240	V-Belt	1
12	3220-6	Nut - Hex.	1
13	3253-8	Washer - Lock	1
14	971015	O-Ring	1
15	92-7080	Pulley - Spindle	1
16	9080326	Screw - Cap Hex. Hd.	4
17	114568	Housing - Spindle	1
19	116085	Spacer	1



PULLEYS & IDLER ARM ASSEMBLY

Ref. No.	Part No.	Description	Qty.	Ref. No.	Part No.	Description	Qty.
1	116286	Decal - Belt Routing	1	15	3256-24	Washer	2
2	302-26	Fitting - Grease	1	16	92-7082	Pulley - Idler	1
3	79-2760	Spacer	1	17	78-7340	Roller - Lift	2
4	109859	Bushing	2	18	920239	Washer	2
5	78-3140-03	Strap - Brace	1	19	32151-29	Ring - Retaining	2
6	3296-39	Nut - Lock	4	20	93-0322	Decal, Attach-A-Matic	2
7	92-7084	Pulley - Idler	1	22	116172	Spring - Extension	1
8	2844	Washer - Flat	1	23	3272-21	Pin - Cotter	1
9	78-3150-03	Arm W.A. - Idler	1	24	3256-26	Washer - Flat	3
10	323-9	Screw - Cap Hex. Hd.	1	25	325-13	Screw - Cap Hex. Hd.	1
11	3218-5	Nut - Hex.	1	26	323-14	Screw - Cap Hex. Hd.	1
12*	86-9250	Bracket W.A. - Lift, Upper	1	27	933506	Hiarpin - Cotter	1
13*	86-9240	Bracket W.A. - Lift, Lower	1	28	323-6	Screw - Cap Hex. Hd.	1
14	323-11	Screw - Cap Hex. Hd.	1	29	3256-28	Washer - Flat	2
				30	933507	Pin - Cotter Hair	2

* Illustrated on left-hand side; used on right-hand side only.



C-1644

GAGE WHEEL & ROLLER ASSEMBLY

Ref. No.	Part No.	Description	Qty.
1	321-4	Screw - Cap Hex. Hd.	5
2	118960	Shaft - Roller	5
3	29-4820	Roller	5
4	3296-42	Nut - Lock	5
5	79-5380	Link - Rear	1
6	933506	Hairpin - Cotter	2
7	3256-26	Washer - Flat	2
8	3272-21	Pin - Cotter	6
9	110837	Clamp	2
10	3296-39	Nut - Lock	2

Ref. No.	Part No.	Description	Qty.
11	32146-2	Nut - Hex.	2
12	79-4140-03	Support W.A. - Wheel, Gage	1
13	5306	Bushing	4
14	110506	Assembly - Wheel (Incl. Ref.# 13)	2
15	5188	Bolt - Wheel	2
16	110838	Bar	2
17	3231-4	Bolt - Carriage	2