



XL 440H Lawn Tractor

Model No. 71253 - 280000001 and up.

Parts Catalog

Ordering Replacement Parts

To order replacement parts, please supply the part number, the quantity, and the description of each part desired.

Understanding Reference Numbers

Each identified part in an illustration has a reference number. The reference number for a part also appears in the parts list, along with other information about the part.

This catalog uses two special reference number formats, one to indicate parts in a service assembly and another to indicate the quantity of a given part in an illustration.

Service Assembly Reference Numbers

Parts in service assemblies have reference numbers in the form a:b. The a represents the reference number of the entire service assembly and the b represents a sequential number unique to each part within the service assembly.

For example, a wheel assembly might be identified by reference number 6, the tire by 6:1, the valve by 6:2, and the wheel by 6:3. When you order the assembly identified by reference number 6, you receive all parts identified by reference numbers 6:1, 6:2, and 6:3. However, you may also order any part individually. Reference numbers of this type appear in illustrations and in part lists.

Reference Numbers Indicating Quantity

In an illustration, if a reference number indicates more than one part, the reference number has the form nX y. The n represents the quantity of the part, the X is the multiplication symbol, and the y represents the reference number.

For example, in an illustration, the reference number 2X 37 means that two of the parts identified by reference number 37 are indicated.

Contents

Description	Page	Description	Page
Frame and Body Assembly	3	Cylinder Head Assembly Briggs and Stratton Model 31P777-0133-E1	19
Hood and Tower Assembly	4	Crankshaft Assembly Briggs and Stratton Model 31P777-0133-E1	20
Rear Body and Seat Assembly	5	Crankcase Assembly Briggs and Stratton Model 31P777-0133-E1	21
Steering Assembly	6	Carburetor Assembly (Nikki) Briggs and Stratton Model 31P777-0133-E1	22
Fixed Steering Assembly	7	Governor Assembly Briggs and Stratton Model 31P777-0133-E1	23
Engine Assembly	8	Blower Housing Assembly Briggs and Stratton Model 31P777-0133-E1	24
Traction Brake Assembly	9	Starter Assembly Briggs and Stratton Model 31P777-0133-E1	25
Wheel and Tire Assembly	10	Gasket Set Briggs and Stratton Model 31P777-0133-E1	26
Transaxle Assembly	11	Carburetor Overhaul Kit (Nikki) Briggs and Stratton Model 31P777-0133-E1	27
Side Housing and Bearing Assembly		Attachments and Accessories List	28
Transaxle No. 104-1760	12		
Gear Assembly Transaxle No. 104-1760	13		
Main Housing and Bearing Assembly			
Transaxle No. 104-1760	14		
Transaxle Installation Assembly	15		
Height-of-Cut Assembly	16		
Electrical Assembly	17		
Cylinder Assembly Briggs and Stratton Model 31P777-0133-E1	18		

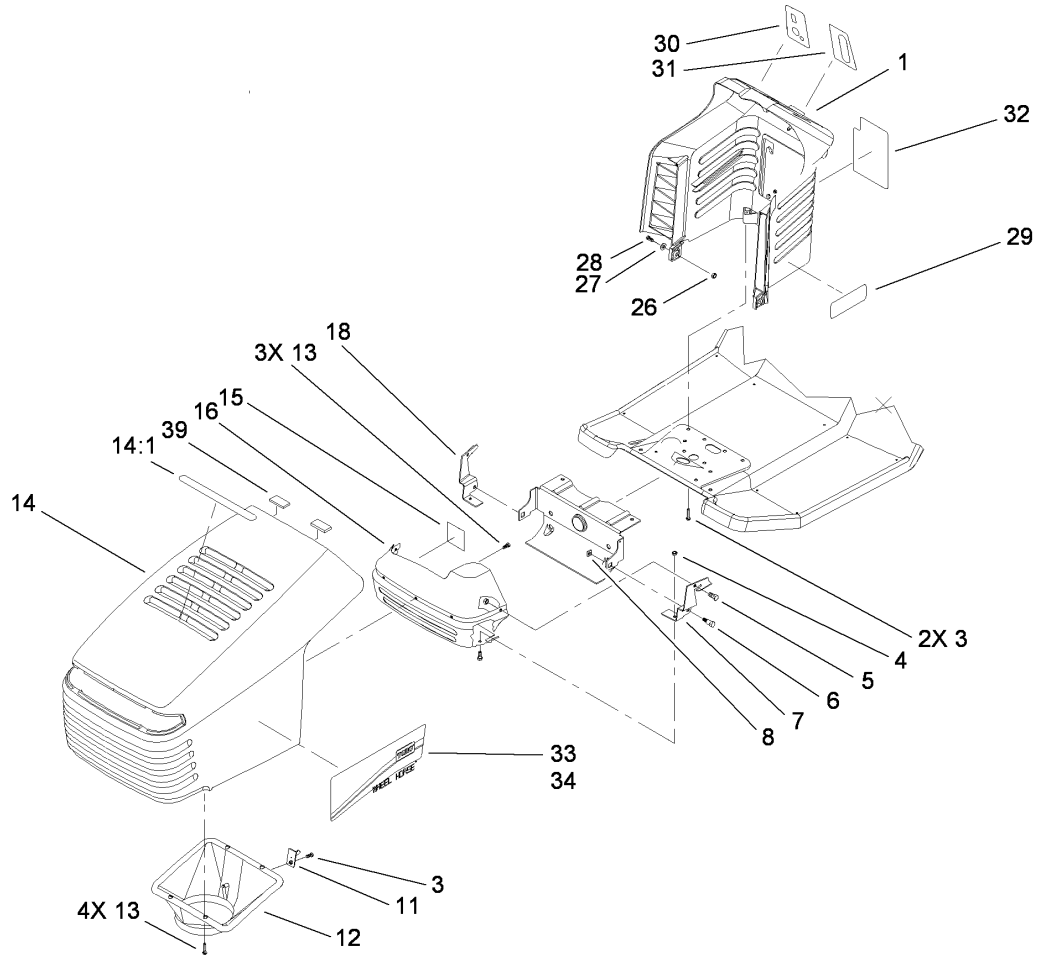
Part Description Abbreviations

Part descriptions in this catalog may include the following abbreviations.

AR. as required	HYD. hydraulic
ASM. assembly	LH. left hand
BBC. blade brake clutch	NI. nylon insert
CARR. carriage	NPTF. national pipe thread fine
DEG. degrees	PFH. phillips flat head
EXT. external	PPH. phillips pan head
FH. flat head	PPHTF. phillips pan head thread forming
GA. gauge	PRH. phillips round head
HD. heavy-duty	PTH. phillips truss head
HF. hex flange	PTO. power-take-off
HH. hex head	RH. right hand
HHF. hex head flange	ROPS. roll-over protection system
HHFTF. hex head flange thread forming	SFH. slotted fillister head
HJ. hex jam	SHH. slotted hex head
HLH. hex lag head	SHWH. slotted hex washer head
HOC. height-of-cut	SPH. slotted pan head
HSBH. hex socket button head	SQH. square head
HSFH. hex socket flat head	SRH. slotted round head
HSH. hex socket head	STD. standard
HWH. hex washer head	TAP. self tapping
HWHTF. hex washer head thread forming	TTH. torx truss head

Footnotes

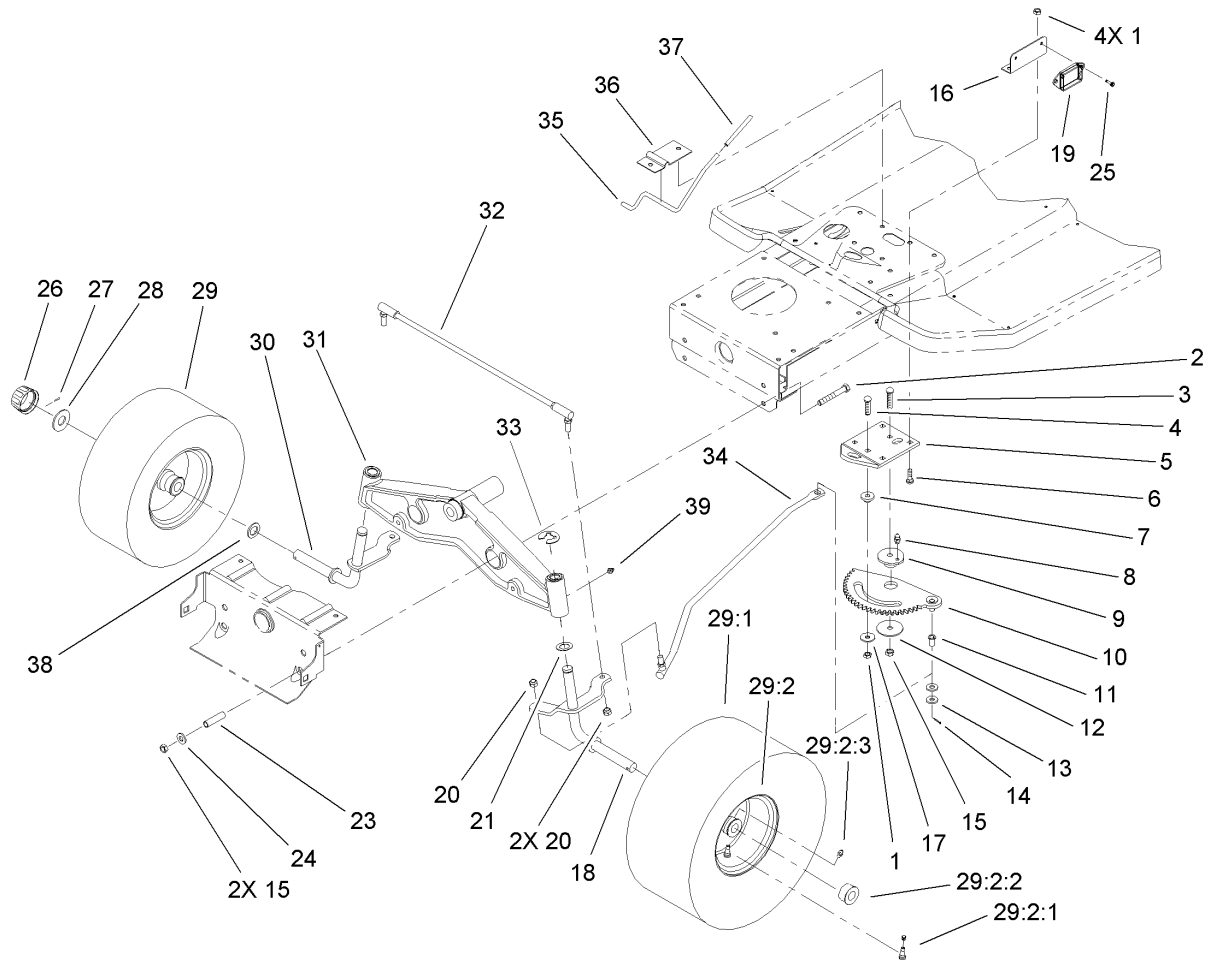
- | | |
|---|--|
| ❶ Not illustrated | ❷ Not serviced separately |
| ❸ Obtain from your local Briggs & Stratton dealer | ❹ Included in Carburetor Overhaul Kit (Ref. No. 121) |
| ❺ Included in Engine Gasket Set (Ref. No. 358) | ❻ Included in Carburetor Gasket Set (Ref. No. 977) |
| ❽ Included in Valve Gasket Set (Ref. No. 1095) | |



Hood and Tower Assembly

Ref	Part No.	Qty.	Description
1	107-4920	1	Tower-Steering
3	46-8091	3	Screw-HWH
4	3296-42	4	Nut-Lock, NI
5	321-2	4	Screw-HH
6	28-0540	2	Bolt-Shoulder
7	88-6050-03	1	Bracket-Pivot, LH Hood
8	3290-496	2	Nut-Retainer
11	94-1984	1	Latch-Pin
12	93-3891	1	Duct-Air, Hood
13	46-8090	7	Screw-Plastite
14	92-8650	1	Hood ASM
14:1	92-5748	1	Decal
15	92-5782	3	Tape-Foil
16	114-3205-03	1	Grill-Hood Support
18	88-6040-03	1	Bracket-Pivot, RH Hood
26	3296-29	2	Nut-Lock, NI
27	3256-23	2	Washer-Flat
28	322-3	2	Screw-HH
29	108-7805	2	Decal
30	99-8141	1	Decal-Ignition/Lights
31	92-5730	1	Decal-Throttle/Choke
32	107-4922	1	Decal-Danger
33	105-2497	1	Decal-Hood
34	105-2496	1	Decal-Hood

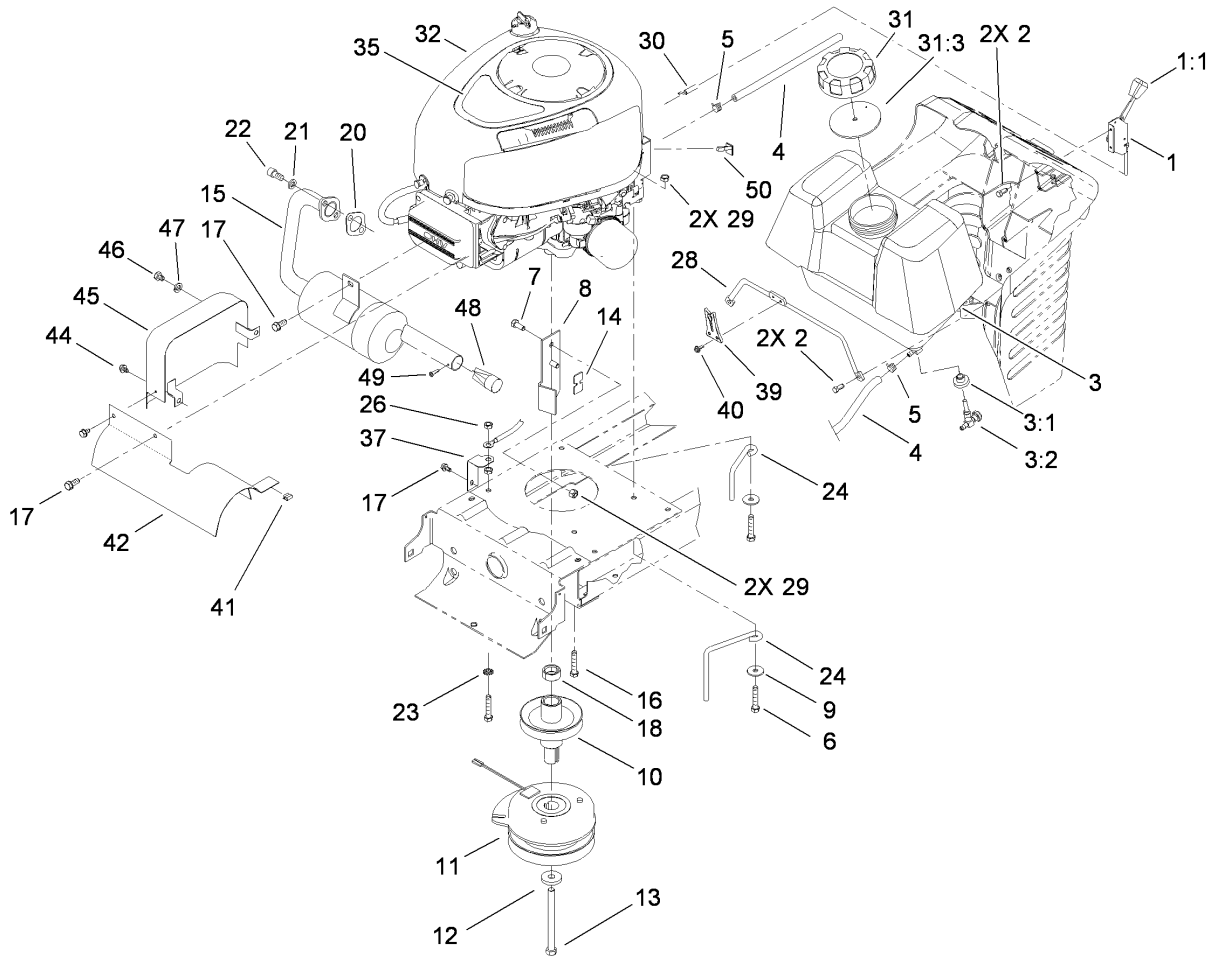
Ref	Part No.	Qty.	Description
39	94-1980	2	Foam-Hood



Steering Assembly

Ref	Part No.	Qty.	Description
1	3296-29	5	Nut-Lock, NI
2	323-13	2	Screw-HH
3	3231-4	1	Screw-CARR
4	3230-3	1	Screw-CARR
5	88-5130-03	1	Bracket-Rack, Steering
6	3230-2	4	Bolt-CARR
7	88-5010	1	Spacer-Rack, Steering
8	302-26	1	Fitting-Grease
9	88-4670	1	Bushing-Eccentric
10	88-5200	1	Rack-Steering
11	52-2891	1	Bushing-Flanged, Nylon
12	111419	1	Washer-Bearing
13	3256-25	2	Washer-Flat
14	3272-10	1	Pin-Cotter
15	3296-39	3	Nut-Lock, NI
16	99-2956-03	1	Bracket-Module
17	5-4460	1	Washer-Pivot
18	93-3833-03	1	Spindle-LH
19	99-3701	1	Module-Clutch
20	3296-5	3	Nut-Lock
21	3-6498	2	Washer-Thrust
23	88-5470	2	Spacer
24	3256-24	2	Washer-Flat
25	9266714	2	Screw-HWH

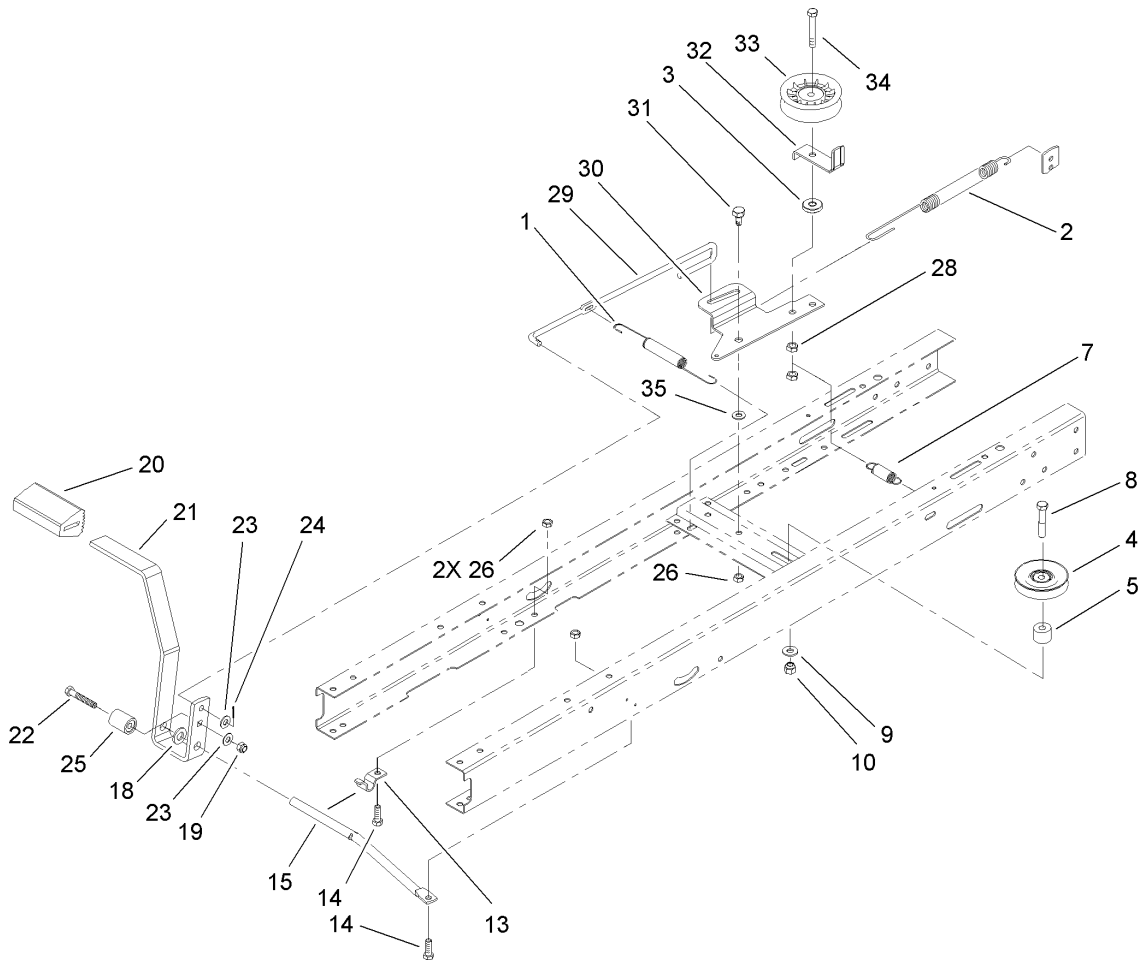
Ref	Part No.	Qty.	Description
26	61-9780	2	Cap-Hub
27	3272-12	2	Pin-Cotter
28	28-2480	2	Washer-Plain
29		2	Front Wheel And Tire ASM
29:1	99-2988	1	Tire
29:2	99-6829	1	Rim ASM
29:2:1	232-27	1	Stem-Valve
29:2:2	110513	2	Bearing-Wheel
29:2:3	302-5	1	Fitting-Grease
29:3	232-39	1	Tube-Inner
30	92-7889-03	1	RH Spindle ASM
31	99-2955-03	1	Axle-Front
32	93-3873	1	Tie Rod ASM
33	32151-48	2	E-Ring
34	93-3840	1	Link-Drag
35	88-5510	1	Rod-Brake, Parking
36	88-5520-03	1	Bracket-Parking Brake
37	88-0890	1	Grip-Brake, Parking
38	3-6498	4	Washer-Thrust
39	302-5	2	Fitting-Grease



Engine Assembly

Ref	Part No.	Qty.	Description
1	88-4340	1	Throttle Control ASM
1:1	66-0120	1	Knob
2	27-0220	4	Screw-Special
3	88-3880	1	Gas Tank ASM
3:1	46-6560	1	Bushing
3:2	104048	1	Valve-Fuel
4	107-9297	1	Hose-Fuel
5	2412-98	2	Clamp
6	322-9	3	Screw-HH
7	322-3	2	Screw-HH
8	107-4914-03	1	Stop-Clutch
9	5-4460	2	Washer-Pivot
10	107-4916	1	Pulley-Engine
11	108-9511	1	Clutch-PTO, Electric
12	112843	1	Washer
13	3212-19	1	Screw-HH
14	98-5023	1	Bumpon
15	99-6845	1	Muffler
16	9267154	1	Screw-HWH
17	9266714	3	Screw-HWH
18	114-3292	1	Spacer
20	88-4410	1	Gasket-Exhaust
21	3253-4	2	Washer-Lock
22	3274-10	2	Screw-HSH

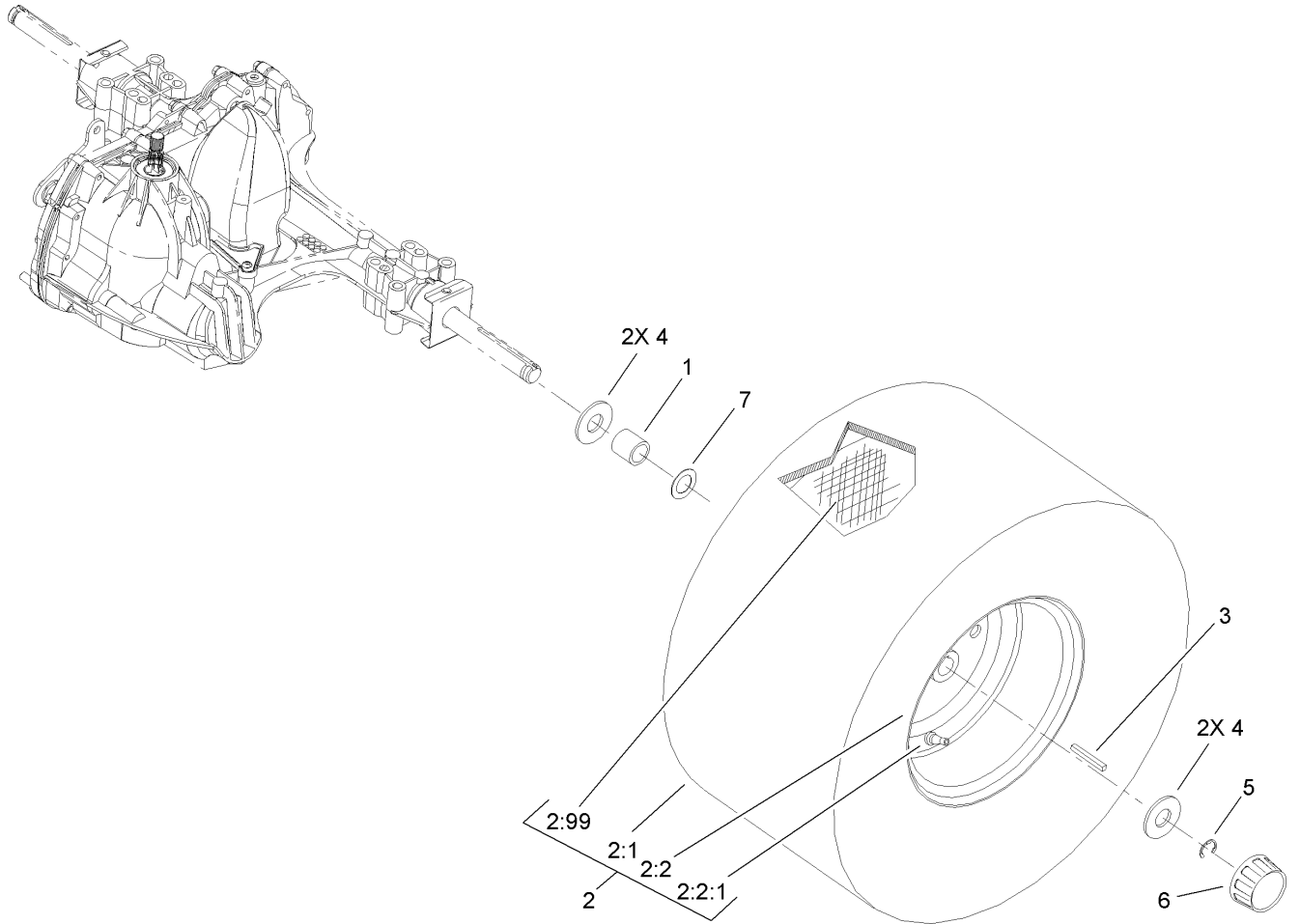
Ref	Part No.	Qty.	Description
23	3255-8	1	Washer-Lock
24	93-3855	2	Guide-Belt, RH
26	32149-1	2	Nut-Keps
28	94-1952	1	Rod-Tank, Gas
29	3296-29	4	Nut-Lock, NI
30	88-4350	1	Throttle Cable ASM
31	88-3980	1	Gas Cap ASM
31:3	88-4010	1	Gasket-Cap, Gas
32		1	Engine-Briggs & Stratton, 31P777-0133-E1
35	112-4775	1	Decal-Engine
37	93-3809	1	Bracket-Ground
39	94-1951	1	Latch-Hood
40	32144-112	2	Screw-HWH
41	93-3882	1	Clip-Tinnerman
42	114-3170-03	1	Exhaust Shield ASM
44	32104-76	2	Screw
45	93-8450-03	1	Heat Shield ASM
46	322-3	1	Screw-HH
47	3253-4	1	Washer-Lock
48	93-9911	1	Screen-Silencer, Exhaust
49	32144-42	1	Screw-HH
50	88-4490	1	Reducer-Throttle, Rpm



Traction Brake Assembly

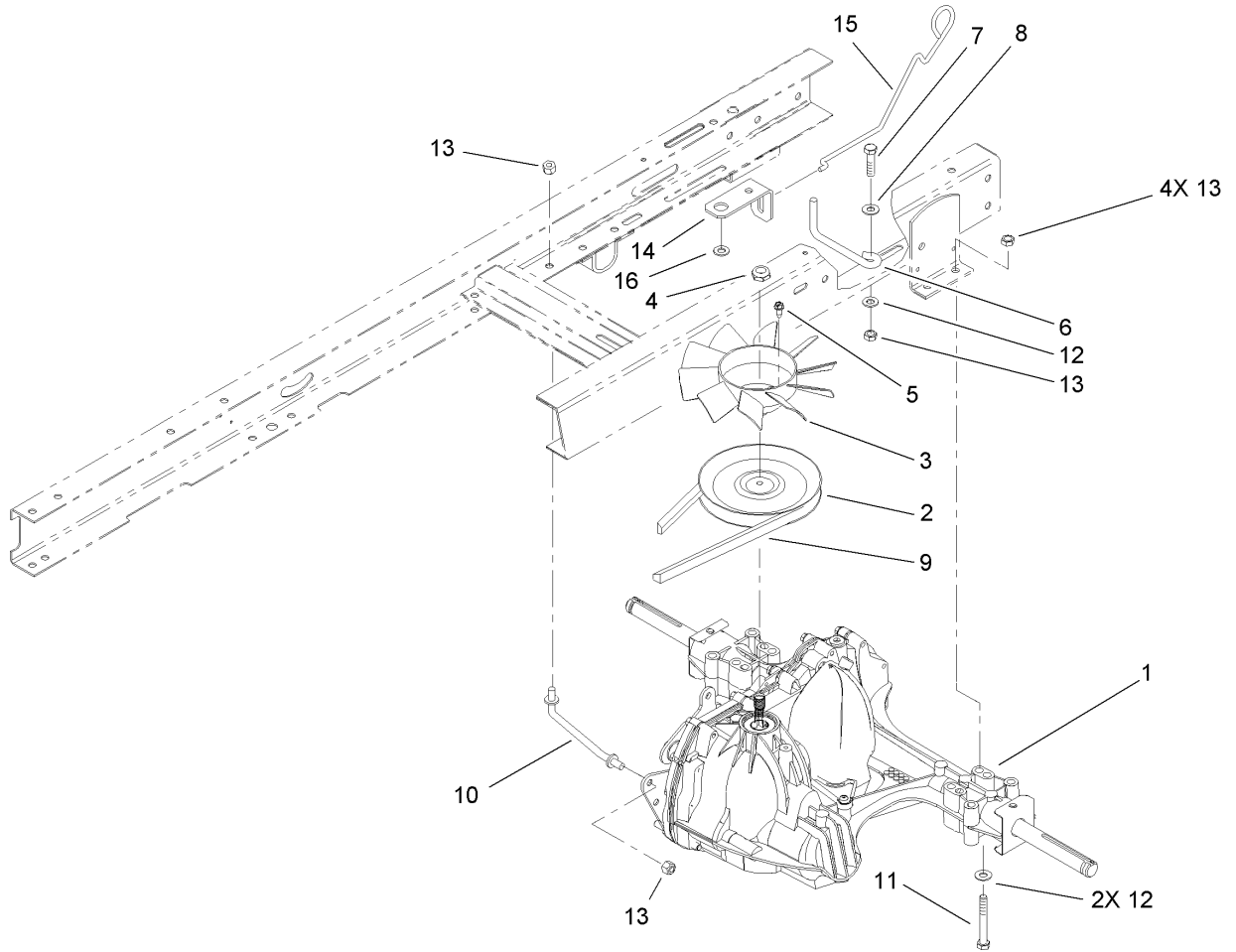
Ref	Part No.	Qty.	Description
1	27-8890	1	Spring-Return
2	100-7422	1	Spring-Brake
3	92-4890	1	Washer
4	92-7102	1	Pulley-Idler
5	92-5791	1	Spacer
7	88-6330	1	Spring-Extension
8	323-10	1	Screw-HH
9	3256-3	1	Washer-Flat
10	3296-39	1	Nut-Lock, NI
13	88-4810	1	Clamp-Pivot, Shift
14	322-3	2	Screw-HH
15	88-5500	1	Rod-Pivot, Pedal
18	3256-26	1	Washer-Flat
19	3296-47	1	Nut-Lock, NI
20	65-2920	1	Pad-Pedal
21	88-5000-03	1	Pedal-Clutch/Brake, Hydro
22	322-9	1	Screw-HH
23	3256-23	2	Washer-Flat
24	3272-10	1	Pin-Cotter
25	99-6836	1	Spacer
26	3296-29	3	Nut-Lock, NI
28	3296-59	2	Nut-Lock, NI
29	88-5270	1	Rod-Clutch/Brake
30	88-6070	1	Arm-Idler

Ref	Part No.	Qty.	Description
31	37-8770	1	Bolt-Shoulder
32	88-5560	1	Guide-Idler, Belt
33	104-4160	1	Pulley-Idler
34	323-11	1	Screw-HH
35	5-4460	1	Washer-Pivot



Wheel and Tire Assembly

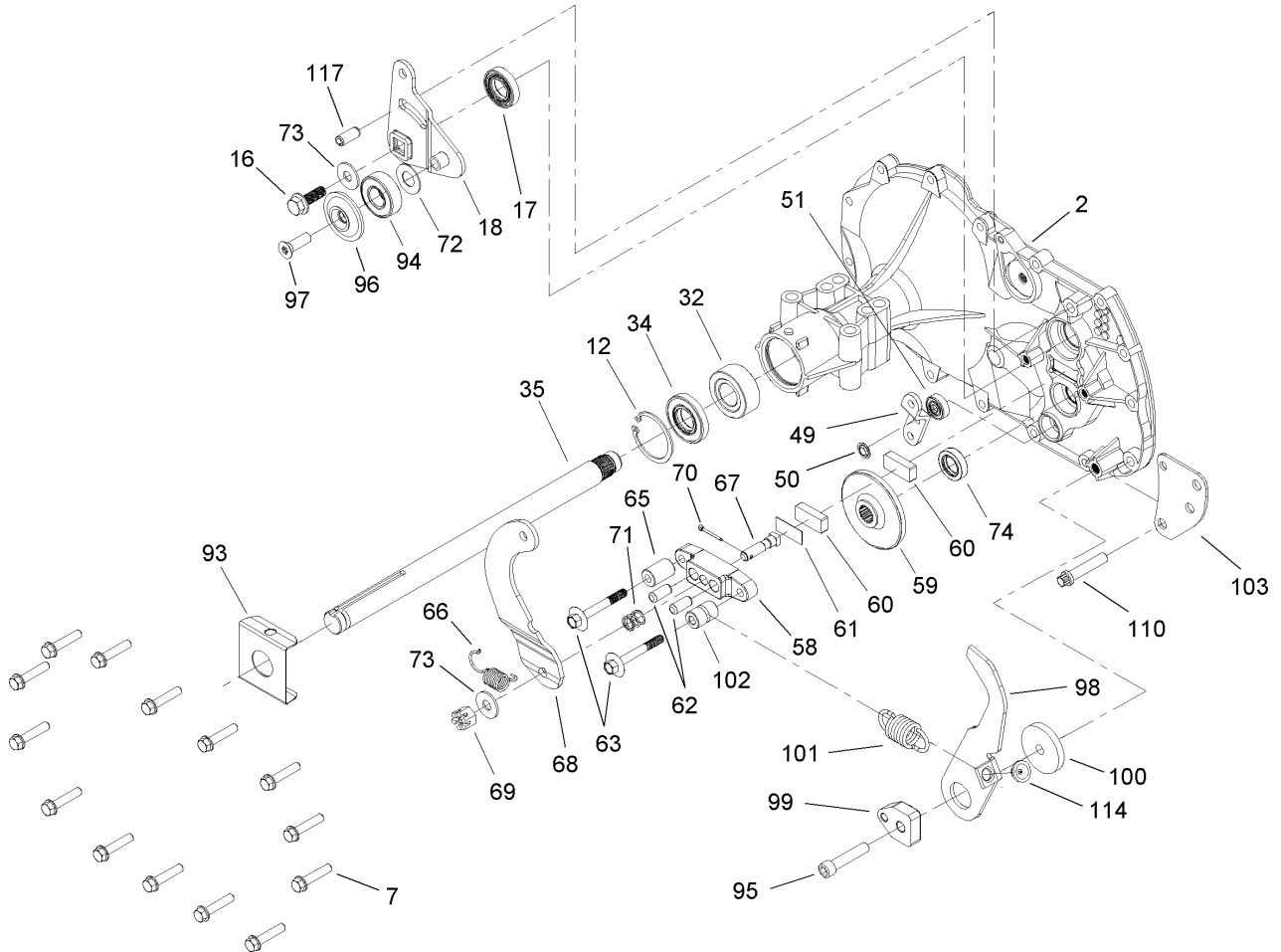
Ref	Part No.	Qty.	Description
1	104-4161	2	Spacer-Wheel
②2		2	Rear Wheel & Tire ASM
2:1	99-2994	1	Tire
2:2	88-4390	1	Rim ASM
2:2:1	232-27	1	Stem-Valve
2:99	93-3893	1	Tube-Inner
3	7-0036	2	Key-Square
4	28-2480	4	Washer-Plain
5	32151-48	2	E-Ring
6	61-9780	2	Cap-Hub
7	3-6498	2	Washer-Thrust



Transaxle Assembly

Ref	Part No.	Qty.	Description
1	104-1760	1	Transaxle ASM
2	104-1753	1	Pulley
3	104-2162	1	Fan
4	3296-28	1	Nut-Lock, NI
5	9134304	3	Screw-HWH
6	93-3868	1	Guide-Belt, Transmission
7	322-5	1	Screw-HH
8	5-4460	1	Washer-Pivot
9	88-6250	1	Belt-V
10	100-6225	1	Strap-Torque
11	322-13	4	Screw-HH
12	3256-23	3	Washer-Flat
13	3296-29	7	Nut-Lock, NI
14	100-7406	1	Bracket-Bypass
15	100-7407	1	Rod-Bypass
16	3256-3	1	Washer-Flat

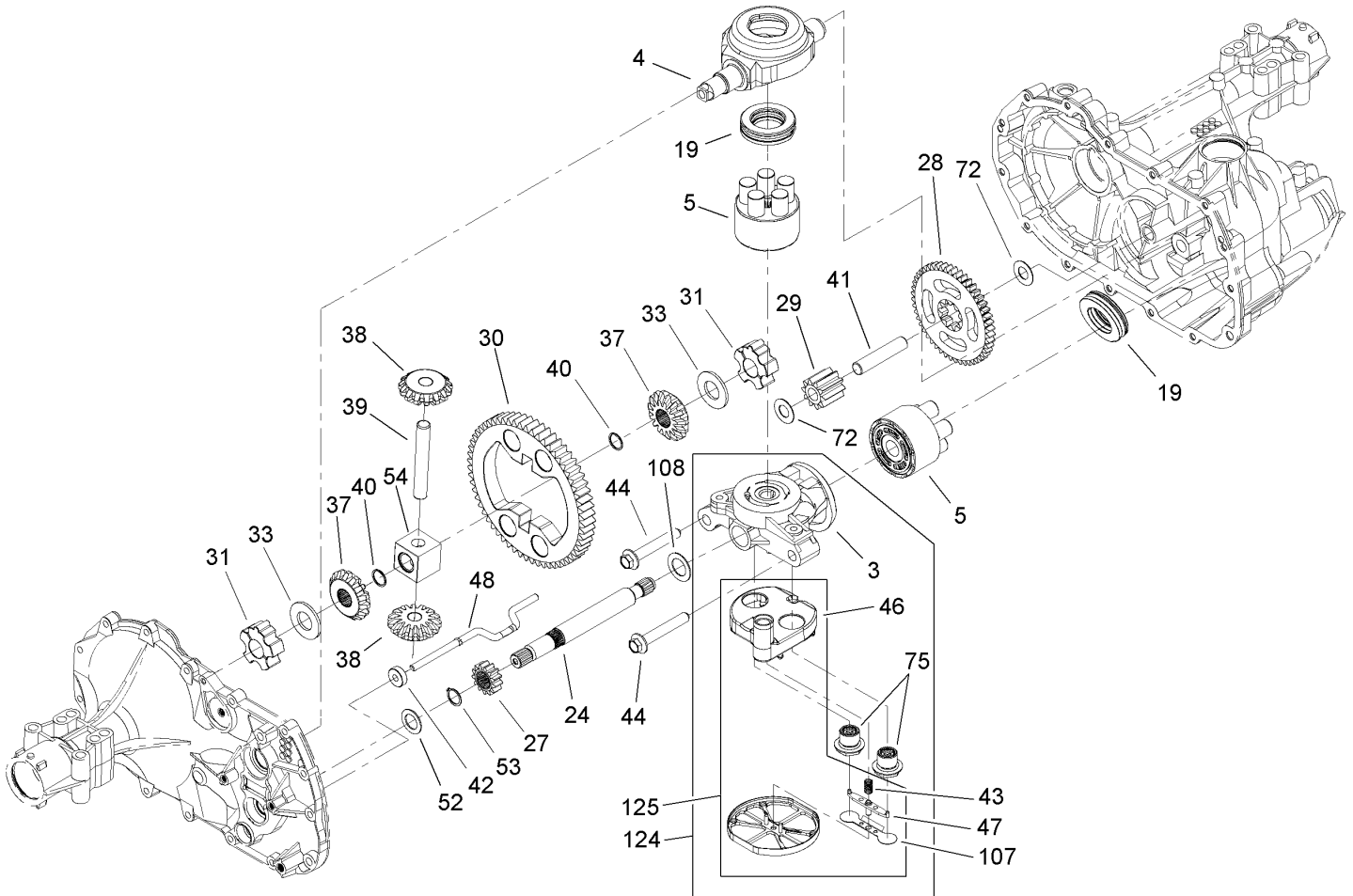
--	--	--	--



Side Housing and Bearing Assembly Transaxle No. 104-1760

Ref	Part No.	Qty.	Description
2	104-5302	1	Side Housing ASM
7	104-5305	14	Screw-HHF
12	104-5309	1	Ring-Retaining
16	104-5312	1	Screw-HF
17	104-5313	1	Seal-Lip
18	104-5314	1	Arm-Control
32	104-5321	1	Bearing-Sleeve, Outboard
34	104-5322	1	Seal-Lip
35	104-5323	1	Shaft-Axle, RH
49	104-5336	1	Arm-Bypass
50	104-5337	1	Ring-Retaining
51	104-5338	1	Seal-Lip
58	104-5343	1	Yoke-Brake
59	104-5344	1	Rotor-Brake
60	104-2171	2	Puck-Brake
61	104-2181	1	Puck-Plate
62	104-2176	2	Pin-Brake
63	104-5345	2	Screw-HF
65	104-2180	1	Spacer
66	104-2184	1	Spring-Arm, Brake
67	104-2174	1	Bolt-SQH
68	104-5346	1	Arm-Brake
69	93-3807	1	Nut-Castle
70	3272-7	1	Pin-Cotter

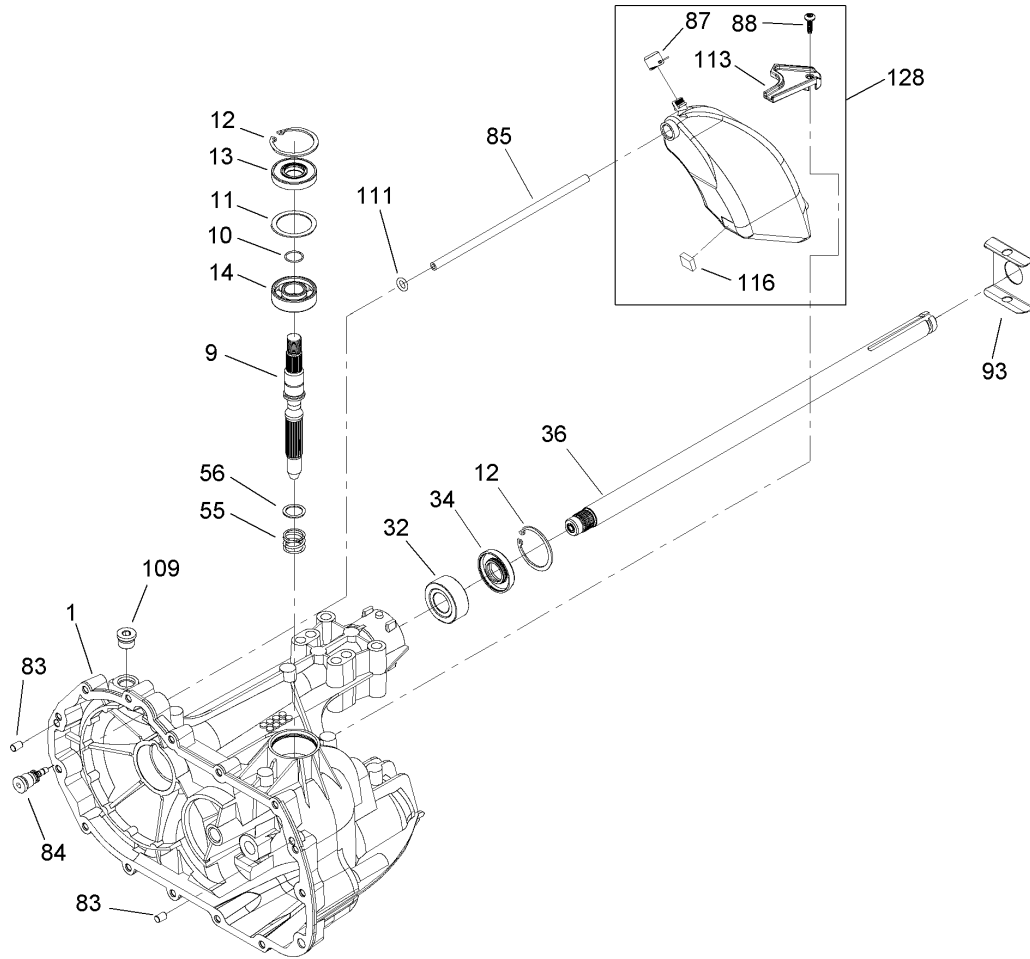
Ref	Part No.	Qty.	Description
71	104-2188	1	Spring-Brake, Anti Drag
72	94-1933	1	Washer
73	5-4460	2	Washer-Pivot
74	104-5347	1	Seal-Oil
93	104-5353	1	Clip-Spring
94	104-2156	1	Bearing
95	104-2155	1	Screw
96	104-2157	1	Spacer-Locating
97	104-2158	1	Screw-Countersunk
98	104-5354	1	Arm-Return
99	104-2119	1	Puck-Adjusting
100	104-5355	1	Washer
101	104-5356	1	Spring-Extension
102	104-5357	1	Spacer
103	104-5358	1	Bracket-Torque
110	104-2148	1	Screw-TTH
114	104-5363	1	Guide-Spring
117	104-5365	1	Pin-Spring



Gear Assembly Transaxle No. 104-1760

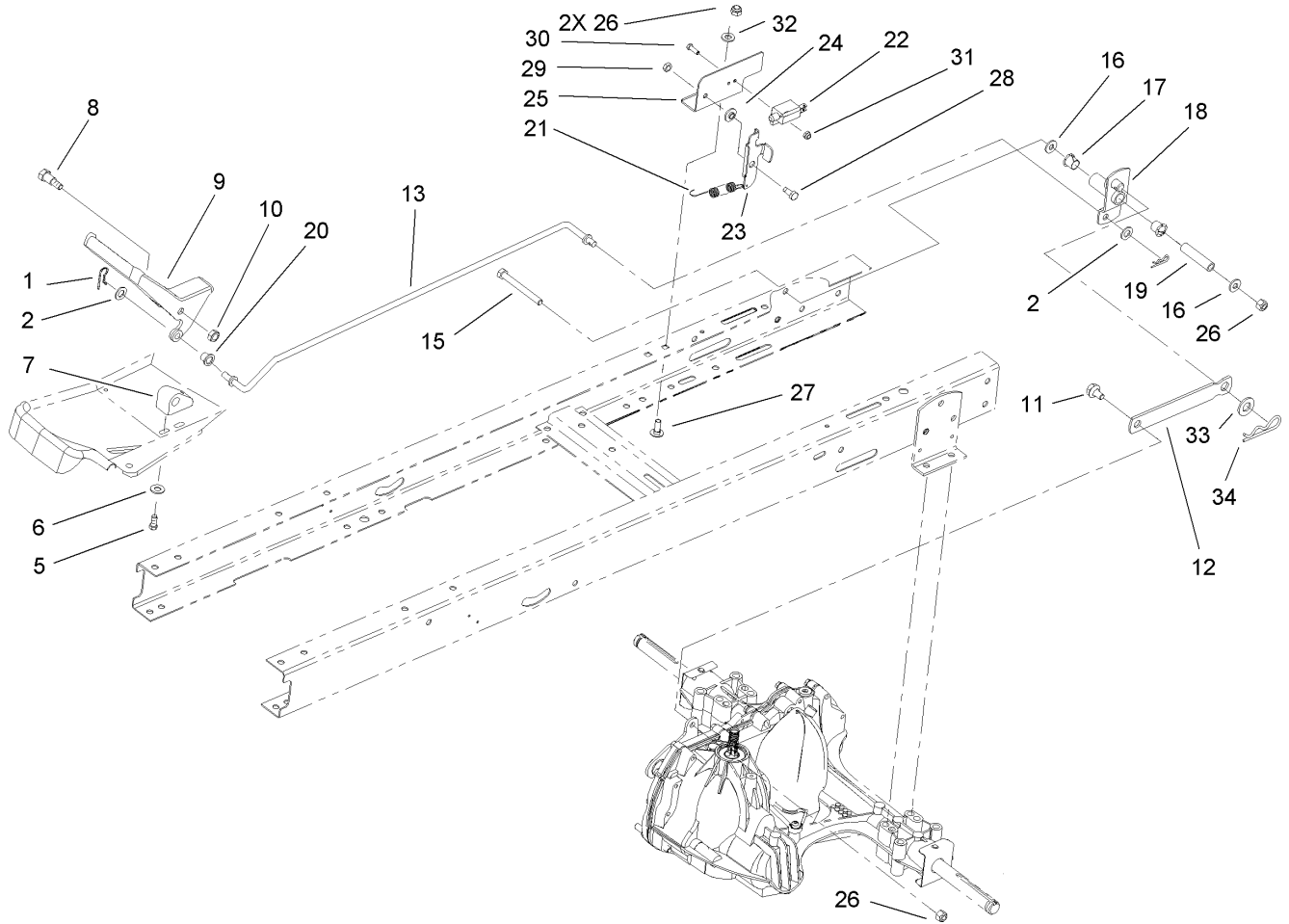
Ref	Part No.	Qty.	Description
3	104-5303	1	Center Section ASM
4	104-5304	1	Swashplate-Trunnion
5	104-2106	2	Cylinder Block ASM
19	94-6922	2	Bearing-Thrust
24	104-5315	1	Shaft-Motor
27	104-5316	1	Gear-Pinion, 13T
28	104-5317	1	Gear
29	104-5318	1	Gear-Jackshaft, 10T
30	104-5319	1	Gear-Bull 60T
31	104-5320	2	Bearing-Sleeve
33	94-1943	2	Washer
37	104-5325	2	Gear-Miter
38	104-5326	2	Gear-Miter 15T
39	104-5327	1	Shaft
40	104-5328	2	Ring-Retaining, Spiral
41	104-5329	1	Pin-Jackshaft
42	104-5330	1	Magnet-Ring
43	104-5331	1	Spring-Bypass
44	94-6926	2	Bolt
46	104-5333	1	Base-Filter
47	104-5334	1	Actuator-Bypass
48	104-5335	1	Rod-Actuator, Bypass
52	104-5339	1	Washer-Flat
53	104-5340	1	Ring-Retaining

Ref	Part No.	Qty.	Description
54	104-5341	1	Bearing-Block, Center
72	94-1933	2	Washer
75	104-5348	2	Check Plug ASM
107	104-5359	1	Deflector
108	104-5360	1	Washer-Shaft, Motor
124	106-6522	1	Center Section Filter Bypass ASM
125	106-6523	1	Filter ASM
● 127	104-5368	1	Seal Kit



Main Housing and Bearing Assembly Transaxle No. 104-1760

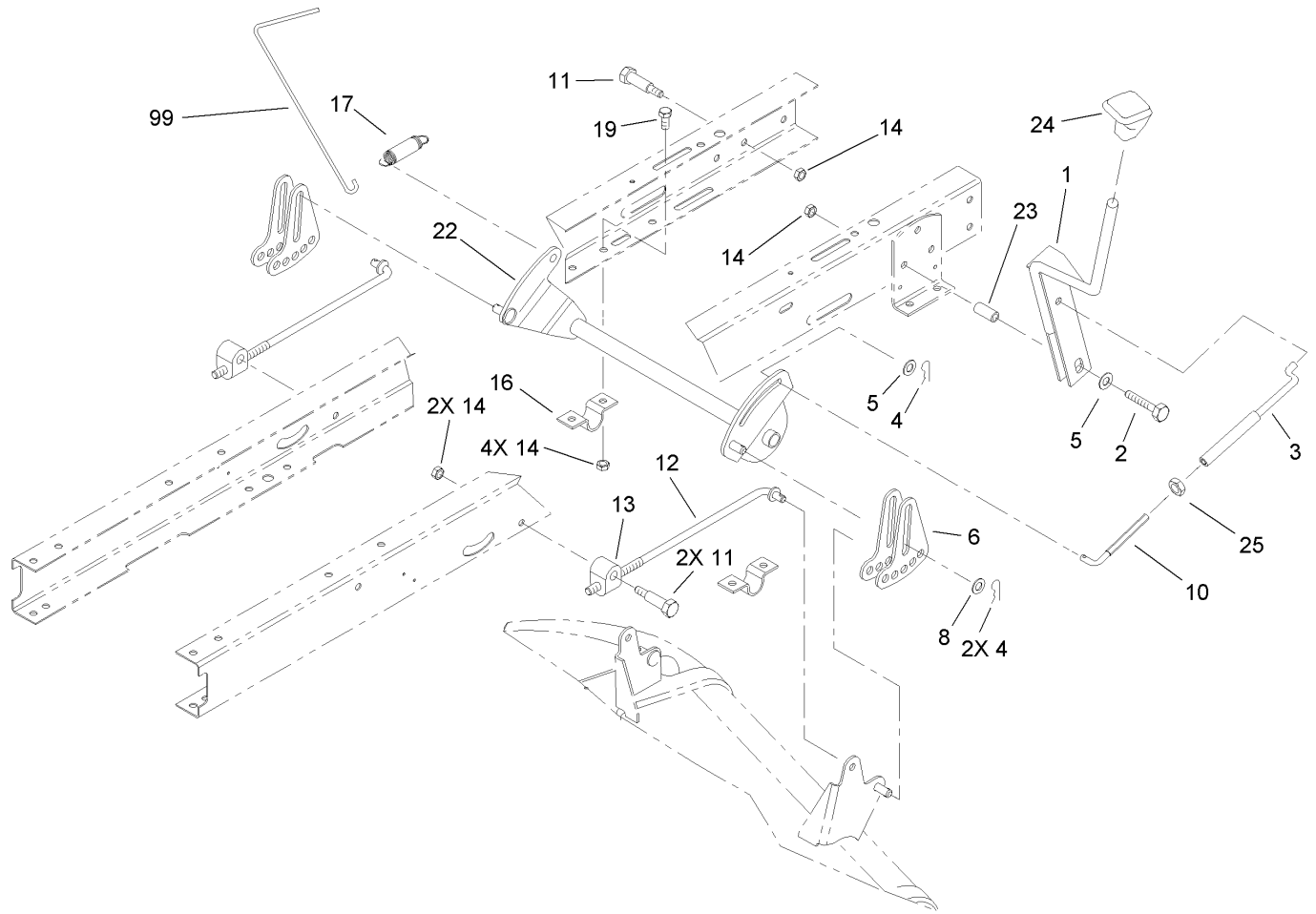
Ref	Part No.	Qty.	Description
1	104-5301	1	Main Housing ASM
9	104-5306	1	Shaft-Input
10	104-5307	1	Ring-Retaining
11	104-5308	1	Spacer
12	104-5309	2	Ring-Retaining
13	104-5310	1	Seal-Lip
14	104-5311	1	Bearing-Ball
32	104-5321	1	Bearing-Sleeve, Outboard
34	104-5322	1	Seal-Lip
36	104-5324	1	Shaft-Axle, LH
55	94-1936	1	Spring-Block
56	94-1937	1	Washer-Thrust, Block
83	104-2170	2	Pin
84	104-5349	1	Fitting-Sae
85	104-5350	1	Hose-Expansion, Tank
87	104-5351	1	Cap-Vent
88	104-5352	1	Bolt-Tapping, Self
93	104-5353	1	Clip-Spring
109	104-2189	1	Plug-Thread, Straight
111	104-5361	1	O-Ring
113	104-5362	1	Bracket-Support
116	104-5364	1	Sponge-Silicone
128	104-5369	1	Expansion Tank Kit



Transaxle Installation Assembly

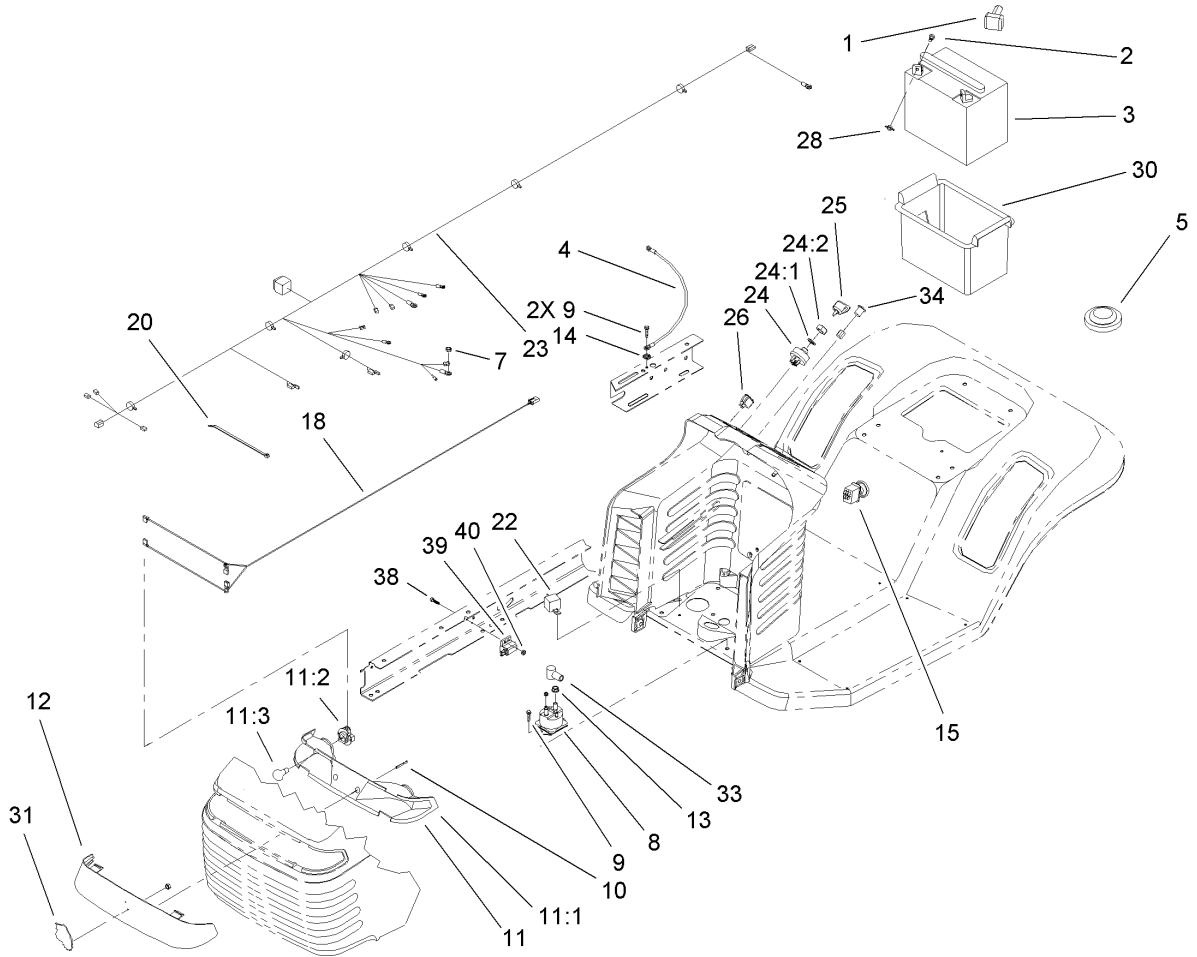
Ref	Part No.	Qty.	Description
1	3290-307	2	Pin-Hair
2	3256-38	2	Washer-Flat
5	46-8090	2	Screw-Plastite
6	3256-22	2	Washer-Flat
7	88-4690	1	Block-Pivot
8	23-0310	1	Screw-Shoulder, HH
9	99-6120-05	1	Pedal-Control, Speed
10	3296-59	1	Nut-Lock, NI
11	37-8770	1	Bolt-Shoulder
12	99-6849	1	Link-Control, Speed
13	99-6839	1	Rod-Control, Speed
15	322-14	1	Screw-HH
16	3256-2	2	Washer-Flat
17	256-257	2	Bushing-Nyliner
18	99-6835-03	1	Pivot ASM
19	99-6832	1	Spacer-Pivot
20	99-6121	1	Bushing-Flanged
21	99-6805	1	Spring-Extension
22	95-1653	1	Switch-Pole, Single
23	99-6807	1	Bracket-Pivot
24	99-6808	1	Washer-Stepped
25	99-6806	1	Bracket-Adjustment
26	3296-29	4	Nut-Lock, NI
27	3230-18	2	Screw-CARR

Ref	Part No.	Qty.	Description
28	99-6810	1	Screw-HH
29	3296-42	1	Nut-Lock, NI
30	3290-392	2	Screw-SHH
31	3296-1	2	Nut-Lock
32	3256-23	2	Washer-Flat
33	3256-26	1	Washer-Flat
34	9335054	1	Pin-Hair



Height-of-Cut Assembly

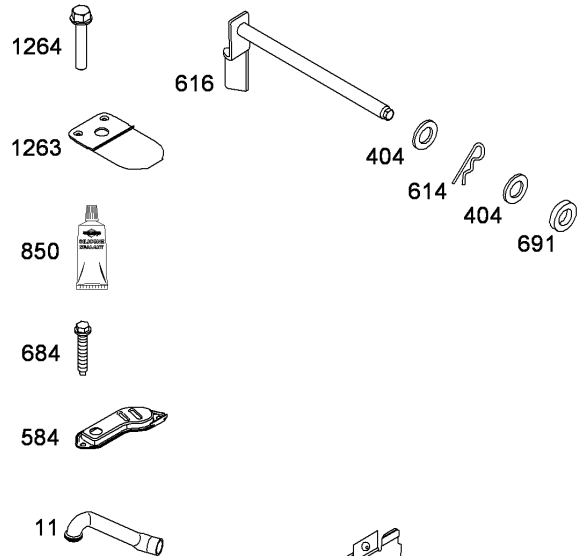
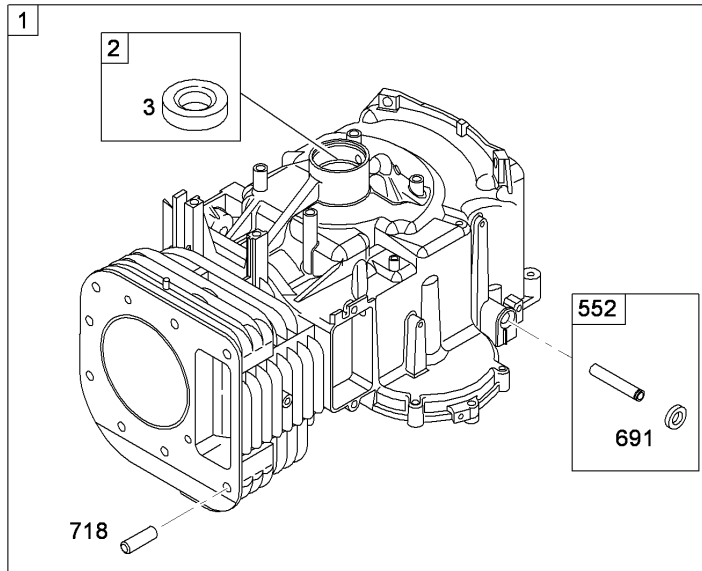
Ref	Part No.	Qty.	Description
1	93-3822-03	1	HOC Lever ASM
2	322-32	1	Screw-HH
3	93-3885	1	Tube
4	3290-307	3	Pin-Hair
5	3256-24	2	Washer-Flat
6	88-5570-03	4	Link-Adjusting, HOC
8	80-6990	2	Washer-Hardened
10	93-3888	1	Link-HOC
11	7-0030	3	Screw-Shoulder, HH
12	88-5450	2	Rod-Hanger, Rear
13	88-4230	2	Trunnion-HOC
14	3296-29	8	Nut-Lock, NI
16	88-4730	2	Clamp-Pivot, HOC
17	93-3808	1	Spring-Extension
19	322-3	4	Screw-HH
22	93-7660-03	1	Pivot-HOC
23	65-7210	1	Spacer
24	94-5565	1	Knob-Shift
25	3218-2	1	Nut-Jam
99	92-5771	1	Rod-Removal, Spring



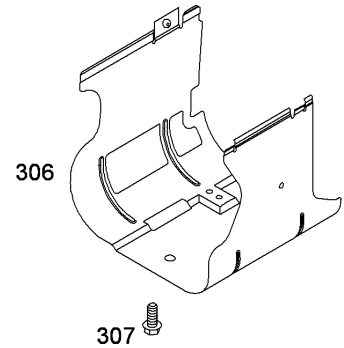
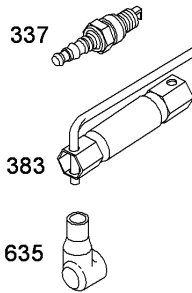
Electrical Assembly

Ref	Part No.	Qty.	Description
1	28-8080	1	Boot-Terminal
2	321-4	2	Screw-HH
3	104-1755	1	Battery-155 Cca
4	44-8110	1	Wire ASM
5	100-3524	1	Switch-Seat
7	32149-2	1	Nut-Keps
8	106-8245	1	Solenoid-Starter
9	9266714	3	Screw-HWH
10	32144-32	2	Screw
11	88-3970	1	Headlight Reflector ASM
11:1	93-8741	1	Reflector-Light
11:2	116262	2	Socket-Headlight
11:3	7228	2	Bulb
12	88-3960	1	Lens-Headlight
13	32149-2	2	Nut-Keps
14	3255-7	2	Washer-Lock/EXT
15	93-9998	1	Switch-PTO
18	99-1935	1	Harness-Headlight
20	614249	1	Strap-Tie
22	98-7249	1	Relay
23	107-4912	1	Harness-Wire
24	88-9830	1	Key Switch ASM
24:1	3254-5	1	Washer-Tooth
24:2	218-461	1	Nut-HH

Ref	Part No.	Qty.	Description
25	63-8360	1	Key-Ignition
26	92-8875	1	Switch-Rocker
28	32103-22	2	Nut-Wing
30	88-4040	1	Box-Battery
31	95-4248	1	Decal
33	93-3190	1	Boot-Insulator, Terminal
34	95-7652	1	Light-Indicator
38	3274-14	2	Screw-HSH
39	65-7410	1	Switch-Pole, Single
40	3296-2	2	Nut-Lock, NI



718



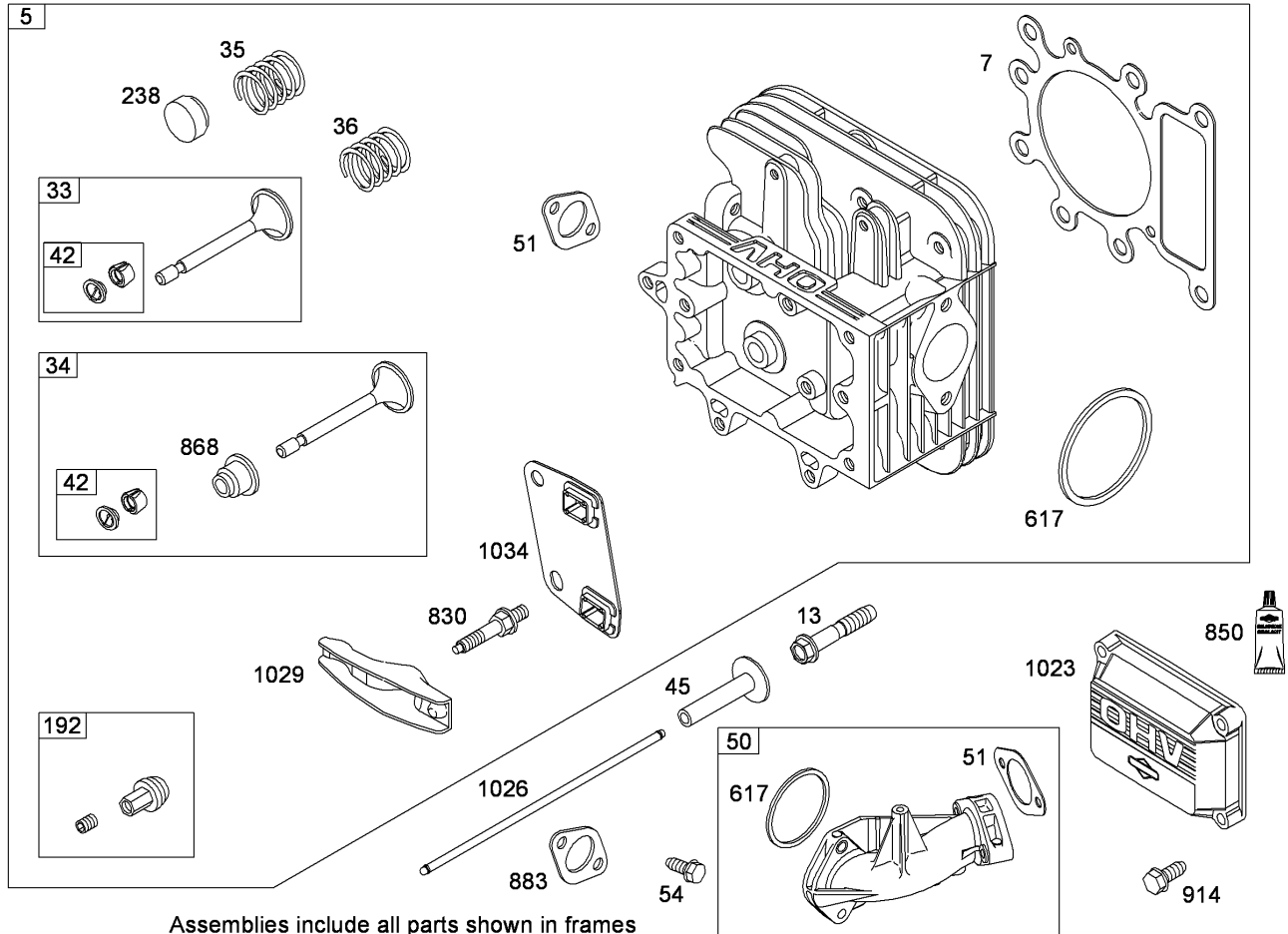
1058 Operator Manual

Assemblies include all parts shown in frames

Cylinder Assembly Briggs and Stratton Model 31P777-0133-E1

Ref	Part No.	Qty.	Description
1	793987	1	Cylinder ASM
2	399265	1	Bushing And Seal Kit (Magneto Side)
3	391086s	1	Seal-Oil (Magneto Side)
11	794683	1	Tube-Breather
48	697762	1	Short Block ASM
306	697107	1	Shield-Cylinder
307	691003	1	Screw (Cylinder Shield)
337	691043	1	Spark Plug
383	89838s	1	Wrench-Spark Plug
404	691691	1	Washer (Governor Crank)
552	697144	1	Bushing-Crank, Governor
584	794682	1	Cover-Passage, Breather
614	691620	1	Pin-Cotter
616	692012	1	Crank-Governor
635	691909	1	Boot-Spark Plug
684	697157	1	Screw (Breather Passage Cover)
691	692407	1	Seal-Shaft, Governor
718	690959	1	Pin-Locating
850	100100	1	Sealant-Liquid
1058	MS3788	1	Manual-Operator
1263	697124	1	Reed-Breather
1264	697104	1	Screw (Breather Reed)

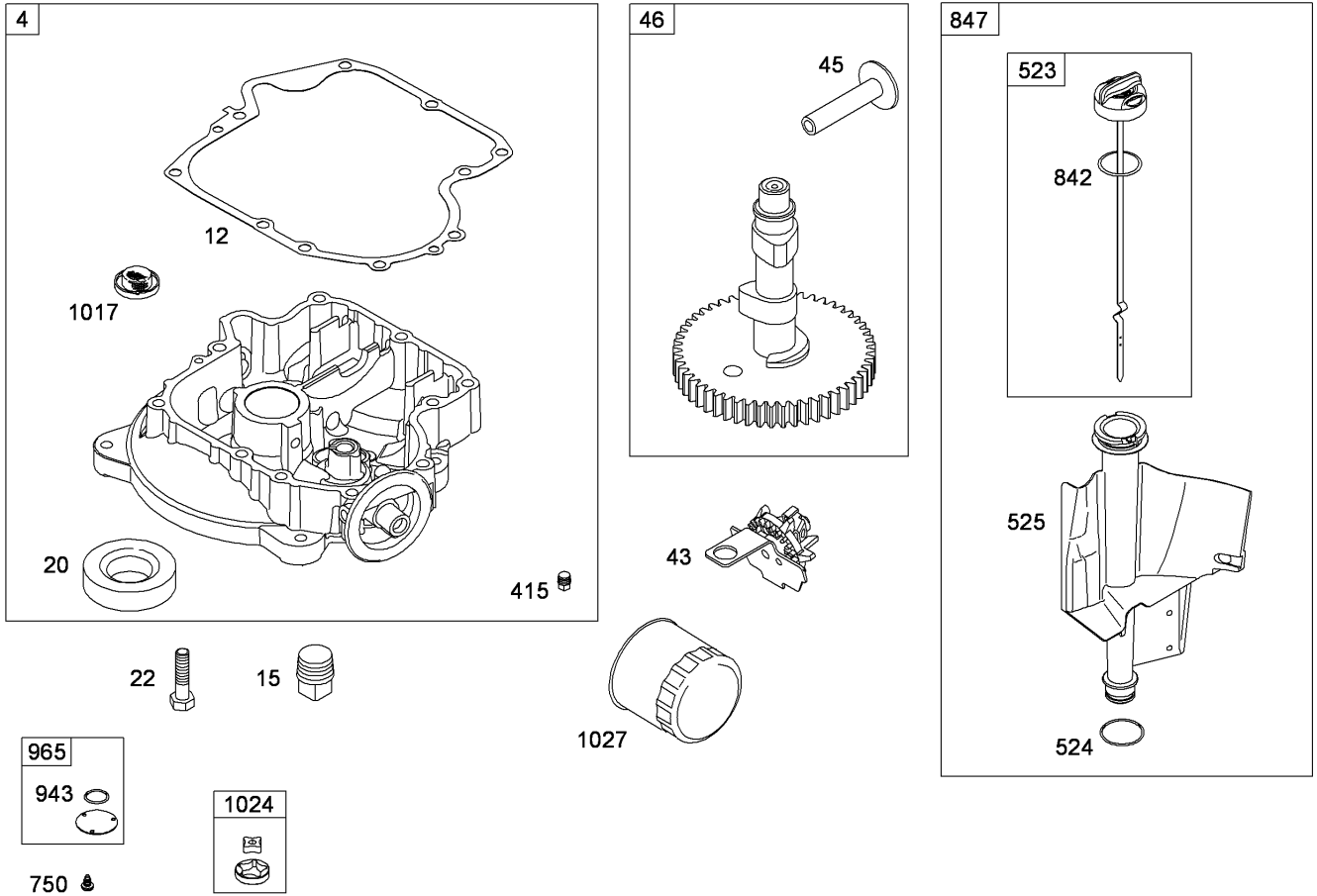
--	--	--	--



Cylinder Head Assembly Briggs and Stratton Model 31P777-0133-E1

Ref	Part No.	Qty.	Description
5	793989	1	Head-Cylinder
7	699168	1	Gasket-Head, Cylinder
13	793988	1	Screw (Cylinder Head Gasket)
33	791934	1	Valve-Exhaust
34	791935	1	Valve-Intake
35	691279	1	Spring-Valve (Intake)
36	691279	1	Spring-Valve (Exhaust)
42	499586	1	Keeper-Valve
45	690564	1	Tappet-Valve
50	690193	1	Manifold-Intake
51	692137	1	Gasket-Intake
54	691148	1	Screw (Intake Manifold)
192	691986	1	Adjustor-Arm, Rocker
238	691843	1	Cap-Valve
617	692138	1	Seal-O Ring (Intake Manifold)
830	691095	1	Stud-Arm, Rocker
850	100100	1	Sealant-Liquid
868	690968	1	Seal-Valve
883	692236	1	Gasket-Exhaust
914	691108	1	Screw (Rocker Cover)
1023	791079	1	Cover-Rocker
1026	692003	1	Rod-Push (Intake)

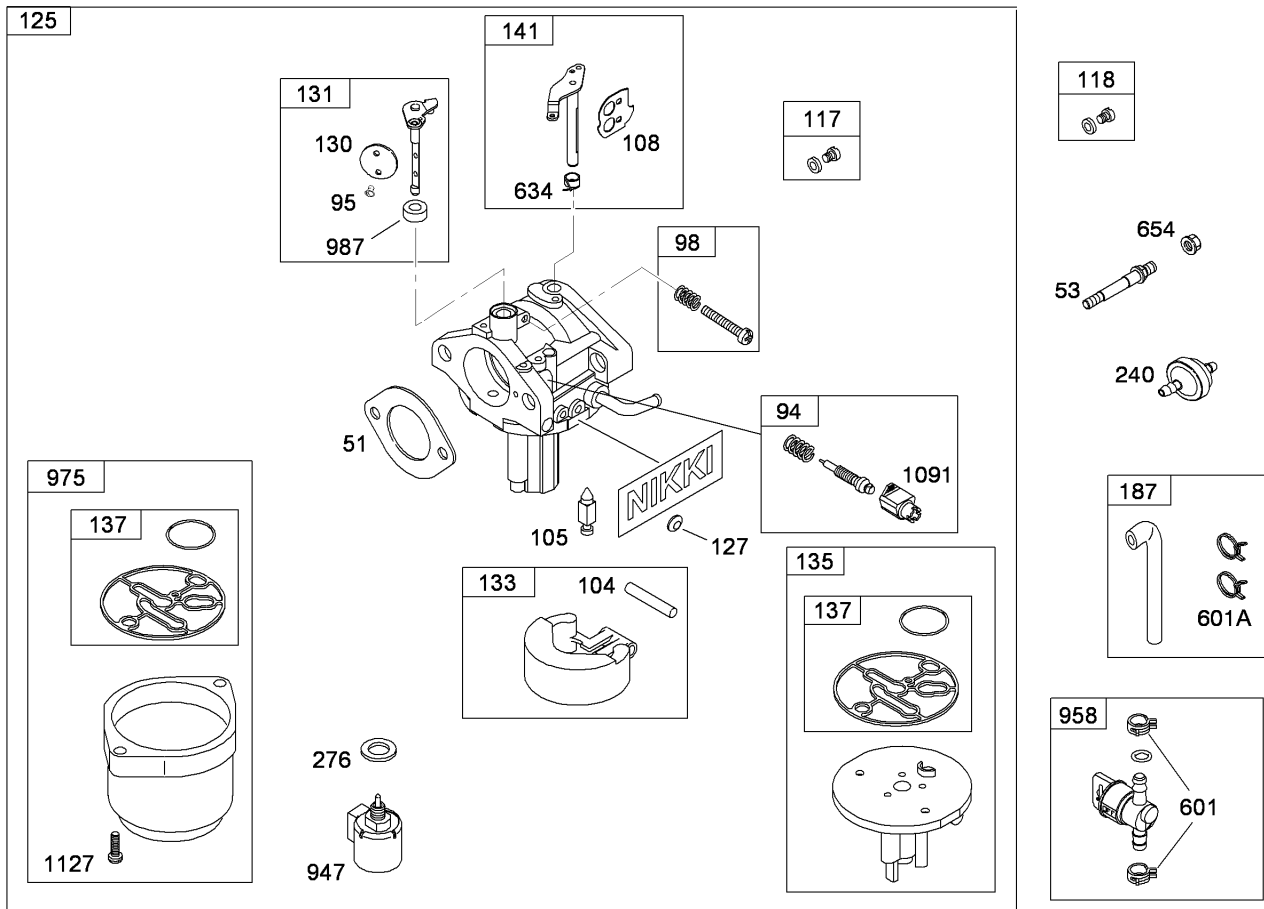
Ref	Part No.	Qty.	Description
1026	692011	1	Rod-Push (Exhaust)
1029	691751	1	Arm-Rocker
1034	690822	1	Guide-Rod, Push



Assemblies include all parts shown in frames

Crankcase Assembly Briggs and Stratton Model 31P777-0133-E1

Ref	Part No.	Qty.	Description
4	697188	1	Sump-Engine
12	697110	1	Gasket-Crankcase
15	690946	1	Plug-Drain, Oil
20	791892	1	Seal-Oil (PTO Side)
22	692125	1	Screw (Engine Sump)
43	691968	1	Slinger-Governor, Oil
45	690564	1	Tappet-Valve
46	793880	1	Camshaft
415	690283	1	Plug-Oil
523	699908	1	Dipstick
524	691032	1	Seal-O Ring (Dipstick Tube)
525	697184	1	Tube-Dipstick
750	790832	1	Screw
842	691031	1	Seal-O Ring (Dipstick)
847	790442	1	Dipstick And Tube ASM
943	690589	1	Seal-O Ring (Oil Pump Cover)
965	499613	1	Cover-Pump, Oil
1017	690770	1	Screen-Pump, Oil
1024	499054	1	Pump-Oil
1027	492932s	1	Filter-Oil

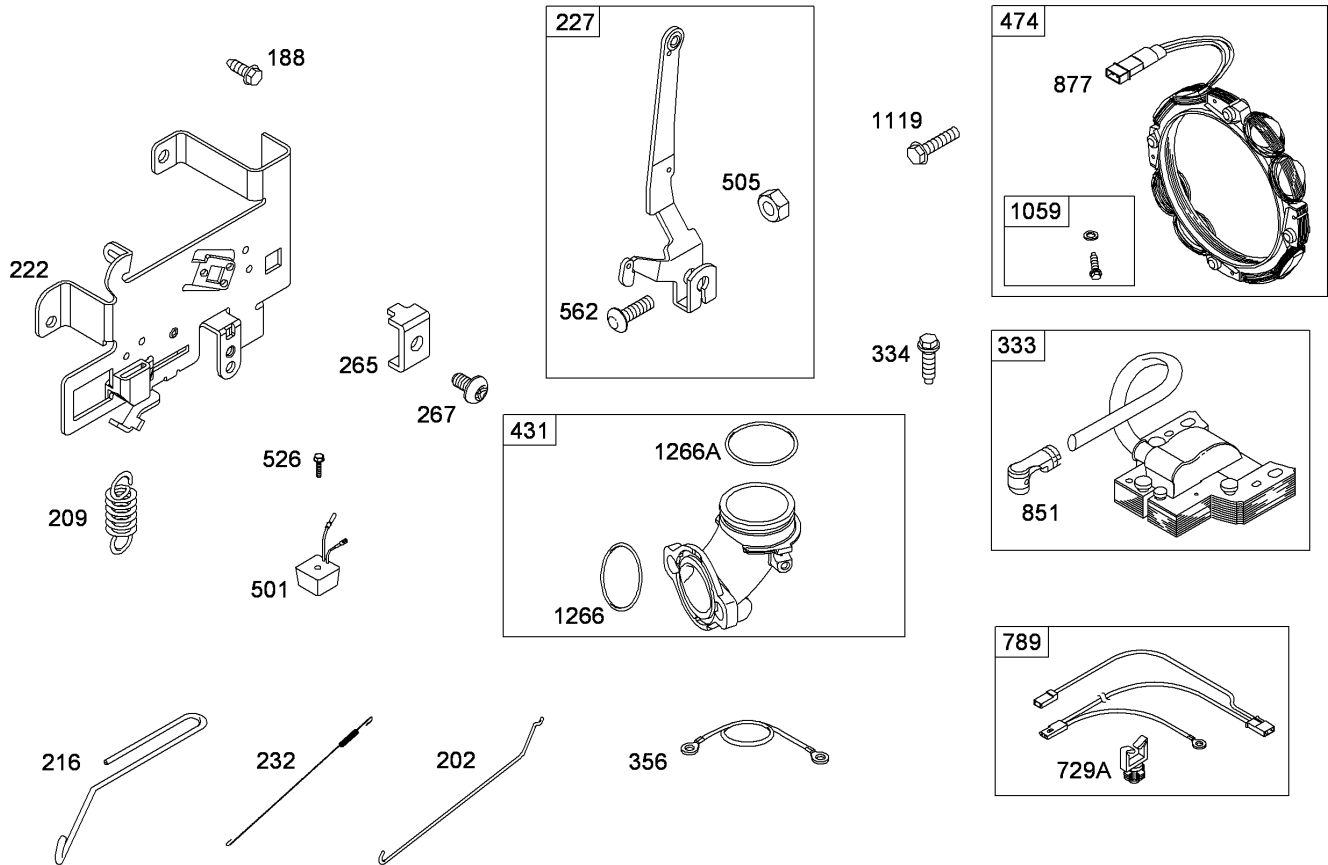


Assemblies include all parts shown in frames

Carburetor Assembly (Nikki) Briggs and Stratton Model 31P777-0133-E1

Ref	Part No.	Qty.	Description
④⑤51	692137	1	Gasket-Intake
⑥⑦			
⑤53	690227	1	Stud (Carburetor)
⑤94	695425	1	Idle Mixture Kit
③④95	690718	1	Screw (Throttle Valve)
⑤98	695408	1	Idle Speed Kit
③④104	694918	1	Pin-Hinge, Float
③④105	696136	1	Valve-Float, Needle
⑤108	695419	1	Valve-Choke
⑤117	699732	1	Jet-Main (Standard)
⑤118	792358	1	Jet-Main (High Altitude)
⑤125	792171	1	Carburetor
③④127	690727	1	Plug-Welch
⑤130	699500	1	Valve-Throttle
⑤131	699501	1	Throttle Shaft Kit
⑤133	694914	1	Carburetor Float ASM
⑤135	792022	1	Tube-Transfer, Fuel
③④137	698780	1	Fuel Transfer Tube ASM
⑤141	698778	1	Choke Shaft Kit
⑤187	791805	1	Line-Fuel (Cut To Required Length)
⑤240	394358s	1	Filter-Fuel
⑤276	695410	1	Washer-Sealing
⑤601	691038	1	Clamp-Hose

Ref	Part No.	Qty.	Description
⑤601A	791850	1	Clamp-Hose
③④634	698779	1	Spring And Seal ASM
⑤654	690958	1	Nut (Carburetor)
⑤947	699915	1	Solenoid, Fuel
⑤958	698183	1	Valve-Shut Off, Fuel
⑤975	699502	1	Bowl-Float
③④987	698777	1	Seal-Shaft, Throttle
⑤1091	691333	1	Cap-Limiter
⑤1127	695407	1	Screw (Float Bowl)



Assemblies include all parts shown in frames

Governor Assembly Briggs and Stratton Model 31P777-0133-E1

Ref	Part No.	Qty.	Description
③188	691693	1	Screw (Control Bracket)
③202	691841	1	Link-Governor, Mechanical
③209	692208	1	Spring-Governor
③216	691840	1	Link-Choke
③222	694042	1	Bracket-Control
③227	691374	1	Lever-Control, Governor
③232	691842	1	Spring-Link, Governor
③265	691024	1	Clamp-Casing
③267	794904	1	Screw (Casing Clamp)
③333	492341	1	Armature-Magneto
③334	691061	1	Screw (Magneto Armature)
③356	697089	1	Stop-Wire
③431	697122	1	Elbow-Intake
③474	696458	1	Alternator
③501	691185	1	Regulator
③505	691251	1	Nut (Governor Control Lever)
③526	697348	1	Screw (Regulator)
③562	691119	1	Bolt (Governor Control Lever)
③729A	694123	1	Clip-Wire
③789	692037	1	Wiring-Harness
③851	493880s	1	Terminal-Spark Plug
③877	399916	1	Connector-Wire, Alternator
③1059	698516	1	Screw And Washer Kit
③1119	691183	1	Screw (Alternator)

Ref	Part No.	Qty.	Description
③④1266	691917	1	Seal-O Ring (Intake Elbow)
⑤			
③④1266A	697123	1	Seal-O Ring (Intake Elbow)
⑤			

Attachments and Accessories

For 71253 - XL 440H Lawn Tractor

Product Name	Model/Part
Counterweight Kit	100-6230
Blade	55-4940
8 Inch Rear Wheel Weight Kit	59159
VAC Bagger	79104
44 Inch Side Discharge Mower	79110
42 Inch Snow Blade	79150
44 Inch Baffle Kit	79174
Tire Chains 23x9.50-12	82522
Snow Blade Completing Package	93-3806

NOTES

NOTES

NOTES

