



Rear Lift Kit Workman[®] MD/MDX/MDE Utility Vehicle

Model No. 07334

Parts Catalog

Ordering Replacement Parts

To order replacement parts, please supply the part number, the quantity, and the description of each part desired.

Understanding Reference Numbers

Each identified part in an illustration has a reference number. The reference number for a part also appears in the parts list, along with other information about the part.

This catalog uses two special reference number formats, one to indicate parts in a service assembly and another to indicate the quantity of a given part in an illustration.

Service Assembly Reference Numbers

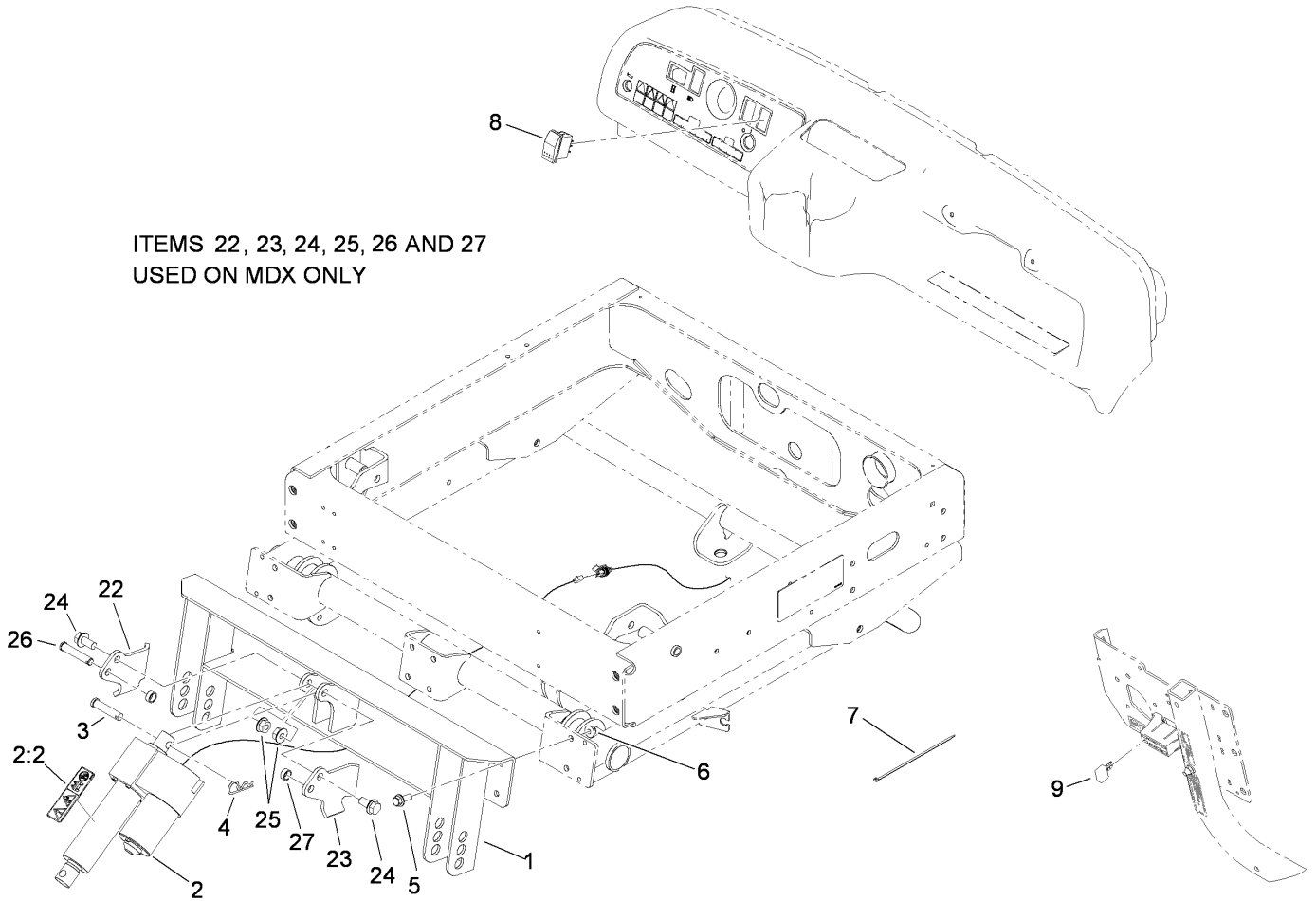
Parts in service assemblies have reference numbers in the form a:b. The a represents the reference number of the entire service assembly and the b represents a sequential number unique to each part within the service assembly.

For example, a wheel assembly might be identified by reference number 6, the tire by 6:1, the valve by 6:2, and the wheel by 6:3. When you order the assembly identified by reference number 6, you receive all parts identified by reference numbers 6:1, 6:2, and 6:3. However, you may also order any part individually. Reference numbers of this type appear in illustrations and in part lists.

Reference Numbers Indicating Quantity

In an illustration, if a reference number indicates more than one part, the reference number has the form nX y. The n represents the quantity of the part, the X is the multiplication symbol, and the y represents the reference number.

For example, in an illustration, the reference number 2X 37 means that two of the parts identified by reference number 37 are indicated.



ITEMS 22, 23, 24, 25, 26 AND 27
USED ON MDX ONLY

Rear Lift Assembly

Ref	Part No.	Qty.	Description				
1	112-3267-03	1	Rear Lift Frame ASM				
2	115-7782	1	Electric Actuator ASM				
2:2	115-7748	1	Decal-Warning				
3	92-2739	1	Pin-Clevis				
4	92-2762	1	Pin-Hair				
5	110-5052	4	Screw-HHF				
6	104-8301	4	Nut-Flange, NI				
7	3290-378	2	Tie-Cable				
8	94-1742	1	Switch				
9	99-7431	1	Fuse-Thermal, 15 Amp				
22	117-4992-03	1	Plate-Actuator, LH				
23	117-4993-03	1	Plate-Actuator, RH				
24	3234-6	2	Screw-HHF				
25	32128-49	2	Nut-HHF				
26	100-6541	1	Pin-Clevis				
27	69-8990	2	Spacer				