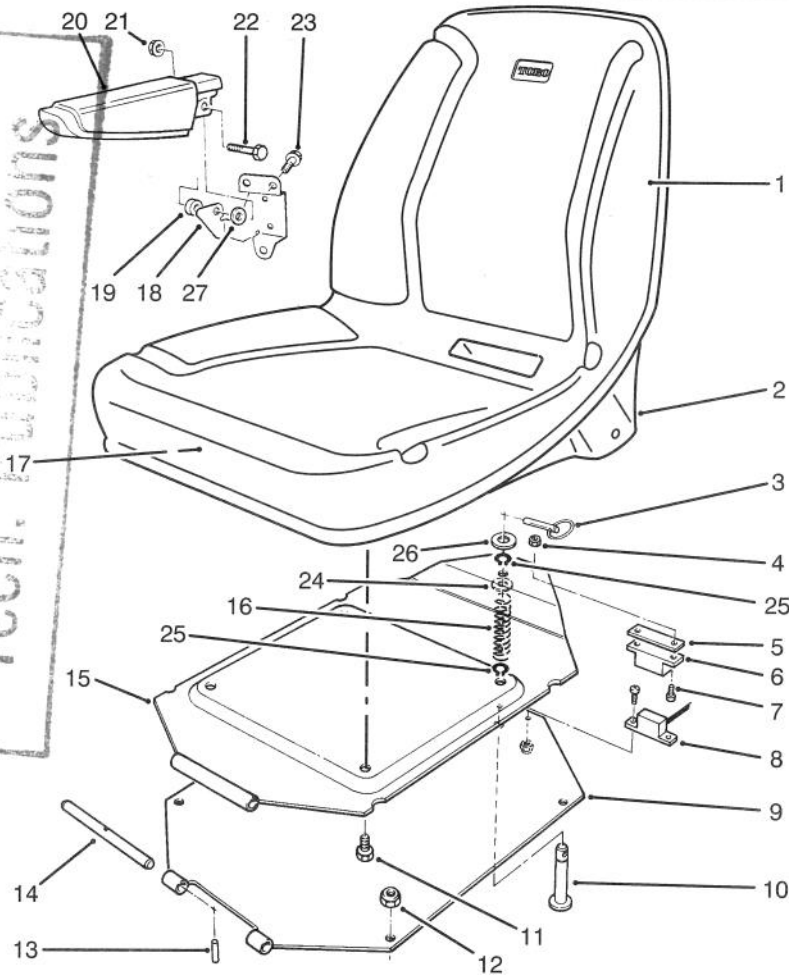


TORO[®]

MODEL NO. 30580-40247 & UP

**PARTS
CATALOG****GROUNDMASTER[®] 580-D
Traction Unit****SEAT ASSEMBLY**

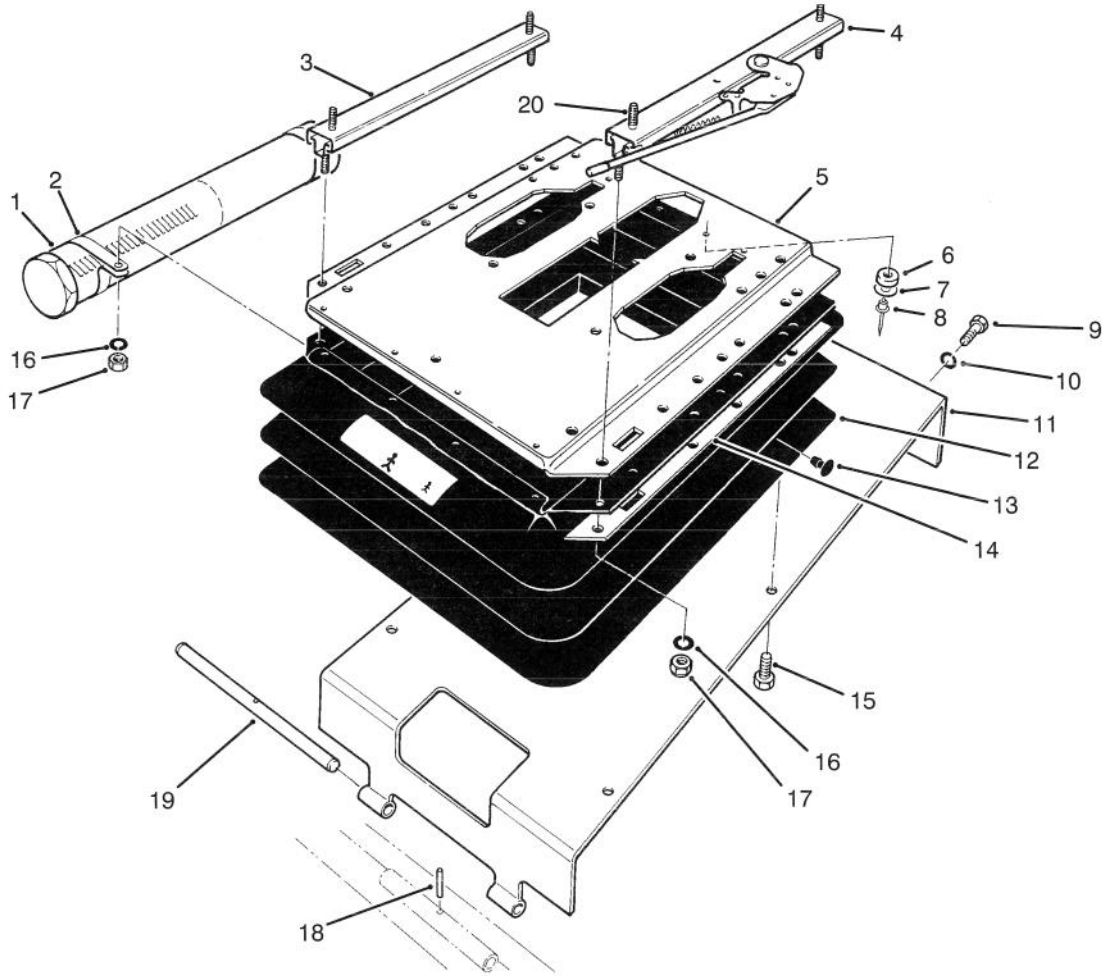
T-1278C

Ref. No.	Part No.	Description	No. Used	Ref. No.	Part No.	Description	No. Used
1	92-1180	Assembly - Seat (Incl. Ref. #2)	1	15	83-6690	Plate - Seat	1
2	67-9560	Shell - Seat	1	16	85-6140	Spring	1
3	283-72	Pin - Lynch	1	17	92-1179	Cushion - Seat	1
4	3296-54	Nut - Lock	4	18	69-0770	Bracket - Arm Rest R.H.	1
5	83-6630	Shim - Switch	1	*	69-0760	Bracket - Arm Rest L.H.	1
6	75-6330	Catch - Magnetic	1	19	92-7301	Spacer	2
7	32122-53	Screw - Pan Head	4	20	69-1180	Armrest	2
8	83-6640	Sensor - Switch	1	21	32128-19	Nut - Lock Flange Hd.	2
9	83-6700	Plate - Suspension	1	22	323-9	Screw - Cap Hex. Hd.	2
10	85-6160	Pin - Spring	1	23	3234-14	Screw - Cap Hex. Hd.	6
11	3234-5	Screw - Cap Hex. Hd.	4	24	3256-27	Washer - Flat	1
12	3296-29	Nut - Lock	4	25	32120-64	Ring - Retaining	2
13	32121-4	Pin - Roll	1	26	3256-7	Washer - Flat	1
14	27-4720	Pin - Pivot Seat	1	27	3256-24	Washer - Flat	2

*Not Illustrated

© The TORO Company - 1994
All Rights Reserved

TPS

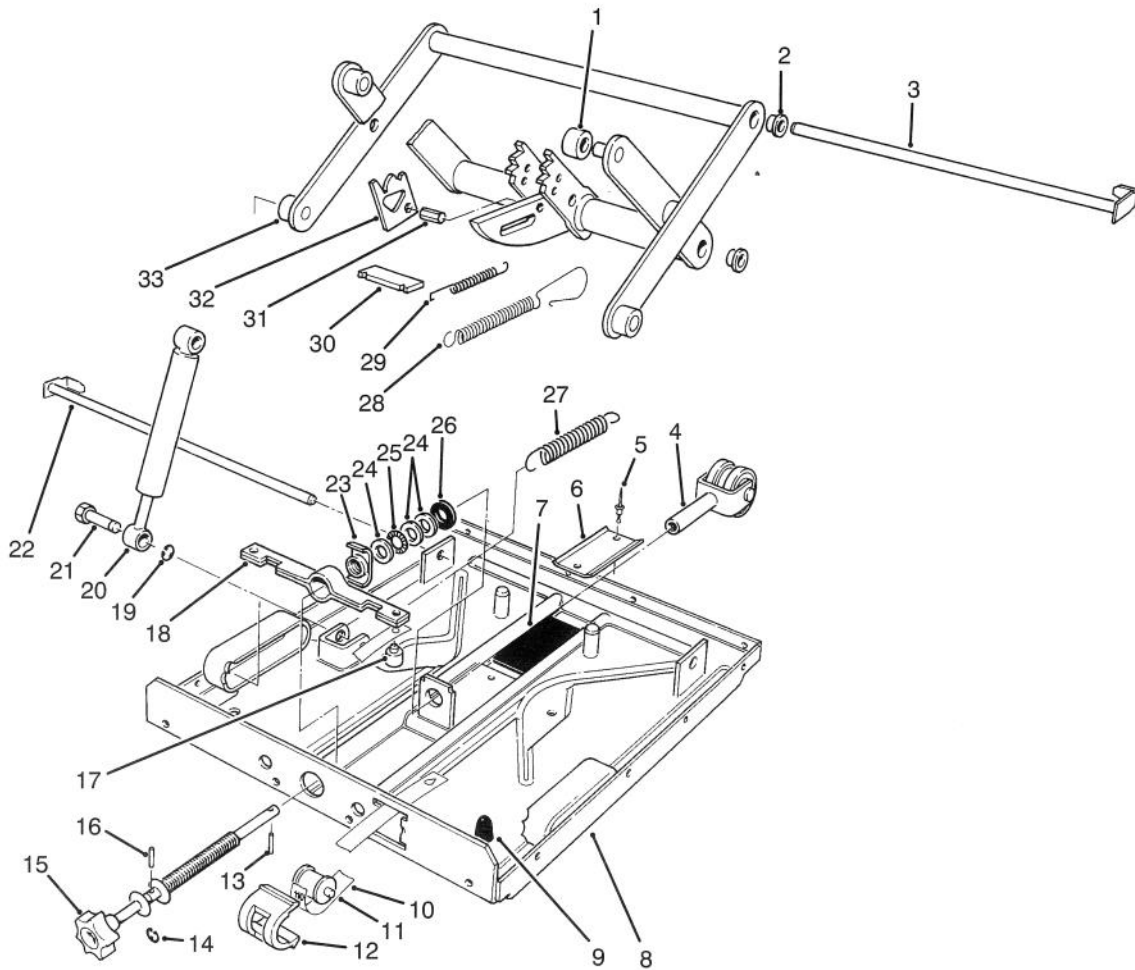


T-1279A

SEAT PIVOT AND BELLOWS ASSEMBLY

Ref. No.	Part No.	Description	No. Used
1	74-0720	Tube - Manual	1
2	2412-133	Clamp	2
3	66-8530	Track - Adjustment	1
4	82-9060	Track & Latch - Adjustment	1
5	71-2410	Plate - Upper Suspension (Incl. Ref. #6)	1
6	71-2400	Assembly - Bumper (Incl. Ref. #7 & 8)	2
7	71-2380	Washer	2
8	71-2390	Rivet - Pop	2
9	323-6	Screw - Cap Hex. Hd.	2

Ref. No.	Part No.	Description	No. Used
10	3253-21	Washer - Lock	2
11	83-6660	Support - Seat	1
12	71-2420	Bellows - Rubber	1
13	39-5710	Plug	21
14	40-3890	Trim	2
15	48-7780	Screw - Cap Hex. Hd.	4
16	3256-23	Washer - Flat	4
17	3296-29	Nut - Lock	4
18	32121-4	Pin - Roll	1
19	27-4720	Pin - Pivot, Seat	1
20	3230-22	Bolt - Carriage	1

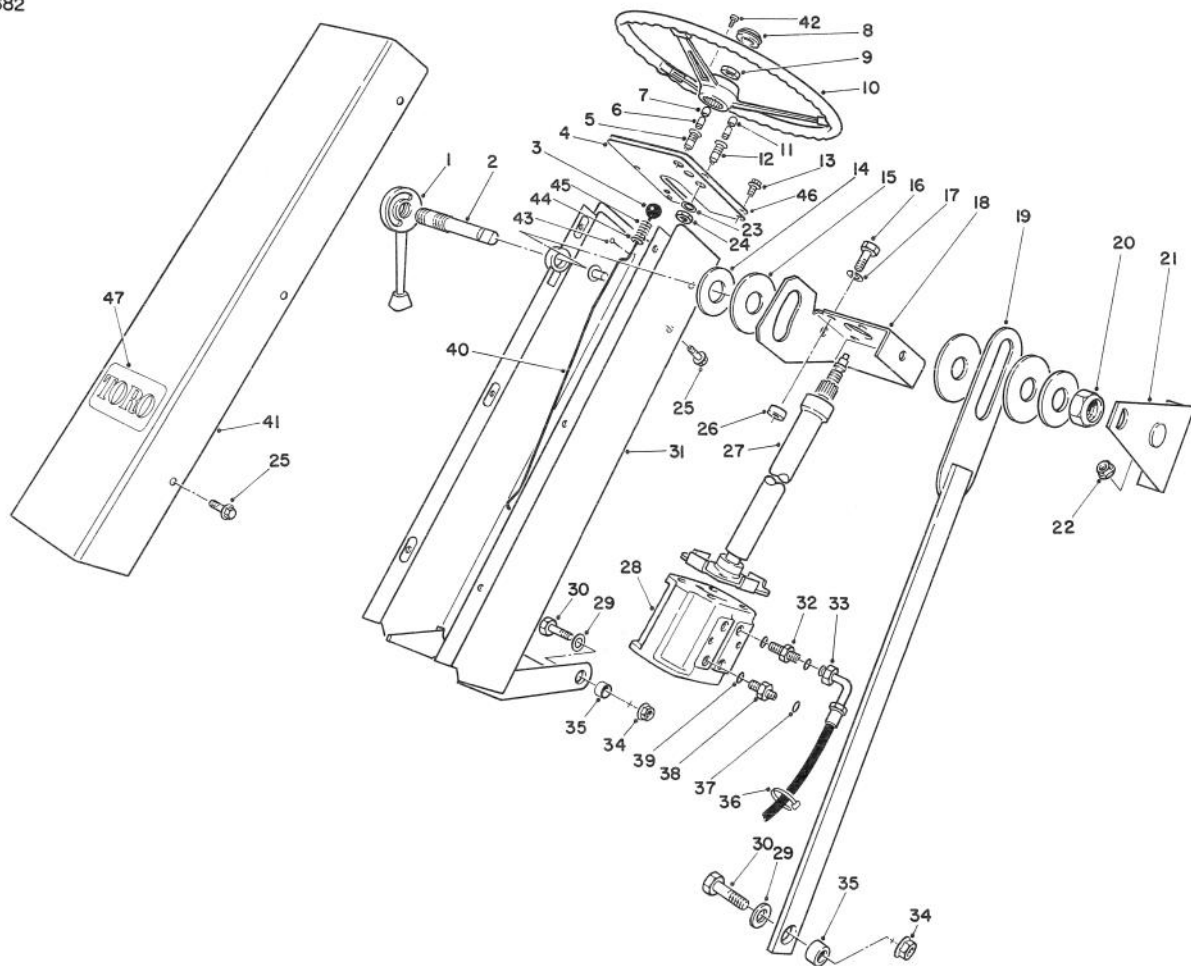


T-0483

SEAT SUSPENSION ASSEMBLY

Ref. No.	Part No.	Description	No. Used	Ref. No.	Part No.	Description	No. Used
1	40-4010	Roller	4	19	71-2330	Ring - Snap	2
2	71-2180	Bearing	4	20	71-2340	Absorber - Shock	1
3	71-2190	Pin	1	21	71-2320	Pin	2
4	71-2290	Bearing - Triple	1	22	71-2170	Pin	1
5	40-4090	Rivet - Pop	2	23	71-2270	Nut - Special	1
6	40-4080	Track - U	1	24	40-4070	Washer	3
7	40-4120	Plate - Rubber	1	25	40-4310	Bearing - Thrust Needle	1
8	71-2310	Plate - Lower Suspension (Incl. Ref. #5-7 & 9)	1	26	40-4060	Washer - Rubber	1
9	71-2300	Bumper	2	27	71-2260	Spring	2
10	71-2280	Band - Weight Indicator	1	28	40-4340	Spring - Extension	1
11	40-4150	Roller	1	29	40-4350	Spring - Extension	2
12	40-4160	Guide - Sleeve	1	30	40-4360	Plate	1
13	71-2210	Pin	1	31	40-4370	Bolt	1
14	71-2230	Ring - Snap	1	32	40-4380	Bracket - Release	2
15	71-2240	Knob Assembly (Incl. Ref. #13, 14 & 16)	1	33	71-2200	Bracket - Swing Arm (Incl. Ref. #1-3, 22 & 29-32)	1
16	71-2220	Pin	1	*	71-0480	Suspension Assembly (Incl. Ref. #1-33, & 6-8, 12 & 13, from page 2)	1
17	40-4230	Plug	1				
18	71-2250	Bracket - Spring	1				

*Not Illustrated

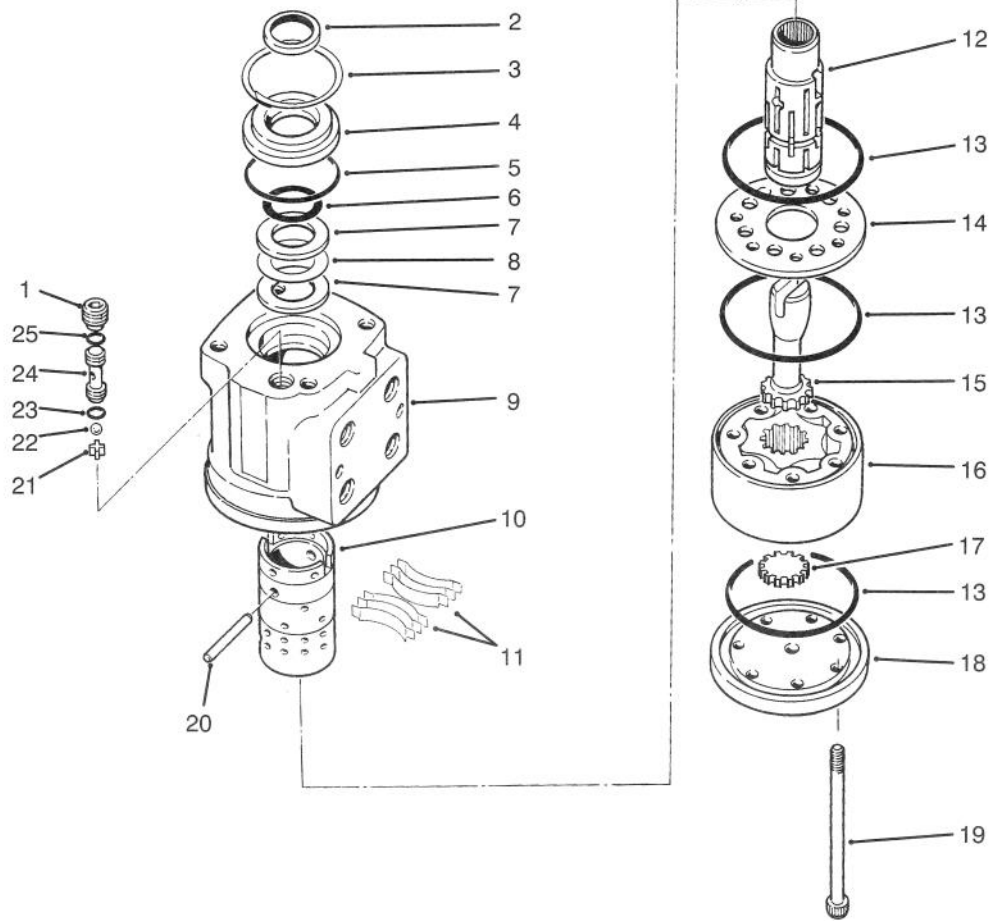


T-0338

STEERING TOWER ASSEMBLY

Ref. No.	Part No.	Description	No. Used	Ref. No.	Part No.	Description	No. Used
1	69-1560	Lever - Lock	1	24	218-535	Nut - Hex.	3
2	69-9230	Shaft - Steering Pivot	1	25	3234-14	Screw - Hex. Washer Hd.	8
3	233-17	Knob	1	26	46-1600	Spacer	4
4	69-9440	Panel - Steering Tower	1	27	71-0540	Column - Steering	1
5	44-2210	Body - indicator Light (Incl. Ref. #6-7 & 23-24)	1	28	69-1850	Valve - Power Steering	1
†6		Bulb - Indicator Light (#1891)	3	29	3256-26	Washer - Flat	3
7	218-533	Lens - Indicator Light (Red)	1	30	325-5	Screw - Cap Hex. Hd.	3
8	213-31	Cover - Steering Wheel	1	31	69-8160	Tower - Steering	1
9	47-6990	Nut - Hex.	1	32	340-133	Fitting - Hydraulic Straight (Incl. Ref. #37 & 39)	3
10	68-8080	Wheel - Steering	1	33	69-5500	Hose - Hydraulic	4
11	218-562	Lens - Indicator Light (Amber)	2	34	32128-23	Nut - Flange Lock	3
12	44-2212	Body - Indicator Light (Incl. Ref. #6, 11 & 23-24)	2	35	28-0380	Spacer	3
13	32144-64	Screw - Hex. Washer Hd.	4	36	3290-378	Tie-Cable	5
14	20-9500	Spacer	2	37	237-22	Seal - O-Ring	4
15	31-0390	Washer - Friction	3	38	69-6980	Valve - Check (Incl. Ref. # 37 & 39)	1
16	323-7	Screw - Cap Hex. Hd.	4	39	237-79	Seal - O-Ring	4
17	3253-21	Washer - Lock	4	40	71-4060	Rod - Brake Latch	1
18	69-9540	Bracket - Steering Gear	1	41	69-8510	Cover - Steering Tower	1
19	69-7760	Link - Steering Gear	1	42	32144-96	Screw - Mach. Round Hd.	3
20	3296-49	Nut - Lock	1	43	3272-5	Pin - Cotter	1
21	69-7740	Support - Steering Gear	1	44	3256-22	Washer - Flat	1
22	32128-20	Nut - Flange Lock	2	45	3-3251	Spring - Compression	1
23	218-536	Washer - Lock	3	46	69-0970	Panel - Control	1
				47	62-5550	Decal	1

†Obtain Locally



POWER STEERING VALVE ASSEMBLY NO. 69-1850

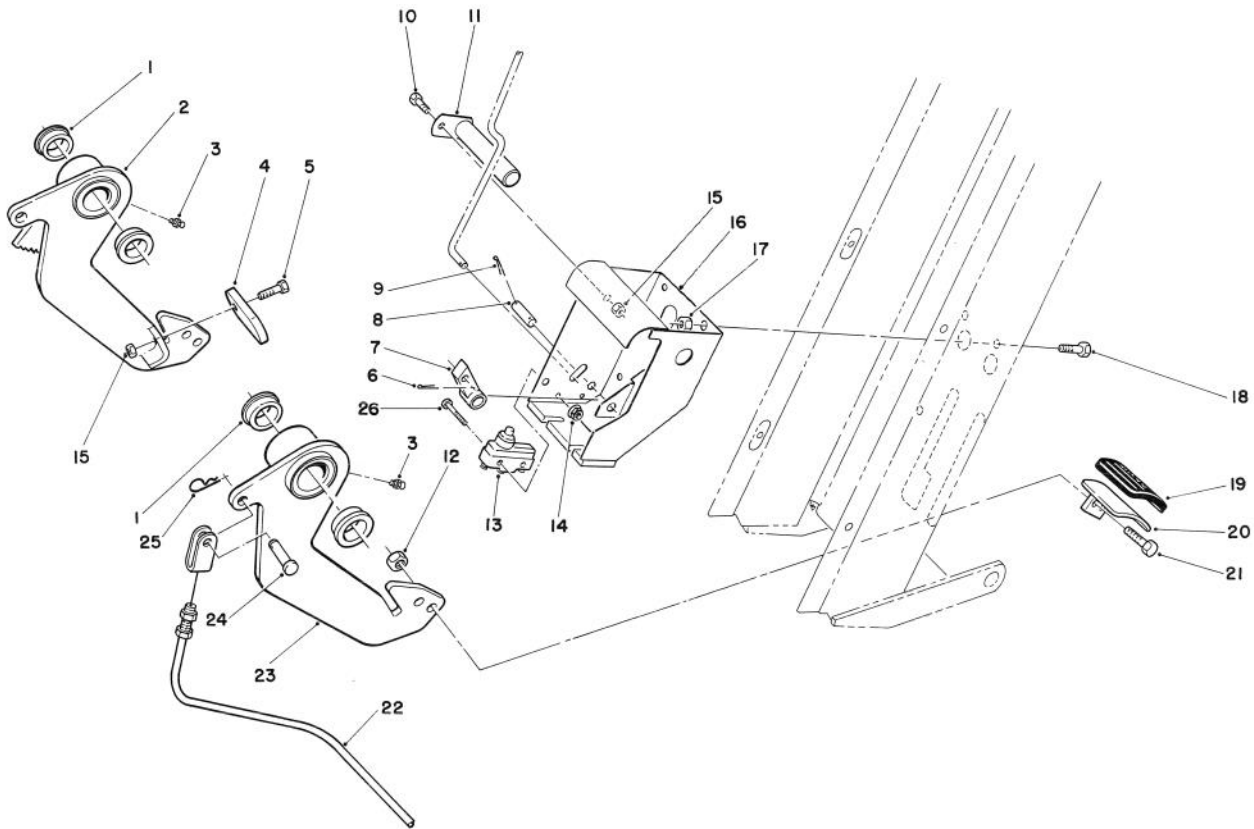
T-0383

Ref. No.	Part No.	Description	No. Used
1	52-9260	Screw - Set	1
†2		Seal - 1" ID	1
3	52-9230	Ring - Retaining	1
4	52-9240	Bushing - Gland Seal	1
†5		Seal - 1.875" ID	1
†6		Seal - Quad Ring	1
7	59-6730	Race - Bearing	2
8	59-6740	Bearing - Needle Thrust	1
†9		Housing	1
†10		Sleeve - Control	1
11	59-6820	Centering Spring Kit	1
†12		Spool - Control	1
†13		Seal	3
14	59-6850	Plate - Spacer	1
15	59-6860	Drive	1
16	69-1860	Gerotor	1

Ref. No.	Part No.	Description	No. Used
17	69-1880	Spacer	1
18	59-6890	Cap - End	1
19	69-1870	Screw - Cap	7
20	59-6830	Kit - Centering Pin	1
21	52-9290	Retainer - Check Ball	1
22	52-9280	Ball - Check	1
†23		Seal	1
24	52-9270	Seat - Check Ball	1
†25		Seal	1
*	52-9250	Needle Bearing Kit (Incl. Ref. #7-8)	1
*	59-6810	Control Parts Assembly (Incl. Ref. #9-12 & 20)	1
*	49-0170	Seal Kit (Incl. Ref. #2, 5-6, 13, 23 & 25)	1

*Not Illustrated

†Not Serviceable Separately

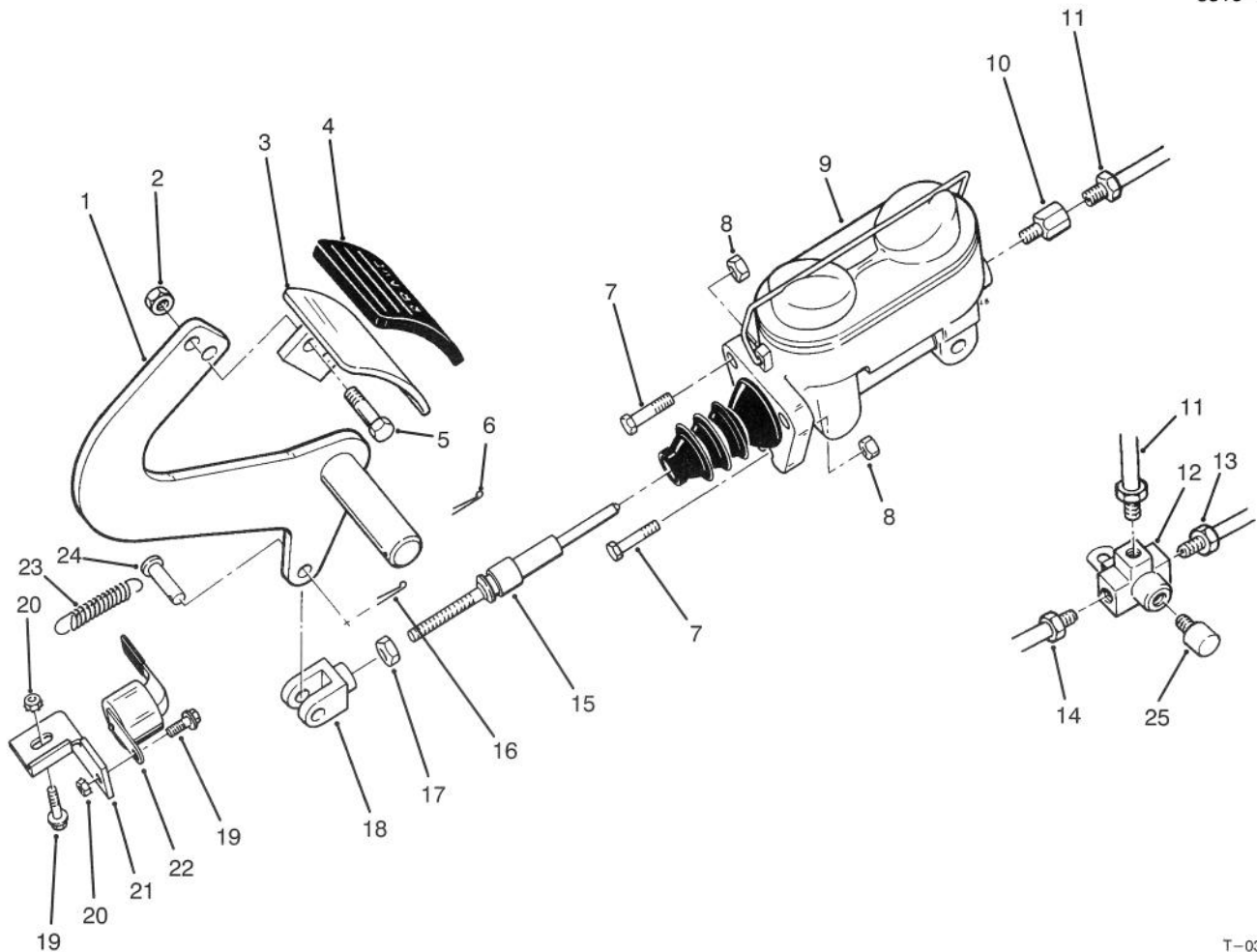


T-0339A

STEERING BRAKE ASSEMBLY

Ref. No.	Part No.	Description	No. Used	Ref. No.	Part No.	Description	No. Used
1	256-247	Bushing - Flange	4	15	32152-4	Nut - Lock	2
2	69-7890	Arm - Brake R.H. (Incl. Ref. #1 & 3)	1	16	69-7840	Mount - Brake Arm	1
3	302-5	Fitting - Grease	2	17	32128-20	Nut - Lock	3
4	69-9210	Lever - Brake Latch	1	18	3234-14	Screw - Cap Hex. Hd.	3
5	321-4	Screw - Cap Hex. Hd.	1	19	49-6171	Pad - Brake Pedal L.H.	1
6	3272-5	Pin - Cotter	1	*	49-6172	Pad - Brake Pedal R.H.	1
7	69-7720	Pawl - Brake	1	20	69-7700	Pedal - Brake	2
8	69-9200	Pin - Brake Pawl	1	21	323-4	Screw - Cap Hex. Hd.	4
9	3272-6	Pin - Cotter	2	22	69-5670	Cable - Brake	2
10	321-2	Screw - Cap Hex. Hd.	1	23	69-7880	Arm - Brake L.H. (Incl. Ref. #1 & 3)	1
11	69-7790	Pin - Brake Arm	1	24	283-1	Pin - Clevis	2
12	32152-1	Nut - Lock	4	25	3290-307	Pin - Cotter, Hair	2
13	29-6163	Switch - Micro	1	26	3249-11	Screw - Machine	2
14	3296-9	Nut - Lock	2	*	3290-378	Tie - Cable	3

*Not Illustrated

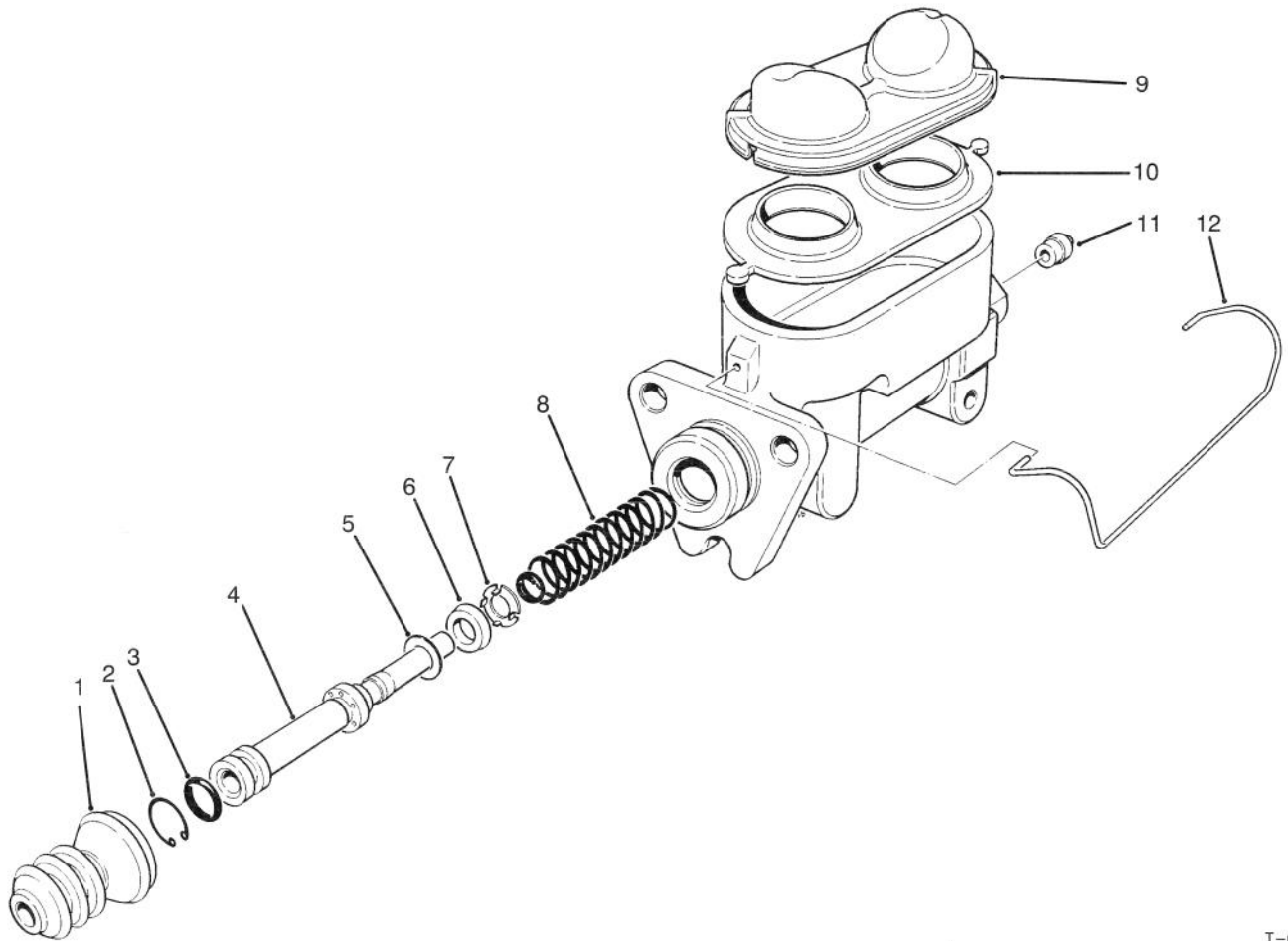


T-0341A

SERVICE BRAKE ASSEMBLY

Ref. No.	Part No.	Description	No. Used
1	69-8750	Arm - Brake	1
2	32152-1	Nut - Lock	2
3	69-7700	Pedal - Brake	1
4	49-6170	Pad - Brake	1
5	322-3	Screw - Cap Hex. Hd.	2
6	3272-12	Pin - Cotter	1
7	323-7	Screw - Cap Hex. Hd.	3
8	32128-21	Nut - Lock	3
9	69-2640	Master Cylinder Assembly	1
10	353-994	Adapter	1
11	74-2530	Tube - Hydraulic	1
12	218-243	Fitting - Tee	1
13	74-2510	Tube - Hydraulic L.H.	1

Ref. No.	Part No.	Description	No. Used
14	74-2520	Tube - Hydraulic R.H.	1
15	69-9340	Rod - Brake	1
16	3272-10	Pin - Cotter	1
17	3220-2	Nut - Jam	1
18	282-2	Clevis - Brake Rod	1
19	3234-13	Screw - Hex. Washer Hd.	2
20	32149-2	Nut - Keps	2
21	69-9160	Bracket - Brake Switch	1
22	69-0750	Switch - Brake	1
23	21-1830	Spring - Extension	1
24	283-1	Pin - Clevis	1
25	218-242	Switch - Brake	1



T-0384

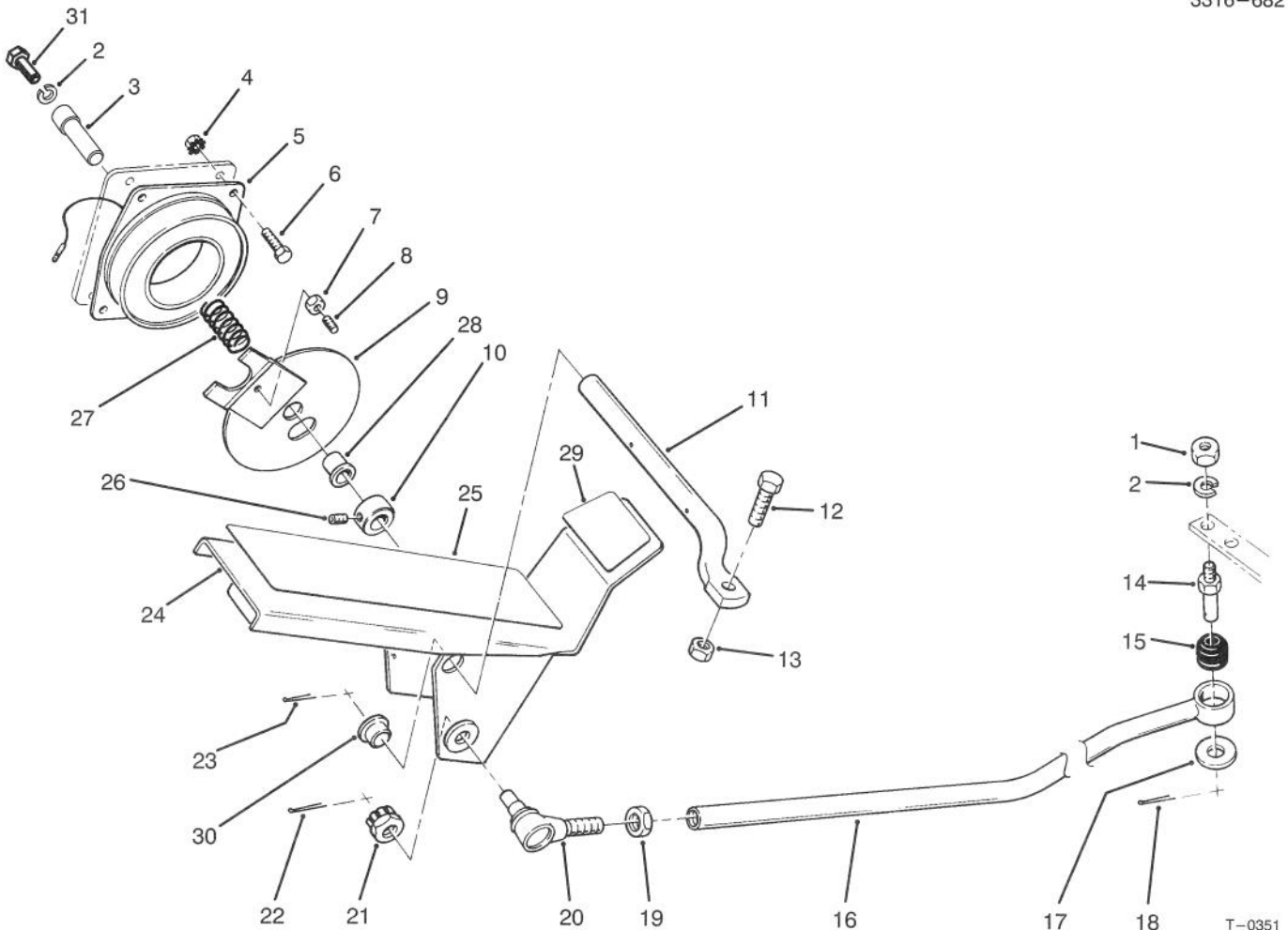
BRAKE SYSTEM MASTER CYLINDER NO. 69-2640

Ref. No.	Part No.	Description	No. Used
1	69-2650	Boot - Rod	1
2	69-2660	Ring - Retaining	1
†3		Seal - Lip	1
†4		Piston	1
†5		Protector - Cup	1
†6		Cup - Pumping	1
†7		Retainer - Cup	1

Ref. No.	Part No.	Description	No. Used
†8		Spring - Piston Return	1
9	69-2750	Cover - Reservoir	1
10	69-2760	Gasket - Diaphragm	1
11	69-2770	Seat - Tube	1
12	69-2740	Bail - Cover	1
*	69-2730	Piston Assembly (Incl. Ref. #3-8)	1

*Not Illustrated

†Not serviceable separately.

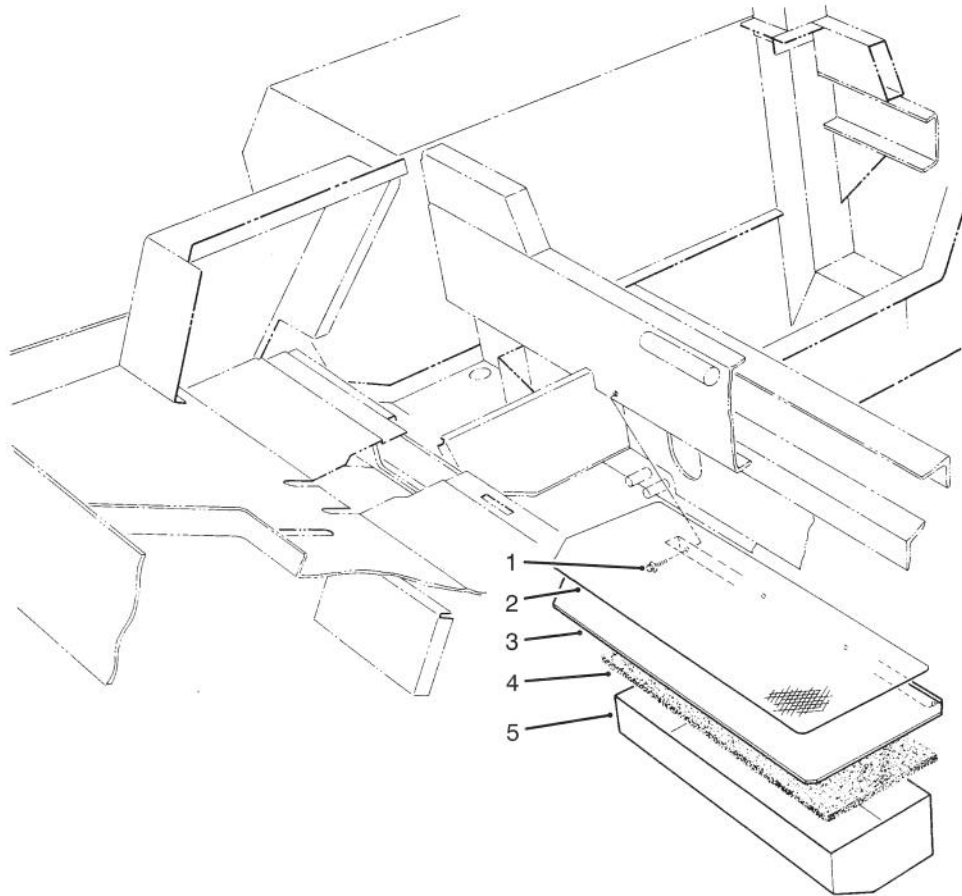


T-0351

TRACTION PEDAL & CRUISE CONTROL ASSEMBLY

Ref. No.	Part No.	Description	No. Used
1	3217-7	Nut - Lock	1
2	3253-21	Washer - Lock	2
3	92-9701	Shaft - Cruise Control	1
4	32149-2	Nut - Keps	4
5	42-1720	Field Core Coil Assembly	1
6	321-3	Screw - Cap Hex. Hd.	4
7	3217-26	Nut - Lock	1
8	3245-31	Screw - Set	1
9	43-6110	Plate - Clutch	1
10	43-6320	Collar - Locking	1
11	69-9390	Shaft - Pedal	1
12	3234-14	Screw - Cap Hex. Hd.	1
13	32128-20	Nut - Lock	1
14	69-9030	Post - Neutral Device	1
15	23-2270	Bushing - Rubber	1
16	74-2700	Rod - Control	1

Ref. No.	Part No.	Description	No. Used
17	3256-6	Washer - Flat	1
18	3272-10	Pin - Cotter	1
19	3220-5	Nut - Jam	1
20	21-0140	Joint - Ball (Incl. Ref. #21)	1
21	32136-4	Nut - Castle	1
22	3272-6	Pin - Cotter	1
23	3272-7	Pin - Cotter	2
24	69-7650	Pedal - Traction	1
25	71-0440	Abrasive - Pedal Front	1
26	3245-32	Screw - Set	1
27	43-6200	Spring - Compression	1
28	256-273	Bushing - Flange	1
29	71-0450	Abrasive - Pedal Rear	1
30	256-156	Bushing - Flange	2
31	323-6	Screw - Cap Hex. Hd.	1

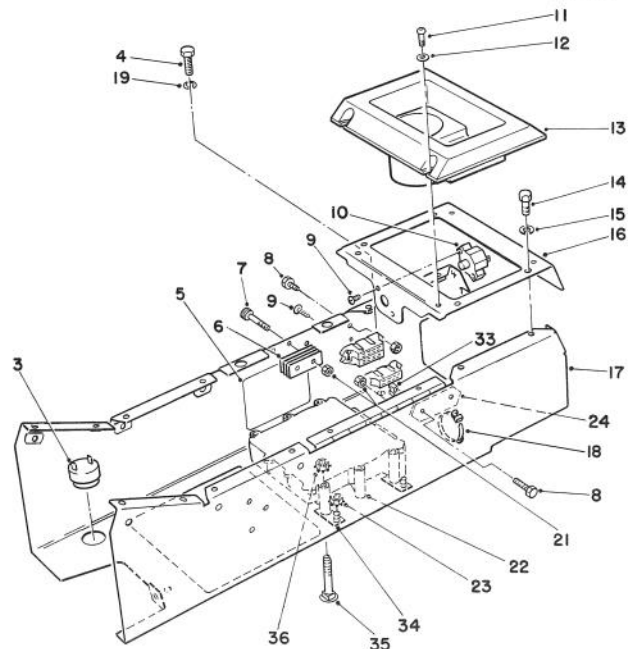
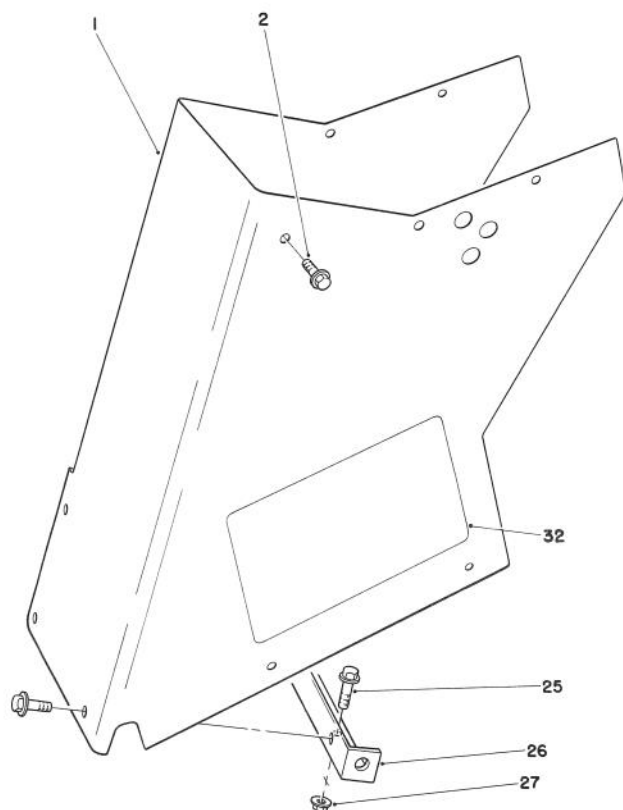


T-0876

TOOL BOX ASSEMBLY

Ref. No.	Part No.	Description	No. Used
1	69-8110	Box - Tool	1
2	69-9430	Foam - Tool Box	1
3	69-8080	Cover - Tool Box	1

Ref. No.	Part No.	Description	No. Used
4	71-0410	Cover - Abrasive	1
5	3234-14	Screw - Hex. Flange Hd.	4



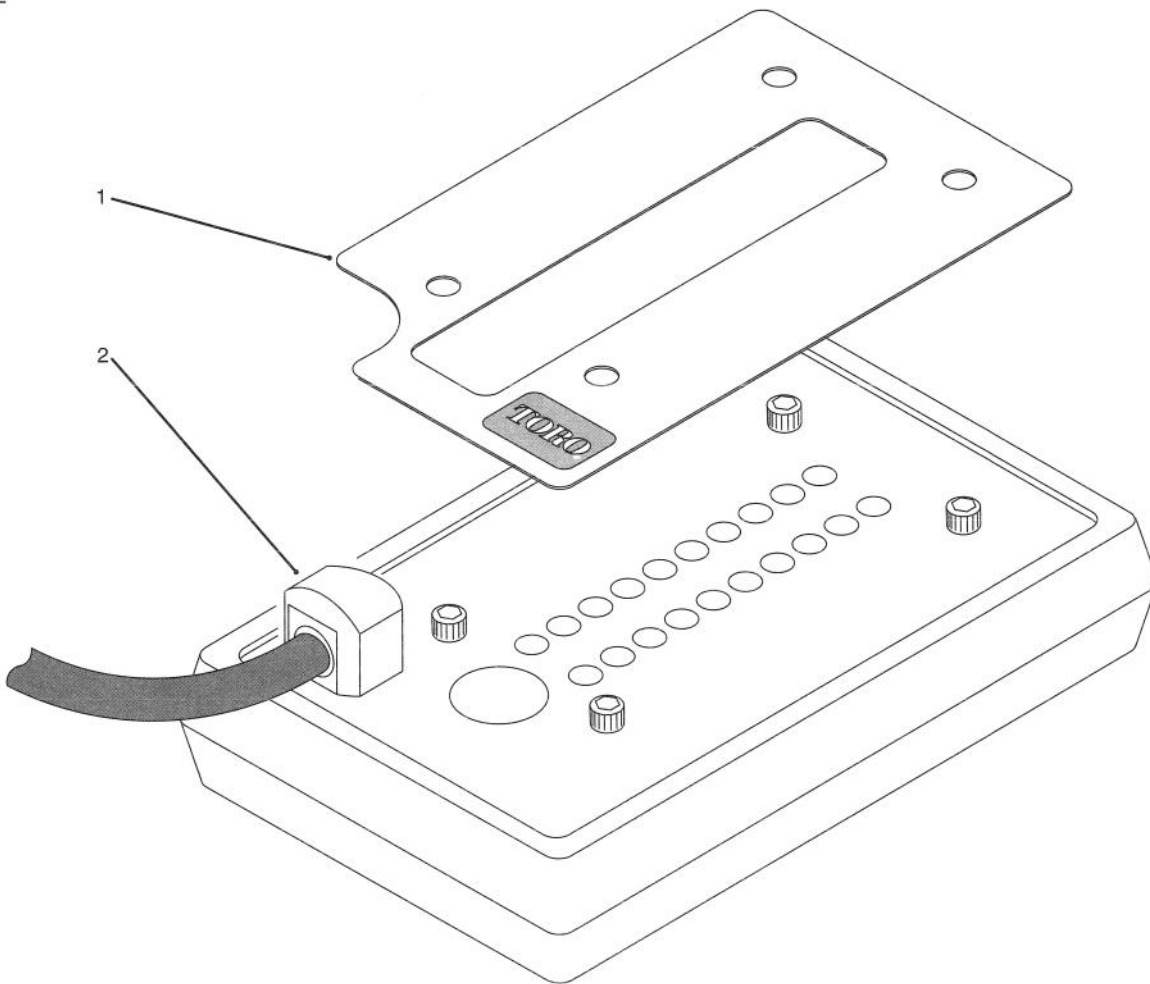
T-0340C

CONTROL BOX ASSEMBLY

Ref. No.	Part No.	Description	No. Used
1	69-9560	Housing - Control	1
2	3234-7	Screw - Hex. Washer Hd.	11
3	80-9330	Alarm - Audio	1
4	323-4	Screw - Cap Hex. Hd.	4
5	88-9430	Decal - Fuse	1
6	69-6260	Magnet	1
7	32105-12	Screw - Hex. Socket Hd.	2
8	32105-13	Screw - Hex. Hd.	4
9	32122-53	Screw - Phil. Truss Hd.	2
10	43-4000	Breaker - Circuit 40A	1
11	3290-133	Screw - Round Hd.	4
12	3256-22	Washer - Flat	4
13	69-7040	Holder - Cup	1
14	321-3	Screw - Cap Hex. Hd.	4
15	3253-3	Washer - Lock	4
16	71-2430	Plate - Rear	1
17	71-4130	Support - Control	1
18	3290-378	Tie - Cable	2

Ref. No.	Part No.	Description	No. Used
19	3253-21	Washer - Lock	4
21	3296-2	Nut - Lock	6
22	92-5720	Controller	1
23	32149-7	Nut - Keps	3
24	67-7160	Block - Fuse	4
25	3234-14	Screw - Cap Hex. Hd.	2
26	69-8210	Support - Cover	1
27	32128-20	Nut - Flange Lock	2
32	80-4890	Decal - Service	1
33	218-581	Fuse - 15A	6
34	92-8661	Tab	3
35	3229-8	Bolt - Carriage	3
36	32149-2	Nut - Keps	3
*	88-9420	Wire Harness Assembly (Incl. Ref. #24)	1
*	218-573	Fuse - 5A	1
*	3290-378	Tie - Cable	25

*Not Illustrated

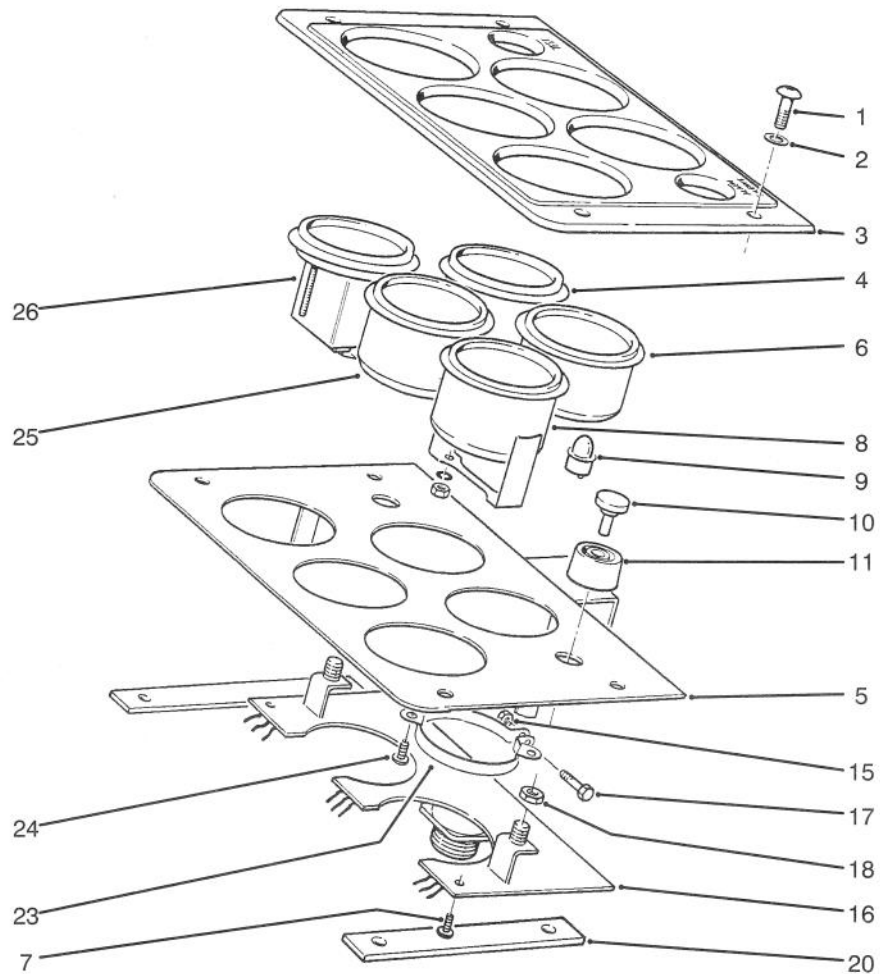


T-1458

DIAGNOSTIC DISPLAY ASSEMBLY

Ref. No.	Part No.	Description	No. Used
1	92-4087	Decal - Diagnostic V2.0 GM 580D	1

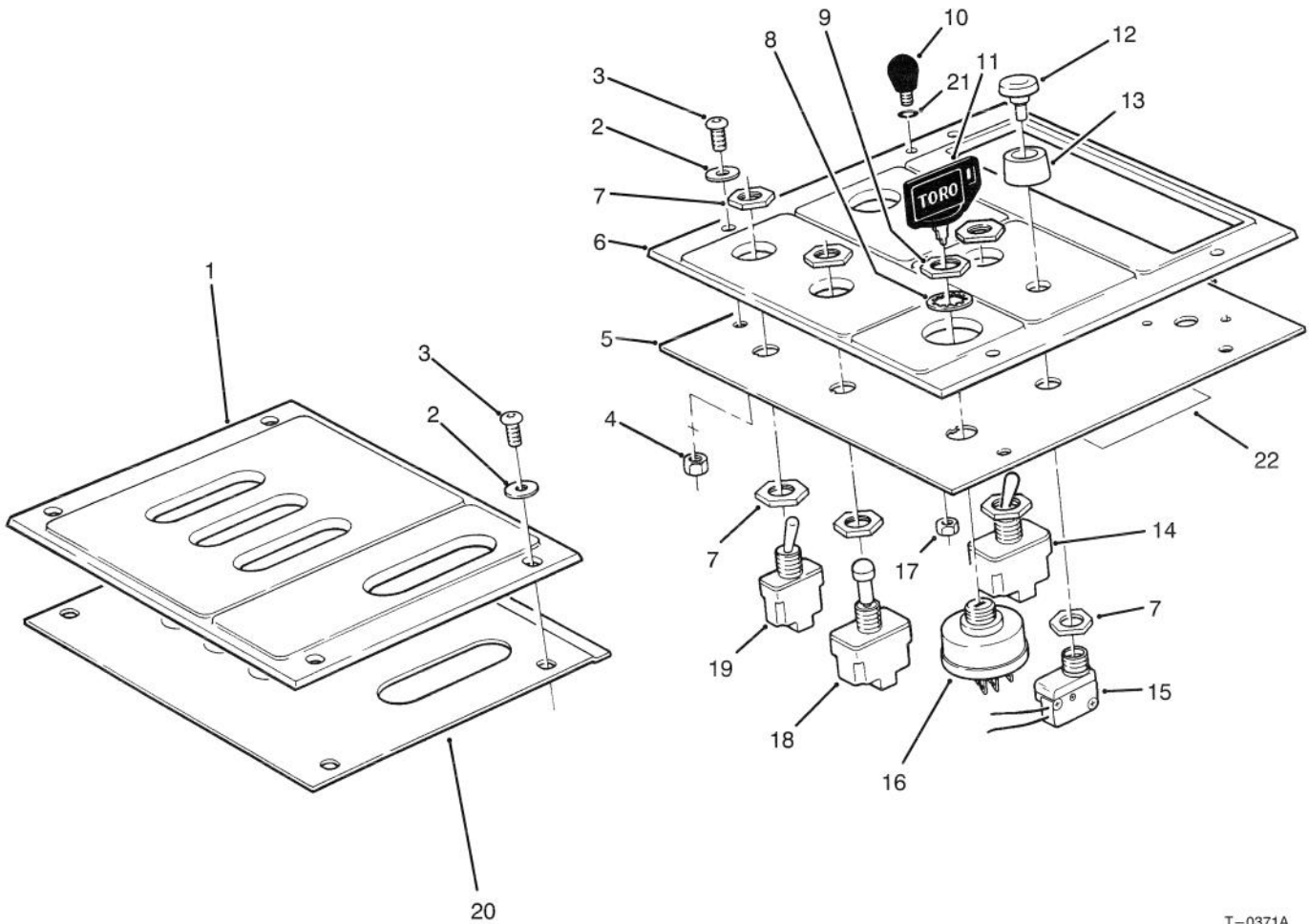
Ref. No.	Part No.	Description	No. Used
2	85-4750	Display - Diagnostic	1



T-1448

UPPER CONTROL PANEL ASSEMBLY

Ref. No.	Part No.	Description	No. Used	Ref. No.	Part No.	Description	No. Used
1	3290-133	Screw - Round Hd.	4	11	43-6420	Bezel	2
2	3256-23	Washer	4	15	3296-2	Nut - Lock	2
3	71-4230	Panel	1	16	92-1771	Board - Instrument	1
4	71-4210	Cluster - Warning Light	1	17	32105-1	Screw - Cap Hex. Hd.	2
5	86-7410	Plate - Gage	1	18	218-498	Nut	2
6	71-4200	Cluster - Warning Light	1	20	71-4250	Spacer	2
7	32104-16	Screw - Tapping	4	23	69-4780	Clamp - Gauge	2
8	63-7430	Gauge - Temperature	1	24	32144-19	Screw - Round Hd.	4
9	219-17	Bulb - Light	8	25	66-2940	Gauge - Fuel	1
10	43-6280	Button	1	26	66-2950	Hourmeter	1



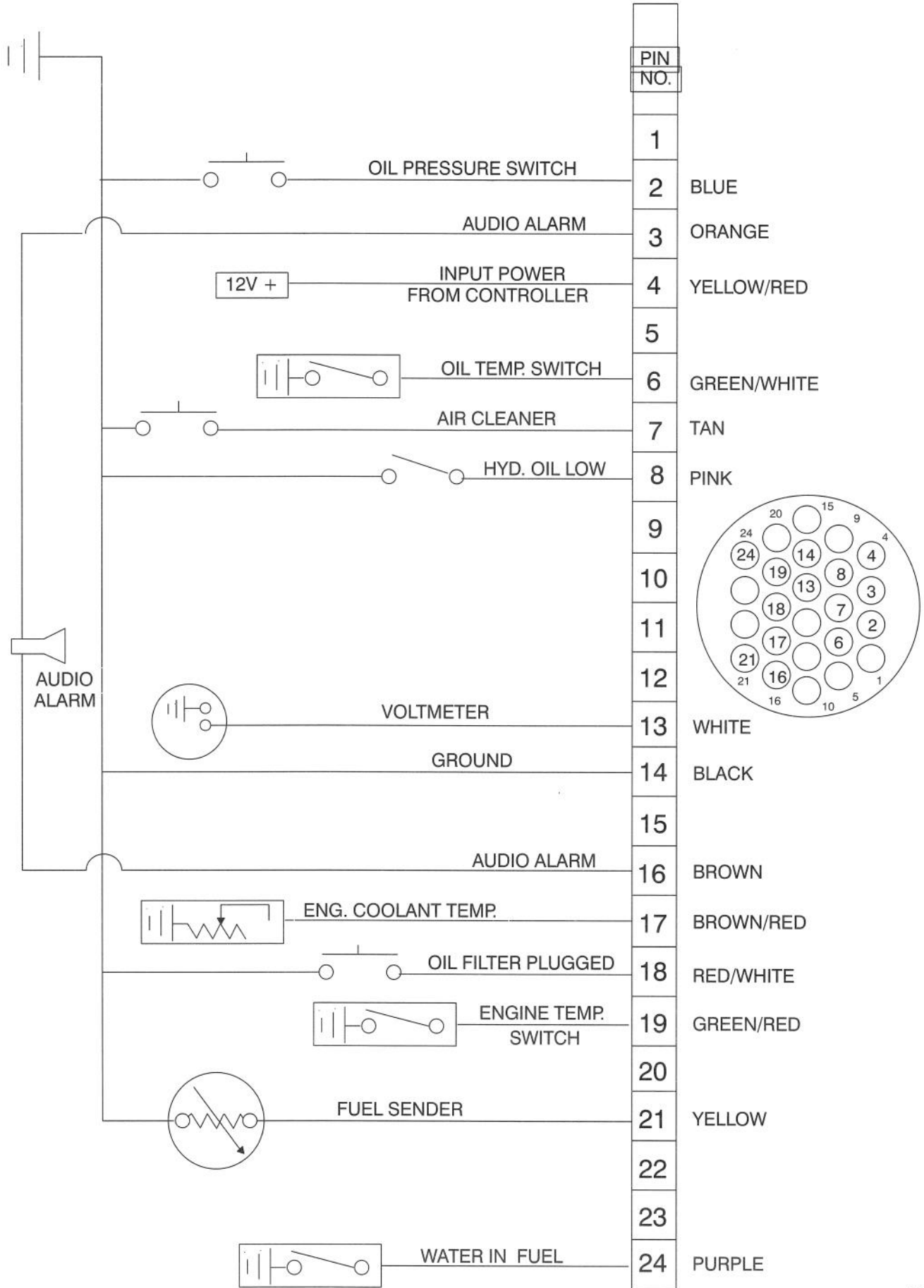
T-0371A

LOWER CONTROL PANEL ASSEMBLY

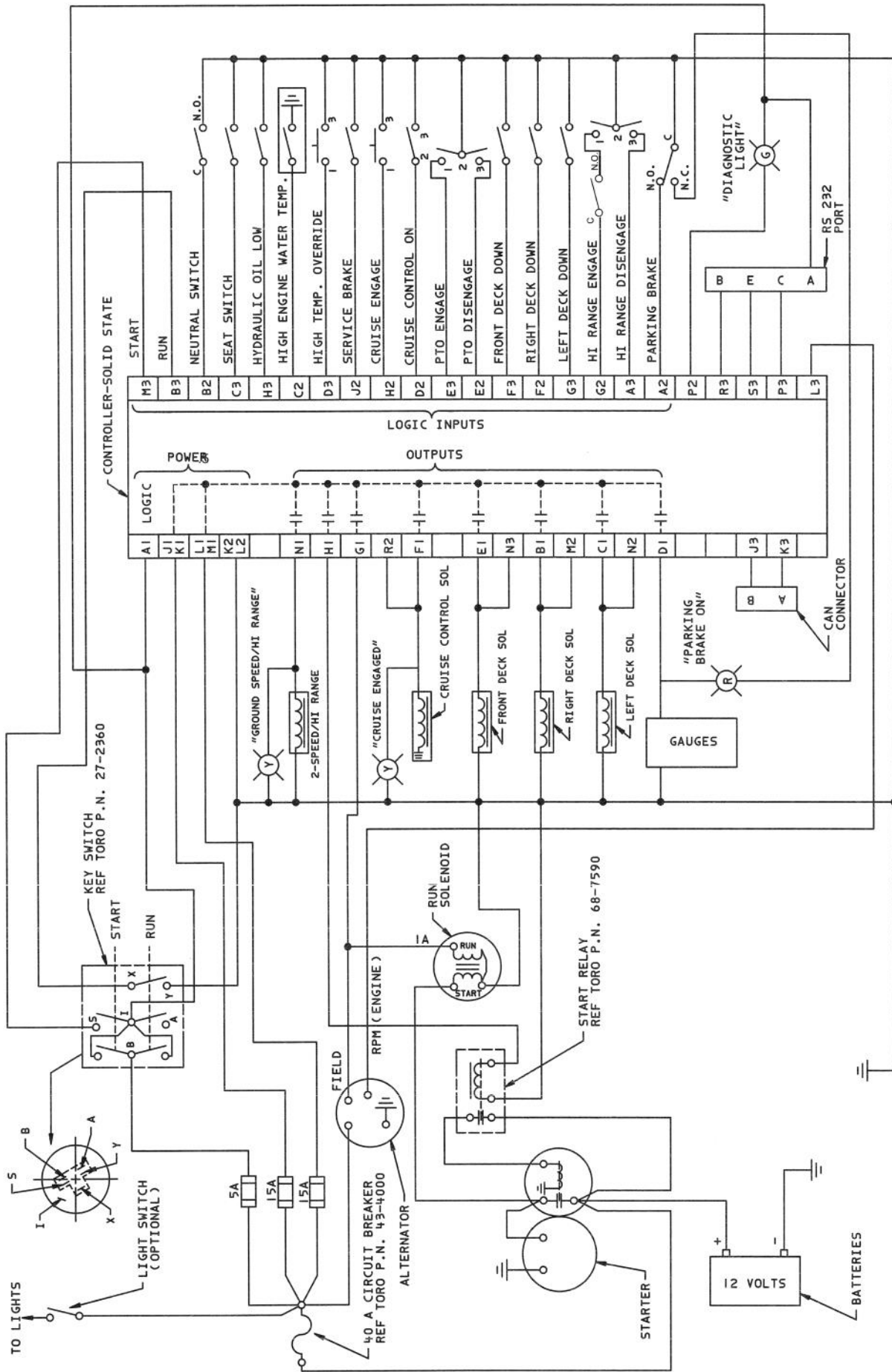
Ref. No.	Part No.	Description	No. Used
1	69-0980	Panel - Lever	1
2	3256-22	Washer - Flat	8
3	3290-133	Screw - Round Hd.	8
4	3296-42	Nut - Lock	4
5	71-2460	Plate - Control	1
6	69-0990	Panel - Control	1
7	218-498	Nut - Hex	10
8	218-447	Washer - Lock	1
9	218-446	Nut - Hex	1
10	233-66	Knob	1
11	63-8360	Key - Ignition	1
12	43-6280	Button - Switch	1
13	43-6420	Bezel - Switch	2
14	69-9740	Switch - Toggle (Incl. Ref. #7)	1

Ref. No.	Part No.	Description	No. Used
15	72-9760	Switch - Push Button (Incl. Ref. #7, 12 & 13)	2
16	27-2360	Switch - Ignition (Incl. Ref. #8 & 9)	1
17	3290-392	Nut - Lock	1
18	69-9730	Switch - Toggle (Incl. Ref. #7)	1
19	71-4170	Switch - Toggle (Incl. Ref. #7)	1
20	69-9310	Plate - Lever	1
21	3253-15	Washer - Lock	A/R
22	74-2340	Decal - Fuse	1

ELECTRICAL SCHEMATIC

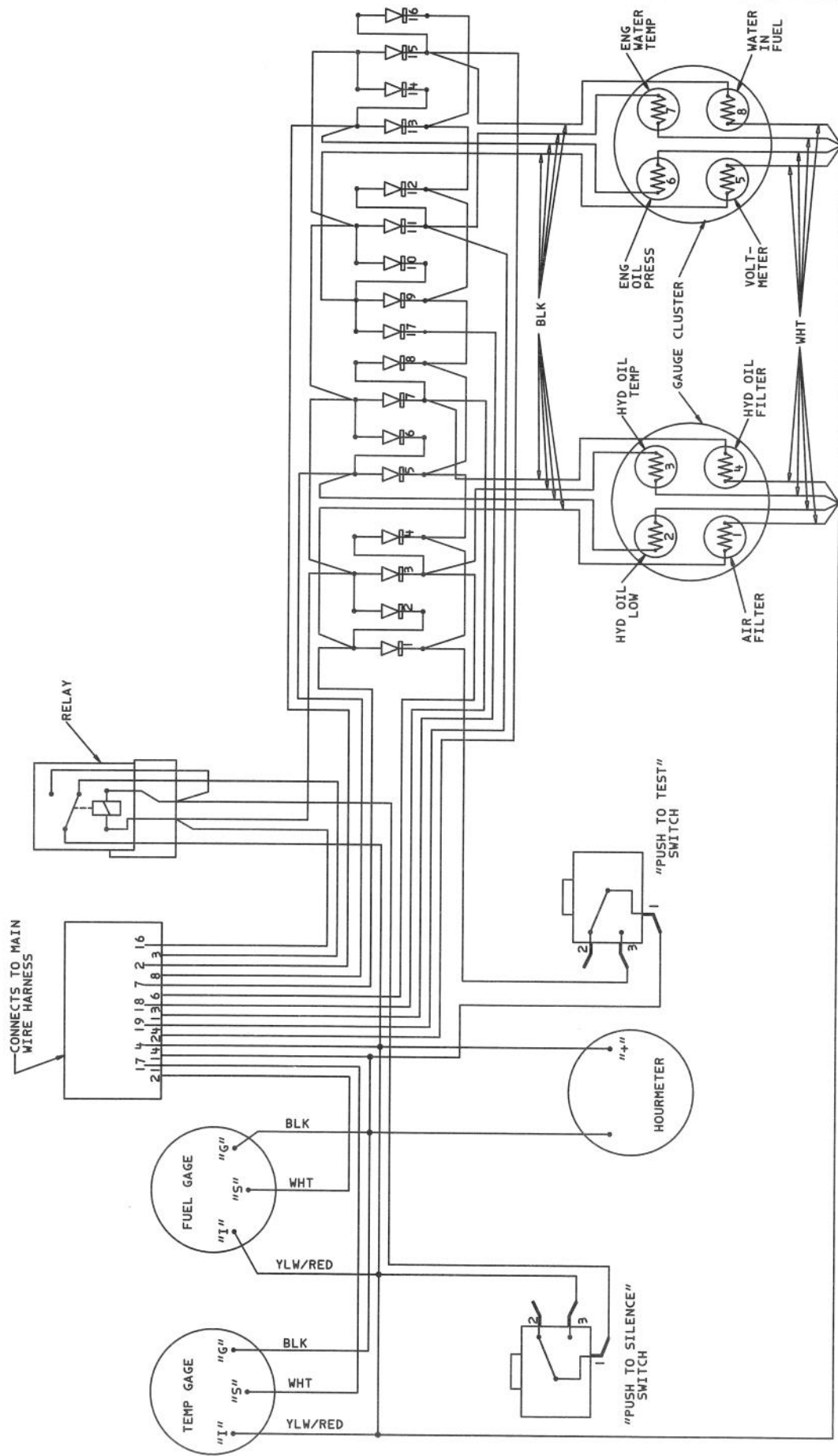


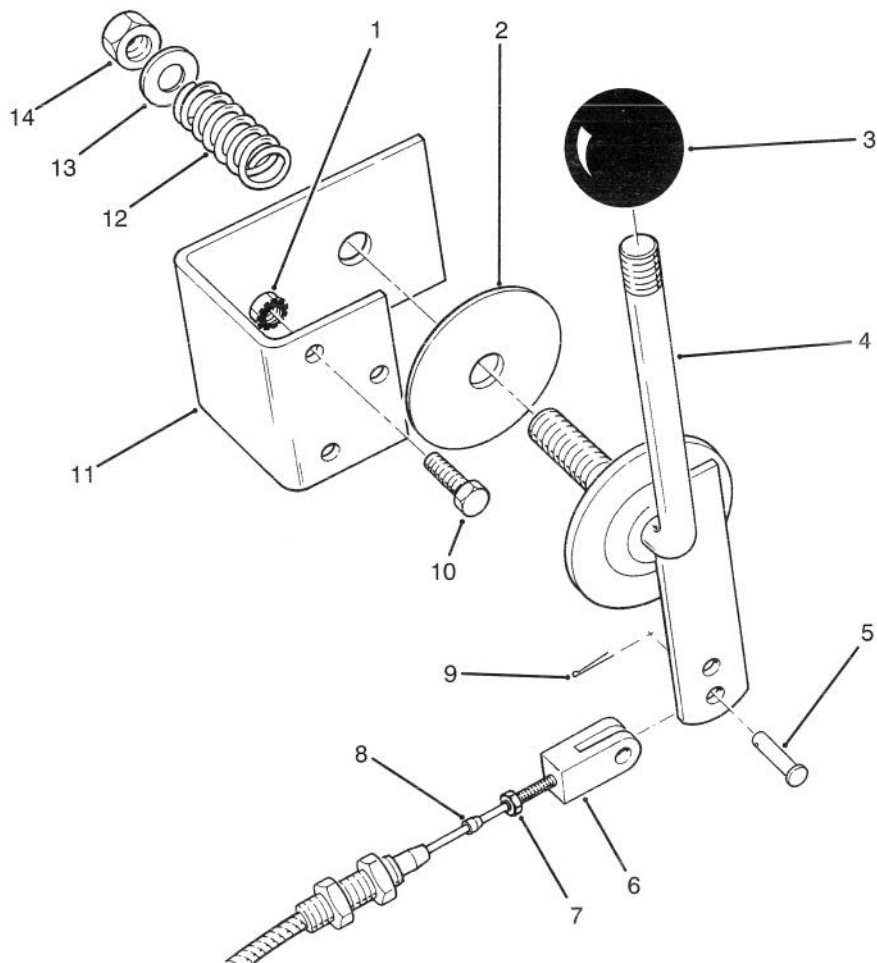
CONTROLLER ELECTRICAL SCHEMATIC



CONNECTION DIAGRAM

OPERATORS CONTROL PANEL ELECTRICAL SCHEMATIC





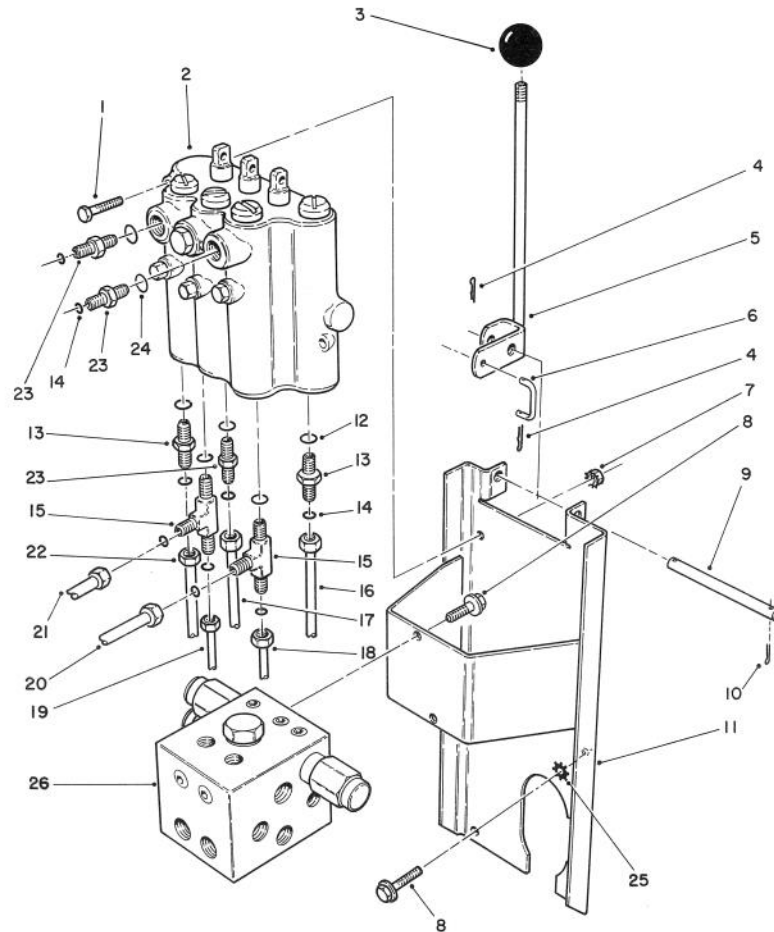
T-0352A

THROTTLE ASSEMBLY

Ref. No.	Part No.	Description	No. Used
1	3296-42	Nut - Keps	3
2	3-2858	Disc - Friction	1
3	233-48	Knob	1
4	69-8040	Arm - Throttle	1
5	283-67	Pin - Clevis Arm End	1
*	69-0090	Pin - Clevis Engine End	1
6	282-28	Clevis - Adjustable	2
7	3219-14	Nut - Hex.	2

Ref. No.	Part No.	Description	No. Used
8	77-2990	Cable - Throttle	1
9	3272-1	Pin - Cotter	3
10	321-3	Screw - Cap Hex. Hd.	3
11	69-9130	Bracket - Throttle	1
12	3-8596	Spring - Compression	1
13	3256-26	Washer - Flat	1
14	3296-23	Nut - Lock	1

*Not Illustrated



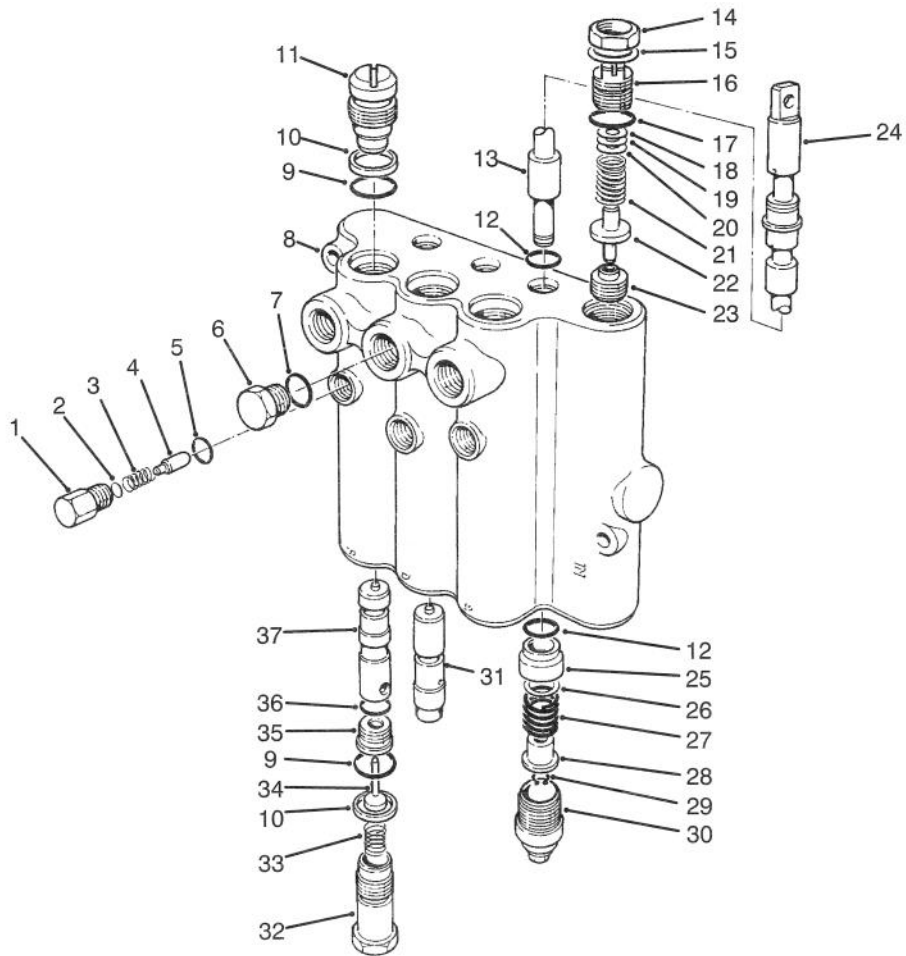
T-0355

LIFT VALVE INSTALLATION ASSEMBLY

Ref. No.	Part No.	Description	No. Used
1	321-10	Screw - Cap Hex. Hd.	2
2	69-1780	Lift Valve Assembly	1
3	233-42	Knob	3
4	3272-1	Pin - Cotter	6
5	69-7010	Lever - Valve L.H.	1
*	69-6990	Lever - Valve Mid.	1
*	69-7000	Lever - Valve R.H.	1
6	69-9140	Link - Valve Lever	3
7	32149-2	Nut - Keps	2
8	3234-14	Screw - Hex. Flange Hd.	6
9	69-9150	Shaft - Valve Lever	1
10	3272-6	Pin - Cotter	2
11	69-7810	Bracket - Valve	1
12	237-79	Seal - O-Ring	2
13	340-3	Fitting - Hydraulic Straight (Incl. Ref. #12 & 14)	2

Ref. No.	Part No.	Description	No. Used
14	237-22	Seal - O-Ring	9
15	340-86	Fitting - Hydraulic Tee (Incl. Ref. #14 & 24)	2
16	69-5860	Tube - Hydraulic	1
17	69-5720	Tube - Hydraulic	1
18	69-5700	Tube - Hydraulic	1
19	69-5740	Tube - Hydraulic	1
20	69-5680	Tube - Hydraulic	1
21	69-5890	Tube - Hydraulic	1
22	69-5870	Tube - Hydraulic	1
23	340-2	Fitting - Hydraulic Straight (Incl. Ref. #14 & 24)	3
24	237-42	Seal - O-Ring	5
25	3254-6	Washer - Lock	1
26	69-4060	Counterbalance Manifold Assembly	1

*Not Illustrated



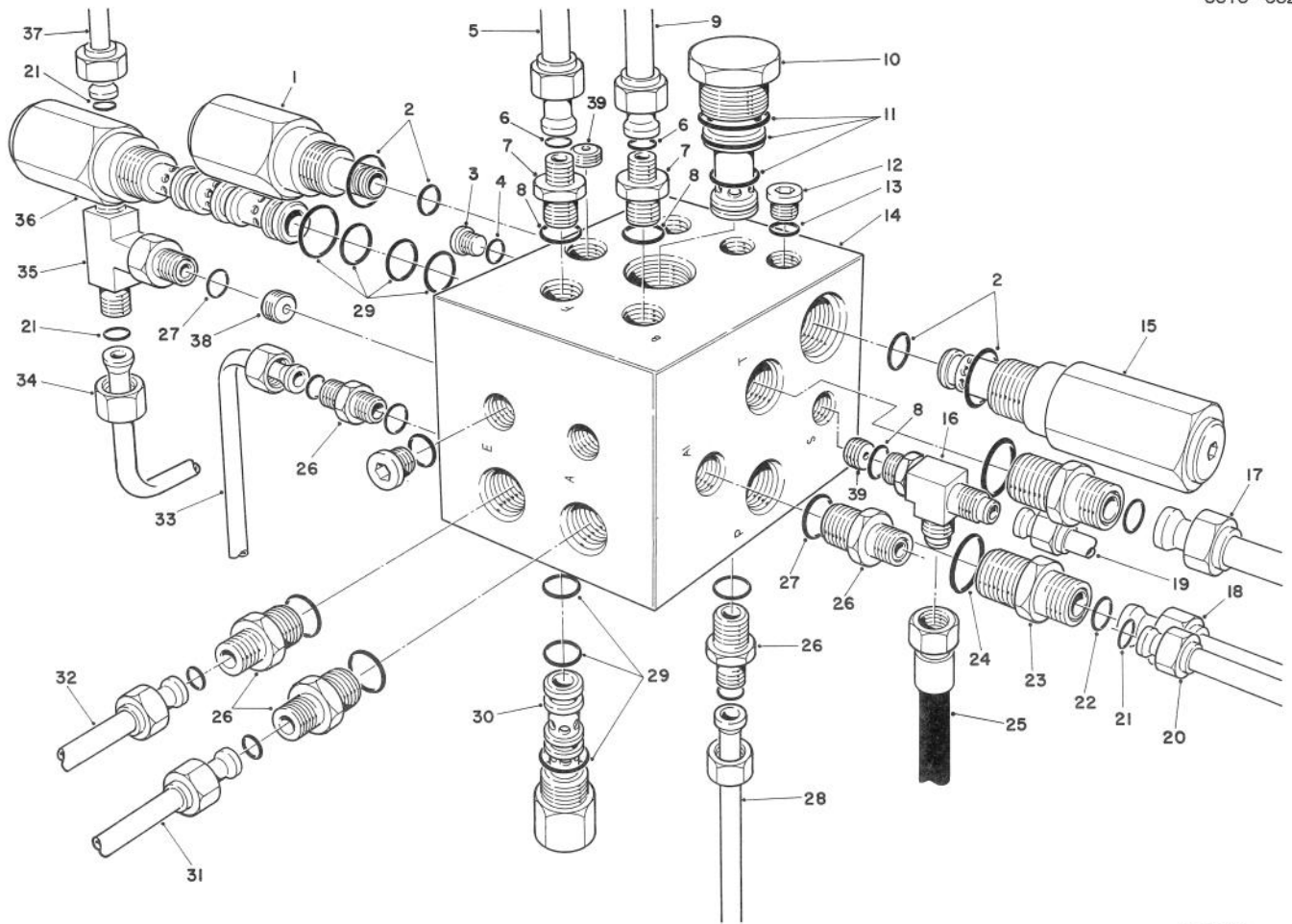
T-0379

LIFT VALVE ASSEMBLY NO. 69-1780

Ref. No.	Part No.	Description	No. Used	Ref. No.	Part No.	Description	No. Used
1	58-6780	Plug Assy. (Incl. Ref. #5)	3	21	69-1820	Spring - Black	1
2	60-6450	Disc	A/R	22	58-6440	Poppet	1
3	58-6760	Spring	3	†23		Seat	1
4	58-6770	Plunger - Detent	3	24	58-6320	Wiper - Seal	3
5	58-6790	Seal - O-Ring	3	25	58-6400	Bushing	3
6	58-6710	Plug Assy. (Incl. Ref. #7)	1	26	58-6700	Washer	3
7	58-6720	Seal - O-Ring	1	27	58-6730	Spring	3
†8		Body	1	28	58-6310	Spacer	3
9	60-5720	Seal - O-Ring	6	29	58-6460	Ring - Retaining	3
10	58-6370	Washer - Back-Up	6	30	58-6420	Cap Assembly	3
11	58-6350	Plug Assembly (Incl. Ref. #9-10)	3	31	69-1840	Plunger	1
12	58-6450	Seal - O-Ring	6	32	69-1800	Plug Assembly (Incl. Ref. #9-10)	3
†13		Spool	3	33	69-1810	Spring	3
14		Nut - Lock	1	34	58-6290	Poppet Assembly	3
15		Washer	1	35	58-6330	Seat Assy. (Incl. Ref. #36)	3
16	69-1830	Plug Assembly (Incl. Ref. #14, 15 & 17)	1	36	58-6340	Seal - O-Ring	3
17	58-6750	Seal - O-Ring	1	37	69-1790	Plunger	2
18	58-6470	Washer	A/R	*	60-3780	Seal Kit (Incl. Ref. #5, 7, 9, 10, 12, 17, 24, 29, 34, & 36)	
19	58-6480	Washer	A/R				
20	58-6490	Washer	A/R				

*Not Illustrated

†Not Serviceable Separately



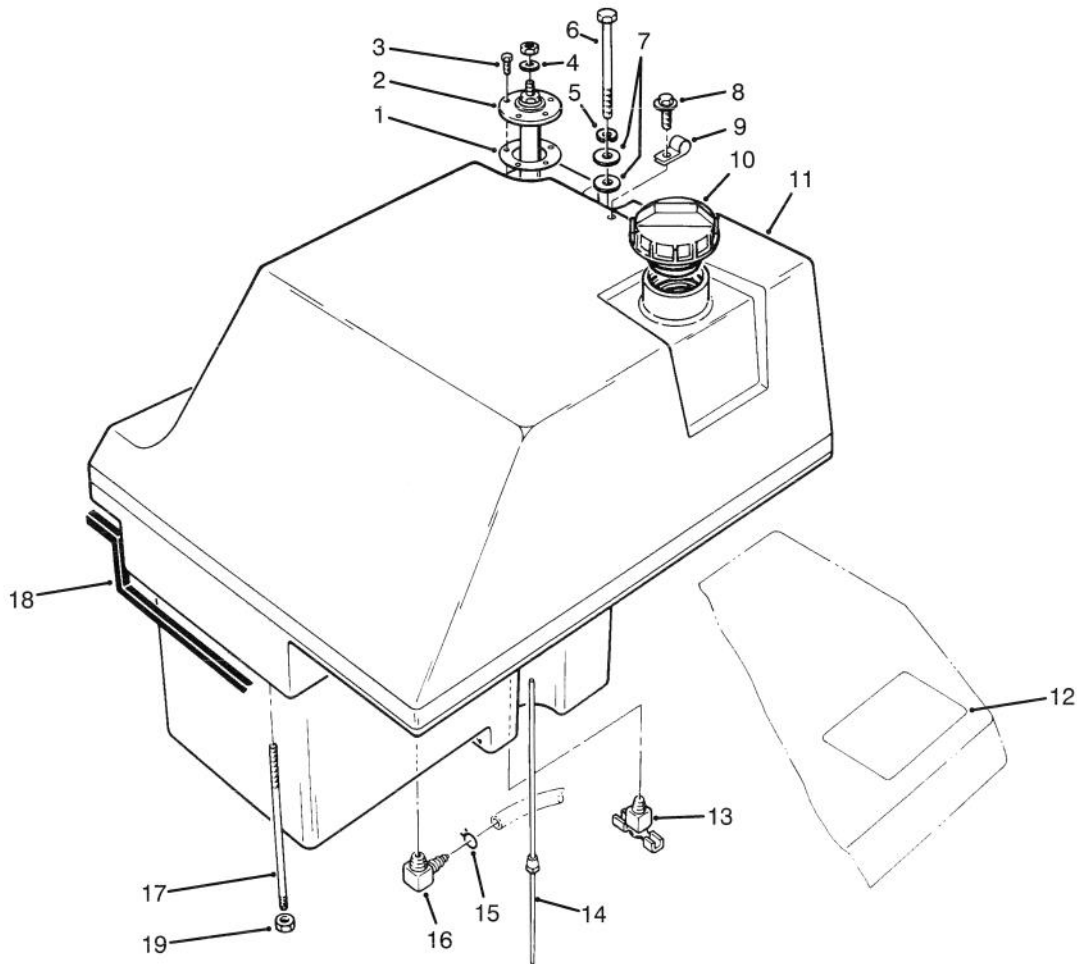
T-0356A

COUNTERBALANCE MANIFOLD ASSEMBLY

Ref. No.	Part No.	Description	No. Used
1	69-4080	Valve - Hydraulic Cartridge (Incl. Ref. #2)	1
2	69-4230	Kit - Seal	2
3	353-990	Plug - Hose (Incl. Ref. #4)	2
4	237-78	Seal - O-Ring	2
5	69-5890	Tube - Hydraulic	1
6	237-21	Seal - O-Ring	2
7	340-92	Fitting - Hydraulic Straight (Incl. Ref. #6 & 8)	2
8	237-78	Seal - O-Ring	3
9	69-5680	Tube - Hydraulic	1
10	69-4120	Valve - Hydraulic Cartridge (Incl. Ref. #11)	1
11	69-4240	Kit - Seal	1
12	353-991	Plug - Hole (Incl. Ref. #13)	8
13	237-156	Seal - O-Ring	8
14	69-4070	Manifold - Counter Balance	1
15	69-4100	Valve - Hydraulic Cartridge (Incl. Ref. #2)	1
16	353-566	Tee - Hydraulic (Incl. Ref. #8)	1
17	92-4967	Tube - Hydraulic	1
18	69-5850	Tube - Hydraulic	1
19	69-5910	Tube - Hydraulic	1
20	69-5710	Tube - Hydraulic	1
21	237-22	Seal - O-Ring	7

Ref. No.	Part No.	Description	No. Used
22	237-30	Seal - O-Ring	2
23	340-4	Fitting - Hydraulic Straight (Incl. Ref. #22 & 24)	2
24	237-79	Seal - O-Ring	2
25	69-5660	Hose - Hydraulic Diagnostic	1
26	340-2	Fitting - Hydraulic Straight (Incl. Ref. #21 & 27)	5
27	237-42	Seal - O-Ring	6
28	69-5870	Tube - Hydraulic	1
29	69-4250	Kit - Seal	3
30	69-4110	Valve - Hydraulic Cartridge (Incl. Ref. #29)	2
31	69-5820	Tube - Hydraulic	1
32	69-5830	Tube - Hydraulic	1
33	69-5730	Tube - Hydraulic	1
34	69-5860	Tube - Hydraulic	1
35	340-94	Tee - Hydraulic (Incl. Ref. #21 & 27)	1
36	69-4090	Valve - Hydraulic Cartridge (Incl. Ref. #29)	1
37	69-5920	Tube - Hydraulic	1
*	69-4060	Counterbalance Manifold (Incl. Ref. #1-4, 10-15, 29, 30 & 36)	1
38	69-4140	Plug - Orifice .120	1
39	69-4130	Plug - Orifice .047	2

*Not Illustrated

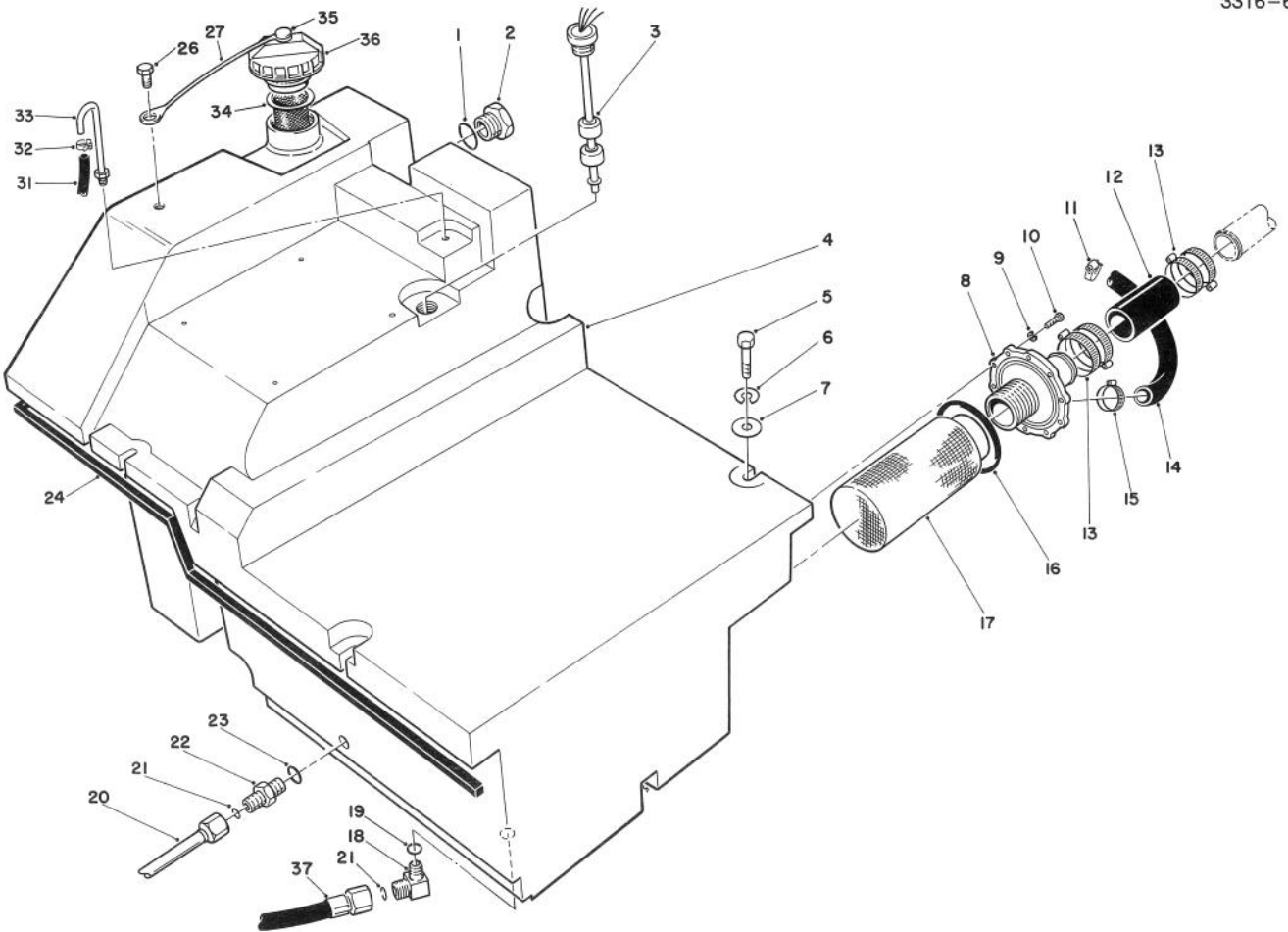


T-0353A

FUEL TANK ASSEMBLY

Ref. No.	Part No.	Description	No. Used
1	62-7650	Gasket - Level Sensing Unit	1
2	70-6990	Level Sensing Unit Assembly	1
3	32140-40	Screw - Cap Hex. Hd.	5
4	5-3637	Spacer - Terminal	1
5	3253-21	Washer - Lock	2
6	323-21	Screw - Cap Hex. Hd.	1
7	3256-5	Washer - Flat	2
8	3234-13	Screw - Hex. Washer Hd.	1
9	2412-89	Clamp - R	1
10	70-8620	Cap - Fuel	1

Ref. No.	Part No.	Description	No. Used
11	80-0010	Tank - Fuel	1
12	69-0930	Decal - Warning	1
13	304-46	Drain - Fuel Tank	1
14	69-7200	Tube - Vent	1
15	2412-6	Clamp - Hose	1
16	353-536	Fitting - Fuel 90 Elbow	1
17	72-9550	Stud - Fuel Tank	1
18	68-7572	Strip - Sealing	1
19	3217-7	Nut - Hex.	1



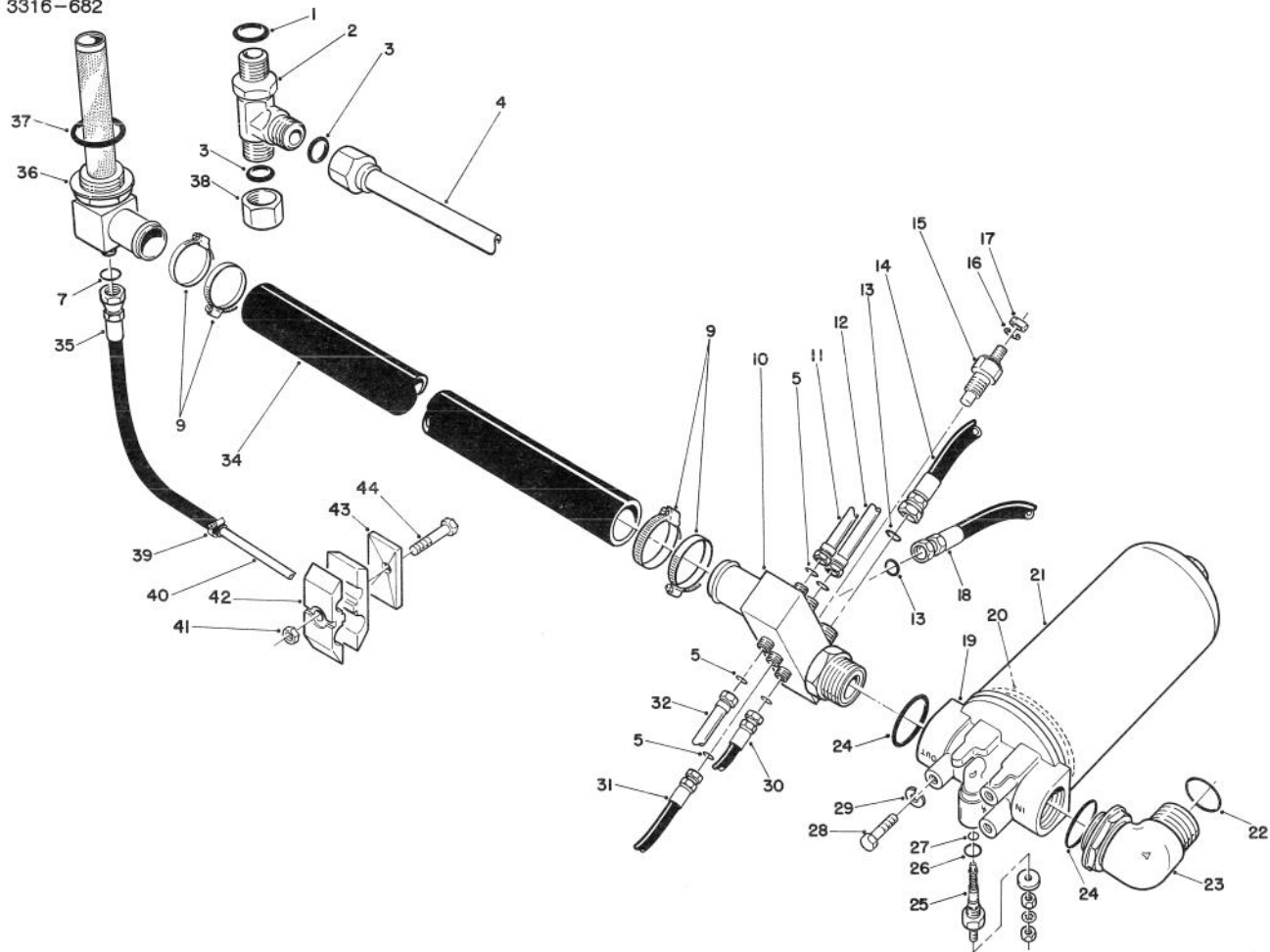
T-0354A

HYDRAULIC TANK ASSEMBLY

Ref. No.	Part No.	Description	No. Used
1	237-81	Seal - O-Ring	1
2	69-1170	Gauge - Sight (Incl. Ref. #1)	1
3	85-6260	Level Sensing Unit	1
4	77-5390	Tank - Hydraulic	1
5	323-10	Screw - Cap Hex. Hd.	4
6	3253-21	Washer - Lock	4
7	5-3177	Washer - Flat	4
8	69-1610	Adapter - Suction Hose	1
9	3253-3	Washer - Lock	10
10	321-5	Screw - Cap Hex. Hd.	10
11	2412-34	Clamp - Hose	1
12	69-5640	Hose - Suction	1
13	2412-42	Clamp - Hose	4
14	69-5370	Hose - Auxiliary Suction	1
15	2412-3	Clamp - Hose	1
16	237-157	Seal - O-Ring	1
17	69-1650	Screen - Suction	1

Ref. No.	Part No.	Description	No. Used
18	340-130	Fitting - Hydraulic 90° (Incl. Ref. #19 & 21)	1
19	237-80	Seal - O-Ring	3
20	69-5800	Tube - Hydraulic	1
21	237-22	Seal - O-Ring	2
22	340-3	Fitting - Hydraulic Straight (Incl. Ref. #21 & 23)	1
23	237-79	Seal - O-Ring	1
24	68-7571	Strip - Sealing	1
26	321-2	Screw - Cap, Hex. Hd.	1
27	75-0540	Tether - Cap, Reservoir	1
31	71-2680	Hose - Vent	1
32	2412-108	Clamp - Hose	2
33	69-4280	Tube - Hydraulic Vent	1
34	61-2790	Filler - Screen	1
35	2410-73	Pin - Tether	1
36	70-8640	Cap - Hydraulic (Incl. Ref. #27 & 35)	1
37	92-4970	Hose - Hydraulic	1

3316-682

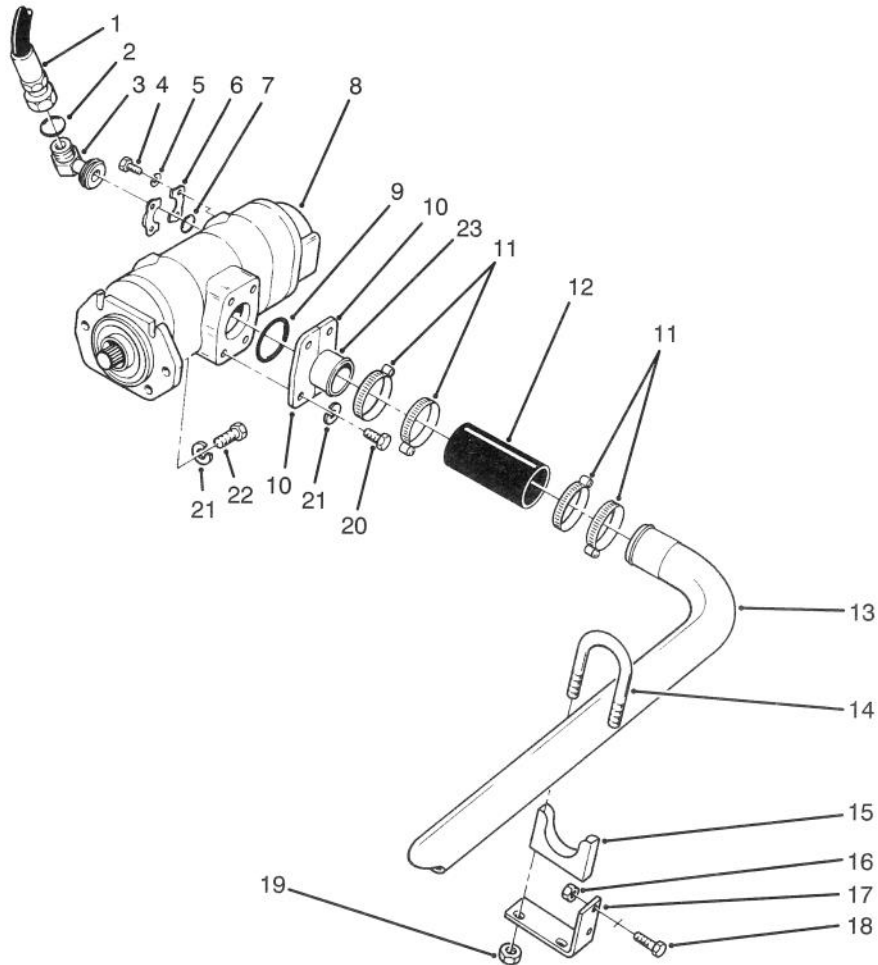


T-0367A

HYDRAULIC FILTER ASSEMBLY

Ref. No.	Part No.	Description	No. Used	Ref. No.	Part No.	Description	No. Used
1	237-80	Seal - O-Ring	1	22	340-65	Seal - O-Ring	1
2	340-22	Fitting - Hydraulic Tee (Incl. Ref. #1 & 3)	1	23	340-79	Fitting - Hydraulic 90° (Incl. Ref. #22 & 24)	1
3	237-65	Seal - O-Ring	2	24	237-101	Seal - O-Ring	2
4	92-4807	Tube - Hydraulic	1	25	69-1710	Indicator - Filter (Incl. Ref. #26 & 27)	1
5	237-22	Seal - O-Ring	3	†26		Seal - O-Ring	1
7	237-58	Seal - O-Ring	1	†27		Seal - O-Ring	1
9	2412-92	Clamp - Hose	4	28	323-4	Screw - Cap Hex. Hd.	3
10	69-5410	Manifold - Return (Incl. Ref. #5, 13 & 24)	1	29	3253-21	Washer - Lock	3
11	69-6000	Tube - Hydraulic (Incl. Ref. #5)	1	30	69-5440	Hose - Hydraulic	1
12	69-5990	Tube - Hydraulic (Incl. Ref. #5)	1	31	69-8440	Hose - Hydraulic	1
13	237-30	Seal - O-Ring	2	32	69-5950	Tube - Hydraulic	1
14	69-5460	Hose - Hydraulic	1	34	74-2660	Hose - Hydraulic Return	1
15	39-7592	Temperature Sending Unit	1	35	92-2352	Hose - Hydraulic	1
16	3253-2	Washer - Lock	1	36	92-2351	Fitting - Tank Return (Incl. Ref. #7 & 37)	1
17	3219-14	Nut - Hex.	1	37	340-136	Seal - O-Ring	1
18	69-5650	Hose - Hydraulic	1	38	340-150	Cap - Hydraulic	1
19	69-1700	Hydraulic Filter Assembly (Incl. Ref. #20, 21 & 25-27)	1	39	2412-129	Clamp - Hose	1
20	237-155	Seal - O-Ring	1	40	92-1742	Tube - Hydraulic	1
21	69-1720	Element - Filter (Incl. Ref. #20)	1	41	32152-1	Nut - Lock	3
				42	56-7978	Clamp Half - Hydraulic Line	6
				43	69-9761	Plate - Cover	3
				44	322-12	Screw - Cap Hex. Hd.	3

†Not serviceable separately.



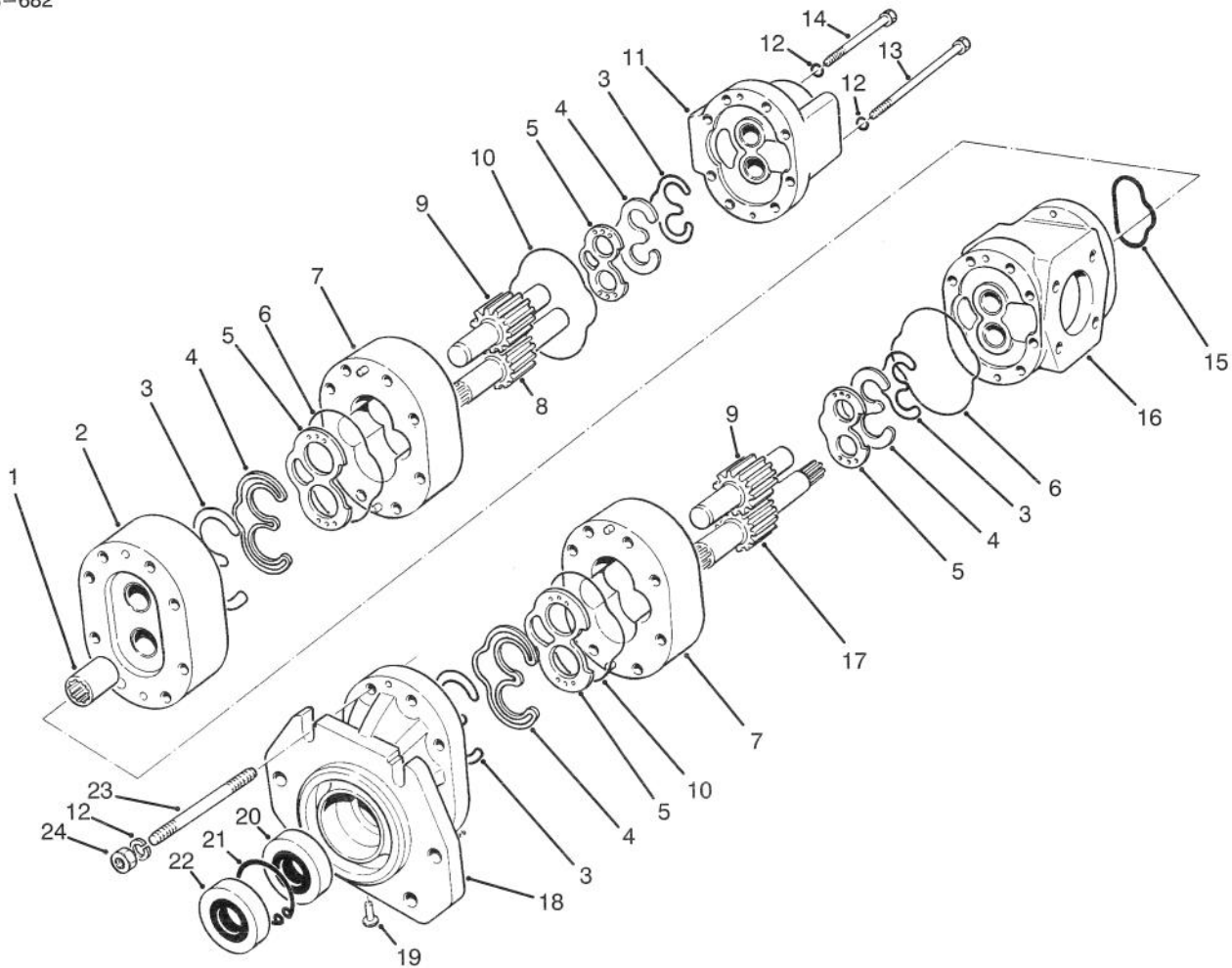
T-0349

HYDRAULIC PUMP INSTALLATION ASSEMBLY

Ref. No.	Part No.	Description	No. Used
1	69-5590	Hydraulic Hose Assembly	2
2	237-58	Seal - O-Ring	2
3	69-6240	Fitting - Hydraulic 90° (Incl. Ref # 2 & 7)	2
4	323-7	Screw - Cap Hex. Hd.	8
5	3253-21	Washer - Lock	8
6	353-992	Flange - Fitting	4
7	340-135	Seal - O-Ring	2
8	69-2050	Hydraulic Pump Assembly	1
9	237-116	Seal - O-Ring	1
10	354-42	Flange - Half	2
11	2412-42	Clamp - Hose	4
12	69-5640	Hose - Hydraulic	1

Ref. No.	Part No.	Description	No. Used
13	69-6110	Hydraulic Tube Assembly	1
†14		Bolt - U	2
15	20-4840	Clamp - Tube (Incl. Ref. #14 & 19)	2
16	32152-2	Nut - Lock	4
17	69-9220	Support - Tube Clamp	2
18	323-6	Screw - Cap Hex. Hd.	4
19	32128-25	Nut - Lock	4
20	325-6	Screw - Cap Hex. Hd.	4
21	3253-7	Washer - Lock	8
22	3213-2	Screw - Cap Hex. Hd.	4
23	74-2270	Fitting - Suction	1

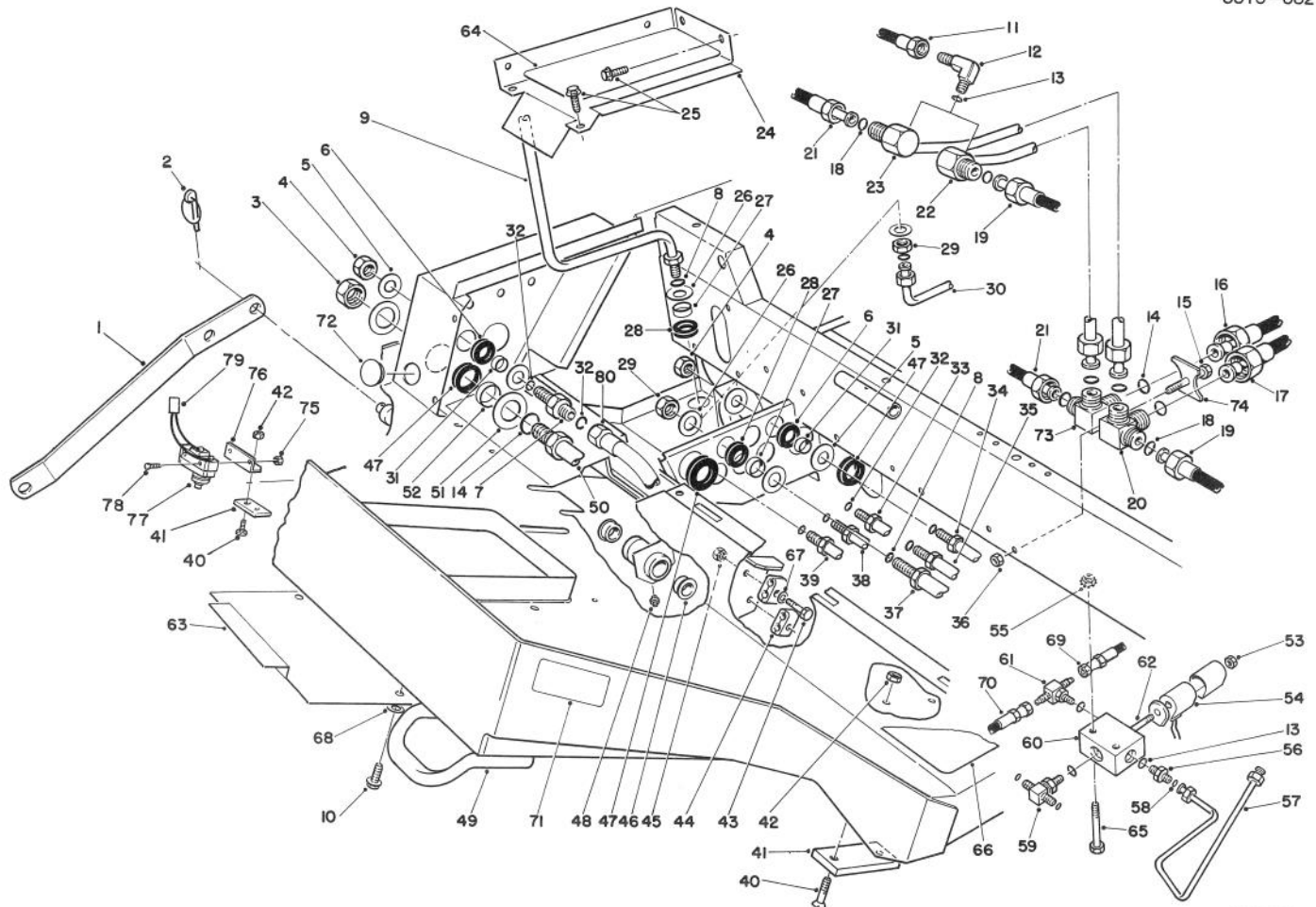
†Not serviceable separately.



DOUBLE GEAR PUMP NO. 69-2050

Ref. No.	Part No.	Description	No. Used
1	69-2110	Coupling	1
2	69-2170	Adapter Section Assembly	1
3	59-7990	Seal - Gland	4
4	59-8470	Retainer - Seal	4
5	69-2070	Plate - Flex	4
6	69-2200	Seal - O-Ring	2
7	69-2080	Center Section Assembly	2
8	69-2090	Gear/Shaft - Rear Drive	1
9	59-8600	Gear - Driven	2
10	69-2120	Seal - O-Ring	2
11	69-2100	Rear Cover Assembly	1
12	59-7590	Washer - Lock	16
13	69-2150	Screw - Cap Hex. Hd.	4

Ref. No.	Part No.	Description	No. Used
14	69-2140	Screw - Cap Hex. Hd.	4
15	69-2210	Seal - O-Ring	1
16	69-2160	Port Section Assembly	1
17	59-8500	Gear/Shaft - Front Drive	1
18	69-2060	Shaft End Cover Assembly	1
19	69-2130	Plug	1
20	59-8590	Seal - Shaft	1
21	59-8580	Ring - Retaining	1
22	59-8570	Seal - Shaft	1
23	59-7970	Stud - Threaded	8
24	59-7580	Nut - Hex.	8
*	59-8610	Repair Kit (Incl. Ref. #3, 4, 20 & 22)	1



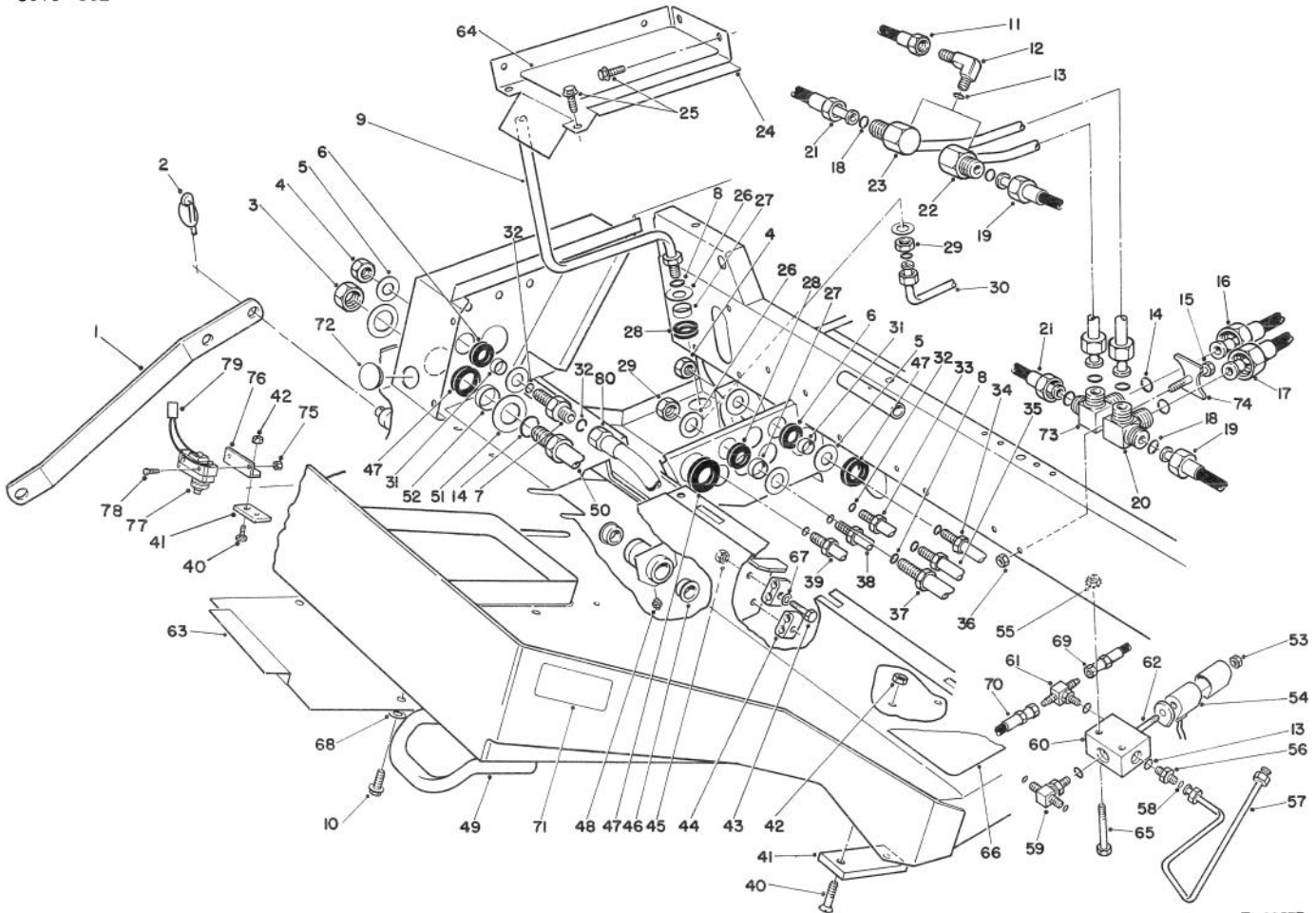
T-0357B

FRAME ASSEMBLY

Ref. No.	Part No.	Description	No. Used
1	85-6190	Link - Deck Tilt	1
2	3290-495	Pin - Lynch	2
3	340-126	Nut - Bulkhead	2
4	340-70	Nut - Bulkhead	6
5	69-8940	Washer	12
6	240-4	Grommet	6
7	340-71	Fitting - Hydraulic Bulkhead (Incl. Ref. #32)	1
8	237-30	Seal - O-Ring	3
9	92-4967	Tube - Hydraulic (Incl. Ref. #8)	1
10	3234-28	Screw - Hex. Flange Hd.	2
11	69-5660	Hose - Hydraulic	2
12	353-375	Fitting - Hydraulic 90° (Incl. Ref. #13)	2
13	237-78	Seal - O-Ring	5
14	237-58	Seal - O-Ring	4
15	3274-86	Screw - Cap Socket Hd.	1
16	69-5470	Hose - Hydraulic	1
17	69-5480	Hose - Hydraulic	1
18	237-65	Seal - O-Ring	6
19	83-4330	Assy. - Tube, Traction L.H.	2
20	83-8350	Fitting - Traction, L.H. (Incl. Ref. #14 & 18)	1
21	83-4340	Assy. - Tube, Traction R.H.	2

Ref. No.	Part No.	Description	No. Used
22	69-6200	Tube - Hydraulic (Incl. Ref. #18)	1
23	69-6190	Tube - Hydraulic (Incl. Ref. #18)	1
24	71-2450	Cover - Access	1
25	3234-14	Screw - Hex. Flange Hd.	4
26	69-8930	Washer	4
27	69-8960	Spacer	2
28	240-5	Grommet	2
29	340-127	Nut - Bulkhead	2
30	85-6150	Tube - Hydraulic	1
31	69-8970	Spacer	6
32	237-22	Seal - O-Ring	7
33	69-6050	Tube - Hydraulic (Incl. Ref. #32)	1
34	69-6040	Tube - Hydraulic (Incl. Ref. #32)	1
35	69-6030	Tube - Hydraulic (Incl. Ref. #32)	1
36	32152-1	Nut - Lock	1
37	69-5790	Tube - Hydraulic (Incl. Ref. #8)	1
38	69-6060	Tube - Hydraulic (Incl. Ref. #32)	1
39	92-1747	Tube - Hydraulic (Incl. Ref. #32)	1

*Not Illustrated



T-0357B

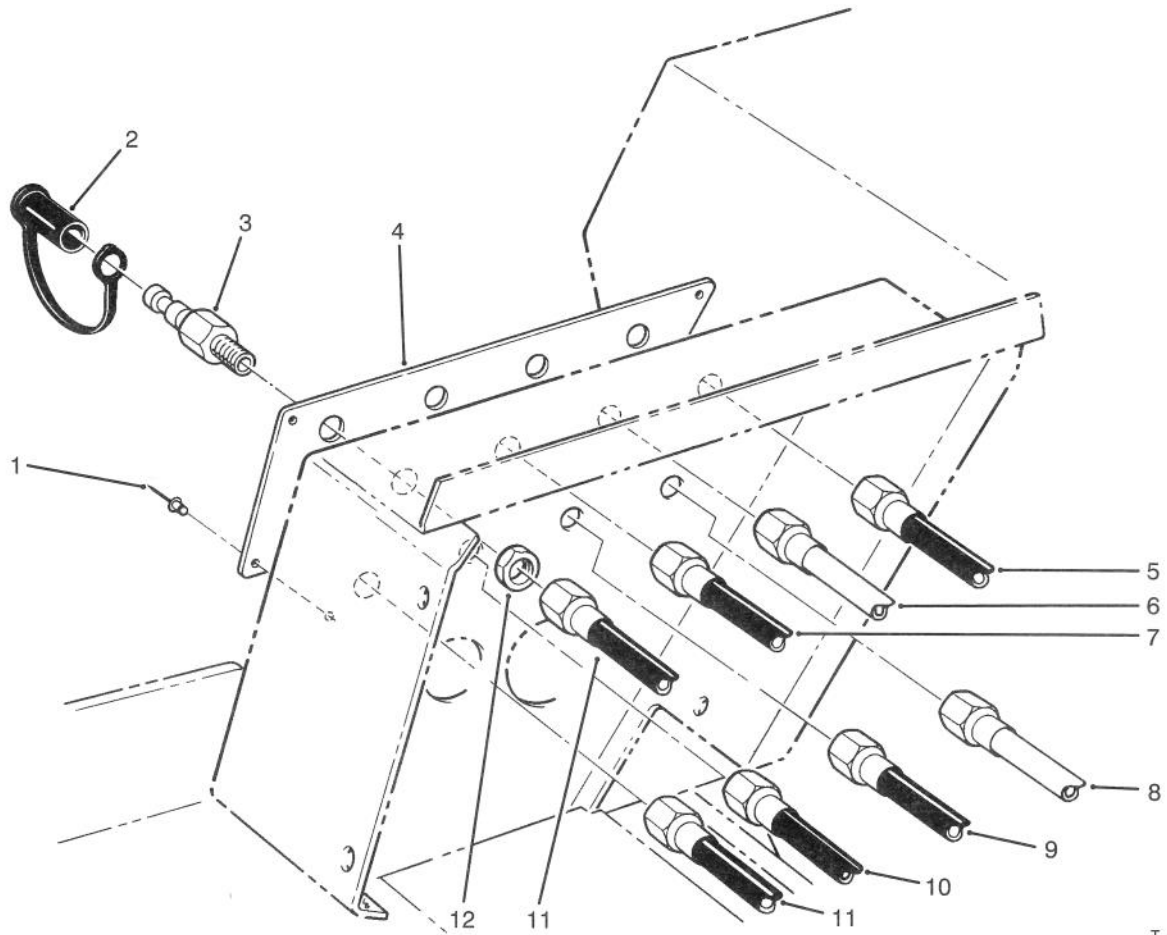
FRAME ASSEMBLY (Continued)

Ref. No.	Part No.	Description	No. Used
40	32108-103	Screw - Machine Flat Hd.	4
41	69-9300	Cushion - Rubber	2
42	32152-1	Nut - Lock	4
43	321-9	Screw - Cap Hex. Hd.	2
44	56-7973	Clamp Half - Hydraulic Line	4
45	32152-4	Nut - Lock	2
46	256-247	Bushing - Flange	2
47	240-7	Grommet	4
48	302-5	Fitting - Grease	1
49	69-0100	Frame - Assembly (Incl. Ref. #46 & 48)	1
50	69-6100	Tube - Hydraulic Pressure (Incl. Ref. #14)	1
*	69-5810	Tube - Hydraulic Return (Incl. Ref. #14)	1
51	69-8910	Washer	4
52	69-8900	Spacer	2
53	3220-4	Nut	1
54	92-3048	Solenoid Coil Kit	3
55	32149-2	Nut - Keps	2
56	340-92	Fitting - Hydraulic (Incl. Ref. #13 & 58)	1
57	69-5950	Tube - Hydraulic	1
58	237-21	Seal - O-Ring	3
59	340-125	Fitting - Hydraulic (Incl. Ref. #13 & 58)	1
†60		Body - Valve	1

Ref. No.	Part No.	Description	No. Used
61	340-123	Fitting - Hydraulic (Incl. Ref. #13)	1
62	92-3047	Valve - Solenoid (Incl. Ref. #53)	1
63	69-9470	Cover - Access	1
64	71-0430	Cover - Abrasive	1
65	321-11	Screw - Cap Hex. Hd.	2
66	71-0420	Floor - Abrasive	1
67	3256-56	Washer - Flat	2
68	3256-23	Washer - Flat	2
69	69-5663	Hose - Diagnostic	1
70	69-5664	Hose - Diagnostic	1
71	72-4080	Decal - Danger	2
72	2410-10	Plug - Button	1
73	83-8360	Fitting - Traction, R.H.	1
74	83-8370	Plate - Clamp	1
75		Nut - Lock	2
76	88-9280	Bracket - Switch	1
77	29-6163	Switch	1
78	3249-11	Screw	2
79	88-9510	Wire - Switch	1
80	92-4970	Hose - Hydraulic	1
*	92-3049	Valve Seal Kit	1
*	71-2630	Solenoid Valve Assembly (Incl. Ref. #53, 54, 60, 62 & Valve Seal Kit #92-3049)	1

*Not Illustrated

†Not serviceable separately.

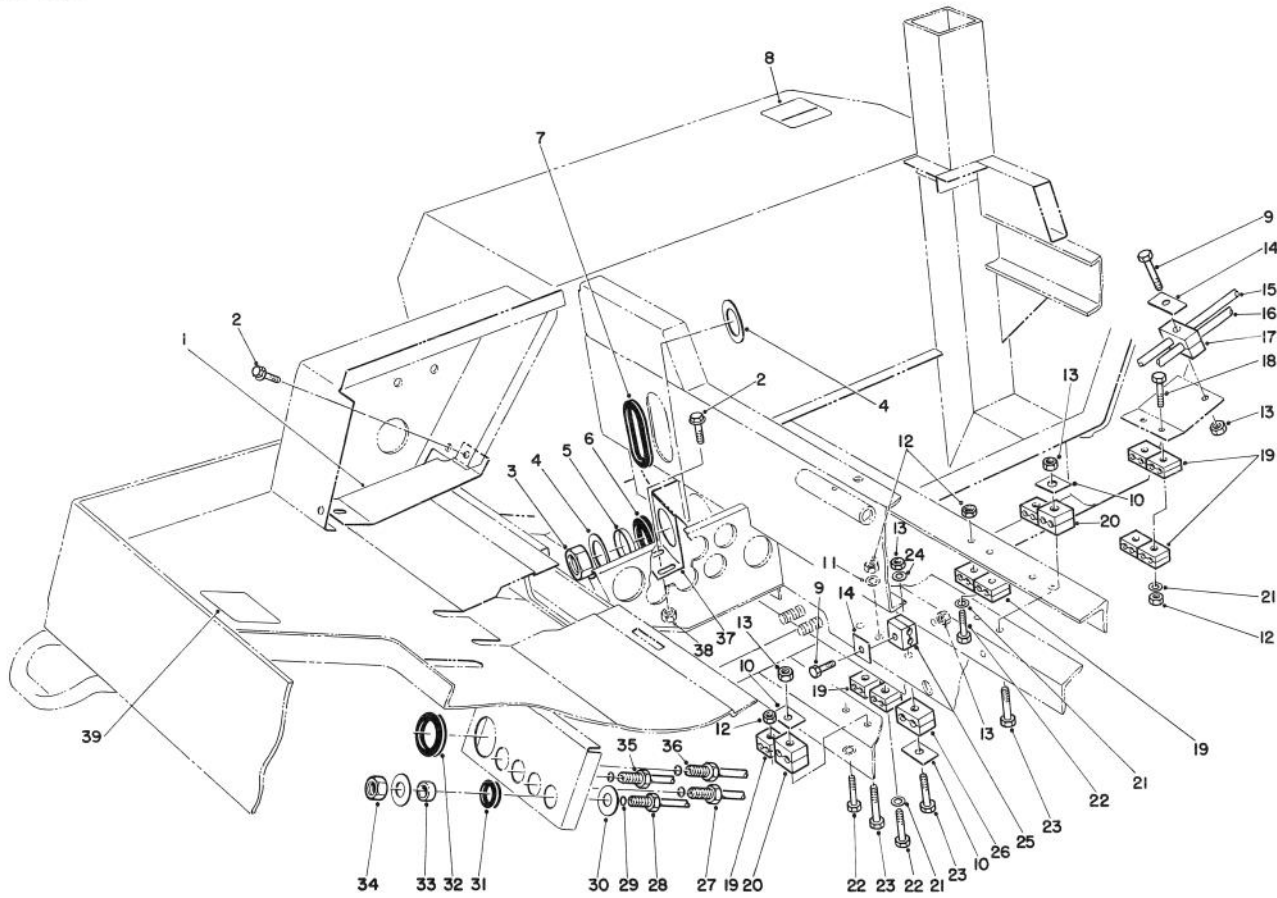


T-0363A

HYDRAULIC SYSTEM DIAGNOSTIC PANEL ASSEMBLY

Ref. No.	Part No.	Description	No. Used
1	3269-25	Rivet - Pop	4
2	353-947	Cap - Fitting	8
3	353-997	Fitting - Hydraulic Bulkhead (Incl. Ref. #12)	8
4	69-0960	Panel - Diagnostic	1
5	69-5660	Hose - Hydraulic Diagnostic	1
6	69-5910	Tube - Hydraulic Diagnostic	1

Ref. No.	Part No.	Description	No. Used
7	69-5664	Hose - Hydraulic Diagnostic	1
8	69-5920	Tube - Diagnostic	1
9	69-5662	Hose - Hydraulic Diagnostic	2
10	69-5665	Hose - Hydraulic Diagnostic	1
11	69-5661	Hose - Hydraulic Diagnostic	1
12	3220-4	Nut - Bulkhead	8



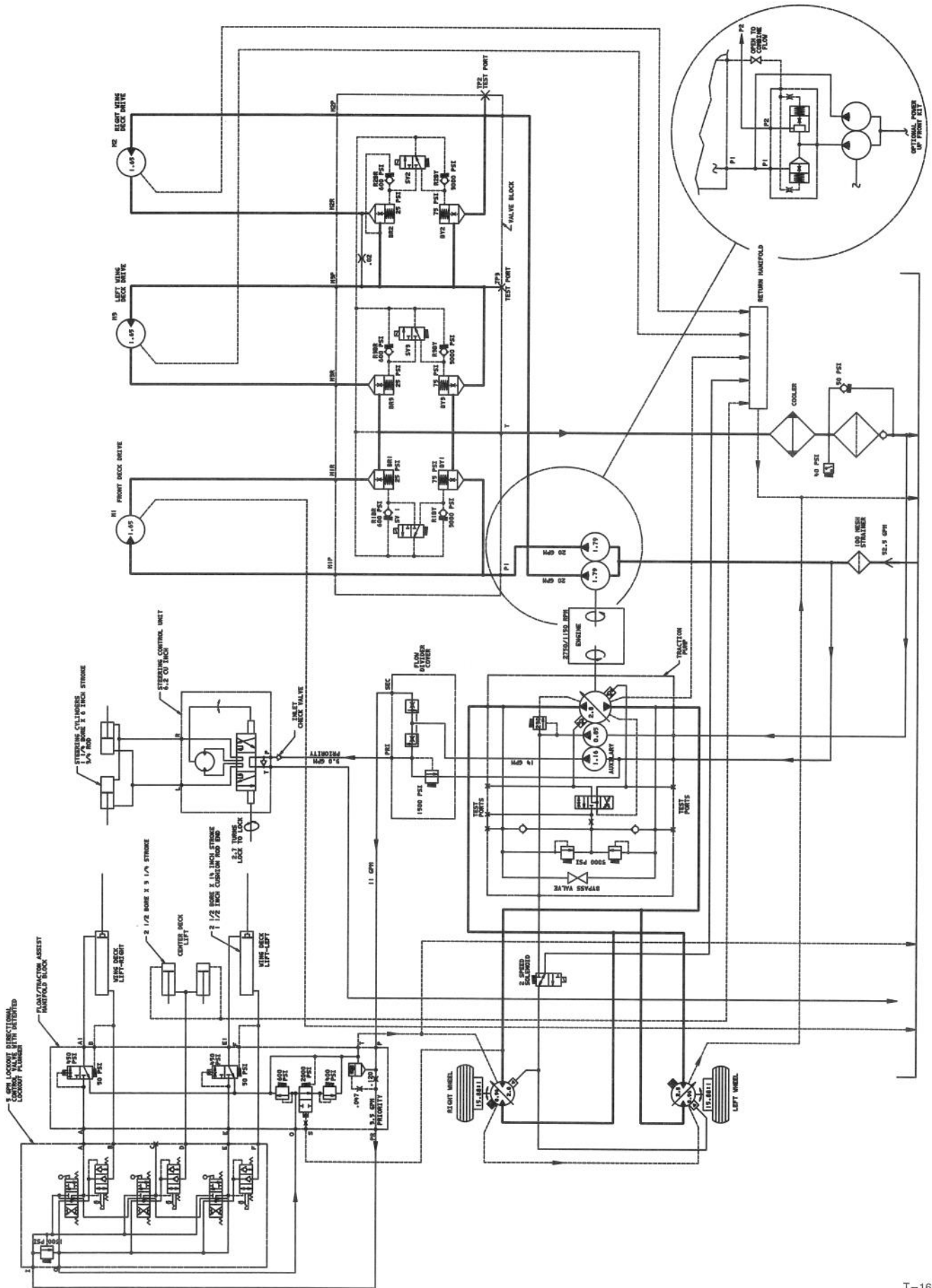
T-0358

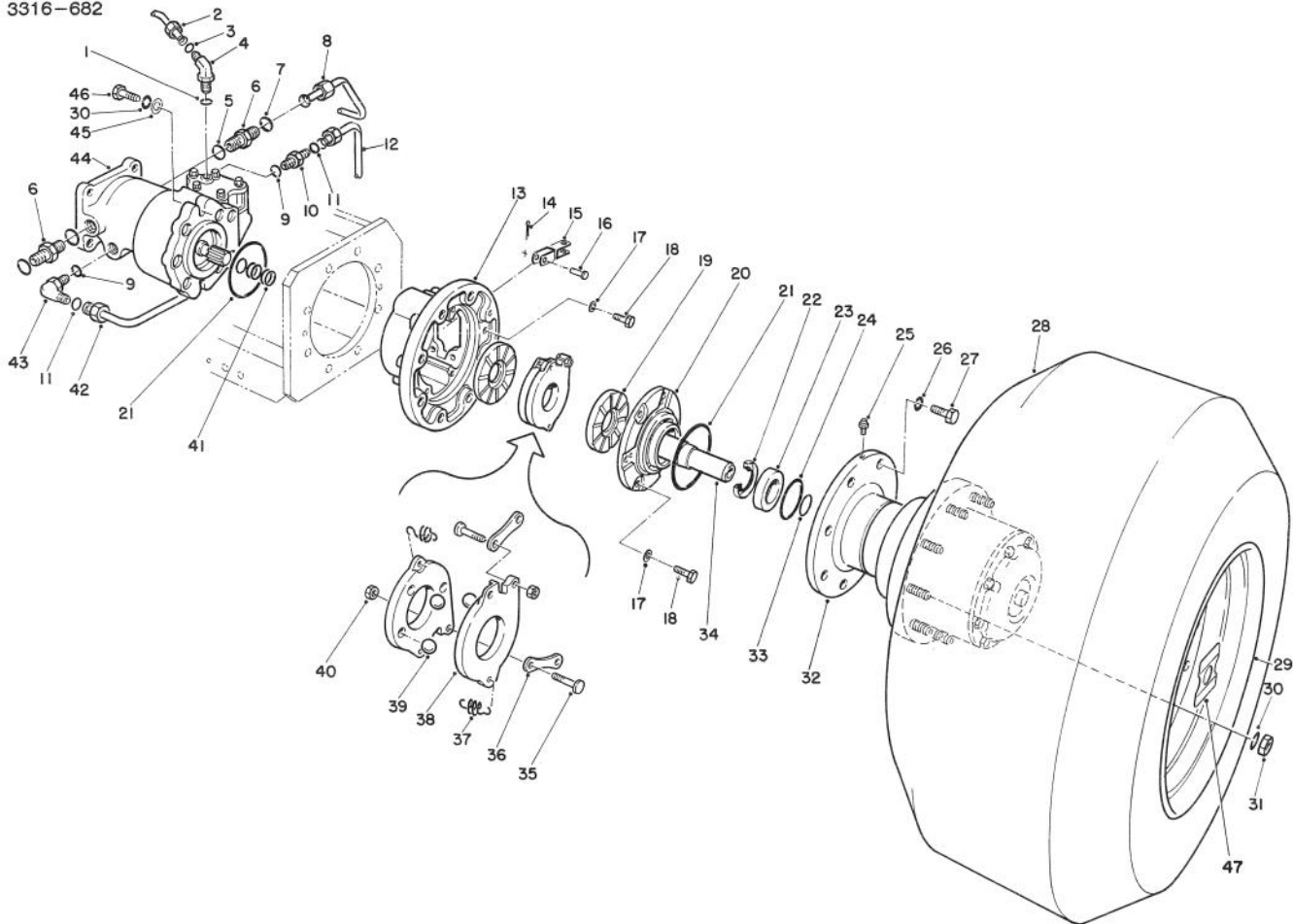
HYDRAULIC LINE CLAMPS ASSEMBLY

Ref. No.	Part No.	Description	No. Used
1	69-9330	Cover	1
2	3234-14	Screw - Hex. Flange Hd.	6
3	340-128	Nut - Bulkhead	2
4	69-8920	Washer	4
5	69-8950	Spacer	2
6	240-2	Grommet	2
7	237-164	Grommet	1
8	69-0920	Decal - Hydraulic Oil	1
9	322-12	Screw - Cap Hex. Hd.	4
10	69-9760	Plate - Cover	3
11	3256-22	Washer - Flat	2
12	32152-4	Nut - Lock	6
13	32152-1	Nut - Lock	8
14	69-9761	Plate - Cover	5
15	69-6130	Tube - Hydraulic	1
16	69-6120	Tube - Hydraulic	1
17	56-7974	Clamp Half - Hydraulic Line	2
18	321-15	Screw - Cap Hex. Hd.	2
19	56-7973	Clamp Half - Hydraulic Line	20
20	56-7972	Clamp Half - Hydraulic Line	4
21	3256-56	Washer - Flat	8
22	321-9	Screw - Cap Hex. Hd.	6

Ref. No.	Part No.	Description	No. Used
23	322-21	Screw - Cap Hex. Hd.	3
24	3256-23	Washer - Flat	1
25	56-7978	Clamp Half - Hydraulic Line	8
26	56-7971	Clamp Half - Hydraulic Line	2
27	69-6090	Tube - Hydraulic (Incl. Ref. #29)	1
28	69-5800	Tube - Hydraulic (Incl. Ref. #29)	1
29	237-21	Seal - O-Ring	4
30	69-8980	Washer	8
31	240-6	Grommet	4
32	240-7	Grommet	1
33	69-8990	Spacer	4
34	340-78	Nut - Bulkhead	4
35	69-6080	Tube - Hydraulic (Incl. Ref. #29)	1
36	69-6070	Tube - Hydraulic (Incl. Ref. #29)	1
37	71-2560	Support - Bulkhead	2
38	32128-20	Nut - Lock	4
39	69-0940	Decal - Caution	1

HYDRAULIC SCHEMATIC



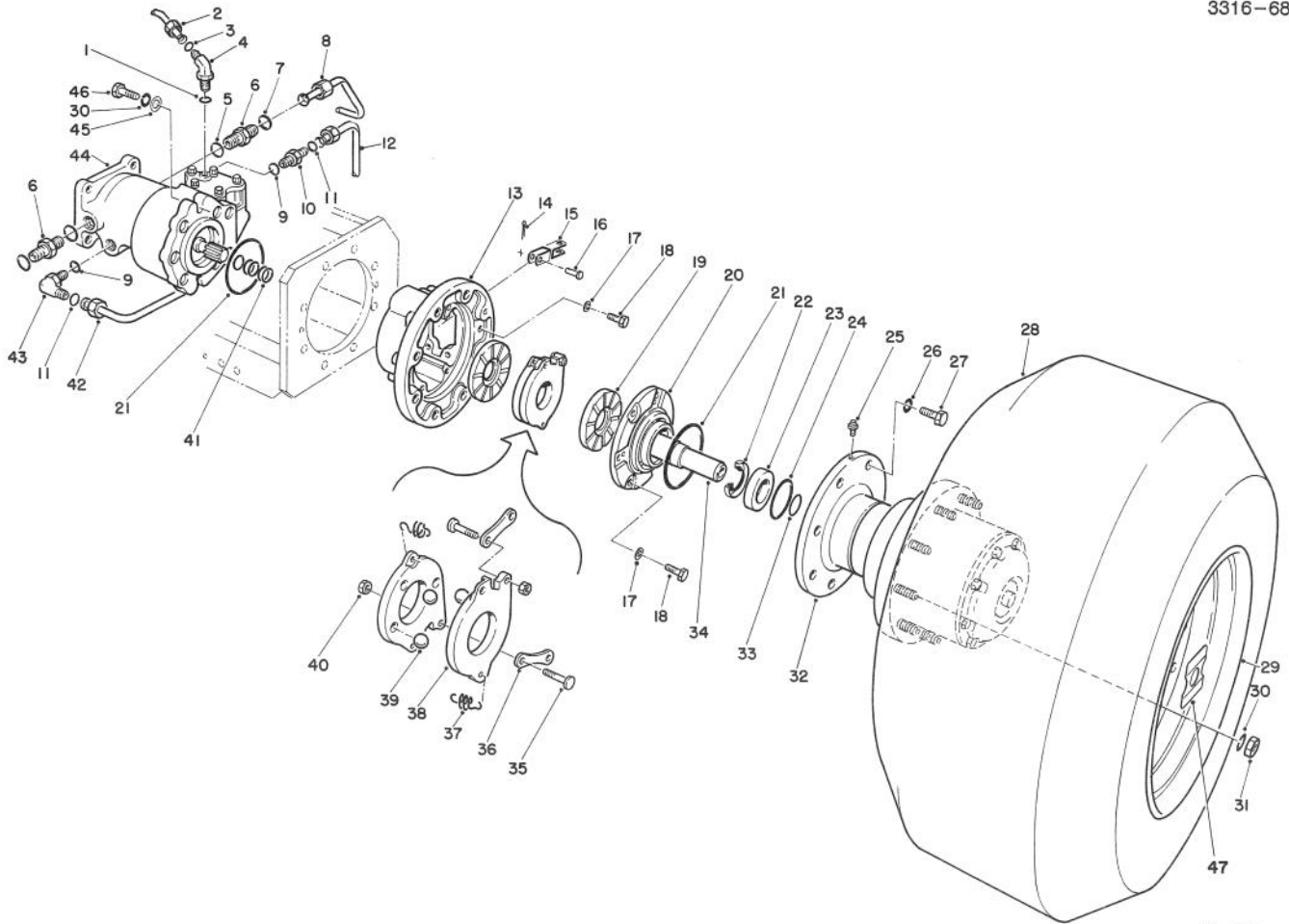


T-0342A

FRONT WHEEL ASSEMBLY

Ref. No.	Part No.	Description	No. Used	Ref. No.	Part No.	Description	No. Used
1	237-42	Seal - O-Ring	2	19	71-0470	Disc - Middle	4
2	69-5940	Tube - Hydraulic L.H.	1	20	71-3990	Cap - Brake Housing	2
*	69-5930	Tube - Hydraulic R.H.	1	21	237-158	Seal - O-Ring	4
3	237-21	Seal - O-Ring	2	22	253-156	Seal - Oil	2
4	340-82	Fitting - Hydraulic Elbow (Incl. Ref. #1 & 3)	2	23	251-340	Bearing - Ball	2
5	237-146	Seal - O-Ring	4	24	32120-22	Ring - Retaining Internal	2
6	340-91	Fitting - Hydraulic Straight (Incl. Ref. #5 & 7)	4	25	302-39	Vent	2
7	237-58	Seal - O-Ring	6	26	3253-8	Washer - Lock	16
8	69-5760	Hose - Hydraulic L.H.	2	27	327-22	Screw - Cap Hex. Hd.	16
*	69-5770	Hose - Hydraulic R.H.	2	28	69-9800	Tire	2
9	237-81	Seal - O-Ring	4	*	58-5620	Tube - Inner	2
10	340-9	Fitting - Hydraulic St. L.H. (Incl. Ref. #9 & 11)	1	*	231-140	Tire - (Optional)	2
*	340-148	Fitting - Hydraulic Tee R.H. (Incl. Ref. #7 & 9)	1	29	71-2470	Rim	2
11	237-58	Seal - O-Ring	3	30	3253-7	Washer - Lock	22
12	92-1742	Tube - Hydraulic L.H.	1	31	3219-5	Nut - Hex.	18
*	92-4807	Tube - Hyd. R.H. Run	1	32	69-1730	Planetary Gear Drive Assy.	2
*	85-6150	Tube - Hyd. R.H. Branch	1	33	32120-84	Ring - Retaining External	2
13	71-4010	Housing - Brake	2	34	71-3810	Coupling - Hydraulic Motor	2
14	3272-6	Pin - Cotter	2	35	69-9970	Stud	4
15	71-3880	Clevis - Brake Cable	2	36	69-9960	Link	4
16	283-2	Pin - Clevis	2	37	69-9950	Spring - Extension	4
17	3253-21	Washer - Lock	14	38	69-9990	Disc - Actuating	4
18	323-6	Screw - Cap Hex. Hd.	14	39	69-9980	Ball	6
				40	69-9940	Nut - Jam	4
				41	253-157	Ring - Cup	8
				42	92-1741	Tube - Hydraulic	1

*Not Illustrated

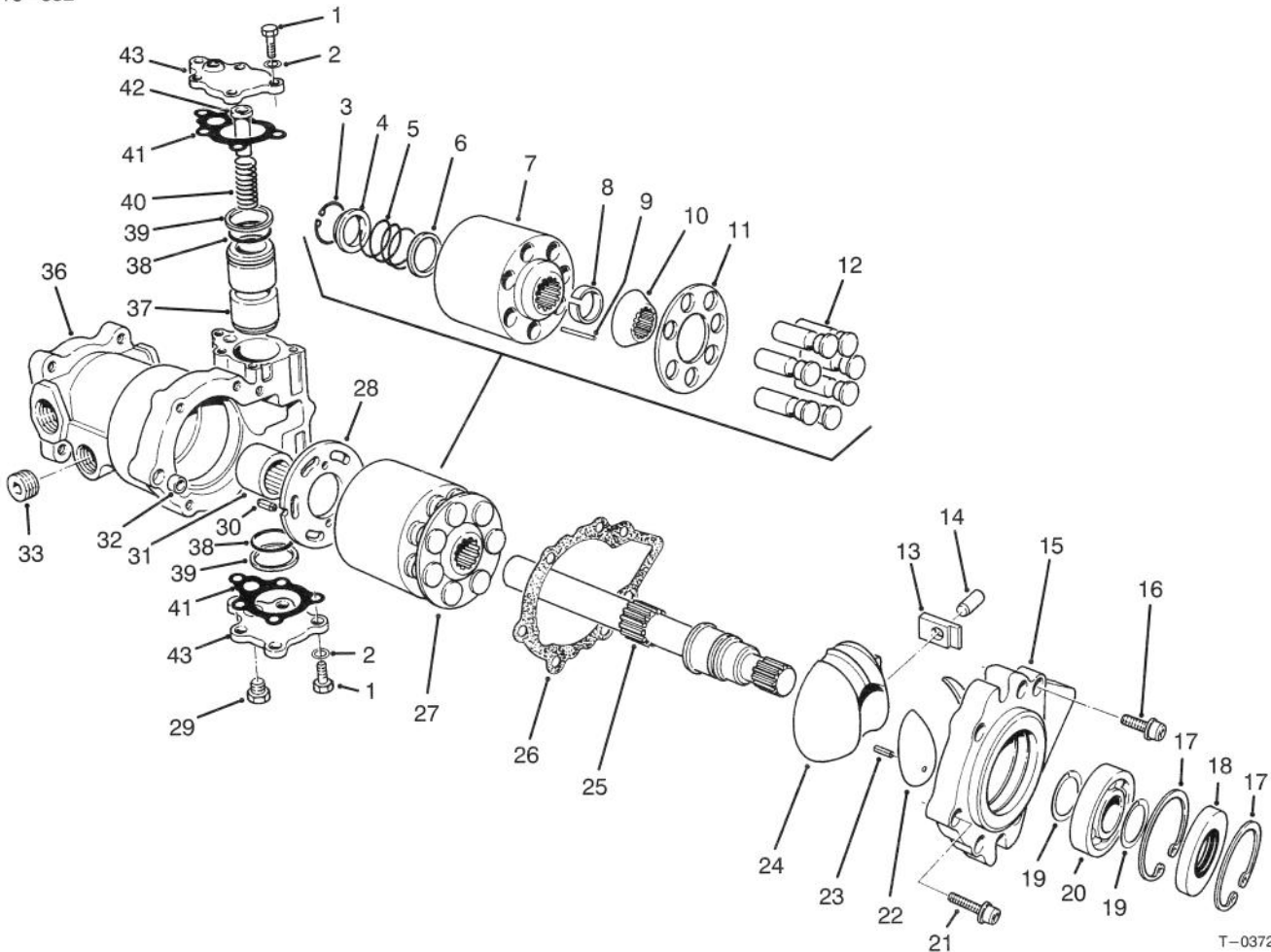


T-0342

FRONT WHEEL ASSEMBLY (Continued)

Ref. No.	Part No.	Description	No. Used
43	340-142	Fitting - Hydraulic Elbow (Incl. Ref. #9 & 11)	2
44	69-3050	Motor - Hydraulic Wheel	2

Ref. No.	Part No.	Description	No. Used
45	3256-26	Washer - Flat	4
46	325-7	Screw - Cap Hex. Hd.	4
47	72-4070	Decal - Danger	2



T-0372

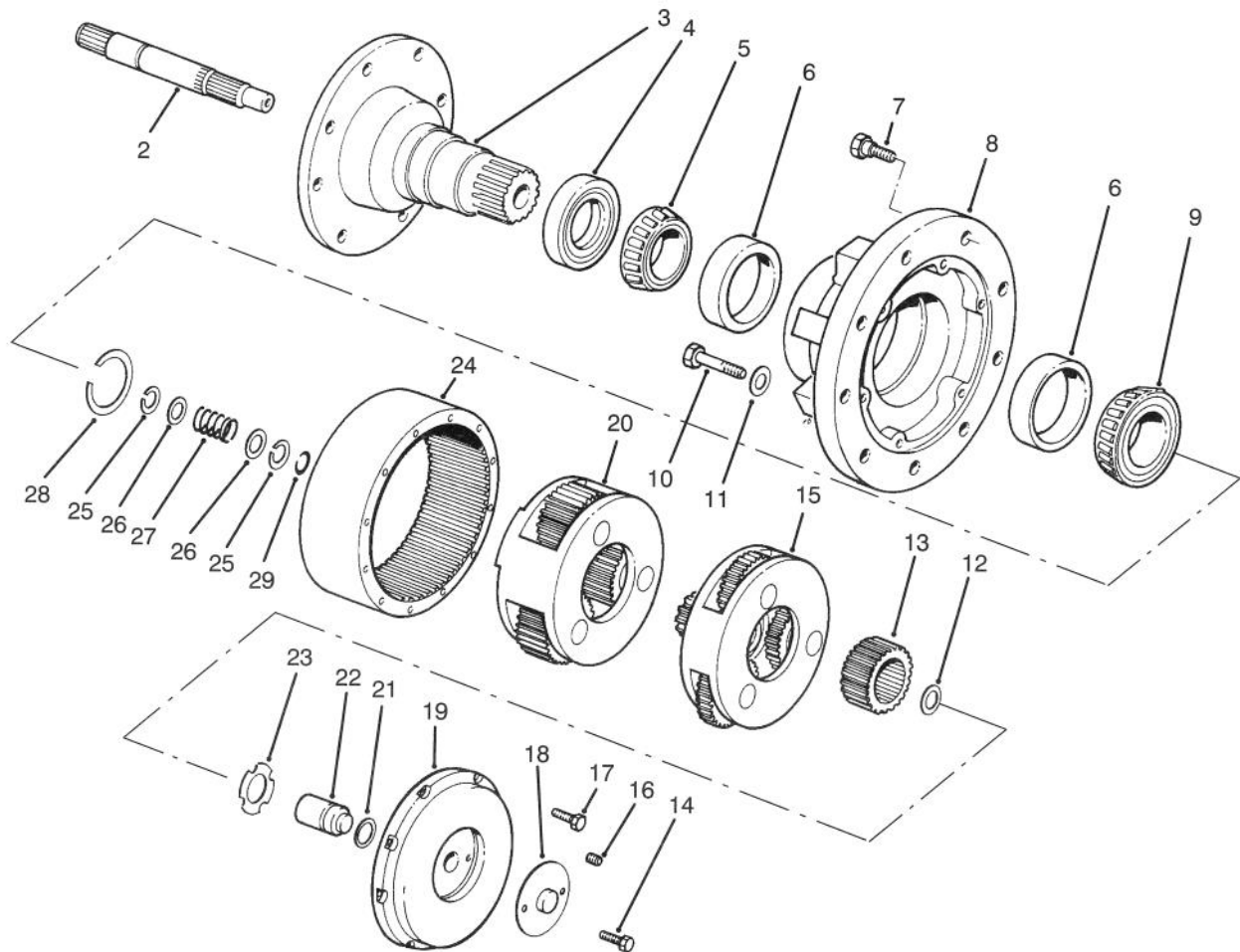
WHEEL MOTOR NO. 69-3050

Ref. No.	Part No.	Description	No. Used
1	69-3150	Screw Hex. Hd.	10
2	69-3070	Washer - Plain	10
†3		Ring - Retaining	1
†4		Washer	1
†5		Spring - Compression	1
†6		Washer	1
†7		Block - Cylinder	1
†8		Retainer	1
†9		Pin - Slipper Hold Down	3
†10		Guide - Retainer	1
†11		Guide - Slipper	1
†12		Piston Assembly	7
13	69-3500	Bearing - Sleeve	1
14	69-3510	Pin	1
15	76-4610	Cover - Front	1
16	76-4590	Screw	6
17	69-3200	Ring - Retaining	2
18	69-3190	Seal - Lip	1
19	69-3170	Ring - Retaining	2
20	69-3210	Bearing - Ball	1
21	69-3960	Screw	1
22	69-3970	Bearing - Journal	2

Ref. No.	Part No.	Description	No. Used
23	69-3520	Pin - Spring	2
24	69-3980	Swashplate - Variable	1
25	69-3950	Shaft - Motor	1
26	76-4600	Gasket - Front Cover	1
27	69-3910	Cylinder Block Kit (Incl. Ref. #3-12)	1
28	69-3990	Plate - Motor Valve	1
29	69-3940	Plug	1
30	69-3450	Pin	1
31	69-3370	Bearing - Needle	1
32	69-3230	Pin - Spring	1
33	69-3130	Plug - Hole	1
†36		Housing	1
37	69-4020	Piston - Servo	1
38	69-3560	Seal - O-Ring	2
39	69-3570	Ring - Piston	2
40	69-4030	Spring - Servo	1
41	69-3710	Gasket - Servo Cover	2
42	69-4040	Stop - Servo Piston	1
43	69-3720	Cover - Servo	2
*	69-3920	Piston Ring & O-Ring Kit (Incl. Ref. #38 & 39)	1

*Not Illustrated

†Not serviceable separately.



T-0140

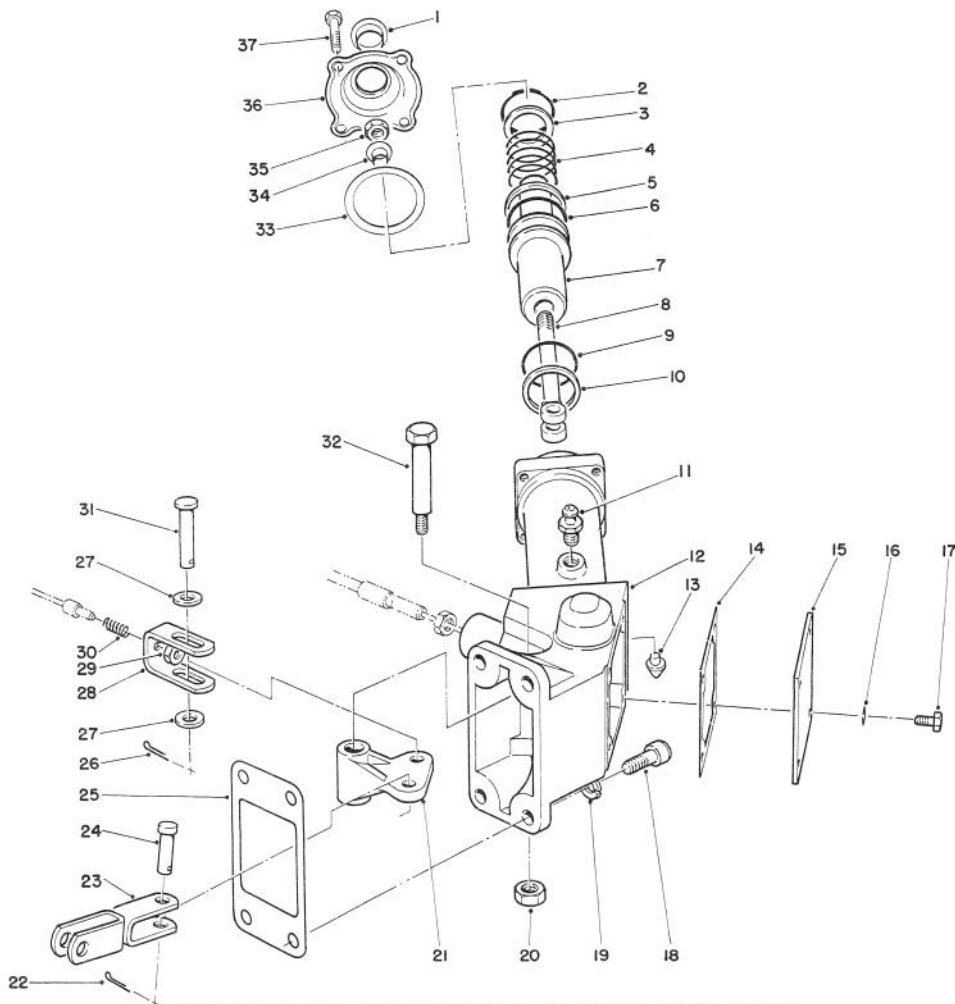
PLANETARY GEAR ASSEMBLY NO. 69-1730

Ref. No.	Part No.	Description	No. Used
2	60-3810	Shaft - Input	1
3	69-1740	Spindle	1
4	60-3830	Seal - Oil	1
5	60-3840	Cone - Bearing	1
6	60-3850	Cup - Bearing	2
7	60-3860	Bolt - Wheel	9
8	60-3870	Hub	1
9	60-3880	Cone - Bearing	1
10	60-3890	Bolt - Hex. Hd.	6
11	60-3910	Washer - Flat	6
12	60-3980	Washer - Thrust	1
13	60-3970	Gear - Primary Sun	1
14	60-4070	Bolt - Hex. Hd.	2
15	60-3960	Primary Carrier Assembly	1

Ref. No.	Part No.	Description	No. Used
16	60-4040	Plug - Pipe	1
17	60-4030	Bolt - Hex. Hd.	8
18	60-4060	Cover - Disengage	1
19	60-4050	Cover - Large	1
20	60-4000	Secondary Carrier Assy.	1
21	60-4020	Seal - O-Ring	1
22	60-4010	Plunger - Disengage	1
23	60-3990	Washer - Thrust	1
24	60-3900	Gear - Ring	1
25	60-3930	Ring - Retaining	2
26	60-3940	Washer	2
27	60-3950	Spring - Disengage	1
†28	62-6450	Kit - Retaining Ring	1
*	62-6460	Sealant - RTV (Tube)	1

*Not Illustrated

†Includes 7 different thickness retaining rings for service adjustment of bearings.

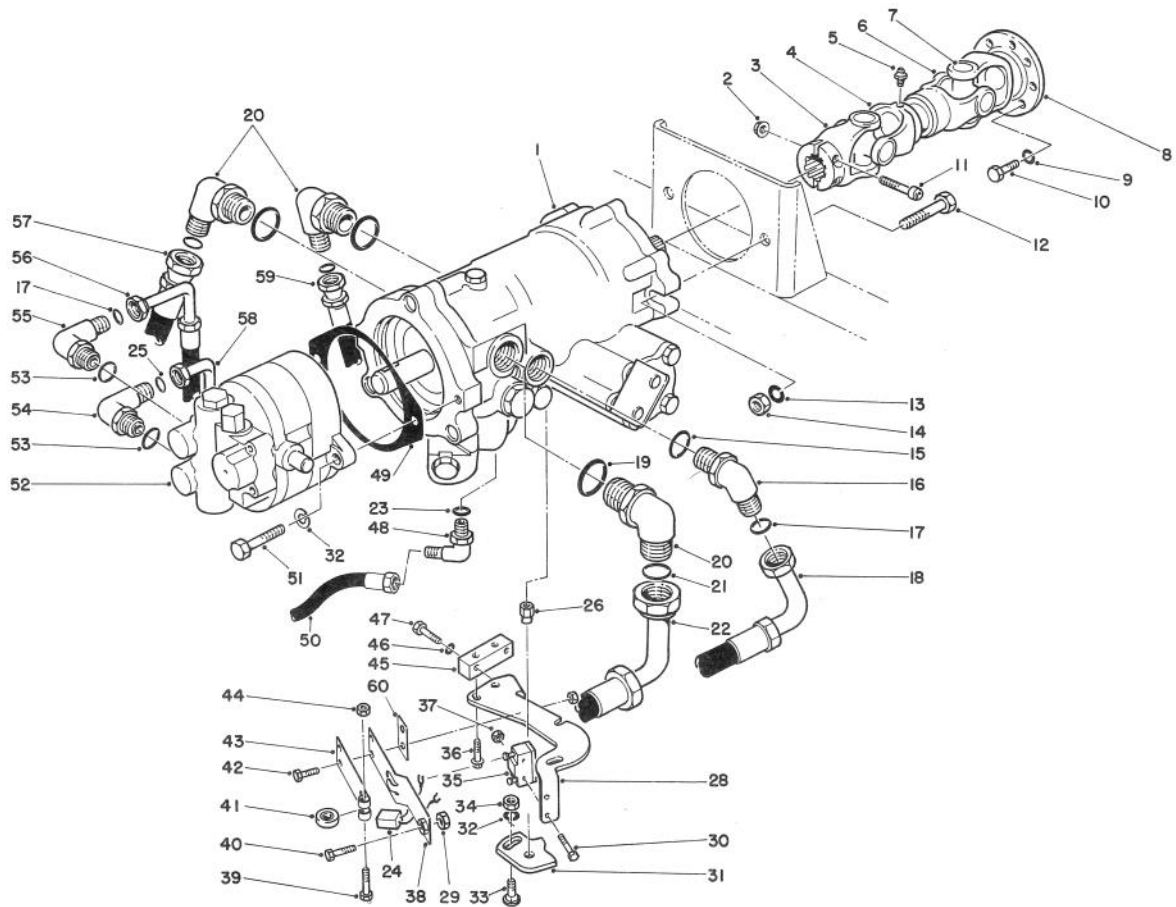


T-1277

WHEEL BRAKE ASSEMBLY

Ref. No.	Part No.	Description	No. Used	Ref. No.	Part No.	Description	No. Used
1	2410-71	Plug	2	19	3253-21	Washer - Lock	8
2	32151-100	Ring - Retaining	2	20	32128-25	Nut - Lock	2
3	69-8910	Washer	2	21	71-3830	Bellcrank - Brake	2
4	82-7850	Spring - Compression	2	22	3272-6	Pin - Cotter	2
5	354-104	Ring - Backup	2	23	71-3880	Clevis - Brake Cable	2
6	237-175	O-Ring	2	24	283-2	Pin - Clevis	2
7	82-7840	Piston - Brake	2	25	71-3900	Gasket	2
8	21-2070	Yoke - End	2	26	3272-10	Pin - Cotter	2
9	237-174	O-Ring	2	27	3256-24	Washer - Flat	4
10	354-105	Ring - Backup	2	28	71-3860	Clevis	2
11	82-7830	Screw - Bleed, Brake	2	29	3296-3	Nut - Lock	2
12	92-8003	Housing - Actuator, R.H.	1	30	69-0030	Spring - Compression	2
*	92-8004	Housing - Actuator, L.H.	1	31	283-15	Pin - Clevis	2
13	82-7820	Seat - Brake, Tube	2	32	12-8900	Bolt - Shoulder	2
14	71-3870	Gasket	2	33	71-3920	Gasket	2
15	71-3850	Cover - Housing	2	34	71-3910	Collar	2
16	3253-3	Washer - Lock	8	35	3296-59	Nut - Lock	2
17	321-2	Screw - Cap Hex. Hd.	8	36	71-4110	Cap - Actuator	2
18	3274-7	Screw - Cap Socket Hd.	8	37	321-6	Screw - Cap Hex. Hd.	8

*Not Illustrated

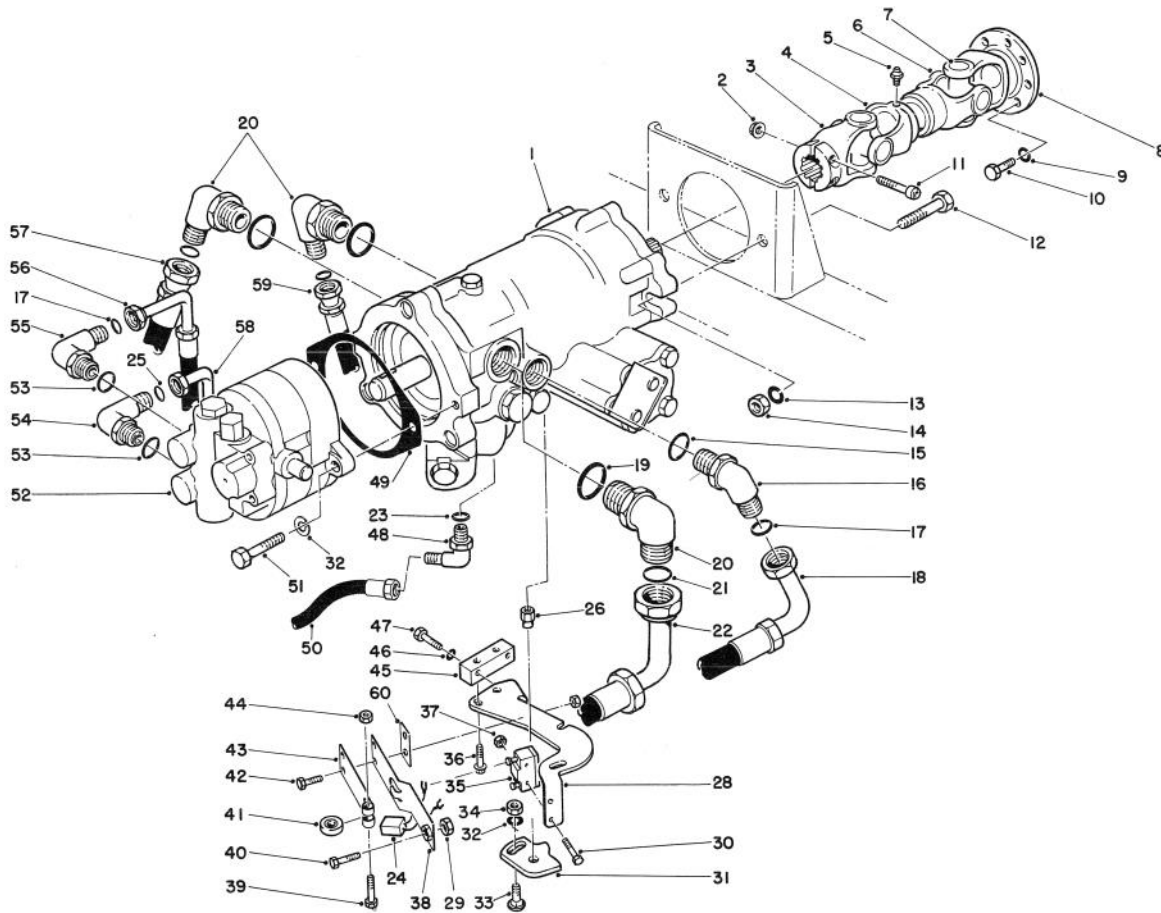


T-0350

VARIABLE DISPLACEMENT PUMP INSTALLATION

Ref. No.	Part No.	Description	No. Used
1	69-3040	Variable Displacement Pump	1
2	32128-21	Nut - Flange Lock	2
3	71-0520	Yoke - Pump End	1
4	71-0530	Tube - Slip Yoke	1
5	302-2	Fitting - Grease	1
6	71-0510	Shaft - Slip Yoke	1
7	2115-95	Kit - Universal Joint	2
8	71-0500	Yoke - Engine End	2
9	48-9570	Washer - Lock	8
10	48-7710	Screw - Cap Hex. Hd.	8
11	3274-50	Screw - Hex. Socket Hd.	2
12	325-7	Screw - Cap Hex. Hd.	2
13	3253-7	Washer - Lock	2
14	3217-9	Nut - Hex.	2
15	237-81	Seal - O-Ring	1
16	340-131	Fitting - Hydraulic Elbow (Incl. Ref. #15 & 17)	1
17	237-30	Seal - O-Ring	2
18	69-5460	Hose - Hydraulic	1
19	237-146	Seal - O-Ring	3
20	340-15	Fitting - Hydraulic Elbow (Incl. Ref. #19 & 21)	3
21	237-58	Seal - O-Ring	3
22	69-5650	Hose - Hydraulic	1
23	237-42	Seal - O-Ring	1
24	72-3790	Wire - Neutral Switch	1
26	69-9020	Nut - Special	1

Ref. No.	Part No.	Description	No. Used
27	32152-4	Nut - Lock	2
28	69-9480	Bracket - Neutral Device	1
29	3219-2	Nut - Hex.	1
30	3249-11	Screw - Cap Hex. Hd.	2
31	69-9040	Cam - Neutral Device	1
32	3253-21	Washer - Lock	3
33	3231-30	Bolt - Carriage	1
34	3217-7	Nut - Hex.	1
35	29-6163	Switch - Neutral	1
36	3234-13	Screw - Hex. Flange Hd.	4
37	3296-9	Nut - Lock	2
38	29-6170	Leaf Spring Assembly	1
39	322-17	Screw - Cap Hex. Hd.	1
40	3210-7	Screw - Cap Hex. Hd.	1
41	251-259	Bearing - Neutral Detent	1
42	321-4	Screw - Cap Hex. Hd.	2
43	29-6150	Spring - Leaf	1
44	32153-3	Nut - Lock	1
45	69-9050	Bar - Neutral Device	1
46	3253-3	Washer - Lock	2
47	321-10	Screw - Cap Hex. Hd.	2
48	340-134	Fitting - Hydraulic Elbow (Incl. Ref. #23)	1
49	41-8760	Gasket - Pump	1
50	69-5663	Hose - Hydraulic	1
51	323-7	Screw - Cap Hex. Hd	2
52	69-2220	Pump/Valve	1



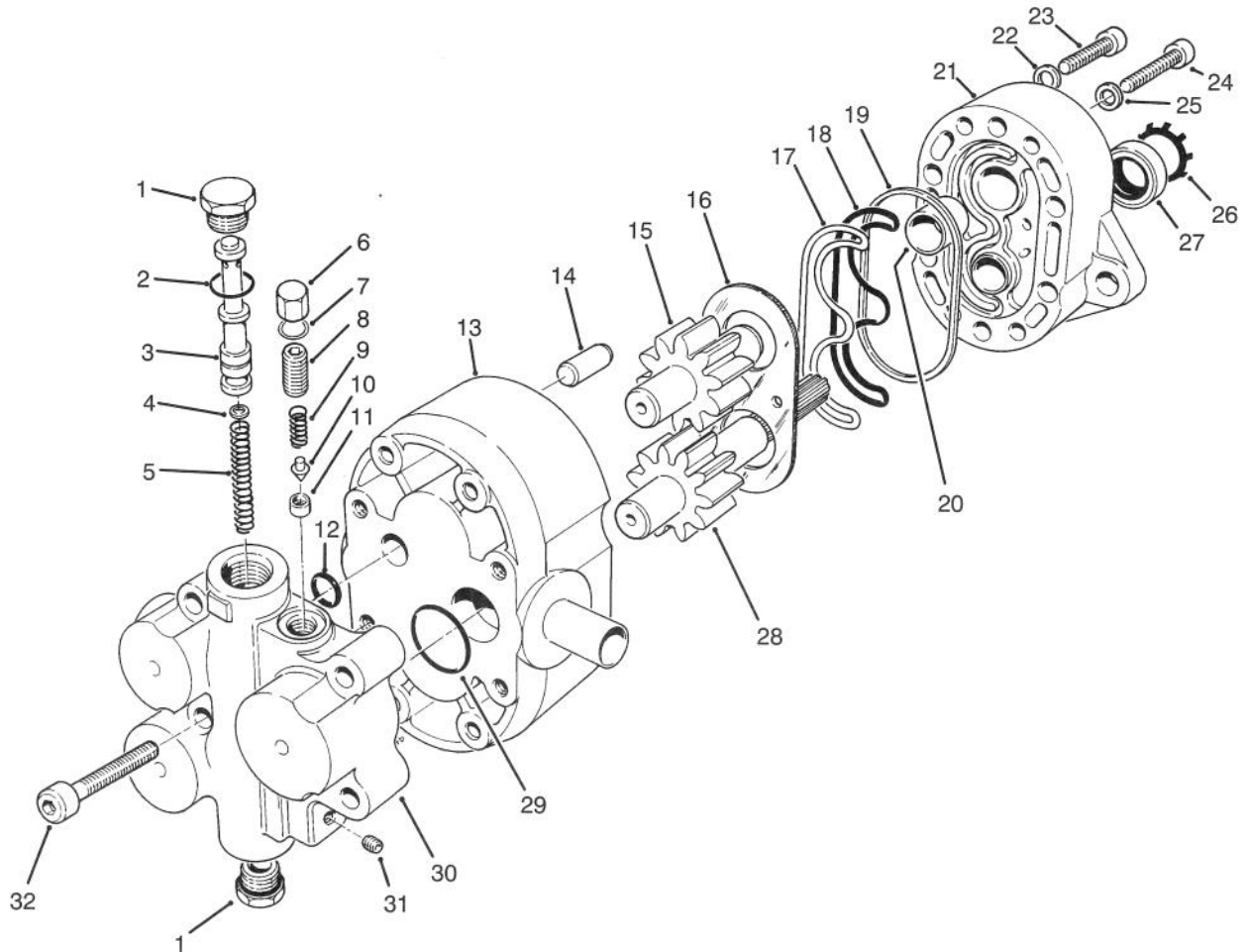
T-0350

VARIABLE DISPLACEMENT PUMP INSTALLATION (Cont.)

Ref. No.	Part No.	Description	No. Used
53	327-80	Seal - O-Ring	2
54	340-130	Fitting - Hydraulic Elbow (Incl. Ref. #25 & 53)	1
55	340-105	Fitting - Hydraulic Elbow (Incl. Ref. #17 & 53)	1
56	69-5450	Hose - Hydraulic	1

Ref. No.	Part No.	Description	No. Used
57	69-5470	Hose - Hydraulic	1
58	69-5440	Hose - Hydraulic	1
59	69-5480	Hose - Hydraulic	1
60	51-3150	Shim - Spring	A/R
*	71-0490	Pump Drive Shaft Assembly (Incl. Ref. #3-8)	1

*Not Illustrated



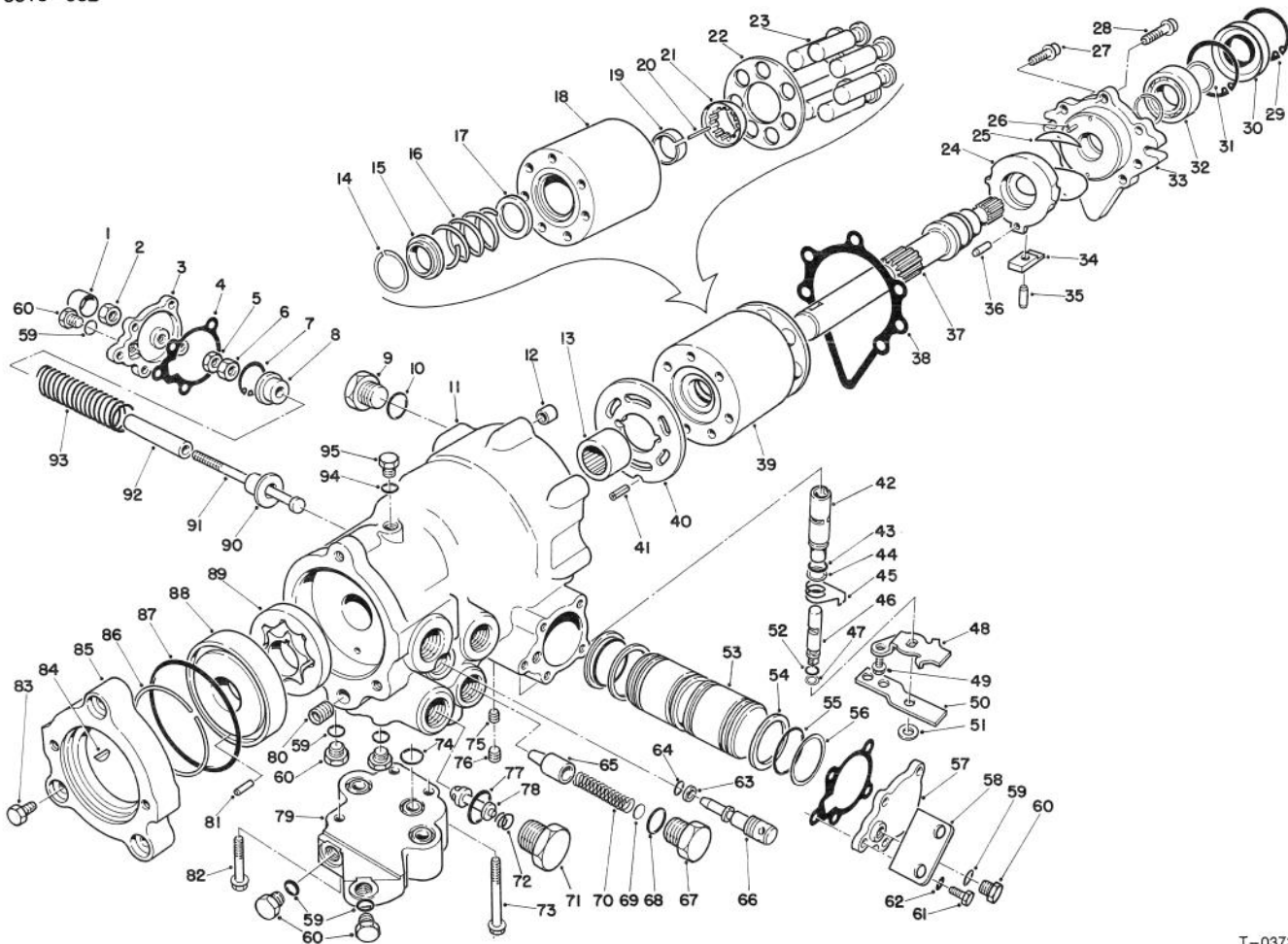
T-0374

GEAR PUMP & FLOW DIVIDER NO. 69-2220

Ref. No.	Part No.	Description	No. Used
1	69-2410	Plug (Incl. Ref. #2)	2
2	69-2420	Seal - O-Ring	2
3	69-2450	Piston	1
4	69-2440	Orifice	1
5	69-2430	Spring - Compression	1
6	69-2460	Cap	1
7	69-2470	Gasket - Cap	1
8	69-2480	Screw - Set	1
9	69-2490	Spring - Compression	1
10	69-2500	Poppet	1
11	69-2510	Seat	1
12	69-2530	Seal - O-Ring	1
13	69-2540	Cover Assembly (Incl. Ref. #20)	1
14	69-2340	Pin - Dowel	2
15	69-2280	Shaft/Gear - Idler	1
16	69-2320	Plate - Wear	1
17	69-2260	Seal - Load	1
18	69-2270	Seal - Pre-Load	1
19	69-2350	Ring - Sealing	1

Ref. No.	Part No.	Description	No. Used
20	69-2250	Bearing - Sleeve	4
21	69-2330	Body Assembly (Incl. Ref. #20)	1
22	69-2370	Washer	4
23	69-2360	Screw	4
24	69-2380	Screw	4
25	69-2390	Washer	4
26	69-2300	Ring - Retaining	1
27	69-2310	Seal - Shaft	1
28	69-2290	Shaft/Gear - Drive	1
29	69-2400	Seal - O-Ring	1
30	69-2230	Flow Divider Assembly (Incl. Ref. #1-11 & 31)	1
31	69-2520	Plug - Pipe	1
32	69-2240	Screw	4
*	69-2550	Repair Kit - Pump (Incl. Ref. #16-19, 22 & 25-27)	1
*	69-2560	Repair Kit - Pump & Divider Incl. Ref. #2, 7, 9-10, 12, 16-19, 22, 25-27 & 29)	1

*Not Illustrated



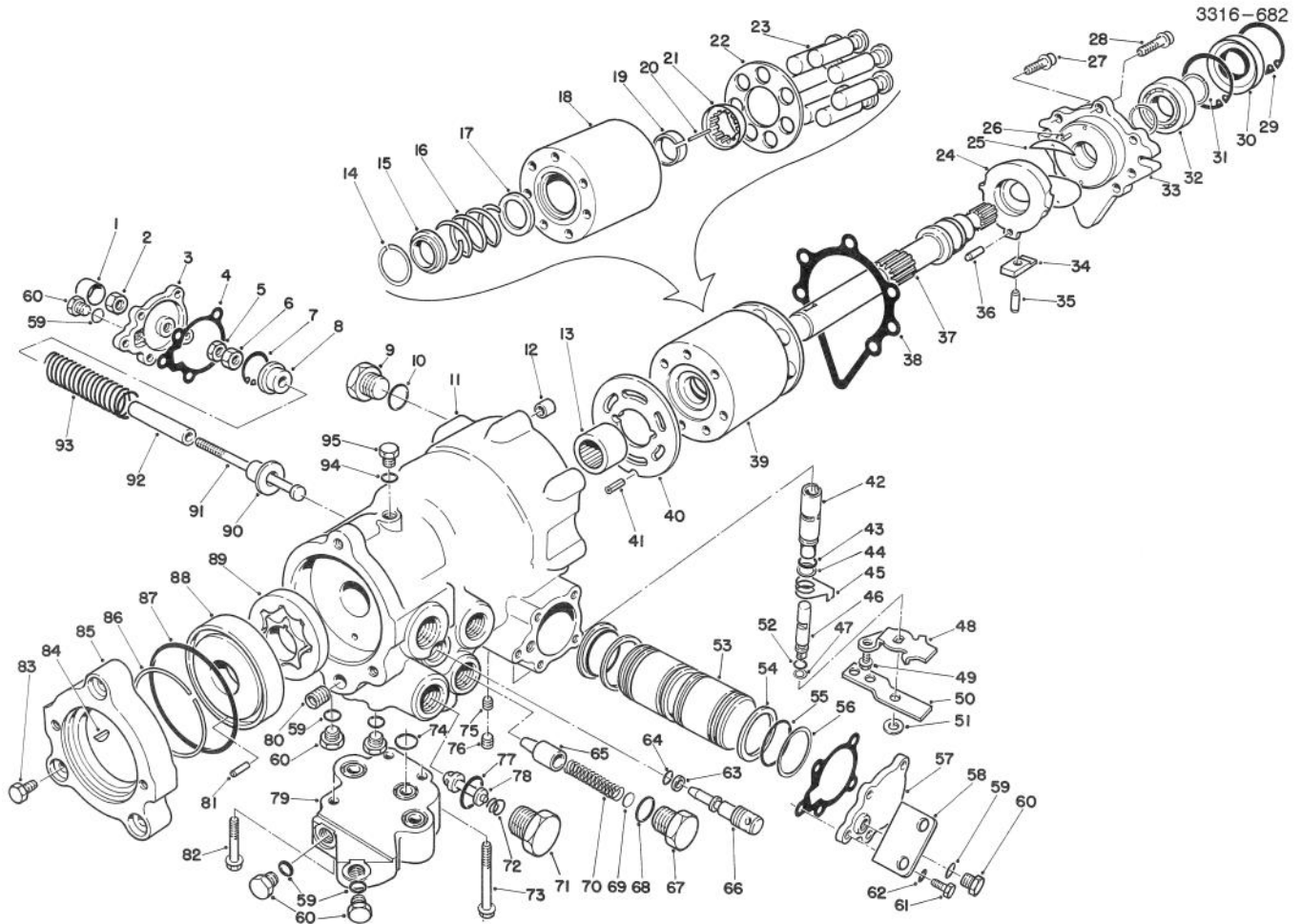
T-0373

VARIABLE DISPLACEMENT PUMP NO. 69-3040

Ref. No.	Part No.	Description	No. Used
1	69-3620	Cover - Servo Adjustment	1
2	69-3630	Nut Special	1
3	69-3640	Cover - Servo	1
4	69-3710	Gasket - Servo	2
5	69-3610	Nut - Jam	1
6	69-3600	Nut - Hex.	1
7	69-3590	Ring - Retaining	1
8	69-3580	Guide - Spring	1
9	69-3130	Plug (Incl. Ref. #10)	1
†10		Seal - O-Ring	1
†11		Housing - Pump	1
12	69-3230	Pin - Spring	1
13	69-3370	Bearing - Needle	1
†14		Ring - Retaining	1
†15		Washer	1
†16		Spring - Compression	1
†17		Washer	1
†18		Block - Cylinder	1
†19		Retainer	1
†20		Pin - Slipper Hold Down	3
†21		Guide - Retainer	1
†22		Guide - Slipper	1
†23		Piston - Assembly	7
24	69-3250	Swashplate - Variable	1
25	69-3240	Bearing - Journal	2
26	69-3520	Pin	2
27	76-4590	Screw	6

Ref. No.	Part No.	Description	No. Used
28	69-3220	Screw	1
29	69-3200	Ring - Retaining	2
30	69-3190	Seal - Lip	1
31	69-3170	Ring - Retaining	2
32	69-3210	Bearing - Ball	1
33	76-4610	Cover	1
34	69-3500	Sleeve - Bearing	1
35	69-3510	Pin	1
36	69-3470	Pin	1
37	69-3180	Shaft Pump	1
38	76-4600	Gasket - Cover	1
39	69-3910	Cylinder Block Assembly (Incl. Ref #14-23)	1
40	69-3360	Plate - Valve L.H.	1
41	69-3450	Pin	1
42	69-3820	Sleeve - Control Valve	1
43	28-3590	Seal O-Ring	1
44	28-3580	Ring - Back Up	1
45	69-3880	Spring - Neutral Return	1
46	69-3830	Spool - Rotary Valve	1
47	25-2630	Ring Back Up	1
48	69-3890	Bracket - Neutral Return	1
49	69-3860	Screw - Flange Hd.	1
50	69-3870	Handle - Control Valve	1
51	69-3900	Washer	1
52	69-3840	Seal - O-Ring	1
53	69-3650	Piston - Servo	1

†Not serviceable separately.



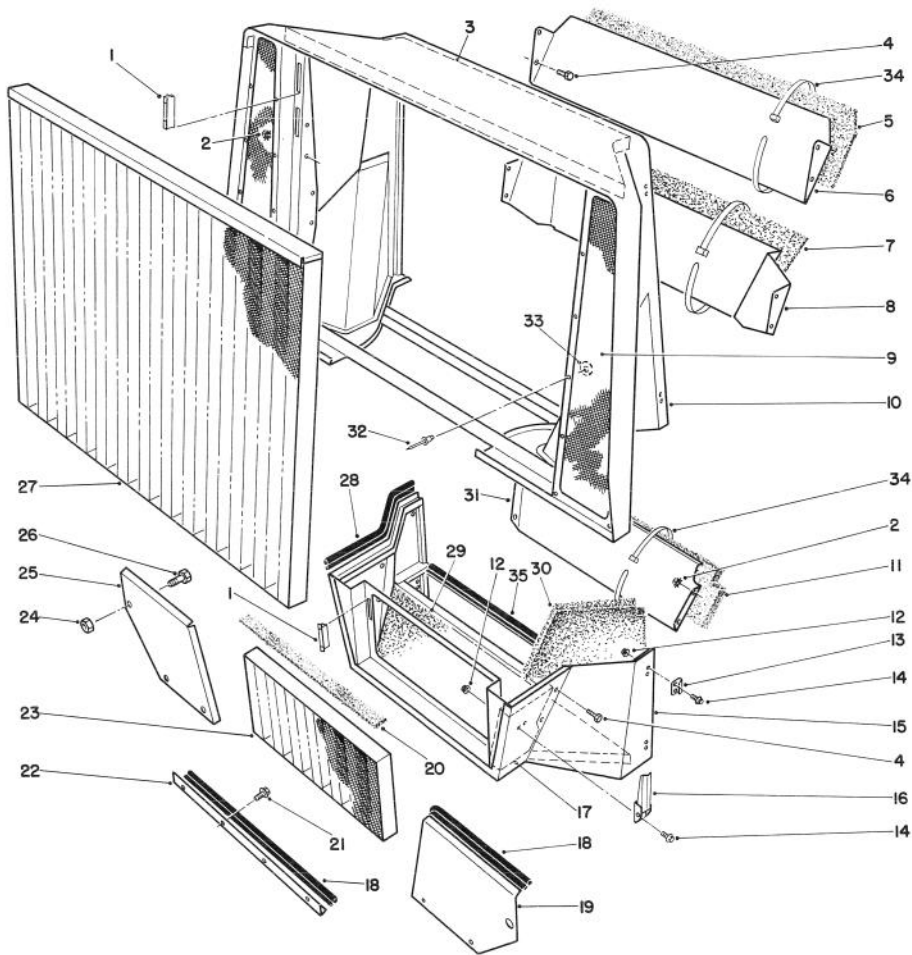
T-0373

VARIABLE DISPLACEMENT PUMP NO. 69-3040 (Cont.)

Ref. No.	Part No.	Description	No. Used
54	69-3690	Bearing	2
55	69-3560	Seal - O-Ring	2
56	69-3570	Ring - Piston	2
57	69-3720	Cover Servo	1
58	69-3140	Bracket - Lifting	1
†59		Seal - O-Ring	6
60	69-3080	Plug (Incl. Ref. #59)	6
61	69-3150	Screw - Hex. Hd.	10
62	69-3070	Washer - Lock	10
63	25-2630	Ring - Back Up	1
64	237-22	Seal - O-Ring	1
65	69-3800	Valve	1
66	69-3810	Valve - By Pass	1
67	69-3780	Plug (Incl. Ref. #68)	1
68	237-80	Seal - O-Ring	1
69	69-3770	Shim	1
70	69-3790	Spring Compression	1
71	69-3760	Plug Special (Incl. Ref. #77)	2
72	69-3740	Spring - Compression	2
73	69-3110	Screw	2
74	69-3160	Seal - O-Ring	3
75	69-3530	Plug - Orifice	1

Ref. No.	Part No.	Description	No. Used
76	285-17	Plug - Pipe	2
77	69-3750	Seal - O-Ring	2
78	69-3730	Valve - Relief (Incl. Ref. #71, 72 & 77)	2
79	69-3090	Adapter - Suction	1
80	69-3460	Plug Expansion	1
81	69-3550	Pin	1
82	69-3100	Screw	1
83	69-3400	Screw Hex. Hd.	3
84	69-3430	Key - Woodruff	1
85	69-3410	Adapter - A Flange	1
86	69-3420	Ring - Temper Load	1
87	69-3440	Seal - O-Ring	1
88	69-3540	Cover - Gerotor	1
89	69-3390	Gerotor Assembly	1
90	69-3700	Guide - Spring	1
91	69-3660	Screw - Special	1
92	69-3680	Stop - Servo	1
93	69-3670	Spring - Compression	1
†94		Seal O-Ring	1
95	69-3120	Plug (Incl. Ref. #94)	1

†Not serviceable separately.

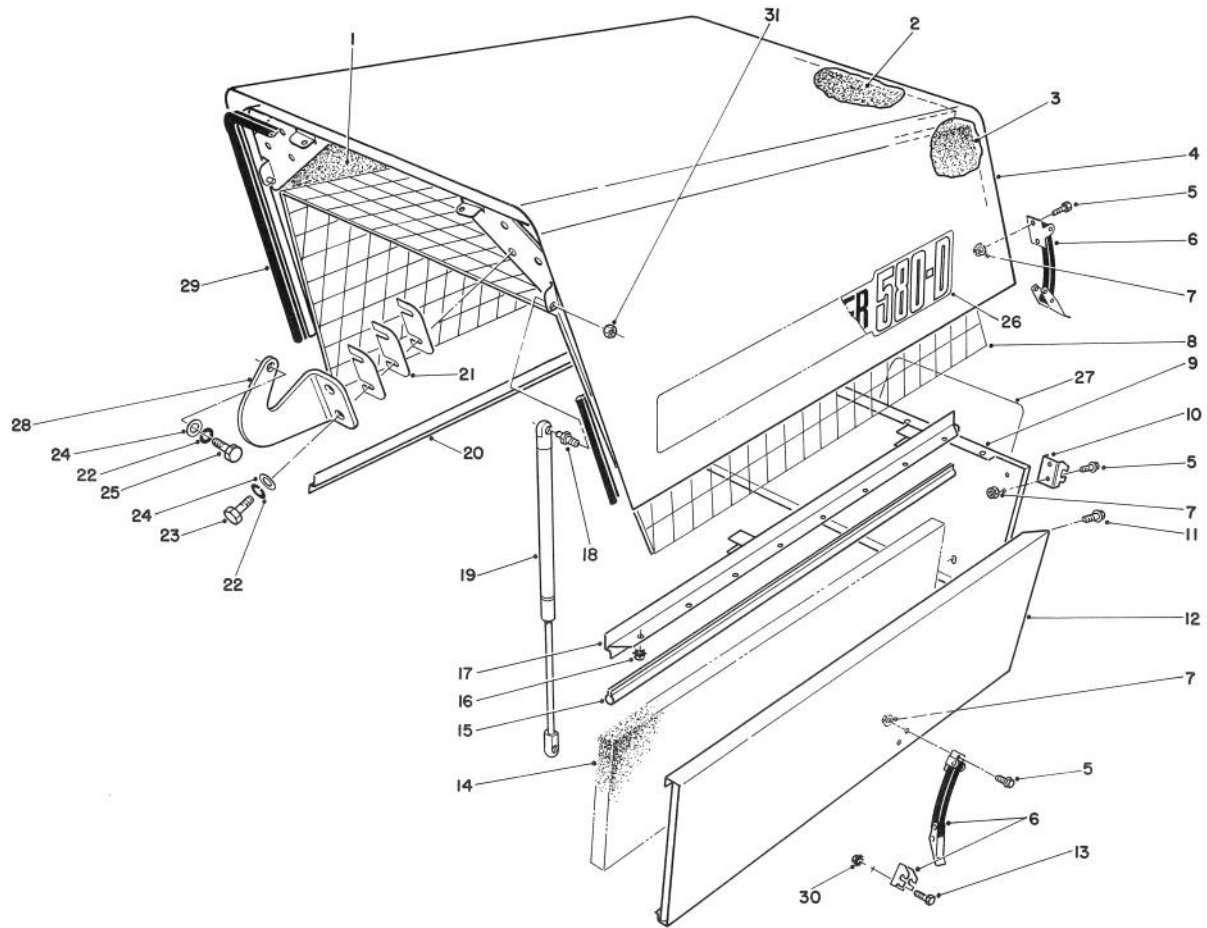


T-0368

COWL ASSEMBLY

Ref. No.	Part No.	Description	No. Used	Ref. No.	Part No.	Description	No. Used
1	58-4250	Magnet	6	18	69-9721	Strip - Sealing	3
2	32149-2	Nut - Keps	16	19	75-9460	Bracket - Sealing L.H.	1
3	71-0280	Foam - Cowl Top	1	20	69-0040	Foam - Lower Grille	1
4	321-2	Screw - Cap Hex. Hd.	16	21	32144-11	Screw - Hex. Flange Hd.	8
5	71-0240	Foam - Louver Top	2	22	75-9480	Bracket - Sealing Bottom	1
6	69-9370	Louver - Top	2	23	69-7150	Grille - Lower	1
7	71-0230	Foam - Louver Middle	1	24	32153-6	Nut Lock	2
8	69-1130	Louver - Middle	1	25	75-9470	Bracket - Sealing R.H.	1
9	69-9650	Screen - Cowl	2	26	328-11	Screw - Cap Hex. Hd.	2
10	69-8650	Cowl - Radiator	1	27	69-7120	Grille - Upper	1
*	82-6330	Cowl - Radiator, Optional	1	28	69-9720	Strip - Sealing	2
11	71-0220	Foam - Louver Lower	1	29	71-0290	Foam - Cowl Bottom	1
12	3296-2	Nut - Flange Lock	20	30	71-0330	Foam - Low Rear Cowl L.H.	1
13	69-3030	Strike - Latch	8	*	71-0320	Foam - Low Rear Cowl R.H.	1
14	3290-321	Screw - Hex. Washer Hd.	20	31	69-1140	Louver - Lower	1
15	69-8690	Support - Grille	1	32	3269-15	Rivet - Pop	22
16	69-3020	Handle - Latch	2	33	3269-6	Washer - Backup	22
17	71-0300	Foam - Low Front Cowl L.H.	1	34	250-5	Tie - Cable	16
*	71-0310	Foam - Low Front Cowl R.H.	1	35	69-9722	Trim - Sealing	1

*Not Illustrated



T-0360A

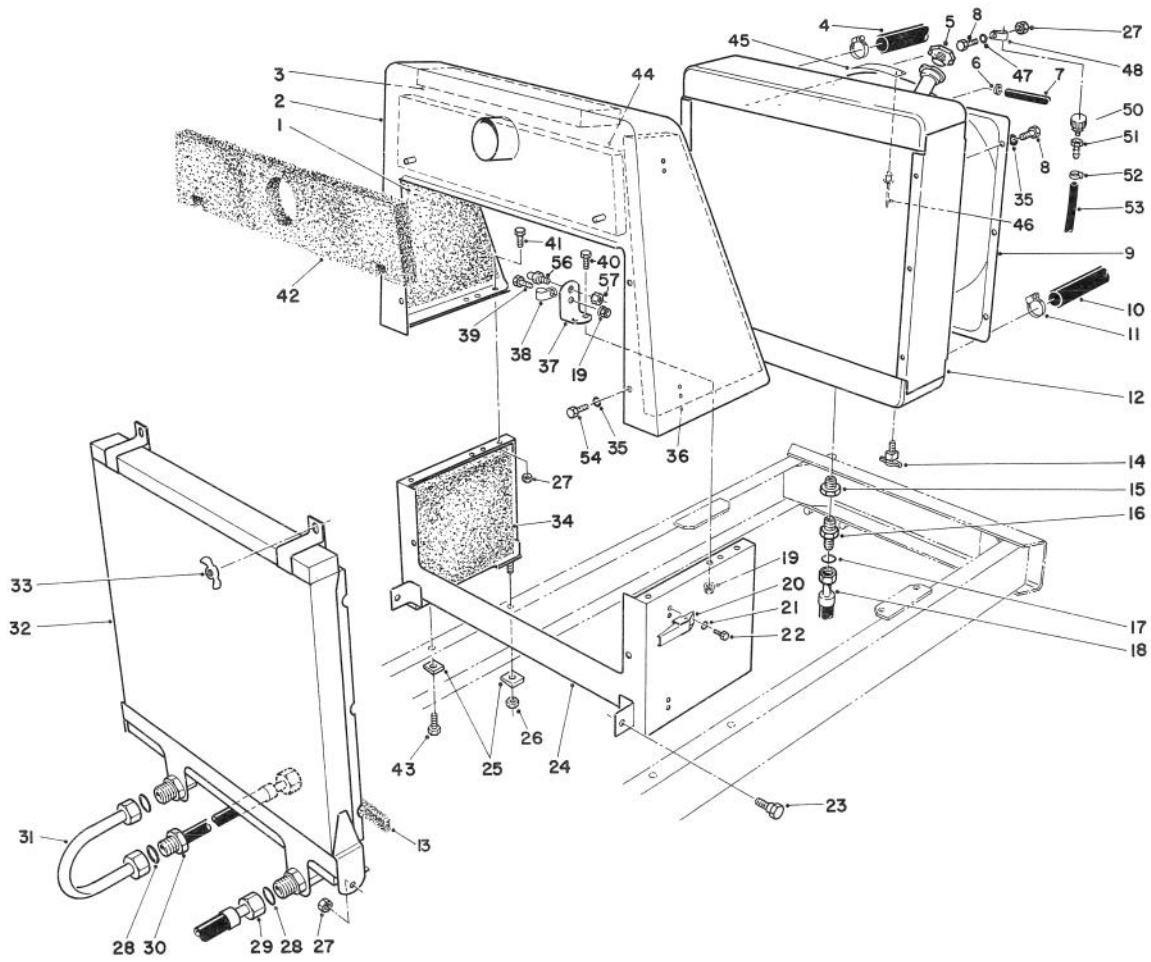
HOOD ASSEMBLY

Ref. No.	Part No.	Description	No. Used
1	71-0270	Foam - Hood Side R.H.	1
2	71-0250	Foam - Hood Top	1
3	71-0260	Foam - Hood Side L.H.	1
4	92-1772	Hood Assembly (Incl. Ref.#1-4, 8, 15-17, 20, 26 & 29)	1
5	3290-321	Screw - Cap Hex. Hd.	12
6	69-3010	Strap - Hold Down (Incl. Ref. #10)	4
7	3296-2	Nut - Flange Lock	12
8	71-0060	Support - Foam	1
9	69-9520	Panel - Rear	1
†10		Latch - Hold - Down	4
11	3234-14	Screw - Cap Hex. Hd.	6
12	69-1390	Panel - Side L.H.	1
*	69-1380	Panel - Side R.H.	1
13	3290-134	Screw - Cap Hex. Hd.	4
14	71-0400	Foam - Side Panel	2

Ref. No.	Part No.	Description	No. Used
15	69-9723	Seal - Hood Bottom	2
16	32149-2	Nut - Keps	16
17	69-8230	Bracket - Trim L.H.	1
18	88-6770	Stud - Ball	2
19	88-6760	Spring - Gas	2
20	69-8250	Bracket - Trim R.H.	1
21	69-8500	Shim - Hinge Bracket	6
22	3253-21	Washer - Lock	6
23	323-6	Screw - Cap Hex. Hd.	4
24	3256-24	Washer - Flat	6
25	323-4	Screw - Cap Hex. Hd.	2
26	69-0950	Decal - 580D	2
27	66-6140	Decal - TORO	1
28	69-8520	Bracket - Hinge	2
29	69-9724	Seal - Hood Front	1
30	32149-7	Nut	4
31	32152-1	Nut	2

*Not Illustrated

†Not serviceable separately.

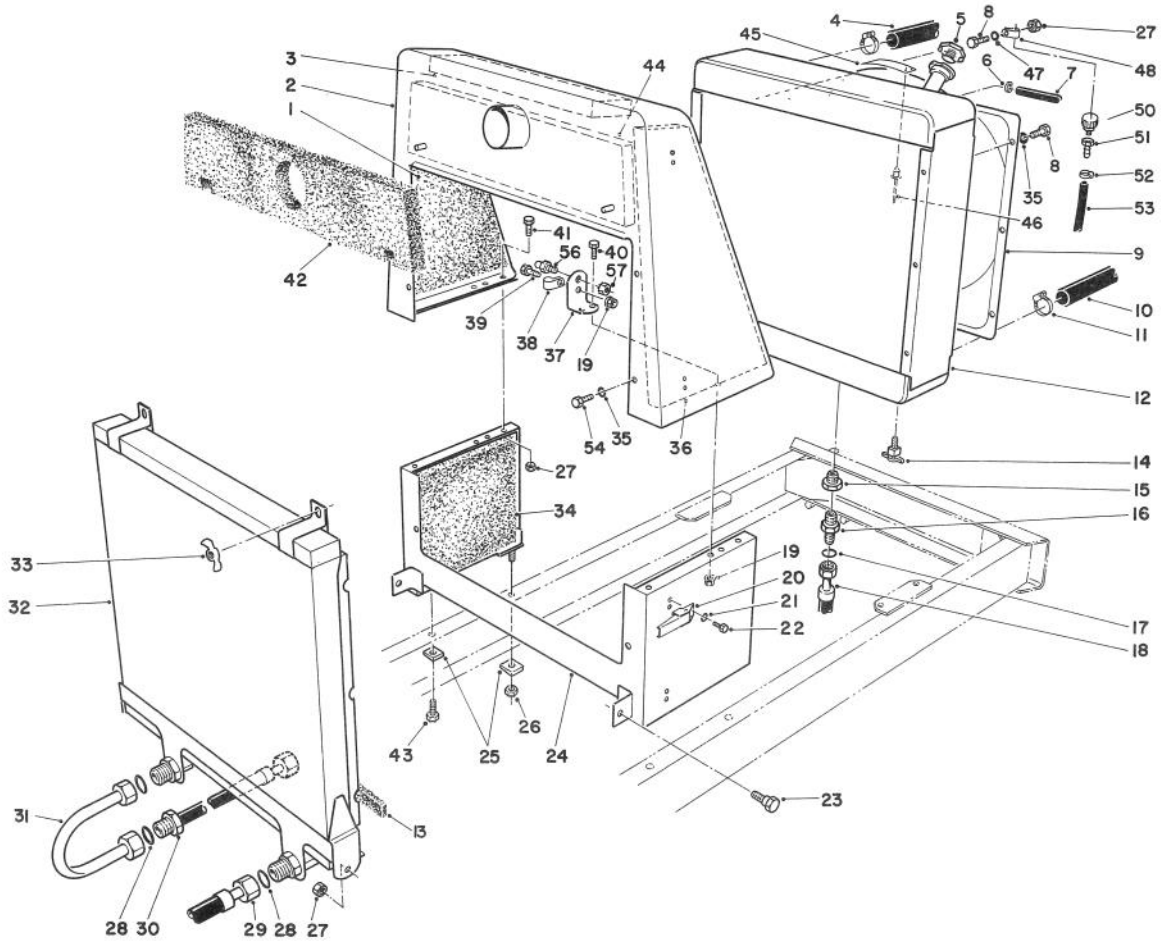


T-0359A

RADIATOR & OIL COOLER ASSEMBLY

Ref. No.	Part No.	Description	No. Used
1	71-0350	Foam - Rad. Support R.H.	1
2	69-8590	Support - Radiator Upper	1
3	71-0360	Foam - Rad. Support Top	1
4	69-5380	Hose - Upper Radiator	1
5	66-3241	Cap - Radiator	1
6	2412-6	Clamp - Hose	1
7	23-2140	Hose - Radiator Vent	1
8	323-34	Screw - Cap Hex. Hd.	7
9	13-4239	Shroud - Fan (Incl. Ref. #45 & 46)	1
10	69-5390	Hose - Lower Radiator	1
11	2412-92	Clamp - Hose	4
12	69-1640	Radiator	1
13	71-0210	Foam - Radiator Seal	1
14	304-46	Valve - Drain	1
15	2812-4	Fitting - Reducer	2
16	340-124	Fitting - Hydraulic Straight (Incl. Ref. #17)	2
17	237-22	Seal - O-Ring	2
18	69-8430	Hose - Hydraulic	2
19	32128-20	Nut - Flange Lock	5
20	69-3020	Latch	8
21	3253-2	Washer - Lock	16
22	3290-321	Screw - Cap Hex. Hd.	16
23	46-3380	Bolt - Shoulder	2
24	69-7100	Support - Radiator Lower	1

Ref. No.	Part No.	Description	No. Used
25	3290-216	Washer - Bevel	4
26	32153-5	Nut - Lock	2
27	32152-2	Nut - Lock	7
28	340-65	Seal - O-Ring	3
29	69-5620	Hose - Hydraulic	1
30	69-8450	Hose - Hydraulic (Incl. Ref. #28)	1
31	69-5900	Tube - Hydraulic	1
32	69-1670	Cooler - Oil (Incl. Ref. #28)	1
33	32103-3	Nut - Wing	2
34	71-0370	Foam - Lower Rad. Support	2
35	3253-21	Washer - Lock	12
36	71-0340	Foam - Rad. Support L.H.	1
37	88-9450	Bracket - Hood Cylinder	2
38	2412-41	Clamp - R	1
39	322-5	Screw - Cap Hex. Hd.	1
40	322-6	Screw - Cap Hex. Hd.	4
41	323-7	Screw - Cap Hex. Hd.	4
42	71-0380	Foam - Rad. Support Front	1
43	325-6	Screw - Cap Hex. Hd.	2
44	71-0390	Foam - Rad. Support Rear	1
45	76-8750	Plate - Caution	2
46	3290-271	Rivet - Pop	4
47	3256-56	Washer - Flat	2
48	2412-147	Clamp - R	1
50	68-6150	Breather	1

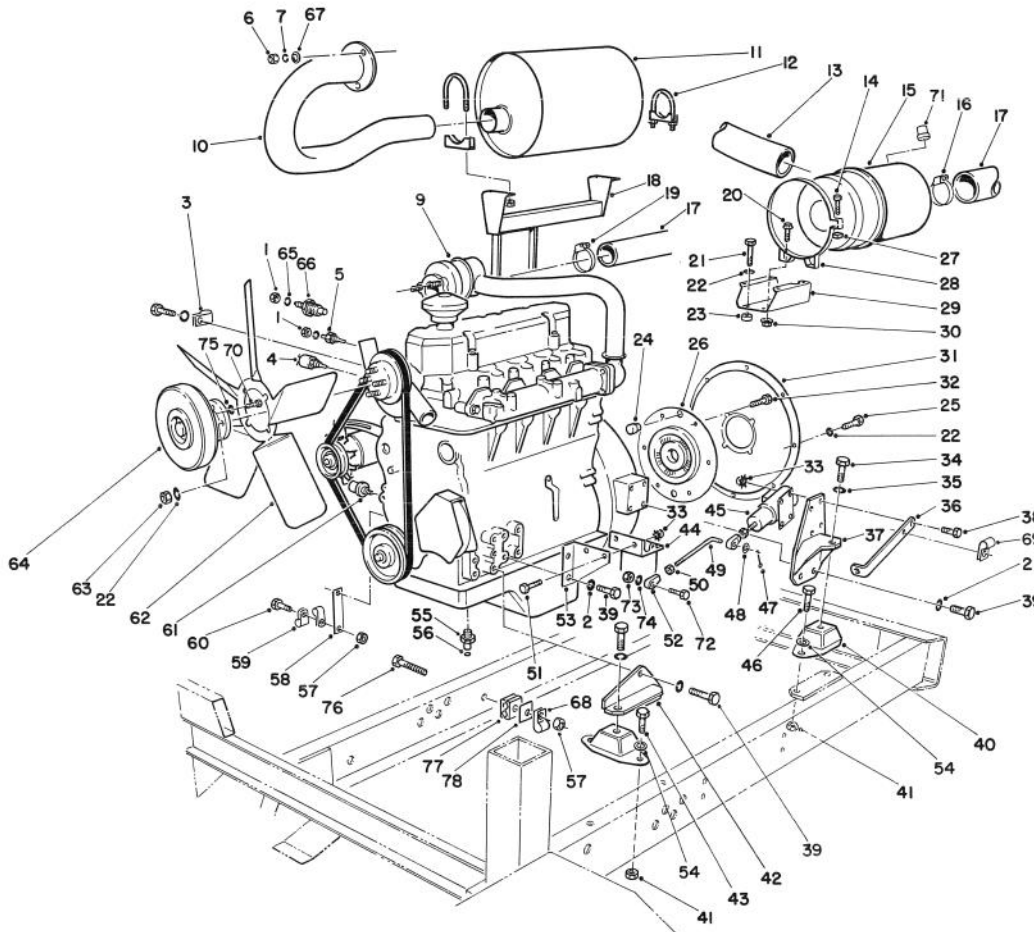


T-0359A

RADIATOR & OIL COOLER ASSEMBLY (Continued)

Ref. No.	Part No.	Description	No. Used
51	354-95	Fitting	1
52	2412-108	Clamp - Hose	2
53	71-2680	Hose - Vent	1

Ref. No.	Part No.	Description	No. Used
54	32144-69	Screw - Cap, Hex. Hd.	6
56	88-6770	Stud - Ball	2
57	32152-1	Nut - Lock	2

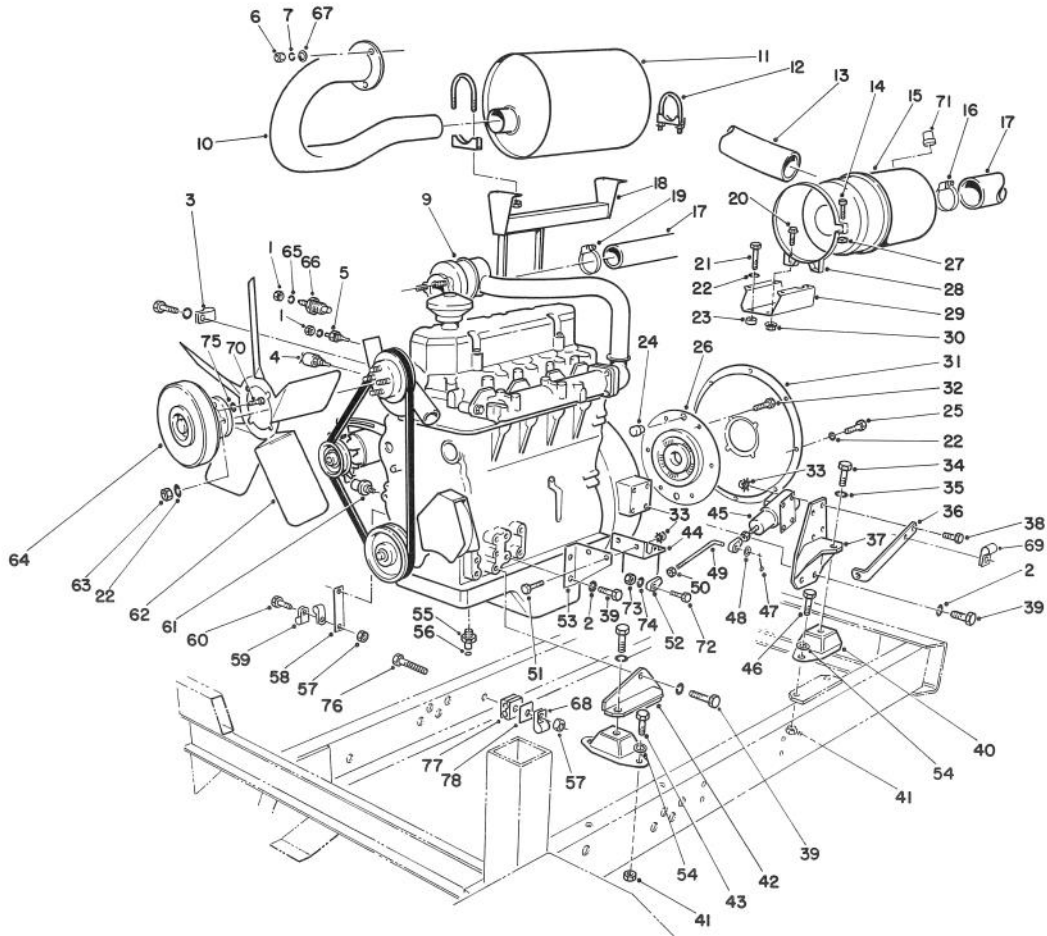


T-0347

ENGINE INSTALLATION ASSEMBLY

Ref. No.	Part No.	Description	No. Used	Ref. No.	Part No.	Description	No. Used
1	3219-14	Nut - Hex.	2	29	69-9530	Bracket - Air Cleaner	1
2	48-8070	Washer - Lock	16	30	32128-20	Nut - Flange Lock	4
3	2412-70	Clamp - R	1	31	69-9550	Plate - Adapter	1
4	67-4510	Sending Unit - Temperature	1	32	48-7780	Screw - Cap Hex. Hd.	6
5	39-7592	Switch - Temperature	1	33	32149-2	Nut - Keps	5
6	48-7930	Nut - Lock	3	34	69-8410	Screw - Cap Hex. Hd.	4
7	48-9570	Washer - Lock	3	35	69-8420	Washer - Lock	4
9	69-6250	Engine - Assembly	1	36	69-8490	Bracket - Throttle Cable	1
10	76-0980	Pipe - Exhaust	1	37	85-6210	Bracket - Rear Eng. Mount	2
11	69-9420	Muffler	1	38	321-6	Screw - Cap Hex. Hd.	3
12	20-4840	Clamp - Exhaust	2	39	69-0060	Screw - Cap Hex. Hd.	16
13	69-5350	Hose - Air Cleaner Inlet	1	40	69-1660	Mount - Engine	4
14	3258-19	Screw - Machine	2	41	32153-5	Nut - Lock	8
15	69-1890	Air Cleaner Assembly	1	42	69-7580	Bracket - Front Engine Mount L.H.	1
16	2412-110	Clamp - Hose	3	*	69-7570	Bracket - Front Engine Mount R. H.	1
17	69-5360	Hose - Air Cleaner	1	43	325-17	Screw - Cap Hex. Hd.	4
18	69-7610	Bracket - Muffler	1	44	69-1750	Fuel Filter Assembly	1
19	2412-42	Clamp - Hose	1	45	85-6230	Solenoid - Engine Run	1
20	3234-14	Screw - Hex. Washer Hd.	4	46	325-4	Screw - Cap Hex. Hd.	4
21	48-9480	Screw - Cap Hex. Hd.	4	47	3272-6	Pin - Cotter	1
22	48-9590	Washer - Lock	16	48	3256-1	Washer - Flat	1
23	17-7190	Spacer	4	49	69-9110	Rod - Engine Run Solenoid	1
24	58-3590	Pin - Flywheel	2	50	3220-1	Nut - Jam	2
25	48-9470	Screw - Cap Hex. Hd.	8	51	321-4	Screw - Cap Hex. Hd.	2
26	92-1753	Coupling - Spring Centering	1				
27	32107-11	Nut - Square	2				
28	69-1950	Band - Air Cleaner (Incl. Ref. #14 & 27)	2				

*Not Illustrated



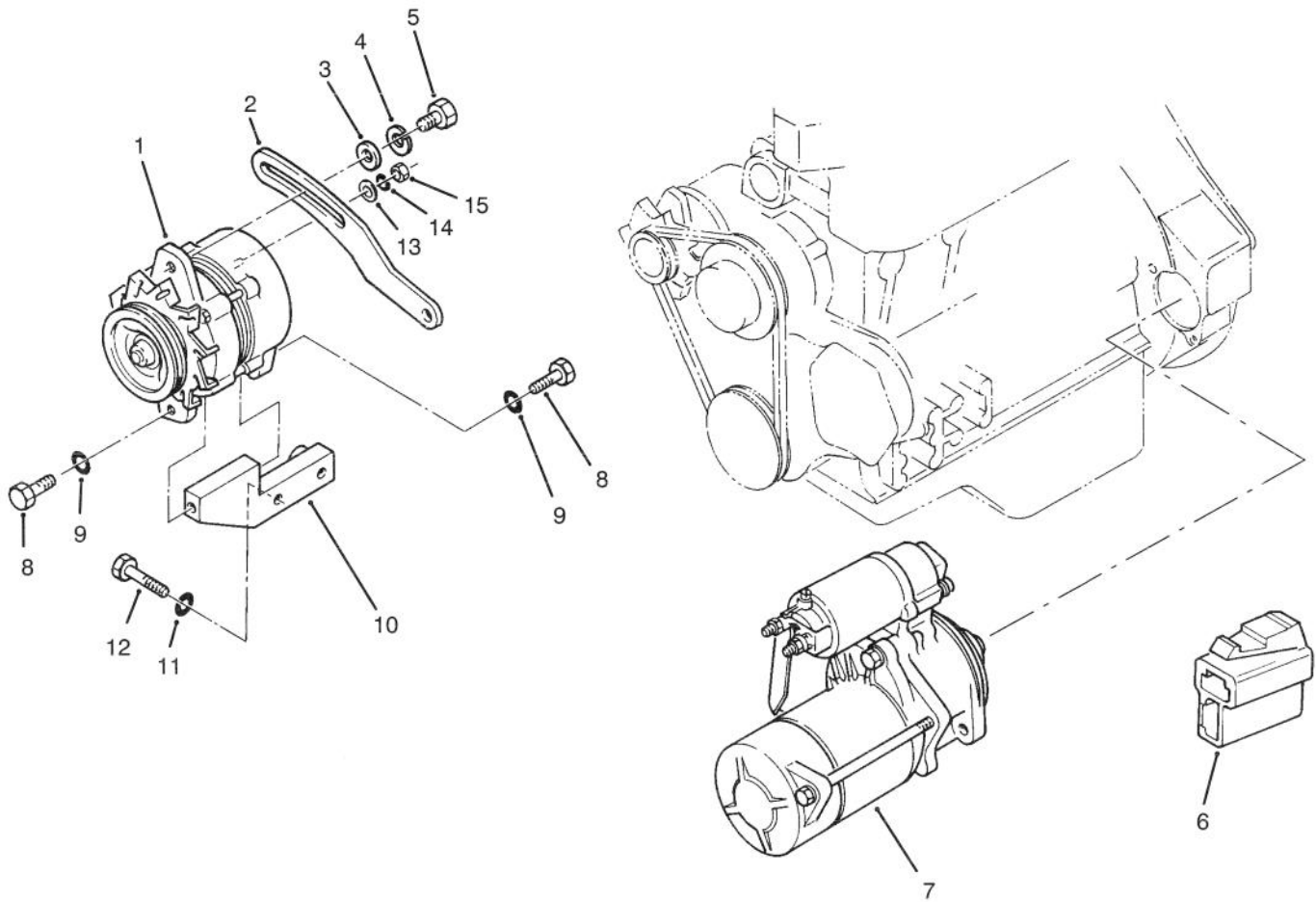
T-0347

ENGINE INSTALLATION ASSEMBLY (Continued)

Ref. No.	Part No.	Description	No. Used
52	2411-41	End - Rod	2
53	69-9360	Bracket - Fuel Filter	1
54	3256-26	Washer - Flat	8
55	69-8460	Fitting - Hydraulic Straight (Incl. Ref. #56)	2
56	237-22	Seal - O-Ring	2
57	32152-1	Nut - Lock	2
58	69-9070	Bracket - Clamp	1
59	2412-41	Clamp - R	2
60	323-6	Screw - Cap Hex. Hd.	1
61	71-4280	Sending Unit - Oil Pressure	1
62	69-1680	Fan	1
63	69-9710	Nut - Lock	4
64	69-1690	Clutch - Fan	1

Ref. No.	Part No.	Description	No. Used
65	3253-2	Washer - Lock	2
66	39-7591	Thermo Switch Assembly	1
67	3256-3	Washer - Flat	3
68	2412-39	Clamp - R	1
69	2412-73	Clamp - R	1
70	323-4	Screw - Cap Hex. Hd.	4
71	69-1940	Indicator - Electrical	1
72	48-7630	Screw	1
73	48-7890	Nut - Hex.	1
74	3253-3	Washer - Lock	1
75	3253-21	Washer - Lock	4
76	322-13	Screw - Cap Hex. Hd.	1
77	56-7974	Clamp Half - Hydraulic Line	2
78	69-9761	Plate - Cover	1

*Not Illustrated

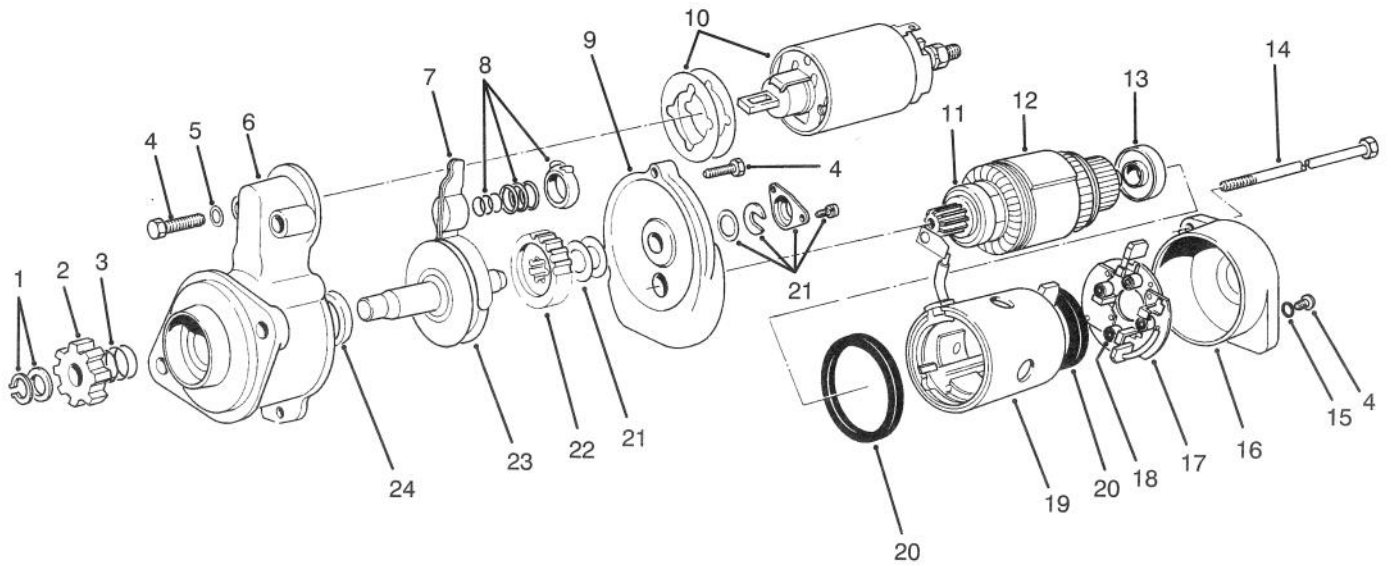


T-0580

STARTER & ALTERNATOR INSTALLATION ASSEMBLY

Ref. No.	Part No.	Description	No. Used
1	70-5760	Alternator Assembly	1
2	70-5740	Plate	1
3	51-8590	Washer	1
4	51-7250	Washer - Lock	1
5	60-7370	Bolt	1
6	59-6910	Connector	1
7	70-5860	Starter Assembly	1
8	51-8640	Bolt	2

Ref. No.	Part No.	Description	No. Used
9	51-6390	Washer - Lock	2
10	70-5750	Bracket	1
11	51-8610	Washer - Lock	2
12	70-2940	Bolt	2
13	5-3637	Washer - Flat	1
14	43-5920	Washer - Lock	1
15	43-5970	Nut - Hex.	1



STARTER MOTOR ASSEMBLY NO. 70-5860

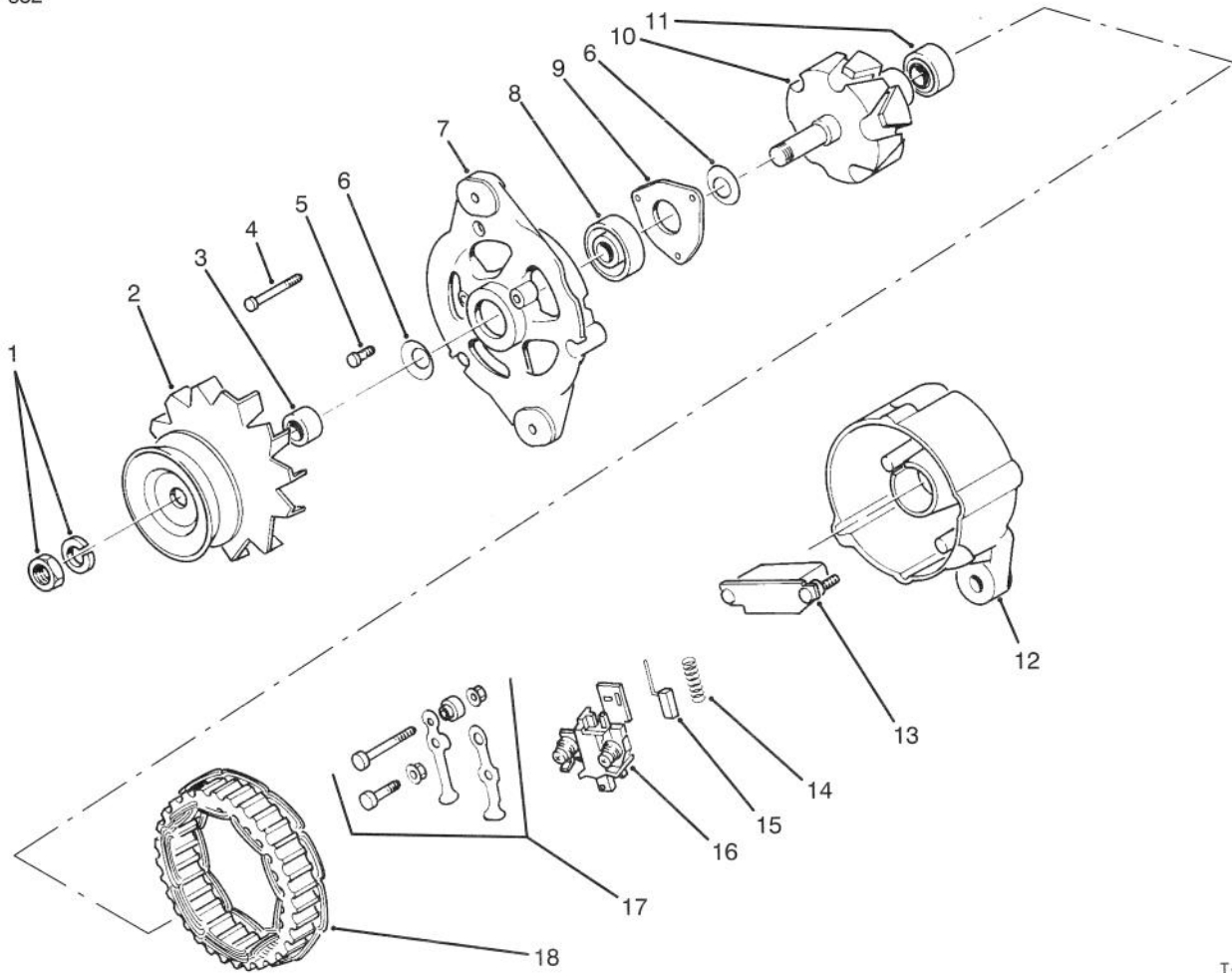
T-0160

Ref. No.	Part No.	Description	No. Used
1	51-7740	Retaining Ring Assembly	1
2	51-7730	Gear Pinion Assembly (Incl. Ref. #1 & 3)	1
†3		Spring	1
4	51-7600	Screw Set	1
5	51-7610	Packing	2
6	70-3280	Cover Assembly Front (Incl. Ref. #24)	1
7	51-7640	Lever Assembly	1
8	51-7650	Spring Assembly	1
9	51-7660	Bracket Assembly Center	1
10	51-7670	Solenoid	1
11	51-7690	Bearing	1
12	70-3260	Armature Assembly (Incl. Ref. #11 & 13)	1
13	70-3330	Bearing	1

Ref. No.	Part No.	Description	No. Used
14	70-3310	Bolt Set	1
15	51-7840	Ring - Rubber	2
16	51-7830	Cover - Rear	1
17	70-3290	Brush Holder Assembly (Incl. Ref. #18)	1
18	70-3270	Spring - Brush	4
19	70-3300	Yoke Assembly	1
20	51-7790	Packing	2
21	51-7780	Cover Assembly	1
22	51-7770	Gear - Pinion	1
23	51-7760	Shaft Assembly	1
24	51-7630	Seal - Oil	1
*	51-7750	Gear Assembly (Incl. Ref. #22 & 23)	1
*	51-7720	Clutch Assy. (Incl. Ref. #1-3 & 21-24)	1

*Not Illustrated

†Not Serviceable Separately

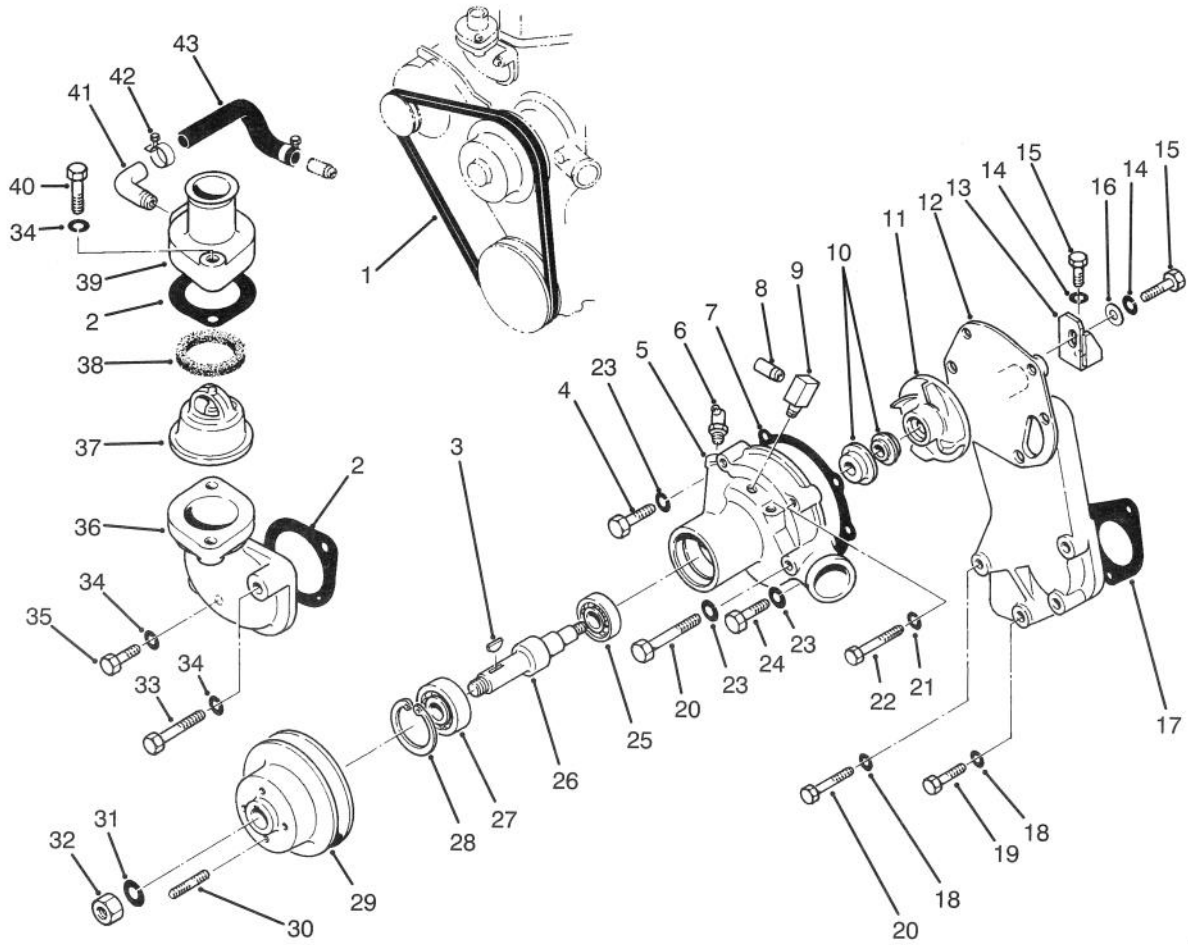


T-0161

ALTERNATOR ASSEMBLY NO. 70-5760

Ref. No.	Part No.	Description	No. Used	Ref. No.	Part No.	Description	No. Used
1	51-7850	Nut Assembly	1	10	51-7910	Rotor Assembly (Incl. Ref. #11)	1
2	70-2800	Pulley Assembly (Incl. Ref. #3)	1	11	60-5360	Bearing	1
†3		Collar - Shaft	1	12	60-5380	Cover Assembly - Rear (Incl. Ref. #13-17)	1
4	51-7870	Screw Set	1	13	60-5370	Rectifier Assembly	1
5	51-7890	Screw Set	1	14	70-2810	Spring - Return	2
†6		Spring Washer	2	15	51-7970	Brush	2
7	60-5340	Cover Assembly - Front (Incl. Ref. #5, 6, 8 & 9)	1	16	51-7960	Regulator Assembly (Incl. Ref. #14 & 15)	1
8	70-3320	Bearing	1	17	51-7950	Terminal Assembly	1
†9		Plate - Bearing Retainer	1	18	51-7930	Stator	1

†Not Serviceable Separately



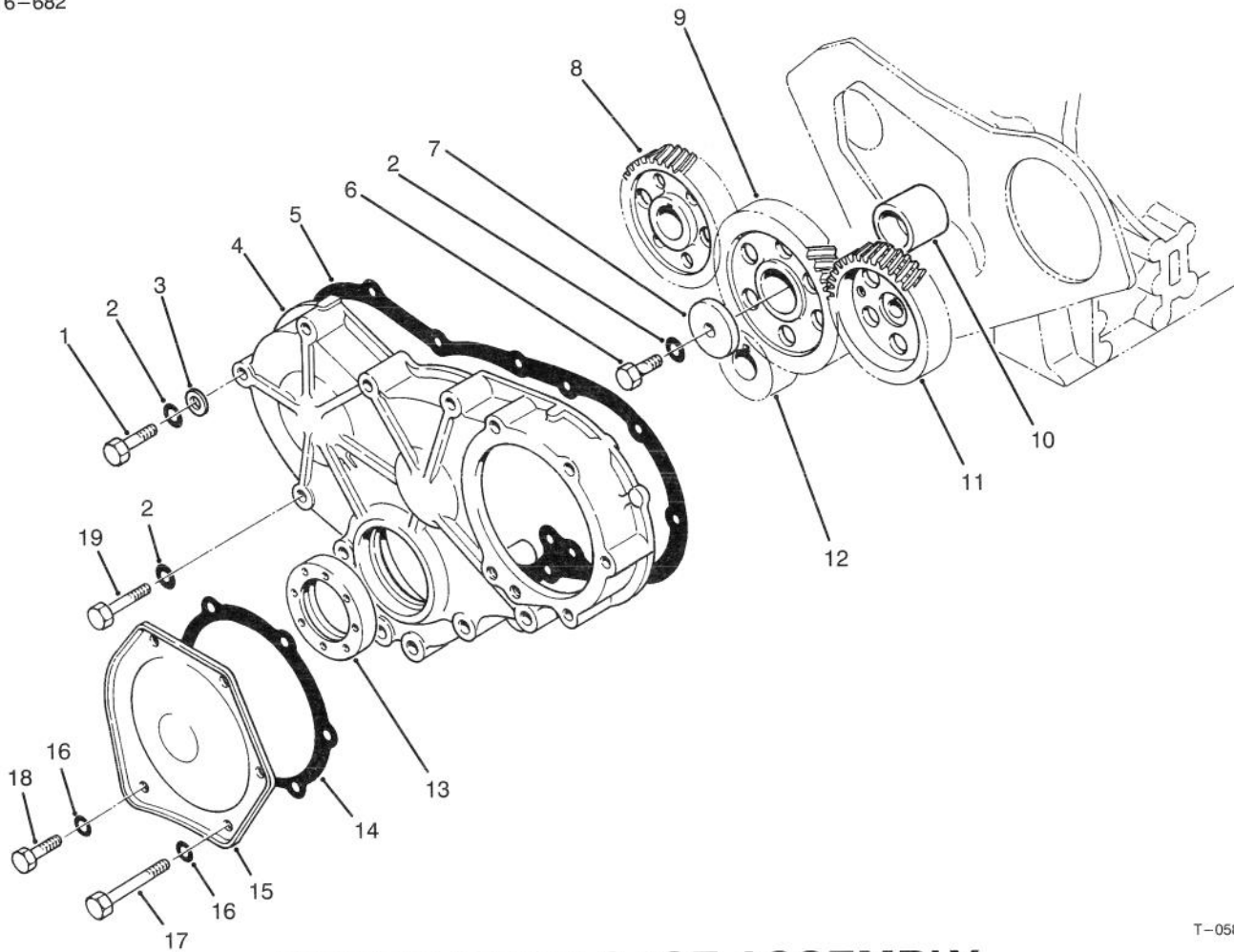
T-0581

WATER PUMP ASSEMBLY

Ref. No.	Part No.	Description	No. Used
1	70-3450	V-Belt	1
†2	51-7210	Gasket	2
3	51-6960	Key	1
4	70-2910	Bolt	1
5	70-5600	Water Pump Assembly (Incl. Ref #3-4, 6-11 & 25-32)	1
6	51-7020	Nipple	1
7	70-5650	Gasket	1
8	51-7170	Pipe	1
9	70-5620	Connector	1
10	51-7030	Seal	1
11	70-5610	Impeller	1
12	70-5640	Bracket	1
13	70-5670	Stay	1
14	51-6390	Washer - Lock	2
15	70-2890	Bolt	2
16	70-2990	Washer	1
†17	70-5660	Gasket	1
18	51-6390	Washer - Lock	4
19	70-2900	Bolt	1
20	70-2920	Bolt	3
21	51-6920	Washer - Lock	2

Ref. No.	Part No.	Description	No. Used
22	70-2850	Bolt	2
23	51-6390	Washer - Lock	4
24	51-4910	Bolt	2
25	51-6980	Bearing	1
26	70-5630	Shaft	1
27	51-6950	Bearing	1
28	51-6940	Ring	1
29	70-5680	Pulley	1
30	70-2950	Stud	4
31	51-6920	Washer - Lock	1
32	51-6910	Nut	1
33	70-2860	Bolt	1
34	51-7250	Washer - Lock	4
35	60-7280	Bolt	1
36	70-5690	Elbow	1
37	51-7230	Thermostat	1
†38	51-7220	Gasket	1
39	70-5050	Cover	1
40	60-7040	Bolt	2
41	70-5590	Connector	1
42	51-7200	Clamp	2
43	70-5040	Hose	1

†Included in Gasket Set No. 70-6950



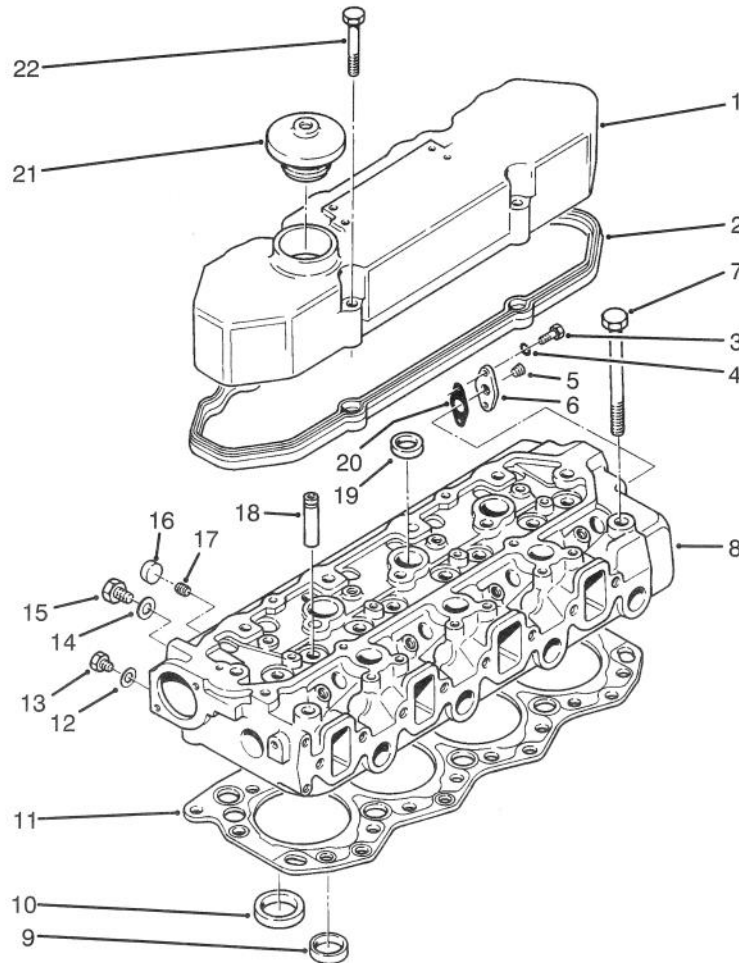
T-0582

TIMING GEAR CASE ASSEMBLY

Ref. No.	Part No.	Description	No. Used	Ref. No.	Part No.	Description	No. Used
1	51-4920	Bolt	1	10	51-6430	Bushing	1
2	51-6390	Washer - Lock	11	11	70-6040	Gear - Injection Pump	1
3	70-2990	Washer	1	12	70-5830	Gear - Crankshaft	1
4	70-5790	Case	1	†13	70-5780	Seal	1
†5	70-5370	Gasket	1	†14	51-5860	Gasket	1
6	60-7210	Bolt	1	15	51-5850	Cover	1
7	51-6400	Plate	1	16	51-7250	Washer - Lock	5
8	70-5020	Gear - Camshaft	1	17	70-2860	Bolt	4
9	70-5450	Idler Assembly (Incl. Ref. #10)	1	18	60-7110	Bolt	1
				19	70-2930	Bolt	9

†Included in Gasket Set No. 70-6950

‡Included In Oil Seal Kit No. 70-6960



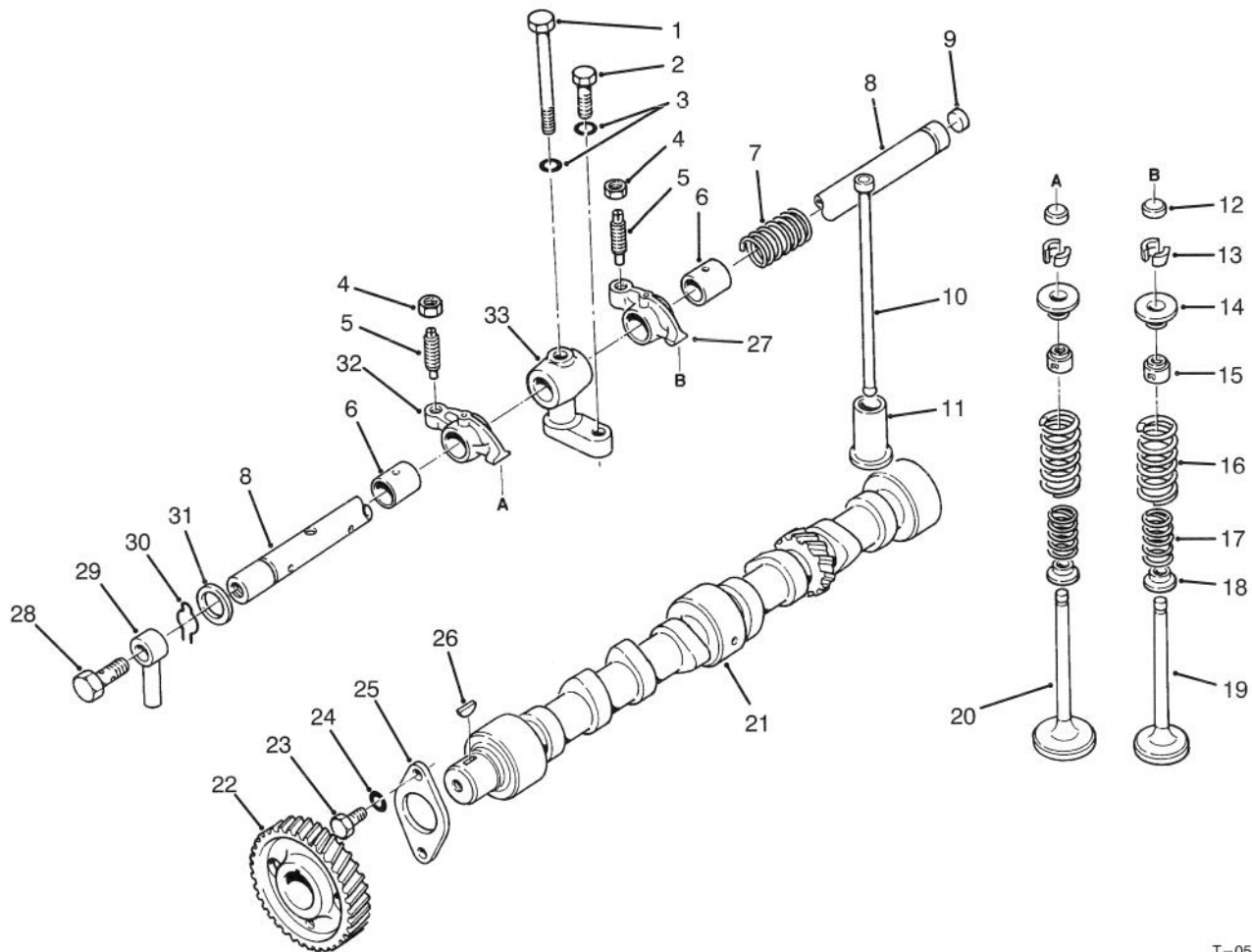
T-0583

ROCKER COVER & CYLINDER HEAD ASSEMBLY

Ref. No.	Part No.	Description	No. Used
1	70-5220	Cover	1
†2	70-5210	Gasket	1
3	60-7280	Bolt	2
4	51-7250	Washer - Lock	2
5	70-5140	Plug	1
6	70-5890	Flange	1
7	63-4740	Bolt	17
8	70-5900	Cylinder Head Assembly (Incl. Ref. #3-6, 9-10 & 12-20)	1
9	70-5870	Insert - Exhaust	4
10	70-5880	Insert - Inlet	4

Ref. No.	Part No.	Description	No. Used
†11	70-5130	Gasket	1
†12	51-5840	Washer	1
13	70-3100	Plug	1
†14	51-6890	Gasket	1
15	70-3230	Plug	1
16	70-3360	Cap	4
17	70-3390	Plug	4
18	51-4950	Guide	8
19	70-3380	Cap	15
20	70-5090	Gasket	1
21	51-5350	Cap	1
22	70-2930	Bolt	4

†Included in Gasket Set No. 70-6950

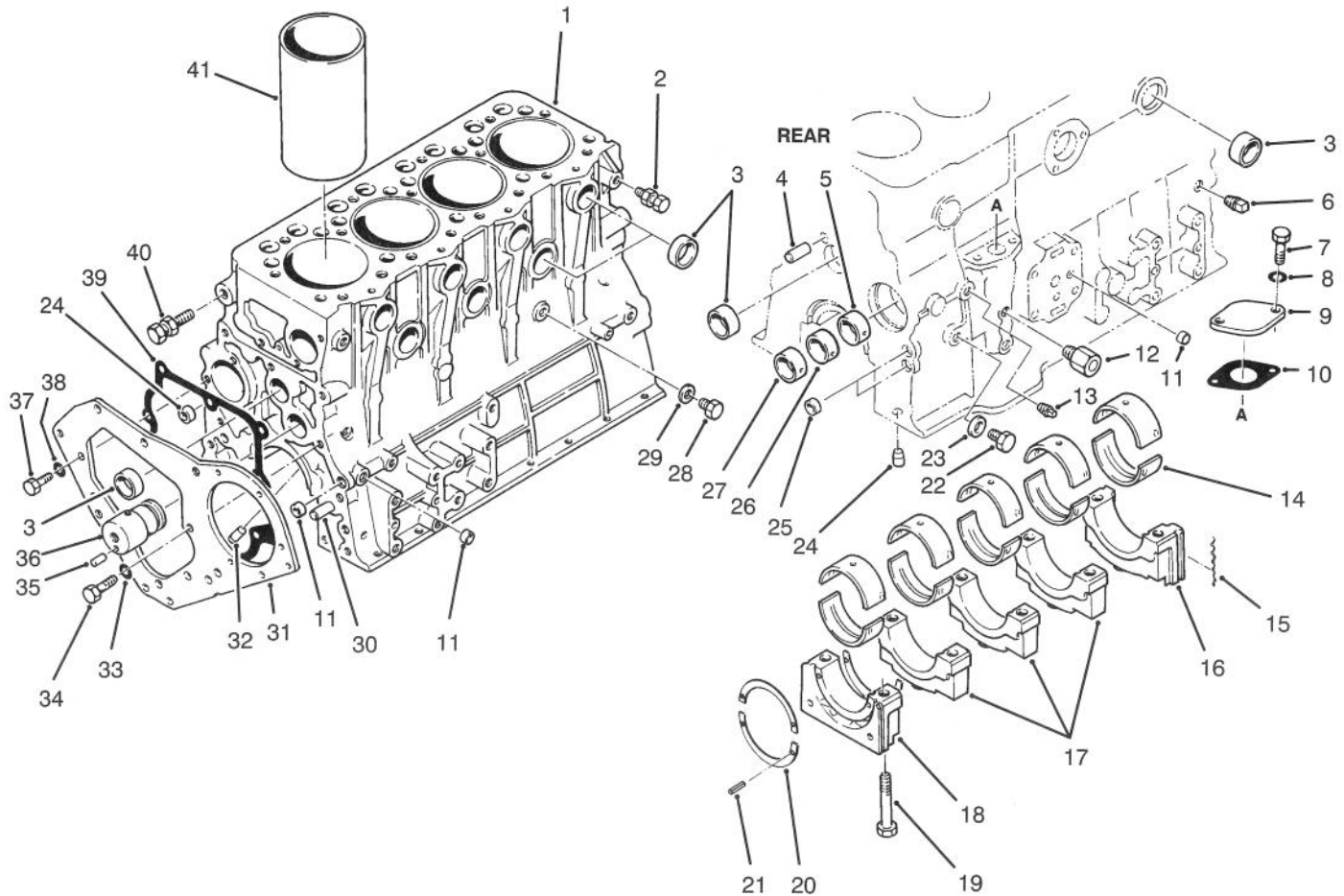


T-0584

VALVE & CAMSHAFT ASSEMBLY

Ref. No.	Part No.	Description	No. Used	Ref. No.	Part No.	Description	No. Used
1	70-2870	Bolt	4	18	70-5000	Retainer	8
2	60-7280	Bolt	4	19	70-5920	Valve - Exhaust	4
3	51-7250	Washer - Lock	8	20	70-5910	Valve - Inlet	4
4	70-2970	Nut	8	21	70-5940	Camshaft	1
5	70-3160	Screw	8	22	70-5020	Gear - Camshaft	1
6	70-5080	Bushing	8	23	60-7110	Bolt	2
7	70-5190	Spring	3	24	51-7250	Washer - Lock	2
8	70-5180	Rocker Shaft Assembly (Incl. Ref. #9)	1	25	51-5470	Plate	1
9	51-5090	Plug	1	26	51-5460	Key	1
10	70-5230	Rod - Push	8	27	70-5160	Rocker Assembly - Exhaust (Incl. Ref. #4-6)	4
11	70-5010	Tappet	8	28	70-3050	Bolt	1
12	51-5280	Cap	8	29	70-5170	Pipe	1
13	51-5290	Cotter (Available in set w/pair)	16	30	51-5260	Ring - Retaining	2
14	51-5300	Retainer	8	31	70-5110	Washer	2
‡15	51-5310	Seal	8	32	70-5150	Rocker Assembly - Intake (Incl. Ref. #4-6)	4
16	70-5930	Spring	8	33	70-5200	Bracket	4
17	70-4990	Spring	8				

‡Included in Oil Seal Kit No. 70-6960



T-0585

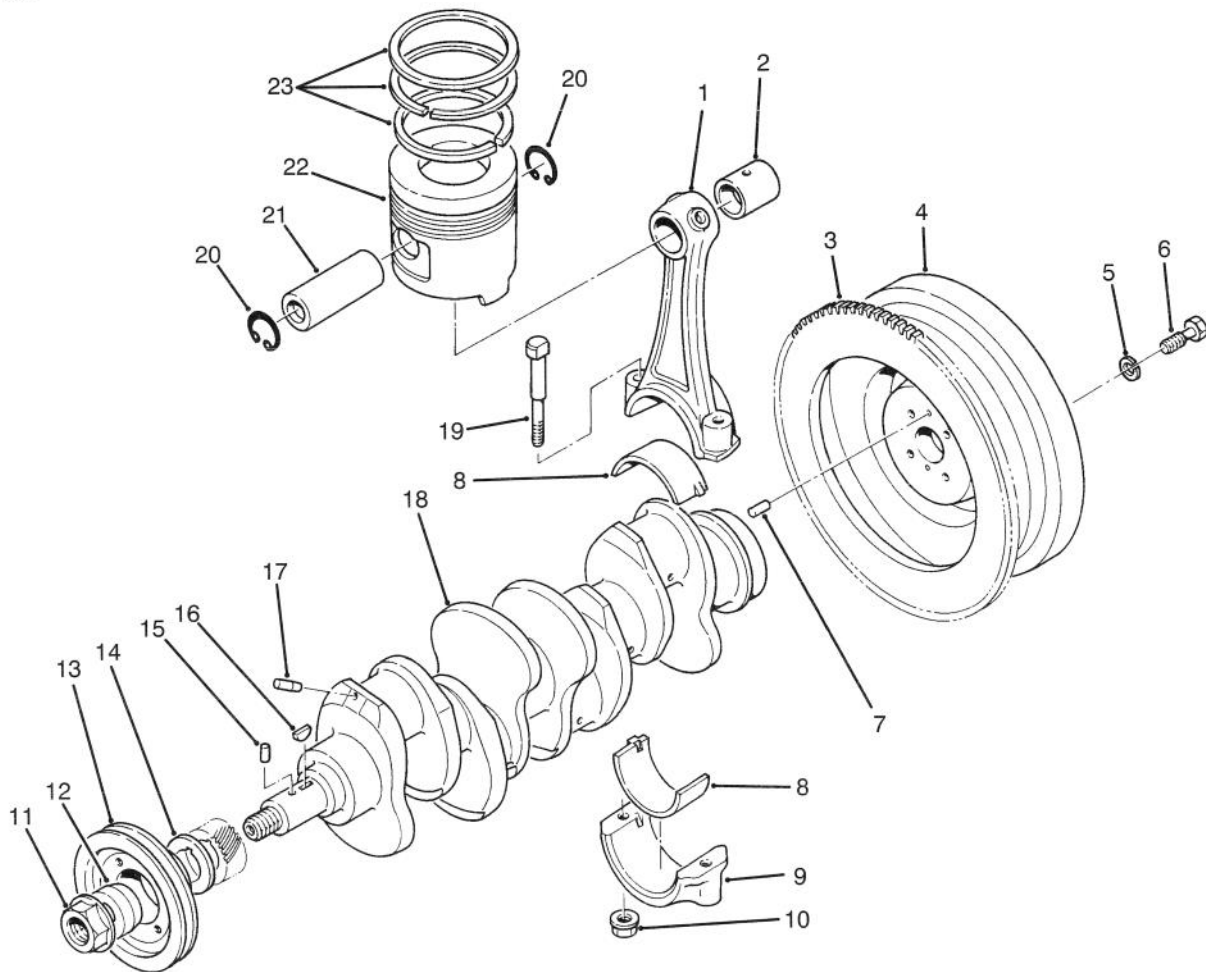
CRANKCASE ASSEMBLY

Ref. No.	Part No.	Description	No. Used
1	70-5960	Crankcase Assembly (Incl. Ref. #2-6, 11, 13, 15-19, 21-30, 32, 35-36, & 40-41)	1
2	51-5580	Hanger	1
3	51-5600	Cap	11
4	70-3000	Pin	2
5	51-5500	Bushing No. 1	1
6	70-3400	Plug	6
7	60-7280	Bolt	2
8	51-7250	Washer	2
9	51-6480	Cover	1
†10	51-6490	Gasket	1
11	70-3350	Cap	6
12	70-5950	Connector	1
13	70-3410	Plug	1
14	70-5350	Bearing - Main (Std.)	10
‡15	70-5240	Seal	4
16		Cap - Bearing No. 1	1
17		Cap - Bearing No. 2,3, & 4	3
18		Cap - Bearing No. 5	1
19	70-5300	Bolt	10
20	70-5360	Plate - Thrust (Std.)	3

Ref. No.	Part No.	Description	No. Used
21	51-5650	Pin	6
22	70-3120	Plug	1
†23	70-3080	Gasket	1
24		Plug	2
25	70-3370	Cap	3
26	51-5510	Bushing - No. 2	1
27	51-5520	Bushing - No. 3	1
28	51-8280	Bolt	1
†29	51-8270	Washer	1
30	70-5320	Pin	2
31	70-5250	Plate	1
32	70-5340	Valve	4
33	51-6390	Washer	1
34	70-2890	Bolt	1
35	51-5650	Pin	1
36	51-5640	Idler Shaft Assembly (Incl. Ref. #35)	1
37	60-7110	Bolt	1
38	51-7250	Washer	1
†39	70-5260	Gasket	1
40	70-5290	Hanger	1
41	70-5280	Sleeve	4

†Included in Gasket Set No. 70-6950

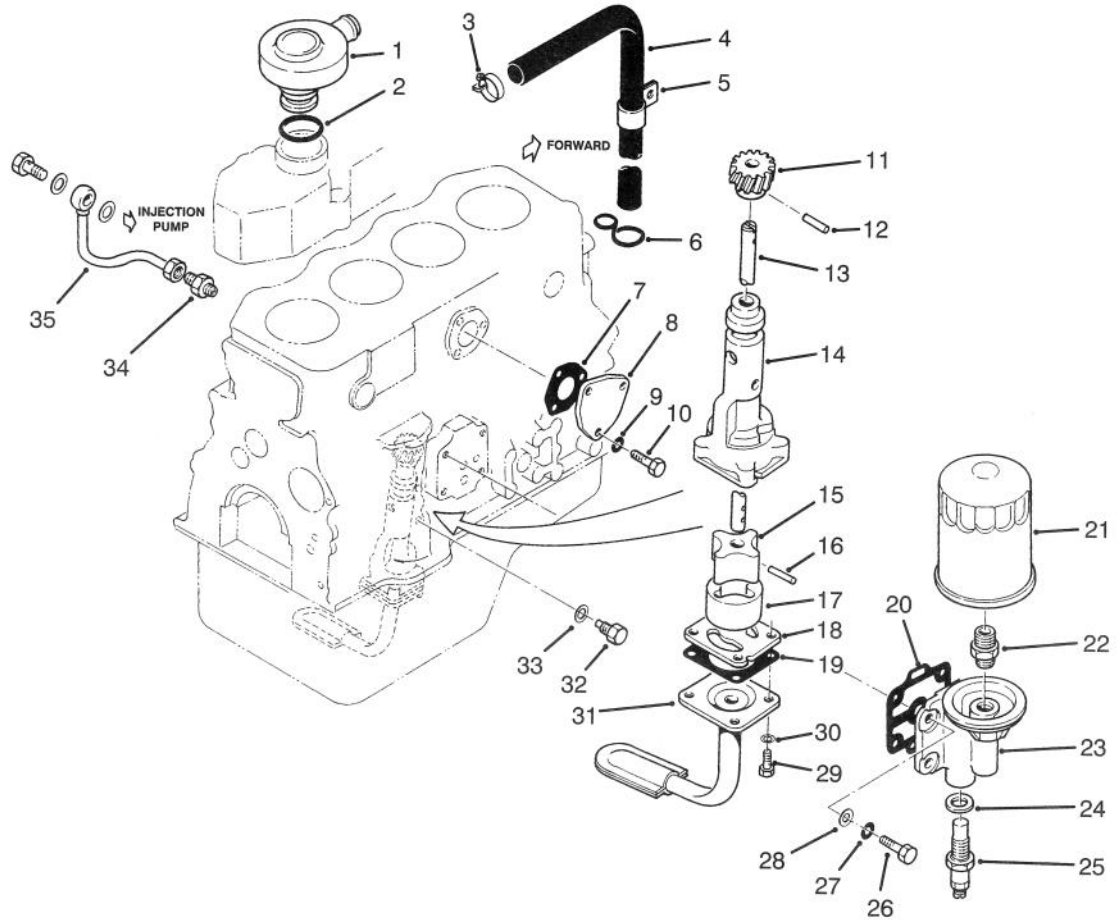
‡Included In Oil Seal Kit No. 70-6960



T-0586

PISTON, CONNECTING ROD, CRANKSHAFT & FLYWHEEL

Ref. No.	Part No.	Description	No. Used	Ref. No.	Part No.	Description	No. Used
1	70-5990	Connecting Rod - Std. (Incl. Ref. #2, 8-10 & 19)	4	12	70-5820	Cone	1
2	70-6000	Bushing	4	13	70-5440	Pulley	1
3	51-6350	Gear	1	14	70-5810	Plate	1
4	70-6030	Flywheel Assembly (Incl. Ref. #3)	1	15	51-5650	Pin	1
5	51-8610	Washer - Lock	4	16	51-5460	Key	1
6	70-2880	Bolt	4	17		Plug	2
7	70-5800	Pin	2	18	70-6020	Crankshaft Assembly (Incl. Ref. #7, 11, & 15-17)	1
8	70-5430	Bearing - Rod (Std.)	8	19	70-6010	Bolt	8
9		Cap	4	20	70-3020	Ring	8
10	70-5420	Nut	8	21	70-5410	Pin	4
11	70-3170	Nut	1	22	70-5980	Piston (Std.)	4
				23	70-5400	Ring Set - Std.	4



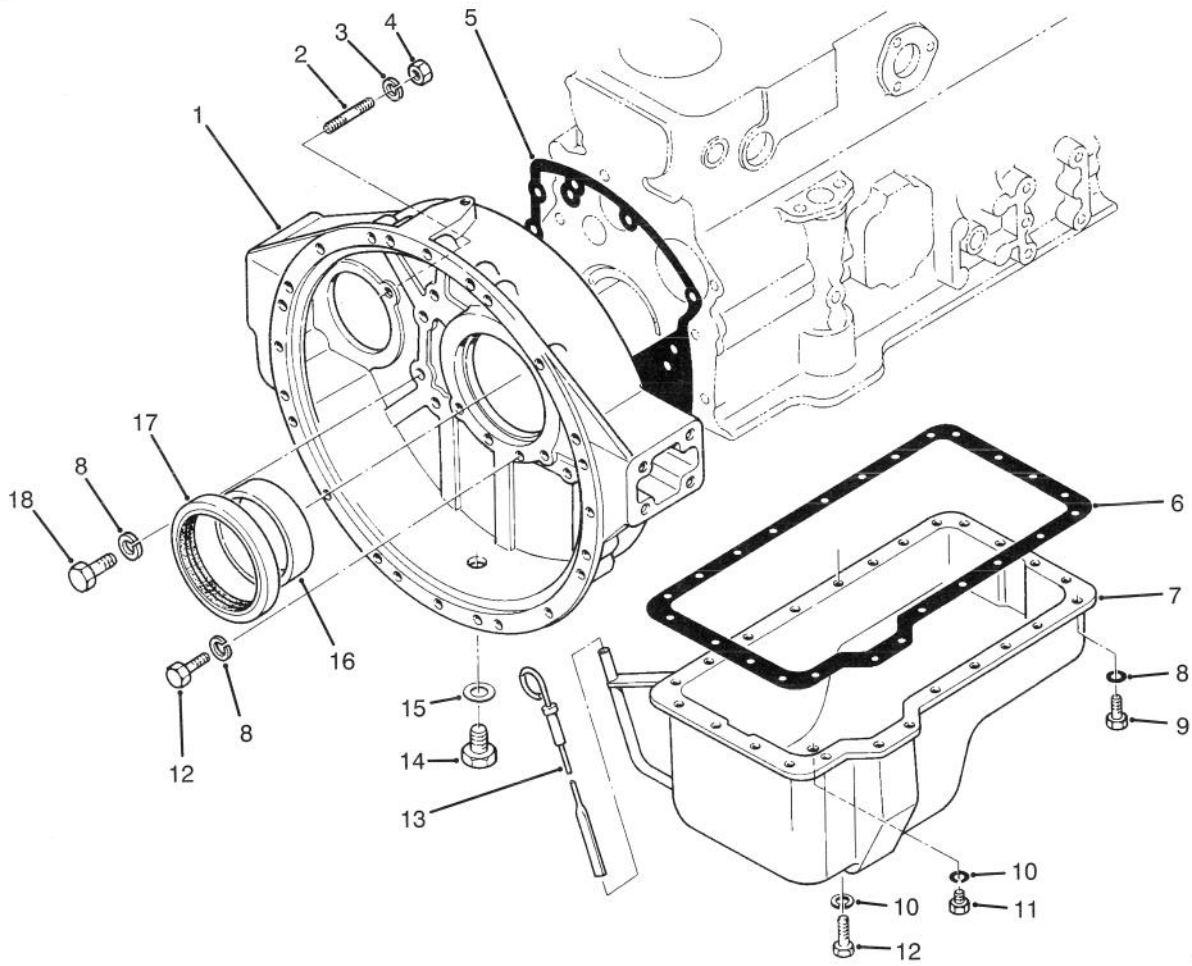
OIL PUMP, BREATHER & FILTER

T-0587

Ref. No.	Part No.	Description	No. Used
1	70-5570	Breather	1
†2	70-3220	O-Ring	1
3	70-3090	Clamp	1
4	70-3030	Tube	1
5	70-3420	Clip	1
6	70-5580	Stay	1
†7	70-5100	Gasket	1
8	70-5270	Cover	1
9	51-7250	Washer	3
10	60-7110	Bolt	3
11		Gear	1
12		Pin	1
13		Shaft	1
14	70-5840	Oil Pump Assembly (Incl. Ref. #11-13, 15-18 & 29-30)	1
15		Rotor	1
16		Pin	2
17		Rotor	1
18	70-5850	Cover	1

Ref. No.	Part No.	Description	No. Used
†19	70-5510	Gasket	1
†20	70-5550	Gasket	1
21	49-2500	Element Assembly	1
22	70-5520	Union	1
23	70-5530	Bracket Assembly (Incl. Ref. #22, 24 & 25)	1
24	51-6820	Washer	1
25	51-6830	Relief Valve Assembly	1
26	60-7480	Bolt	4
27	51-6390	Washer - Lock	4
28	70-2990	Washer	4
29	60-7290	Bolt	4
30	51-7400	Washer	4
31	70-5500	Strainer	1
32	70-5120	Bolt	1
†33	70-3070	Gasket	1
34	70-3340	Connector	1
35	70-5030	Pipe	1
*	70-5540	Oil Filter Assembly (Incl. Ref. #21-25)	1

†Included in Gasket Set No. 70-6950



T-0588

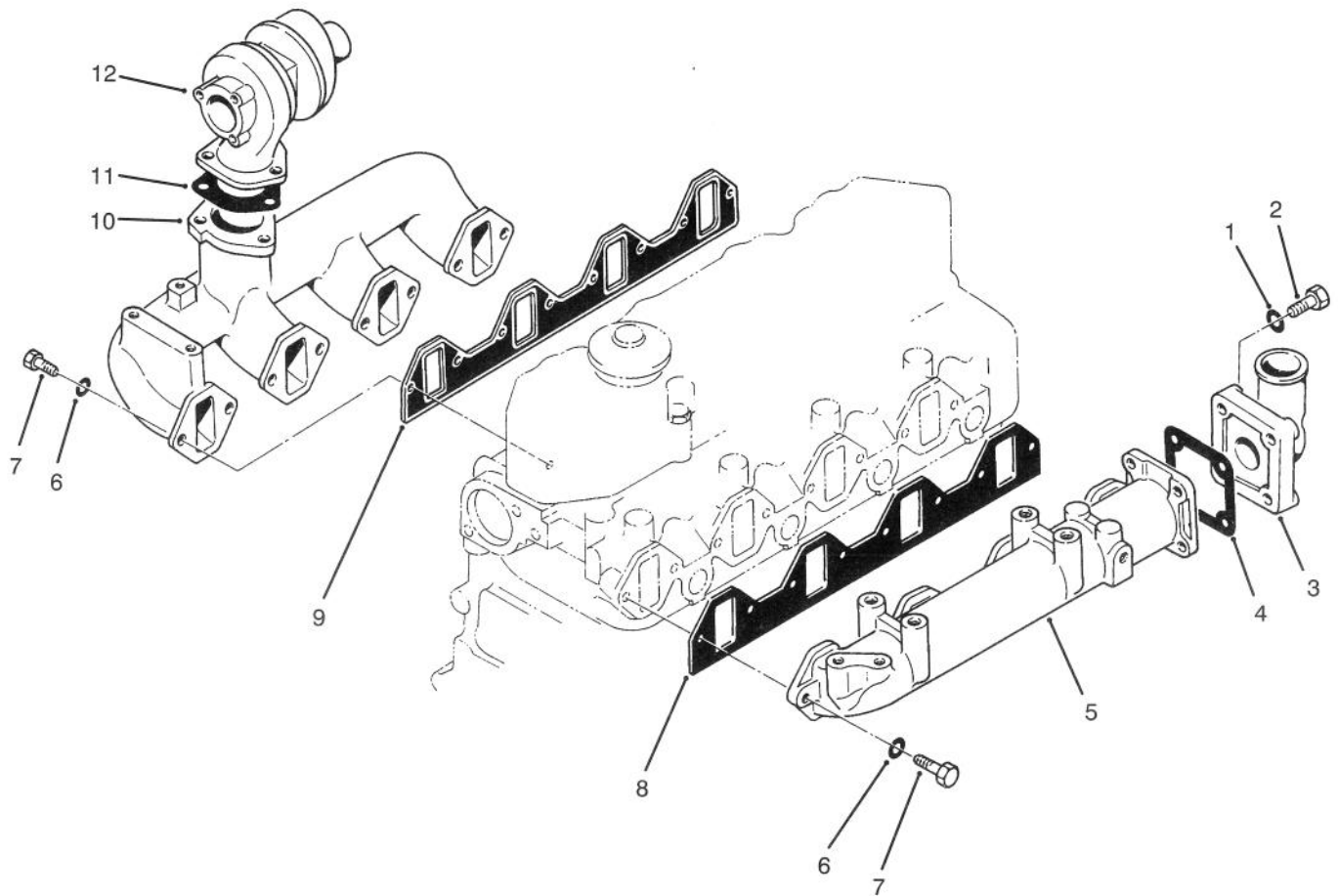
FLYWHEEL HOUSING & OIL PAN ASSEMBLY

Ref. No.	Part No.	Description	No. Used
1	70-5970	Housing	1
2	51-5950	Stud	2
3	51-6390	Washer - Lock	13
4	51-5970	Nut	2
†5	70-5330	Gasket	1
†6	70-5390	Gasket	1
7	70-5380	Pan - Oil (Incl. Ref. #10 & 11)	1
8	51-7250	Washer - Lock	28
9	60-7280	Bolt	23

Ref. No.	Part No.	Description	No. Used
†10	70-3470	Washer - Drain Plug	1
11	70-3110	Plug - Drain	1
12	60-7370	Bolt	5
13	70-5560	Gage	1
14	70-3230	Plug	1
†15	51-6890	Gasket - Plug	1
16		Sleeve	1
‡17	51-5890	Oil Seal Assembly (Incl. Ref. #16)	1
18	70-2900	Bolt	11

†Included in Gasket Set No. 70-6950

‡Included In Oil Seal Kit No. 70-6960



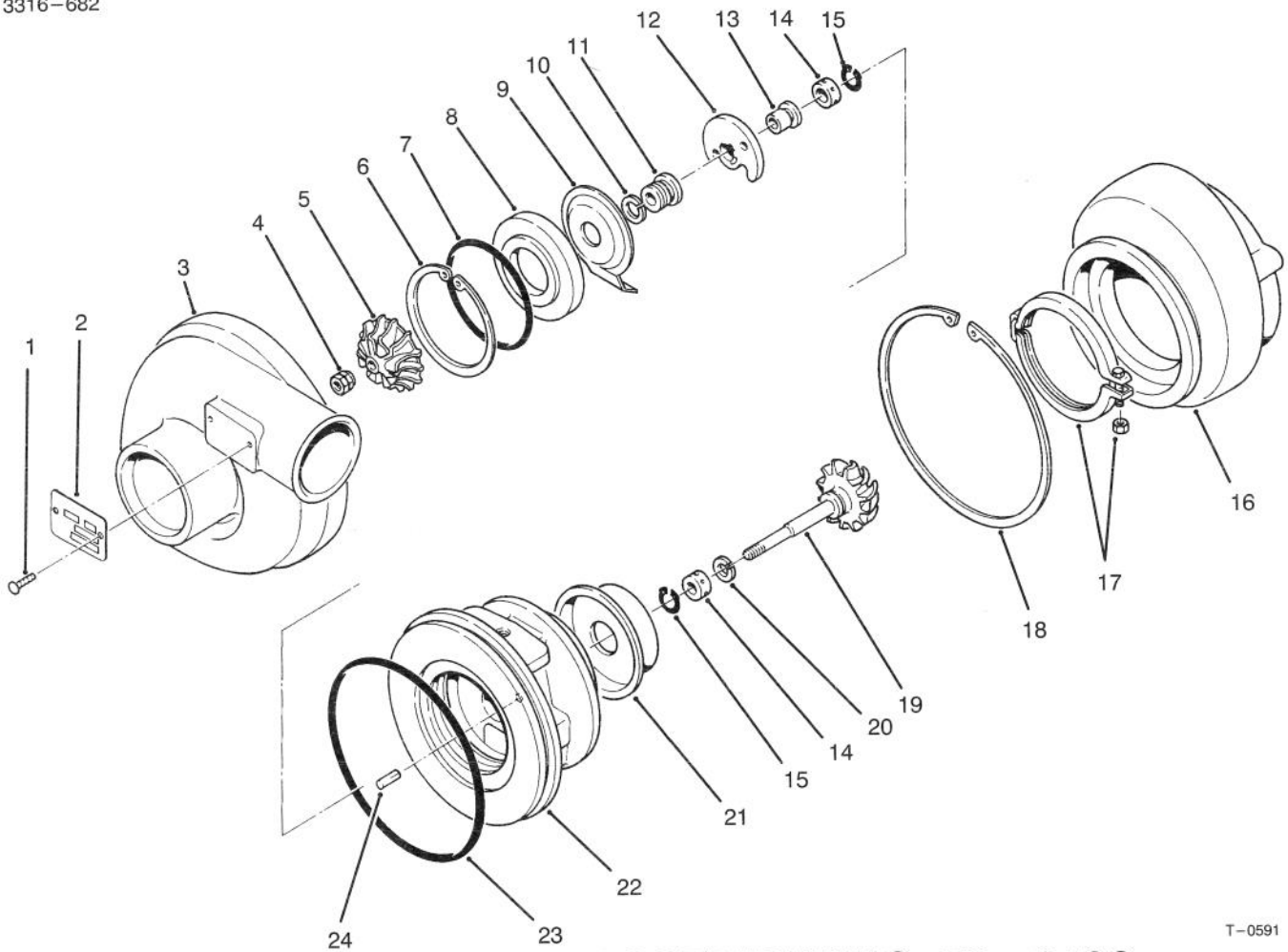
INTAKE & EXHAUST MANIFOLD ASSEMBLY

T-0590

Ref. No.	Part No.	Description	No. Used
1	51-7250	Washer	4
2	60-7370	Bolt	4
3	70-6090	Elbow	1
†4	70-3130	Gasket	1
5	70-6050	Manifold	1
6	51-7250	Washer	16

Ref. No.	Part No.	Description	No. Used
7	60-7370	Bolt	16
†8	70-6060	Gasket	1
†9	70-5460	Gasket	1
10	70-5470	Manifold	1
†11	70-6250	Gasket	1
12	70-6430	Turbocharger Assembly	1

†Included in Gasket Set No. 70-6950

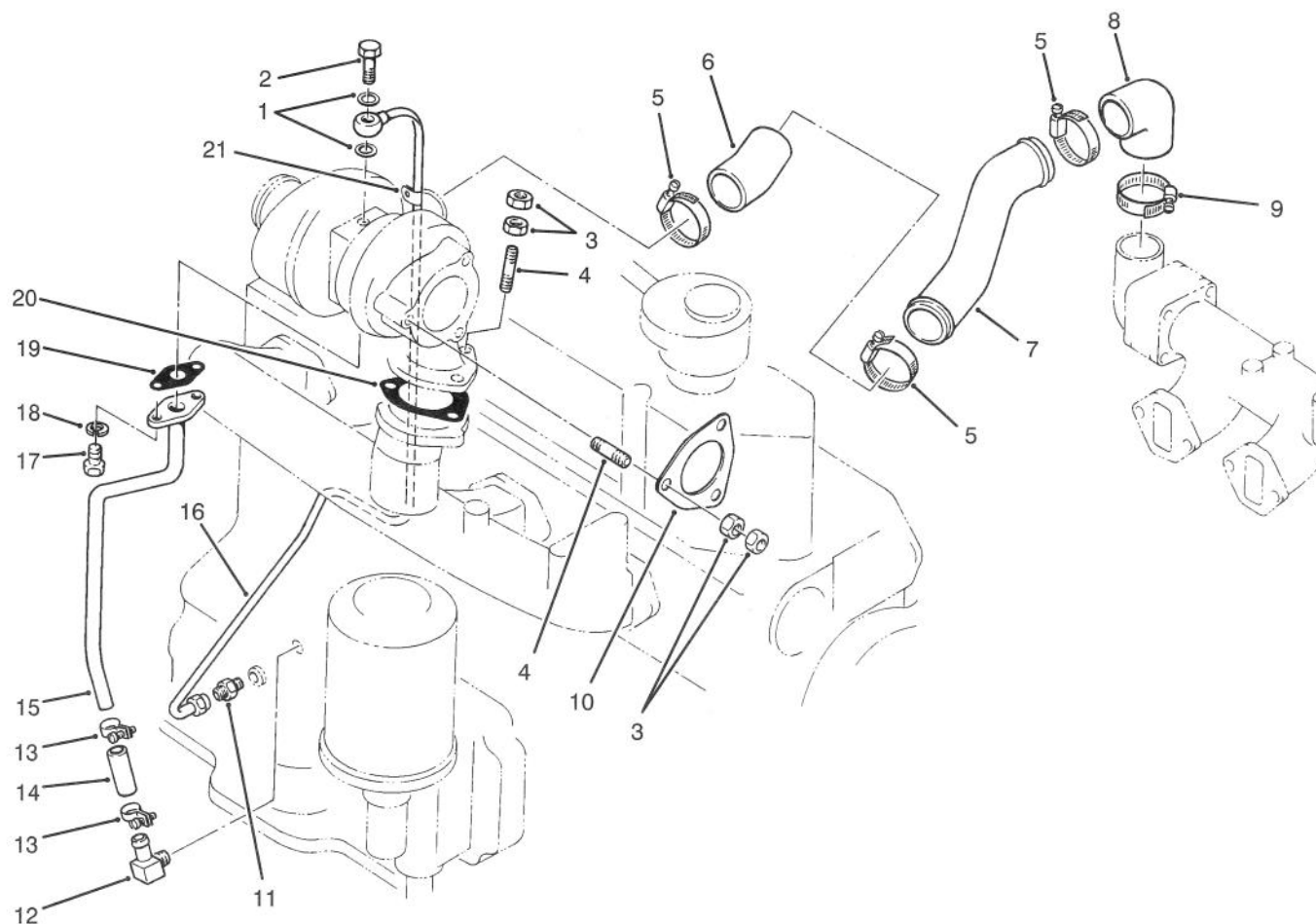


T-0591

TURBOCHARGER ASSEMBLY NO. 70-6430

Ref. No.	Part No.	Description	No. Used
1	60-7160	Rivet	2
2	70-6360	Plate	1
3	70-6340	Cover	1
4	70-6330	Nut	1
5	70-6320	Wheel	1
6	70-6300	Ring	1
7	70-6270	O-Ring	1
8	70-6290	Insert	1
9	70-6280	Deflector	1
10	70-6310	Ring	1
11	70-6410	Sleeve	1
12	70-6380	Bearing	1
13	70-6420	Ring	1
14	70-6370	Bearing	2

Ref. No.	Part No.	Description	No. Used
15	70-6390	Ring	2
16	70-6450	Housing	1
17	70-6230	Coupling Assembly	1
18	70-6400	Ring	1
19	70-6470	Shaft & Turbine Wheel Assy.	1
20	70-6350	Ring	1
21	70-6260	Plate	1
22	70-6460	Bearing Housing Assembly (Incl. Ref. #24)	1
23	70-3010	O-Ring	1
24		Pin	1
*	70-6440	Cartridge Assembly (Incl. Ref. #4-15 & 19-24)	1



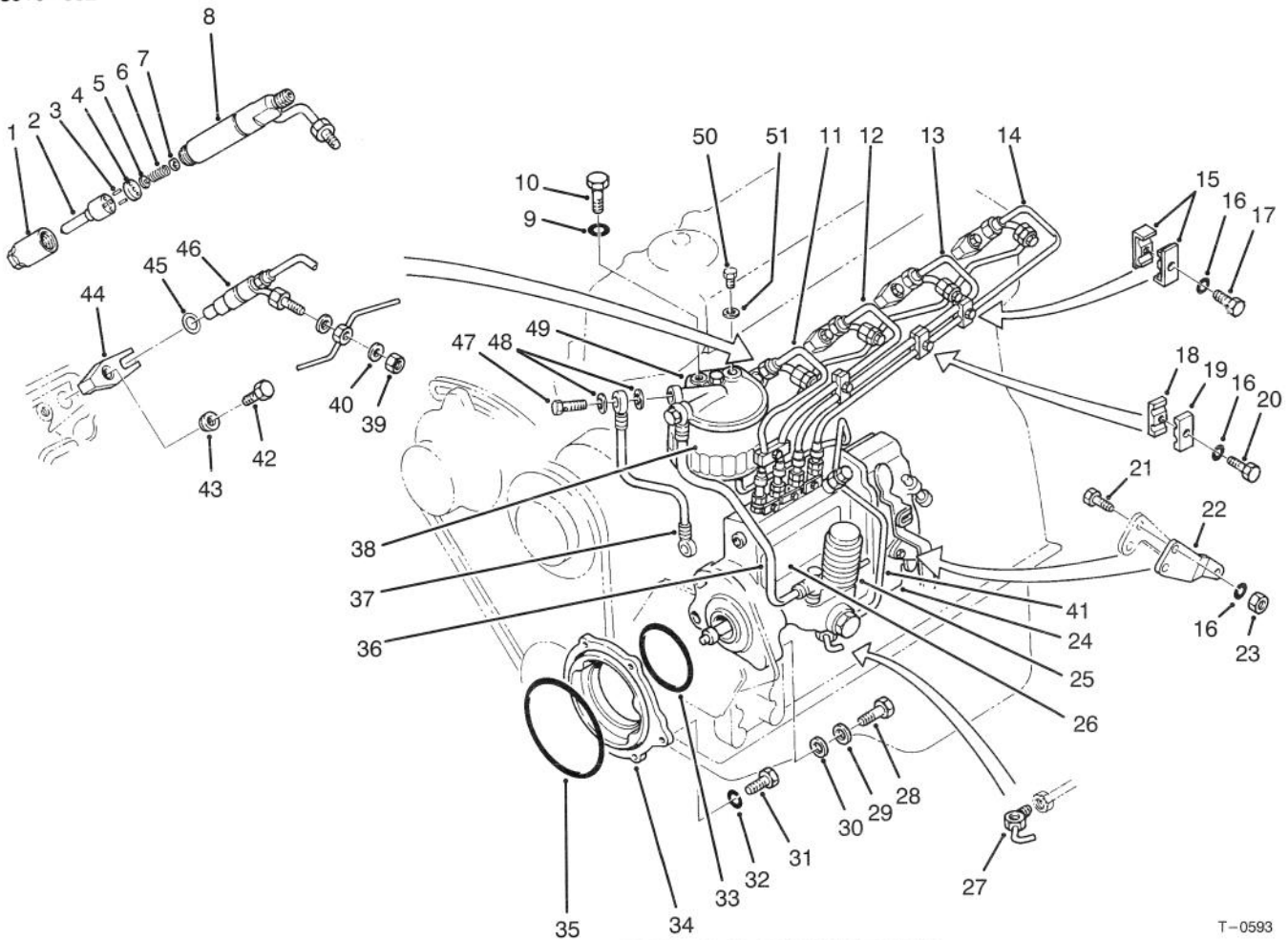
T-0592

TURBOCHARGER OIL PIPE ASSEMBLY

Ref. No.	Part No.	Description	No. Used
†1	70-3060	Gasket	2
2	70-4980	Bolt - Cap Hex Hd.	1
3	60-7120	Nut - Hex.	12
4	70-3480	Stud	6
5	70-3430	Clamp - Hose	3
6	70-6080	Hose	1
7	70-6070	Pipe	1
8	70-4950	Hose - 90° Elbow	1
9	70-3440	Clamp - Hose	1
10	70-6240	Gasket	1
11	70-3340	Connector	1

Ref. No.	Part No.	Description	No. Used
12	70-5310	Fitting - 90° Elbow	1
13	70-3090	Clamp - Hose	2
14	70-3040	Hose	1
15	70-5490	Pipe - Oil	1
16	70-5480	Pipe - Oil	1
17	70-2830	Bolt - Cap Hex. Hd.	2
18	51-7400	Washer - Lock	2
19	70-4970	Gasket	1
†20	70-6250	Gasket	1
21	70-4960	Clamp - R	1

†Included in Gasket Set No. 70-6950



T-0593

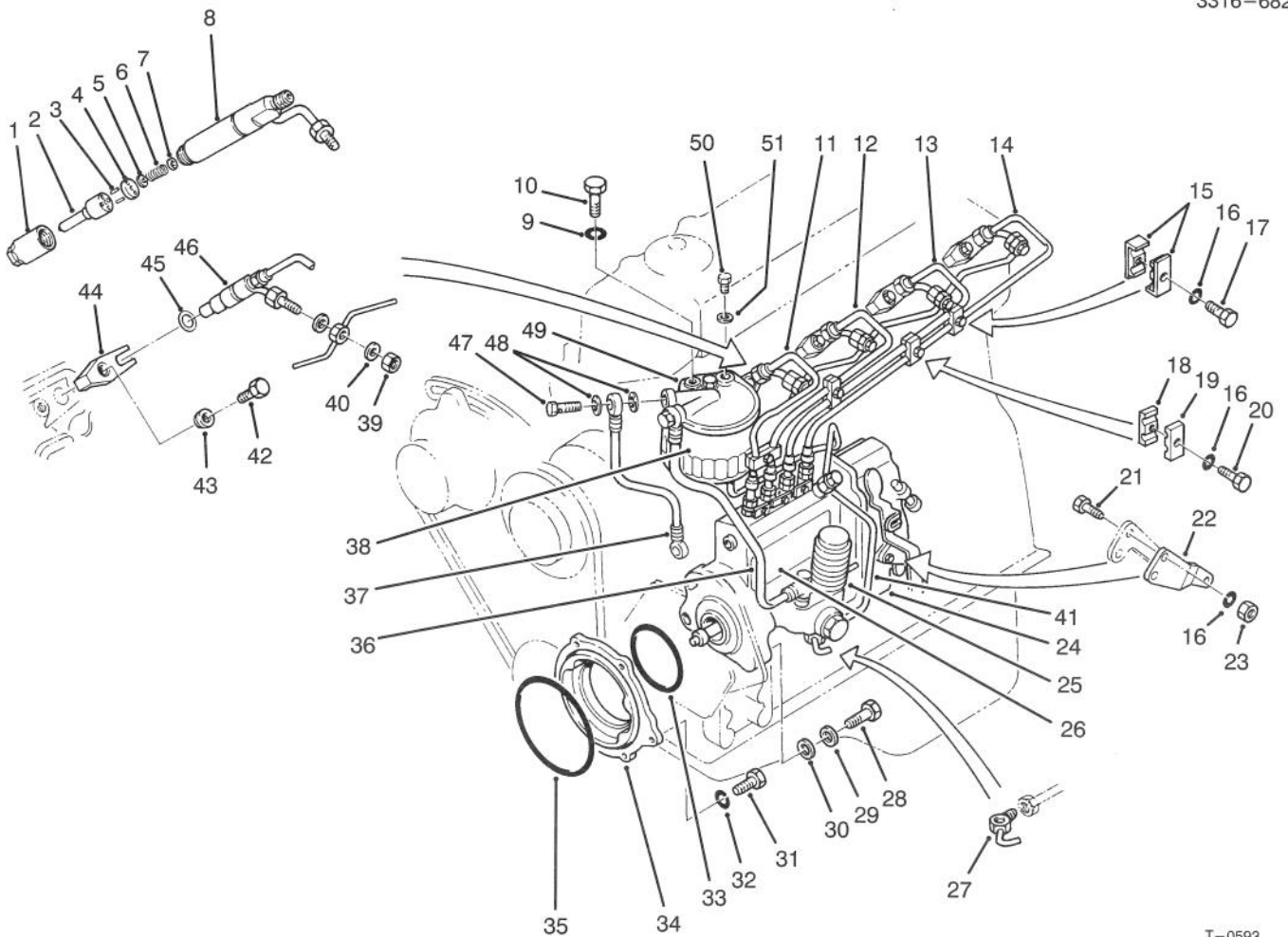
FUEL SYSTEM ASSEMBLY

Ref. No.	Part No.	Description	No. Used
1	70-4840	Nut	4
2	70-6170	Nozzle Tip Assembly	4
3	70-6830	Pin	8
4	70-4930	Packing	4
5	70-4820	Pin	4
6	70-4830	Spring	4
7	70-4860	Washer 1.00 mm	A/R
*	70-4870	Washer 1.05 mm	A/R
*	70-4880	Washer 1.10 mm	A/R
*	70-4850	Washer 2.15 mm	A/R
*	70-4890	Washer 1.275 mm	A/R
*	70-4900	Washer 1.325 mm	A/R
*	70-4910	Washer 1.775 mm	A/R
*	70-4920	Washer 0.95 mm	A/R
8	70-4810	Body Assembly	4
9	51-6390	Washer - Lock	2
10	60-7480	Bolt	2
11	70-6190	Pipe - No. 1	1
12	70-6100	Pipe - No. 2	1
13	70-6200	Pipe - No. 3	1
14	70-6110	Pipe - No. 4	1
15	60-5210	Clamp	2
16	51-7400	Washer - Lock	6
17	70-2840	Bolt	1

Ref. No.	Part No.	Description	No. Used
18	70-3180	Clamp	3
19	70-3190	Clamp	3
20	70-2830	Bolt	3
21	70-2820	Bolt	2
22	70-5770	Lever	1
23	70-2960	Nut	2
24		Governor	1
25	70-5700	Fuel Feed Pump	1
26	70-6180	Injection Pump (Incl. Ref. #24 & 25)	1
27	70-5060	Joint	1
28	51-4910	Bolt	4
29	51-6390	Washer	4
30	70-2990	Washer	4
31	60-7280	Bolt	2
32	51-7250	Washer - Lock	2
†33	70-6130	O-Ring	1
34	70-6210	Flange	1
†35	70-5070	O-Ring	1
36	70-3140	Pipe	1
37	70-3150	Pipe	1
38	70-5730	Filter Element Assembly	1
39	70-2980	Nut	4
†40	70-3460	Washer	8

*Not Illustrated

†Included in Gasket Set No. 70-6950



T-0593

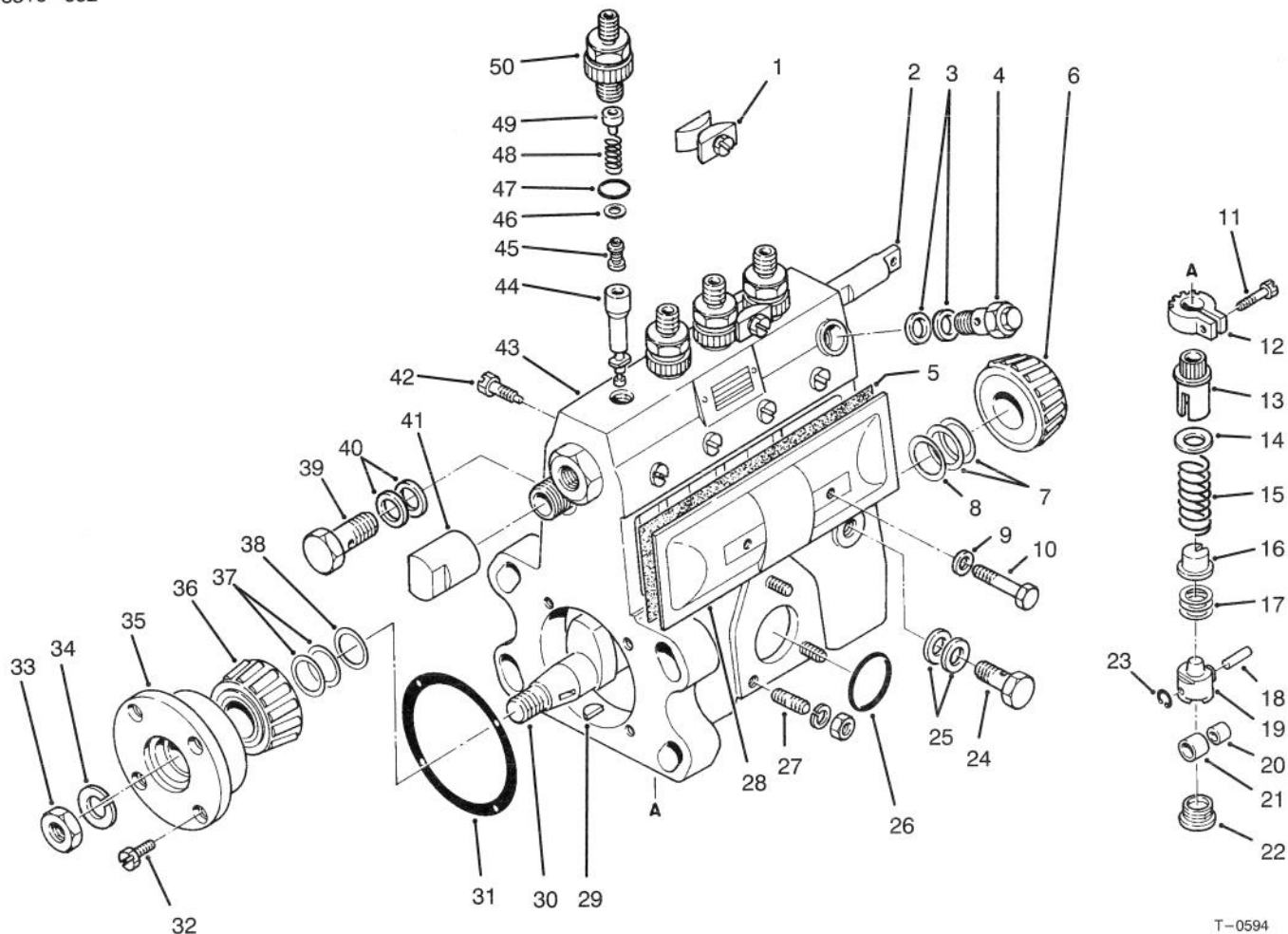
FUEL SYSTEM ASSEMBLY (Continued)

Ref. No.	Part No.	Description	No. Used
41	70-6120	Pipe	1
42	70-2850	Bolt	4
43	70-6140	Washer	4
44	70-6220	Gland	4
†45	70-6150	Gasket	4
46	70-6160	Nozzle Assembly (Incl. Ref. #1-8)	4

Ref. No.	Part No.	Description	No. Used
47	70-3250	Bolt	2
48	70-3210	Packing	4
49	70-5720	Bracket	1
50	70-3200	Washer	1
51	70-3240	Plug	1
*	70-5710	Fuel Filter Assembly (Incl. Ref. #38 & 47-51)	1

*Not Illustrated

†Included in Gasket Set No. 70-6950



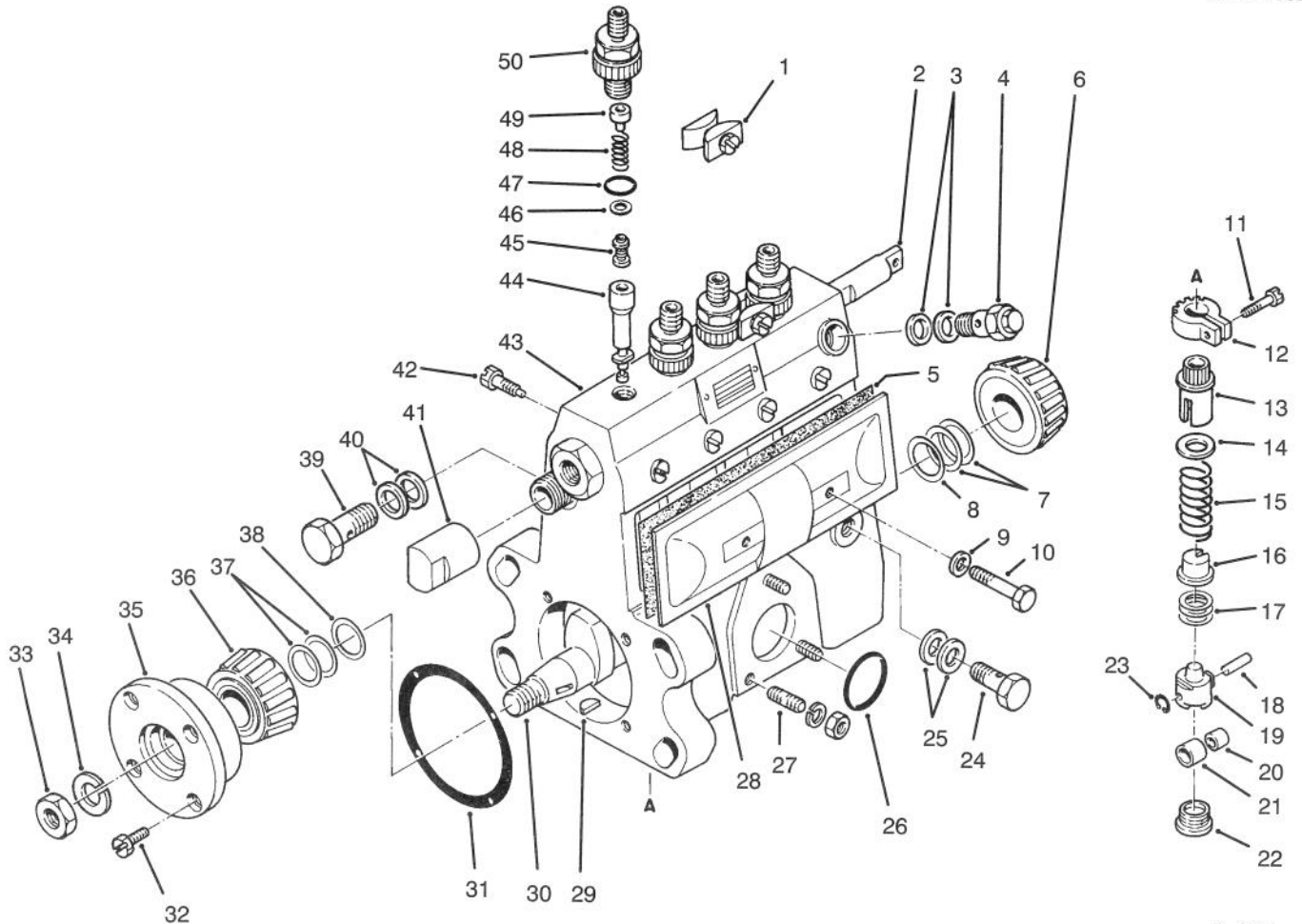
T-0594

FUEL INJECTION PUMP ASSEMBLY

Ref. No.	Part No.	Description	No. Used
1	70-3880	Plate	2
2	70-3840	Rack	1
3	70-3860	Washer	2
4	70-3960	Valve	1
5	70-3930	Gasket	1
6	70-6850	Bearing	2
7	70-3710	Plate - 0.10	A/R
*	70-3720	Plate - 0.12	A/R
*	70-3730	Plate - 0.14	A/R
*	70-3740	Plate - 0.16	A/R
*	70-3750	Plate - 0.18	A/R
*	70-3760	Plate - 0.50	A/R
*	70-3770	Plate - 0.30	A/R
8	70-3690	Ring	1
9	70-3900	Packing	2
10	70-3950	Screw	2
11	70-3570	Screw	4
12	70-3560	Pinion	4
13	70-3580	Sleeve	4
14	70-3590	Seat	4
15	70-3600	Spring	4
16	70-3610	Seat	4

Ref. No.	Part No.	Description	No. Used
17	70-3970	Plate - 0.6	A/R
*	70-3980	Plate - 0.7	A/R
*	70-3990	Plate - 0.8	A/R
*	70-4000	Plate - 0.9	A/R
*	70-4010	Plate - 1.0	A/R
*	70-4020	Plate - 1.1	A/R
*	70-4030	Plate - 1.2	A/R
*	70-4040	Plate - 1.3	A/R
*	70-4050	Plate - 1.4	A/R
*	70-4060	Plate - 0.1	A/R
*	70-4070	Plate - 0.2	A/R
*	70-4080	Plate - 0.3	A/R
*	70-4090	Plate - 0.4	A/R
*	70-4100	Plate - 0.5	A/R
*	70-4110	Plate - 0.15	A/R
18	70-3640	Pin	4
19	70-3620	Body	4
20	70-3650	Bushing	4
21	70-3660	Roller	4
22	70-3670	Plug	4
23	70-6800	E-Ring	4
24	70-6930	Screw	1

*Not Illustrated



T-0594

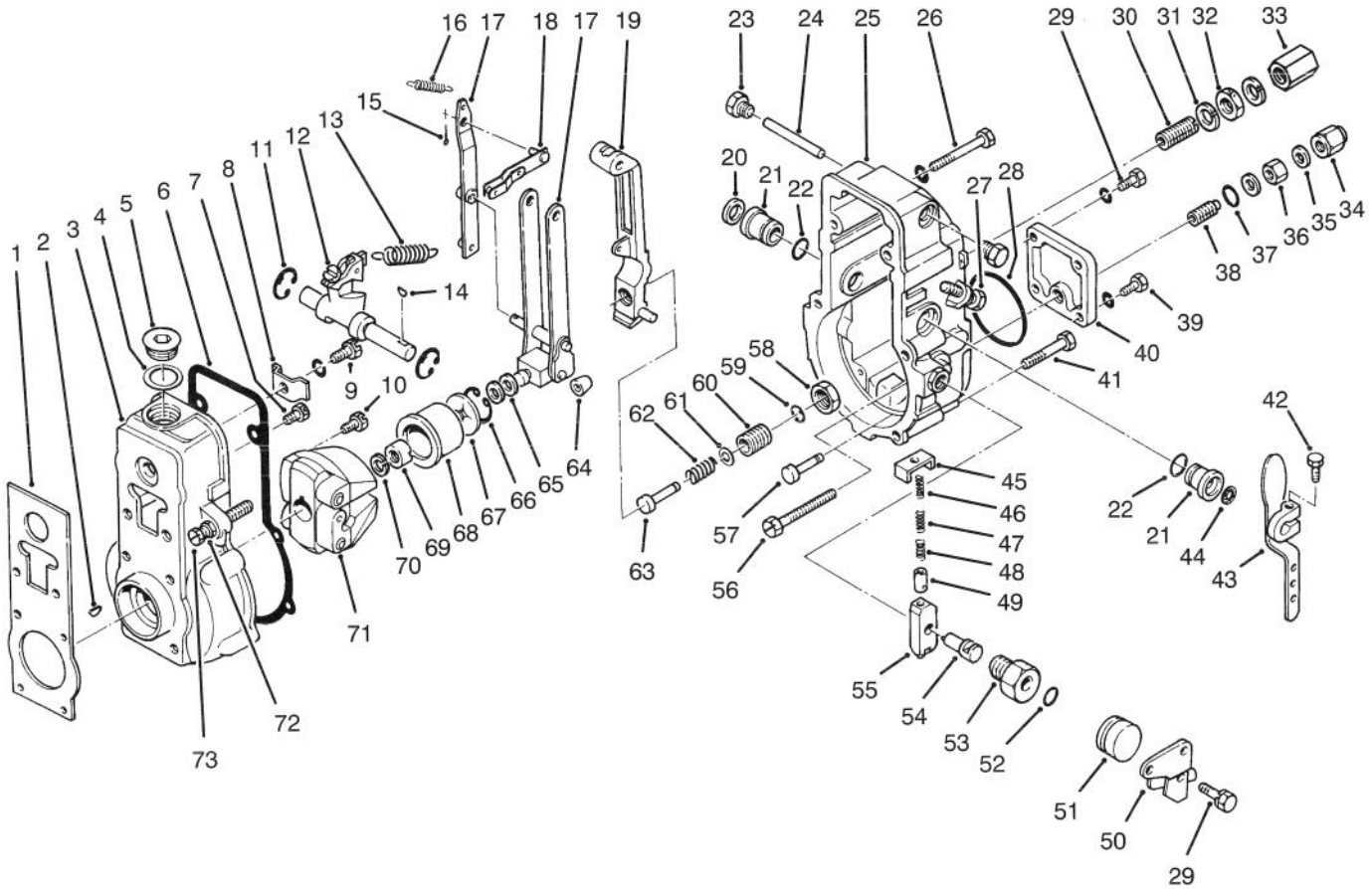
FUEL INJECTION PUMP ASSEMBLY (Continued)

Ref. No.	Part No.	Description	No. Used
25	70-3910	Washer	2
26	70-6900	O-Ring	1
27	70-6720	Stud	3
28	70-3940	Plate	2
29	70-6880	Key	1
30	70-3680	Camshaft	1
31	70-3830	Gasket	1
32	70-6540	Bolt	4
33	70-6780	Nut	1
34	70-6680	Washer	1
35	70-3820	Cover	1
36	70-6840	Bearing	1
37	70-3780	Plate - 0.1	A/R
*	70-3790	Plate - 0.15	A/R
*	70-3800	Plate - 0.3	A/R
*	70-3810	Plate - 0.5	A/R
38	70-3700	Ring	1

Ref. No.	Part No.	Description	No. Used
39	70-6940	Screw	1
†40	70-3870	Washer	2
41	70-3490	Cover	1
42	70-3850	Screw	1
43	70-4940	Housing Assembly (Incl. Ref. #27)	1
44	70-3550	Element Assembly	4
45	70-3540	Valve Assembly	4
46	70-3530	Gasket	4
47	70-6910	O-Ring	4
48	70-3520	Spring	4
49	70-3510	Stopper	4
50	70-3500	Holder	4
*	70-3920	Cover Assembly (Incl. Ref. #5, 9-10 & 28)	1
*	70-3630	Tappet Assembly (Incl. Ref. #18-21 & 23)	1

*Not Illustrated

†Included in Gasket Set No. 70-6950

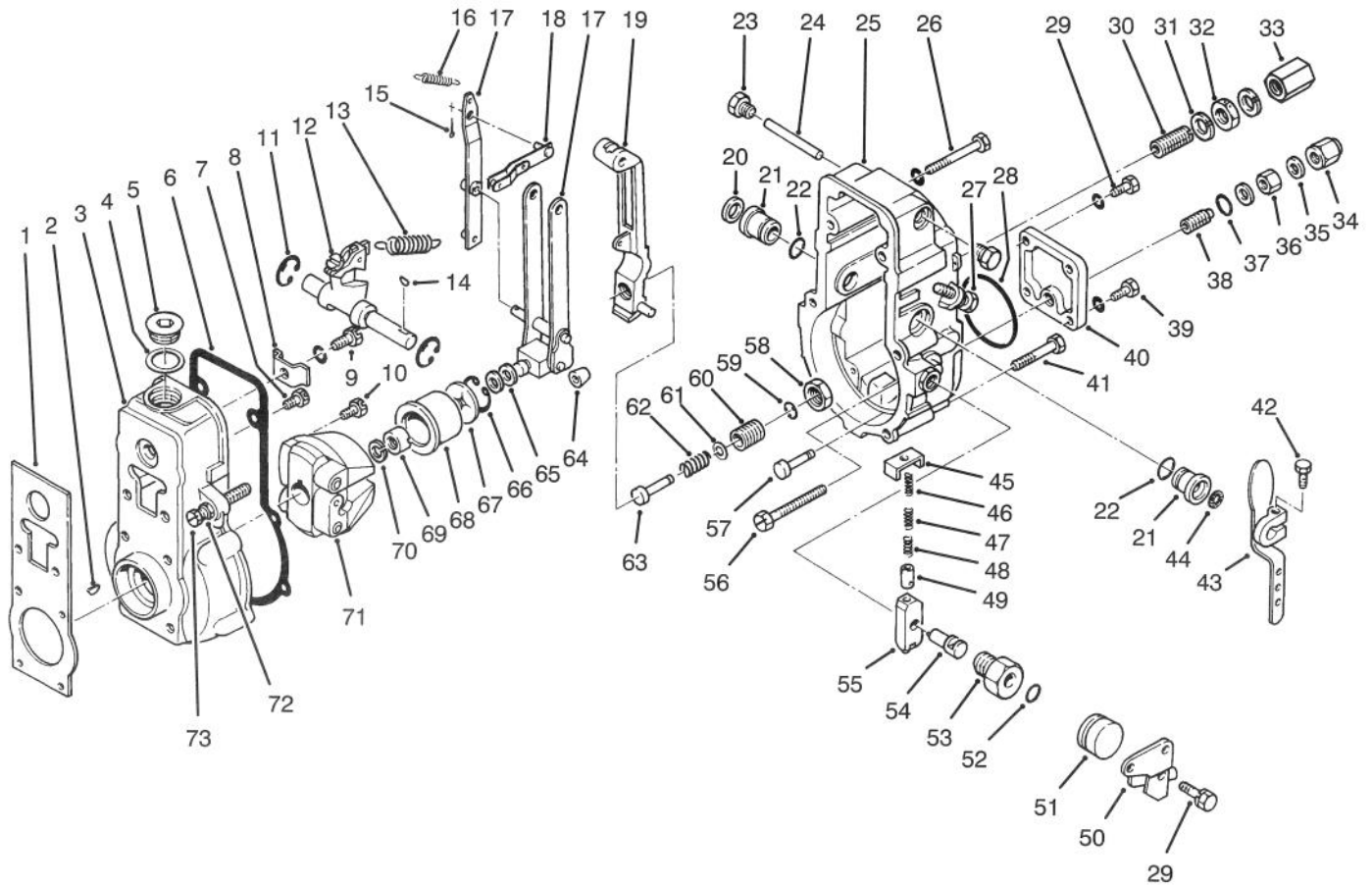


T-0595

GOVERNOR ASSEMBLY

Ref. No.	Part No.	Description	No. Used
1	70-4160	Gasket	1
2	70-6870	Key	1
3	70-4130	Housing	1
4	70-6710	Washer	1
5	70-4590	Plug	1
6	70-4150	Gasket	1
7	70-6530	Bolt	5
8	70-4210	Plate	1
9	70-6550	Bolt	1
10	70-6520	Bolt	1
11	70-6810	E-Ring	2
12	70-4220	Swiveling Lever Assembly	1
13	70-4370	Spring	1
14	70-6860	Key	1
15	70-6480	Pin	1
16	70-4380	Spring	1
17	70-4320	Lever Assembly	1
18	70-4340	Shackle Assembly	1
19	70-4250	Tension Lever Assembly	1
20	70-4580	Cap	1
21	70-4230	Bushing	2
22	70-6510	O-Ring	2
23	70-4360	Plug	2
24	70-4350	Shaft	1
25	70-4400	Cover	1
26	70-6740	Bolt	2

Ref. No.	Part No.	Description	No. Used
27	70-4140	Stopper	1
28	70-6790	Packing	1
29	70-6520	Bolt & Washer	3
30	70-4120	Capsule	1
31	70-3890	Washer	2
32	70-4310	Nut	1
33	70-4440	Nut	1
34	70-4450	Nut	1
35	70-6690	Washer	2
36	70-6770	Nut	1
37	70-6500	O-Ring	1
38	70-4330	Bushing	1
39	70-6760	Bolt & Washer	2
40	70-4550	Plate	1
41	70-6750	Bolt	4
42	70-6730	Bolt	1
43	70-4560	Adjusting Lever Assembly	1
44	70-6920	Seal	1
45	70-4460	Plate	1
46	70-4500	Spring	1
47	70-4520	Spring	1
48	70-4510	Spring	1
49	70-4490	Cup	1
50	70-4570	Stop Lever Assembly	1
51	70-4530	Cover	1
52	70-6890	O-Ring	1



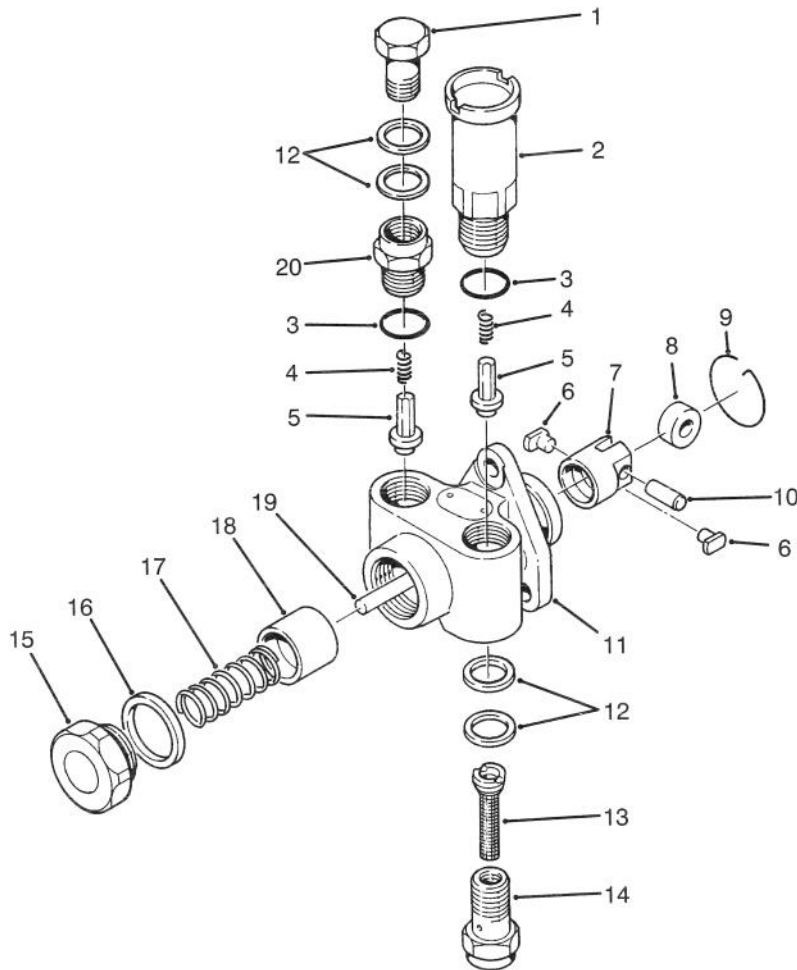
GOVERNOR ASSEMBLY (Continued)

T-0595

Ref. No.	Part No.	Description	No. Used
53	70-4420	Bushing	1
54	70-4480	Shaft	1
55	70-4470	Lever	1
56	70-4390	Screw	1
57	70-4410	Pin	1
58	70-4300	Nut	1
59	70-4240	E-Ring	1
60	70-4270	Screw	1
61	70-6570	Washer - 0.1	A/R
*	70-6600	Washer - 0.2	A/R
*	70-6580	Washer - 0.25	A/R
*	70-6590	Washer - 0.5	A/R
*	70-6660	Washer - 1.0	A/R
62	70-4280	Spring	1
63	70-4290	Adapter	1
64	70-4540	Slider	1

Ref. No.	Part No.	Description	No. Used
65	70-6610	Washer - 0.2	A/R
*	70-6620	Washer - 0.3	A/R
*	70-6630	Washer - 0.4	A/R
*	70-6640	Washer - 0.1	A/R
*	70-6650	Washer - 1.0	A/R
66	70-6490	Ring	1
67	70-4200	Plate	1
68	70-4190	Sleeve	1
69	70-4180	Nut	1
70	70-6670	Washer	1
71	70-4170	Flyweight Assembly	1
72	70-6560	Nut	2
73	70-4430	Screw	1
*	70-4260	Adapter Assembly (Incl. Ref. #59-63)	1

*Not Illustrated



T-0596

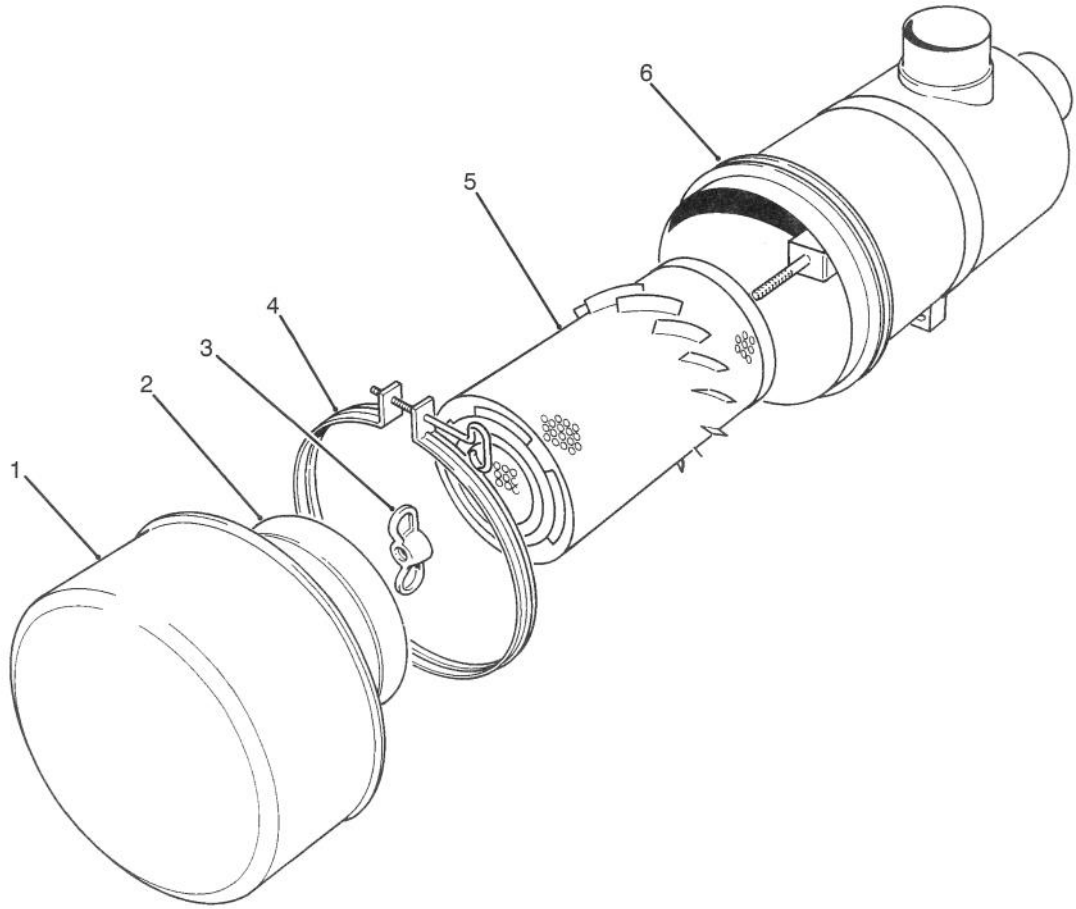
FUEL FEED PUMP ASSEMBLY NO. 70-5700

Ref. No.	Part No.	Description	No. Used
1	70-6940	Screw	1
2	70-4650	Pump Assembly	1
3	70-4630	Gasket	2
4	70-4620	Spring	2
5	70-4610	Valve	2
6	70-4760	Block	2
7	70-4730	Tappet	1
8	70-4740	Roller	1
9	70-6820	Ring	1
10	70-4750	Pin	1
11	70-4600	Housing Assembly	1
†12	70-3870	Washer	4
13	70-4790	Filter	1

Ref. No.	Part No.	Description	No. Used
14	70-4800	Screw	1
15	70-4780	Plug	1
16	70-6700	Washer	1
17	70-4770	Spring	1
18	70-4720	Piston	1
19	70-4660	Rod, Blue Small Dia.	A/R
*	70-4670	Rod, Red Small Dia.	A/R
*	70-4680	Rod, Yellow Small Dia.	A/R
*	70-4690	Rod, Green Small Dia.	A/R
*	70-4700	Rod, White Small Dia.	A/R
*	70-4710	Rod, Brown Big Dia.	A/R
20	70-4640	Support	1

*Not Illustrated

†Included in Gasket Set No. 70-6950



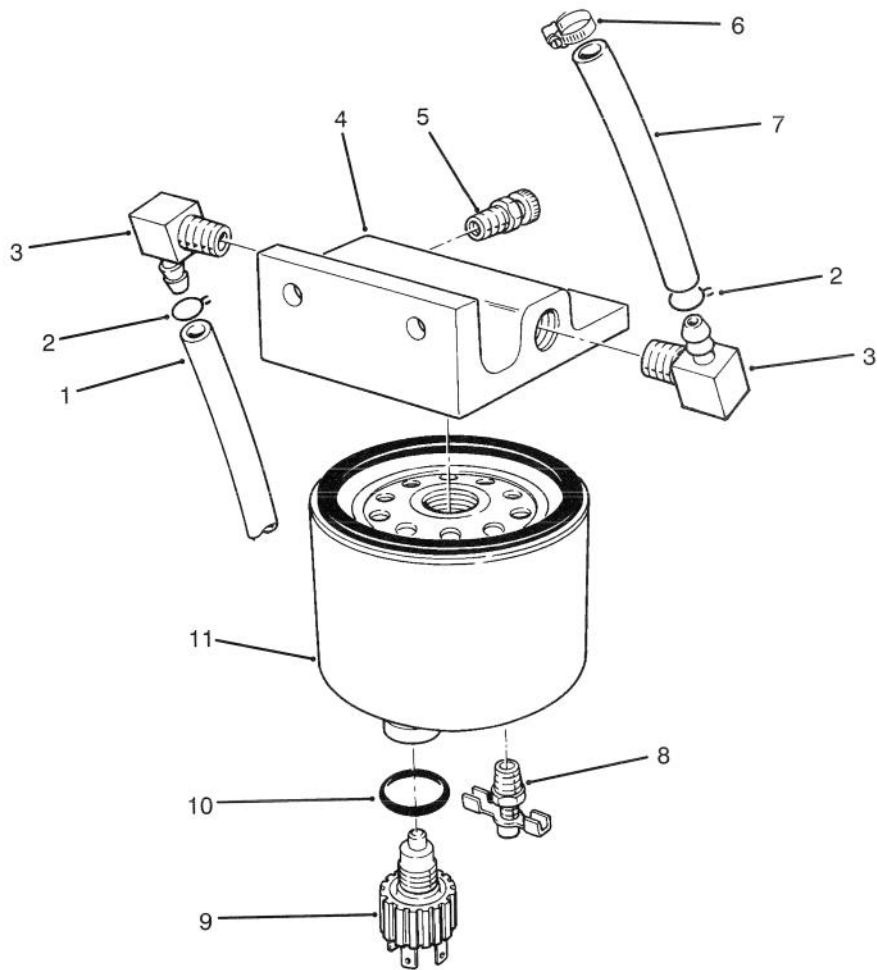
T-0387

AIR CLEANER ASSEMBLY NO. 69-1890

Ref. No.	Part No.	Description	No. Used
1	69-1930	Cup Assembly	1
2	69-1920	Baffle	1
3	27-7120	Nut	1
4	69-1910	Clamp Assembly	1

Ref. No.	Part No.	Description	No. Used
5	69-1900	Element Assembly	1
†6		Housing	1
*	27-7220	Detergent - Element	1

*Not Illustrated
 †Not Serviceable



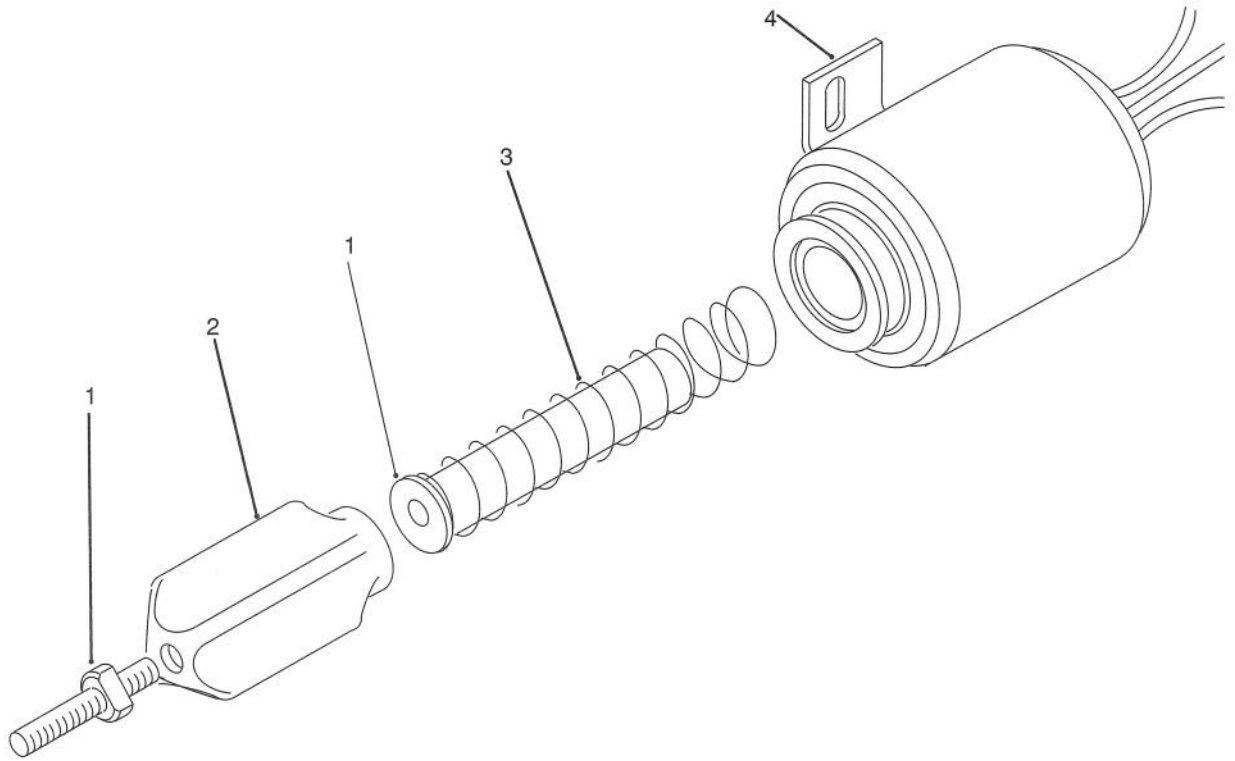
T-0376

FUEL FILTER ASSEMBLY

Ref. No.	Part No.	Description	No. Used
1	37-9560	Hose - Fuel	1
2	2412-6	Clamp - Hose	2
3	353-781	Fitting - Fuel Elbow	2
4	63-8280	Head - Fuel Filter (Incl. Ref. #5)	1
5	63-8290	Vent - Air	1
6	2412-108	Clamp - Hose	1
7	71-2690	Hose - Fuel	1

Ref. No.	Part No.	Description	No. Used
8	63-8310	Valve - Drain	1
9	69-1760	Sensor - Water	1
10	237-154	Seal - O-Ring	1
11	69-1770	Element - Spin-On (Incl. Ref. #6)	1
*	69-1750	Fuel Filter Assembly (Incl. Ref. #4, 5 & 8-11)	1

*Not Illustrated



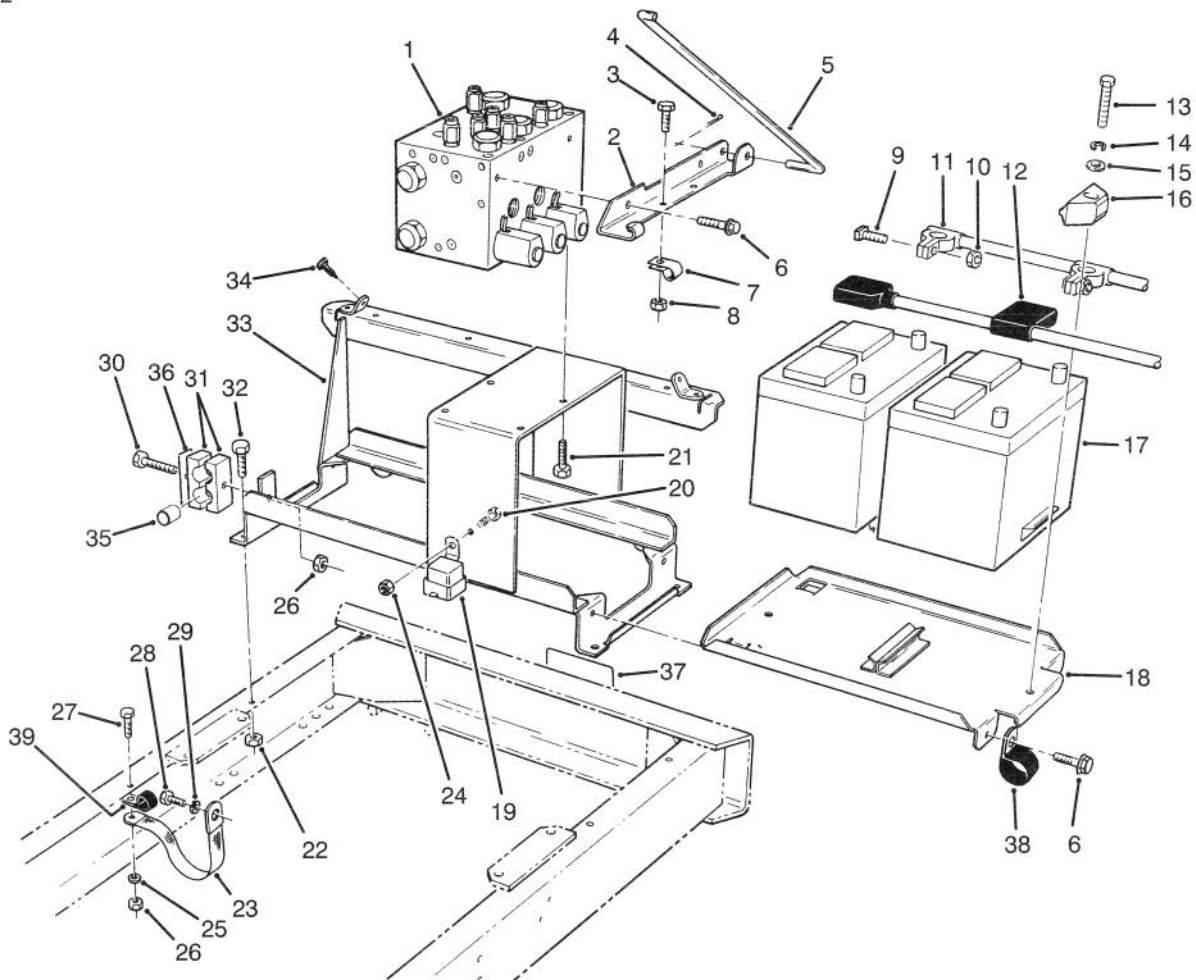
SOLENOID VALVE NO. 85-6230

T-1758

Ref. No.	Part No.	Description	No. Used
1	85-6300	Assembly - Plunger	1
2	85-6290	Boot - Rubber	1
3	85-6280	Spring - Return	1

Ref. No.	Part No.	Description	No. Used
4	85-6230	Body - Solenoid	1
*		Assembly - Solenoid Valve (Incl. Ref. #1-4)	1

*Not Illustrated



T-0346A

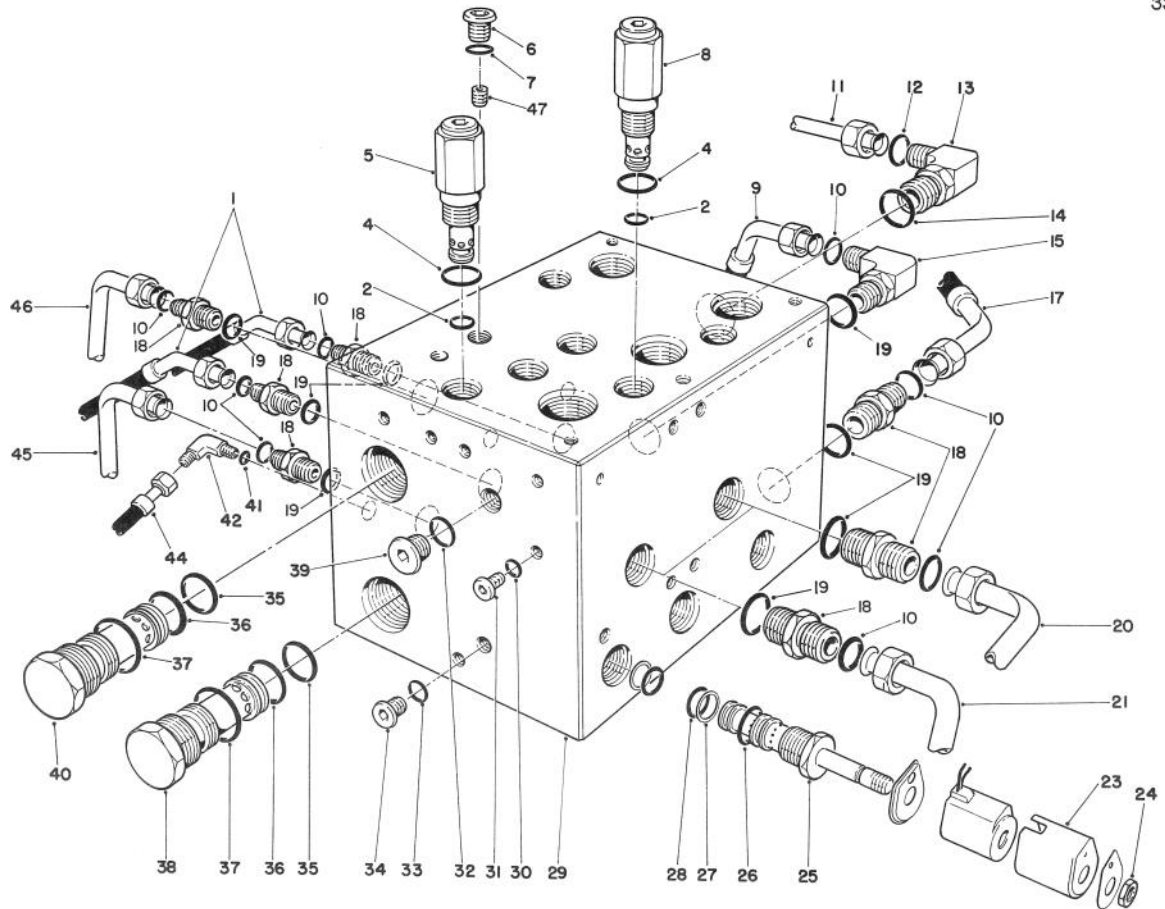
BATTERY FRAME ASSEMBLY

Ref. No.	Part No.	Description	No. Used
1	69-4150	PTO Manifold Assembly	1
2	69-9350	Bracket - Hood Prop Rod	1
3	321-3	Screw - Cap Hex. Hd.	3
4	3272-6	Pin - Cotter	1
5	69-9120	Rod - Hood Prop	1
6	3234-17	Screw - Hex. Flange Hd.	4
7	2412-73	Clamp - R	3
8	32149-2	Nut - Keps	3
†9		Bolt - Clamp	4
†10		Nut - Clamp	4
11	80-0130	Cable - Negative	1
12	92-4997	Cable - Positive	1
13	323-8	Screw - Cap Hex. Hd.	2
14	3253-21	Washer - Lock	2
15	3256-24	Washer - Flat	2
16	66-2490	Hold-Down - Battery	2
‡17		Battery (Type 24, LTV)	2
18	80-0160	Tray - Battery	1
19	63-7590	Relay	1
20	3290-321	Screw - Cap Hex. Hd.	1

Ref. No.	Part No.	Description	No. Used
21	323-4	Screw - Cap Hex. Hd.	4
22	32152-2	Nut - Lock	4
23	18-2770	Strap - Ground	1
24	3296-2	Nut - Flange Lock	1
25	3254-2	Washer - Lock	1
26	32152-1	Nut - Lock	2
27	322-5	Screw - Cap Hex Hd.	1
28	69-0060	Screw - Cap Hex. Hd.	1
29	48-8070	Washer - Lock	1
30	322-11	Screw - Cap Hex. Hd.	1
31	56-7974	Clamp - Hydraulic Lines	2
32	323-6	Screw - Cap Hex. Hd.	4
33	69-8290	Frame - Battery	1
34	237-37	Bumper - Rubber	4
35	23-7250	Spacer	1
36	69-9761	Plate - Clamp	1
37	72-4080	Decal - Danger	1
38	2412-41	Clamp	2
39	2412-39	Clamp	1

†Not serviceable separately.

‡Obtain Locally



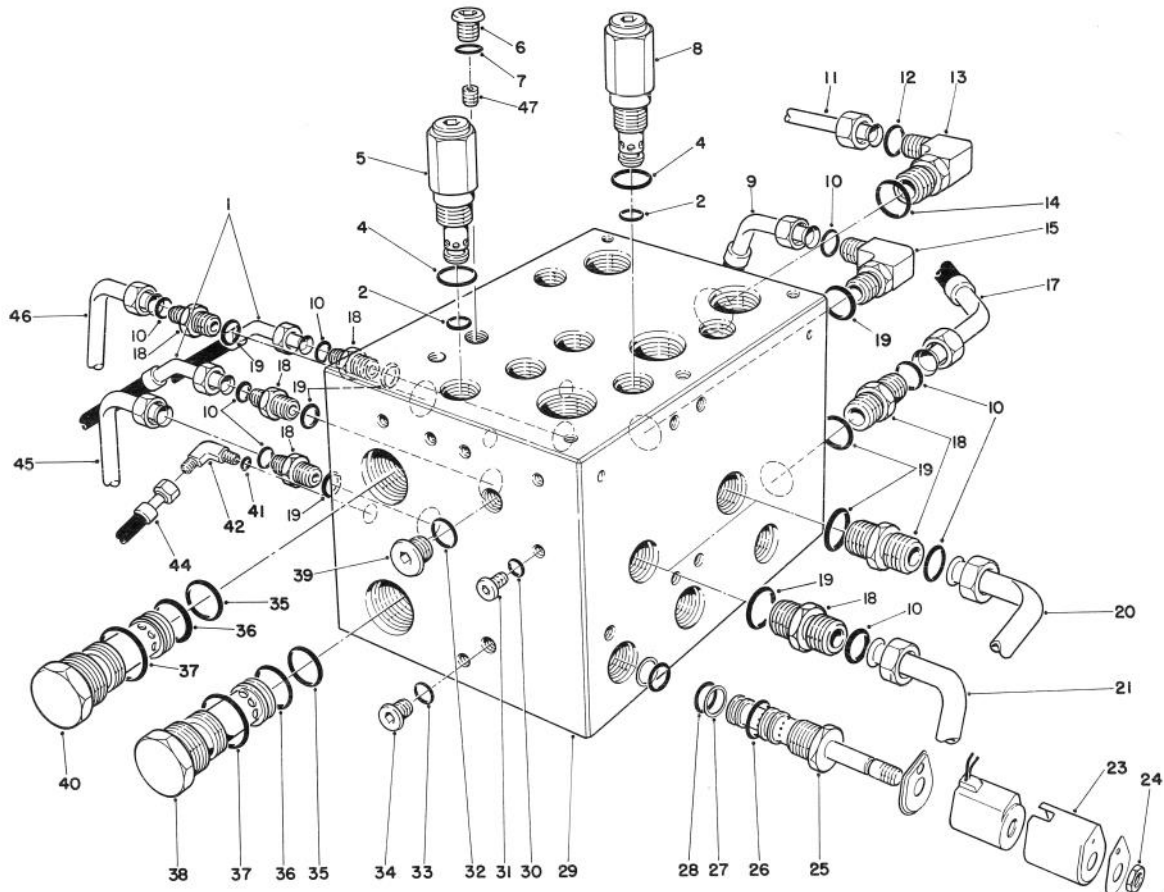
T-0364B

PTO MANIFOLD ASSEMBLY

Ref. No.	Part No.	Description	No. Used
1	69-5590	Hose - Hydraulic	2
†2		Seal - O-Ring	6
†4		Seal - O-Ring	6
5	69-4170	Valve - Cartridge (600 lbs) (Incl. Ref. #2-4)	3
6	353-989	Plug (Incl. Ref. #7)	1
7	237-42	Seal - O-Ring	1
8	69-4180	Valve - Cartridge (3000 lbs) (Incl. Ref. #2-4)	3
9	69-5600	Hose - Hydraulic	1
10	237-58	Seal - O-Ring	8
11	69-6160	Tube - Hydraulic	1
12	340-65	Seal - O-Ring	2
13	340-129	Fitting - Hydraulic Elbow (Incl. Ref. #12 & 14)	1
14	237-146	Seal - O-Ring	1
15	340-142	Fitting - Hydraulic Elbow (Incl. Ref. #10 & 16)	1
17	69-5610	Hose - Hydraulic	1
18	340-9	Fitting - Hydraulic Straight (Incl. Ref. #10 & 19)	7
19	237-81	Seal - O-Ring	8
20	69-6180	Tube - Hydraulic	1
21	69-6170	Tube - Hydraulic	1
23	88-9190	Solenoid Coil Assembly	3
24	3219-10	Nut - Jam	3

Ref. No.	Part No.	Description	No. Used
25	92-3071	Spool - Solenoid Valve (Incl. Ref. # 24, 26-28)	3
†26		Seal - O-Ring	3
†27		Seal - Washer	6
†28		Seal - O-Ring	6
†29		Manifold - PTO	1
30	237-156	Seal - O-Ring	30
31	353-991	Plug (Incl. Ref. #30)	30
32	237-79	Seal - O-Ring	4
33	237-78	Seal - O-Ring	1
34	353-990	Plug (Incl. Ref. #33)	1
†35		Seal - O-Ring	6
†36		Seal - O-Ring	6
†37		Seal - O-Ring	6
38	69-4200	Valve - Cartridge (75 lbs) (Incl. Ref. #35-37)	3
39	353-988	Plug (Incl. Ref. #32)	4
40	69-4190	Valve - Cartridge (20 lbs) (Incl. Ref. #35-37)	3
41	237-78	Seal - O-Ring	2
42	353-431	Fitting - Hydraulic 45° (Incl. Ref. #41 & 43)	2
44	69-5662	Hose - Diagnostic	2
45	69-6140	Tube - Hydraulic	1
46	69-6150	Tube - Hydraulic	1

†Not serviceable separately.

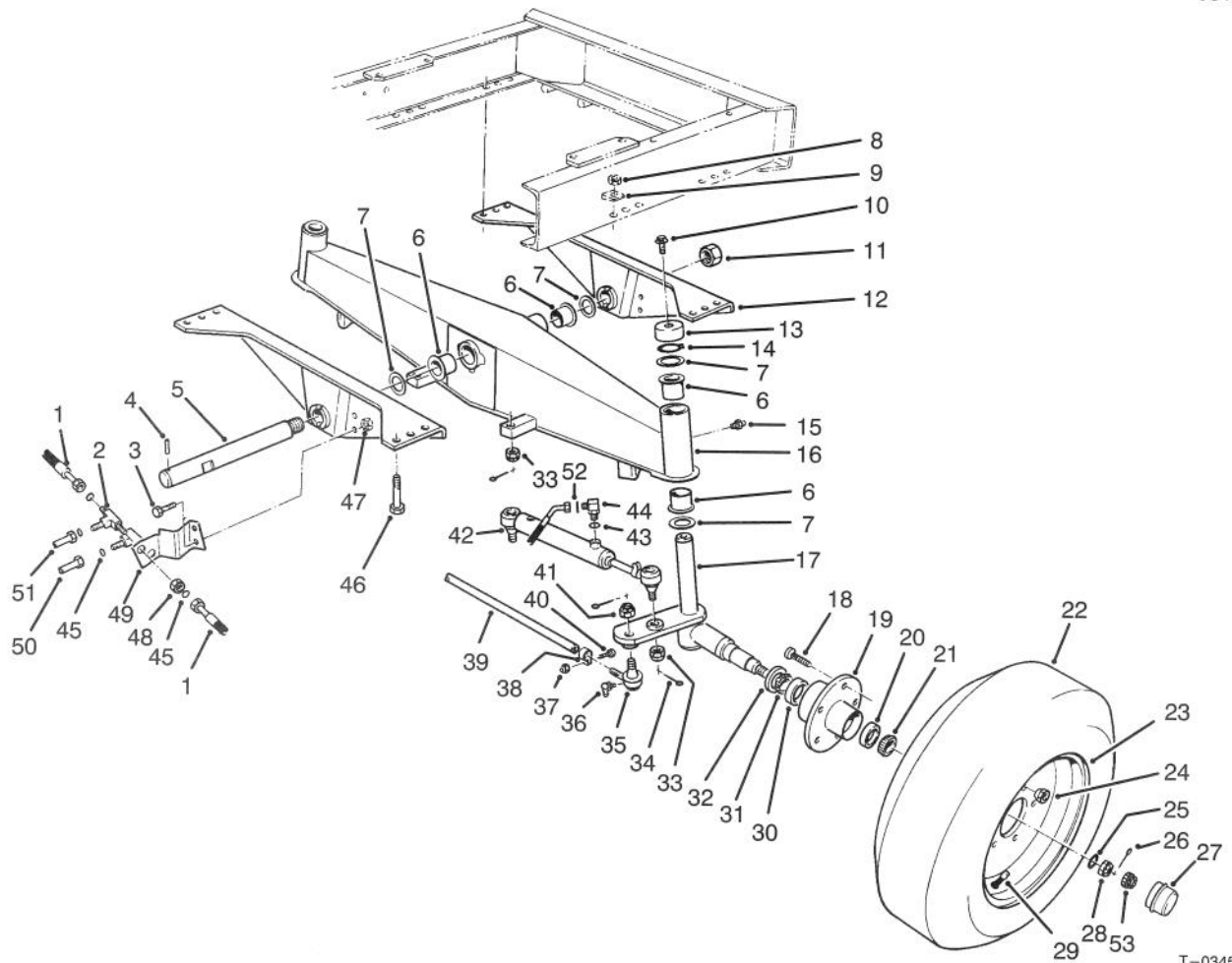


T-0364A

PTO MANIFOLD ASSEMBLY (Continued)

Ref. No.	Part No.	Description	No. Used	Ref. No.	Part No.	Description	No. Used
47	69-4220	Plug - Orifice	1	*	69-4260	Solenoid Valve Seal Kit (Incl. Ref. #26-28)	3
*	69-4230	Cartridge Valve Seal Kit (Incl. Ref. #2 & 4)	6	*	69-4150	PTO Manifold Assembly (Incl. Ref. #2, 4-8, 22-40 & 47)	1
*	69-4270	Cartridge Valve Seal Kit (Incl. Ref. #35-37)	6				

*Not Illustrated



T-0345

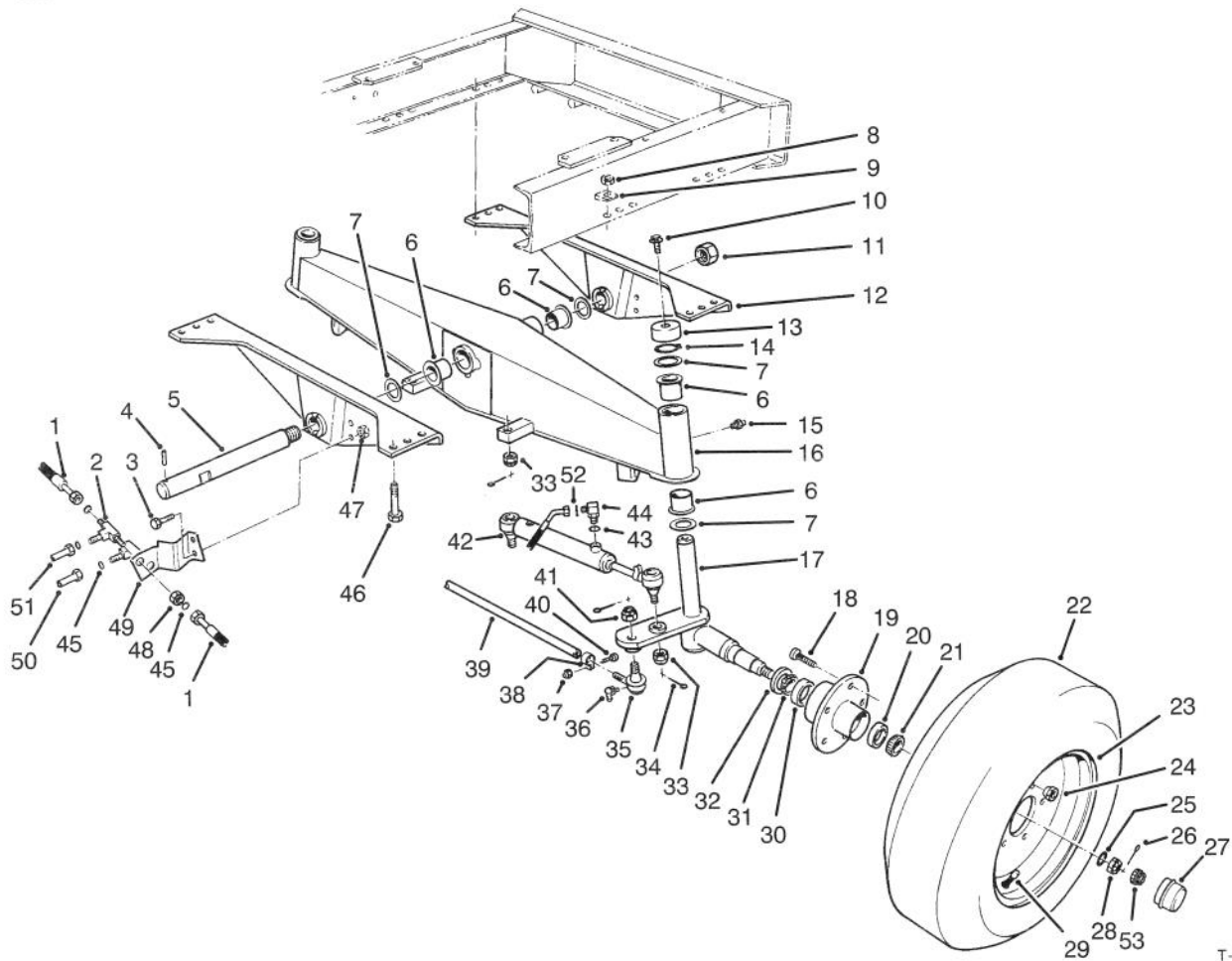
REAR AXLE ASSEMBLY

Ref. No.	Part No.	Description	No. Used
1	69-5510	Hose - Hydraulic	4
2	340-68	Fitting - Hydraulic Bulkhead Tee (Incl. Ref. #45)	2
3	323-6	Screw - Cap Hex. Hd.	2
4	32121-110	Pin - Roll	1
5	71-2590	Shaft - Pivot	1
6	69-6470	Bushing - Flange	6
7	256-304	Washer - Thrust	6
8	32128-23	Nut - Lock	12
9	3290-216	Washer - Bevel	12
10	3234-12	Screw - Hex. Flange Hd.	2
11	3296-68	Nut - Lock	1
12	69-7960	Support - Axle	2
13	69-8890	Cap - Spindle	2
14	32151-10	Ring - Retaining	2
15	302-5	Fitting - Grease	3
16	69-7420	Axle - Rear (Incl. Ref. #6 & 15)	1
17	93-0311	Spindle - Wheel L.H.	1
*	93-0310	Spindle - Wheel R.H.	1
18	69-2990	Screw - Drive	10
19	69-2960	Hub - Rear Wheel (Incl. Ref. #18, 20 & 30)	2
20	254-72	Cup - Bearing Outer	2
21	254-92	Cone - Bearing Outer	2
22	69-9880	Tire	2
23	217-116	Rim	2

Ref. No.	Part No.	Description	No. Used
24	23-7270	Nut - Lug	10
25	93-0309	Washer	2
26	3272-13	Pin - Cotter	2
27	69-2970	Cap - Hub	2
28	3220-7	Nut - Jam	2
29	232-27	Stem - Valve	2
30	254-107	Cup - Bearing Inner	2
31	254-106	Cone - Bearing Inner	2
32	69-2980	Seal - Inner	2
33	32136-13	Nut - Castle	4
34	3272-12	Pin - Cotter	6
35	2116-4	Joint - Ball R.H.	1
*	2116-3	Joint - Ball L.H.	1
36	302-33	Fitting - Grease	2
†37		Nut - Lock	2
38	2412-7	Clamp Assembly (Incl. Ref. #37 & 40)	2
39	3-3710	Tie Rod Assembly (Incl. Ref. #35-41)	1
†40		Screw - Cap Hex. Hd.	2
41	32136-2	Nut - Castle	2
42	69-1960	Hydraulic Cylinder Assembly	2
43	237-78	Seal - O-Ring	4
44	340-132	Fitting - Hydraulic Elbow (Incl. Ref. #43 & 52)	4
45	237-22	Seal - O-Ring	6
46	325-6	Screw - Cap Hex. Hd.	12

*Not Illustrated

†Not serviceable separately.

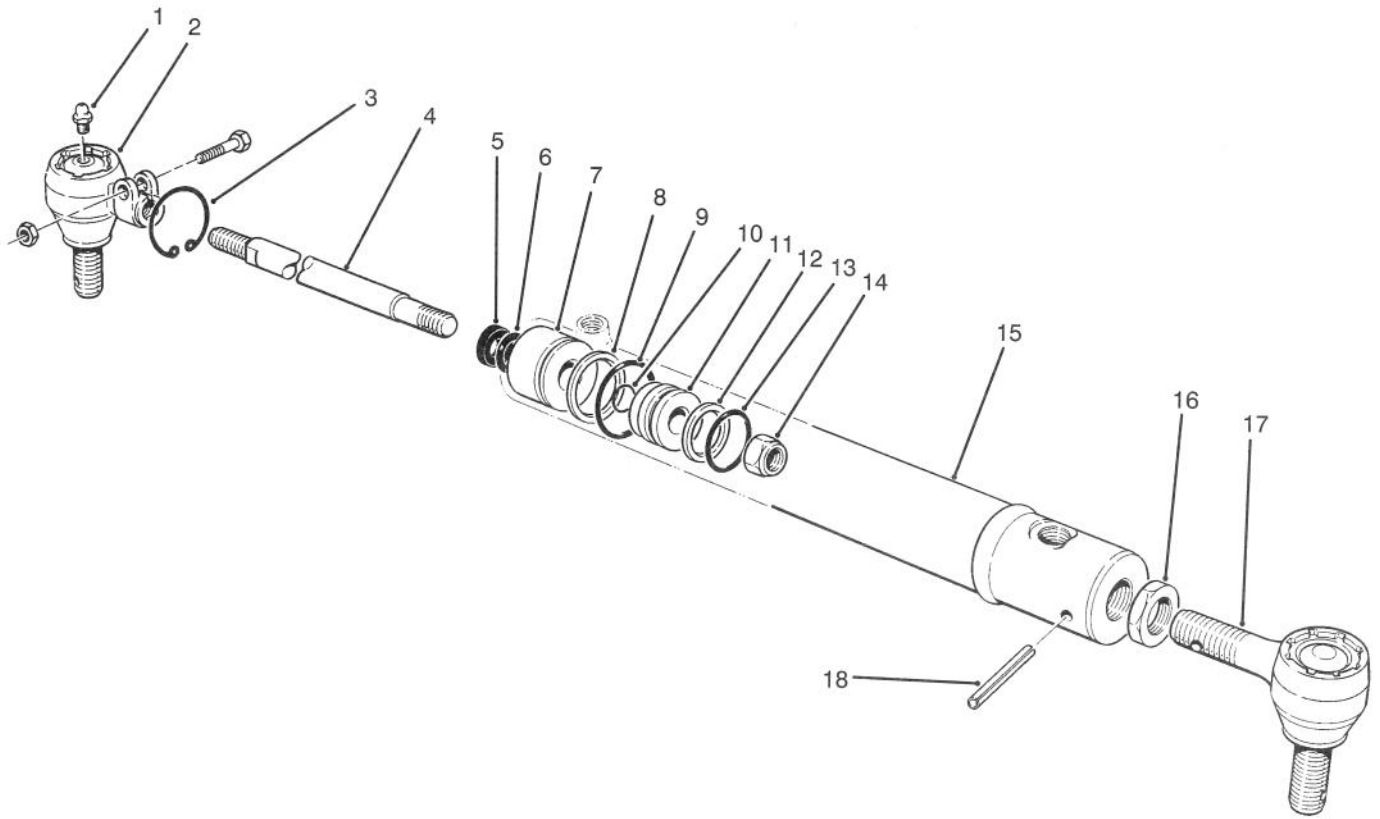


T-0345

REAR AXLE ASSEMBLY (Continued)

Ref. No.	Part No.	Description	No. Used
47	32152-2	Nut - Lock	2
48	340-70	Nut - Bulkhead	2
49	69-9400	Bracket - Hose Support	1
50	69-6010	Tube - Hydraulic	1

Ref. No.	Part No.	Description	No. Used
51	69-6020	Tube - Hydraulic	1
52	237-21	Seal - O-Ring	4
53	93-0307	Nut - Retainer	2



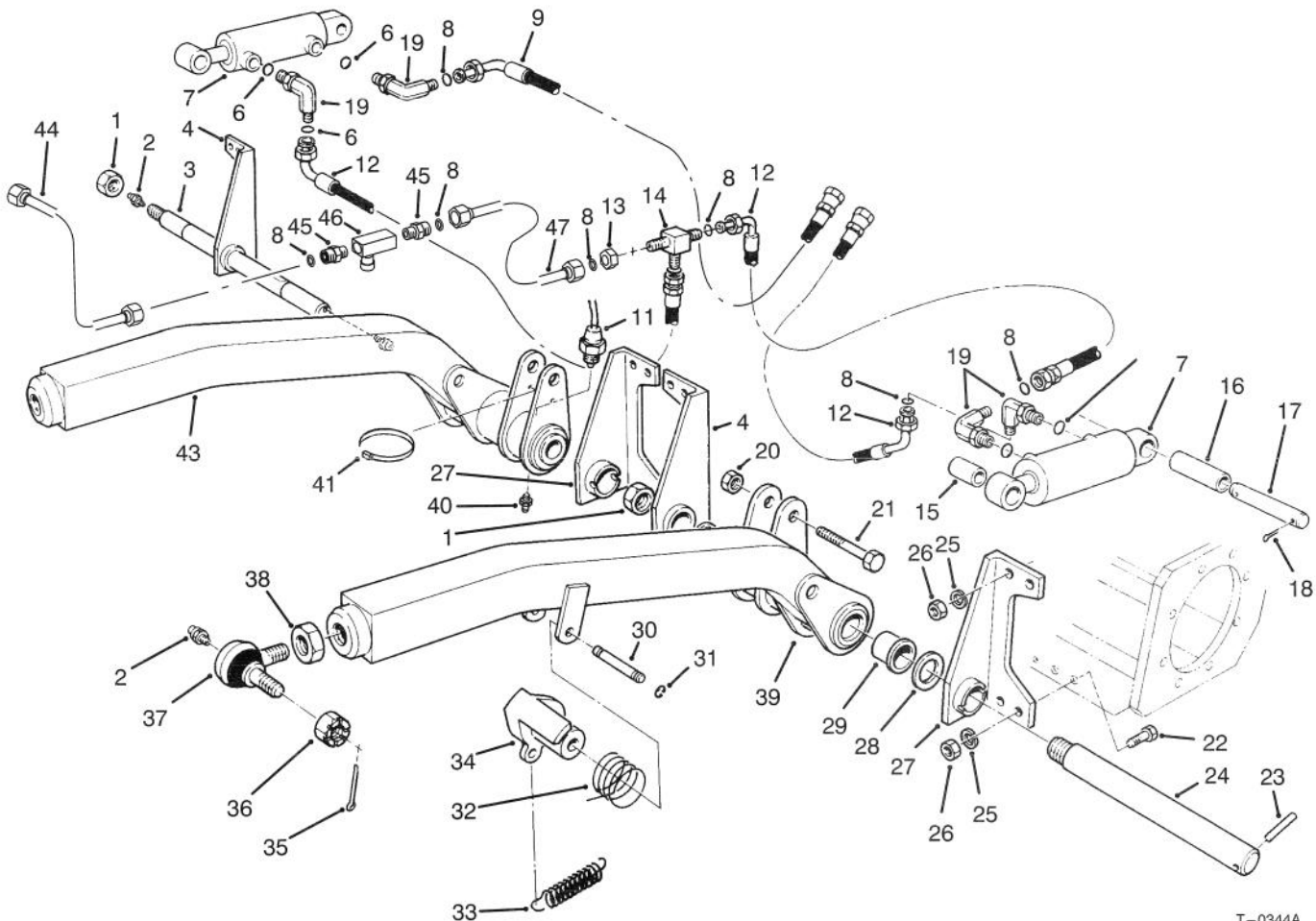
T-0378

HYDRAULIC CYLINDER ASSEMBLY NO. 69-1960

Ref. No.	Part No.	Description	No. Used
1	302-5	Fitting - Grease	1
2	69-9810	Joint - Ball	1
3		Ring - Retaining	1
4	69-2020	Rod - Piston	1
5		Wiper - Rod	1
6		Seal - U-Cup	1
7	69-2030	Ring - Head	1
8		Ring - Back-Up	1
9		Seal - O-Ring	1
10		Seal - O-Ring	1
11	69-2000	Piston	1

Ref. No.	Part No.	Description	No. Used
12		Ring - Piston	1
13		Seal - O-Ring	1
14	69-1990	Nut - Lock	1
15		Barrel - Cylinder	1
16	69-1980	Nut - Jam	1
17	69-1970	Joint - Ball	1
18	32121-34	Pin - Roll	1
*	92-1792	Repair Kit (Incl. Ref. #3, 5, 6, 8-10 & 12-13)	1
*	69-1960	Steering Cylinder (Complete) (Incl. Ref. #3-18)	2

*Not Illustrated

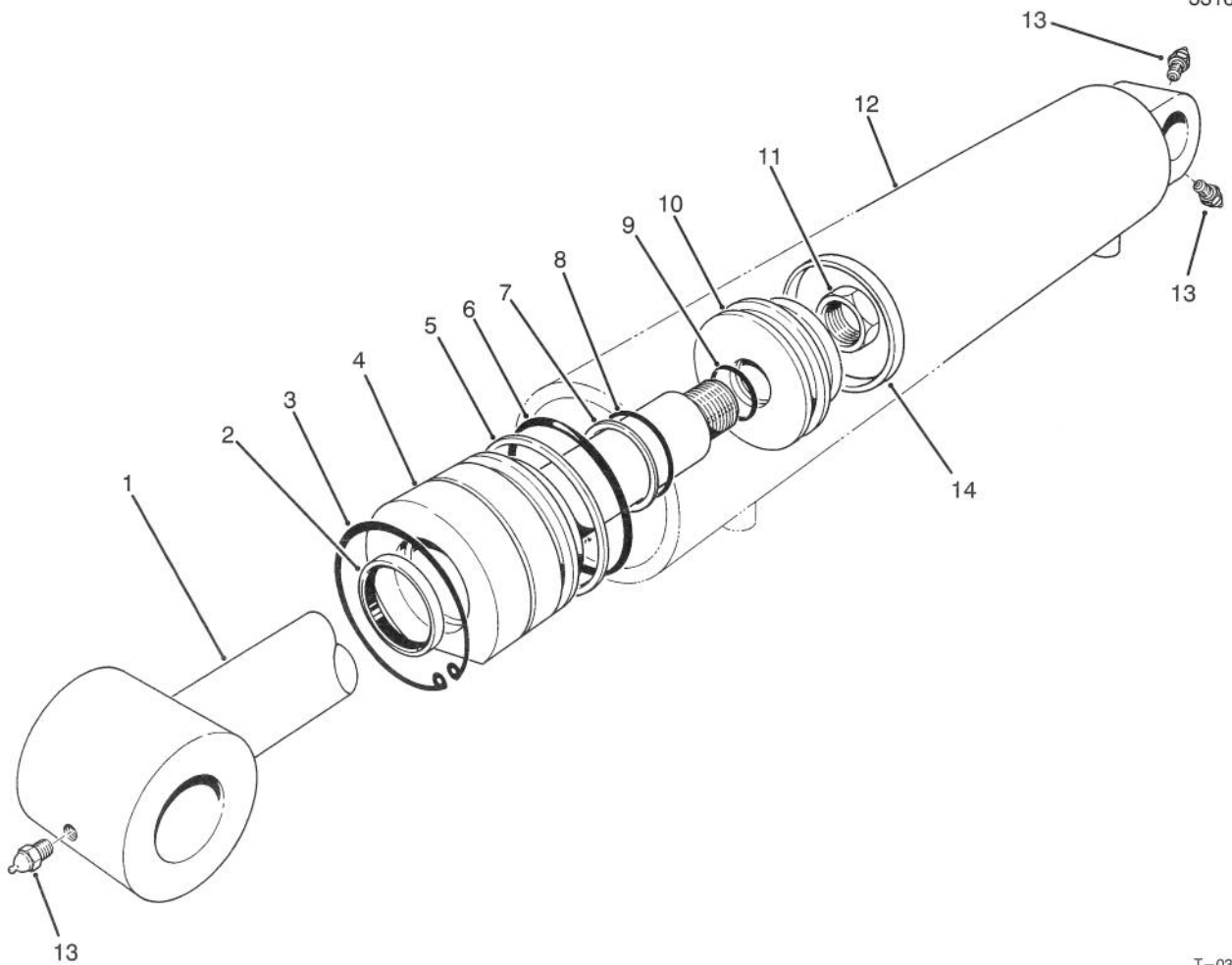


T-0344A

FRONT LIFT ARM ASSEMBLY

Ref. No.	Part No.	Description	No. Used
1	3296-68	Nut - Lock	2
2	302-2	Fitting - Grease	4
3	71-2570	Shaft - Pivot	1
4	69-7940	Support - Lift Arm R.H.	2
6	237-42	Seal - O-Ring	4
7	92-4971	Hydraulic Cylinder Assembly	2
8	237-22	Seal - O-Ring	9
9	69-8440	Hose - Hydraulic	1
11	72-4310	Switch - Ball	1
12	69-5440	Hose - Hydraulic	3
13	340-70	Nut - Bulkhead	1
14	340-68	Fitting - Hydraulic Bulk. Tee (Incl. Ref. #8)	1
15	69-9190	Tube - Cylinder Bushing	2
16	20-4360	Tube - Spacer	2
17	69-9180	Pin - Cylinder	2
18	3272-23	Pin - Cotter	4
19	340-77	Fitting - Hydraulic Elbow (Incl. Ref. #6 & 8)	4
20	32153-6	Nut - Lock	2
21	328-10	Screw - Cap Hex. Hd.	2
22	325-6	Screw - Cap Hex. Hd.	12
23	32121-110	Pin - Roll	2
24	71-2590	Shaft - Pivot	1
25	3253-7	Washer - Lock	16

Ref. No.	Part No.	Description	No. Used
26	3217-9	Nut - Hex.	16
27	69-7920	Support - Lift Arm L.H.	2
28	256-304	Washer - Thrust	2
29	69-6470	Bushing - Flange	4
30	92-4806	Pin - Latch	1
31	32120-47	Ring - Retaining	2
32	69-8470	Spring - Torsion	1
33	76-1670	Spring - Extension	1
34	69-1540	Pivot - Spring	1
35	3272-12	Pin - Cotter	2
36	32136-2	Nut - Slotted	2
37	86-8100	Joint - Ball (Incl. Ref. #2 & 36)	2
38	21-3000	Nut - Jam	2
39	69-9580	Front Lift Arm Assy. L.H. (Incl. Ref. #29 & 40)	1
40	302-5	Fitting - Grease	2
41	3290-378	Tie - Cable	1
43	69-9570	Front Lift Arm Assy. R.H. (Incl. Ref. #29 & 40)	1
44	92-1747	Tube - Hydraulic	1
45	340-57	Fitting - Hydraulic Straight (Incl. Ref. #8)	2
46	93-1397	Valve - Flow Control	1
47	92-1748	Tube - Hydraulic	1



T-0380A

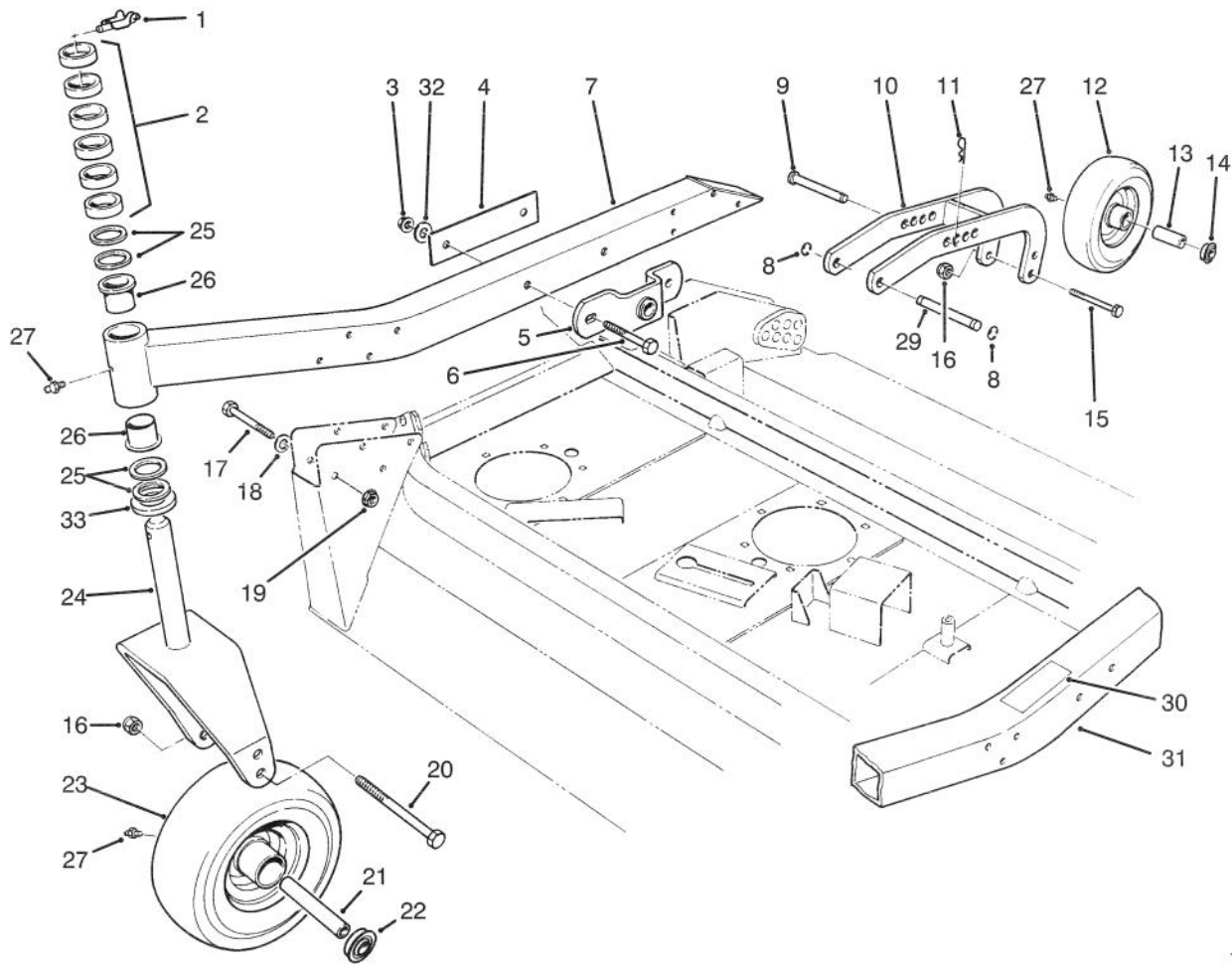
HYDRAULIC CYLINDER ASSEMBLY NO. 92-4971

Ref. No.	Part No.	Description	No. Used
1	69-2580	Shaft w/clevis	1
†2		Seal - Dust	1
3	61-4990	Ring - Retaining	1
4	69-2570	Head	1
†5		Ring - Back-Up	1
†6		Seal - O-Ring	1
†7		Ring - Back-Up	1
†8		Seal - O-Ring	1

Ref. No.	Part No.	Description	No. Used
†9		Uni-Ring	1
10	60-9770	Piston	1
11	60-9760	Nut - Lock	1
†12		Barrel	1
13	302-5	Fitting - Grease	3
14		Seal - Uni-Ring	1
*	86-7350	Seal Repair Kit (Incl. Ref. #2 & 5-9)	1

*Not Illustrated

†Not serviceable separately.

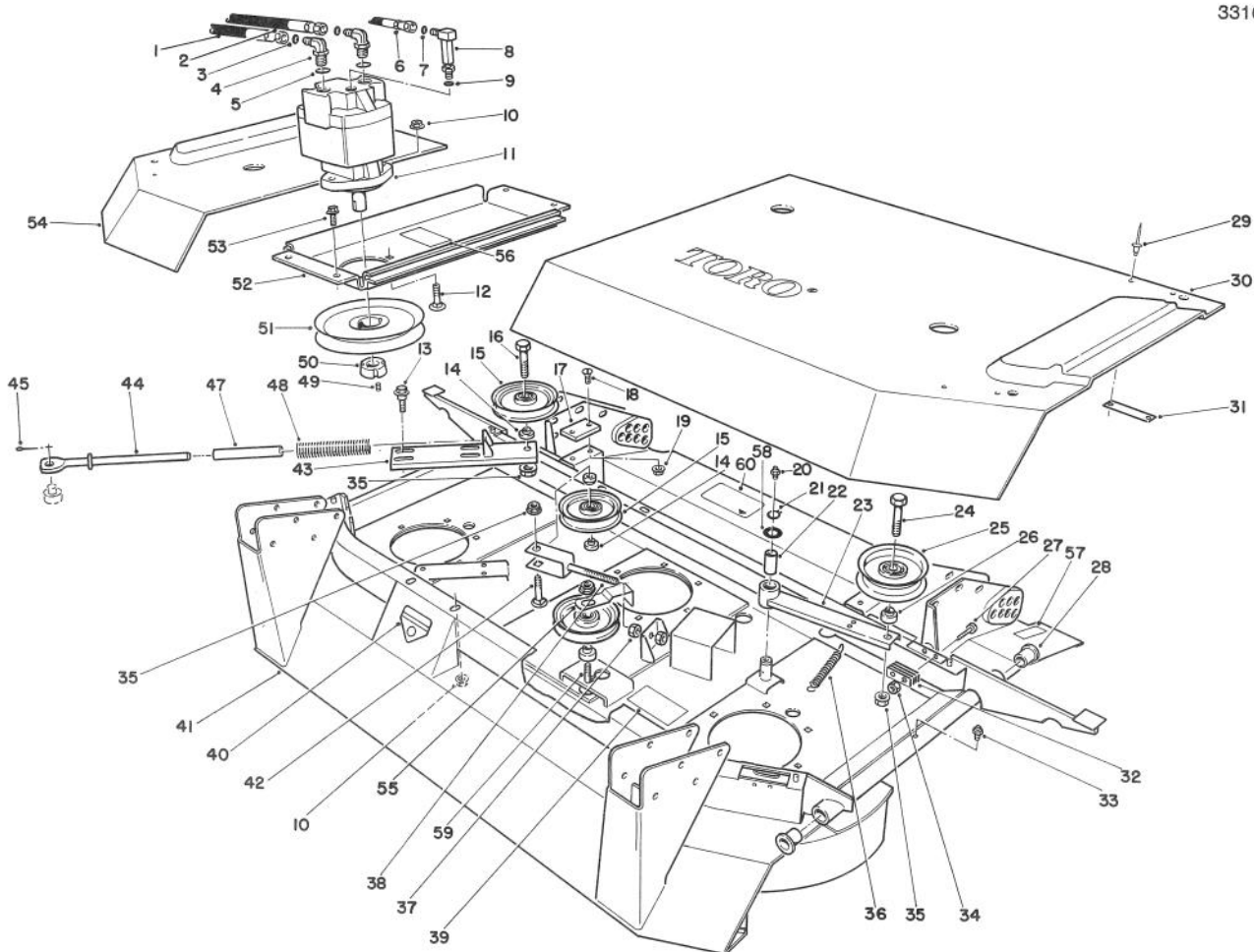


T-0362A

CENTER DECK MODEL NO. 30592 CARRIER FRAME ASSEMBLY

Ref. No.	Part No.	Description	No. Used
1	3290-384	Pin - Lynch	2
2	69-1510	Spacer - Caster	12
3	32128-23	Nut - Flange Lock	4
4	69-8790	Plate - Reinforcing	2
5	69-7290	Mount - Ball Joint	2
6	325-15	Screw - Cap Hex. Hd.	4
7	69-8860	Arm - Castor R.H. (Incl. Ref. #26-27)	1
8	32151-48	Ring - Retaining	4
9	283-70	Pin - Hitch (Incl. Ref. #11)	2
10	75-9790	Arm - Pivot	2
11	3290-343	Pin - Cotter Hair	2
12	92-1654	Castor Wheel Assembly (Incl. Ref. #13-14, & 27)	2
13	251-332	Spacer Bearing	2
14	251-321	Bearing - Castor	4
15	327-24	Screw Cap Hex. Hd.	2
16	3296-53	Nut - Lock	4

Ref. No.	Part No.	Description	No. Used
17	323-15	Screw - Cap Hex. Hd.	16
18	5-0838	Washer - Flat	16
19	32128-43	Nut - Lock	16
20	327-15	Screw - Cap Hex. Hd.	2
21	251-333	Spacer - Bearing	2
22	251-321	Bearing - Castor	4
23	92-2362	Castor Wheel Assembly (Incl. Ref. #21-22, & 27)	2
24	69-6270	Fork - Castor	2
25	69-6860	Washer - Castor	8
26	69-6470	Bushing - Flange	4
27	302-5	Fitting - Grease	6
29	69-9260	Pin - Clevis	2
30	13-5069	Arm - Castor L.H. (Incl. Ref. #26-27, & 31)	1
31	69-0880	Decal - Torque	1
32	30-8770	Washer - Flat	4
33	77-0950	Washer - Castor	2

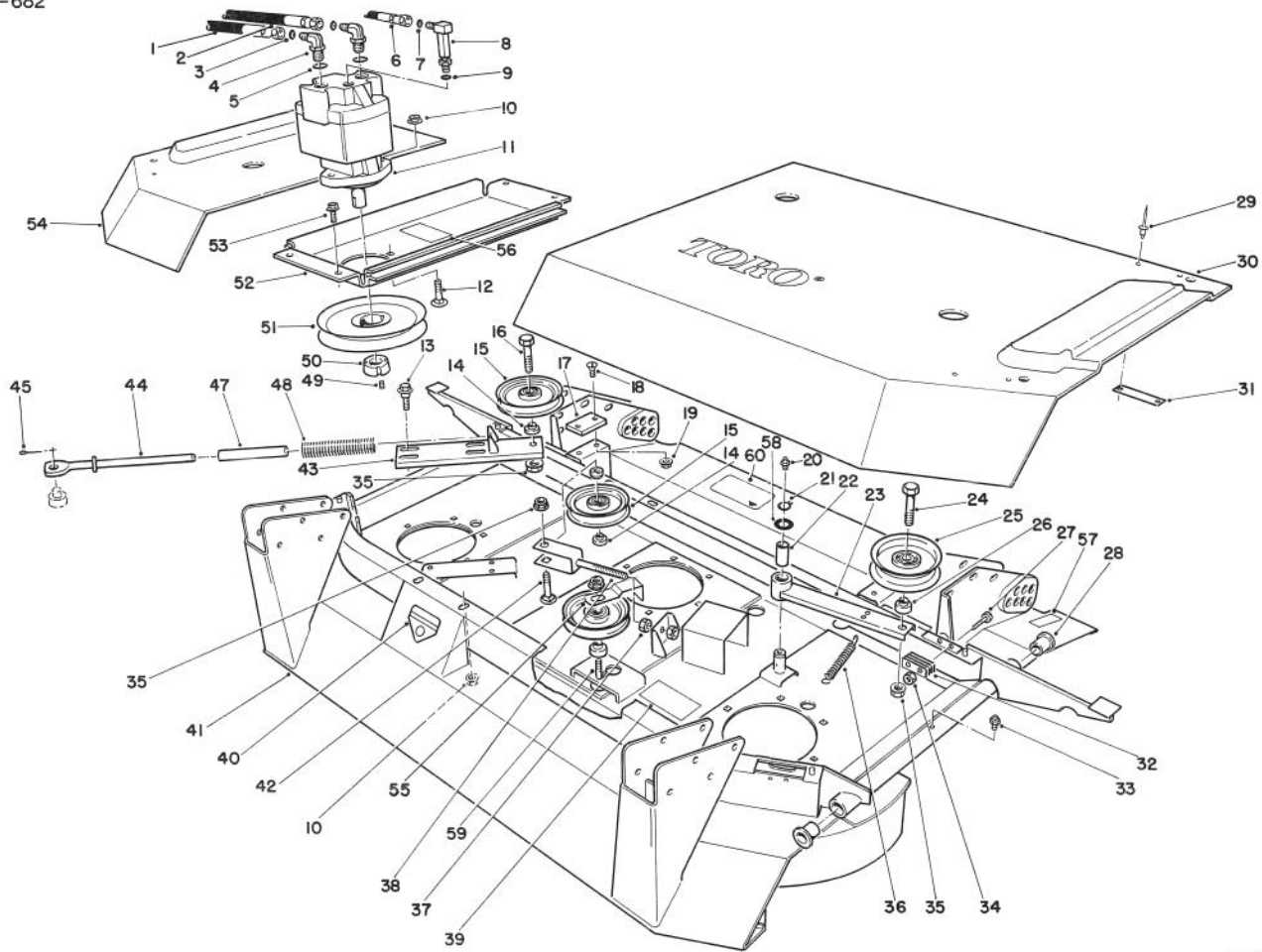


CENTER DECK MODEL NO. 30592

T-0361C

Ref. No.	Part No.	Description	No. Used
1	76-2760	Hydraulic Hose Assembly	1
2	76-2750	Hydraulic Hose Assembly	1
3	237-58	Seal - O-Ring	2
4	340-142	Fitting - Hydraulic Elbow (Incl. Ref #3 & 5)	2
5	237-81	Seal - O-Ring	2
6	76-2770	Hydraulic Hose Assembly	1
7	237-22	Seal - O-Ring	1
8	69-4320	Fitting - Hydraulic 90° (Incl. Ref. #7 & 9)	1
9	237-42	Seal O-Ring	1
10	32128-21	Nut - Flange Lock	6
11	69-2780	Motor - Hydraulic	1
12	3231-28	Bolt - Carriage	2
13	19-1470	Bolt - Shoulder	4
14	69-6960	Spacer - Idler	4
15	63-1540	Pulley - Idler	3
16	325-7	Screw - Cap Hex. Hd.	1
17	69-9290	Pad - Bumper	2
18	32108-103	Screw - Flat Hd.	4
19	32128-20	Nut - Lock	4
20	302-2	Fitting - Grease	1
21	32120-72	Ring - Retaining	1
22	256-188	Bushing - Sleeve	1
23	69-6610	Arm - Idler (Incl. Ref. #22)	1
24	325-8	Screw - Cap Hex. Hd.	1
25	69-5430	Pulley - Idler	1

Ref. No.	Part No.	Description	No. Used
26	69-6970	Spacer - Idler	1
27	32105-1	Screw - Machine	8
28	256-117	Bushing - Flange	4
29	3269-25	Rivet - Pop	8
30	69-6780	Cover - Center Left	1
31	69-6870	Plate - Magnet	4
32	69-6260	Magnet - Cover	4
33	302-5	Fitting - Grease	2
34	3296-2	Nut - Lock	8
35	32128-23	Nut - Flange Lock	4
36	76-1670	Spring - Extension	1
37	3217-9	Nut - Jam	2
38	69-6550	Arm - Tension	1
39	82-2560	Decal - Belt Routing	1
40	43-8480	Decal - Danger	1
41	13-4969	Deck - Center (Incl. Ref. #20, 28, 33, 39, 40 & 57)	1
42	3233-27	Bolt - Carriage	1
43	69-6490	Plate - Tension	1
44	77-2830	Rod - Spring	1
45	3272-7	Pin - Cotter	1
47	69-6890	Spacer - Spring	1
48	86-7480	Spring - Compression	1
49		Screw - Set	2
50	23-1640	Bushing - Taper Lock (Incl. Ref. #49)	1

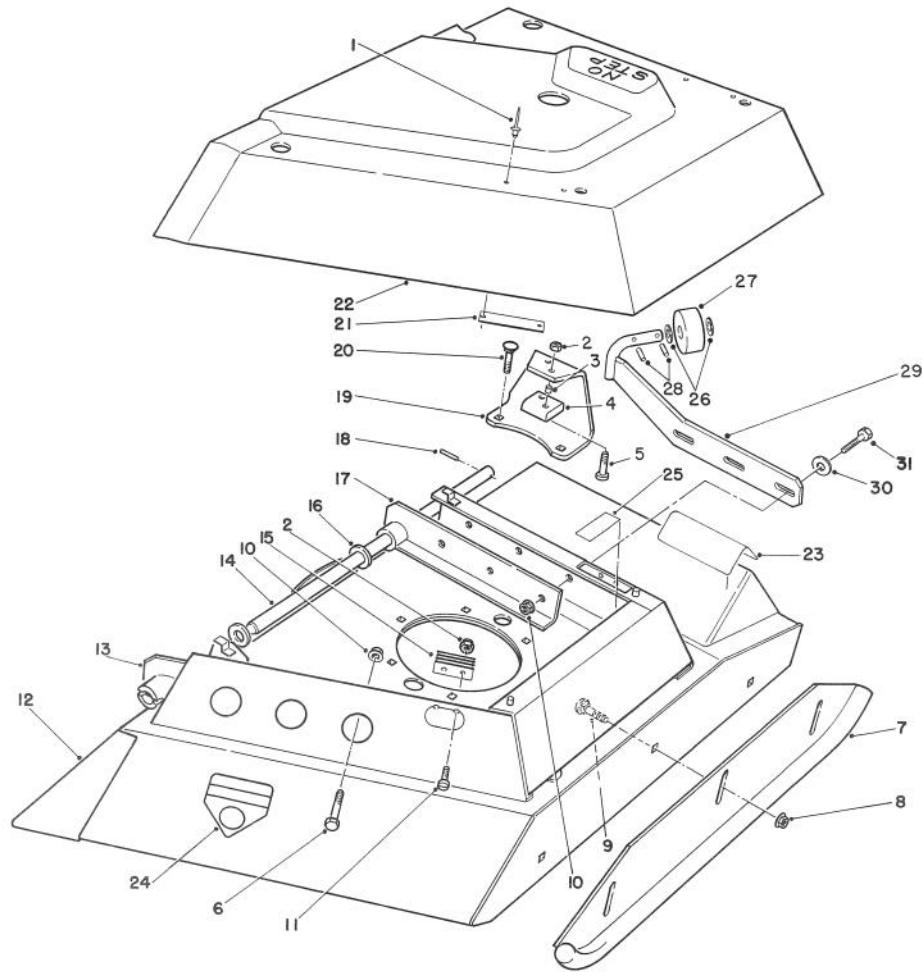


T-0361C

CENTER DECK MODEL NO. 30592 (Continued)

Ref. No.	Part No.	Description	No. Used	Ref. No.	Part No.	Description	No. Used
51	63-0660	Pulley - Drive	1	57	69-0820	Decal - H.O.C.	1
52	69-6390	Plate - Gearbox	1	58	3-6498	Washer - Flat	1
53	3234-12	Screw - Hex. Flange Hd.	4	59	3233-30	Bolt - Carriage	1
54	69-6790	Cover - Center Right	1	60	66-1340	Decal - Danger	1
55	85-6450	Retainer - Belt	1	*	69-6220	Hex.-Belt - Deck Drive	1
56	71-4260	Decal - H.O.C.	1	*	3290-378	Tie - Cable	2

*Not Illustrated



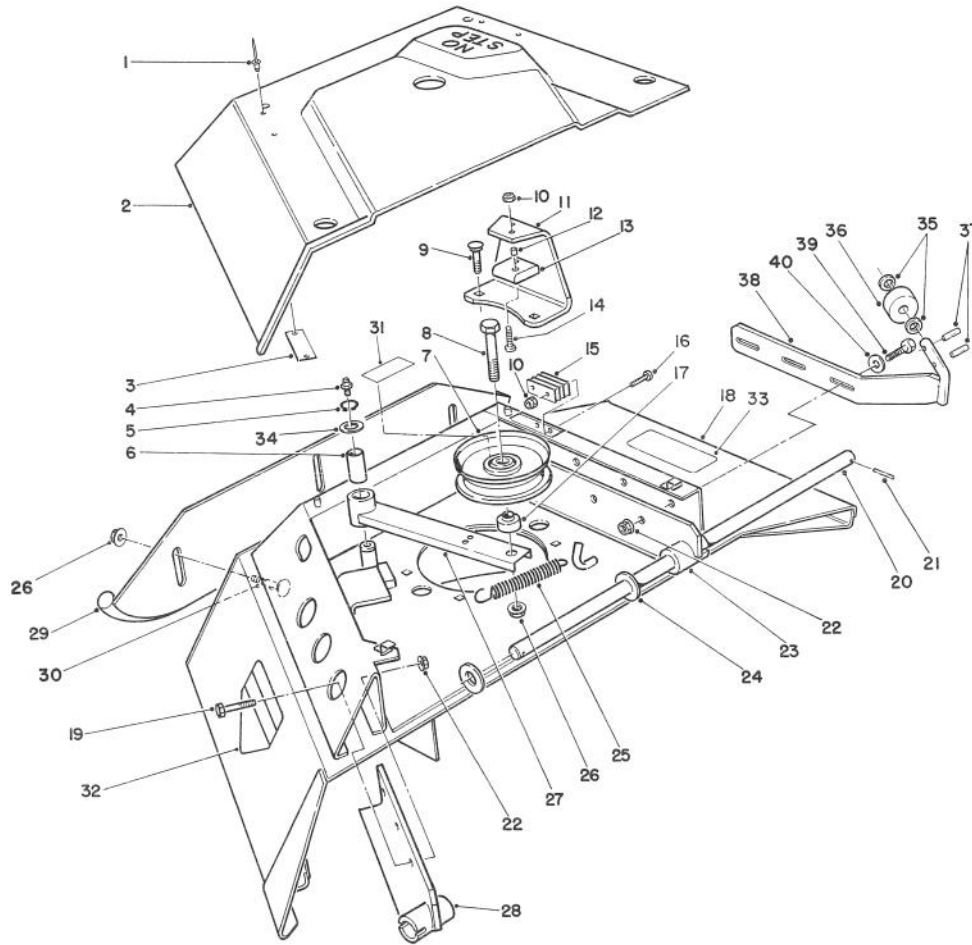
T-0366A

CENTER DECK MODEL NO. 30592 LEFT WING ASSEMBLY

Ref. No.	Part No.	Description	No. Used
1	3269-25	Rivet - Pop	4
2	3296-2	Nut - Lock	6
3	40-9520	Spacer - Split	2
4	40-0330	Cushion - Rubber	1
5	3250-27	Screw - Truss Hd.	2
6	323-6	Screw - Cap Hex. Hd.	3
7	69-6730	Skid	1
8	32128-23	Nut - Flange Lock	3
9	3233-9	Bolt - Carriage	3
10	32128-21	Nut - Flange Lock	6
11	32105-1	Screw - Machine	4
12	13-4989	Deck - Left Wing (Incl. Ref. #23-25)	1
13	69-6640	Hinge - Left Front	1
14	69-6900	Shaft - Hinge	1
15	69-6260	Magnet - Cover	2
16	256-305	Washer - Thrust	2

Ref. No.	Part No.	Description	No. Used
17	69-6670	Hinge - Left Rear	1
18	32121-6	Pin - Roll	2
19	69-6910	Bracket - Support	1
20	3231-25	Bolt - Carriage	2
21	69-6870	Plate - Magnet	2
22	69-6850	Cover - Left Wing	1
23	66-1340	Decal - Danger	1
24	43-8480	Decal - Danger	1
25	67-5360	Decal - Danger	1
26	3256-69	Washer	2
27	82-4910	Roller	1
28	32121-4	Pin - Roll	2
29	88-9270	Bracket - Roller LH	1
30	5-0838	Washer - Flat	3
31	323-7	Screw - Cap Hex. Hd.	3
*	76-2060	V-Belt	1
*	42-6200	Shim - Cushion	A/R

*Not Illustrated

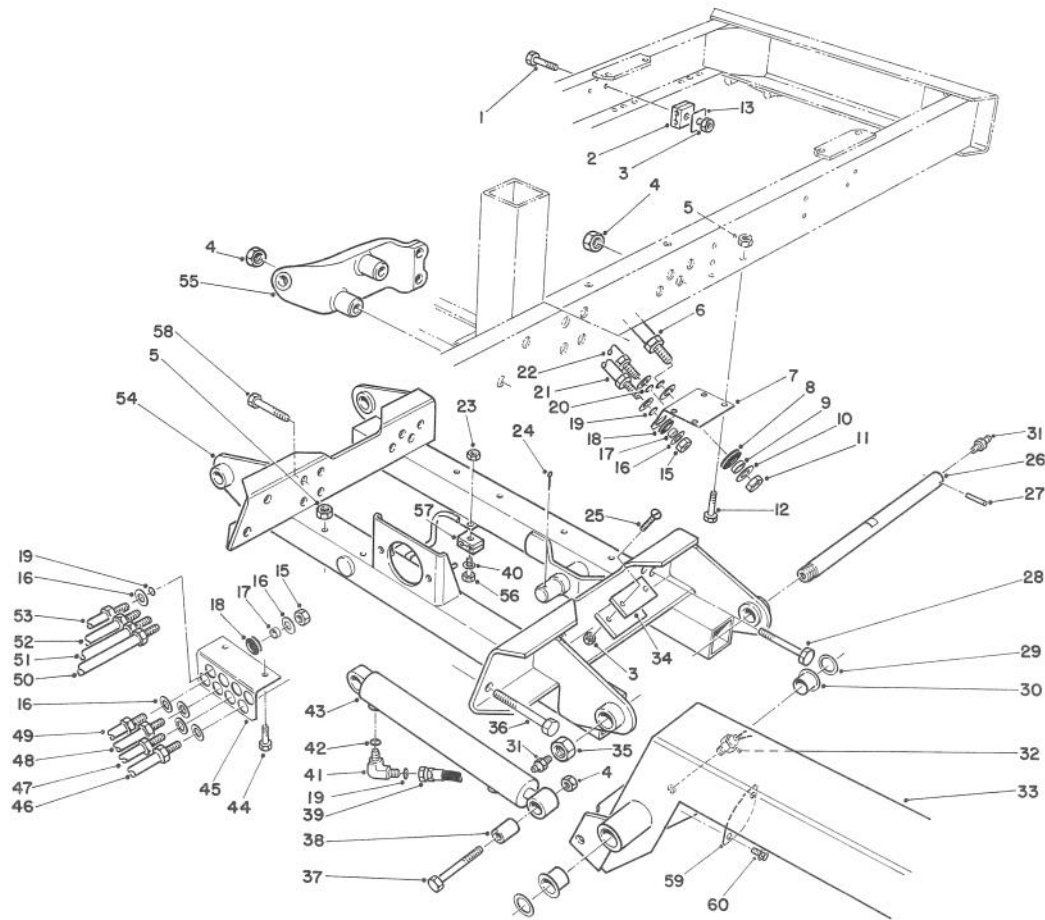


T-0365

CENTER DECK MODEL NO. 30592 RIGHT WING ASSY.

Ref. No.	Part No.	Description	No. Used	Ref. No.	Part No.	Description	No. Used
1	3269-25	Rivet - Pop	4	22	32128-21	Nut - Flange Lock	6
2	69-6840	Cover - Right Wing	1	23	69-6710	Hinge - Right Rear	1
3	69-6870	Plate - Magnet	2	24	256-305	Washer - Thrust	2
4	302-2	Fitting - Grease	1	25	76-1670	Spring - Extension	1
5	32120-72	Ring - Retaining	1	26	32128-23	Nut - Flange Lock	4
6	256-188	Bushing - Sleeve	1	27	69-6610	Idler Arm Assembly (Incl. Ref. #6)	1
7	69-5430	Pulley - Idler	1	28	69-6690	Hinge - Right Front	1
8	325-8	Screw - Cap Hex. Hd.	1	29	69-6730	Skid	1
9	3231-25	Bolt - Carriage	2	30	3233-9	Bolt - Carriage	3
10	3296-2	Nut - Lock	6	31	67-5360	Decal - Danger	1
11	69-6910	Bracket - Support	1	32	43-8480	Decal - Danger	1
12	40-9520	Spacer - Split	2	33	66-1340	Decal - Danger	1
13	40-0330	Cushion - Rubber	1	34	3-6498	Washer	1
14	3250-27	Screw - Truss Hd.	2	35	3256-69	Washer	2
15	69-6260	Magnet - Cover	2	36	82-4910	Roller	1
16	32105-1	Screw - Machine	4	37	32121-4	Pin - Roll	2
17	69-6970	Spacer - Idler	1	38	88-9260	Bracket - Roller RH	1
18	13-4979	Right Wing Deck Assembly (Incl. Ref. #4, 32 & 33)	1	39	323-7	Screw - Cap Hex. Hd.	3
19	323-6	Screw - Cap Hex. Hd.	3	40	5-0838	Washer - Flat	3
20	69-6900	Shaft - Hinge	1	*	76-2060	V-Belt	1
21	32121-6	Pin - Roll	2	*	42-6200	Shim - Cushion	A/R

*Not Illustrated



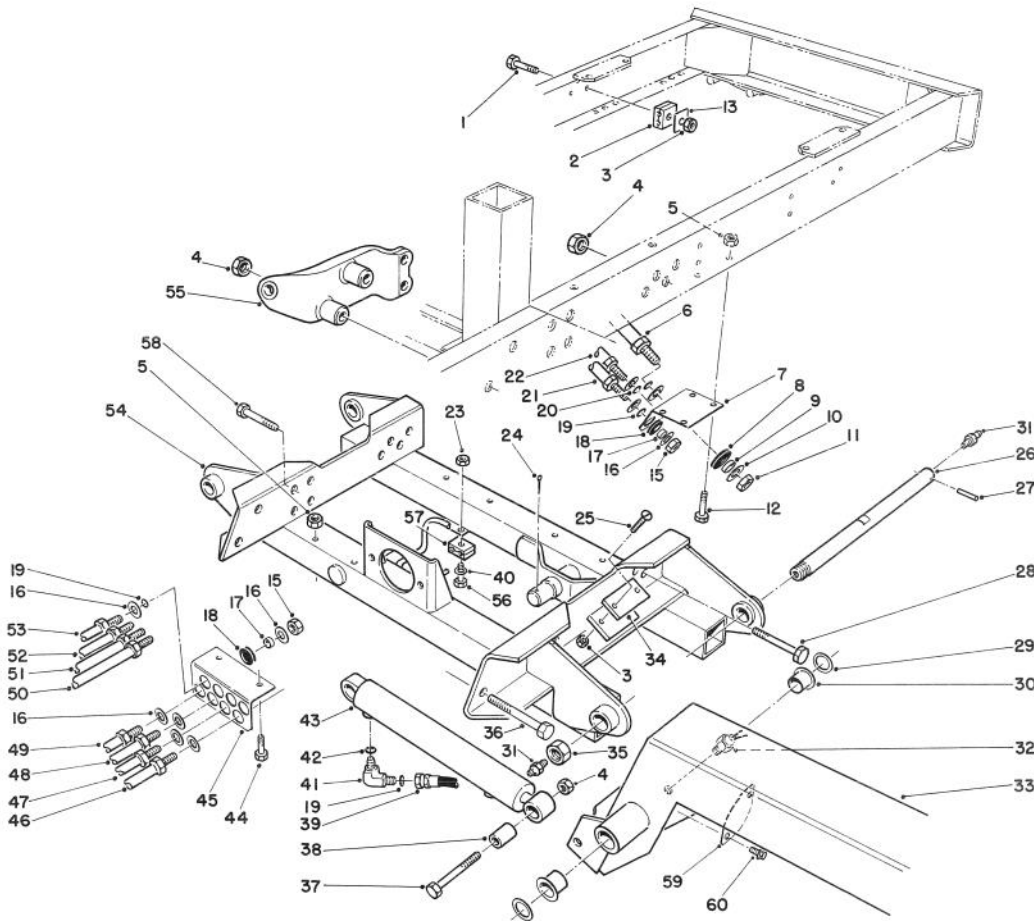
T-0348A

WING DECK LIFT ASSEMBLY

Ref. No.	Part No.	Description	No. Used
1	322-11	Screw - Cap Hex. Hd.	1
2	56-7974	Clamp Half - Hydraulic Line	2
3	32152-1	Nut - Lock	5
4	32153-6	Nut - Lock	22
5	32152-2	Nut - Lock	6
6	69-6170	Tube - Hydraulic L.H. (Incl. Ref. #20)	1
*	69-6140	Tube - Hydraulic R.H. (Incl. Ref. # 20)	1
7	69-9450	Bracket - Wing Hose L.H.	1
*	69-9460	Bracket - Wing Hose R.H.	1
8	240-3	Grommet	4
9	69-9000	Spacer	4
10	69-9010	Washer	8
11	340-74	Nut - Bulkhead	4
12	323-6	Screw - Cap Hex. Hd.	4
13	69-9761	Plate - Cover	1
15	340-70	Nut - Bulkhead	10
16	69-8940	Washer	20
17	69-8970	Spacer	10
18	240-4	Grommet	10
19	237-22	Seal - O-Ring	14
20	237-65	Seal - O-Ring	4
21	69-5980	Tube - Hydraulic L.H. (Incl. Ref. #19)	1
*	69-5970	Tube - Hydraulic R.H. (Incl. Ref #19)	1

Ref. No.	Part No.	Description	No. Used
22	69-6180	Tube - Hydraulic L.H. (Incl. Ref. #20)	1
*	69-6150	Tube - Hydraulic R.H. (Incl. Ref. #20)	1
23	32152-4	Nut Lock	3
24	3272-33	Pin - Cotter	2
25	32108-103	Screw - Machine Flat Hd.	4
26	71-2580	Shaft - Lift Arm Pivot	2
27	32121-110	Pin - Roll	2
28	328-26	Screw - Cap Hex. Hd.	12
29	256-304	Washer - Thrust	4
30	69-6470	Bushing - Flange	4
31	302-2	Fitting - Grease	4
32	72-4310	Switch - Lift	2
33	92-8664	Lift Arm Assembly L.H. (Incl. Ref. #30-31)	1
*	92-8665	Lift Arm Assembly R.H. (Incl. Ref. #30-31)	1
34	69-9300	Cushion - Rubber	2
35	3296-68	Nut Lock	2
36	328-8	Screw - Cap Hex. Hd.	4
37	328-10	Screw - Cap Hex. Hd.	2
38	69-9190	Bushing - Cylinder	2
39	69-5490	Hose - Cylinder	4
40	3256-56	Washer - Flat	3
41	340-77	Fitting - Hydraulic Elbow (Incl. Ref. #19 & 42)	4

*Not Illustrated

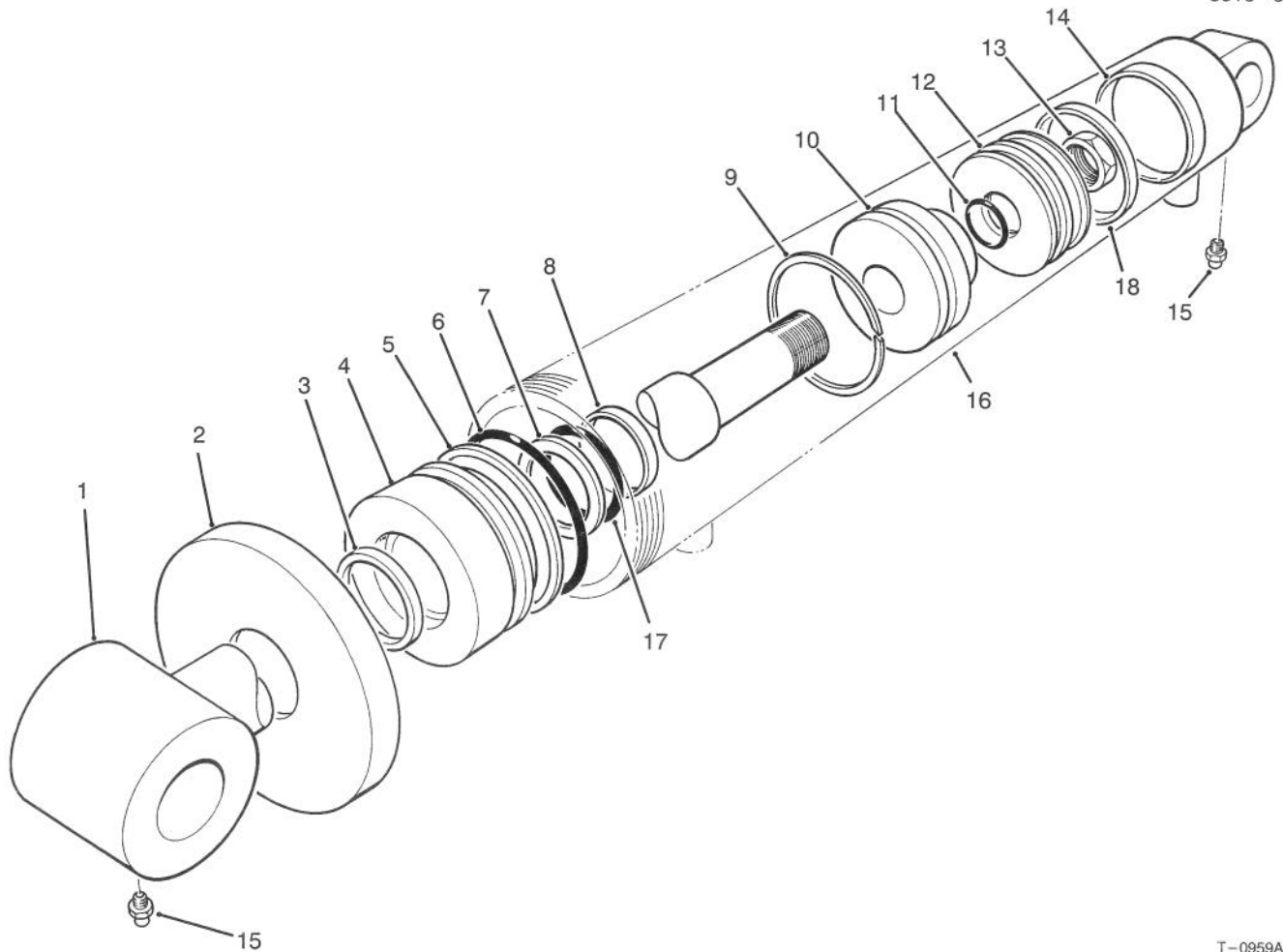


T-0348A

WING DECK LIFT ASSEMBLY (Continued)

Ref. No.	Part No.	Description	No. Used	Ref. No.	Part No.	Description	No. Used
42	237-42	Seal - O-Ring	4	51	69-6050	Tube - Hydraulic (Incl. Ref. #19)	1
43	74-2170	Cylinder - Lift	2	52	69-6080	Tube - Hydraulic (Incl. Ref. #19)	1
44	323-15	Screw - Cap Hex. Hd.	2	53	69-5990	Tube - Hydraulic (Incl. Ref. #19)	1
45	74-2680	Bracket - Bulkhead	1	54	69-4400	Carrier - Wing Deck	1
46	69-6030	Tube - Hydraulic (Incl. Ref. #19)	1	55	69-1580	Anchor - Latch L.H.	1
47	69-6060	Tube - Hydraulic (Incl. Ref. #19)	1	*	69-1600	Anchor - Latch R.H.	1
48	69-6070	Tube - Hydraulic (Incl. Ref. #19)	1	56	321-9	Screw - Cap Hex. Hd.	3
49	69-6000	Tube - Hydraulic (Incl. Ref. #19)	1	57	56-7973	Clamp Half - Hydraulic Line	6
50	69-6040	Tube - Hydraulic (Incl. Ref. #19)	1	58	328-24	Screw - Cap Hex. Hd.	4
				59	39-7650	Plate - Cover	2
				60	32144-11	Screw - Thread Forming	4
				*	3290-378	Tie - Cable	3

*Not Illustrated



T-0959A

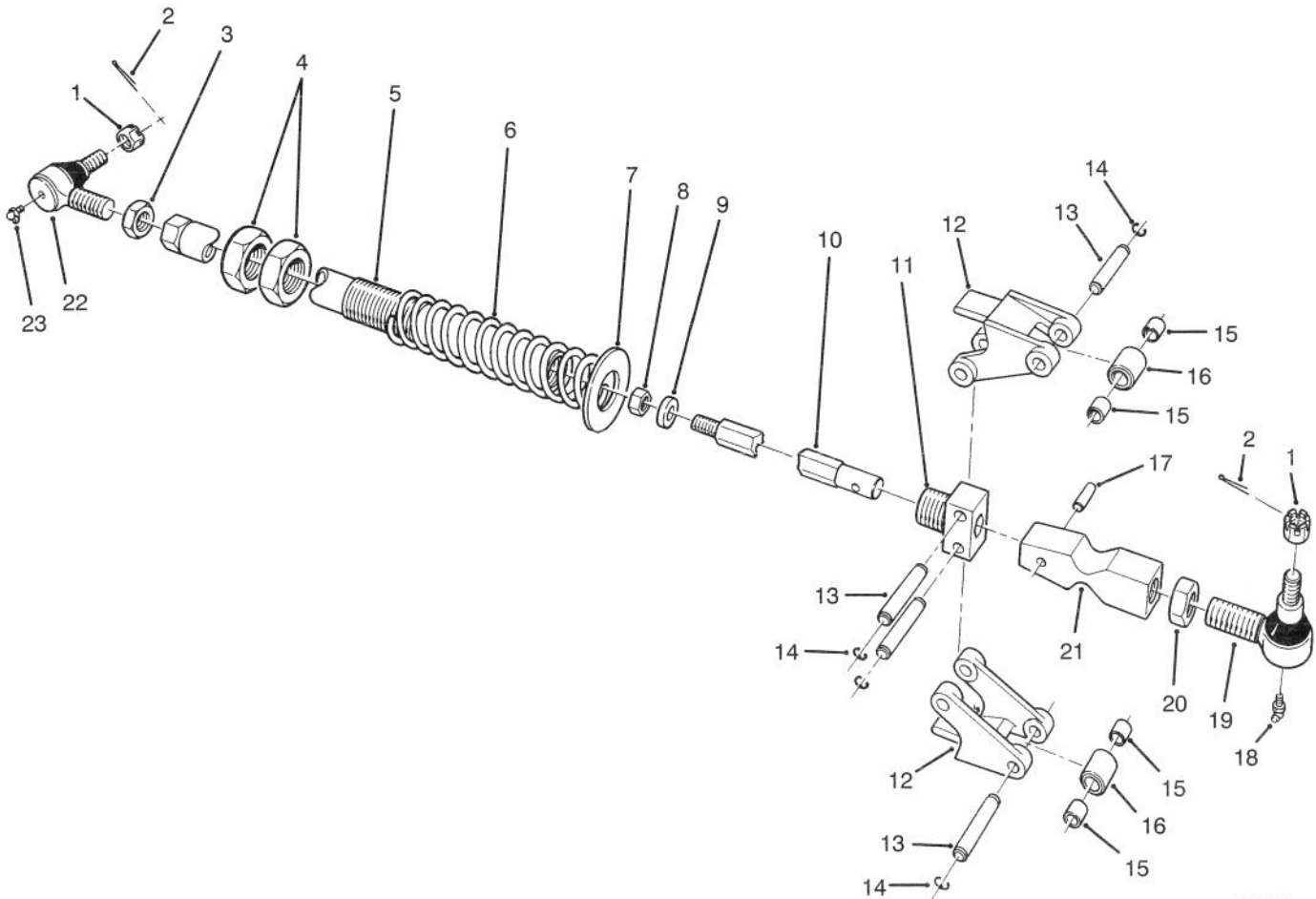
HYDRAULIC CYLINDER ASSEMBLY NO. 74-2170

Ref. No.	Part No.	Description	No. Used
1	74-2230	Shaft/Clevis	1
2	74-2220	Collar	1
†3		Seal - Dust	1
4	74-2200	Head	1
†5		Ring - Back-Up	1
†6		Seal - O-Ring	1
†7		Ring - Back-Up	1
†8		Ring - Wear	1
9	74-2180	Ring - Steel	1
10	74-2190	Cushion	1
†11		Uni-Ring	1

Ref. No.	Part No.	Description	No. Used
12	74-2210	Piston	1
13	60-9760	Nut - Lock	1
†14		Ring - Wear	1
15	302-5	Fitting - Grease	2
†16		Barrel/Clevis	1
†17		Seal - O-Ring	1
18		Seal - Uni-Ring	1
*	86-7350	Seal Repair Kit (Incl. Ref. #3, 5-8, 11, 14 & 17)	1

*Not Illustrated

†Not serviceable separately.

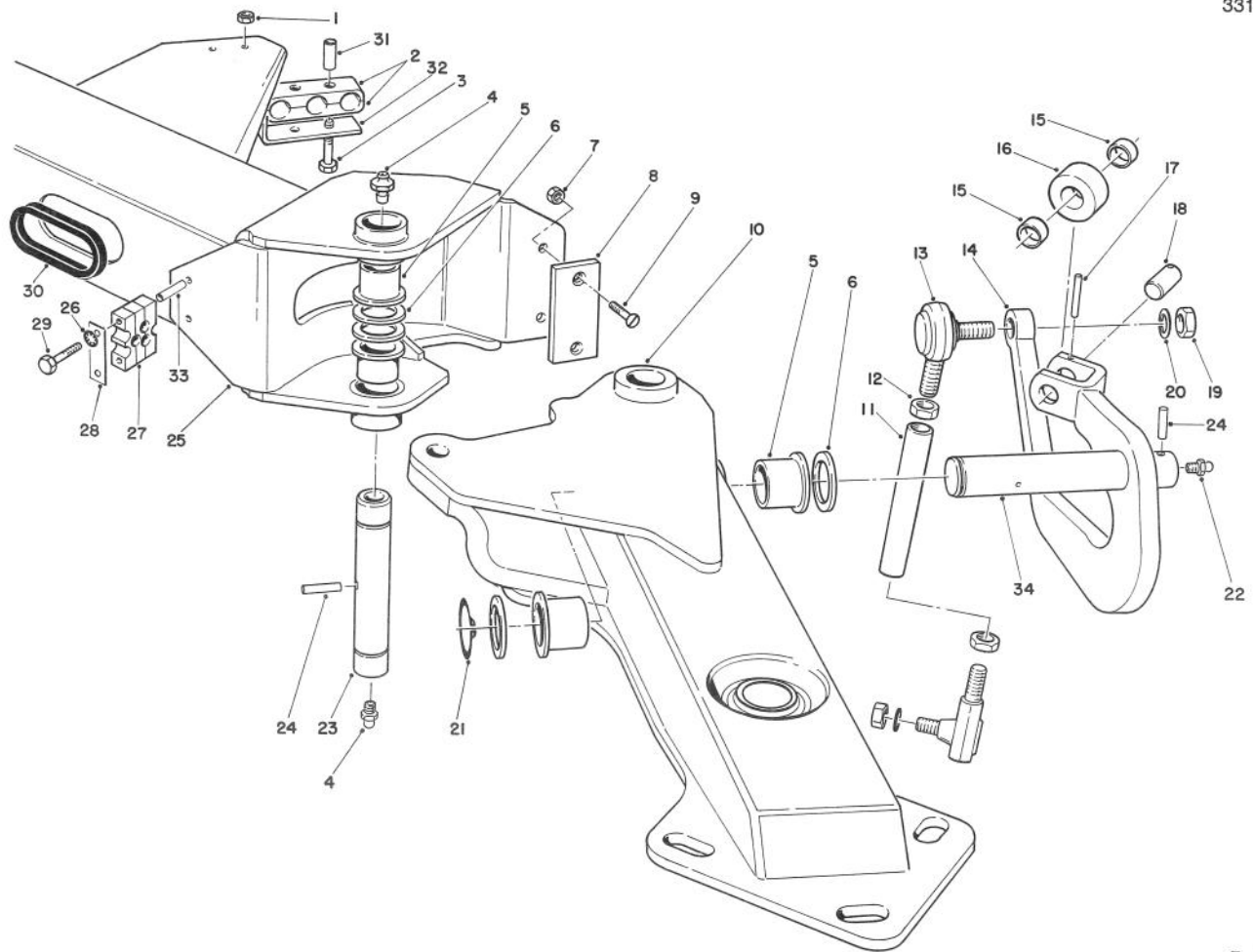


T-0369

WING DECK LATCH ASSEMBLY

Ref. No.	Part No.	Description	No. Used
1	32136-2	Nut - Castle	4
2	3272-12	Pin - Cotter	4
3	21-3001	Nut - Jam L.H. Thread	2
4	3220-22	Nut - Jam	4
5	69-7210	Tube - Latch	2
6	69-8480	Spring - Compression	2
7	69-9100	Washer - Latch	2
8	3296-41	Nut - Lock	2
9	71-2550	Washer - Latch Shaft	2
10	69-9680	Shaft - Latch	2
11	92-4804	Block - Latch Pivot	2
12	69-1630	Arm - Latch Pivot	4
13	92-4806	Pin - Latch	8

Ref. No.	Part No.	Description	No. Used
14	32120-47	Ring - Retaining	16
15	256-172	Bearing - Sleeve	8
16	92-4094	Roller - Latch	4
17	32121-49	Pin - Roll	2
18	302-5	Fitting - Grease	2
19	86-8100	Joint - Ball (Incl. Ref. #1 & 18)	2
20	21-3000	Nut - Jam	2
21	92-4805	Cam - Spring Trip	2
22	86-8101	Joint - Ball (Incl. Ref. #1 & 23)	2
23	302-40	Fitting - Grease	2



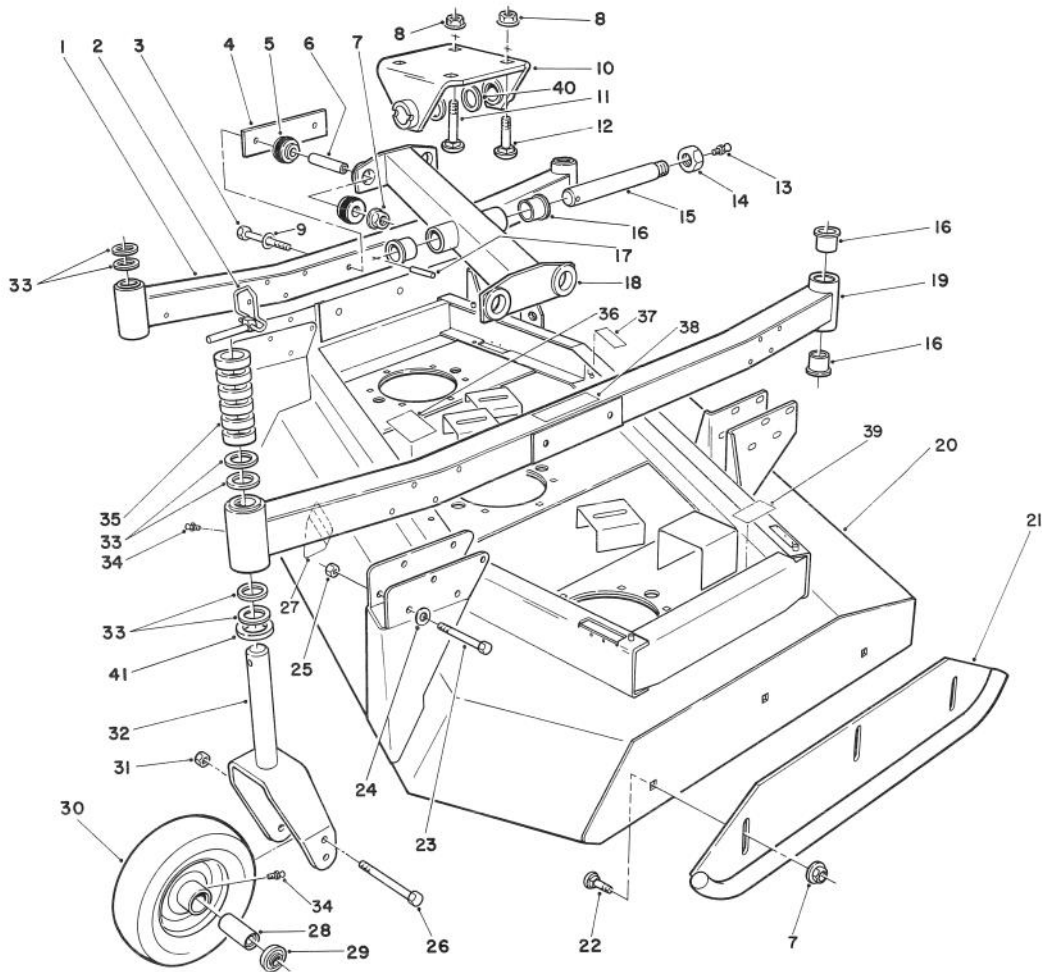
T-0370B

WING DECK LIFT ARM ASSEMBLY

Ref. No.	Part No.	Description	No. Used
1	32152-4	Nut - Lock	4
2	74-2710	Clamp Half - Hydraulic Line	4
3	321-15	Screw - Cap Hex. Hd.	4
4	302-2	Fitting - Grease	4
5	69-6470	Bushing - Flange	8
6	256-304	Washer - Thrust	8
7	32152-1	Nut - Lock	4
8	69-9300	Cushion - Rubber	2
9	32108-103	Screw - Machine Flat Hd.	4
10	71-0180	Arm - Outer Lift L.H.	1
*	71-0170	Arm - Outer Lift R.H. (Incl. Ref. #5)	1
11	71-2600	Tube - Anti - Sway	2
12	3220-7	Nut - Jam	4
13	2411-40	Joint - Ball	4
14	82-7930	Arm - Anti-Sway L.H.	1
*	82-7940	Arm - Anti-Sway R.H.	1
15	256-76	Bushing - Sleeve	4
16	69-9240	Roller - Cam	2
17	32121-34	Pin - Roll	2

Ref. No.	Part No.	Description	No. Used
18	69-9250	Shaft - Roller	2
19	3219-7	Nut - Lock	4
20	3253-9	Washer - Lock	4
21	32151-10	Ring - Retaining	2
22	302-5	Fitting - Grease	2
23	71-2620	Shaft - Lift Arm Elbow	2
24	32121-110	Pin Roll	4
25	92-8664	Lift Arm Assembly L.H. (Incl. Ref. #5)	1
*	92-8665	Lift Arm Assembly R.H. (Incl. Ref. #5)	1
26	3254-2	Washer	4
27	82-8170	Clamp - Hose	6
28	92-8663	Plate - Clamp	2
29	322-22	Screw - Cap Hex. Hd.	4
30	240-8	Grommet	4
31	74-2730	Tube - Clamp	4
32	74-2750	Retainer - Clamp	2
33	92-8662	Spacer	4
34	82-7900	Shaft - Arm	2

*Not Illustrated



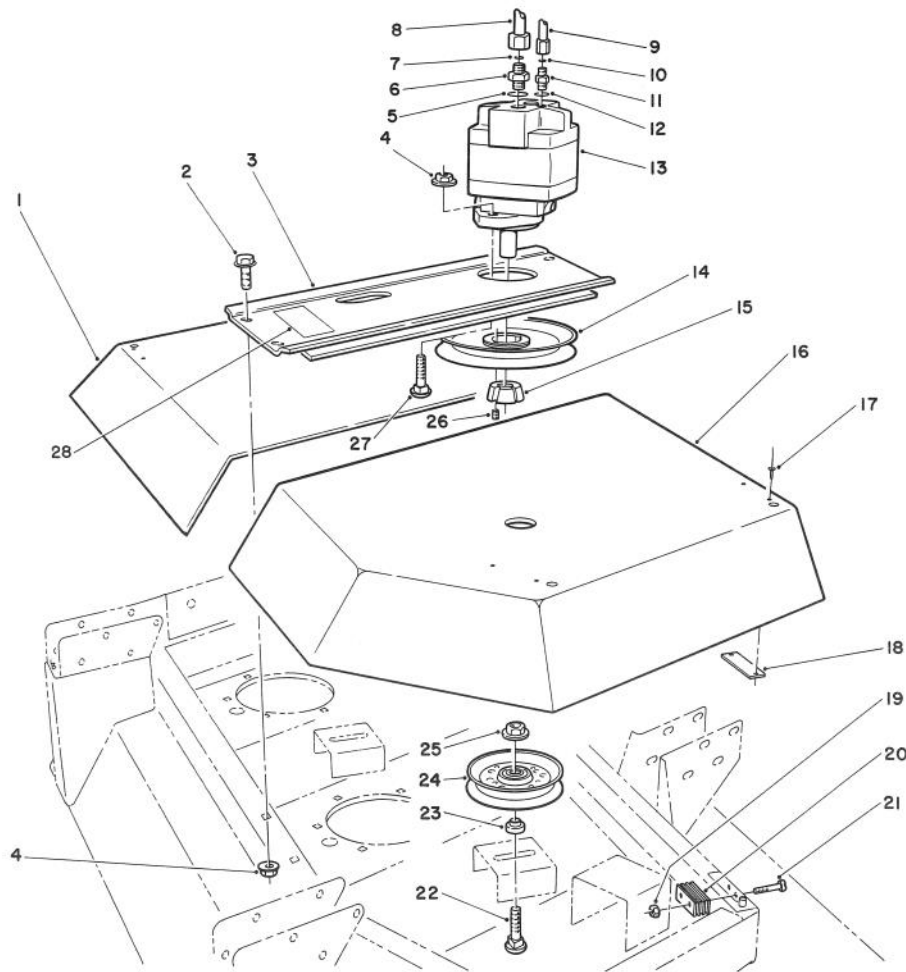
T-0335A

WING DECK MODEL NO 30591 L.H. & 30593 R.H.

Ref. No.	Part No.	Description	No. Used
1	69-8830	Arm - Inside Castor (Incl. Ref. #16 & 34)	2
2	3290-384	Pin - Lynch	8
3	325-20	Screw - Cap Hex. Hd.	8
4	69-8790	Plate - Reinforcing	2
5	69-9700	Mount - Rubber (Incl. Ref. #6)	8
6		Spacer	8
7	32128-23	Nut - Flange Lock	20
8	32128-45	Nut - Lock	8
9	30-8770	Washer - Flat	8
10	69-7170	Clevis - Deck	2
11	3233-29	Bolt - Carriage	2
12	3233-28	Bolt - Carriage	6
13	302-2	Fitting - Grease	2
14	3296-68	Nut - Lock	2
15	71-2610	Shaft - Deck Pivot	2
16	69-6470	Bushing - Flange	20
17	32121-110	Pin - Roll	2
18	69-6420	Bar - Lift L.H. (Incl. Ref. #16)	1
*	69-6480	Bar - Lift R.H. (Incl. Ref. #16)	1
19	13-5059	Arm - Outside Castor (Incl. Ref. #16, 34 & 41)	2

Ref. No.	Part No.	Description	No. Used
20	13-5009	Deck - Wing L.H. (Incl. Ref. #27, 36, 37 & 39)	1
*	13-4999	Deck - Wing R.H. (Incl. Ref. #27, 36, 37 & 39)	1
21	69-6730	Skid	4
22	3233-9	Bolt - Carriage	12
23	323-15	Screw - Cap Hex. Hd.	32
24	5-0838	Washer - Flat	32
25	32128-43	Nut - Lock	32
26	327-17	Screw Cap Hex. Hd.	8
27	43-8480	Decal - Danger	2
28	251-332	Spacer - Bearing	8
29	251-321	Bearing - Castor	16
30	92-1654	Castor Wheel Assembly (Incl. Ref. #28, 29 & 34)	8
31	3296-53	Nut - Lock	8
32	75-9670	Fork - Castor	8
33	69-6860	Washer - Thrust	28
34	302-5	Fitting - Grease	16
35	69-1510	Spacer - Castor	48
36	69-0890	Decal - Belt Routing L.H.	1
*	69-0900	Decal - Belt Routing R.H.	1
37	66-1340	Decal - Danger	2
38	69-0880	Decal - Torque	2
39	67-5360	Decal - Danger	4
40	256-304	Washer - Thrust	4
41	77-0950	Washer - Castor	8

*Not Illustrated



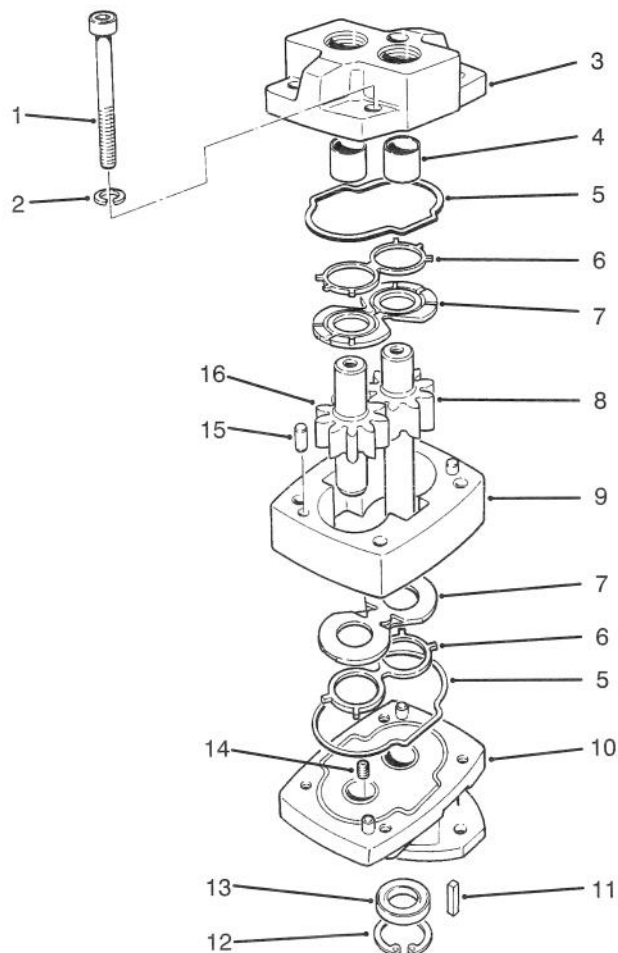
T-0336

WING DECK MODEL NO. 30591 L.H. & 30593 R.H. DRIVE ASSEMBLY

Ref. No.	Part No.	Description	No. Used
1	69-6800	Cover - Inner L.H.	1
*	69-6820	Cover - Inner R.H.	1
2	3234-12	Screw - Hex. Washer Hd.	8
3	69-6360	Plate - Motor Mounting L.H.	1
*	69-6340	Plate - Motor Mounting R.H.	1
4	32128-21	Nut - Flange Lock	12
5	237-81	Seal - O-Ring	4
6	340-8	Fitting - Hydraulic Straight (Incl. Ref. #5 & 7)	4
7	237-65	Seal - O-Ring	4
8	88-9360	Hose - Hydraulic	4
9	88-9370	Hose - Hydraulic	2
10	237-22	Seal - O-Ring	2
11	340-2	Fitting - Hydraulic Straight (Incl. Ref. # 10 & 12)	2
12	237-42	Seal - O-Ring	2
13	69-2780	Motor - Hydraulic	2
14	63-0660	Pulley - Wing Deck Drive	2

Ref. No.	Part No.	Description	No. Used
15	23-1640	Bushing - Taper Lock (Incl. Ref. #26)	2
16	69-6810	Cover - Outer L.H.	1
*	69-6830	Cover - Outer R.H.	1
17	3269-25	Rivet - Pop	16
18	69-6870	Plate - Magnet	8
19	3296-2	Nut - Lock	16
20	69-6260	Magnet - Cover	8
21	32105-1	Screw - Pan Hd.	16
22	3233-30	Bolt - Carriage	6
23	69-6960	Spacer - Idler	6
24	63-1540	Pulley - Idler	6
25	32128-23	Nut - Flange Lock	6
26	3231-28	Screw - Set	4
27	3231-28	Bolt - Carriage	4
28	71-4260	Decal - H.O.C.	2
*	76-2060	V-Belt	6
*	3290-378	Tie - Cable	24

*Not Illustrated



T-0386

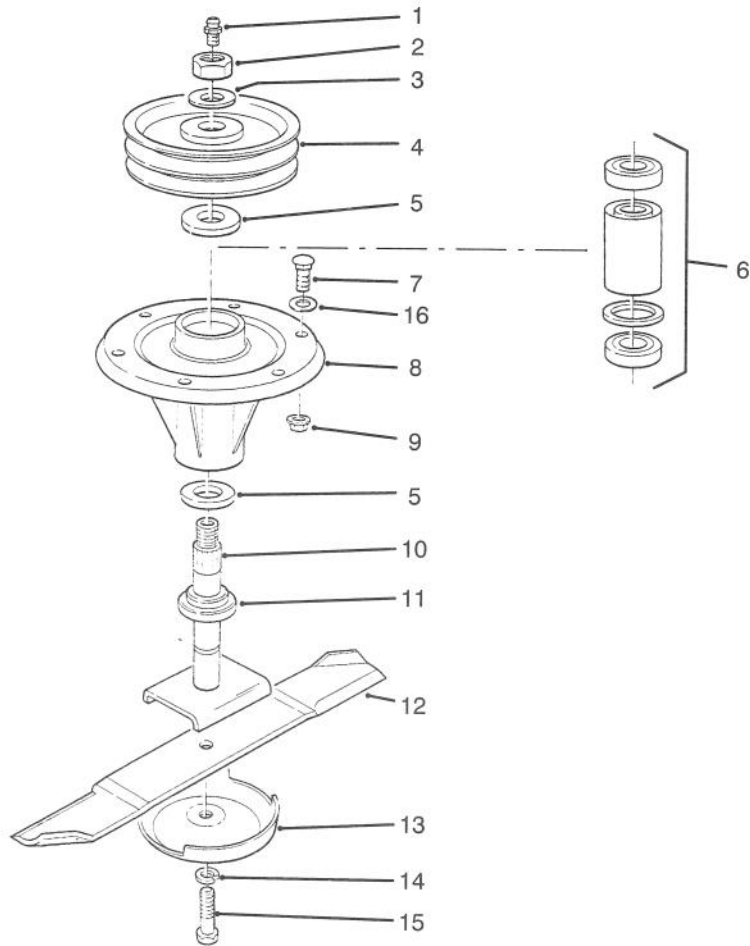
HYDRAULIC MOTOR ASSEMBLY NO. 69-2780

Ref. No.	Part No.	Description	No. Used
1	69-2890	Screw - Hex. Socket Hd.	4
2	69-2910	Washer	4
3	69-2800	Cover Assembly (Incl. Ref. #4)	1
†4		Bushing - Sleeve	4
5	69-2920	Seal - Square	2
6	69-2850	Seal - Load	2
7	69-2840	Plate - Wear	2
8	69-2830	Shaft/Gear - Drive	1
9	69-2810	Plate - Gear	1

Ref. No.	Part No.	Description	No. Used
10	69-2790	Body Assembly (Incl. Ref. #4 & 14)	1
11	69-2880	Key - Square	1
12	69-2930	Ring - Retaining	1
13	69-2860	Seal - Oil	1
14	69-2900	Plug - Pipe	2
15	69-2870	Pin - Dowel	4
16	69-2820	Shaft/Gear - Idler	1
*	69-2940	Repair Kit (Incl. Ref. #5, 6 & 13)	1

*Not Illustrated

†Not serviced separately.



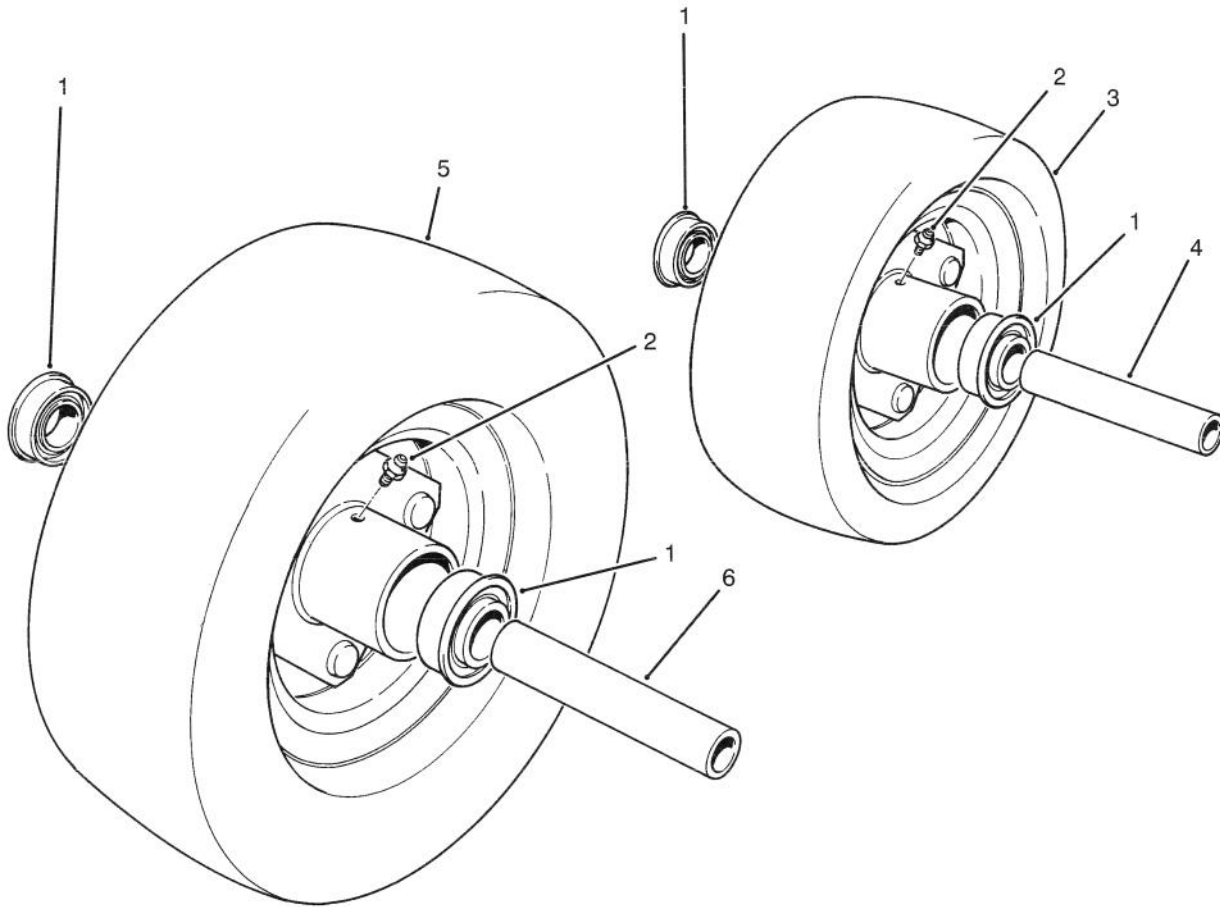
SPINDLE ASSEMBLY

T-0337

Ref. No.	Part No.	Description	No. Used
1	302-2	Fitting - Grease Str.	1
*	302-10	Fitting - Grease 45° (Used only on wing deck center & inside spindles)	1
2	3296-49	Nut - Lock	1
3	3-8514	Washer	1
4	69-8390	Pulley - Spindle	1
5	253-154	Seal - Wave	2
6	71-2530	Bearing Assembly	1
7	3231-22	Bolt - Carriage	6

Ref. No.	Part No.	Description	No. Used
8	69-1530	Housing - Spindle	1
9	32128-21	Nut - Flange Lock	6
10	69-6760	Shaft - Spindle	1
11	92-9800	Spacer - Spindle	1
12	69-6920	Blade - 20"	1
13	67-7561	Cup - Anti Scalp	1
14	3253-8	Washer - Lock	1
15	51-4060	Bolt - Blade	1
16	3256-24	Washer - Flat	A/R

*Not Illustrated



T-0992

10" & 13" SEGMENTED TIRE ASSEMBLIES (Optional)

Ref. No.	Part No.	Description	No. Used
1	251-321	Bearing - Ball	2
2	302-5	Fitting - Grease	1
3	76-1880	10" Segmented Tire Assy. (Incl. Ref. #1, 2 & 4)	1

Ref. No.	Part No.	Description	No. Used
4	251-332	Spacer - Inner	1
5	76-1890	13" Segmented Tire Assy. (Incl. Ref. #1, 2 & 6)	1
6	251-333	Spacer - Inner	1

TORO PART NUMBER INDEX

3316-682

Part No.	Description	Pg. Ref. No. No. Qty.	Part No.	Description	Pg. Ref. No. No. Qty.
3-2858	Disc - Friction	18 2 1	40-4080	Track - U	3 6 1
3-3251	Spring - Compression	4 45 1	40-4090	Rivet - Pop	3 5 2
3-3710	Tie Rod Assembly	75 39 1	40-4120	Plate - Rubber	3 7 1
3-6498	Washer	84 34 1	40-4150	Roller	3 11 1
3-6498	Washer - Flat	82 58 1	40-4160	Guide - Sleeve	3 12 1
3-8514	Washer	93 3 1	40-4230	Plug	3 17 1
3-8596	Spring - Compression	18 12 1	40-4310	Bearing - Thrust Needle	3 25 1
5-0838	Washer - Flat	80 18 16	40-4340	Spring - Extension	3 28 1
5-0838	Washer - Flat	90 24 32	40-4350	Spring - Extension	3 29 2
5-0838	Washer - Flat	83 30 3	40-4360	Plate	3 30 1
5-0838	Washer - Flat	84 40 3	40-4370	Bolt	3 31 1
5-3177	Washer - Flat	23 7 4	40-4380	Bracket - Release	3 32 2
5-3637	Spacer - Terminal	22 4 1	40-9520	Spacer - Split	84 12 2
5-3637	Washer - Flat	48 13 1	40-9520	Spacer - Split	83 3 2
12-8900	Bolt - Shoulder	36 32 2	41-8760	Gasket - Pump	37 49 1
13-4239	Shroud - Fan	44 9 1	42-1720	Field Core Coil Assembly	9 5 1
13-4969	Deck - Center	81 41 1	42-6200	Shim - Cushion	83 * A/R
13-4979	Right Wing Deck Assembly	84 18 1	42-6200	Shim - Cushion	84 * A/R
13-4989	Deck - Left Wing	83 12 1	43-4000	Breaker - Circuit 40A	11 10 1
13-4999	Deck - Wing R.H.	90 * 1	43-5920	Washer - Lock	48 14 1
13-5009	Deck - Wing L.H.	90 20 1	43-5970	Nut - Hex.	48 15 1
13-5059	Arm - Outside Castor	90 19 2	43-6110	Plate - Clutch	9 9 1
13-5069	Arm - Castor L.H.	80 30 1	43-6200	Spring - Compression	9 27 1
17-7190	Spacer	46 23 4	43-6280	Button	13 10 1
18-2770	Strap - Ground	72 23 1	43-6280	Button - Switch	14 12 1
19-1470	Bolt - Shoulder	81 13 4	43-6320	Collar - Locking	9 10 1
20-4360	Tube - Spacer	78 16 2	43-6420	Bezel	13 11 2
20-4840	Clamp - Exhaust	46 12 2	43-6420	Bezel - Switch	14 13 2
20-4840	Clamp - Tube	25 15 2	43-8480	Decal - Danger	83 24 1
20-9500	Spacer	4 14 2	43-8480	Decal - Danger	90 27 2
21-0140	Joint - Ball	9 20 1	43-8480	Decal - Danger	84 32 1
21-1830	Spring - Extension	7 23 1	43-8480	Decal - Danger	81 40 1
21-2070	Yoke - End	36 8 2	44-2210	Body - Indicator Light	4 5 1
21-3000	Nut - Jam	88 20 2	44-2212	Body - Indicator Light	4 12 2
21-3000	Nut - Jam	78 38 2	46-1600	Spacer	4 26 4
21-3001	Nut - Jam L.H. Thread	88 3 2	46-3380	Bolt - Shoulder	44 23 2
23-1640	Bushing - Taper Lock	81 50 1	47-6990	Nut - Hex.	4 9 1
23-1640	Bushing - Taper Lock	91 15 2	48-7630	Screw	47 72 1
23-2140	Hose - Radiator Vent	44 7 1	48-7710	Screw - Cap Hex. Hd.	37 10 8
23-2270	Bushing - Rubber	9 15 1	48-7780	Screw - Cap Hex. Hd.	2 15 4
23-7250	Spacer	72 35 1	48-7780	Screw - Cap Hex. Hd.	46 32 6
23-7270	Nut - Lug	75 24 10	48-7890	Nut - Hex.	47 73 1
25-2630	Ring - Back Up	41 63 1	48-7930	Nut - Lock	46 6 3
25-2630	Ring Back Up	40 47 1	48-8070	Washer - Lock	46 2 16
27-2360	Switch - Ignition	14 16 1	48-8070	Washer - Lock	72 29 1
27-4720	Pin - Pivot Seat	1 14 1	48-9470	Screw - Cap Hex. Hd.	46 25 8
27-4720	Pin - Pivot, Seat	2 19 1	48-9480	Screw - Cap Hex. Hd.	46 21 4
27-7120	Nut	69 3 1	48-9570	Washer - Lock	46 7 3
27-7220	Detergent - Element	69 * 1	48-9570	Washer - Lock	37 9 8
28-0380	Spacer	4 35 3	48-9590	Washer - Lock	46 22 16
28-3580	Ring - Back Up	40 44 1	49-0170	Seal Kit	5 * 1
28-3590	Seal O-Ring	40 43 1	49-2500	Element Assembly	57 21 1
29-6150	Spring - Leaf	37 43 1	49-6170	Pad - Brake	7 4 1
29-6163	Switch	28 77 1	49-6171	Pad - Brake Pedal L.H.	6 19 1
29-6163	Switch - Micro	6 13 1	49-6172	Pad - Brake Pedal R.H.	6 * 1
29-6163	Switch - Neutral	37 35 1	51-3150	Shim - Spring	38 60 A/R
29-6170	Leaf Spring Assembly	37 38 1	51-4060	Bolt - Blade	93 15 1
30-8770	Washer - Flat	90 9 8	51-4910	Bolt	51 24 2
30-8770	Washer - Flat	80 32 4	51-4910	Bolt	62 28 4
31-0390	Washer - Friction	4 15 3	51-4920	Bolt	52 1 1
37-9560	Hose - Fuel	70 1 1	51-4950	Guide	53 18 8
39-5710	Plug	2 13 21	51-5090	Plug	54 9 1
39-7591	Thermo Switch Assembly	47 66 1	51-5260	Ring - Retaining	54 30 2
39-7592	Switch - Temperature	46 5 1	51-5280	Cap	54 12 8
39-7592	Temperature Sending Unit	24 15 1	51-5290	Cotter	54 13 16
39-7650	Plate - Cover	86 59 2	51-5300	Retainer	54 14 8
40-0330	Cushion - Rubber	83 4 1	51-5310	Seal	54 15 8
40-0330	Cushion - Rubber	84 13 1	51-5350	Cap	53 21 1
40-3890	Trim	2 14 2	51-5460	Key	56 16 1
40-4010	Roller	3 1 4	51-5460	Key	54 26 1
40-4060	Washer - Rubber	3 26 1	51-5470	Plate	54 25 1
40-4070	Washer	3 24 3	51-5500	Bushing No. 1	55 5 1

*Not Illustrated

TORO PART NUMBER INDEX (Cont.)

Part No.	Description	Pg. Ref. No. No. Qty.	Part No.	Description	Pg. Ref. No. No. Qty.
51-5510	Bushing - No. 2	55 26 1	51-7730	Gear Pinion Assembly	49 2 1
51-5520	Bushing - No. 3	55 27 1	51-7740	Retaining Ring Assembly	49 1 1
51-5580	Hanger	55 2 1	51-7750	Gear Assembly	49 * 1
51-5600	Cap	55 3 11	51-7760	Shaft Assembly	49 23 1
51-5640	Idler Shaft Assembly	55 36 1	51-7770	Gear - Pinion	49 22 1
51-5650	Pin	56 15 1	51-7780	Cover Assembly	49 21 1
51-5650	Pin	55 21 6	51-7790	Packing	49 20 2
51-5650	Pin	55 35 1	51-7830	Cover - Rear	49 16 1
51-5840	Washer	53 12 1	51-7840	Ring - Rubber	49 15 2
51-5850	Cover	52 15 1	51-7850	Nut Assembly	50 1 1
51-5860	Gasket	52 14 1	51-7870	Screw Set	50 4 1
51-5890	Oil Seal Assembly	58 17 1	51-7890	Screw Set	50 5 1
51-5950	Stud	58 2 2	51-7910	Rotor Assembly	50 10 1
51-5970	Nut	58 4 2	51-7930	Stator	50 18 1
51-6350	Gear	56 3 1	51-7950	Terminal Assembly	50 17 1
51-6390	Washer	62 29 4	51-7960	Regulator Assembly	50 16 1
51-6390	Washer	55 33 1	51-7970	Brush	50 15 2
51-6390	Washer - Lock	52 2 11	51-8270	Washer	55 29 1
51-6390	Washer - Lock	58 3 13	51-8280	Bolt	55 28 1
51-6390	Washer - Lock	48 9 2	51-8590	Washer	48 3 1
51-6390	Washer - Lock	62 9 2	51-8610	Washer - Lock	56 5 4
51-6390	Washer - Lock	51 14 2	51-8610	Washer - Lock	48 11 2
51-6390	Washer - Lock	51 18 4	51-8640	Bolt	48 8 2
51-6390	Washer - Lock	51 23 4	52-9230	Ring - Retaining	5 3 1
51-6390	Washer - Lock	57 27 4	52-9240	Bushing - Gland Seal	5 4 1
51-6400	Plate	52 7 1	52-9250	Needle Bearing Kit	5 * 1
51-6430	Bushing	52 10 1	52-9260	Screw - Set	5 1 1
51-6480	Cover	55 9 1	52-9270	Seat - Check Ball	5 24 1
51-6490	Gasket	55 10 1	52-9280	Ball - Check	5 22 1
51-6820	Washer	57 24 1	52-9290	Retainer - Check Ball	5 21 1
51-6830	Relief Valve Assembly	57 25 1	56-7971	Clamp Half - Hydraulic Line	30 26 2
51-6890	Gasket	53 14 1	56-7972	Clamp Half - Hydraulic Line	30 20 4
51-6890	Gasket - Plug	58 15 1	56-7973	Clamp Half - Hydraulic Line	30 19 20
51-6910	Nut	51 32 1	56-7973	Clamp Half - Hydraulic Line	28 44 4
51-6920	Washer - Lock	51 21 2	56-7973	Clamp Half - Hydraulic Line	86 57 6
51-6920	Washer - Lock	51 31 1	56-7974	Clamp - Hydraulic Lines	72 31 2
51-6940	Ring	51 28 1	56-7974	Clamp Half - Hydraulic Line	85 2 2
51-6950	Bearing	51 27 1	56-7974	Clamp Half - Hydraulic Line	30 17 2
51-6960	Key	51 3 1	56-7974	Clamp Half - Hydraulic Line	47 77 2
51-6980	Bearing	51 25 1	56-7978	Clamp Half - Hydraulic Line	30 25 8
51-7020	Nipple	51 6 1	56-7978	Clamp Half - Hydraulic Line	24 42 6
51-7030	Seal	51 10 1	58-3590	Pin - Flywheel	46 24 2
51-7170	Pipe	51 8 1	58-4250	Magnet	42 1 6
51-7200	Clamp	51 42 2	58-5620	Tube - Inner	32 * 2
51-7210	Gasket	51 2 2	58-6290	Poppet Assembly	20 34 3
51-7220	Gasket	51 38 1	58-6310	Spacer	20 28 3
51-7230	Thermostat	51 37 1	58-6320	Wiper - Seal	20 24 3
51-7250	Washer	59 1 4	58-6330	Seat Assy.	20 35 3
51-7250	Washer	59 6 16	58-6340	Seal - O-Ring	20 36 3
51-7250	Washer	55 8 2	58-6350	Plug Assembly	20 11 3
51-7250	Washer	57 9 3	58-6370	Washer - Back-Up	20 10 6
51-7250	Washer	55 38 1	58-6400	Bushing	20 25 3
51-7250	Washer - Lock	54 3 8	58-6420	Cap Assembly	20 30 3
51-7250	Washer - Lock	48 4 1	58-6440	Poppet	20 22 1
51-7250	Washer - Lock	53 4 2	58-6450	Seal - O-Ring	20 12 6
51-7250	Washer - Lock	58 8 28	58-6460	Ring - Retaining	20 29 3
51-7250	Washer - Lock	52 16 5	58-6470	Washer	20 18 A/R
51-7250	Washer - Lock	54 24 2	58-6480	Washer	20 19 A/R
51-7250	Washer - Lock	62 32 2	58-6490	Washer	20 20 A/R
51-7250	Washer - Lock	51 34 4	58-6700	Washer	20 26 3
51-7400	Washer	57 30 4	58-6710	Plug Assy.	20 6 1
51-7400	Washer - Lock	62 16 6	58-6720	Seal - O-Ring	20 7 1
51-7400	Washer - Lock	61 18 2	58-6730	Spring	20 27 3
51-7600	Screw Set	49 4 1	58-6750	Seal - O-Ring	20 17 1
51-7610	Packing	49 5 2	58-6760	Spring	20 3 3
51-7630	Seal - Oil	49 24 1	58-6770	Plunger - Detent	20 4 3
51-7640	Lever Assembly	49 7 1	58-6780	Plug Assy.	20 1 3
51-7650	Spring Assembly	49 8 1	58-6790	Seal - O-Ring	20 5 3
51-7660	Bracket Assembly Center	49 9 1	59-6730	Race - Bearing	5 7 2
51-7670	Solenoid	49 10 1	59-6740	Bearing - Needle Thrust	5 8 1
51-7690	Bearing	49 11 1	59-6810	Control Parts Assembly	5 * 1
51-7720	Clutch Assy.	49 * 1	59-6820	Centering Spring Kit	5 11 1

*Not Illustrated

TORO PART NUMBER INDEX (Cont.)

3316-682

Part No.	Description	Pg. Ref. No. No. Qty.	Part No.	Description	Pg. Ref. No. No. Qty.
59-6830	Kit - Centering Pin	5 20 1	60-9770	Piston	79 10 1
59-6850	Plate - Spacer	5 14 1	61-2790	Filler - Screen	23 34 1
59-6860	Drive	5 15 1	61-4990	Ring - Retaining	79 3 1
59-6890	Cap - End	5 18 1	62-5550	Decal	4 47 1
59-6910	Connector	48 6 1	62-6450	Kit - Retaining Ring	35 28 1
59-7580	Nut - Hex.	26 24 8	62-6460	Sealant - RTV (Tube)	35 * 1
59-7590	Washer - Lock	26 12 16	62-7650	Gasket - Level Sensing Unit	22 1 1
59-7970	Stud - Threaded	26 23 8	63-0660	Pulley - Drive	82 51 1
59-7990	Seal - Gland	26 3 4	63-0660	Pulley - Wing Deck Drive	91 14 2
59-8470	Retainer - Seal	26 4 4	63-1540	Pulley - Idler	81 15 3
59-8500	Gear/Shaft - Front Drive	26 17 1	63-1540	Pulley - Idler	91 24 6
59-8570	Seal - Shaft	26 22 1	63-4740	Bolt	53 7 17
59-8580	Ring - Retaining	26 21 1	63-7430	Gauge - Temperature	13 8 1
59-8590	Seal - Shaft	26 20 1	63-7590	Relay	72 19 1
59-8600	Gear - Driven	26 9 2	63-8280	Head - Fuel Filter	70 4 1
59-8610	Repair Kit	26 * 1	63-8290	Vent - Air	70 5 1
60-3780	Seal Kit	20 *	63-8310	Valve - Drain	70 8 1
60-3810	Shaft - Input	35 2 1	63-8360	Key - Ignition	14 11 1
60-3830	Seal - Oil	35 4 1	66-1340	Decal - Danger	83 23 1
60-3840	Cone - Bearing	35 5 1	66-1340	Decal - Danger	84 33 1
60-3850	Cup - Bearing	35 6 2	66-1340	Decal - Danger	90 37 2
60-3860	Bolt - Wheel	35 7 9	66-1340	Decal - Danger	82 60 1
60-3870	Hub	35 8 1	66-2490	Hold-Down - Battery	72 16 2
60-3880	Cone - Bearing	35 9 1	66-2940	Gauge - Fuel	13 25 1
60-3890	Bolt - Hex. Hd.	35 10 6	66-2950	Hourmeter	13 26 1
60-3900	Gear - Ring	35 24 1	66-3241	Cap - Radiator	44 5 1
60-3910	Washer - Flat	35 11 6	66-6140	Decal - TORO	43 27 1
60-3930	Ring - Retaining	35 25 2	66-8530	Track - Adjustment	2 3 1
60-3940	Washer	35 26 2	67-4510	Sending Unit - Temperature	46 4 1
60-3950	Spring - Disengage	35 27 1	67-5360	Decal - Danger	83 25 1
60-3960	Primary Carrier Assembly	35 15 1	67-5360	Decal - Danger	84 31 1
60-3970	Gear - Primary Sun	35 13 1	67-5360	Decal - Danger	90 39 4
60-3980	Washer - Thrust	35 12 1	67-7160	Block - Fuse	11 24 4
60-3990	Washer - Thrust	35 23 1	67-7561	Cup - Anti Scalp	93 13 1
60-4000	Secondary Carrier Assy.	35 20 1	67-9560	Shell - Seat	1 2 1
60-4010	Plunger - Disengage	35 22 1	68-6150	Breather	44 50 1
60-4020	Seal - O-Ring	35 21 1	68-7571	Strip - Sealing	23 24 1
60-4030	Bolt - Hex. Hd.	35 17 8	68-7572	Strip - Sealing	22 18 1
60-4040	Plug - Pipe	35 16 1	68-8080	Wheel - Steering	4 10 1
60-4050	Cover - Large	35 19 1	69-0030	Spring - Compression	36 30 2
60-4060	Cover - Disengage	35 18 1	69-0040	Foam - Lower Grille	42 20 1
60-4070	Bolt - Hex. Hd.	35 14 2	69-0060	Screw - Cap Hex. Hd.	72 28 1
60-5210	Clamp	62 15 2	69-0060	Screw - Cap Hex. Hd.	46 39 16
60-5340	Cover Assembly - Front	50 7 1	69-0090	Pin - Clevis Engine End	18 * 1
60-5360	Bearing	50 11 1	69-0100	Frame - Assembly	28 49 1
60-5370	Rectifier Assembly	50 13 1	69-0750	Switch - Brake	7 22 1
60-5380	Cover Assembly - Rear	50 12 1	69-0760	Bracket - Arm Rest L.H.	1 * 1
60-5720	Seal - O-Ring	20 9 6	69-0770	Bracket - Arm Rest R.H.	1 18 1
60-6450	Disc	20 2 A/R	69-0820	Decal - H.O.C.	82 57 1
60-7040	Bolt	51 40 2	69-0880	Decal - Torque	80 31 1
60-7110	Bolt	57 10 3	69-0880	Decal - Torque	90 38 2
60-7110	Bolt	52 18 1	69-0890	Decal - Belt Routing L.H.	90 36 1
60-7110	Bolt	54 23 2	69-0900	Decal - Belt Routing R.H.	90 * 1
60-7110	Bolt	55 37 1	69-0920	Decal - Hydraulic Oil	30 8 1
60-7120	Nut - Hex.	61 3 12	69-0930	Decal - Warning	22 12 1
60-7160	Rivet	60 1 2	69-0940	Decal - Caution	30 39 1
60-7210	Bolt	52 6 1	69-0950	Decal - 580D	43 26 2
60-7280	Bolt	54 2 4	69-0960	Panel - Diagnostic	29 4 1
60-7280	Bolt	53 3 2	69-0970	Panel - Control	4 46 1
60-7280	Bolt	55 7 2	69-0980	Panel - Lever	14 1 1
60-7280	Bolt	58 9 23	69-0990	Panel - Control	14 6 1
60-7280	Bolt	62 31 2	69-1130	Louver - Middle	42 8 1
60-7280	Bolt	51 35 1	69-1140	Louver - Lower	42 31 1
60-7290	Bolt	57 29 4	69-1170	Gauge - Sight	23 2 1
60-7370	Bolt	59 2 4	69-1180	Armrest	1 20 2
60-7370	Bolt	48 5 1	69-1380	Panel - Side R.H.	43 * 1
60-7370	Bolt	59 7 16	69-1390	Panel - Side L.H.	43 12 1
60-7370	Bolt	58 12 5	69-1510	Spacer - Caster	80 2 12
60-7480	Bolt	62 10 2	69-1510	Spacer - Castor	90 35 48
60-7480	Bolt	57 26 4	69-1530	Housing - Spindle	93 8 1
60-9760	Nut - Lock	79 11 1	69-1540	Pivot - Spring	78 34 1
60-9760	Nut - Lock	87 13 1	69-1560	Lever - Lock	4 1 1

*Not Illustrated

TORO PART NUMBER INDEX (Cont.)

Part No.	Description	Pg. Ref. No. No. Qty.	Part No.	Description	Pg. Ref. No. No. Qty.
69-1580	Anchor - Latch L.H.	86 55 1	69-2340	Pin - Dowel	39 14 2
69-1600	Anchor - Latch R.H.	86 * 1	69-2350	Ring - Sealing	39 19 1
69-1610	Adapter - Suction Hose	23 8 1	69-2360	Screw	39 23 4
69-1630	Arm - Latch Pivot	88 12 4	69-2370	Washer	39 22 4
69-1640	Radiator	44 12 1	69-2380	Screw	39 24 4
69-1650	Screen - Suction	23 17 1	69-2390	Washer	39 25 4
69-1660	Mount - Engine	46 40 4	69-2400	Seal - O-Ring	39 29 1
69-1670	Cooler - Oil	44 32 1	69-2410	Plug	39 1 2
69-1680	Fan	47 62 1	69-2420	Seal - O-Ring	39 2 2
69-1690	Clutch - Fan	47 64 1	69-2430	Spring - Compression	39 5 1
69-1700	Hydraulic Filter Assembly	24 19 1	69-2440	Orifice	39 4 1
69-1710	Indicator - Filter	24 25 1	69-2450	Piston	39 3 1
69-1720	Element - Filter	24 21 1	69-2460	Cap	39 6 1
69-1730	Planetary Gear Drive Assy.	32 32 2	69-2470	Gasket - Cap	39 7 1
69-1740	Spindle	35 3 1	69-2480	Screw - Set	39 8 1
69-1750	Fuel Filter Assembly	46 44 1	69-2490	Spring - Compression	39 9 1
69-1750	Fuel Filter Assembly	70 * 1	69-2500	Poppet	39 10 1
69-1760	Sensor - Water	70 9 1	69-2510	Seat	39 11 1
69-1770	Element - Spin-On	70 11 1	69-2520	Plug - Pipe	39 31 1
69-1780	Lift Valve Assembly	19 2 1	69-2530	Seal - O-Ring	39 12 1
69-1790	Plunger	20 37 2	69-2540	Cover Assembly	39 13 1
69-1800	Plug Assembly	20 32 3	69-2550	Repair Kit - Pump	39 * 1
69-1810	Spring	20 33 3	69-2560	Repair Kit - Pump & Divider	39 * 1
69-1820	Spring - Black	20 21 1	69-2570	Head	79 4 1
69-1830	Plug Assembly	20 16 1	69-2580	Shaft w/clevis	79 1 1
69-1840	Plunger	20 31 1	69-2640	Master Cylinder Assembly	7 9 1
69-1850	Valve - Power Steering	4 28 1	69-2650	Boot - Rod	8 1 1
69-1860	Gerotor	5 16 1	69-2660	Ring - Retaining	8 2 1
69-1870	Screw - Cap	5 19 7	69-2670	Piston Assembly	8 * 1
69-1880	Spacer	5 17 1	69-2740	Bail - Cover	8 12 1
69-1890	Air Cleaner Assembly	46 15 1	69-2750	Cover - Reservoir	8 9 1
69-1900	Element Assembly	69 5 1	69-2760	Gasket - Diaphragm	8 10 1
69-1910	Clamp Assembly	69 4 1	69-2770	Seat - Tube	8 11 1
69-1920	Baffle	69 2 1	69-2780	Motor - Hydraulic	81 11 1
69-1930	Cup Assembly	69 1 1	69-2780	Motor - Hydraulic	91 13 2
69-1940	Indicator - Electrical	47 71 1	69-2790	Body Assembly	92 10 1
69-1950	Band - Air Cleaner	46 28 2	69-2800	Cover Assembly	92 3 1
69-1960	Hydraulic Cylinder Assembly	75 42 2	69-2810	Plate - Gear	92 9 1
69-1960	Steering Cylinder (Complete)	77 * 2	69-2820	Shaft/Gear - Idler	92 16 1
69-1970	Joint - Ball	77 17 1	69-2830	Shaft/Gear - Drive	92 8 1
69-1980	Nut - Jam	77 16 1	69-2840	Plate - Wear	92 7 2
69-1990	Nut - Lock	77 14 1	69-2850	Seal - Load	92 6 2
69-2000	Piston	77 11 1	69-2860	Seal - Oil	92 13 1
69-2020	Rod - Piston	77 4 1	69-2870	Pin - Dowel	92 15 4
69-2030	Ring - Head	77 7 1	69-2880	Key - Square	92 11 1
69-2050	Hydraulic Pump Assembly	25 8 1	69-2890	Screw - Hex. Socket Hd.	92 1 4
69-2060	Shaft End Cover Assembly	26 18 1	69-2900	Plug - Pipe	92 14 2
69-2070	Plate - Flex	26 5 4	69-2910	Washer	92 2 4
69-2080	Center Section Assembly	26 7 2	69-2920	Seal - Square	92 5 2
69-2090	Gear/Shaft - Rear Drive	26 8 1	69-2930	Ring - Retaining	92 12 1
69-2100	Rear Cover Assembly	26 11 1	69-2940	Repair Kit	92 * 1
69-2110	Coupling	26 1 1	69-2960	Hub - Rear Wheel	75 19 2
69-2120	Seal - O-Ring	26 10 2	69-2970	Cap - Hub	75 27 2
69-2130	Plug	26 19 1	69-2980	Seal - Inner	75 32 2
69-2140	Screw - Cap Hex. Hd.	26 14 4	69-2990	Screw - Drive	75 18 10
69-2150	Screw - Cap Hex. Hd.	26 13 4	69-3010	Strap - Hold Down	43 6 4
69-2160	Port Section Assembly	26 16 1	69-3020	Handle - Latch	42 16 2
69-2170	Adapter Section Assembly	26 2 1	69-3020	Latch	44 20 8
69-2200	Seal - O-Ring	26 6 2	69-3030	Strike - Latch	42 13 8
69-2210	Seal - O-Ring	26 15 1	69-3040	Variable Displacement Pump	37 1 1
69-2220	Pump/Valve	37 52 1	69-3050	Motor - Hydraulic Wheel	33 44 2
69-2230	Flow Divider Assembly	39 30 1	69-3070	Washer - Lock	41 62 10
69-2240	Screw	39 32 4	69-3070	Washer - Plain	34 2 10
69-2250	Bearing - Sleeve	39 20 4	69-3080	Plug	41 60 6
69-2260	Seal - Load	39 17 1	69-3090	Adapter - Suction	41 79 1
69-2270	Seal - Pre-Load	39 18 1	69-3100	Screw	41 82 1
69-2280	Shaft/Gear - Idler	39 15 1	69-3110	Screw	41 73 2
69-2290	Shaft/Gear - Drive	39 28 1	69-3120	Plug	41 95 1
69-2300	Ring - Retaining	39 26 1	69-3130	Plug	40 9 1
69-2310	Seal - Shaft	39 27 1	69-3130	Plug - Hole	34 33 1
69-2320	Plate - Wear	39 16 1	69-3140	Bracket - Lifting	41 58 1
69-2330	Body Assembly	39 21 1	69-3150	Screw - Hex. Hd.	41 61 10

*Not Illustrated

TORO PART NUMBER INDEX (Cont.)

3316-682

Part No.	Description	Pg. Ref. No. No. Qty.	Part No.	Description	Pg. Ref. No. No. Qty.
69-3150	Screw Hex. Hd.	34 1 10	69-3870	Handle - Control Valve	40 50 1
69-3160	Seal - O-Ring	41 74 3	69-3880	Spring - Neutral Return	40 45 1
69-3170	Ring - Retaining	34 19 2	69-3890	Bracket - Neutral Return	40 48 1
69-3170	Ring - Retaining	40 31 2	69-3900	Washer	40 51 1
69-3180	Shaft Pump	40 37 1	69-3910	Cylinder Block Assembly	40 39 1
69-3190	Seal - Lip	34 18 1	69-3910	Cylinder Block Kit	34 27 1
69-3190	Seal - Lip	40 30 1	69-3920	Piston Ring & O-Ring Kit	34 * 1
69-3200	Ring - Retaining	34 17 2	69-3940	Plug	34 29 1
69-3200	Ring - Retaining	40 29 2	69-3950	Shaft - Motor	34 25 1
69-3210	Bearing - Ball	34 20 1	69-3960	Screw	34 21 1
69-3210	Bearing - Ball	40 32 1	69-3970	Bearing - Journal	34 22 2
69-3220	Screw	40 28 1	69-3980	Swashplate - Variable	34 24 1
69-3230	Pin - Spring	40 12 1	69-3990	Plate - Motor Valve	34 28 1
69-3230	Pin - Spring	34 32 1	69-4020	Piston - Servo	34 37 1
69-3240	Bearing - Journal	40 25 2	69-4030	Spring - Servo	34 40 1
69-3250	Swashplate - Variable	40 24 1	69-4040	Stop - Servo Piston	34 42 1
69-3360	Plate - Valve L.H.	40 40 1	69-4060	Counterbalance Manifold	21 * 1
69-3370	Bearing - Needle	40 13 1	69-4060	Counterbalance Manifold	19 26 1
69-3370	Bearing - Needle	34 31 1	69-4070	Manifold - Counter Balance	21 14 1
69-3390	Gerotor Assembly	41 89 1	69-4080	Valve - Hydraulic Cartridge	21 1 1
69-3400	Screw Hex. Hd.	41 83 3	69-4090	Valve - Hydraulic Cartridge	21 36 1
69-3410	Adapter - A Flange	41 85 1	69-4100	Valve - Hydraulic Cartridge	21 15 1
69-3420	Ring - Temper Load	41 86 1	69-4110	Valve - Hydraulic Cartridge	21 30 2
69-3430	Key - Woodruff	41 84 1	69-4120	Valve - Hydraulic Cartridge	21 10 1
69-3440	Seal - O-Ring	41 87 1	69-4130	Plug - Orifice .047	21 39 2
69-3450	Pin	34 30 1	69-4140	Plug - Orifice .120	21 38 1
69-3450	Pin	40 41 1	69-4150	PTO Manifold Assembly	74 * 1
69-3460	Plug Expansion	41 80 1	69-4150	PTO Manifold Assembly	72 1 1
69-3470	Pin	40 36 1	69-4170	Valve - Cartridge (600 lbs)	73 5 3
69-3500	Bearing - Sleeve	34 13 1	69-4180	Valve - Cartridge (3000 lbs)	73 8 3
69-3500	Sleeve - Bearing	40 34 1	69-4190	Valve - Cartridge (20 lbs)	73 40 3
69-3510	Pin	34 14 1	69-4200	Valve - Cartridge (75 lbs)	73 38 3
69-3510	Pin	40 35 1	69-4220	Plug - Orifice	74 47 1
69-3520	Pin	40 26 2	69-4230	Cartridge Valve Seal Kit	74 * 6
69-3520	Pin - Spring	34 23 2	69-4230	Kit - Seal	21 2 2
69-3530	Plug - Orifice	41 75 1	69-4240	Kit - Seal	21 11 1
69-3540	Cover - Gerotor	41 88 1	69-4250	Kit - Seal	21 29 3
69-3550	Pin	41 81 1	69-4260	Solenoid Valve Seal Kit	74 * 3
69-3560	Seal - O-Ring	34 38 2	69-4270	Cartridge Valve Seal Kit	74 * 6
69-3560	Seal - O-Ring	41 55 2	69-4280	Tube - Hydraulic Vent	23 33 1
69-3570	Ring - Piston	34 39 2	69-4320	Fitting - Hydraulic 90° Elbow	81 8 1
69-3570	Ring - Piston	41 56 2	69-4400	Carrier - Wing Deck	86 54 1
69-3580	Guide - Spring	40 8 1	69-4780	Clamp - Gauge	13 23 2
69-3590	Ring - Retaining	40 7 1	69-5350	Hose - Air Cleaner Inlet	46 13 1
69-3600	Nut - Hex.	40 6 1	69-5360	Hose - Air Cleaner	46 17 1
69-3610	Nut - Jam	40 5 1	69-5370	Hose - Auxiliary Suction	23 14 1
69-3620	Cover - Servo Adjustment	40 1 1	69-5380	Hose - Upper Radiator	44 4 1
69-3630	Nut Special	40 2 1	69-5390	Hose - Lower Radiator	44 10 1
69-3640	Cover - Servo	40 3 1	69-5410	Manifold - Return	24 10 1
69-3650	Piston - Servo	40 53 1	69-5430	Pulley - Idler	84 7 1
69-3660	Screw - Special	41 91 1	69-5430	Pulley - Idler	81 25 1
69-3670	Spring - Compression Servo	41 93 1	69-5440	Hose - Hydraulic	78 12 3
69-3680	Stop - Servo	41 92 1	69-5440	Hose - Hydraulic	24 30 1
69-3690	Bearing	41 54 2	69-5440	Hose - Hydraulic	38 58 1
69-3700	Guide - Spring	41 90 1	69-5450	Hose - Hydraulic	38 56 1
69-3710	Gasket - Servo	40 4 2	69-5460	Hose - Hydraulic	37 18 1
69-3710	Gasket - Servo Cover	34 41 2	69-5460	Hose - Hydraulic	24 14 1
69-3720	Cover - Servo	34 43 2	69-5470	Hose - Hydraulic	27 16 1
69-3720	Cover Servo	41 57 1	69-5470	Hose - Hydraulic	38 57 1
69-3730	Valve - Relief	41 78 2	69-5480	Hose - Hydraulic	27 17 1
69-3740	Spring - Compression	41 72 2	69-5480	Hose - Hydraulic	38 59 1
69-3750	Seal - O-Ring	41 77 2	69-5490	Hose - Cylinder	85 39 4
69-3760	Plug Special	41 71 2	69-5500	Hose - Hydraulic	4 33 4
69-3770	Shim	41 69 1	69-5510	Hose - Hydraulic	75 1 4
69-3780	Plug	41 67 1	69-5590	Hose - Hydraulic	73 1 2
69-3790	Spring Compression	41 70 1	69-5590	Hydraulic Hose Assembly	25 1 2
69-3800	Valve	41 65 1	69-5600	Hose - Hydraulic	73 9 1
69-3810	Valve - By Pass	41 66 1	69-5610	Hose - Hydraulic	73 17 1
69-3820	Sleeve - Control Valve	40 42 1	69-5620	Hose - Hydraulic	44 29 1
69-3830	Spool - Rotary Valve	40 46 1	69-5640	Hose - Hydraulic	25 12 1
69-3840	Seal - O-Ring	40 52 1	69-5640	Hose - Suction	23 12 1
69-3860	Screw - Flange Hd.	40 49 1	69-5650	Hose - Hydraulic	24 18 1

*Not Illustrated

TORO PART NUMBER INDEX (Cont.)

Part No.	Description	Pg. Ref. No. No. Qty.	Part No.	Description	Pg. Ref. No. No. Qty.
69-5650	Hose - Hydraulic	37 22 1	69-6150	Tube - Hydraulic R.H.	85 * 1
69-5660	Hose - Hydraulic	27 11 2	69-6160	Tube - Hydraulic	73 11 1
69-5660	Hose - Hydraulic Diagnostic	29 5 1	69-6170	Tube - Hydraulic	73 21 1
69-5660	Hose - Hydraulic Diagnostic	21 25 1	69-6170	Tube - Hydraulic L.H.	85 6 1
69-5661	Hose - Hydraulic Diagnostic	29 11 1	69-6180	Tube - Hydraulic	73 20 1
69-5662	Hose - Diagnostic	73 44 2	69-6180	Tube - Hydraulic L.H.	85 22 1
69-5662	Hose - Hydraulic Diagnostic	29 9 2	69-6190	Tube - Hydraulic	27 23 1
69-5663	Hose - Diagnostic	28 69 1	69-6200	Tube - Hydraulic	27 22 1
69-5663	Hose - Hydraulic	37 50 1	69-6220	Hex. - Belt - Deck Drive	82 * 1
69-5664	Hose - Diagnostic	28 70 1	69-6240	Fitting - Hydraulic 90°	25 3 2
69-5664	Hose - Hydraulic Diagnostic	29 7 1	69-6250	Engine - Assembly	46 9 1
69-5665	Hose - Hydraulic Diagnostic	29 10 1	69-6260	Magnet	11 6 1
69-5670	Cable - Brake	6 22 2	69-6260	Magnet - Cover	83 15 2
69-5680	Tube - Hydraulic	19 20 1	69-6260	Magnet - Cover	84 15 2
69-5680	Tube - Hydraulic	21 9 1	69-6260	Magnet - Cover	81 32 4
69-5700	Tube - Hydraulic	19 18 1	69-6260	Magnet - Cover	91 20 8
69-5710	Tube - Hydraulic	21 20 1	69-6270	Fork - Castor	80 24 2
69-5720	Tube - Hydraulic	19 17 1	69-6340	Plate - Motor Mounting R.H.	91 * 1
69-5730	Tube - Hydraulic	21 33 1	69-6360	Plate - Motor Mounting L.H.	91 3 1
69-5740	Tube - Hydraulic	19 19 1	69-6390	Plate - Gearbox	82 52 1
69-5760	Hose - Hydraulic L.H.	32 8 2	69-6420	Bar - Lift L.H.	90 18 1
69-5770	Hose - Hydraulic R.H.	32 * 2	69-6470	Bushing - Flange	89 5 8
69-5790	Tube - Hydraulic	27 37 1	69-6470	Bushing - Flange	75 6 6
69-5800	Tube - Hydraulic	23 20 1	69-6470	Bushing - Flange	90 16 20
69-5800	Tube - Hydraulic	30 28 1	69-6470	Bushing - Flange	80 26 4
69-5810	Tube - Hydraulic Return	28 * 1	69-6470	Bushing - Flange	78 29 4
69-5820	Tube - Hydraulic	21 31 1	69-6470	Bushing - Flange	85 30 4
69-5830	Tube - Hydraulic	21 32 1	69-6480	Bar - Lift R.H.	90 * 1
69-5850	Tube - Hydraulic	21 18 1	69-6490	Plate - Tension	81 43 1
69-5860	Tube - Hydraulic	19 16 1	69-6550	Arm - Tension	81 38 1
69-5860	Tube - Hydraulic	21 34 1	69-6610	Arm - Idler	81 23 1
69-5870	Tube - Hydraulic	19 22 1	69-6610	Idler Arm Assembly	84 27 1
69-5870	Tube - Hydraulic	21 28 1	69-6640	Hinge - Left Front	83 13 1
69-5890	Tube - Hydraulic	21 5 1	69-6670	Hinge - Left Rear	83 17 1
69-5890	Tube - Hydraulic	19 21 1	69-6690	Hinge - Right Front	84 28 1
69-5900	Tube - Hydraulic	44 31 1	69-6710	Hinge - Right Rear	84 23 1
69-5910	Tube - Hydraulic	21 19 1	69-6730	Skid	83 7 1
69-5910	Tube - Hydraulic Diagnostic	29 6 1	69-6730	Skid	90 21 4
69-5920	Tube - Diagnostic	29 8 1	69-6730	Skid	84 29 1
69-5920	Tube - Hydraulic	21 37 1	69-6760	Shaft - Spindle	93 10 1
69-5930	Tube - Hydraulic R.H.	32 * 1	69-6780	Cover - Center Left	81 30 1
69-5940	Tube - Hydraulic L.H.	32 2 1	69-6790	Cover - Center Right	82 54 1
69-5950	Tube - Hydraulic	24 32 1	69-6800	Cover - Inner L.H.	91 1 1
69-5950	Tube - Hydraulic	28 57 1	69-6810	Cover - Outer L.H.	91 16 1
69-5970	Tube - Hydraulic R.H.	85 * 1	69-6820	Cover - Inner R.H.	91 * 1
69-5980	Tube - Hydraulic L.H.	85 21 1	69-6830	Cover - Outer R.H.	91 * 1
69-5990	Tube - Hydraulic	24 12 1	69-6840	Cover - Right Wing	84 2 1
69-5990	Tube - Hydraulic	86 53 1	69-6850	Cover - Left Wing	83 22 1
69-6000	Tube - Hydraulic	24 11 1	69-6860	Washer - Castor	80 25 8
69-6000	Tube - Hydraulic	86 49 1	69-6860	Washer - Thrust	90 33 28
69-6010	Tube - Hydraulic	76 50 1	69-6870	Plate - Magnet	84 3 2
69-6020	Tube - Hydraulic	76 51 1	69-6870	Plate - Magnet	91 18 8
69-6030	Tube - Hydraulic	27 35 1	69-6870	Plate - Magnet	83 21 2
69-6030	Tube - Hydraulic	86 46 1	69-6870	Plate - Magnet	81 31 4
69-6040	Tube - Hydraulic	27 34 1	69-6890	Spacer - Spring	81 47 1
69-6040	Tube - Hydraulic	86 50 1	69-6900	Shaft - Hinge	83 14 1
69-6050	Tube - Hydraulic	27 33 1	69-6900	Shaft - Hinge	84 20 1
69-6050	Tube - Hydraulic	86 51 1	69-6910	Bracket - Support	84 11 1
69-6060	Tube - Hydraulic	27 38 1	69-6910	Bracket - Support	83 19 1
69-6060	Tube - Hydraulic	86 47 1	69-6920	Blade - 20	93 12 1
69-6070	Tube - Hydraulic	30 36 1	69-6960	Spacer - Idler	81 14 4
69-6070	Tube - Hydraulic	86 48 1	69-6960	Spacer - Idler	91 23 6
69-6080	Tube - Hydraulic	30 35 1	69-6970	Spacer - Idler	84 17 1
69-6080	Tube - Hydraulic	86 52 1	69-6970	Spacer - Idler	81 26 1
69-6090	Tube - Hydraulic	30 27 1	69-6980	Valve - Check	4 38 1
69-6100	Tube - Hydraulic Pressure	28 50 1	69-6990	Lever - Valve Mid.	19 * 1
69-6110	Hydraulic Tube Assembly	25 13 1	69-7000	Lever - Valve R.H.	19 * 1
69-6120	Tube - Hydraulic	30 16 1	69-7010	Lever - Valve L.H.	19 5 1
69-6130	Tube - Hydraulic	30 15 1	69-7040	Holder - Cup	11 13 1
69-6140	Tube - Hydraulic	73 45 1	69-7100	Support - Radiator Lower	44 24 1
69-6140	Tube - Hydraulic R.H.	85 * 1	69-7120	Grille - Upper	42 27 1
69-6150	Tube - Hydraulic	73 46 1	69-7150	Grille - Lower	42 23 1

*Not Illustrated

TORO PART NUMBER INDEX (Cont.)

3316-682

Part No.	Description	Pg. Ref. No. No. Qty.	Part No.	Description	Pg. Ref. No. No. Qty.
69-7170	Clevis - Deck	90 10 2	69-9070	Bracket - Clamp	47 58 1
69-7200	Tube - Vent	22 14 1	69-9100	Washer - Latch	88 7 2
69-7210	Tube - Latch	88 5 2	69-9110	Rod - Engine Run Solenoid	46 49 1
69-7290	Mount - Ball Joint	80 5 2	69-9120	Rod - Hood Prop	72 5 1
69-7420	Axle - Rear	75 16 1	69-9130	Bracket - Throttle	18 11 1
69-7570	Bracket - Front Engine	46 * 1	69-9140	Link - Valve Lever	19 6 3
69-7580	Bracket - Front Engine	46 42 1	69-9150	Shaft - Valve Lever	19 9 1
69-7610	Bracket - Muffler	46 18 1	69-9160	Bracket - Brake Switch	7 21 1
69-7650	Pedal - Traction	9 24 1	69-9180	Pin - Cylinder	78 17 2
69-7700	Pedal - Brake	7 3 1	69-9190	Bushing - Cylinder	85 38 2
69-7700	Pedal - Brake	6 20 2	69-9190	Tube - Cylinder Bushing	78 15 2
69-7720	Pawl - Brake	6 7 1	69-9200	Pin - Brake Pawl	6 8 1
69-7740	Support - Steering Gear	4 21 1	69-9210	Lever - Brake Latch	6 4 1
69-7760	Link - Steering Gear	4 19 1	69-9220	Support - Tube Clamp	25 17 2
69-7790	Pin - Brake Arm	6 11 1	69-9230	Shaft - Steering Pivot	4 2 1
69-7810	Bracket - Valve	19 11 1	69-9240	Roller - Cam	89 16 2
69-7840	Mount - Brake Arm	6 16 1	69-9250	Shaft - Roller	89 18 2
69-7880	Arm - Brake L.H.	6 23 1	69-9260	Pin - Clevis	80 29 2
69-7890	Arm - Brake R.H.	6 2 1	69-9290	Pad - Bumper	81 17 2
69-7920	Support - Lift Arm L.H.	78 27 2	69-9300	Cushion - Rubber	89 8 2
69-7940	Support - Lift Arm R.H.	78 4 2	69-9300	Cushion - Rubber	85 34 2
69-7960	Support - Axle	75 12 2	69-9300	Cushion - Rubber	28 41 2
69-8040	Arm - Throttle	18 4 1	69-9310	Plate - Lever	14 20 1
69-8080	Cover - Tool Box	10 3 1	69-9330	Cover	30 1 1
69-8110	Box - Tool	10 1 1	69-9340	Rod - Brake	7 15 1
69-8160	Tower - Steering	4 31 1	69-9350	Bracket - Hood Prop Rod	72 2 1
69-8210	Support - Cover	11 26 1	69-9360	Bracket - Fuel Filter	47 53 1
69-8230	Bracket - Trim L.H.	43 17 1	69-9370	Louver - Top	42 6 2
69-8250	Bracket - Trim R.H.	43 20 1	69-9390	Shaft - Pedal	9 11 1
69-8290	Frame - Battery	72 33 1	69-9400	Bracket - Hose Support	76 49 1
69-8390	Pulley - Spindle	93 4 1	69-9420	Muffler	46 11 1
69-8410	Screw - Cap Hex. Hd.	46 34 4	69-9430	Foam - Tool Box	10 2 1
69-8420	Washer - Lock	46 35 4	69-9440	Panel - Steering Tower	4 4 1
69-8430	Hose - Hydraulic	44 18 2	69-9450	Bracket - Wing Hose L.H.	85 7 1
69-8440	Hose - Hydraulic	78 9 1	69-9460	Bracket - Wing Hose R.H.	85 * 1
69-8440	Hose - Hydraulic	24 31 1	69-9470	Cover - Access	28 63 1
69-8450	Hose - Hydraulic	44 30 1	69-9480	Bracket - Neutral Device	37 28 1
69-8460	Fitting - Hydraulic Straight	47 55 2	69-9520	Panel - Rear	43 9 1
69-8470	Spring - Torsion	78 32 1	69-9530	Bracket - Air Cleaner	46 29 1
69-8480	Spring - Compression	88 6 2	69-9540	Bracket - Steering Gear	4 18 1
69-8490	Bracket - Throttle Cable	46 36 1	69-9550	Plate - Adapter	46 31 1
69-8500	Shim - Hinge Bracket	43 21 6	69-9560	Housing - Control	11 1 1
69-8510	Cover - Steering Tower	4 41 1	69-9570	Front Lift Arm Assy. R.H.	78 43 1
69-8520	Bracket - Hinge	43 28 2	69-9580	Front Lift Arm Assy. L.H.	78 39 1
69-8590	Support - Radiator Upper	44 2 1	69-9650	Screen - Cowl	42 9 2
69-8650	Cowl - Radiator	42 10 1	69-9680	Shaft - Latch	88 10 2
69-8690	Support - Grille	42 15 1	69-9700	Mount - Rubber	90 5 8
69-8750	Arm - Brake	7 1 1	69-9710	Nut - Lock	47 63 4
69-8790	Plate - Reinforcing	80 4 2	69-9720	Strip - Sealing	42 28 2
69-8790	Plate - Reinforcing	90 4 2	69-9721	Strip - Sealing	42 18 3
69-8830	Arm - Inside Castor	90 1 2	69-9722	Trim - Sealing	42 35 1
69-8860	Arm - Castor R.H.	80 7 1	69-9723	Seal - Hood Bottom	43 15 2
69-8890	Cap - Spindle	75 13 2	69-9724	Seal - Hood Front	43 29 1
69-8900	Spacer	28 52 2	69-9730	Switch - Toggle	14 18 1
69-8910	Washer	36 3 2	69-9740	Switch - Toggle	14 14 1
69-8910	Washer	28 51 4	69-9760	Plate - Cover	30 10 3
69-8920	Washer	30 4 4	69-9761	Plate - Clamp	72 36 1
69-8930	Washer	27 26 4	69-9761	Plate - Cover	85 13 1
69-8940	Washer	27 5 12	69-9761	Plate - Cover	30 14 5
69-8940	Washer	85 16 20	69-9761	Plate - Cover	24 43 3
69-8950	Spacer	30 5 2	69-9761	Plate - Cover	47 78 1
69-8960	Spacer	27 27 2	69-9800	Tire	32 28 2
69-8970	Spacer	85 17 10	69-9810	Joint - Ball	77 2 1
69-8970	Spacer	27 31 6	69-9880	Tire	75 22 2
69-8980	Washer	30 30 8	69-9940	Nut - Jam	32 40 4
69-8990	Spacer	30 33 4	69-9950	Spring - Extension	32 37 4
69-9000	Spacer	85 9 4	69-9960	Link	32 36 4
69-9010	Washer	85 10 8	69-9970	Stud	32 35 4
69-9020	Nut - Special	37 26 1	69-9980	Ball	32 39 6
69-9030	Post - Neutral Device	9 14 1	69-9990	Disc - Actuating	32 38 4
69-9040	Cam - Neutral Device	37 31 1	70-2800	Pulley Assembly	50 2 1
69-9050	Bar - Neutral Device	37 45 1	70-2810	Spring - Return	50 14 2

*Not Illustrated

TORO PART NUMBER INDEX (Cont.)

Part No.	Description	Pg. Ref. No. No. Qty.	Part No.	Description	Pg. Ref. No. No. Qty.
70-2820	Bolt	62 21 2	70-3420	Clip	57 5 1
70-2830	Bolt	62 20 3	70-3430	Clamp - Hose	61 5 3
70-2830	Bolt - Cap Hex. Hd.	61 17 2	70-3440	Clamp - Hose	61 9 1
70-2840	Bolt	62 17 1	70-3450	V-Belt	51 1 1
70-2850	Bolt	51 22 2	70-3460	Washer	62 40 8
70-2850	Bolt	63 42 4	70-3470	Washer - Drain Plug	58 10 1
70-2860	Bolt	52 17 4	70-3480	Stud	61 4 6
70-2860	Bolt	51 33 1	70-3490	Cover	65 41 1
70-2870	Bolt	54 1 4	70-3500	Holder	65 50 4
70-2880	Bolt	56 6 4	70-3510	Stopper	65 49 4
70-2890	Bolt	51 15 2	70-3520	Spring	65 48 4
70-2890	Bolt	55 34 1	70-3530	Gasket	65 46 4
70-2900	Bolt	58 18 11	70-3540	Valve Assembly	65 45 4
70-2900	Bolt	51 19 1	70-3550	Element Assembly	65 44 4
70-2910	Bolt	51 4 1	70-3560	Pinion	64 12 4
70-2920	Bolt	51 20 3	70-3570	Screw	64 11 4
70-2930	Bolt	52 19 9	70-3580	Sleeve	64 13 4
70-2930	Bolt	53 22 4	70-3590	Seat	64 14 4
70-2940	Bolt	48 12 2	70-3600	Spring	64 15 4
70-2950	Stud	51 30 4	70-3610	Seat	64 16 4
70-2960	Nut	62 23 2	70-3620	Body	64 19 4
70-2970	Nut	54 4 8	70-3630	Tappet Assembly	65 * 1
70-2980	Nut	62 39 4	70-3640	Pin	64 18 4
70-2990	Washer	52 3 1	70-3650	Bushing	64 20 4
70-2990	Washer	51 16 1	70-3660	Roller	64 21 4
70-2990	Washer	57 28 4	70-3670	Plug	64 22 4
70-2990	Washer	62 30 4	70-3680	Camshaft	65 30 1
70-3000	Pin	55 4 2	70-3690	Ring	64 8 1
70-3010	O-Ring	60 23 1	70-3700	Ring	65 38 1
70-3020	Ring	56 20 8	70-3710	Plate - 0.10	64 7 A/R
70-3030	Tube	57 4 1	70-3720	Plate - 0.12	64 * A/R
70-3040	Hose	61 14 1	70-3730	Plate - 0.14	64 * A/R
70-3050	Bolt	54 28 1	70-3740	Plate - 0.16	64 * A/R
70-3060	Gasket	61 1 2	70-3750	Plate - 0.18	64 * A/R
70-3070	Gasket	57 33 1	70-3760	Plate - 0.50	64 * A/R
70-3080	Gasket	55 23 1	70-3770	Plate - 0.30	64 * A/R
70-3090	Clamp	57 3 1	70-3780	Plate - 0.1	65 37 A/R
70-3090	Clamp - Hose	61 13 2	70-3790	Plate - 0.15	65 * A/R
70-3100	Plug	53 13 1	70-3800	Plate - 0.3	65 * A/R
70-3110	Plug - Drain	58 11 1	70-3810	Plate - 0.5	65 * A/R
70-3120	Plug	55 22 1	70-3820	Cover	65 35 1
70-3130	Gasket	59 4 1	70-3830	Gasket	65 31 1
70-3140	Pipe	62 36 1	70-3840	Rack	64 2 1
70-3150	Pipe	62 37 1	70-3850	Screw	65 42 1
70-3160	Screw	54 5 8	70-3860	Washer	64 3 2
70-3170	Nut	56 11 1	70-3870	Washer	65 40 2
70-3180	Clamp	62 18 3	70-3870	Washer	68 12 4
70-3190	Clamp	62 19 3	70-3880	Plate	64 1 2
70-3200	Washer	63 50 1	70-3890	Washer	66 31 2
70-3210	Packing	63 48 4	70-3900	Packing	64 9 2
70-3220	O-Ring	57 2 1	70-3910	Washer	65 25 2
70-3230	Plug	58 14 1	70-3920	Cover Assembly	65 * 1
70-3230	Plug	53 15 1	70-3930	Gasket	64 5 1
70-3240	Plug	63 51 1	70-3940	Plate	65 28 2
70-3250	Bolt	63 47 2	70-3950	Screw	64 10 2
70-3260	Armature Assembly	49 12 1	70-3960	Valve	64 4 1
70-3270	Spring - Brush	49 18 4	70-3970	Plate - 0.6	64 17 A/R
70-3280	Cover Assembly Front	49 6 1	70-3980	Plate - 0.7	64 * A/R
70-3290	Brush Holder Assembly	49 17 1	70-3990	Plate - 0.8	64 * A/R
70-3300	Yoke Assembly	49 19 1	70-4000	Plate - 0.9	64 * A/R
70-3310	Bolt Set	49 14 1	70-4010	Plate - 1.0	64 * A/R
70-3320	Bearing	50 8 1	70-4020	Plate - 1.1	64 * A/R
70-3330	Bearing	49 13 1	70-4030	Plate - 1.2	64 * A/R
70-3340	Connector	61 11 1	70-4040	Plate - 1.3	64 * A/R
70-3340	Connector	57 34 1	70-4050	Plate - 1.4	64 * A/R
70-3350	Cap	55 11 6	70-4060	Plate - 0.1	64 * A/R
70-3360	Cap	53 16 4	70-4070	Plate - 0.2	64 * A/R
70-3370	Cap	55 25 3	70-4080	Plate - 0.3	64 * A/R
70-3380	Cap	53 19 15	70-4090	Plate - 0.4	64 * A/R
70-3390	Plug	53 17 4	70-4100	Plate - 0.5	64 * A/R
70-3400	Plug	55 6 6	70-4110	Plate - 0.15	64 * A/R
70-3410	Plug	55 13 1	70-4120	Capsule	66 30 1

*Not Illustrated

TORO PART NUMBER INDEX (Cont.)

3316-682

Part No.	Description	Pg. Ref. No. No. Qty.	Part No.	Description	Pg. Ref. No. No. Qty.
70-4130	Housing	66 3 1	70-4850	Washer 2.15 mm	62 * A/R
70-4140	Stopper	66 27 1	70-4860	Washer 1.00 mm	62 7 A/R
70-4150	Gasket	66 6 1	70-4870	Washer 1.05 mm	62 * A/R
70-4160	Gasket	66 1 1	70-4880	Washer 1.10 mm	62 * A/R
70-4170	Flyweight Assembly	67 71 1	70-4890	Washer 1.275 mm	62 * A/R
70-4180	Nut	67 69 1	70-4900	Washer 1.325 mm	62 * A/R
70-4190	Sleeve	67 68 1	70-4910	Washer 1.775 mm	62 * A/R
70-4200	Plate	67 67 1	70-4920	Washer 0.95 mm	62 * A/R
70-4210	Plate	66 8 1	70-4930	Packing	62 4 4
70-4220	Swiveling Lever Assembly	66 12 1	70-4940	Housing Assembly	65 43 1
70-4230	Bushing	66 21 2	70-4950	Hose - 90° Elbow	61 8 1
70-4240	E-Ring	67 59 1	70-4960	Clamp - R	61 21 1
70-4250	Tension Lever Assembly	66 19 1	70-4970	Gasket	61 19 1
70-4260	Adapter Assembly	67 * 1	70-4980	Bolt - Cap Hex Hd.	61 2 1
70-4270	Screw	67 60 1	70-4990	Spring	54 17 8
70-4280	Spring	67 62 1	70-5000	Retainer	54 18 8
70-4290	Adapter	67 63 1	70-5010	Tappet	54 11 8
70-4300	Nut	67 58 1	70-5020	Gear - Camshaft	52 8 1
70-4310	Nut	66 32 1	70-5020	Gear - Camshaft	54 22 1
70-4320	Lever Assembly	66 17 1	70-5030	Pipe	57 35 1
70-4330	Bushing	66 38 1	70-5040	Hose	51 43 1
70-4340	Shackle Assembly	66 18 1	70-5050	Cover	51 39 1
70-4350	Shaft	66 24 1	70-5060	Joint	62 27 1
70-4360	Plug	66 23 2	70-5070	O-Ring	62 35 1
70-4370	Spring	66 13 1	70-5080	Bushing	54 6 8
70-4380	Spring	66 16 1	70-5090	Gasket	53 20 1
70-4390	Screw	67 56 1	70-5100	Gasket	57 7 1
70-4400	Cover	66 25 1	70-5110	Washer	54 31 2
70-4410	Pin	67 57 1	70-5120	Bolt	57 32 1
70-4420	Bushing	67 53 1	70-5130	Gasket	53 11 1
70-4430	Screw	67 73 1	70-5140	Plug	53 5 1
70-4440	Nut	66 33 1	70-5150	Rocker Assembly - Intake	54 32 4
70-4450	Nut	66 34 1	70-5160	Rocker Assembly - Exhaust	54 27 4
70-4460	Plate	66 45 1	70-5170	Pipe	54 29 1
70-4470	Lever	67 55 1	70-5180	Rocker Shaft Assembly	54 8 1
70-4480	Shaft	67 54 1	70-5190	Spring	54 7 3
70-4490	Cup	66 49 1	70-5200	Bracket	54 33 4
70-4500	Spring	66 46 1	70-5210	Gasket	53 2 1
70-4510	Spring	66 48 1	70-5220	Cover	53 1 1
70-4520	Spring	66 47 1	70-5230	Rod - Push	54 10 8
70-4530	Cover	66 51 1	70-5240	Seal	55 15 4
70-4540	Slider	67 64 1	70-5250	Plate	55 31 1
70-4550	Plate	66 40 1	70-5260	Gasket	55 39 1
70-4560	Adjusting Lever Assembly	66 43 1	70-5270	Cover	57 8 1
70-4570	Stop Lever Assembly	66 50 1	70-5280	Sleeve	55 41 4
70-4580	Cap	66 20 1	70-5290	Hanger	55 40 1
70-4590	Plug	66 5 1	70-5300	Bolt	55 19 10
70-4600	Housing Assembly	68 11 1	70-5310	Fitting - 90° Elbow	61 12 1
70-4610	Valve	68 5 2	70-5320	Pin	55 30 2
70-4620	Spring	68 4 2	70-5330	Gasket	58 5 1
70-4630	Gasket	68 3 2	70-5340	Valve	55 32 4
70-4640	Support	68 20 1	70-5350	Bearing - Main (Std.)	55 14 10
70-4650	Pump Assembly	68 2 1	70-5360	Plate - Thrust (Std.)	55 20 3
70-4660	Rod, Blue Small Dia.	68 19 A/R	70-5370	Gasket	52 5 1
70-4670	Rod, Red Small Dia.	68 * A/R	70-5380	Pan - Oil	58 7 1
70-4680	Rod, Yellow Small Dia.	68 * A/R	70-5390	Gasket	58 6 1
70-4690	Rod, Green Small Dia.	68 * A/R	70-5400	Ring Set - Std.	56 23 4
70-4700	Rod, White Small Dia.	68 * A/R	70-5410	Pin	56 21 4
70-4710	Rod, Brown Big Dia.	68 * A/R	70-5420	Nut	56 10 8
70-4720	Piston	68 18 1	70-5430	Bearing - Rod (Std.)	56 8 8
70-4730	Tappet	68 7 1	70-5440	Pulley	56 13 1
70-4740	Roller	68 8 1	70-5450	Idler Assembly	52 9 1
70-4750	Pin	68 10 1	70-5460	Gasket	59 9 1
70-4760	Block	68 6 2	70-5470	Manifold	59 10 1
70-4770	Spring	68 17 1	70-5480	Pipe - Oil	61 16 1
70-4780	Plug	68 15 1	70-5490	Pipe - Oil	61 15 1
70-4790	Filter	68 13 1	70-5500	Strainer	57 31 1
70-4800	Screw	68 14 1	70-5510	Gasket	57 19 1
70-4810	Body Assembly	62 8 4	70-5520	Union	57 22 1
70-4820	Pin	62 5 4	70-5530	Bracket Assembly	57 23 1
70-4830	Spring	62 6 4	70-5540	Oil Filter Assembly	57 * 1
70-4840	Nut	62 1 4	70-5550	Gasket	57 20 1

*Not Illustrated

TORO PART NUMBER INDEX (Cont.)

Part No.	Description	Pg. Ref. No. No. Qty.	Part No.	Description	Pg. Ref. No. No. Qty.
70-5560	Gage	58 13 1	70-6270	O-Ring	60 7 1
70-5570	Breather	57 1 1	70-6280	Deflector	60 9 1
70-5580	Stay	57 6 1	70-6290	Insert	60 8 1
70-5590	Connector	51 41 1	70-6300	Ring	60 6 1
70-5600	Water Pump Assembly	51 5 1	70-6310	Ring	60 10 1
70-5610	Impeller	51 11 1	70-6320	Wheel	60 5 1
70-5620	Connector	51 9 1	70-6330	Nut	60 4 1
70-5630	Shaft	51 26 1	70-6340	Cover	60 3 1
70-5640	Bracket	51 12 1	70-6350	Ring	60 20 1
70-5650	Gasket	51 7 1	70-6360	Plate	60 2 1
70-5660	Gasket	51 17 1	70-6370	Bearing	60 14 2
70-5670	Stay	51 13 1	70-6380	Bearing	60 12 1
70-5680	Pulley	51 29 1	70-6390	Ring	60 15 2
70-5690	Elbow	51 36 1	70-6400	Ring	60 18 1
70-5700	Fuel Feed Pump	62 25 1	70-6410	Sleeve	60 11 1
70-5710	Fuel Filter Assembly	63 * 1	70-6420	Ring	60 13 1
70-5720	Bracket	63 49 1	70-6430	Turbocharger Assembly	59 12 1
70-5730	Filter Element Assembly	62 38 1	70-6440	Cartridge Assembly	60 * 1
70-5740	Plate	48 2 1	70-6450	Housing	60 16 1
70-5750	Bracket	48 10 1	70-6460	Bearing Housing Assembly	60 22 1
70-5760	Alternator Assembly	48 1 1	70-6470	Shaft & Turbine Wheel Assy.	60 19 1
70-5770	Lever	62 22 1	70-6480	Pin	66 15 1
70-5780	Seal	52 13 1	70-6490	Ring	67 66 1
70-5790	Case	52 4 1	70-6500	O-Ring	66 37 1
70-5800	Pin	56 7 2	70-6510	O-Ring	66 22 2
70-5810	Plate	56 14 1	70-6520	Bolt	66 10 1
70-5820	Cone	56 12 1	70-6520	Bolt & Washer	66 29 3
70-5830	Gear - Crankshaft	52 12 1	70-6530	Bolt	66 7 5
70-5840	Oil Pump Assembly	57 14 1	70-6540	Bolt	65 32 4
70-5850	Cover	57 18 1	70-6550	Bolt	66 9 1
70-5860	Starter Assembly	48 7 1	70-6560	Nut	67 72 2
70-5870	Insert - Exhaust	53 9 4	70-6570	Washer - 0.1	67 61 A/R
70-5880	Insert - Inlet	53 10 4	70-6580	Washer - 0.25	67 * A/R
70-5890	Flange	53 6 1	70-6590	Washer - 0.5	67 * A/R
70-5900	Cylinder Head Assembly	53 8 1	70-6600	Washer - 0.2	67 * A/R
70-5910	Valve - Inlet	54 20 4	70-6610	Washer - 0.2	67 65 A/R
70-5920	Valve - Exhaust	54 19 4	70-6620	Washer - 0.3	67 * A/R
70-5930	Spring	54 16 8	70-6630	Washer - 0.4	67 * A/R
70-5940	Camshaft	54 21 1	70-6640	Washer - 0.1	67 * A/R
70-5950	Connector	55 12 1	70-6650	Washer - 1.0	67 * A/R
70-5960	Crankcase Assembly	55 1 1	70-6660	Washer - 1.0	67 * A/R
70-5970	Housing	58 1 1	70-6670	Washer	67 70 1
70-5980	Piston (Std.)	56 22 4	70-6680	Washer	65 34 1
70-5990	Connecting Rod - Std.	56 1 4	70-6690	Washer	66 35 2
70-6000	Bushing	56 2 4	70-6700	Washer	68 16 1
70-6010	Bolt	56 19 8	70-6710	Washer	66 4 1
70-6020	Crankshaft Assembly	56 18 1	70-6720	Stud	65 27 3
70-6030	Flywheel Assembly	56 4 1	70-6730	Bolt	66 42 1
70-6040	Gear - Injection Pump	52 11 1	70-6740	Bolt	66 26 2
70-6050	Manifold	59 5 1	70-6750	Bolt	66 41 4
70-6060	Gasket	59 8 1	70-6760	Bolt & Washer	66 39 2
70-6070	Pipe	61 7 1	70-6770	Nut	66 36 1
70-6080	Hose	61 6 1	70-6780	Nut	65 33 1
70-6090	Elbow	59 3 1	70-6790	Packing	66 28 1
70-6100	Pipe - No. 2	62 12 1	70-6800	E-Ring	64 23 4
70-6110	Pipe - No. 4	62 14 1	70-6810	E-Ring	66 11 2
70-6120	Pipe	63 41 1	70-6820	Ring	68 9 1
70-6130	O-Ring	62 33 1	70-6830	Pin	62 3 8
70-6140	Washer	63 43 4	70-6840	Bearing	65 36 1
70-6150	Gasket	63 45 4	70-6850	Bearing	64 6 2
70-6160	Nozzle Assembly	63 46 4	70-6860	Key	66 14 1
70-6170	Nozzle Tip Assembly	62 2 4	70-6870	Key	66 2 1
70-6180	Injection Pump	62 26 1	70-6880	Key	65 29 1
70-6190	Pipe - No. 1	62 11 1	70-6890	O-Ring	66 52 1
70-6200	Pipe - No. 3	62 13 1	70-6900	O-Ring	65 26 1
70-6210	Flange	62 34 1	70-6910	O-Ring	65 47 4
70-6220	Gland	63 44 4	70-6920	Seal	66 44 1
70-6230	Coupling Assembly	60 17 1	70-6930	Screw	64 24 1
70-6240	Gasket	61 10 1	70-6940	Screw	68 1 1
70-6250	Gasket	59 11 1	70-6940	Screw	65 39 1
70-6250	Gasket	61 20 1	70-6990	Level Sensing Unit Assembly	22 2 1
70-6260	Plate	60 21 1	70-8620	Cap - Fuel	22 10 1

*Not Illustrated

TORO PART NUMBER INDEX (Cont.)

3316-682

Part No.	Description	Pg. No.	Ref. No.	Qty.	Part No.	Description	Pg. No.	Ref. No.	Qty.
70-8640	Cap - Hydraulic	23	36	1	71-2610	Shaft - Deck Pivot	90	15	2
71-0060	Support - Foam	43	8	1	71-2620	Shaft - Lift Arm Elbow	89	23	2
71-0170	Arm - Outer Lift R.H.	89	*	1	71-2630	Solenoid Valve Assembly	28	*	1
71-0180	Arm - Outer Lift L.H.	89	10	1	71-2680	Hose - Vent	23	31	1
71-0210	Foam - Radiator Seal	44	13	1	71-2680	Hose - Vent	45	53	1
71-0220	Foam - Louver Lower	42	11	1	71-2690	Hose - Fuel	70	7	1
71-0230	Foam - Louver Middle	42	7	1	71-3810	Coupling - Hydraulic Motor	32	34	2
71-0240	Foam - Louver Top	42	5	2	71-3830	Bellcrank - Brake	36	21	2
71-0250	Foam - Hood Top	43	2	1	71-3850	Cover - Housing	36	15	2
71-0260	Foam - Hood Side L.H.	43	3	1	71-3860	Clevis	36	28	2
71-0270	Foam - Hood Side R.H.	43	1	1	71-3870	Gasket	36	14	2
71-0280	Foam - Cowl Top	42	3	1	71-3880	Clevis - Brake Cable	32	15	2
71-0290	Foam - Cowl Bottom	42	29	1	71-3880	Clevis - Brake Cable	36	23	2
71-0300	Foam - Low Front Cowl L.H.	42	17	1	71-3900	Gasket	36	25	2
71-0310	Foam - Low Front Cowl R.H.	42	*	1	71-3910	Collar	36	34	2
71-0320	Foam - Low Rear Cowl R.H.	42	*	1	71-3920	Gasket	36	33	2
71-0330	Foam - Low Rear Cowl L.H.	42	30	1	71-3990	Cap - Brake Housing	32	20	2
71-0340	Foam - Rad. Support L.H.	44	36	1	71-4010	Housing - Brake	32	13	2
71-0350	Foam - Rad. Support R.H.	44	1	1	71-4060	Rod - Brake Latch	4	40	1
71-0360	Foam - Rad. Support Top	44	3	1	71-4110	Cap - Actuator	36	36	2
71-0370	Foam - Lower Rad. Support	44	34	2	71-4130	Support - Control	11	17	1
71-0380	Foam - Rad. Support Front	44	42	1	71-4170	Switch - Toggle	14	19	1
71-0390	Foam - Rad. Support Rear	44	44	1	71-4200	Cluster - Warning Light	13	6	1
71-0400	Foam - Side Panel	43	14	2	71-4210	Cluster - Warning Light	13	4	1
71-0410	Cover - Abrasive	10	4	1	71-4230	Panel	13	3	1
71-0420	Floor - Abrasive	28	66	1	71-4250	Spacer	13	20	2
71-0430	Cover - Abrasive	28	64	1	71-4260	Decal - H.O.C.	91	28	2
71-0440	Abrasive - Pedal Front	9	25	1	71-4260	Decal - H.O.C.	82	56	1
71-0450	Abrasive - Pedal Rear	9	29	1	71-4280	Sending Unit - Oil Pressure	47	61	1
71-0470	Disc - Middle	32	19	4	72-3790	Wire - Neutral Switch	37	24	1
71-0480	Suspension Assembly	3	*	1	72-4070	Decal - Danger	33	47	2
71-0490	Pump Drive Shaft Assembly	38	*	1	72-4080	Decal - Danger	72	37	1
71-0500	Yoke - Engine End	37	8	1	72-4080	Decal - Danger	28	71	2
71-0510	Shaft - Slip Yoke	37	6	1	72-4310	Switch - Ball	78	11	1
71-0520	Yoke - Pump End	37	3	1	72-4310	Switch - Lift	85	32	2
71-0530	Tube - Slip Yoke	37	4	1	72-9550	Stud - Fuel Tank	22	17	1
71-0540	Column - Steering	4	27	1	72-9760	Switch - Push Button	14	15	2
71-2170	Pin	3	22	1	74-0720	Tube - Manual	2	1	1
71-2180	Bearing	3	2	4	74-2170	Cylinder - Lift	86	43	2
71-2190	Pin	3	3	1	74-2180	Ring - Steel	87	9	1
71-2200	Bracket - Swing Arm	3	33	1	74-2190	Cushion	87	10	1
71-2210	Pin	3	13	1	74-2200	Head	87	4	1
71-2220	Pin	3	16	1	74-2210	Piston	87	12	1
71-2230	Ring - Snap	3	14	1	74-2220	Collar	87	2	1
71-2240	Knob Assembly	3	15	1	74-2230	Shaft/Clevis	87	1	1
71-2250	Bracket - Spring	3	18	1	74-2270	Fitting - Suction	25	23	1
71-2260	Spring	3	27	2	74-2340	Decal - Fuse	14	22	1
71-2270	Nut - Special	3	23	1	74-2510	Tube - Hydraulic L.H.	7	13	1
71-2280	Band - Weight Indicator	3	10	1	74-2520	Tube - Hydraulic R.H.	7	14	1
71-2290	Bearing - Tribble	3	4	1	74-2530	Tube - Hydraulic	7	11	1
71-2300	Bumper	3	9	2	74-2660	Hose - Hydraulic Return	24	34	1
71-2310	Plate - Lower Suspension	3	8	1	74-2680	Bracket - Bulkhead	86	45	1
71-2320	Pin	3	21	2	74-2700	Rod - Control	9	16	1
71-2330	Ring - Snap	3	19	2	74-2710	Clamp Half - Hydraulic Line	89	2	4
71-2340	Absorber - Shock	3	20	1	74-2730	Tube - Clamp	89	31	4
71-2380	Washer	2	7	2	74-2750	Retainer - Clamp	89	32	2
71-2390	Rivet - Pop	2	8	2	75-0540	Tether - Cap, Reservoir	23	27	1
71-2400	Assembly - Bumper	2	6	2	75-6330	Catch - Magnetic	1	6	1
71-2410	Plate - Upper Suspension	2	5	1	75-9460	Bracket - Sealing L.H.	42	19	1
71-2420	Bellows - Rubber	2	12	1	75-9470	Bracket - Sealing R.H.	42	25	1
71-2430	Plate - Rear	11	16	1	75-9480	Bracket - Sealing Bottom	42	22	1
71-2450	Cover - Access	27	24	1	75-9670	Fork - Castor	90	32	8
71-2460	Plate - Control	14	5	1	75-9790	Arm - Pivot	80	10	2
71-2470	Rim	32	29	2	76-0980	Pipe - Exhaust	46	10	1
71-2530	Bearing Assembly	93	6	1	76-1670	Spring - Extension	84	25	1
71-2550	Washer - Latch Shaft	88	9	2	76-1670	Spring - Extension	78	33	1
71-2560	Support - Bulkhead	30	37	2	76-1670	Spring - Extension	81	36	1
71-2570	Shaft - Pivot	78	3	1	76-1880	10 Segmented Tire Assy.	94	3	1
71-2580	Shaft - Lift Arm Pivot	85	26	2	76-1890	13 Segmented Tire Assy.	94	5	1
71-2590	Shaft - Pivot	75	5	1	76-2060	V-Belt	83	*	1
71-2590	Shaft - Pivot	78	24	1	76-2060	V-Belt	84	*	1
71-2600	Tube - Anti - Sway	89	11	2	76-2060	V-Belt	91	*	6

*Not Illustrated

TORO PART NUMBER INDEX (Cont.)

Part No.	Description	Pg. Ref.		Part No.	Description	Pg. Ref.			
		No.	Qty.			No.	Qty.		
76-2750	Hydraulic Hose Assembly	81	2	1	88-9370	Hose - Hydraulic	91	9	2
76-2760	Hydraulic Hose Assembly	81	1	1	88-9420	Wire Harness Assembly	11	*	1
76-2770	Hydraulic Hose Assembly	81	6	1	88-9430	Decal - Fuse	11	5	1
76-4590	Screw	34	16	6	88-9450	Bracket - Hood Cylinder	44	37	2
76-4590	Screw	40	27	6	88-9510	Wire - Switch	28	79	1
76-4600	Gasket - Cover	40	38	1	92-1179	Cushion - Seat	1	17	1
76-4600	Gasket - Front Cover	34	26	1	92-1180	Assembly - Seat	1	1	1
76-4610	Cover	40	33	1	92-1654	Castor Wheel Assembly	90	30	8
76-4610	Cover - Front	34	15	1	92-1654	Castor Wheel Assembly	80	12	2
76-8750	Plate - Caution	44	45	2	92-1741	Tube - Hydraulic	32	42	1
77-0950	Washer - Castor	80	33	2	92-1742	Tube - Hydraulic	24	40	1
77-0950	Washer - Castor	90	41	8	92-1742	Tube - Hydraulic L.H.	32	12	1
77-2830	Rod - Spring	81	44	1	92-1747	Tube - Hydraulic	27	39	1
77-2990	Cable - Throttle	18	8	1	92-1747	Tube - Hydraulic	78	44	1
77-5390	Tank - Hydraulic	23	4	1	92-1748	Tube - Hydraulic	78	47	1
80-0010	Tank - Fuel	22	11	1	92-1753	Coupling - Spring Centering	46	26	1
80-0130	Cable - Negative	72	11	1	92-1771	Board - Instrument	13	16	1
80-0160	Tray - Battery	72	18	1	92-1772	Hood Assembly	43	4	1
80-4890	Decal - Service	11	32	1	92-1792	Repair Kit	77	*	1
80-9330	Alarm - Audio	11	3	1	92-2351	Fitting - Tank Return	24	36	1
82-2560	Decal - Belt Routing	81	39	1	92-2352	Hose - Hydraulic	24	35	1
82-4910	Roller	83	27	1	92-2362	Castor Wheel Assembly	80	23	2
82-4910	Roller	84	36	1	92-3047	Valve - Solenoid	28	62	1
82-6330	Cowl - Radiator, Optional	42	*	1	92-3048	Solenoid Coil Kit	28	54	3
82-7820	Seat - Brake, Tube	36	13	2	92-3049	Valve Seal Kit	28	*	1
82-7830	Screw - Bleed, Brake	36	11	2	92-3071	Spool - Solenoid Valve	73	25	3
82-7840	Piston - Brake	36	7	2	92-4087	Decal - Diagnostic V2.0	12	1	1
82-7850	Spring - Compression	36	4	2	92-4094	Roller - Latch	88	16	4
82-7900	Shaft - Arm	89	34	2	92-4804	Block - Latch Pivot	88	11	2
82-7930	Arm - Anti-Sway L.H.	89	14	1	92-4805	Cam - Spring Trip	88	21	2
82-7940	Arm - Anti-Sway R.H.	89	*	1	92-4806	Pin - Latch	78	30	1
82-8170	Clamp - Hose	89	27	6	92-4806	Pin - Latch	88	13	8
82-9060	Track & Latch - Adjustment	2	4	1	92-4807	Tube - Hyd. R.H. Run	32	*	1
83-4330	Assy. - Tube, Traction L.H.	27	19	2	92-4807	Tube - Hydraulic	24	4	1
83-4340	Assy. - Tube, Traction R.H.	27	21	2	92-4967	Tube - Hydraulic	27	9	1
83-6630	Shim - Switch	1	5	1	92-4967	Tube - Hydraulic	21	17	1
83-6640	Sensor - Switch	1	8	1	92-4970	Hose - Hydraulic	23	37	1
83-6660	Support - Seat	2	11	1	92-4970	Hose - Hydraulic	28	80	1
83-6690	Plate - Seat	1	15	1	92-4971	Hydraulic Cylinder Assembly	78	7	2
83-6700	Plate - Suspension	1	9	1	92-4997	Cable - Positive	72	12	1
83-8350	Fitting - Traction, L.H.	27	20	1	92-5720	Controller	11	22	1
83-8360	Fitting - Traction, R.H.	28	73	1	92-7301	Spacer	1	19	2
83-8370	Plate - Clamp	28	74	1	92-8003	Housing - Actuator, R.H.	36	12	1
85-4750	Display - Diagnostic	12	2	1	92-8004	Housing - Actuator, L.H.	36	*	1
85-6140	Spring	1	16	1	92-8661	Tab	11	34	3
85-6150	Tube - Hyd. R.H. Branch	32	*	1	92-8662	Spacer	89	33	4
85-6150	Tube - Hydraulic	27	30	1	92-8663	Plate - Clamp	89	28	2
85-6160	Pin - Spring	1	10	1	92-8664	Lift Arm Assembly L.H.	89	25	1
85-6190	Link - Deck Tilt	27	1	1	92-8664	Lift Arm Assembly L.H.	85	33	1
85-6210	Bracket - Rear Eng. Mount	46	37	2	92-8665	Lift Arm Assembly R.H.	85	*	1
85-6230	Assembly - Solenoid Valve	71	*	1	92-8665	Lift Arm Assembly R.H.	89	*	1
85-6230	Solenoid - Engine Run	46	45	1	92-9701	Shaft - Cruise Control	9	3	1
85-6260	Level Sensing Unit	23	3	1	92-9800	Spacer - Spindle	93	11	1
85-6280	Spring - Return	71	3	1	93-0307	Nut - Retainer	76	53	2
85-6290	Boot - Rubber	71	2	1	93-0309	Washer	75	25	2
85-6300	Assembly - Plunger	71	1	1	93-0310	Spindle - Wheel R.H.	75	*	1
85-6450	Retainer - Belt	82	55	1	93-0311	Spindle - Wheel L.H.	75	17	1
86-7350	Seal Repair Kit	79	*	1	93-1397	Valve - Flow Control	78	46	1
86-7350	Seal Repair Kit	87	*	1	213-31	Cover - Steering Wheel	4	8	1
86-7410	Plate - Gage	13	5	1	217-116	Rim	75	23	2
86-7480	Spring - Compression	81	48	1	218-242	Switch - Brake	7	25	1
86-8100	Joint - Ball	88	19	2	218-243	Fitting - Tee	7	12	1
86-8100	Joint - Ball	78	37	2	218-446	Nut - Hex	14	9	1
86-8101	Joint - Ball	88	22	2	218-447	Washer - Lock	14	8	1
88-6760	Spring - Gas	43	19	2	218-498	Nut	13	18	2
88-6770	Stud - Ball	43	18	2	218-498	Nut - Hex	14	7	10
88-6770	Stud - Ball	45	56	2	218-533	Nut - Hex	4	7	1
88-9190	Solenoid Coil Assembly	73	23	3	218-535	Nut - Hex.	4	24	3
88-9260	Bracket - Roller RH	84	38	1	218-536	Washer - Lock	4	23	3
88-9270	Bracket - Roller LH	83	29	1	218-562	Lens - Indicator Light	4	11	2
88-9280	Bracket - Switch	28	76	1	218-573	Fuse - 5A	11	*	1
88-9360	Hose - Hydraulic	91	8	4	218-581	Fuse - 15A	11	33	6

*Not Illustrated

TORO PART NUMBER INDEX (Cont.)

3316-682

Part No.	Description	Pg. Ref. No. No. Qty.	Part No.	Description	Pg. Ref. No. No. Qty.
219-17	Bulb - Light	13 9 8	237-81	Seal - O-Ring	32 9 4
2115-95	Kit - Universal Joint	37 7 2	237-81	Seal - O-Ring	37 15 1
2116-3	Joint - Ball L.H.	75 * 1	237-81	Seal - O-Ring	73 19 8
2116-4	Joint - Ball R.H.	75 35 1	237-101	Seal - O-Ring	24 24 2
231-140	Tire - (Optional)	32 * 2	237-116	Seal - O-Ring	25 9 1
232-27	Stem - Valve	75 29 2	237-146	Seal - O-Ring	32 5 4
233-17	Knob	4 3 1	237-146	Seal - O-Ring	73 14 1
233-42	Knob	19 3 3	237-146	Seal - O-Ring	37 19 3
233-48	Knob	18 3 1	237-154	Seal - O-Ring	70 10 1
233-66	Knob	14 10 1	237-155	Seal - O-Ring	24 20 1
237-21	Seal - O-Ring	32 3 2	237-156	Seal - O-Ring	21 13 8
237-21	Seal - O-Ring	21 6 2	237-156	Seal - O-Ring	73 30 30
237-21	Seal - O-Ring	30 29 4	237-157	Seal - O-Ring	23 16 1
237-21	Seal - O-Ring	76 52 4	237-158	Seal - O-Ring	32 21 4
237-21	Seal - O-Ring	28 58 3	237-164	Grommet	30 7 1
237-22	Seal - O-Ring	27 32 7	237-174	O-Ring	36 9 2
237-22	Seal - O-Ring	81 7 1	237-175	O-Ring	36 6 2
237-22	Seal - O-Ring	78 8 9	240-2	Grommet	30 6 2
237-22	Seal - O-Ring	91 10 2	240-3	Grommet	85 8 4
237-22	Seal - O-Ring	19 14 9	240-4	Grommet	27 6 6
237-22	Seal - O-Ring	44 17 2	240-4	Grommet	85 18 10
237-22	Seal - O-Ring	85 19 14	240-5	Grommet	27 28 2
237-22	Seal - O-Ring	21 21 7	240-6	Grommet	30 31 4
237-22	Seal - O-Ring	23 21 2	240-7	Grommet	30 32 1
237-22	Seal - O-Ring	4 37 4	240-7	Grommet	28 47 4
237-22	Seal - O-Ring	75 45 6	240-8	Grommet	89 30 4
237-22	Seal - O-Ring	47 56 2	2410-10	Plug - Button	28 72 1
237-22	Seal - O-Ring	41 64 1	2410-71	Plug	36 1 2
237-22	Seal - O-Ring	24 5 3	2410-73	Pin - Tether	23 35 1
237-30	Seal - O-Ring	27 8 3	2411-40	Joint - Ball	89 13 4
237-30	Seal - O-Ring	24 13 2	2411-41	End - Rod	47 52 2
237-30	Seal - O-Ring	37 17 2	2412-3	Clamp - Hose	23 15 1
237-30	Seal - O-Ring	21 22 2	2412-6	Clamp - Hose	70 2 2
237-37	Bumper - Rubber	72 34 4	2412-6	Clamp - Hose	44 6 1
237-42	Seal - O-Ring	32 1 2	2412-6	Clamp - Hose	22 15 1
237-42	Seal - O-Ring	78 6 4	2412-7	Clamp Assembly	75 38 2
237-42	Seal - O-Ring	73 7 1	2412-34	Clamp - Hose	23 11 1
237-42	Seal - O-Ring	91 12 2	2412-39	Clamp	72 39 1
237-42	Seal - O-Ring	37 23 1	2412-39	Clamp - R	47 68 1
237-42	Seal - O-Ring	19 24 5	2412-41	Clamp	72 38 2
237-42	Seal - O-Ring	21 27 6	2412-41	Clamp - R	44 38 1
237-42	Seal - O-Ring	86 42 4	2412-41	Clamp - R	47 59 2
237-42	Seal - O-Ring	81 9 1	2412-42	Clamp - Hose	25 11 4
237-58	Seal - O-Ring	27 14 4	2412-42	Clamp - Hose	23 13 4
237-58	Seal - O-Ring	25 2 2	2412-42	Clamp - Hose	46 19 1
237-58	Seal - O-Ring	81 3 2	2412-70	Clamp - R	46 3 1
237-58	Seal - O-Ring	24 7 1	2412-73	Clamp - R	72 7 3
237-58	Seal - O-Ring	32 7 6	2412-73	Clamp - R	47 69 1
237-58	Seal - O-Ring	73 10 8	2412-89	Clamp - R	22 9 1
237-58	Seal - O-Ring	32 11 3	2412-92	Clamp - Hose	24 9 4
237-58	Seal - O-Ring	37 21 3	2412-92	Clamp - Hose	44 11 4
237-65	Seal - O-Ring	24 3 2	2412-108	Clamp - Hose	70 6 1
237-65	Seal - O-Ring	91 7 4	2412-108	Clamp - Hose	23 32 2
237-65	Seal - O-Ring	27 18 6	2412-108	Clamp - Hose	45 52 2
237-65	Seal - O-Ring	85 20 4	2412-110	Clamp - Hose	46 16 3
237-78	Seal - O-Ring	27 13 5	2412-129	Clamp - Hose	24 39 1
237-78	Seal - O-Ring	21 8 3	2412-133	Clamp	2 2 2
237-78	Seal - O-Ring	73 33 1	2412-147	Clamp - R	44 48 1
237-78	Seal - O-Ring	73 41 2	250-5	Tie - Cable	42 34 16
237-78	Seal - O-Ring	75 43 4	251-259	Bearing - Neutral Detent	37 41 1
237-78	Seal - O-Ring	21 4 2	251-321	Bearing - Ball	94 1 2
237-79	Seal - O-Ring	19 12 2	251-321	Bearing - Castor	80 14 4
237-79	Seal - O-Ring	23 23 1	251-321	Bearing - Castor	80 22 4
237-79	Seal - O-Ring	21 24 2	251-321	Bearing - Castor	90 29 16
237-79	Seal - O-Ring	73 32 4	251-332	Spacer - Bearing	90 28 8
237-79	Seal - O-Ring	4 39 4	251-332	Spacer - Inner	94 4 1
237-80	Seal - O-Ring	24 1 1	251-332	Spacer Bearing	80 13 2
237-80	Seal - O-Ring	23 19 3	251-333	Spacer - Bearing	80 21 2
237-80	Seal - O-Ring	41 68 1	251-333	Spacer - Inner	94 6 1
237-81	Seal - O-Ring	23 1 1	251-340	Bearing - Ball	32 23 2
237-81	Seal - O-Ring	81 5 2	253-154	Seal - Wave	93 5 2
237-81	Seal - O-Ring	91 5 4	253-156	Seal - Oil	32 22 2

*Not Illustrated

TORO PART NUMBER INDEX (Cont.)

Part No.	Description	Pg. Ref. No. No. Qty.	Part No.	Description	Pg. Ref. No. No. Qty.
253-157	Ring - Cup	32 41 8	321-6	Screw - Cap Hex. Hd.	36 37 8
254-72	Cup - Bearing Outer	75 20 2	321-6	Screw - Cap Hex. Hd.	46 38 3
254-92	Cone - Bearing Outer	75 21 2	321-9	Screw - Cap Hex. Hd.	30 22 6
254-106	Cone - Bearing Inner	75 31 2	321-9	Screw - Cap Hex. Hd.	28 43 2
254-107	Cup - Bearing Inner	75 30 2	321-9	Screw - Cap Hex. Hd.	86 56 3
256-76	Bushing - Sleeve	89 15 4	321-10	Screw - Cap Hex. Hd.	19 1 2
256-117	Bushing - Flange	81 28 4	321-10	Screw - Cap Hex. Hd.	37 47 2
256-156	Bushing - Flange	9 30 2	321-11	Screw - Cap Hex. Hd.	28 65 2
256-172	Bearing - Sleeve	88 15 8	321-15	Screw - Cap Hex. Hd.	89 3 4
256-188	Bushing - Sleeve	84 6 1	321-15	Screw - Cap Hex. Hd.	30 18 2
256-188	Bushing - Sleeve	81 22 1	322-3	Screw - Cap Hex. Hd.	7 5 2
256-247	Bushing - Flange	6 1 4	322-5	Screw - Cap Hex Hd.	72 27 1
256-247	Bushing - Flange	28 46 2	322-5	Screw - Cap Hex. Hd.	44 39 1
256-273	Bushing - Flange	9 28 1	322-6	Screw - Cap Hex. Hd.	44 40 4
256-304	Washer - Thrust	89 6 8	322-11	Screw - Cap Hex. Hd.	85 1 1
256-304	Washer - Thrust	75 7 6	322-11	Screw - Cap Hex. Hd.	72 30 1
256-304	Washer - Thrust	78 28 2	322-12	Screw - Cap Hex. Hd.	30 9 4
256-304	Washer - Thrust	85 29 4	322-12	Screw - Cap Hex. Hd.	24 44 3
256-304	Washer - Thrust	90 40 4	322-13	Screw - Cap Hex. Hd.	47 76 1
256-305	Washer - Thrust	83 16 2	322-17	Screw - Cap Hex. Hd.	37 39 1
256-305	Washer - Thrust	84 24 2	322-21	Screw - Cap Hex. Hd.	30 23 3
282-2	Clevis - Brake Rod	7 18 1	322-22	Screw - Cap Hex. Hd.	89 29 4
282-28	Clevis - Adjustable	18 6 2	323-4	Screw - Cap Hex. Hd.	11 4 4
283-1	Pin - Clevis	6 24 2	323-4	Screw - Cap Hex. Hd.	6 21 4
283-1	Pin - Clevis	7 24 1	323-4	Screw - Cap Hex. Hd.	72 21 4
283-2	Pin - Clevis	32 16 2	323-4	Screw - Cap Hex. Hd.	43 25 2
283-2	Pin - Clevis	36 24 2	323-4	Screw - Cap Hex. Hd.	24 28 3
283-15	Pin - Clevis	36 31 2	323-4	Screw - Cap Hex. Hd.	47 70 4
283-67	Pin - Clevis Arm End	18 5 1	323-6	Screw - Cap Hex. Hd.	75 3 2
283-70	Pin - Hitch	80 9 2	323-6	Screw - Cap Hex. Hd.	83 6 3
283-72	Pin - Lynch	1 3 1	323-6	Screw - Cap Hex. Hd.	2 9 2
285-17	Plug - Pipe	41 76 2	323-6	Screw - Cap Hex. Hd.	85 12 4
2812-4	Fitting - Reducer	44 15 2	323-6	Screw - Cap Hex. Hd.	25 18 4
302-2	Fitting - Grease	85 31 4	323-6	Screw - Cap Hex. Hd.	32 18 14
302-2	Fitting - Grease	78 2 4	323-6	Screw - Cap Hex. Hd.	84 19 3
302-2	Fitting - Grease	84 4 1	323-6	Screw - Cap Hex. Hd.	43 23 4
302-2	Fitting - Grease	89 4 4	323-6	Screw - Cap Hex. Hd.	9 31 1
302-2	Fitting - Grease	37 5 1	323-6	Screw - Cap Hex. Hd.	72 32 4
302-2	Fitting - Grease	90 13 2	323-6	Screw - Cap Hex. Hd.	47 60 1
302-2	Fitting - Grease	81 20 1	323-7	Screw - Cap Hex. Hd.	37 51 2
302-2	Fitting - Grease Str.	93 1 1	323-7	Screw - Cap Hex. Hd.	25 4 8
302-5	Fitting - Grease	77 1 1	323-7	Screw - Cap Hex. Hd.	7 7 3
302-5	Fitting - Grease	94 2 1	323-7	Screw - Cap Hex. Hd.	4 16 4
302-5	Fitting - Grease	6 3 2	323-7	Screw - Cap Hex. Hd.	83 31 3
302-5	Fitting - Grease	79 13 3	323-7	Screw - Cap Hex. Hd.	84 39 3
302-5	Fitting - Grease	75 15 3	323-7	Screw - Cap Hex. Hd.	44 41 4
302-5	Fitting - Grease	87 15 2	323-8	Screw - Cap Hex. Hd.	72 13 2
302-5	Fitting - Grease	88 18 2	323-9	Screw - Cap Hex. Hd.	1 22 2
302-5	Fitting - Grease	89 22 2	323-10	Screw - Cap Hex. Hd.	23 5 4
302-5	Fitting - Grease	80 27 6	323-15	Screw - Cap Hex. Hd.	80 17 16
302-5	Fitting - Grease	81 33 2	323-15	Screw - Cap Hex. Hd.	90 23 32
302-5	Fitting - Grease	90 34 16	323-15	Screw - Cap Hex. Hd.	86 44 2
302-5	Fitting - Grease	78 40 2	323-21	Screw - Cap Hex. Hd.	22 6 1
302-5	Fitting - Grease	28 48 1	323-34	Screw - Cap Hex. Hd.	44 8 7
302-10	Fitting - Grease 45°	93 * 1	325-4	Screw - Cap Hex. Hd.	46 46 4
302-33	Fitting - Grease	75 36 2	325-5	Screw - Cap Hex. Hd.	4 30 3
302-39	Vent	32 25 2	325-6	Screw - Cap Hex. Hd.	25 20 4
302-40	Fitting - Grease	88 23 2	325-6	Screw - Cap Hex. Hd.	78 22 12
304-46	Drain - Fuel Tank	22 13 1	325-6	Screw - Cap Hex. Hd.	44 43 2
304-46	Valve - Drain	44 14 1	325-6	Screw - Cap Hex. Hd.	75 46 12
321-2	Screw - Cap Hex. Hd.	42 4 16	325-7	Screw - Cap Hex. Hd.	37 12 2
321-2	Screw - Cap Hex. Hd.	6 10 1	325-7	Screw - Cap Hex. Hd.	81 16 1
321-2	Screw - Cap Hex. Hd.	36 17 8	325-7	Screw - Cap Hex. Hd.	33 46 4
321-2	Screw - Cap, Hex. Hd.	23 26 1	325-8	Screw - Cap Hex. Hd.	84 8 1
321-3	Screw - Cap Hex. Hd.	72 3 3	325-8	Screw - Cap Hex. Hd.	81 24 1
321-3	Screw - Cap Hex. Hd.	9 6 4	325-15	Screw - Cap Hex. Hd.	80 6 4
321-3	Screw - Cap Hex. Hd.	18 10 3	325-17	Screw - Cap Hex. Hd.	46 43 4
321-3	Screw - Cap Hex. Hd.	11 14 4	325-20	Screw - Cap Hex. Hd.	90 3 8
321-4	Screw - Cap Hex. Hd.	6 5 1	327-15	Screw - Cap Hex. Hd.	80 20 2
321-4	Screw - Cap Hex. Hd.	37 42 2	327-17	Screw Cap Hex. Hd.	90 26 8
321-4	Screw - Cap Hex. Hd.	46 51 2	327-22	Screw - Cap Hex. Hd.	32 27 16
321-5	Screw - Cap Hex. Hd.	23 10 10	327-24	Screw Cap Hex. Hd.	80 15 2

*Not Illustrated

TORO PART NUMBER INDEX (Cont.)

3316-682

Part No.	Description	Pg. Ref.		Part No.	Description	Pg. Ref.	
		No.	Qty.			No.	Qty.
327-80	Seal - O-Ring	38	53 2	3249-11	Screw - Machine	6	26 2
328-8	Screw - Cap Hex. Hd.	85	36 4	3250-27	Screw - Truss Hd.	83	5 2
328-10	Screw - Cap Hex. Hd.	78	21 2	3250-27	Screw - Truss Hd.	84	14 2
328-10	Screw - Cap Hex. Hd.	85	37 2	3253-2	Washer - Lock	24	16 1
328-11	Screw - Cap Hex. Hd.	42	26 2	3253-2	Washer - Lock	44	21 16
328-24	Screw - Cap Hex. Hd.	86	58 4	3253-2	Washer - Lock	47	65 2
328-26	Screw - Cap Hex. Hd.	85	28 12	3253-3	Washer - Lock	23	9 10
3210-7	Screw - Cap Hex. Hd.	37	40 1	3253-3	Washer - Lock	11	15 4
3213-2	Screw - Cap Hex. Hd.	25	22 4	3253-3	Washer - Lock	36	16 8
3217-7	Nut - Hex.	22	19 1	3253-3	Washer - Lock	37	46 2
3217-7	Nut - Hex.	37	34 1	3253-3	Washer - Lock	47	74 1
3217-7	Nut - Lock	9	1 1	3253-7	Washer - Lock	37	13 2
3217-9	Nut - Hex.	37	14 2	3253-7	Washer - Lock	25	21 8
3217-9	Nut - Hex.	78	26 16	3253-7	Washer - Lock	78	25 16
3217-9	Nut - Jam	81	37 2	3253-7	Washer - Lock	32	30 22
3217-26	Nut - Lock	9	7 1	3253-8	Washer - Lock	93	14 1
3219-2	Nut - Hex.	37	29 1	3253-8	Washer - Lock	32	26 16
3219-5	Nut - Hex.	32	31 18	3253-9	Washer - Lock	89	20 4
3219-7	Nut - Lock	89	19 4	3253-15	Washer - Lock	14	21 A/R
3219-10	Nut - Jam	73	24 3	3253-21	Washer - Lock	9	2 2
3219-14	Nut - Hex.	46	1 2	3253-21	Washer - Lock	22	5 2
3219-14	Nut - Hex.	18	7 2	3253-21	Washer - Lock	25	5 8
3219-14	Nut - Hex.	24	17 1	3253-21	Washer - Lock	23	6 4
3220-1	Nut - Jam	46	50 2	3253-21	Washer - Lock	2	10 2
3220-2	Nut - Jam	7	17 1	3253-21	Washer - Lock	72	14 2
3220-4	Nut	28	53 1	3253-21	Washer - Lock	32	17 14
3220-4	Nut - Bulkhead	29	12 8	3253-21	Washer - Lock	4	17 4
3220-5	Nut - Jam	9	19 1	3253-21	Washer - Lock	11	19 4
3220-7	Nut - Jam	89	12 4	3253-21	Washer - Lock	36	19 8
3220-7	Nut - Jam	75	28 2	3253-21	Washer - Lock	43	22 6
3220-22	Nut - Jam	88	4 4	3253-21	Washer - Lock	24	29 3
3229-8	Bolt - Carriage	11	35 3	3253-21	Washer - Lock	37	32 3
3230-22	Bolt - Carriage	2	20 1	3253-21	Washer - Lock	44	35 12
3231-22	Bolt - Carriage	93	7 6	3253-21	Washer - Lock	47	75 4
3231-25	Bolt - Carriage	84	9 2	3254-2	Washer	89	26 4
3231-25	Bolt - Carriage	83	20 2	3254-2	Washer - Lock	72	25 1
3231-28	Bolt - Carriage	81	12 2	3254-6	Washer - Lock	19	25 1
3231-28	Bolt - Carriage	91	27 4	3256-1	Washer - Flat	46	48 1
3231-30	Bolt - Carriage	37	33 1	3256-3	Washer - Flat	47	67 3
3233-9	Bolt - Carriage	83	9 3	3256-5	Washer - Flat	22	7 2
3233-9	Bolt - Carriage	90	22 12	3256-6	Washer - Flat	9	17 1
3233-9	Bolt - Carriage	84	30 3	3256-7	Washer - Flat	1	26 1
3233-27	Bolt - Carriage	81	42 1	3256-22	Washer - Flat	14	2 8
3233-28	Bolt - Carriage	90	12 6	3256-22	Washer - Flat	30	11 2
3233-29	Bolt - Carriage	90	11 2	3256-22	Washer - Flat	11	12 4
3233-30	Bolt - Carriage	91	22 6	3256-22	Washer - Flat	4	44 1
3233-30	Bolt - Carriage	82	59 1	3256-23	Washer	13	2 4
3234-5	Screw - Cap Hex. Hd.	1	11 4	3256-23	Washer - Flat	2	16 4
3234-7	Screw - Hex. Washer Hd.	11	2 11	3256-23	Washer - Flat	30	24 1
3234-12	Screw - Hex. Flange Hd.	75	10 2	3256-23	Washer - Flat	28	68 2
3234-12	Screw - Hex. Flange Hd.	82	53 4	3256-24	Washer - Flat	72	15 2
3234-12	Screw - Hex. Washer Hd.	91	2 8	3256-24	Washer - Flat	93	16 A/R
3234-13	Screw - Hex. Flange Hd.	37	36 4	3256-24	Washer - Flat	43	24 6
3234-13	Screw - Hex. Washer Hd.	22	8 1	3256-24	Washer - Flat	1	27 2
3234-13	Screw - Hex. Washer Hd.	7	19 2	3256-24	Washer - Flat	36	27 4
3234-14	Screw - Cap Hex. Hd.	43	11 6	3256-26	Washer - Flat	18	13 1
3234-14	Screw - Cap Hex. Hd.	9	12 1	3256-26	Washer - Flat	4	29 3
3234-14	Screw - Cap Hex. Hd.	6	18 3	3256-26	Washer - Flat	33	45 4
3234-14	Screw - Cap Hex. Hd.	1	23 6	3256-26	Washer - Flat	47	54 8
3234-14	Screw - Cap Hex. Hd.	11	25 2	3256-27	Washer - Flat	1	24 1
3234-14	Screw - Hex. Flange Hd.	30	2 6	3256-56	Washer - Flat	30	21 8
3234-14	Screw - Hex. Flange Hd.	10	5 4	3256-56	Washer - Flat	85	40 3
3234-14	Screw - Hex. Flange Hd.	19	8 6	3256-56	Washer - Flat	44	47 2
3234-14	Screw - Hex. Flange Hd.	27	25 4	3256-56	Washer - Flat	28	67 2
3234-14	Screw - Hex. Washer Hd.	46	20 4	3256-69	Washer	83	26 2
3234-14	Screw - Hex. Washer Hd.	4	25 8	3256-69	Washer	84	35 2
3234-17	Screw - Hex. Flange Hd.	72	6 4	3258-19	Screw - Machine	46	14 2
3234-28	Screw - Hex. Flange Hd.	27	10 2	3269-6	Washer - Backup	42	33 22
3245-31	Screw - Set	9	8 1	3269-15	Rivet - Pop	42	32 22
3245-32	Screw - Set	9	26 1	3269-25	Rivet - Pop	29	1 4
3249-11	Screw	28	78 2	3269-25	Rivet - Pop	83	1 4
3249-11	Screw - Cap Hex. Hd.	37	30 2	3269-25	Rivet - Pop	84	1 4

*Not Illustrated

TORO PART NUMBER INDEX (Cont.)

Part No.	Description	Pg. Ref.		Part No.	Description	Pg. Ref.	
		No.	Qty.			No.	Qty.
3269-25	Rivet - Pop	91	17 16	3296-49	Nut - Lock	4	20 1
3269-25	Rivet - Pop	81	29 8	3296-53	Nut - Lock	80	16 4
3272-1	Pin - Cotter	19	4 6	3296-53	Nut - Lock	90	31 8
3272-1	Pin - Cotter	18	9 3	3296-54	Nut - Lock	1	4 4
3272-5	Pin - Cotter	6	6 1	3296-59	Nut - Lock	36	35 2
3272-5	Pin - Cotter	4	43 1	3296-68	Nut - Lock	78	1 2
3272-6	Pin - Cotter	72	4 1	3296-68	Nut - Lock	75	11 1
3272-6	Pin - Cotter	6	9 2	3296-68	Nut - Lock	90	14 2
3272-6	Pin - Cotter	19	10 2	3296-68	Nut Lock	85	35 2
3272-6	Pin - Cotter	32	14 2	32103-3	Nut - Wing	44	33 2
3272-6	Pin - Cotter	36	22 2	32104-16	Screw - Tapping	13	7 4
3272-6	Pin - Cotter	9	22 1	32105-1	Screw - Cap Hex. Hd.	13	17 2
3272-6	Pin - Cotter	46	47 1	32105-1	Screw - Machine	83	11 4
3272-7	Pin - Cotter	9	23 2	32105-1	Screw - Machine	84	16 4
3272-7	Pin - Cotter	81	45 1	32105-1	Screw - Machine	81	27 8
3272-10	Pin - Cotter	7	16 1	32105-1	Screw - Pan Hd.	91	21 16
3272-10	Pin - Cotter	9	18 1	32105-12	Screw - Hex. Socket Hd.	11	7 2
3272-10	Pin - Cotter	36	26 2	32105-13	Screw - Hex. Hd.	11	8 4
3272-12	Pin - Cotter	88	2 4	32107-11	Nut - Square	46	27 2
3272-12	Pin - Cotter	7	6 1	32108-103	Screw - Flat Hd.	81	18 4
3272-12	Pin - Cotter	75	34 6	32108-103	Screw - Machine Flat Hd.	89	9 4
3272-12	Pin - Cotter	78	35 2	32108-103	Screw - Machine Flat Hd.	85	25 4
3272-12	Pin - Cotter	75	26 2	32108-103	Screw - Machine Flat Hd.	28	40 4
3272-13	Pin - Cotter	78	18 4	32120-22	Ring - Retaining Internal	32	24 2
3272-23	Pin - Cotter	85	24 2	32120-47	Ring - Retaining	78	31 2
3272-33	Pin - Cotter	36	18 8	32120-47	Ring - Retaining	88	14 16
3274-7	Screw - Cap Socket Hd.	37	11 2	32120-64	Ring - Retaining	1	25 2
3274-50	Screw - Hex. Socket Hd.	27	15 1	32120-72	Ring - Retaining	84	5 1
3274-86	Screw - Cap Socket Hd.	13	1 4	32120-72	Ring - Retaining	81	21 1
3290-133	Screw - Round Hd.	14	3 8	32120-72	Ring - Retaining	32	33 2
3290-133	Screw - Round Hd.	11	11 4	32121-4	Pin - Roll	1	13 1
3290-134	Screw - Cap Hex. Hd.	43	13 4	32121-4	Pin - Roll	2	18 1
3290-216	Washer - Bevel	75	9 12	32121-4	Pin - Roll	83	28 2
3290-216	Washer - Bevel	44	25 4	32121-4	Pin - Roll	84	37 2
3290-271	Rivet - Pop	44	46 4	32121-6	Pin - Roll	83	18 2
3290-307	Pin - Cotter, Hair	6	25 2	32121-6	Pin - Roll	84	21 2
3290-321	Screw - Cap Hex. Hd.	43	5 12	32121-34	Pin - Roll	89	17 2
3290-321	Screw - Cap Hex. Hd.	72	20 1	32121-34	Pin - Roll	77	18 1
3290-321	Screw - Cap Hex. Hd.	44	22 16	32121-49	Pin - Roll	88	17 2
3290-321	Screw - Hex. Washer Hd.	42	14 20	32121-110	Pin - Roll	75	4 1
3290-343	Pin - Cotter Hair	80	11 2	32121-110	Pin - Roll	90	17 2
3290-378	Tie - Cable	11	* 25	32121-110	Pin - Roll	78	23 2
3290-378	Tie - Cable	6	* 3	32121-110	Pin - Roll	85	27 2
3290-378	Tie - Cable	82	* 2	32121-110	Pin Roll	89	24 4
3290-378	Tie - Cable	86	* 3	32122-53	Screw - Pan Head	1	7 4
3290-378	Tie - Cable	91	* 24	32122-53	Screw - Phil. Truss Hd.	11	9 2
3290-378	Tie - Cable	11	18 2	32128-19	Nut - Lock Flange Hd.	1	21 2
3290-378	Tie - Cable	78	41 1	32128-20	Nut - Flange Lock	44	19 5
3290-378	Tie - Cable	4	36 5	32128-20	Nut - Flange Lock	4	22 2
3290-384	Pin - Lynch	80	1 2	32128-20	Nut - Flange Lock	11	27 2
3290-384	Pin - Lynch	90	2 8	32128-20	Nut - Flange Lock	46	30 4
3290-392	Nut - Lock	14	17 1	32128-20	Nut - Lock	9	13 1
3290-495	Pin - Lynch	27	2 2	32128-20	Nut - Lock	6	17 3
3296-2	Nut - Flange Lock	43	7 12	32128-20	Nut - Lock	81	19 4
3296-2	Nut - Flange Lock	42	12 20	32128-20	Nut - Lock	30	38 4
3296-2	Nut - Flange Lock	72	24 1	32128-21	Nut - Flange Lock	37	2 2
3296-2	Nut - Lock	83	2 6	32128-21	Nut - Flange Lock	91	4 12
3296-2	Nut - Lock	84	10 6	32128-21	Nut - Flange Lock	93	9 6
3296-2	Nut - Lock	13	15 2	32128-21	Nut - Flange Lock	81	10 6
3296-2	Nut - Lock	91	19 16	32128-21	Nut - Flange Lock	83	10 6
3296-2	Nut - Lock	11	21 6	32128-21	Nut - Flange Lock	84	22 6
3296-2	Nut - Lock	81	34 8	32128-21	Nut - Lock	7	8 3
3296-3	Nut - Lock	36	29 2	32128-23	Nut - Flange Lock	80	3 4
3296-9	Nut - Lock	6	14 2	32128-23	Nut - Flange Lock	90	7 20
3296-9	Nut - Lock	37	37 2	32128-23	Nut - Flange Lock	83	8 3
3296-23	Nut - Lock	18	14 1	32128-23	Nut - Flange Lock	91	25 6
3296-29	Nut - Lock	1	12 4	32128-23	Nut - Flange Lock	84	26 4
3296-29	Nut - Lock	2	17 4	32128-23	Nut - Flange Lock	4	34 3
3296-41	Nut - Lock	88	8 2	32128-23	Nut - Flange Lock	81	35 4
3296-42	Nut - Keps	18	1 3	32128-23	Nut - Lock	75	8 12
3296-42	Nut - Lock	14	4 4	32128-25	Nut - Lock	25	19 4
3296-49	Nut - Lock	93	2 1	32128-25	Nut - Lock	36	20 2

*Not Illustrated

TORO PART NUMBER INDEX (Cont.)

3316-682

Part No.	Description	Pg. Ref. No. No. Qty.	Part No.	Description	Pg. Ref. No. No. Qty.
32128-43	Nut - Lock	80 19 16	340-9	Fitting - Hydraulic St. L.H.	32 10 1
32128-43	Nut - Lock	90 25 32	340-9	Fitting - Hydraulic Straight	73 18 7
32128-45	Nut - Lock	90 8 8	340-15	Fitting - Hydraulic Elbow	37 20 3
32136-2	Nut - Castle	88 1 4	340-22	Fitting - Hydraulic Tee	24 2 1
32136-2	Nut - Castle	75 41 2	340-57	Fitting - Hydraulic Straight	78 45 2
32136-2	Nut - Slotted	78 36 2	340-65	Seal - O-Ring	73 12 2
32136-4	Nut - Castle	9 21 1	340-65	Seal - O-Ring	24 22 1
32136-13	Nut - Castle	75 33 4	340-65	Seal - O-Ring	44 28 3
32140-40	Screw - Cap Hex. Hd.	22 3 5	340-68	Fitting - Hydraulic Bulk. Tee	78 14 1
32144-11	Screw - Hex. Flange Hd.	42 21 8	340-68	Fitting - Hydraulic Bulkhead	75 2 2
32144-11	Screw - Thread Forming	86 60 4	340-70	Nut - Bulkhead	27 4 6
32144-19	Screw - Round Hd.	13 24 4	340-70	Nut - Bulkhead	78 13 1
32144-64	Screw - Hex. Washer Hd.	4 13 4	340-70	Nut - Bulkhead	85 15 10
32144-69	Screw - Cap, Hex. Hd.	45 54 6	340-70	Nut - Bulkhead	76 48 2
32144-96	Screw - Mach. Round Hd.	4 42 3	340-71	Fitting - Hydraulic Bulkhead	27 7 1
32149-2	Nut - Keps	42 2 16	340-74	Nut - Bulkhead	85 11 4
32149-2	Nut - Keps	9 4 4	340-77	Fitting - Hydraulic Elbow	78 19 4
32149-2	Nut - Keps	19 7 2	340-77	Fitting - Hydraulic Elbow	85 41 4
32149-2	Nut - Keps	72 8 3	340-78	Nut - Bulkhead	30 34 4
32149-2	Nut - Keps	43 16 16	340-79	Fitting - Hydraulic 90° Elbow	24 23 1
32149-2	Nut - Keps	7 20 2	340-82	Fitting - Hydraulic Elbow	32 4 2
32149-2	Nut - Keps	46 33 5	340-86	Fitting - Hydraulic Tee	19 15 2
32149-2	Nut - Keps	11 36 3	340-91	Fitting - Hydraulic Straight	32 6 4
32149-2	Nut - Keps	28 55 2	340-92	Fitting - Hydraulic Straight	21 7 2
32149-7	Nut	43 30 4	340-92	Fitting - Hydraulic	28 56 1
32149-7	Nut - Keps	11 23 3	340-94	Tee - Hydraulic	21 35 1
32151-10	Ring - Retaining	75 14 2	340-105	Fitting - Hydraulic Elbow	38 55 1
32151-10	Ring - Retaining	89 21 2	340-123	Fitting - Hydraulic	28 61 1
32151-48	Ring - Retaining	80 8 4	340-124	Fitting - Hydraulic Straight	44 16 2
32151-100	Ring - Retaining	36 2 2	340-125	Fitting - Hydraulic	28 59 1
32152-1	Nut	43 31 2	340-126	Nut - Bulkhead	27 3 2
32152-1	Nut - Lock	7 2 2	340-127	Nut - Bulkhead	27 29 2
32152-1	Nut - Lock	85 3 5	340-128	Nut - Bulkhead	30 3 2
32152-1	Nut - Lock	89 7 4	340-129	Fitting - Hydraulic Elbow	73 13 1
32152-1	Nut - Lock	6 12 4	340-130	Fitting - Hydraulic 90°	23 18 1
32152-1	Nut - Lock	30 13 8	340-130	Fitting - Hydraulic Elbow	38 54 1
32152-1	Nut - Lock	72 26 2	340-131	Fitting - Hydraulic Elbow	37 16 1
32152-1	Nut - Lock	27 36 1	340-132	Fitting - Hydraulic Elbow	75 44 4
32152-1	Nut - Lock	24 41 3	340-133	Fitting - Hydraulic Straight	4 32 3
32152-1	Nut - Lock	28 42 4	340-134	Fitting - Hydraulic Elbow	37 48 1
32152-1	Nut - Lock	45 57 2	340-135	Seal - O-Ring	25 7 2
32152-1	Nut - Lock	47 57 2	340-136	Seal - O-Ring	24 37 1
32152-2	Nut - Lock	85 5 6	340-142	Fitting - Hydraulic Elbow	81 4 2
32152-2	Nut - Lock	25 16 4	340-142	Fitting - Hydraulic Elbow	73 15 1
32152-2	Nut - Lock	72 22 4	340-142	Fitting - Hydraulic Elbow	33 43 2
32152-2	Nut - Lock	44 27 7	340-148	Fitting - Hydraulic Tee R.H.	32 * 1
32152-2	Nut - Lock	76 47 2	340-150	Cap - Hydraulic	24 38 1
32152-4	Nut - Lock	89 1 4	353-375	Fitting - Hydraulic 90° Elbow	27 12 2
32152-4	Nut - Lock	30 12 6	353-431	Fitting - Hydraulic 45° Elbow	73 42 2
32152-4	Nut - Lock	6 15 2	353-536	Fitting - Fuel 90 Elbow	22 16 1
32152-4	Nut - Lock	37 27 2	353-566	Tee - Hydraulic	21 16 1
32152-4	Nut - Lock	28 45 2	353-781	Fitting - Fuel Elbow	70 3 2
32152-4	Nut Lock	85 23 3	353-947	Cap - Fitting	29 2 8
32153-3	Nut - Lock	37 44 1	353-988	Plug	73 39 4
32153-5	Nut - Lock	44 26 2	353-989	Plug	73 6 1
32153-5	Nut - Lock	46 41 8	353-990	Plug	73 34 1
32153-6	Nut - Lock	85 4 22	353-990	Plug - Hose	21 3 2
32153-6	Nut - Lock	78 20 2	353-991	Plug	73 31 30
32153-6	Nut Lock	42 24 2	353-991	Plug - Hole	21 12 8
340-2	Fitting - Hydraulic Straight	19 23 3	353-992	Flange - Fitting	25 6 4
340-2	Fitting - Hydraulic Straight	21 26 5	353-994	Adapter	7 10 1
340-2	Fitting - Hydraulic Straight	91 11 2	353-997	Fitting - Hydraulic Bulkhead	29 3 8
340-3	Fitting - Hydraulic Straight	19 13 2	354-42	Flange - Half	25 10 2
340-3	Fitting - Hydraulic Straight	23 22 1	354-95	Fitting	45 51 1
340-4	Fitting - Hydraulic Straight	21 23 2	354-104	Ring - Backup	36 5 2
340-8	Fitting - Hydraulic Straight	91 6 4	354-105	Ring - Backup	36 10 2

*Not Illustrated

TABLE OF CONTENTS

Description	Page	Description	Page
Seat Assembly	1	Water Pump Assembly	51
Seat Pivot & Bellows Assembly	2	Timing Gear Case Assembly	52
Seat Suspension Assembly	3	Rocker Cover & Cylinder Head Assembly	53
Steering Tower Assembly	4	Valve & Camshaft Assembly	54
Power Steering Valve Assembly No. 69-1850	5	Crankcase Assembly	55
Steering Brake Assembly	6	Piston, Connecting Rod, Crankshaft & Flywheel ..	56
Service Brake Assembly	7	Oil Pump, Breather & Filter	57
Brake System Master Cylinder No. 69-2640	8	Flywheel Housing & Oil Pan Assembly	58
Traction Pedal & Cruise Control Assembly	9	Intake & Exhaust Manifold Assembly	59
Tool Box Assembly	10	Turbocharger Assembly No. 70-6430	60
Control Box Assembly	11	Turbocharger Oil Pipe Assembly	61
Diagnostic Display Assembly	12	Fuel System Assembly	62-63
Upper Control Panel Assembly	13	Fuel Injection Pump Assembly	64-65
Lower Control Panel Assembly	14	Governor Assembly	66-67
Electrical Schematic	15	Fuel Feed Pump Assembly No. 70-5700	68
Controller Electrical Schematic	16	Air Cleaner Assembly No. 69-1890	69
Operators Control Panel Electrical Schematic	17	Fuel Filter Assembly	70
Throttle Assembly	18	Solenoid Valve Assembly No. 85-6230	71
Lift Valve Installation Assembly	19	Battery Frame Assembly	72
Lift Valve Assembly No. 69-1780	20	PTO Manifold Assembly	73-74
Counterbalance Manifold Assembly	21	Rear Axle Assembly	75-76
Fuel Tank Assembly	22	Hydraulic Cylinder Assembly No. 69-1960	77
Hydraulic Tank Assembly	23	Front Lift Arm Assembly	78
Hydraulic Filter Assembly	24	Hydraulic Cylinder Assembly No. 92-4971	79
Hydraulic Pump Installation Assembly	25	Center Deck Model No. 30592	
Double Gear Pump No. 69-2050	26	Carrier Frame Assembly	80
Frame Assembly	27-28	Center Deck Model No. 30592	81-82
Hydraulic System Diagnostic Panel Assembly	29	Center Deck Model No. 30592	
Hydraulic Line Clamps Assembly	30	Left Wing Assembly	83
Hydraulic Schematic	31	Center Deck Model No. 30592	
Front Wheel Assembly	32-33	Ring Wing Assembly	84
Wheel Motor No. 69-3050	34	Wing Deck Lift Assembly	85-86
Planetary Gear Drive Assembly No. 69-1730	35	Hydraulic Cylinder Assembly No. 74-2170	87
Wheel Brake Assembly	36	Wing Deck Latch Assembly	88
Variable Displacement Pump Installation	37-38	Wing Deck Lift Arm Assembly	89
Gear Pump & Flow Divider No. 69-2220	39	Wing Deck Model No. 30591 L.H. & 30593 R.H. ..	90
Variable Displacement Pump No. 69-3040 ..	40-41	Wing Deck Model No. 30591 L.H. & 30593 R.H.	
Cowl Assembly	42	Drive Assembly	91
Hood Assembly	43	Hydraulic Motor Assembly No. 69-2780	92
Radiator & Oil Cooler Assembly	44-45	Spindle Assembly	93
Engine Installation Assembly	46-47	10" & 13" Segmented Tire Assemblies	
Starter & Alternator Installation Assembly	48	(Optional)	94
Starter Motor Assembly No. 70-5860	49	TORO Part Number Index	95-111
Alternator Assembly No. 70-5760	50		