



Power Max 826 OE Snowthrower

Model No. 38624 - 290000001 and up.

Parts Catalog

Ordering Replacement Parts

To order replacement parts, please supply the part number, the quantity, and the description of each part desired.

Understanding Reference Numbers

Each identified part in an illustration has a reference number. The reference number for a part also appears in the parts list, along with other information about the part.

This catalog uses two special reference number formats, one to indicate parts in a service assembly and another to indicate the quantity of a given part in an illustration.

Service Assembly Reference Numbers

Parts in service assemblies have reference numbers in the form a:b. The a represents the reference number of the entire service assembly and the b represents a sequential number unique to each part within the service assembly.

For example, a wheel assembly might be identified by reference number 6, the tire by 6:1, the valve by 6:2, and the wheel by 6:3. When you order the assembly identified by reference number 6, you receive all parts identified by reference numbers 6:1, 6:2, and 6:3. However, you may also order any part individually. Reference numbers of this type appear in illustrations and in part lists.

Reference Numbers Indicating Quantity

In an illustration, if a reference number indicates more than one part, the reference number has the form nX y. The n represents the quantity of the part, the X is the multiplication symbol, and the y represents the reference number.

For example, in an illustration, the reference number 2X 37 means that two of the parts identified by reference number 37 are indicated.

Contents

Description	Page	Description	Page
Auger and Housing Assembly 3	Cylinder Head Assembly Briggs and Stratton 15D104-0113-E8 15
26 Inch Auger Gearcase Assembly No. 108-7328 4	Carburetor and Fuel Tank Assembly Briggs and Stratton 15D104-0113-E8 16
Chute Assembly 5	Rewind Starter and Starter Motor Assembly Briggs and Stratton 15D104-0113-E8 17
Frame Assembly 6	Governor, Controls and Ignition Assembly Briggs and Stratton 15D104-0113-E8 18
Chain Drive Assembly 8	Muffler, Blower Housing and Flywheel Assembly Briggs and Stratton 15D104-0113-E8 19
Handle Assembly 9	Snow Hood, Snow Shield and Panel Briggs and Stratton 15D104-0113-E8 20
Handle and Control Assembly 10	Engine and Valve Gasket Sets Briggs and Stratton 15D104-0113-E8 21
Lever Chute Control Assembly 11	Carburetor Overhaul Kit Briggs and Stratton 15D104-0113-E8 22
Engine Assembly 12	Attachments and Accessories List 23
Cylinder Assembly Briggs and Stratton 15D104-0113-E8 13		
Crankshaft, Piston, Ring and Connecting Rod Assembly Briggs and Stratton 15D104-0113-E8 14		

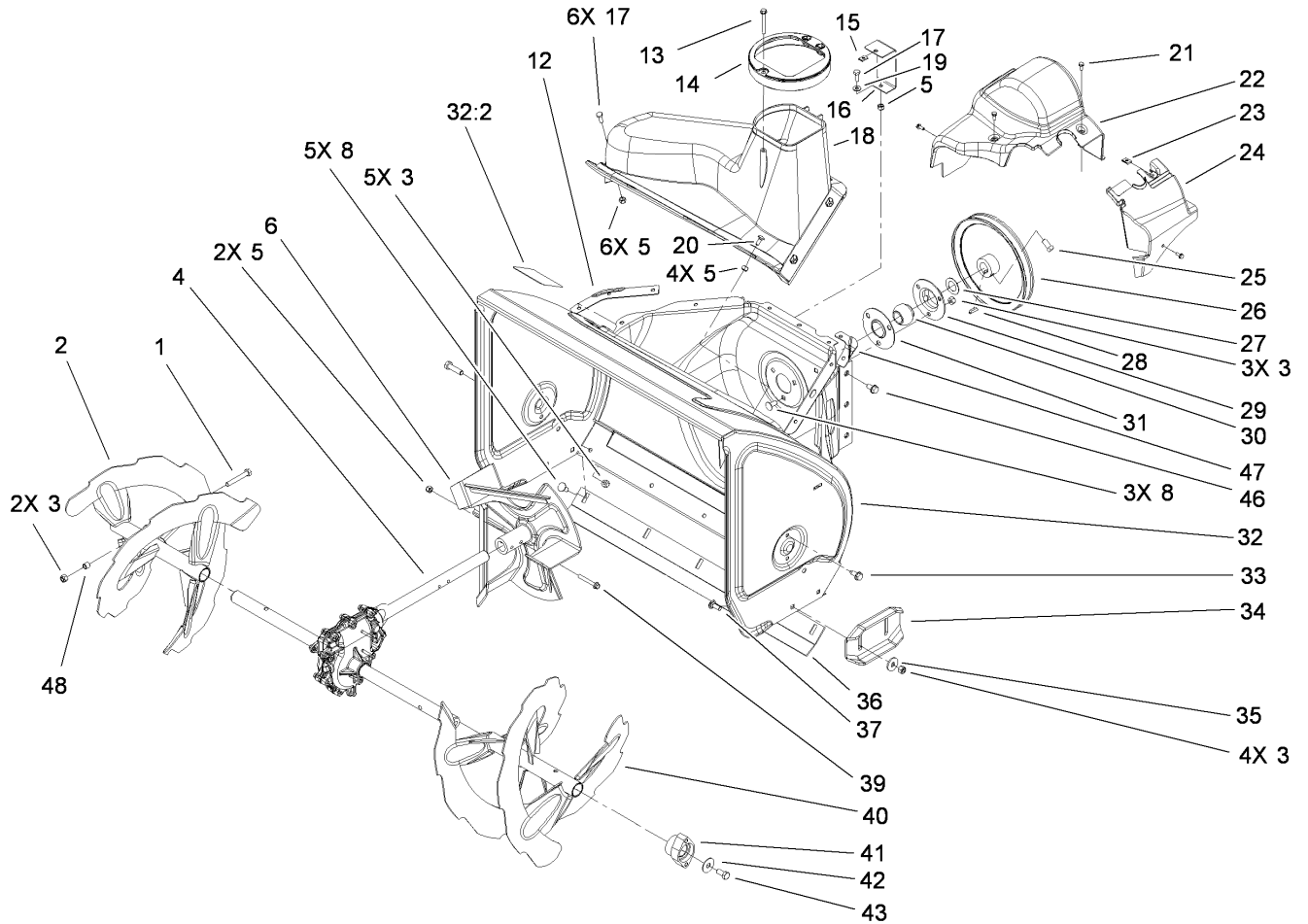
Part Description Abbreviations

Part descriptions in this catalog may include the following abbreviations.

AR. as required	HYD. hydraulic
ASM. assembly	LH. left hand
BBC. blade brake clutch	NI. nylon insert
CARR. carriage	NPTF. national pipe thread fine
DEG. degrees	PFH. phillips flat head
EXT. external	PPH. phillips pan head
FH. flat head	PPHTF. phillips pan head thread forming
GA. gauge	PRH. phillips round head
HD. heavy-duty	PTH. phillips truss head
HF. hex flange	PTO. power-take-off
HH. hex head	RH. right hand
HHF. hex head flange	ROPS. roll-over protection system
HHFTF. hex head flange thread forming	SFH. slotted fillister head
HJ. hex jam	SHH. slotted hex head
HLH. hex lag head	SHWH. slotted hex washer head
HOC. height-of-cut	SPH. slotted pan head
HSBH. hex socket button head	SQH. square head
HSFH. hex socket flat head	SRH. slotted round head
HSH. hex socket head	STD. standard
HWH. hex washer head	TAP. self tapping
HWHTF. hex washer head thread forming	TTH. torx truss head

Footnotes

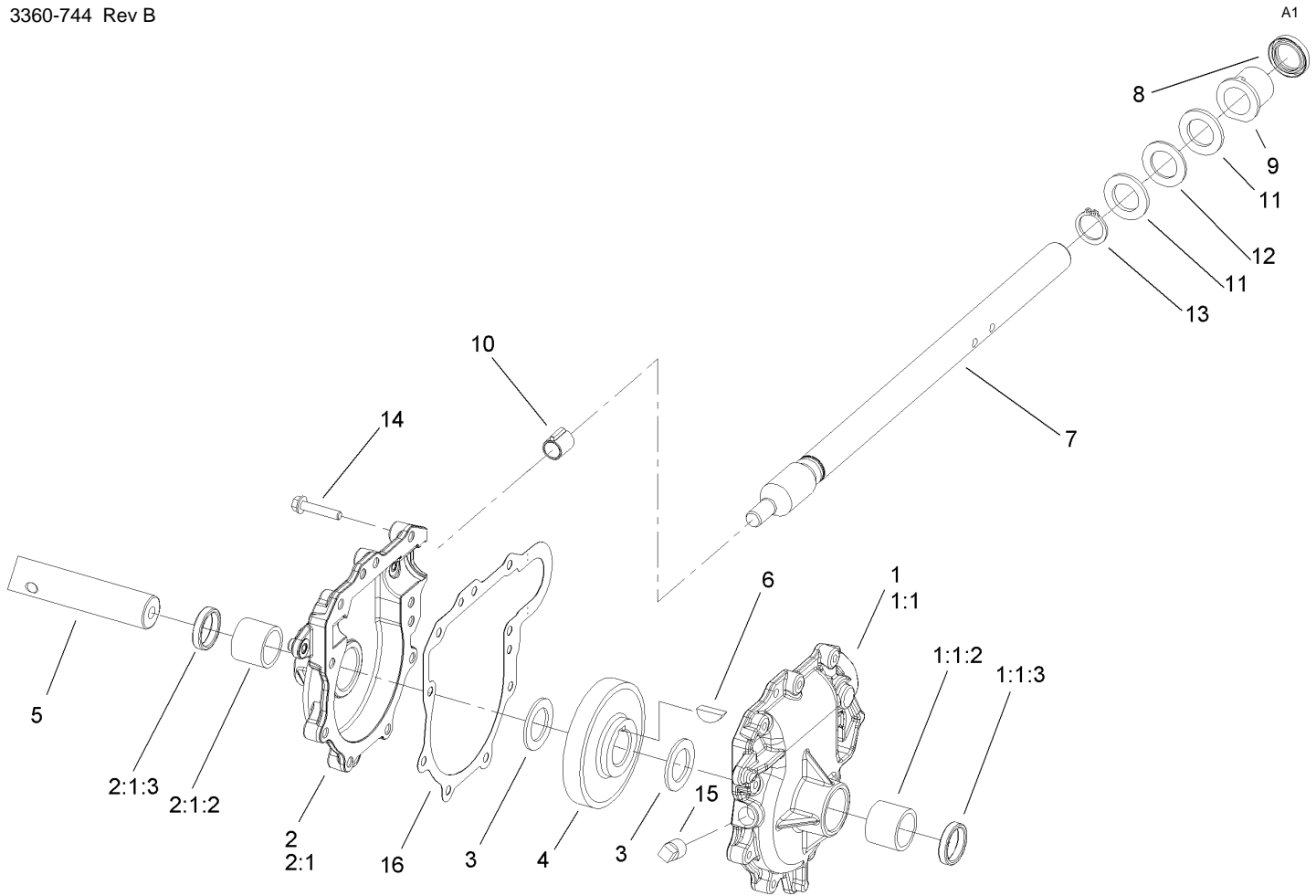
- | | |
|--|---|
| ❶ Not serviced separately | ❷ Obtain from your local Briggs & Stratton dealer |
| ❸ Included in Carburetor Overhaul Kit (Ref. No. 121) | ❹ Included in Engine Gasket Set (Ref. No. 358) |
| ❺ Included in Valve Gasket Set (Ref. No. 1095) | |



Auger and Housing Assembly

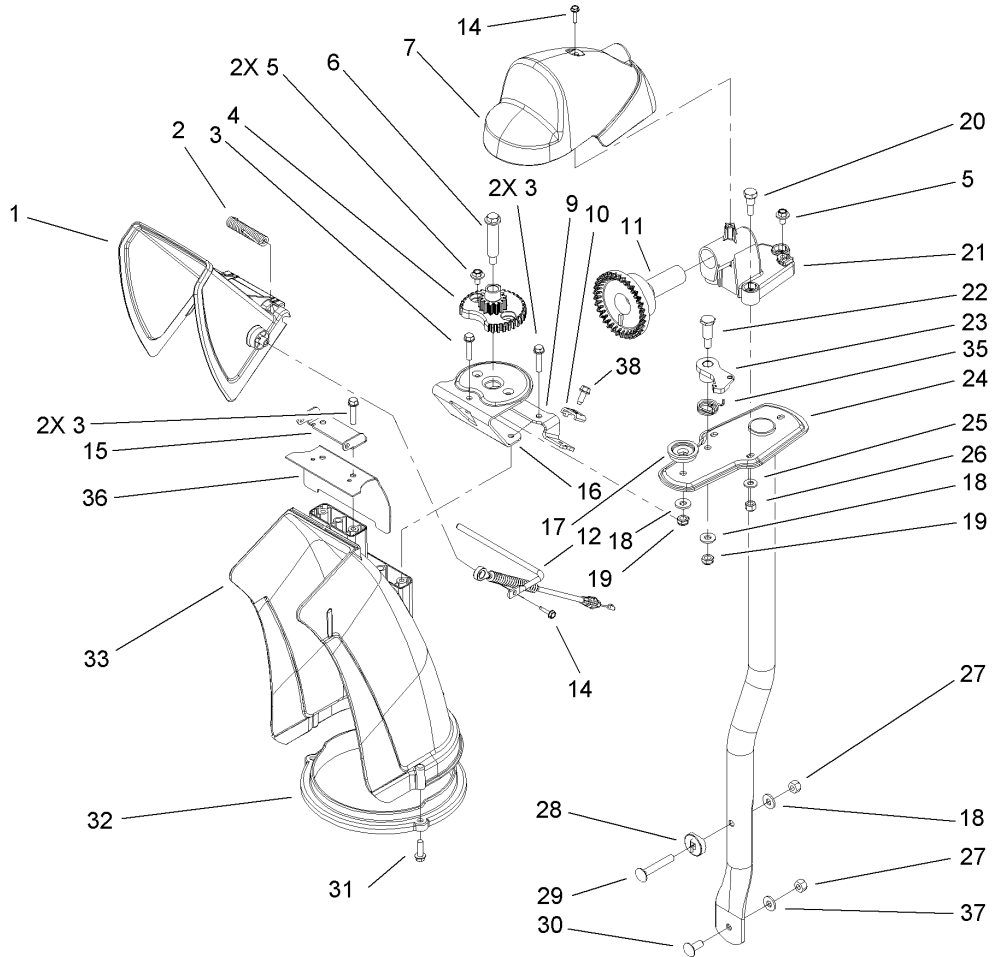
Ref	Part No.	Qty.	Description
1	322-11	2	Screw-HH
2	106-7289-03	1	RH Auger ASM
3	3296-29	14	Nut-Lock, NI
4	108-7328	1	26 Inch Auger Gearcase ASM
5	3296-42	13	Nut-Lock, NI
6	106-4576-03	1	Impeller ASM
8	3230-23	8	Screw-CARR
12	107-1017-03	1	Seal-Flange, Cover
13	107-3003	1	Screw-Plastite
14	107-3006	1	Guide-Chute
15	107-1013	1	Nut-Speed, U-Type
16	107-1014-03	1	Bracket-Cover, Clip Nut
17	321-4	7	Screw-HH
18	108-0017	1	Cover
19	3256-22	1	Washer-Flat
20	3229-1	4	Screw-CARR
21	32144-112	4	Screw-HWH
22	107-1001	1	Cover-Belt
23	701493	1	Nut-Speed
24	107-1016	1	Cover-Extension, Belt
25	3242-4	2	Screw-Set, SQH
26	62-1300	1	Pulley-Impeller
27	252-80	1	Washer-Thrust
28	3257-23	1	Key-Woodruff

Ref	Part No.	Qty.	Description
29	26-6110	1	Flange-Cup, Bearing
30	63-3450	1	Bearing-Ball
31	26-6120	1	Flange-Cup, Bearing
32	107-3821	1	Housing-Auger, 26 Inch
32:2	53-7670	1	Decal-Warning, Auger
33	32144-70	4	Screw-HWHTF
34	106-4588-01	2	Skid
35	52-2861	4	Washer
36	105-9976-01	1	Scraper-Fixed
37	3230-16	4	Screw-CARR
39	321-44	2	Screw-HHF
40	106-7299-03	1	LH Auger ASM
41	106-4570	2	Auger-Bearing
42	3-0750	2	Washer
43	323-4	2	Screw-HH
46	32144-14	6	Screw-HWHTF
47	108-0039-03	1	Seal
48	1-633545	2	Spacer



26 Inch Auger Gearcase Assembly No. 108-7328

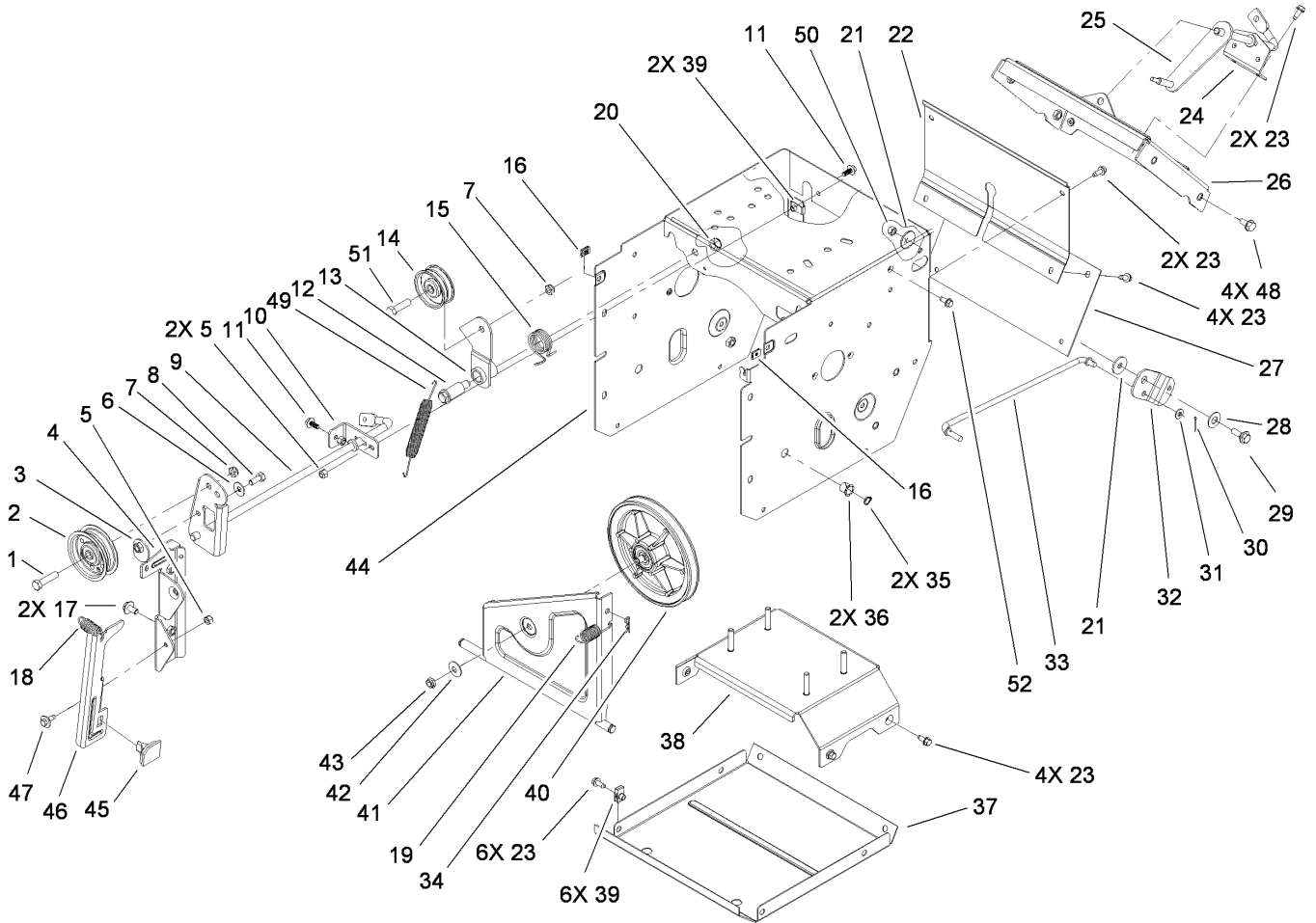
Ref	Part No.	Qty.	Description
1	108-7325	1	LH Auger Gearcase ASM
1:1		1	Gearcase-Auger, LH
1:1:2	112-6635	1	Bushing-Sleeve
1:1:3	7-0045	1	Seal-Oil
2	108-7327	1	RH Auger Gearcase ASM
2:1		1	Gearcase-Auger, RH
2:1:2	112-6635	1	Bushing-Sleeve
2:1:3	7-0045	1	Seal-Oil
3	252-71	2	Washer-Thrust
4	62-0120	1	Gear-Helical
5	106-4579	1	Shaft-Auger
6	3257-10	1	Key-Woodruff
7	66-7811	1	Shaft-Impeller
8	253-149	1	Seal-Oil
9	37-6560	1	Bushing-Input
10	62-1150	1	Bushing-Worm
11	252-78	2	Washer-Thrust
12	252-76	1	Bearing-Thrust
13	32151-33	1	Ring-Retaining, EXT
14	108-4862	9	Screw-HWHTF
15	281-1	1	Plug-Pipe, SQH
16	108-7330	1	Gasket-Gearcase, Auger



Chute Assembly

Ref	Part No.	Qty.	Description
1	112-6606	1	Deflector-Chute
2	106-4594	1	Spring-Torsion
3	46-8092	5	Screw-Plastite
4	106-4472	1	Gear-Chute
5	46-6810	3	Screw And Washer ASM
6	100-9880	1	Bolt-Shoulder
7	106-4585	1	Cover-Gear, Chute
9	106-7296	1	Bracket-Cable, Clamp
10	106-7297	1	Clamp-Cable
11	106-4471	1	Gear-Face
12	107-1021	1	Rod-Deflector
14	98-1375	2	Screw-HWH
15	106-7266	1	Bracket-Deflector
16	106-4582-03	1	Bracket-Support, Chute
17	106-4422	1	Spacer-Chute
18	3256-2	3	Washer-Flat
19	3296-47	2	Nut-Lock, NI
20	106-7276	3	Screw-Shoulder
21	106-7257	1	Mount-Gear, Face
22	63-2650	1	Screw-Shoulder
23	106-4476	1	Latch-Chute
24	106-7253-03	1	Tube-Support
25	3256-22	3	Washer-Flat
26	3296-42	3	Nut-Lock, NI

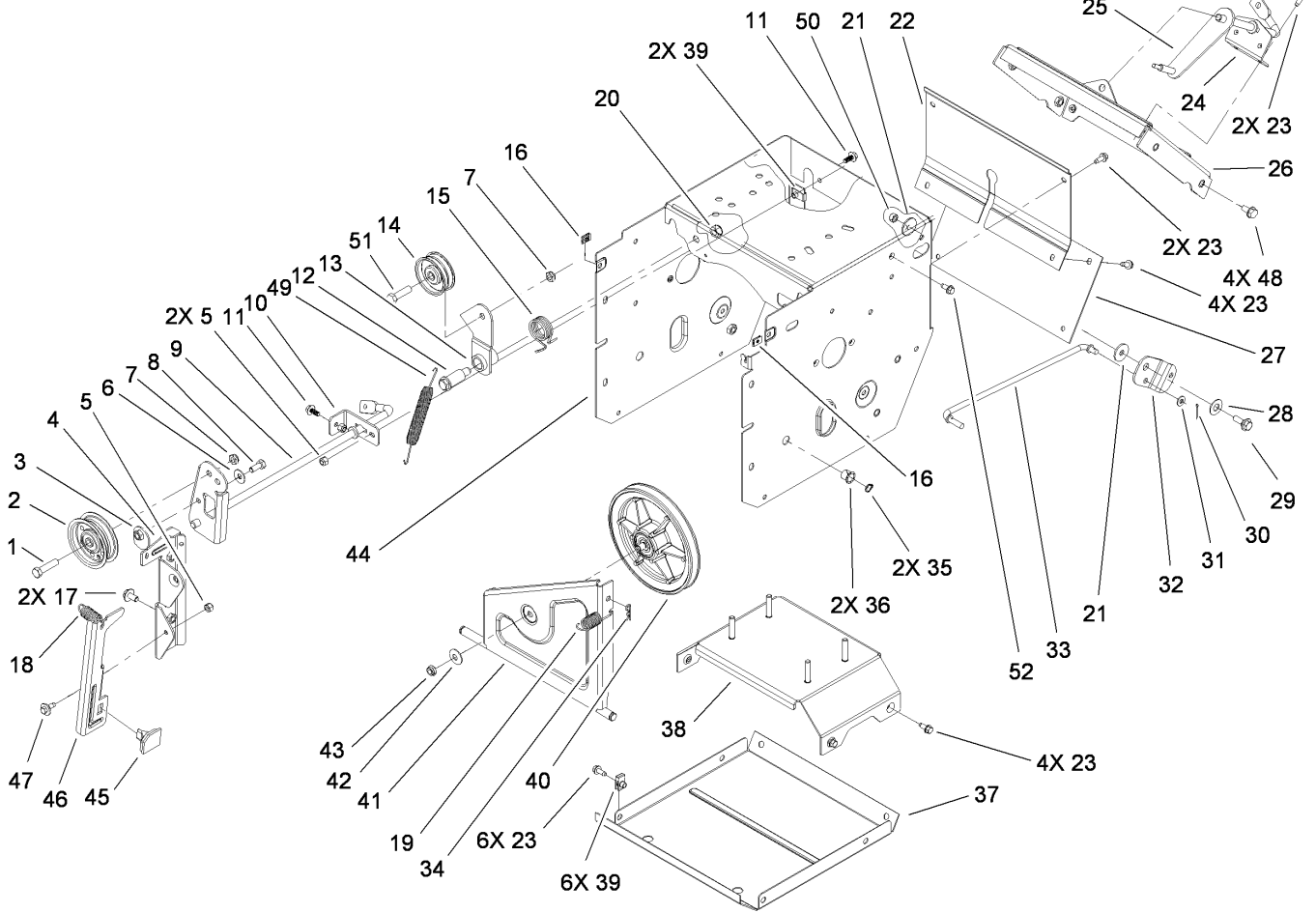
Ref	Part No.	Qty.	Description
27	3296-29	2	Nut-Lock, NI
28	106-7260	1	Washer-Curved
29	3230-5	1	Screw-CARR
30	3230-23	1	Screw-CARR
31	46-8091	3	Screw-HWH
32	105-9991	1	Ring-Chute
33	106-4440	1	Chute-Discharge
35	108-7315	1	Spring-Torsion
36	108-5052	1	Seal-Chute
37	3290-456	1	Washer-Belleville
38	32144-10	1	Screw-HWH



Frame Assembly

Ref	Part No.	Qty.	Description
1	323-8	1	Screw-HH
2	92-7104	1	Pulley-Idler
3	107-1047	1	Nut
4	107-1039	1	Bracket-Idler, Impeller
5	3296-42	3	Nut-Lock, NI
6	3290-456	1	Washer-Belleville
7	3296-59	2	Nut-Lock, NI
8	322-3	1	Screw-HH
9	107-3838-03	1	Impeller Clutch ASM
10	106-7341	1	Bracket-Rear, Clutch
11	99-6810	2	Screw-HH
12	108-5056	1	Bolt-Shoulder
13	108-5058	1	Arm-Idler, Traction
14	3-4244	1	Pulley-Idler
15	108-7332	1	Spring-Torsion
16	107-1013	2	Nut-Speed, U-Type
17	3234-7	2	Screw-HHF
18	107-1045	1	Spring-Extension
19	107-1003	1	Spring-Extension
20	3296-76	1	Nut-Lock, NI
21	5-4460	2	Washer-Pivot
22	106-4556-01	1	Cover-Upper
23	32144-10	16	Screw-HWH
24	108-0036	1	Bracket-Rod, Shift

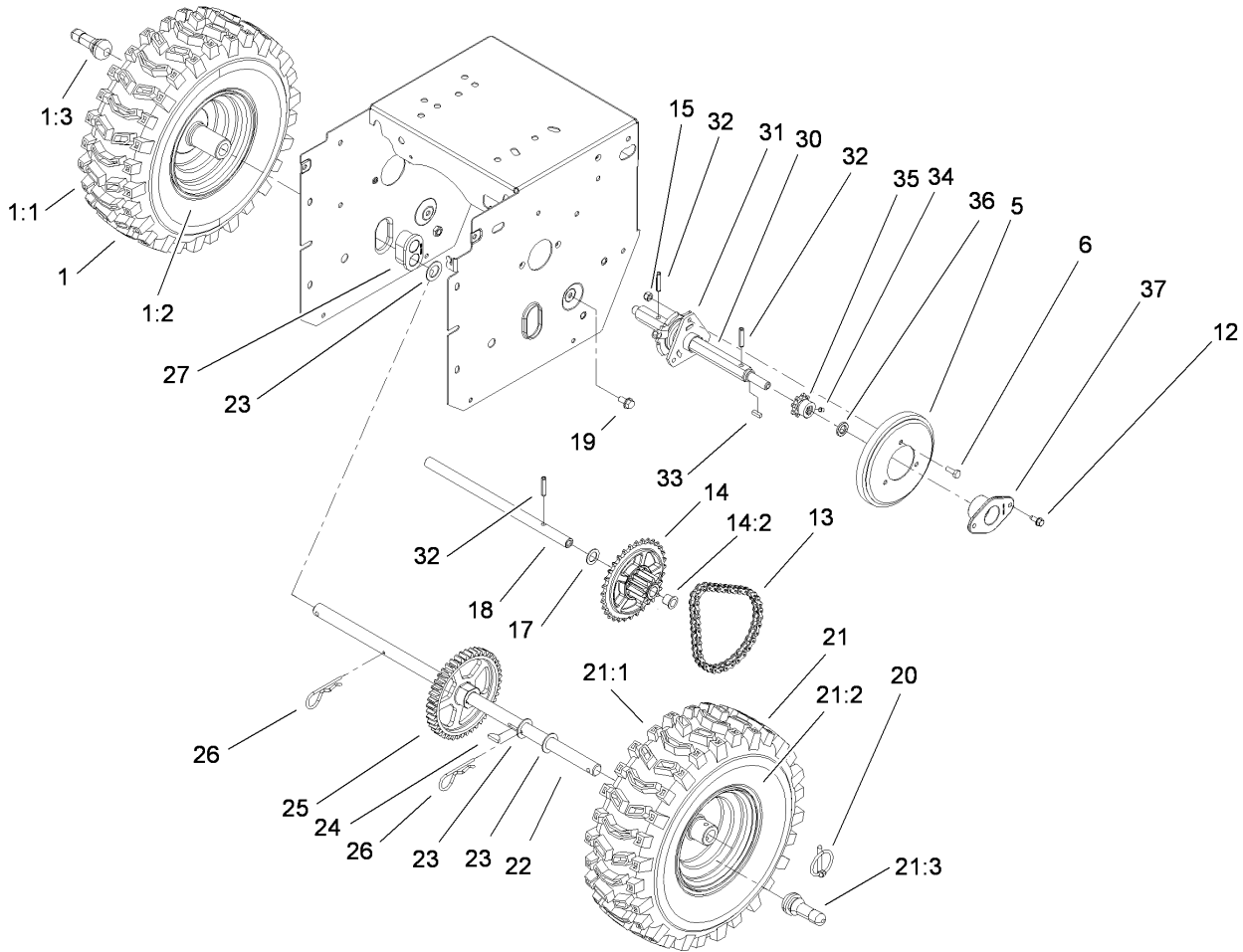
Ref	Part No.	Qty.	Description
25	106-7268	1	Lever-Control, Traction
26	108-0026-01	1	Shift Plate ASM
27	106-7345-01	1	Cover-Lower
28	25-5640	1	Washer
29	27-0410	1	Screw-Shoulder
30	3272-4	1	Pin-Cotter
31	3256-23	1	Washer-Flat
32	107-1011	1	Bellcrank-Drive
33	106-4467	1	Link-Control, Speed
34	3290-307	1	Pin-Hair
35	32151-61	2	Ring-Retaining
36	256-257	2	Bushing-Nyliner
37	106-7330-01	1	Pan-Bottom
38	112-8128	1	Frame Brace ASM
39	107069	8	Clip
40	108-0031	1	Traction Pulley ASM
41	108-7307	1	Friction Wheel Bracket ASM
42	3290-340	1	Washer-Belleville
43	3296-5	1	Nut-Lock
44	114-9259-01	1	Traction Frame ASM
45	66-8060	1	Pad-Brake
46	107-1000	1	Arm-Brake
47	92-9698	1	Screw-Shoulder
48	32144-14	4	Screw-HWHTF



Frame Assembly (continued)

Ref	Part No.	Qty.	Description
49	108-2976	1	Spring-Extension
50	3296-29	1	Nut-Lock, NI
51	323-29	1	Screw-HH
52	32144-4	1	Screw-HWH

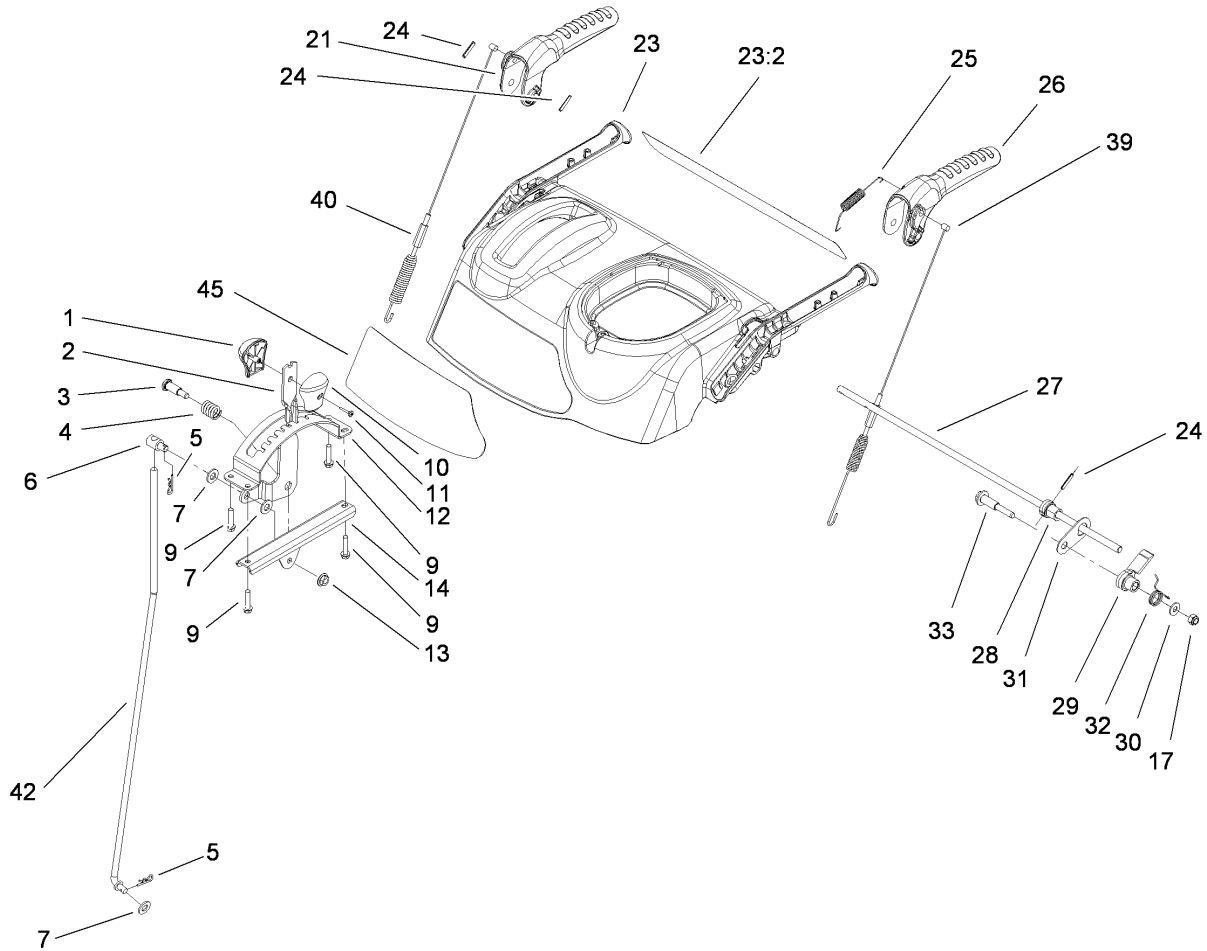
--	--	--	--



Chain Drive Assembly

Ref	Part No.	Qty.	Description
1		1	RH Wheel And Tire ASM
1:1	107-3042	1	Tire
1:2	107-3043	1	Rim-Tire
1:3	232-27	1	Stem-Valve
5	106-4480	1	Wheel-Friction
6	321-4	3	Screw-HH
12	32144-10	4	Screw-HWH
13	108-0016	1	Chain-Roller
13	2710-6	1	Link-Connecting
14	108-0013	1	Sprocket ASM
14:2	108-2974	2	Bushing-Flange
15	3296-42	3	Nut-Lock, NI
17	107-3041	1	Washer-Flat
18	106-4592	1	Shaft-Intermediate
19	32144-14	2	Screw-HWHTF
20	107-3039	2	Klik Pin ASM
21		1	LH Wheel And Tire ASM
21:1	107-3042	1	Tire
21:2	107-3043	1	Rim-Tire
21:3	232-27	1	Stem-Valve
22	106-4449	1	Shaft-Axle
23	3-8664	3	Washer-Thrust
24	3257-7	1	Key-Woodruff
25	106-4572	1	Gear-Axle, 44 Tooth

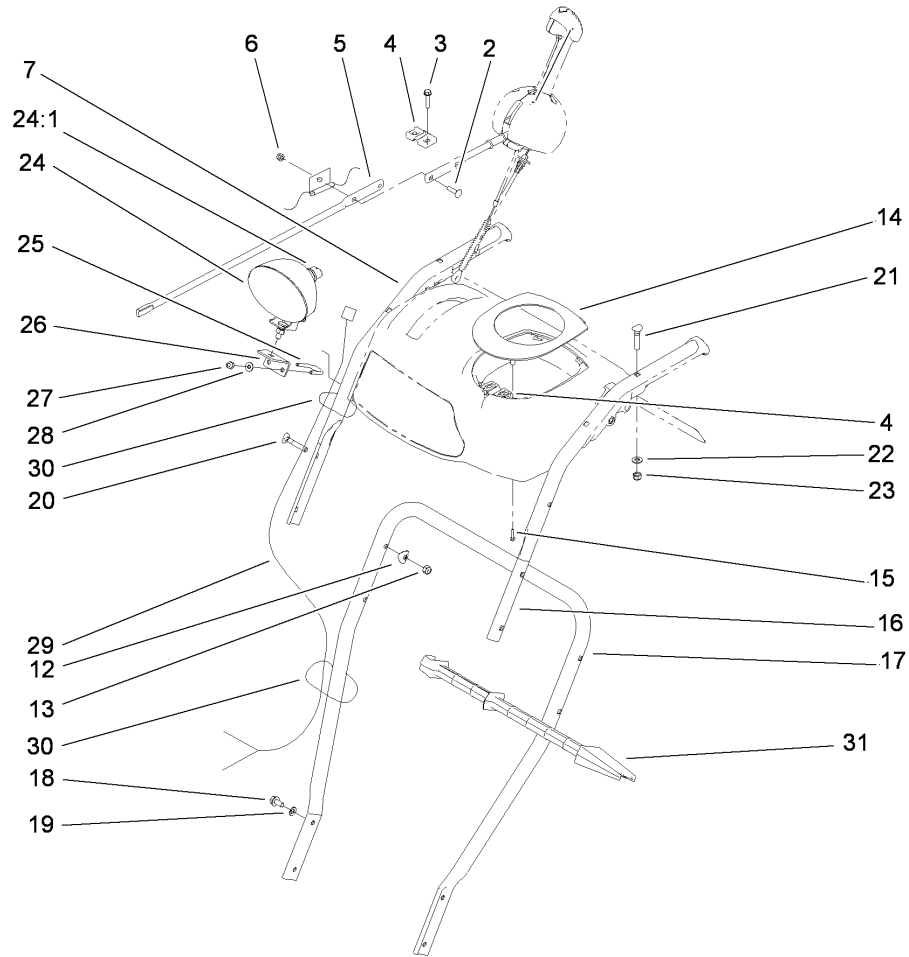
Ref	Part No.	Qty.	Description
26	3290-343	2	Pin-Hair
27	106-4558	2	Bearing-Axle
30	108-5054	1	Shaft-Hex
31	106-4434	1	Trunion-Hex
32	32121-9	3	Pin-Roll, Slotted
33	94-8850	1	Key-Square
34	3245-32	2	Screw-HSH
35	106-7317	1	Sprocket-8 Tooth
36	108-5059	1	Spacer-Bushing
37	108-7319	2	Retainer-Bearing



Handle Assembly

Ref	Part No.	Qty.	Description
1	106-4423	1	Knob-Shift, RH
2	106-7278-03	1	Selector-Speed
3	63-2650	1	Screw-Shoulder
4	108-7313	1	Spring-Compression
5	3290-307	2	Pin-Hair
6	110-3446	1	Trunion-Rod
7	3256-24	3	Washer-Flat
9	46-8092	4	Screw-Plastite
10	105-9999	1	Knob-Shift, LH
11	94-4496	1	Screw-PPH
12	106-7277-03	1	Guide-Selector, Speed
13	32128-13	1	Nut-HF
14	106-7279-03	1	Mount-Selector, Speed
17	3296-72	1	Nut-Lock, NI
21	106-4413	1	Lever-Auger
23	112-6630	1	Control Panel ASM
23:2	112-6623	1	Decal-Control Panel, Back
24	32121-125	3	Pin-Spring
25	107-3001	1	Spring-Tension
26	106-4410	1	Lever-Traction
27	105-9996	1	Rod-Lockout
28	107-1043	1	Cam-Lockout
29	108-0023	1	Latch-Lockout
30	98-3499	1	Washer-Flat

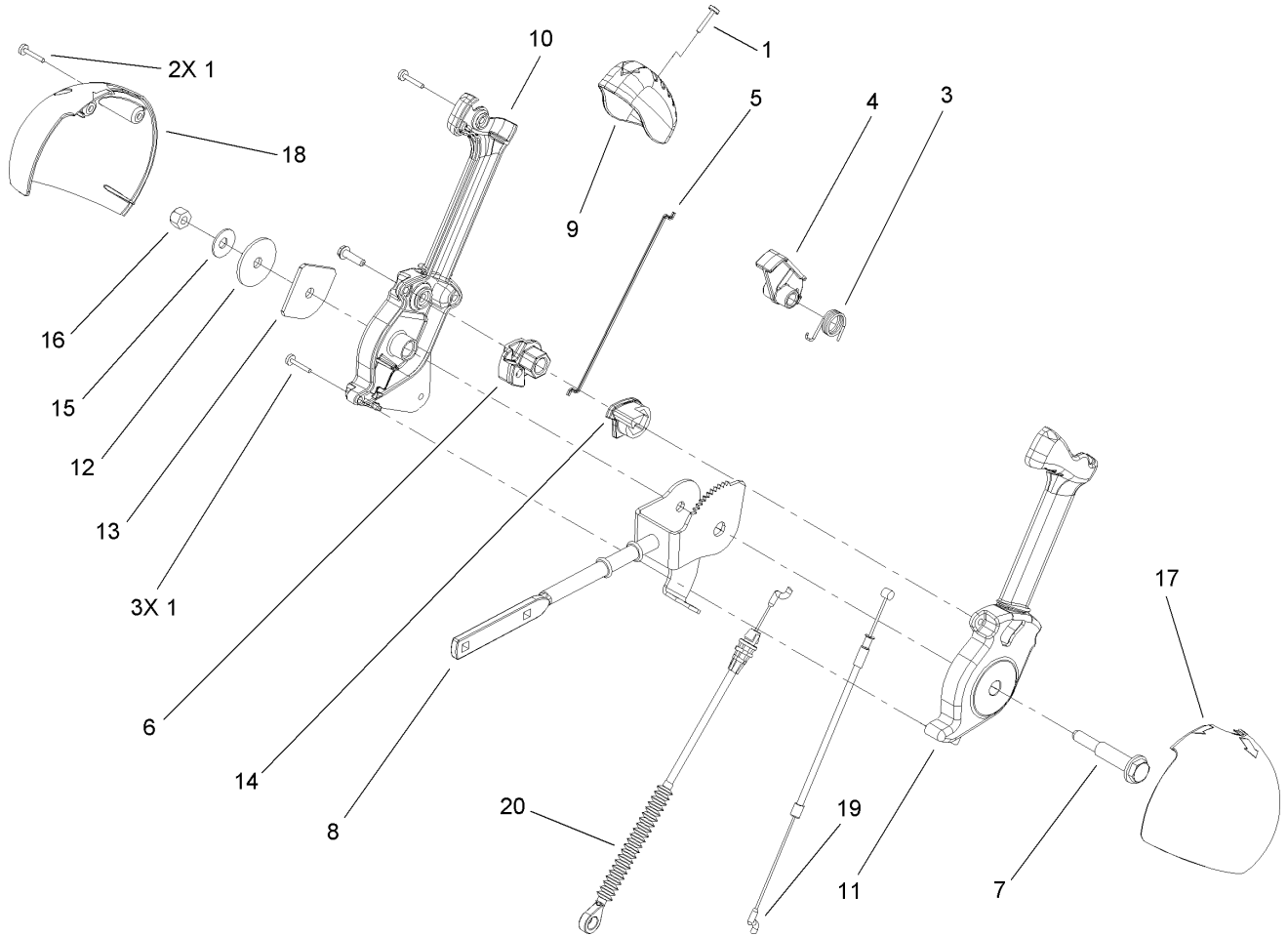
Ref	Part No.	Qty.	Description
31	107-3000	1	Link-Lockout
32	108-0024	1	Spring-Torsion
33	106-4412	1	Screw-Shoulder
39	115-5671	1	Cable-Traction
40	115-5680	1	Cable-Auger
42	107-1005	1	Rod-Shift
45	115-5668	1	Decal-Control Panel



Handle and Control Assembly

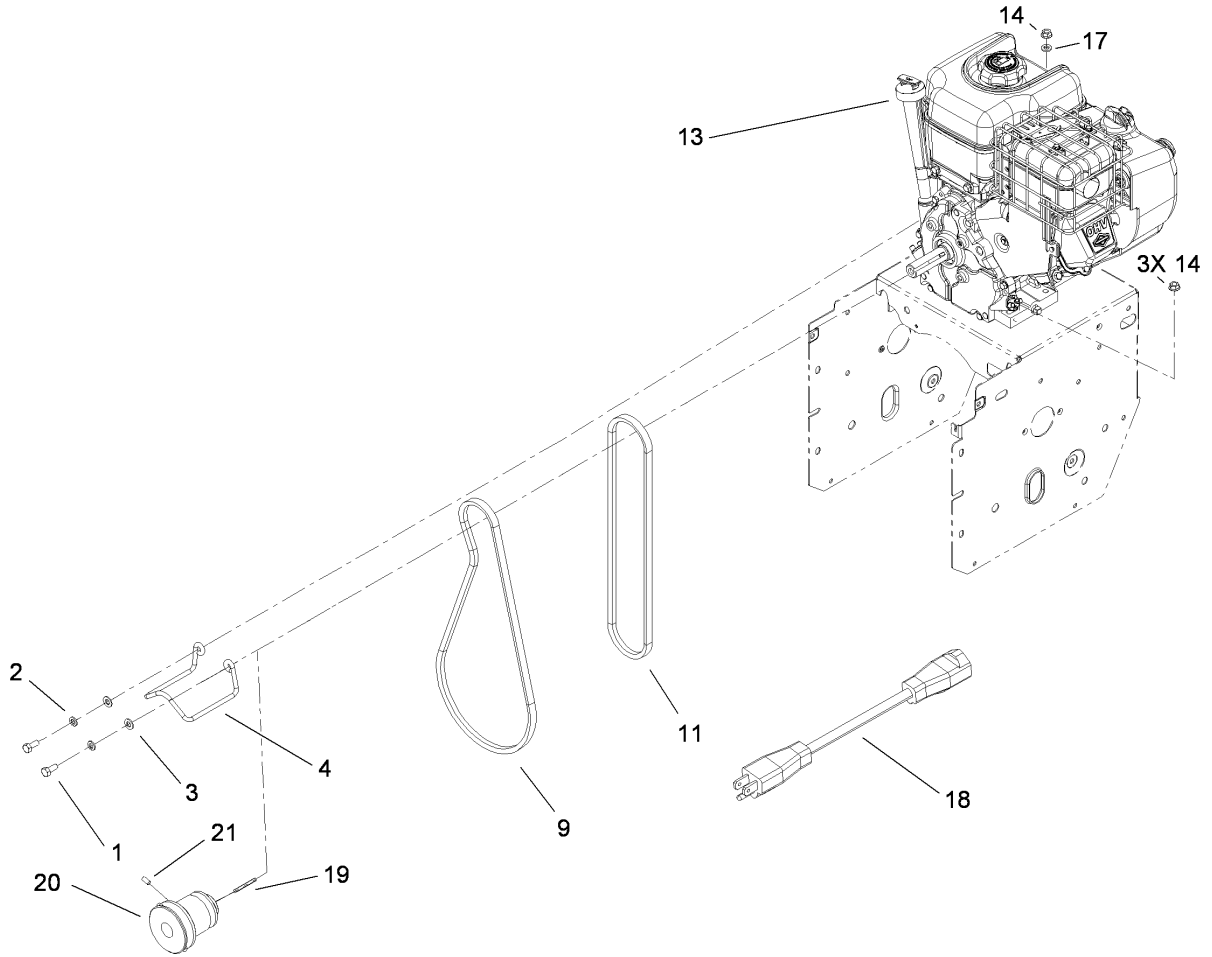
Ref	Part No.	Qty.	Description
2	3229-30	2	Screw-CARR
3	46-8092	2	Screw-Plastite
4	105-9987	2	Support-Rod
5	106-7283	1	Rod-Chute, Front
6	3296-73	2	Nut-Lock, NI
7	108-0038-03	1	Handle-Upper, RH
12	107-3844	4	Washer
13	3296-72	4	Nut-Lock, NI
14	106-4586	1	Cover-Panel, Control
15	94-4496	2	Screw-PPH
16	108-0037-03	1	Handle-Upper, LH
17	105-9981-03	1	Handle-Lower
18	32144-14	4	Screw-HWHTF
19	3290-475	4	Washer-Belleville
20	92-2260	4	Screw-Handle
21	107-3018	4	Screw-Handle
22	3256-70	4	Washer-Flat
23	3296-72	4	Nut-Lock, NI
24	106-4510	1	Headlamp ASM
24:1	108-0008	1	Lamp-12 Volt
25	107-3024	1	Clamp
26	107-1020-03	1	Bracket-Light
27	3296-73	2	Nut-Lock, NI
28	3256-1	2	Washer-Flat

Ref	Part No.	Qty.	Description
29	106-4511	1	Harness-Wire
30	614249	2	Strap-Tie
31	110-3408	1	Stick-Cleanout



Lever Chute Control Assembly

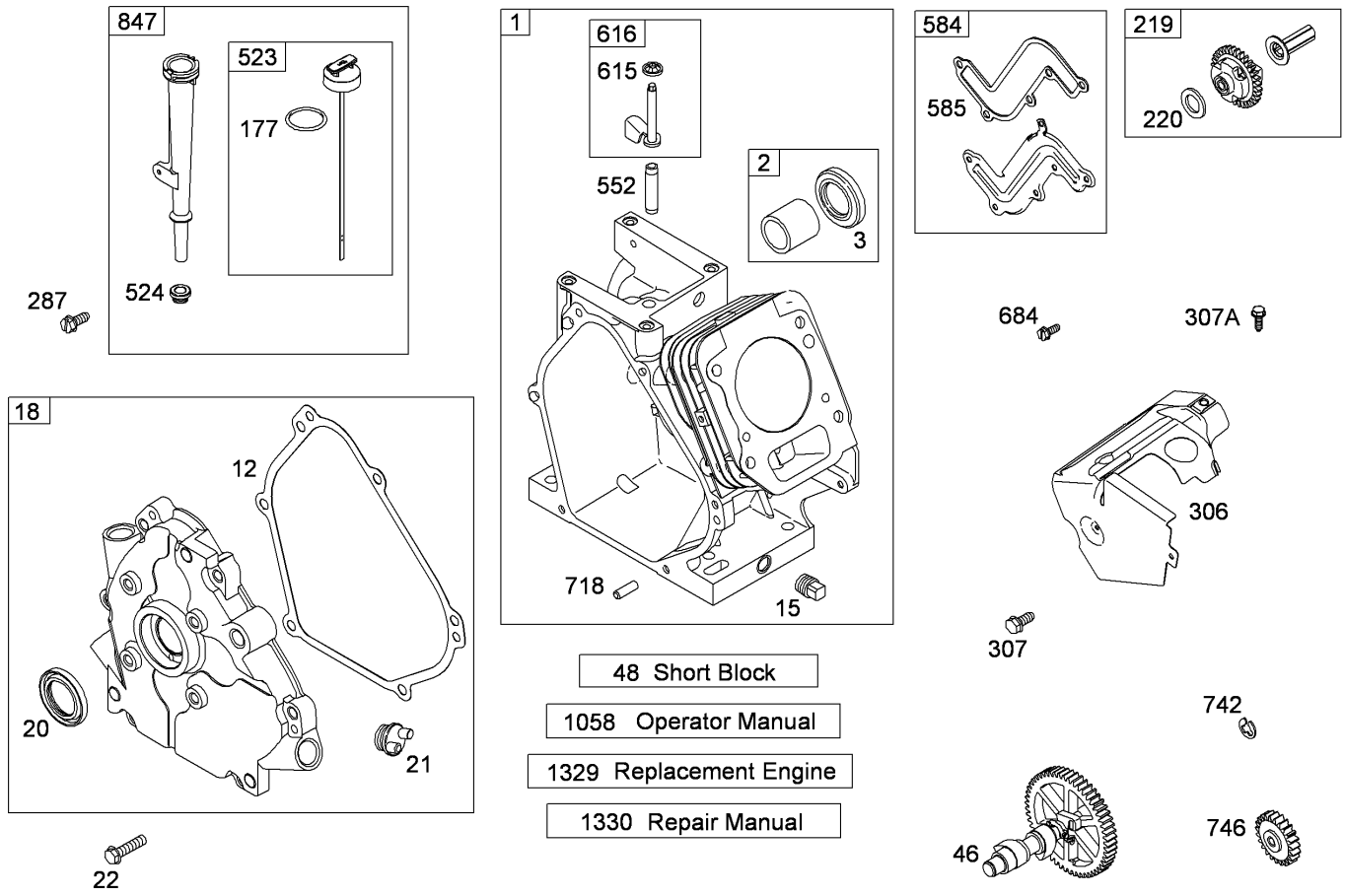
Ref	Part No.	Qty.	Description
1	94-4496	6	Screw-PPH
3	105-9982	1	Spring-Torsion
4	105-9984	1	Trigger-Latch
5	105-9985	1	Link-Latch
6	105-9988	1	Lever-Cable, Deflector
7	105-9995	1	Screw-Shoulder
8	106-4479	1	Rod-Control, Chute
9	106-7280	1	Cap-Lever
10	106-7281	1	Lever-Chute Control, RH
11	106-7282	1	Lever-Chute Control, LH
12	107-3002	1	Washer-Nylon
13	106-7295	1	Plate-Friction
14	106-7310	1	Pawl-Latch
15	3290-456	1	Washer-Belleville
16	3296-29	1	Nut-Lock, NI
17	105-9986	1	Cover-Chute Lever, LH
18	106-7292	1	Cover-Chute Lever, RH
19	105-9989	1	Cable-Release, Chute
20	105-9990	1	Cable-Control, Deflector



Engine Assembly

Ref	Part No.	Qty.	Description
1	3210-3	2	Screw-HH
2	3253-4	2	Washer-Lock
3	3256-23	2	Washer-Flat
4	107-3835	1	Guide-Belt
9	106-4498	1	Belt-V
11	94-8812	1	V Belt-Traction
1 13		1	Engine-Briggs, 15D104-0113-E8
14	32128-20	4	Nut-HF
17	3256-2	1	Washer-Flat
18	99-9300	1	Cord-Extension
19	7-0036	1	Key-Square
20	114-9252	1	Pulley-Engine
21	3245-9	2	Screw-Set

--	--	--	--



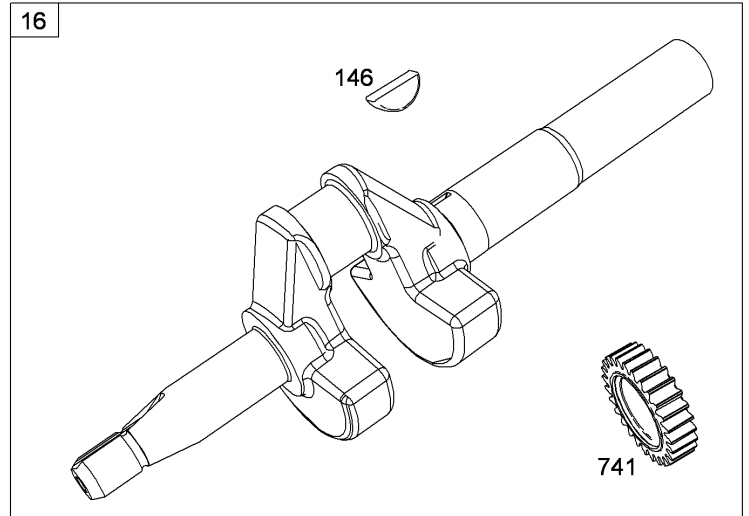
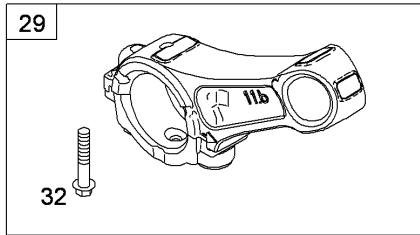
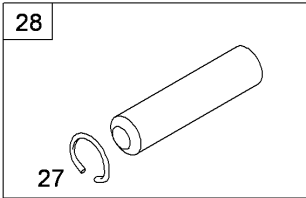
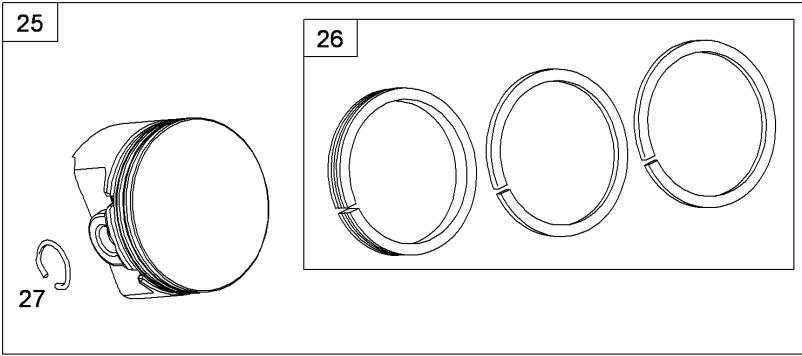
Assemblies include all parts shown in frames

Cylinder Assembly

Briggs and Stratton 15D104-0113-E8

Ref	Part No.	Qty.	Description
1	794188	1	Cylinder ASM
2	399269	1	Bushing And Seal Kit (Magneto Side)
3	299819s	1	Seal-Oil (Magneto Side)
12	699485	1	Gasket-Cover, Crankcase
15	691686	1	Plug-Drain, Oil (Square Head)
18	699696	1	Cover-Crankcase
20	692550	1	Seal-Oil
21	281658S	1	Cap-Fill, Oil
22	699478	1	Screw (Crankcase Cover To Sump)
46	693404	1	Camshaft
48	791711	1	Short Block
177	691031	1	Seal-O Ring (Dipstick)
219	693578	1	Gear-Governor
220	691724	1	Washer (Governor Gear)
287	699629	1	Screw (Dipstick Tube)
306	695710	1	Shield-Cylinder
307	699483	1	Screw (Cylinder Shield) (M4)
307A	699234	1	Screw (Cylinder Shield) (M5)
523	693618	1	Dipstick
524	281730s	1	Seal-Dipstick Tube
552	692346	1	Bushing-Crank, Governor
584	791759	1	Cover-Passage, Breather

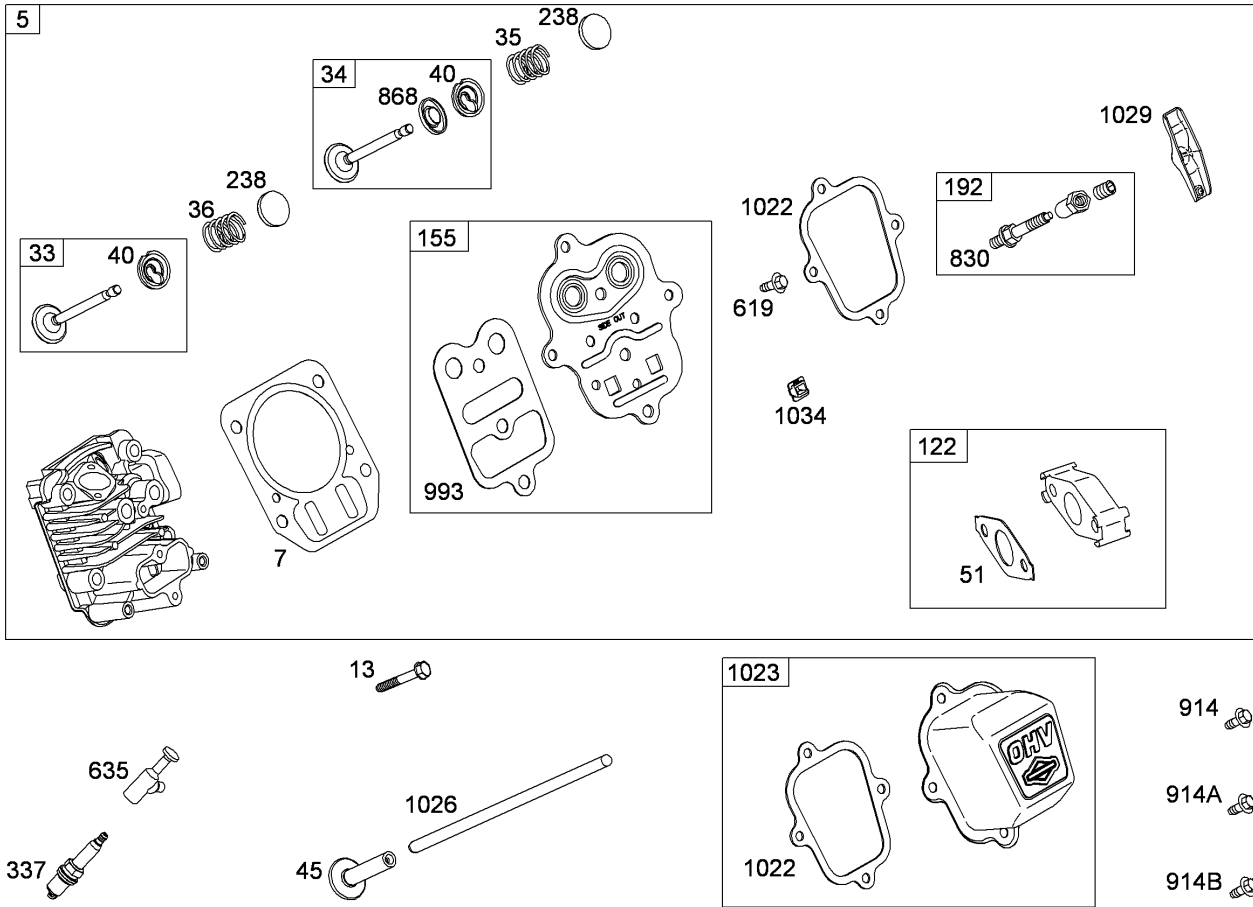
Ref	Part No.	Qty.	Description
585	791760	1	Cup-Flywheel
615	692576	1	Retainer-Shaft, Governor
616	692547	1	Crank-Governor
684	793369	1	Screw (Breather Passage Cover)
718	690959	1	Pin-Locating
742	692564	1	Retainer-E Ring
746	790278	1	Gear-Idler
847	693617	1	Dipstick And Tube ASM
1058	277104	1	Operator Manual



Assemblies include all parts shown in frames

Crankshaft, Piston, Ring and Connecting Rod Assembly Briggs and Stratton 15D104-0113-E8

Ref	Part No.	Qty.	Description
16	699454	1	Crankshaft
24	222698s	1	Key-Flywheel
25	791786	1	Piston ASM (Standard)
25	791791	1	Piston ASM (.020 Oversize)
26	791787	1	Ring Set (Standard)
26	791792	1	Ring Set (.020 Oversize)
27	690975	1	Lock-Pin, Piston
28	690229	1	Pin-Piston (STD)
29	791783	1	Rod-Connecting
32	791784	1	Screw (Connecting Rod)
146	690979	1	Key-Timing
598	220624	1	Shim-End Play (Crankshaft)
741	695087	1	Gear-Timing
1329	15D114-0020	1	Replacement Engine
1330	272147	1	Repair Manual



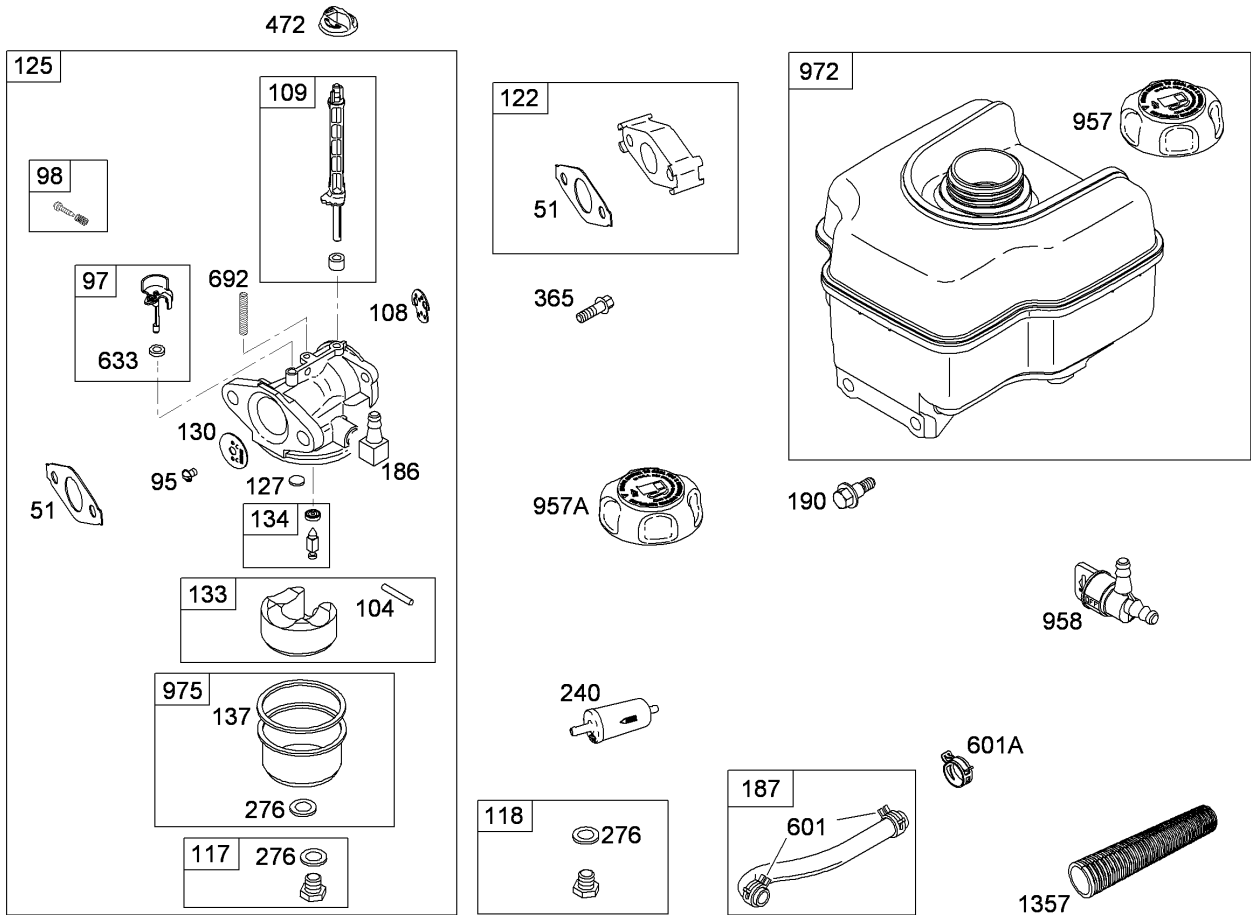
Assemblies include all parts shown in frames

Cylinder Head Assembly

Briggs and Stratton 15D104-0113-E8

Ref	Part No.	Qty.	Description
25	791720	1	Head-Cylinder
247	791716	1	Gasket-Head, Cylinder
5			
213	699482	1	Screw (Cylinder Head)
233	499642	1	Valve-Exhaust
234	499641	1	Valve-Intake
235	691304	1	Spring-Valve (Intake)
236	691304	1	Spring-Valve (Exhaust)
240	692194	1	Retainer-Valve
245	690977	1	Tappet-Valve
2551	791718	1	Gasket-Intake
45			
2122	791717	1	Spacer-Carburetor
2155	698214	1	Plate-Head, Cylinder
2192	694543	1	Adjuster-Arm, Rocker
2238	691300	1	Cap-Valve
2337	691043	1	Spark Plug
2619	699480	1	Screw (Cylinder Head Plate)
2635	692927	1	Boot-Sparkplug
2830	694544	1	Stud-Arm, Rocker
24868	795440	1	Seal-Valve
5			
2914	699480	1	Screw (Rocker Cover) (Bottom)
2914A	692557	1	Screw (Rocker Cover) (Top)
2914B	697551	1	Screw (Rocker Cover) (Sides)

Ref	Part No.	Qty.	Description
24993	694088	1	Gasket-Head Plate, Cylinder
5			
241022	691890	1	Gasket-Cover, Rocker
5			
21023	499924	1	Cover-Arm, Rocker
21026	790287	1	Rod-Push
21029	691230	1	Arm-Rocker
21034	691343	1	Guide-Rod, Push

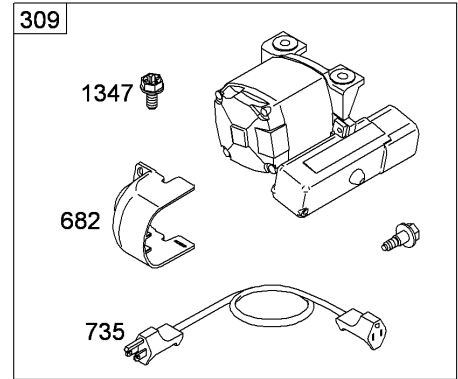
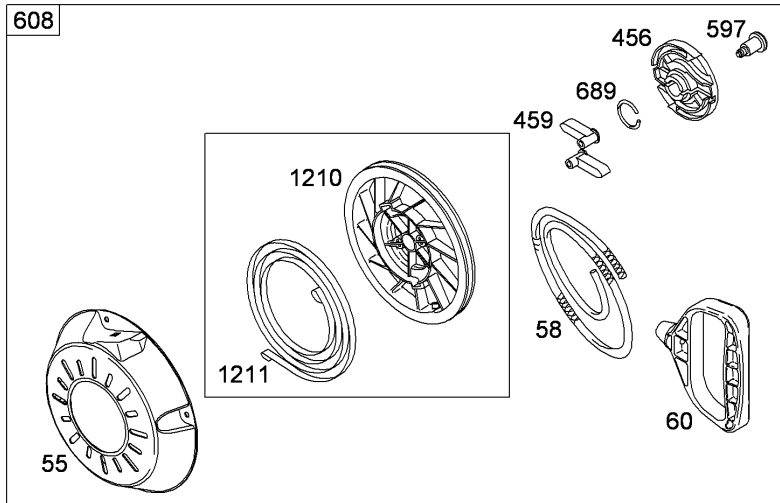


Assemblies include all parts shown in frames

Carburetor and Fuel Tank Assembly Briggs and Stratton 15D104-0113-E8

Ref	Part No.	Qty.	Description
2 5 1	791718	1	Gasket-Intake
1 5			
2 95	691636	1	Screw (Throttle Valve)
2 97	690024	1	Shaft-Throttle
2 98	398185	1	Idle Speed Kit
2 104	691242	1	Pin-Hinge, Float
2 108	695807	1	Valve-Choke
2 109	791957	1	Shaft-Choke
2 117	691428	1	Jet-Main (Standard)
2 118	690048	1	Jet-Main (High Altitude)
2 122	791717	1	Spacer-Carburetor
2 125	794588	1	Carburetor
2 127	691739	1	Plug-Welch
2 130	691181	1	Valve-Throttle
2 133	398187	1	Float-Carburetor
2 134	398188	1	Needle And Seat Kit
2 137	693981	1	Gasket-Bowl, Float
2 186	692317	1	Connector-Hose
2 187	791867	1	Line-Fuel (Molded)
2 190	699220	1	Screw (Fuel Tank)
2 240	695666	1	Filter-Fuel
2 276	271716	1	Washer-Sealing
2 291	790830	1	Thermostat
2 365	699484	1	Screw (Carburetor)

Ref	Part No.	Qty.	Description
2 472	791958	1	Knob-Choke Shaft
2 601	791850	1	Clamp-Hose (Green)
2 601A	691038	1	Clamp-Hose (Black)
2 633	691321	1	Seal-Shaft, Choke Throttle
2 692	690572	1	Spring-Detent
2 972	694260	1	Tank-Fuel
2 957	795027	1	Cap-Fuel Tank
2 957A	792647	1	Cap-Fuel Tank (Fresh Start)
2 958	698180	1	Valve-Shut Off, Fuel
2 975	790559	1	Bowl-Float
2 1357	794700	1	Sleeve-Fuel Line

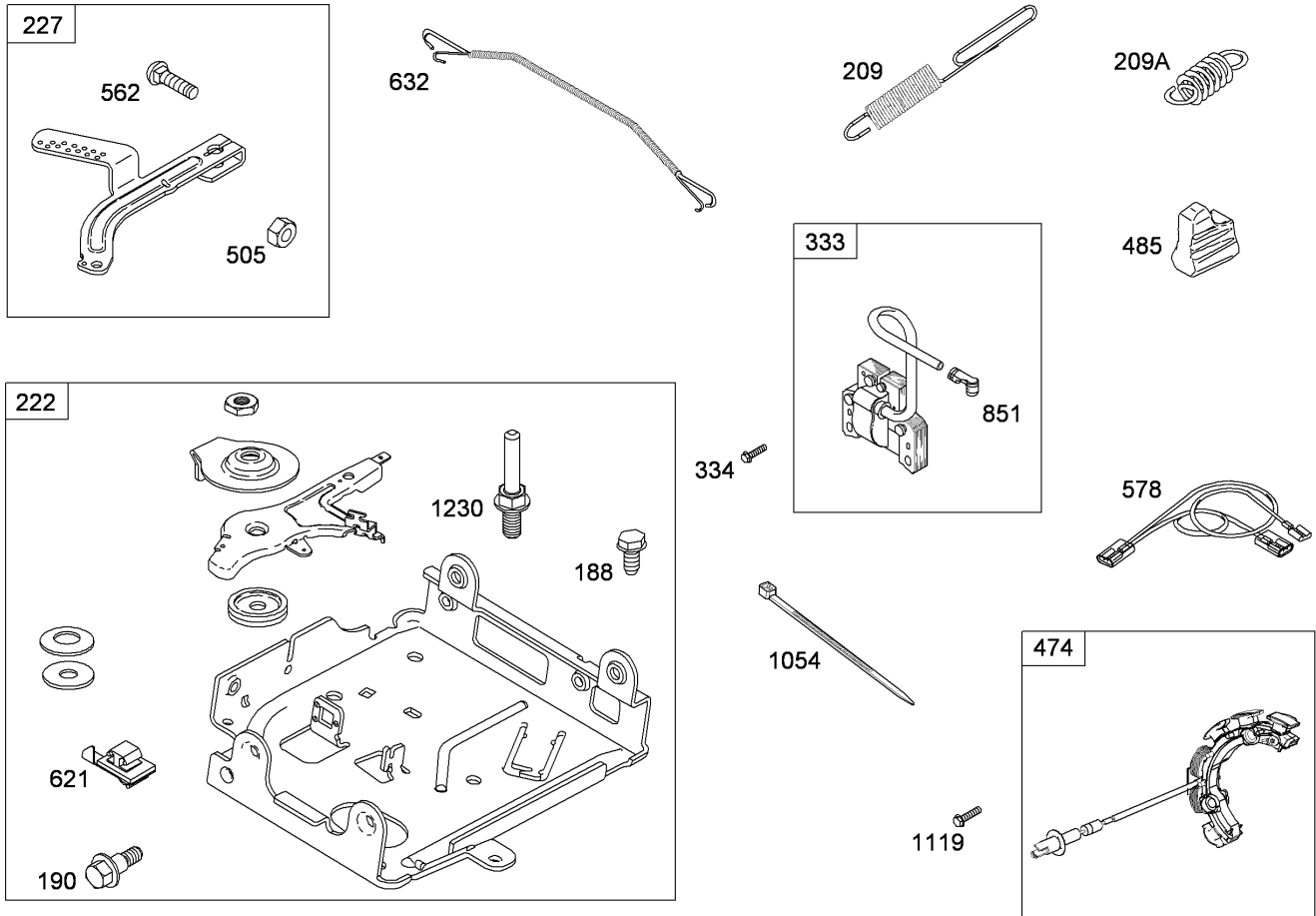


Assemblies include all parts shown in frames

Rewind Starter and Starter Motor Assembly Briggs and Stratton 15D104-0113-E8

Ref	Part No.	Qty.	Description
●55	696710	1	Housing-Starter, Rewind
●58	693389	1	Rope-Starter
●60	699334	1	Grip-Starter Rope
●65	699228	1	Screw (Rewind Starter)
●309	793667	1	Motor-Starter
●456	692299	1	Plate-Friction, Pawl
●459	281505s	1	Ratchet-Pawl
●597	691696	1	Screw (Pawl Friction Plate)
●608	699335	1	Starter-Rewind
●682	698039	1	Shield-Starter
●689	691855	1	Spring-Friction
●735	795901	1	Cord-Starter
●930	696709	1	Guard-Rewind
●1009	790537	1	Screw (Starter Motor)
●1210	498144	1	Pulley And Spring ASM (Pulley)
●1211	498144	1	Pulley And Spring ASM (Spring)
●1347	699200	1	Screw (Starter Shield)

--	--	--	--

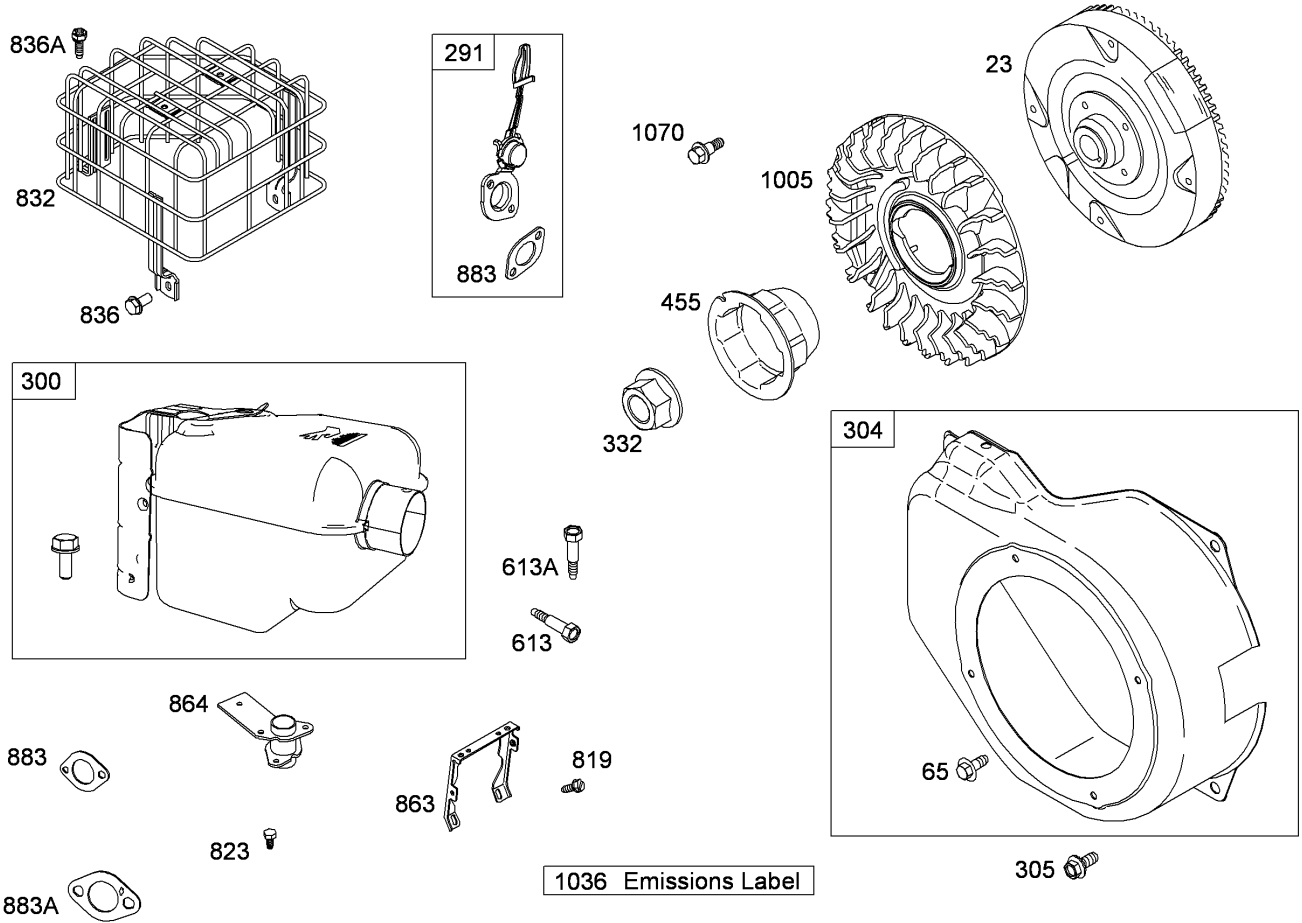


Assemblies include all parts shown in frames

Governor, Controls and Ignition Assembly Briggs and Stratton 15D104-0113-E8

Ref	Part No.	Qty.	Description
● 188	699479	1	Screw (Control Bracket)
● 190	699220	1	Screw (Fuel Tank)
● 209	692571	1	Spring-Governor
● 209A	691278	1	Spring-Governor (Platinum)
● 222	793109	1	Bracket-Control
● 227	794367	1	Lever-Control, Governor
● 333	695711	1	Armature-Magneto
● 334	699477	1	Screw (Magneto Armature)
● 474	793640	1	Alternator
● 485	695755	1	Knob-Control
● 505	691251	1	Nut (Governor Control Lever)
● 562	691119	1	Bolt (Governor Control Lever)
● 578	794819	1	Wire ASM
● 621	692310	1	Switch-Stop
● 632	692653	1	Link-Spring, Mechanical Governor
● 851	493880s	1	Terminal-Spark Plug
● 1054	280275	1	Tie-Cable
● 1119	699772	1	Screw (Alternator)
● 1230	699847	1	Stud (Control Bracket)

--	--	--	--

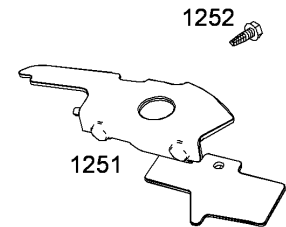
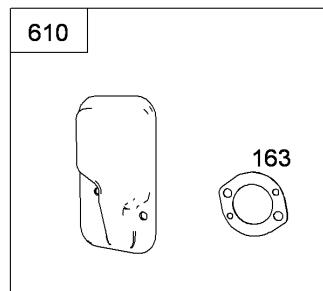
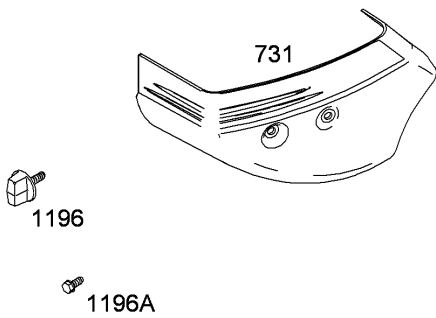
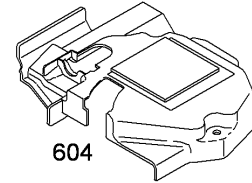
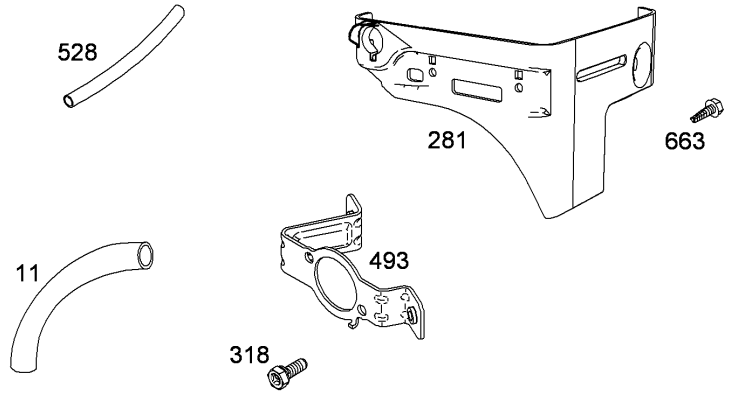
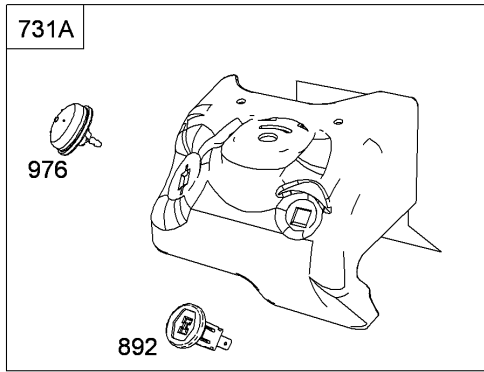


Assemblies include all parts shown in frames

Muffler, Blower Housing and Flywheel Assembly

Briggs and Stratton 15D104-0113-E8

Ref	Part No.	Qty.	Description
23	699516	1	Flywheel
65	699228	1	Screw (Rewind Starter)
300	794726	1	Muffler
304	699598	1	Housing-Blower
305	699480	1	Screw (Muffler) (M6)
332	792723	1	Nut (Flywheel)
455	692591	1	Cup-Flywheel
613	697812	1	Screw (Muffler)
613A	699480	1	Screw (Muffler) (M6)
819	699223	1	Screw (Muffler Bracket)
823	791972	1	Screw (Muffler Adapter)
832	699313	1	Guard-Muffler
836	699209	1	Screw (Muffler Guard)
836A	699234	1	Screw (Muffler Guard) (M5)
863	699849	1	Bracket-Muffler
864	699232	1	Adapter-Muffler
883	692237	1	Gasket-Exhaust (Muffler Adapter)
883A	691893	1	Gasket-Exhaust (Muffler)
1005	692592	1	Fan-Flywheel
1036		1	Label-Emissions
1070	699201	1	Screw (Flywheel Fan)

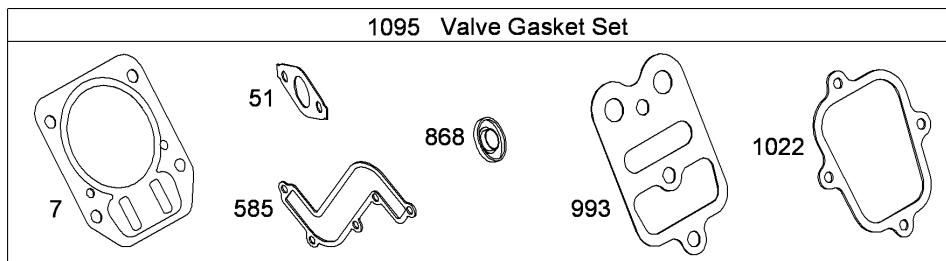
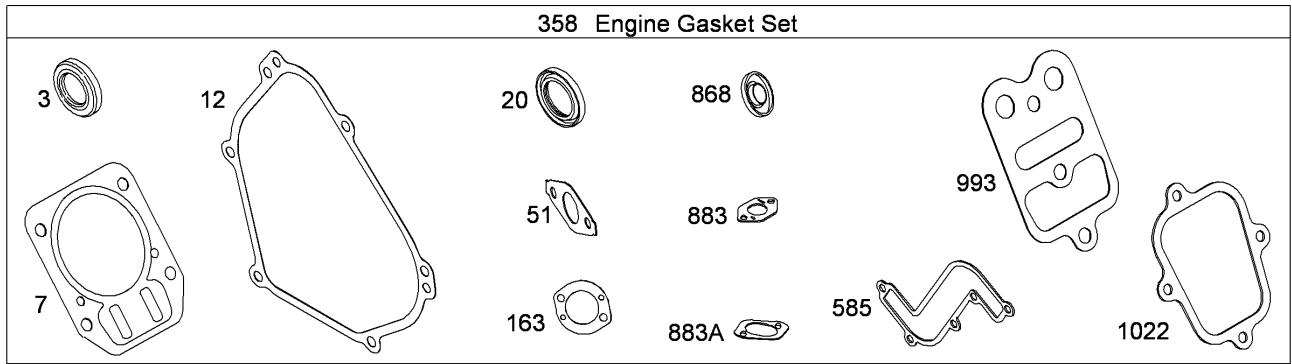


Assemblies include all parts shown in frames

Snow Hood, Snow Shield and Panel Briggs and Stratton 15D104-0113-E8

Ref	Part No.	Qty.	Description
② 11	695745	1	Tube-Breather
② ③ 163	696024	1	Gasket-Air Cleaner
④			
② 281	793122	1	Panel-Control
② 318	690370	1	Screw (Mounting Bracket)
② 493	695744	1	Bracket-Mounting
② 528	793006	1	Hose-Primer
② 604	793134	1	Cover-Control
② 610	794614	1	Arrester-Intake
② 663	699206	1	Screw (Control Panel)
② 731	794703	1	Hood-Snow
② 731A	794704	1	Hood-Snow
② 892	791944	1	Switch-Key
② 976	790221	1	Primer-Carburetor
② 990	794696	1	Key Set
② 1196	696692	1	Screw (Snow Hood)
② 1196A	699854	1	Screw (Snow Hood)
② 1251	794702	1	Shield-Snow
② 1252	699234	1	Screw (Snow Shield)

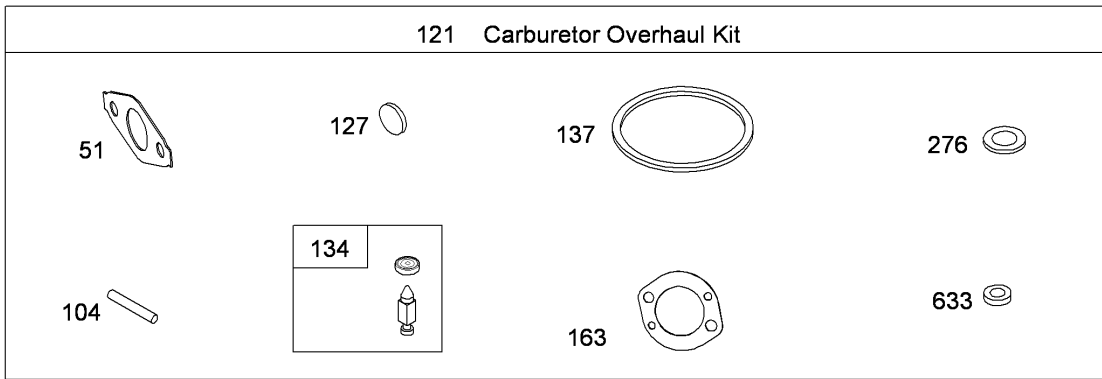
--	--	--	--



Assemblies include all parts shown in frames

Engine and Valve Gasket Sets Briggs and Stratton 15D104-0113-E8

Ref	Part No.	Qty.	Description
243	299819s	1	Seal-Oil (Magneto Side)
247	791716	1	Gasket-Head, Cylinder
5			
2412	699485	1	Gasket-Cover, Crankcase
2420	692550	1	Seal-Oil (PTO Side)
2551	791718	1	Gasket-Intake
45			
25163	696024	1	Gasket-Air Cleaner
4			
2358	791797	1	Engine Gasket Set
24585	791760	1	Cup-Flywheel
5			
24868	795440	1	Seal-Valve
5			
24883	692237	1	Gasket-Exhaust (Muffler Adapter)
24883A	691893	1	Gasket-Exhaust (Muffler)
24993	694088	1	Gasket-Head Plate, Cylinder
5			
241022	691890	1	Gasket-Cover, Rocker
5			
21095	791798	1	Valve Gasket Set



Assemblies include all parts shown in frames

Carburetor Overhaul Kit Briggs and Stratton 15D104-0113-E8

Ref	Part No.	Qty.	Description
2 51	791718	1	Gasket-Intake
1 5			
2 104	691242	1	Pin-Hinge, Float
2 121	792006	1	Carburetor Overhaul Kit
2 127	691739	1	Plug-Welch
2 134	398188	1	Needle And Seat Kit
2 137	693981	1	Gasket-Bowl, Float
2 163	696024	1	Gasket-Air Cleaner
4			
2 276	271716	1	Washer-Sealing
2 633	691321	1	Seal-Shaft, Choke Throttle

Attachments and Accessories

For 38624 - Power Max 826 OE Snowthrower

Product Name	Model/Part
Tire Chain Kit	107-3813
Snow Cab	107-3814
Weight Kit	107-3815
26 Inch Drift Breaker	107-3816

