



22in Recycler[®] Lawn Mower

Model No. 20330C - 290000001 and up.

Parts Catalog

Ordering Replacement Parts

To order replacement parts, please supply the part number, the quantity, and the description of each part desired.

Understanding Reference Numbers

Each identified part in an illustration has a reference number. The reference number for a part also appears in the parts list, along with other information about the part.

This catalog uses two special reference number formats, one to indicate parts in a service assembly and another to indicate the quantity of a given part in an illustration.

Service Assembly Reference Numbers

Parts in service assemblies have reference numbers in the form a:b. The a represents the reference number of the entire service assembly and the b represents a sequential number unique to each part within the service assembly.

For example, a wheel assembly might be identified by reference number 6, the tire by 6:1, the valve by 6:2, and the wheel by 6:3. When you order the assembly identified by reference number 6, you receive all parts identified by reference numbers 6:1, 6:2, and 6:3. However, you may also order any part individually. Reference numbers of this type appear in illustrations and in part lists.

Reference Numbers Indicating Quantity

In an illustration, if a reference number indicates more than one part, the reference number has the form nX y. The n represents the quantity of the part, the X is the multiplication symbol, and the y represents the reference number.

For example, in an illustration, the reference number 2X 37 means that two of the parts identified by reference number 37 are indicated.

Contents

Description	Page	Description	Page
Deck, Side Chute and Rear Door Assembly	3	Air Cleaner Assembly Briggs and Stratton 124T02-0206-B1	13
Rear Axle and Wheel Assembly	4	Governor, Controls and Ignition Assembly Briggs and Stratton 124T02-0206-B1	14
Front Axle Assembly	5	Muffler and Fuel Tank Assembly Briggs and Stratton 124T02-0206-B1	15
Engine and Blade Assembly	6	Blower Housing and Flywheel Assembly Briggs and Stratton 124T02-0206-B1	16
Handle Assembly	7	Rewind Starter Assembly Briggs and Stratton 124T02-0206-B1	17
Rear Bag Assembly	8	Engine and Valve Gasket Sets Briggs and Stratton 124T02-0206-B1	18
Cylinder and Cylinder Head Assembly Briggs and Stratton 124T02-0206-B1	9	Carburetor Overhaul Kit Briggs and Stratton 124T02-0206-B1	19
Crankshaft, Piston, Ring and Connecting Rod Assembly Briggs and Stratton 124T02-0206-B1	10	Attachments and Accessories List	20
Crankcase Cover/Sump Assembly Briggs and Stratton 124T02-0206-B1	11		
Carburetor Assembly Briggs and Stratton 124T02-0206-B1	12		

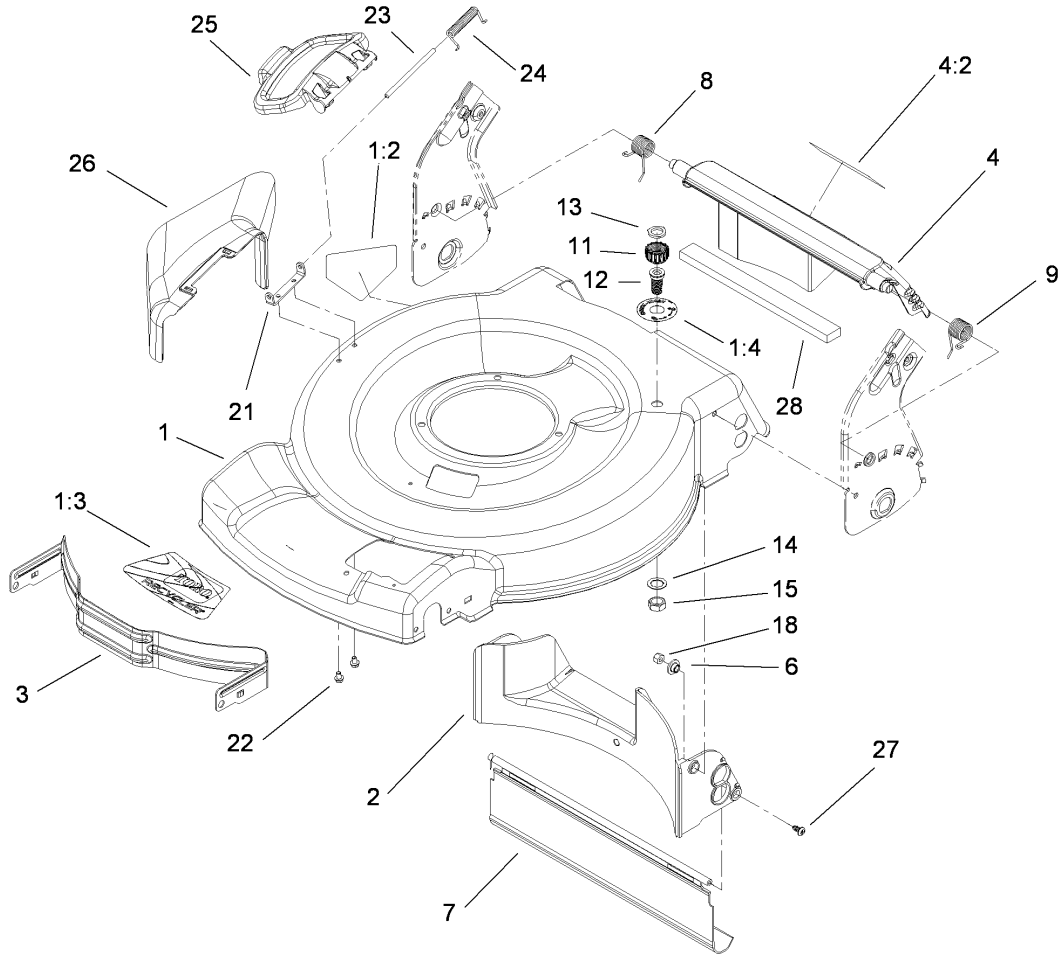
Part Description Abbreviations

Part descriptions in this catalog may include the following abbreviations.

AR. as required	HYD. hydraulic
ASM. assembly	LH. left hand
BBC. blade brake clutch	NI. nylon insert
CARR. carriage	NPTF. national pipe thread fine
DEG. degrees	PFH. phillips flat head
EXT. external	PPH. phillips pan head
FH. flat head	PPHTF. phillips pan head thread forming
GA. gauge	PRH. phillips round head
HD. heavy-duty	PTH. phillips truss head
HF. hex flange	PTO. power-take-off
HH. hex head	RH. right hand
HHF. hex head flange	ROPS. roll-over protection system
HHFTF. hex head flange thread forming	SFH. slotted fillister head
HJ. hex jam	SHH. slotted hex head
HLH. hex lag head	SHWH. slotted hex washer head
HOC. height-of-cut	SPH. slotted pan head
HSBH. hex socket button head	SQH. square head
HSFH. hex socket flat head	SRH. slotted round head
HSH. hex socket head	STD. standard
HWH. hex washer head	TAP. self tapping
HWHTF. hex washer head thread forming	TTH. torx truss head

Footnotes

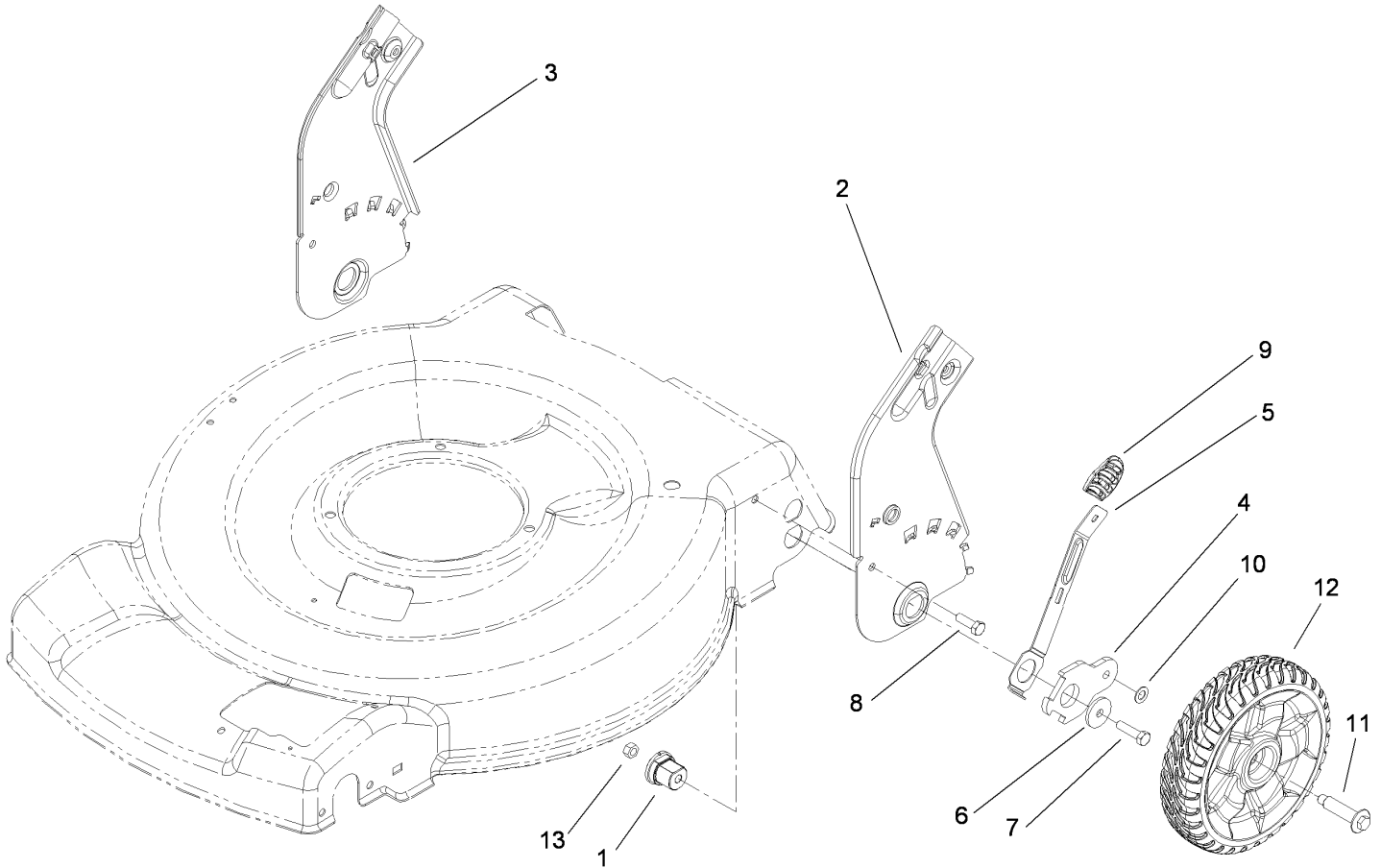
- | | |
|---|--|
| ❶ Not illustrated | ❷ Not serviced separately |
| ❸ Obtain from your local Briggs & Stratton dealer | ❹ Included in Carburetor Overhaul Kit (Ref. No. 121) |
| ❺ Included in Engine Gasket Set (Ref. No. 358) | ❻ Included in Valve Gasket Set (Ref. No. 1095) |



Deck, Side Chute and Rear Door Assembly

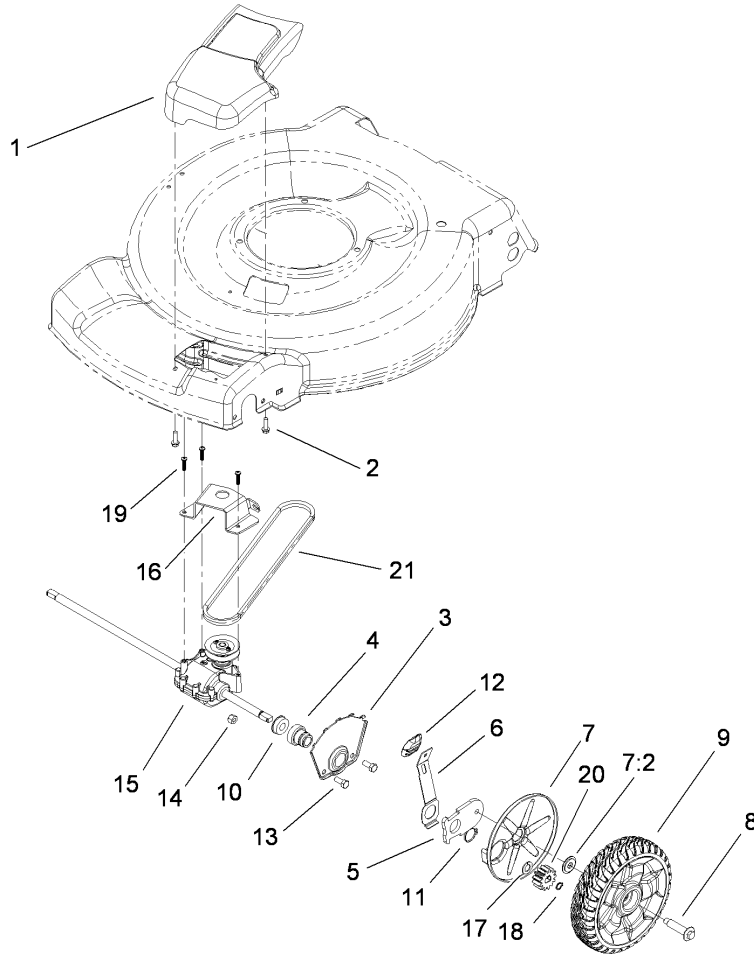
Ref	Part No.	Qty.	Description
1	117-1085	1	Housing ASM
1:2	94-8072	1	Decal-Danger
1:3	115-4678	1	Decal-Recycler
1:4	112-8867	1	Decal
2	115-1307	1	Baffle-Rear
3	114-7963-01	1	Baffle-Front
4	117-4199	1	Deflector, Rear ASM
4:2	114-7982	1	Decal-Warning
6	27-6600	2	Spacer-Coupling
7	115-8420	1	Shield-Trailing
8	114-7924	1	Spring-Torsion
9	115-2859	1	Spring-Torsion
11	112-6401	1	Coupling-Hose, Washout Port
12	112-6400	1	Port-Washout
13	112-6438	1	Washer-Seal, Washout Port
14	3254-5	1	Washer-Tooth
15	3218-6	1	Nut-Jam
18	3296-29	2	Nut-Lock, NI
21	112-6416	1	Bracket-Cover
22	99-8445	2	Screw-HWH
23	99-5291	1	Rod-Cover
24	99-5293	1	Spring-Torsion
25	115-8449	1	Deflector-Side
26	115-8447	1	Chute-Discharge, Side

Ref	Part No.	Qty.	Description
27	117-1092	2	Screw-PTH
28	117-5924	1	Foam-Seal



Rear Axle and Wheel Assembly

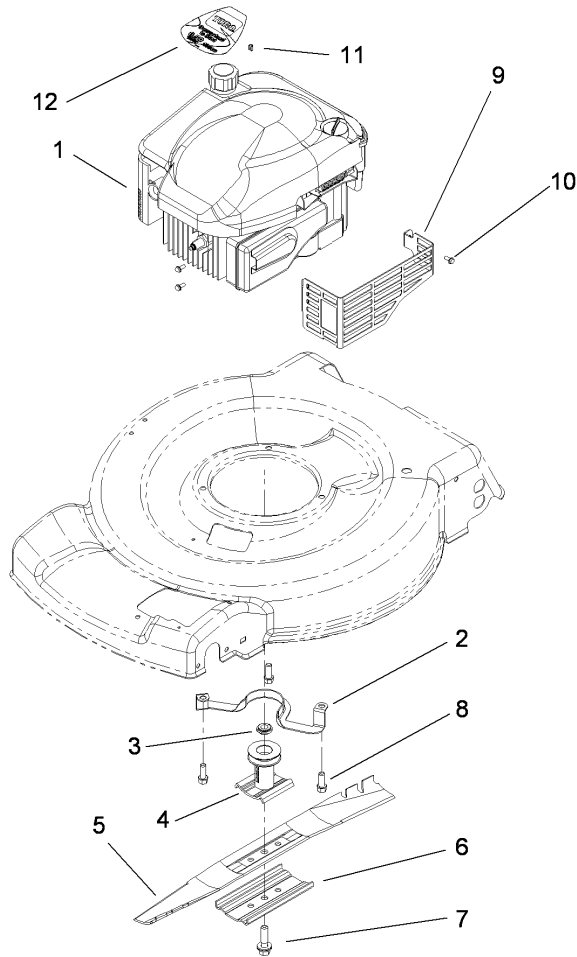
Ref	Part No.	Qty.	Description
1	115-4651	2	Bushing-Mount, HOC
2	114-7998-03	1	Plate-HOC, Rear LH
3	114-7999-03	1	Plate-HOC, Rear RH
4	114-7997	2	Arm-Pivot, Rear
5	115-2899	2	Arm-Spring, 11Inch Rear
6	105-3048	2	Washer-Flat
7	322-7	2	Screw-HH
8	322-5	2	Screw-HH
9	105-3042	2	Knob-Lever, HOC
10	40-1940	2	Washer
11	614650	2	Bolt-Shoulder
12	115-2877	2	Wheel ASM
13	3296-29	4	Nut-Lock, NI



Front Axle Assembly

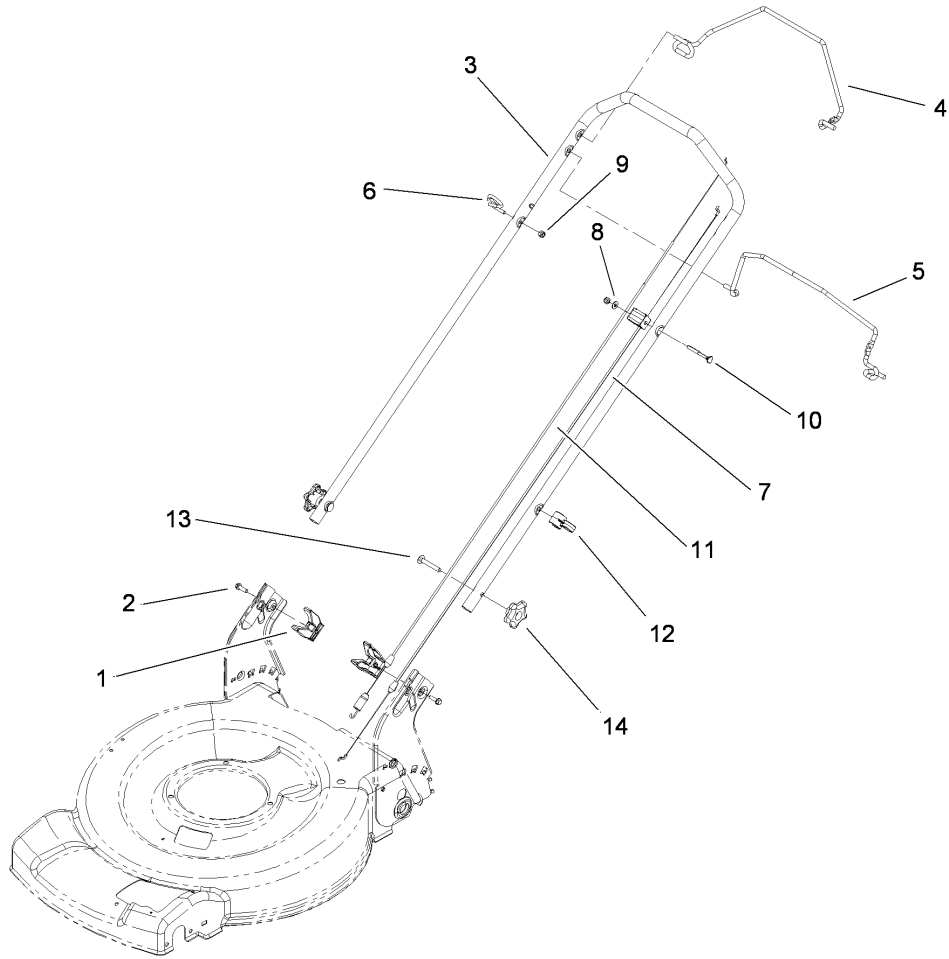
Ref	Part No.	Qty.	Description
1	115-1305	1	Cover-Belt
2	46-8091	2	Screw-HWH
3	115-1956-03	2	Plate-HOC, Front
4	104-8698	2	Retainer-Bearing, HOC
5	105-1807	2	Arm-Pivot, Front
6	105-1809	2	Arm-Spring
7	110-1792	2	Wheel Cover ASM
1 2 7:1		1	Cover-Wheel
7:2	614426	1	Washer-Stepped
8	614650	2	Bolt-Shoulder
9	115-2878	2	Wheel ASM
10	104-8699	2	Bearing-Ball
11	32151-36	2	Ring-Retaining
12	105-3042	2	Knob-Lever, HOC
13	322-3	4	Screw-HH
14	3296-29	4	Nut-Lock, NI
15	115-1992	1	Transmission-4.5/1
16	114-7978-03	1	Bracket-Transmission
17	110-7191	2	Washer-Thrust
18	32151-61	2	Ring-Retaining
19	108-7476	3	Screw-Plastite
20	115-4665	2	Gear-Pinion, 13T
21	117-1018	1	V-Belt

--	--	--	--



Engine and Blade Assembly

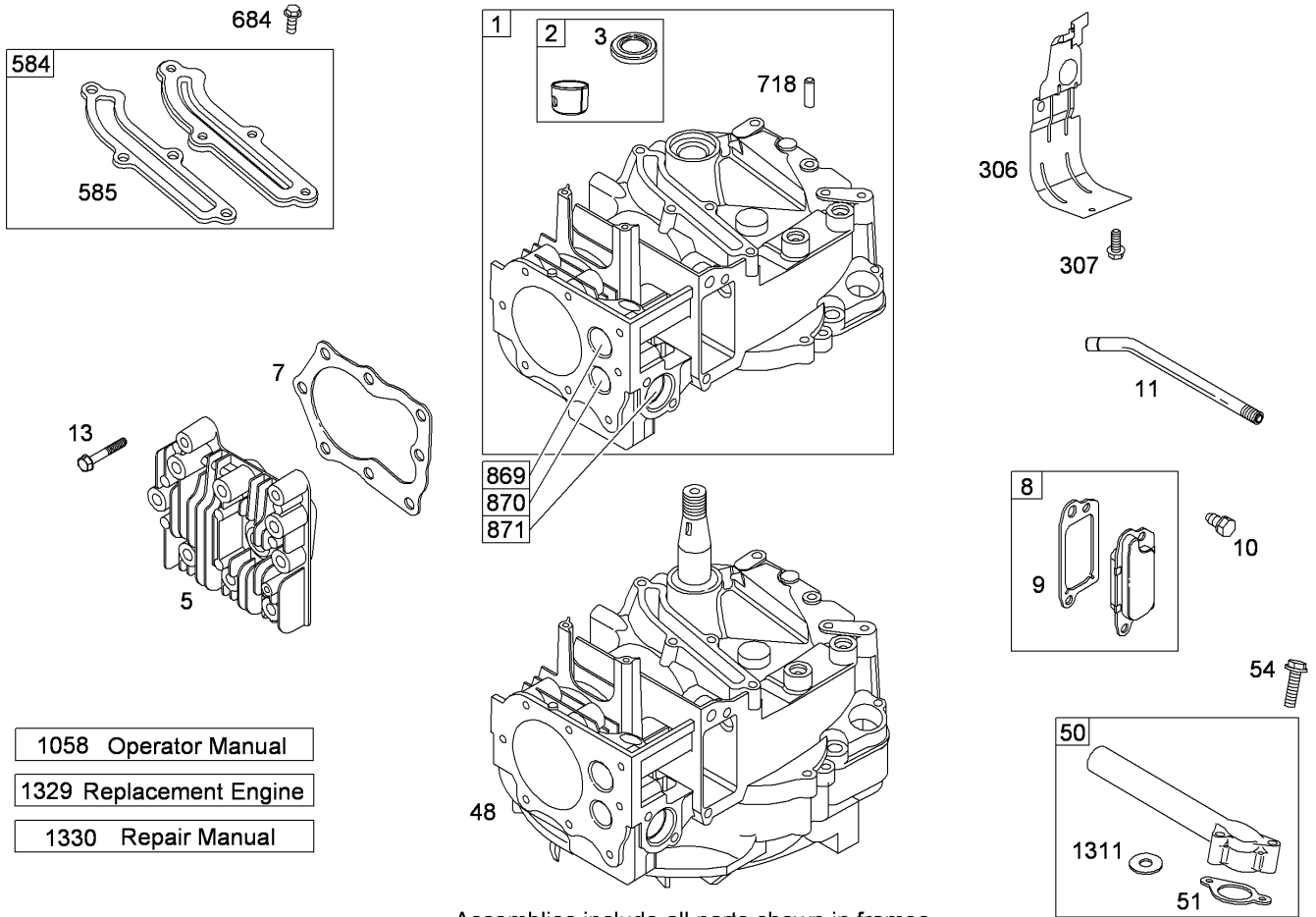
Ref	Part No.	Qty.	Description				
② ③ 1		1	Engine-Briggs, 124T02-0206-B1				
2	105-3031-03	1	Guide-Belt				
3	106-3999	1	Spacer-Driver				
4	106-3987	1	Blade Driver ASM				
5	108-9764-03	1	Blade-22 Inch				
6	108-3766	1	Support-Blade				
7	105-8579	1	Bolt-Blade				
8	95-1726	3	Screw-Taptite				
9	104-7577-03	1	Shield-Muffler				
② ③ 10		3	Screw-Taptite				
11	2210-316	1	Stop-Rope				
12	117-1016	1	Decal				



Handle Assembly

Ref	Part No.	Qty.	Description
1	115-2866	2	Anchor-Bag
2	46-8091	2	Screw-HWH
3	115-2872-05	1	Handle-Contour
4	108-9790-03	1	Bail-Traction
5	115-4561-03	1	Bail-Brake
6	86-9671	1	Guide-Rope
7	115-4579	1	Cable-Brake, 2 Bail
8	3256-1	1	Washer-Flat
9	3296-73	2	Nut-Lock, NI
10	92-2270	1	Screw-Handle
11	115-8436	1	Cable-Traction
12	106-6805	1	Guide-Cable
13	3230-6	2	Screw-CARR
14	108-8162	2	Knob-Locking

--	--	--	--



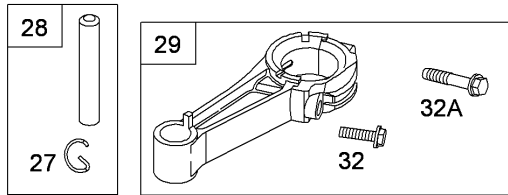
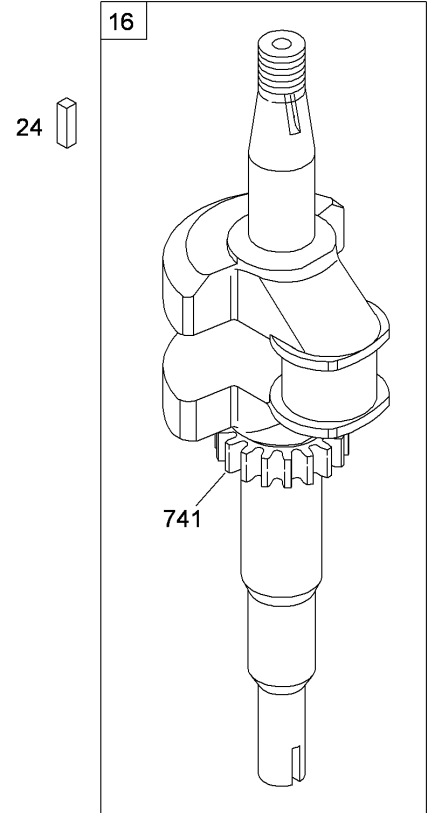
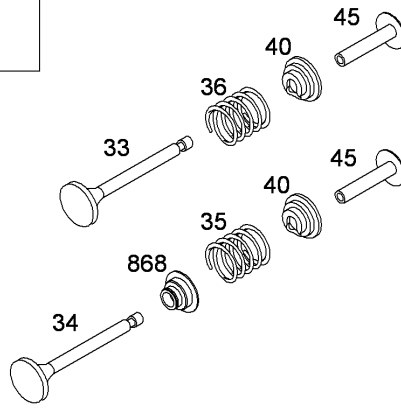
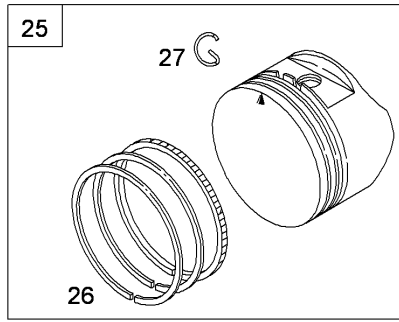
- 1058 Operator Manual
- 1329 Replacement Engine
- 1330 Repair Manual

Assemblies include all parts shown in frames

Cylinder and Cylinder Head Assembly Briggs and Stratton 124T02-0206-B1

Ref	Part No.	Qty.	Description
1	697322	1	Cylinder ASM
2	399269	1	Bushing And Seal Kit
3	299819s	1	Seal-Oil (Magneto Side)
5	691160	1	Head-Cylinder
7	692249	1	Gasket-Head, Cylinder
8	695250	1	Breather ASM
9	699472	1	Gasket-Breather
10	691125	1	Screw (Breather ASM)
11	691781	1	Tube-Breather
13	690912	1	Screw (Cylinder Head)
48	792742	1	Block-Short
50	497465	1	Manifold-Intake
51	272199s	1	Gasket-Intake
54	691650	1	Screw (Intake Manifold)
306	790836	1	Shield-Cylinder
307	690345	1	Screw (Cylinder Shield)
584	697734	1	Cover-Passage, Breather
585	691879	1	Gasket-Passage, Breather
684	690345	1	Screw (Breather Passage Cover)
718	690959	1	Pin-Locating
869	691155	1	Seat-Valve (Intake)
870	690380	1	Seat-Valve (Exhaust)

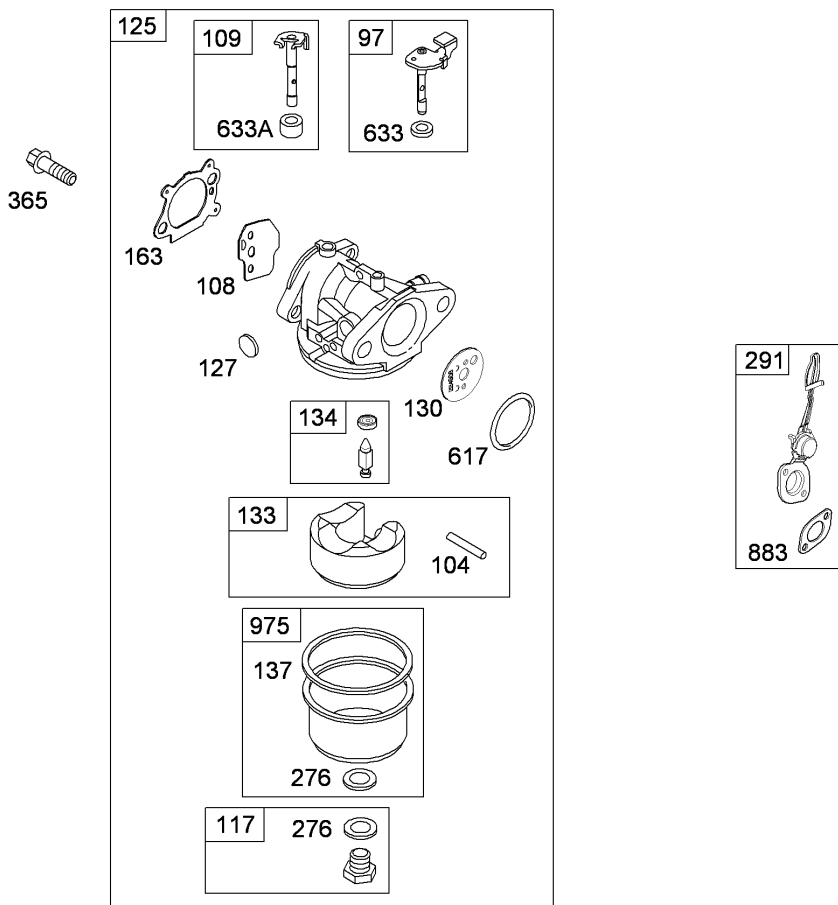
Ref	Part No.	Qty.	Description
871	262001	1	Bushing-Guide (Exhaust)
871	63709	1	Bushing-Guide (Intake)
1058	277039	1	Operator Manual
1311	690390	1	Washer (Intake Manifold)
1329	126L021031 F1	1	Replacement Engine
1330	270962	1	Repair Manual



Assemblies include all parts shown in frames

Crankshaft, Piston, Ring and Connecting Rod Assembly Briggs and Stratton 124T02-0206-B1

Ref	Part No.	Qty.	Description
● 16	696009	1	Crankshaft
● 24	222698s	1	Key-Flywheel
● 25	795429	1	Piston ASM (STD)
● 25	795430	1	Piston ASM (.020 Oversize)
● 26	795431	1	Ring Set (STD)
● 26	795432	1	Ring Set (.020 Oversize)
● 27	691866	1	Lock-Pin, Piston
● 28	499423	1	Pin-Piston (STD)
● 29	499424	1	Rod-Connecting
● 32	691664	1	Screw (Connecting Rod)
● 32A	695759	1	Screw (Connecting Rod)
● 33	262651s	1	Valve-Exhaust
● 34	262652s	1	Valve-Intake
● 35	691270	1	Spring-Valve (Intake)
● 36	691270	1	Spring-Valve (Exhaust)
● 40	692194	1	Retainer-Valve
● 45	690548	1	Tappet-Valve
● 332	690662	1	Nut (Flywheel)
● 741	795755	1	Gear-Timing
● 868	697338	1	Seal-Valve

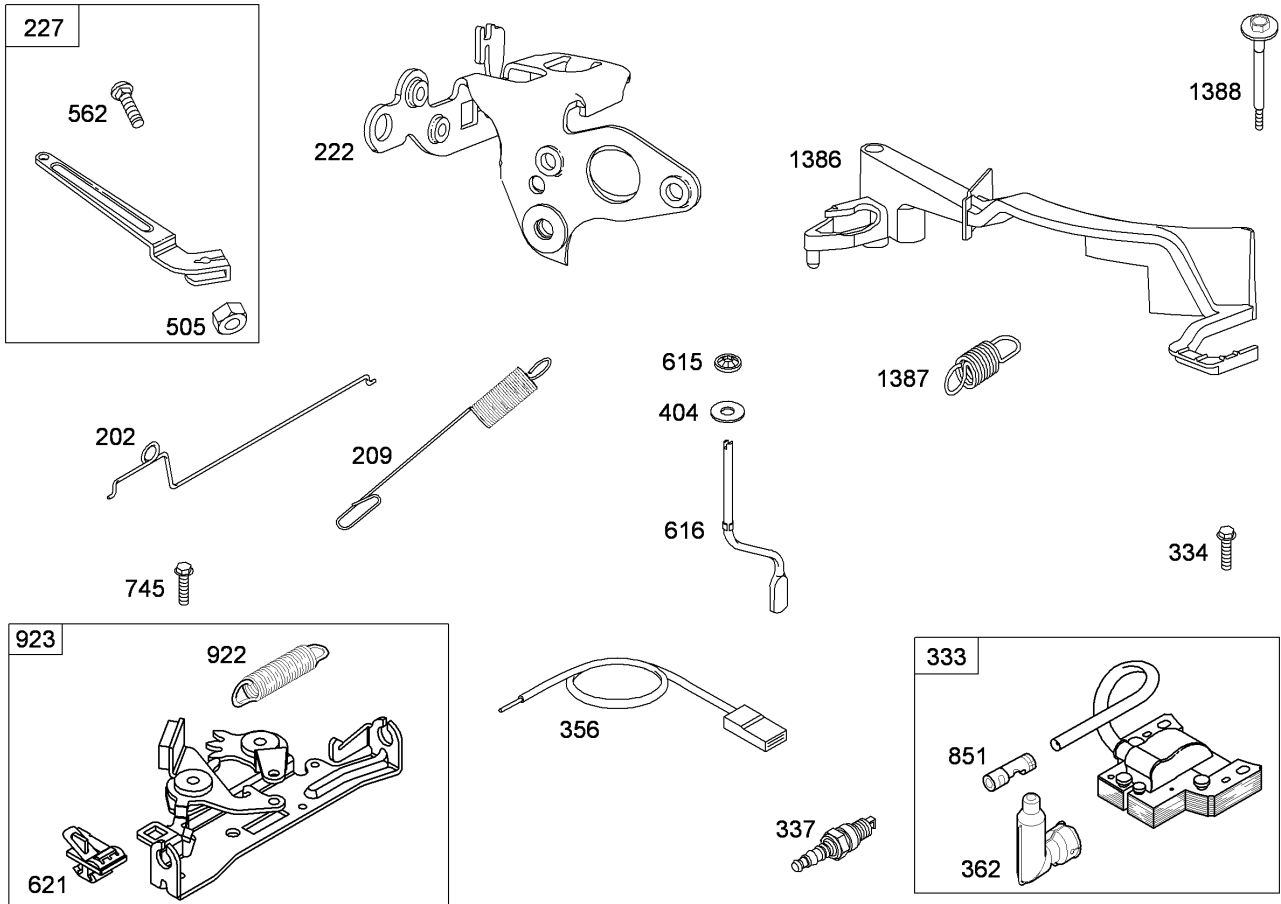


Assemblies include all parts shown in frames

Carburetor Assembly Briggs and Stratton 124T02-0206-B1

Ref	Part No.	Qty.	Description
③ 97	696565	1	Shaft-Throttle
③ ④ 104	691242	1	Pin-Hinge, Float
③ 108	795935	1	Valve-Choke
③ 109	795936	1	Shaft-Choke
③ 117	695042	1	Jet-Main (STD)
③ 125	794304	1	Carburetor
③ ④ 127	694468	1	Plug-Welch
③ 130	696564	1	Valve-Throttle
③ 133	398187	1	Float-Carburetor
③ ④ 134	398188	1	Needle And Seat Kit
③ ④ 137	796610	1	Gasket-Bowl, Float (Used After Date Code 08120100)
③ ④ 137	693981	1	Gasket-Bowl, Float (Used Before Date Code 08120200)
③ ④ 163	795629	1	Gasket-Cleaner, Air
⑤			
③ ④ 276	271716	1	Washer-Sealing
③ 291	790830	1	Thermostat
③ 365	691688	1	Screw (Carburetor)
③ ④ 617	270344s	1	Seal-O Ring (Intake Manifold)
⑤			
③ ④ 633	691321	1	Seal-Shaft, Choke Throttle (Throttle Shaft)
③ 633A	693867	1	Seal-Shaft, Choke Throttle (Choke Shaft)

Ref	Part No.	Qty.	Description
③ ⑤ 883	691881	1	Gasket-Exhaust
⑥			
③ 975	493640	1	Bowl-Float

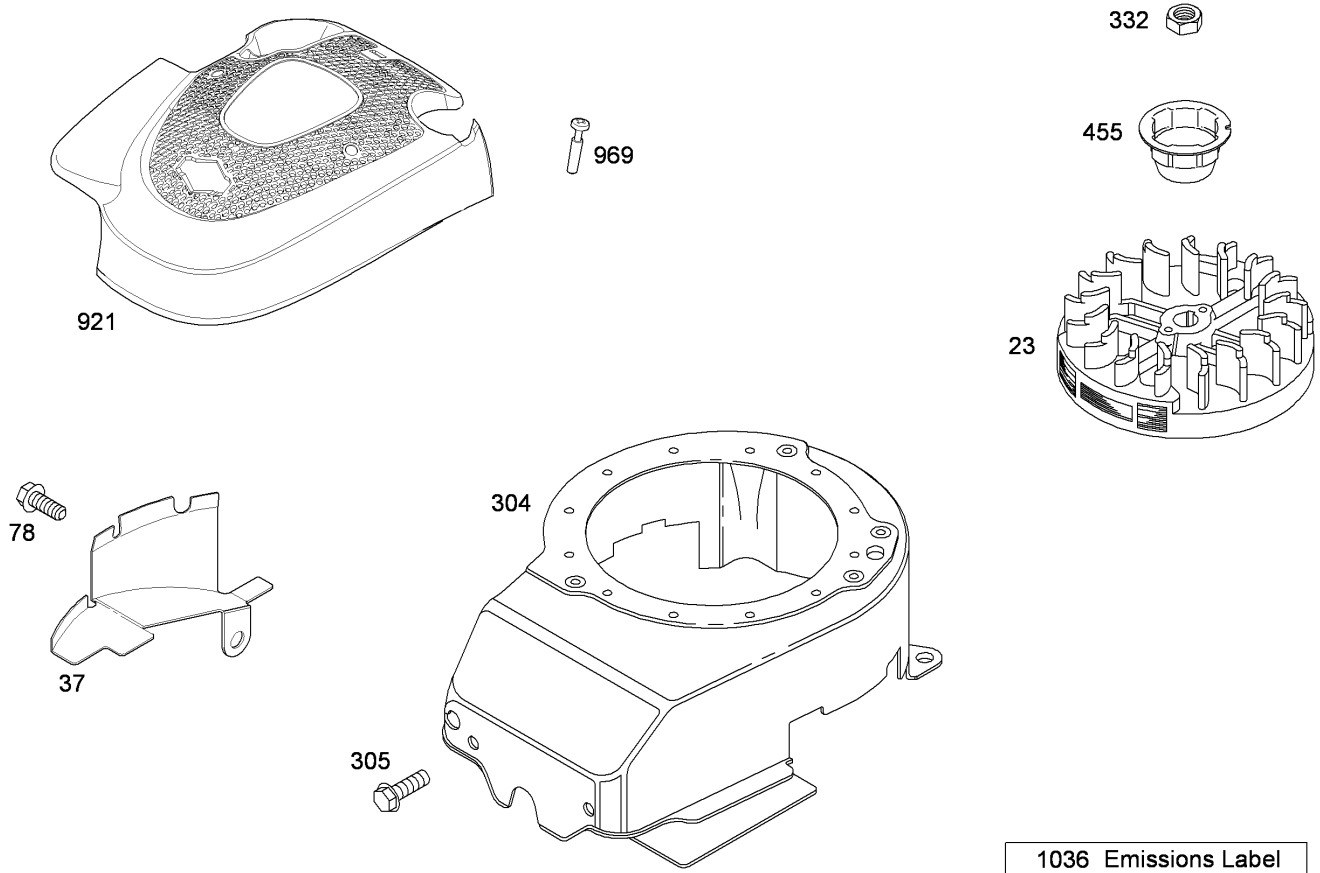


Assemblies include all parts shown in frames

Governor, Controls and Ignition Assembly Briggs and Stratton 124T02-0206-B1

Ref	Part No.	Qty.	Description
●202	691829	1	Link-Governor, Mechanical
●209	691292	1	Spring-Governor (Black)
●222	795937	1	Bracket-Control
●227	690783	1	Lever-Control, Governor
●333	793353	1	Armature-Magneto
●334	691061	1	Screw (Magneto Armature)
●337	802592s	1	Spark Plug
●356	692390	1	Wire-Stop
●362	793351	1	Boot-Spark Plug
●404	690272	1	Washer (Governor Crank)
●505	691251	1	Nut (Governor Control Lever)
●562	691119	1	Bolt (Governor Control Lever)
●615	690340	1	Retainer-Shaft, Governor
●616	698801	1	Crank-Governor
●621	692310	1	Switch-Stop
●745	691648	1	Screw (Brake)
●851	692424	1	Terminal-Spark Plug
●922	692135	1	Spring-Brake
●923	796136	1	Brake
●1386	790848	1	Vane-Air
●1387	790849	1	Spring-Vane, Air
●1388	790850	1	Screw (Air Vane)

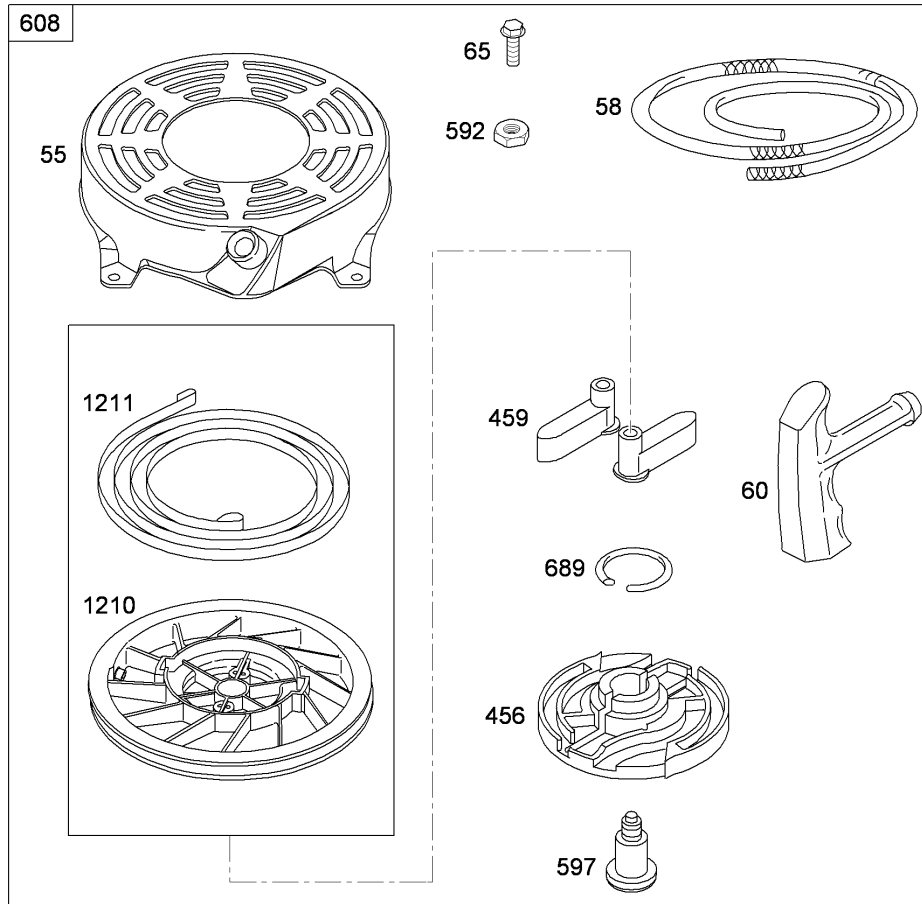
--	--	--	--



Assemblies include all parts shown in frames

Blower Housing and Flywheel Assembly Briggs and Stratton 124T02-0206-B1

Ref	Part No.	Qty.	Description
③23	691987	1	Flywheel
③37	793756	1	Guard-Flywheel
③78	691108	1	Screw (Flywheel Guard)
③304	790826	1	Housing-Blower
③305	691108	1	Screw (Blower Housing)
③332	690662	1	Nut (Flywheel)
③455	791760	1	Cup-Flywheel
③921	792652	1	Cover-Housing, Blower
③969	691138	1	Screw (Blower Housing Cover)
②③1036		1	Label-Emissions

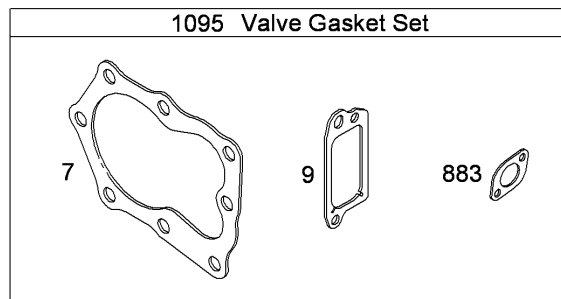
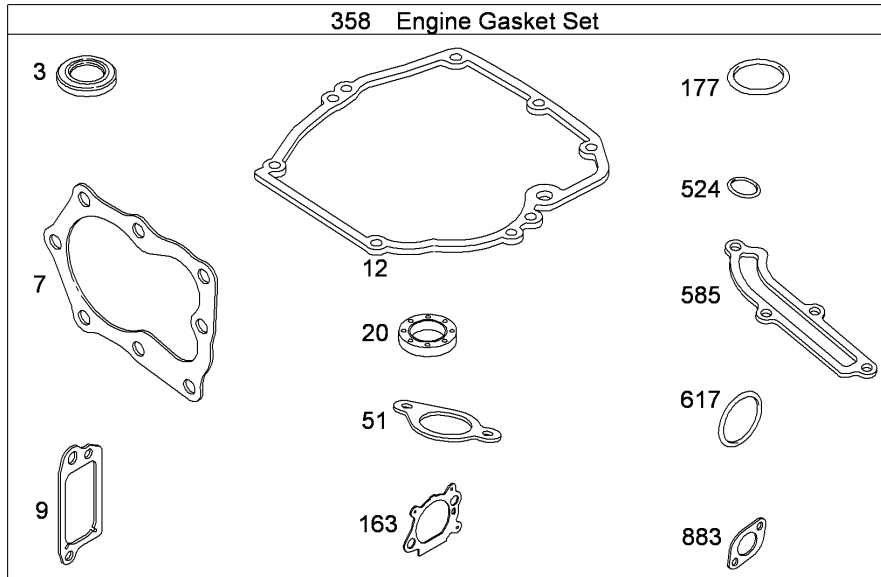


Assemblies include all parts shown in frames

Rewind Starter Assembly Briggs and Stratton 124T02-0206-B1

Ref	Part No.	Qty.	Description
55	691421	1	Housing-Starter, Rewind
58	697316	1	Rope-Starter (Cut To Required Length)
60	281434s	1	Grip-Rope, Starter
65	690837	1	Screw (Rewind Starter)
456	692299	1	Plate-Friction, Pawl
459	281505s	1	Ratchet-Pawl
592	690800	1	Nut (Rewind Starter)
597	691696	1	Screw (Pawl Friction Plate)
608	497680	1	Starter-Rewind
689	691855	1	Spring-Friction
1210	498144	1	Pulley And Spring ASM (Pulley)
1211	498144	1	Pulley And Spring ASM (Spring)

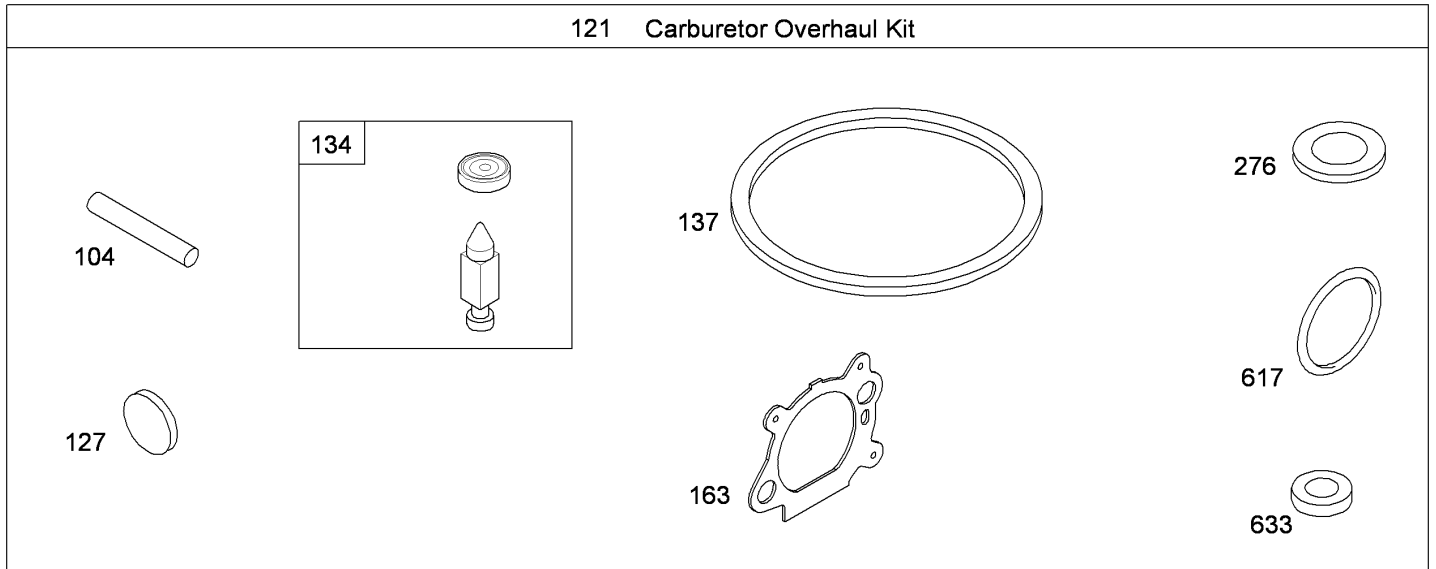
--	--	--	--



Assemblies include all parts shown in frames

Engine and Valve Gasket Sets Briggs and Stratton 124T02-0206-B1

Ref	Part No.	Qty.	Description
353	299819s	1	Seal-Oil (Magneto Side)
357	692249	1	Gasket-Head, Cylinder
359	699472	1	Gasket-Breather
3512	692232	1	Gasket-Crankcase (.015 STD)
3520	399781s	1	Seal-Oil (PTO Side)
3551	272199s	1	Gasket-Intake
4163	795629	1	Gasket-Cleaner, Air
35177	691031	1	Seal-O Ring (Dipstick)
3358	497316	1	Engine Gasket Set
35524	692296	1	Seal-O Ring (Dipstick Tube)
35585	691879	1	Gasket-Passage, Breather
4617	270344s	1	Seal-O Ring (Intake Manifold)
35883	691881	1	Gasket-Exhaust
31095	498528	1	Valve Gasket Set



Assemblies include all parts shown in frames

Carburetor Overhaul Kit Briggs and Stratton 124T02-0206-B1

Ref	Part No.	Qty.	Description
③④ 104	691242	1	Pin-Hinge, Float
③ 121	498260	1	Carburetor Overhaul Kit
③④ 127	694468	1	Plug-Welch
③④ 134	398188	1	Needle And Seat Kit
③④ 137	796610	1	Gasket-Bowl, Float (Used After Date Code 08120100)
③④ 137	693981	1	Gasket-Bowl, Float (Used Before Date Code 08120200)
③④ 163	795629	1	Gasket-Cleaner, Air
③④ 276	271716	1	Washer-Sealing
③④ 617	270344s	1	Seal-O Ring (Intake Manifold)
③④ 633	691321	1	Seal-Shaft, Choke Throttle (Throttle Shaft)

Attachments and Accessories

For 20330C - 22in Recycler Lawn Mower

Product Name	Model/Part
Loose Parts Kit	117-4123
Replacement Bag	59305
Replacement Bag Kit	59307
22 Inch Blade Kit	59534

NOTES

NOTES

NOTES

