



Count on it.

Parts Catalog

Power Clear Snowthrower

Model No. 38582—Serial No. 31000001 and Up

Ordering Replacement Parts

To order replacement parts, please supply the part number, the quantity, and the description of each part desired.

Understanding Reference Numbers

Each identified part in an illustration has a reference number. The reference number for a part also appears in the parts list, along with other information about the part.

This catalog uses two special reference number formats, one to indicate parts in a service assembly and another to indicate the quantity of a given part in an illustration.

Service Assembly Reference Numbers

Parts in service assemblies have reference numbers in the form a:b. The a represents the reference number of the entire service assembly and the b represents a sequential number unique to each part within the service assembly.

For example, a wheel assembly might be identified by reference number 6, the tire by 6:1, the valve by 6:2, and the wheel by 6:3. When you order the assembly identified by reference number 6, you receive all parts identified by reference numbers 6:1, 6:2, and 6:3. However, you may also order any part individually. Reference numbers of this type appear in illustration and in parts lists.

Reference Numbers Indicating Quantity

In an illustration, if a reference number indicates more than one part, the reference number has the form nX y. The n represents the quantity of the part, the X is the multiplication symbol, and the y represents the reference number.

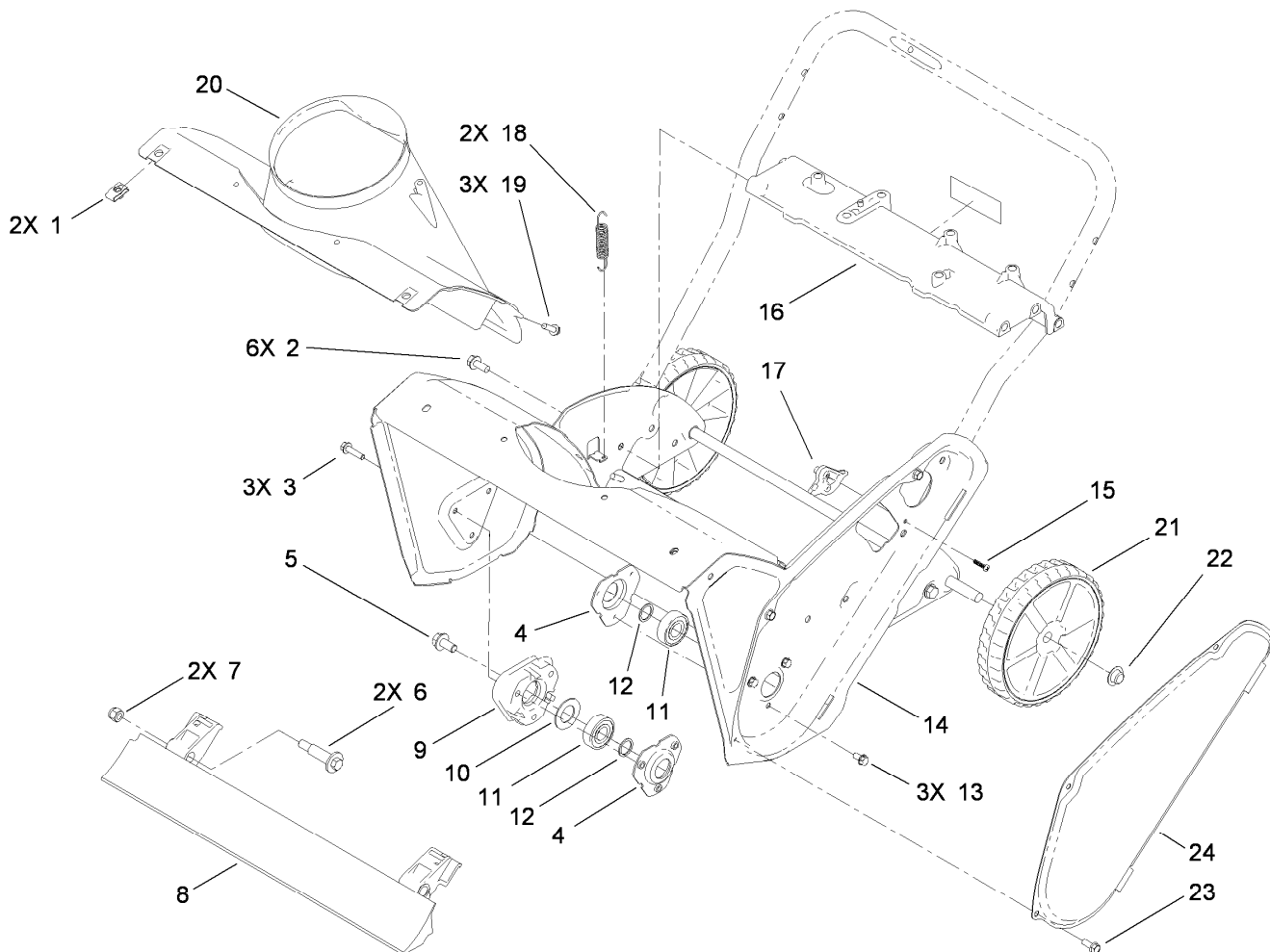
For example, in an illustration, the reference number 2X 37 means that two of the parts identified by reference number 37 are indicated.

List of Abbreviations

| | | |
|--|--|--|
| AR: as required | HLH: hex lag head | PTO: power-take-off |
| ASM: assembly | HOC: height-of-cut | RH: right hand |
| BBC: blade brake clutch | HSBH: hex socket button head | ROPS: roll-over protection system |
| CARR: carriage | HSFH: hex socket flat head | SFH: slotted fillister head |
| CCW: counter clock wise | HSH: hex socket head | SHH: slotted hex head |
| CW: clockwise | HWH: hex washer head | SHWH: slotted hex washer head |
| DEG: degrees | HWHTF: hex washer head thread forming | SPH: slotted pan head |
| ECM: electronic control module | HYD: hydraulic | SQH: square head |
| EXT: external | LH: left hand | SRH: slotted round head |
| FH: flat head | NI: nylon insert | STD: standard |
| GA: gauge | NPTF: national pipe thread fine | TAP: self tapping |
| HD: heavy-duty | PFH: phillips flat head | TTH: torx truss head |
| HF: hex flange | PPH: phillips pan head | |
| HH: hex head | PPHTF: phillips pan head thread forming | |
| HHF: hex head flange | PRH: phillips round head | |
| HHFTF: hex head flange thread forming | PTH: phillips truss head | |
| HJ: hex jam | | |

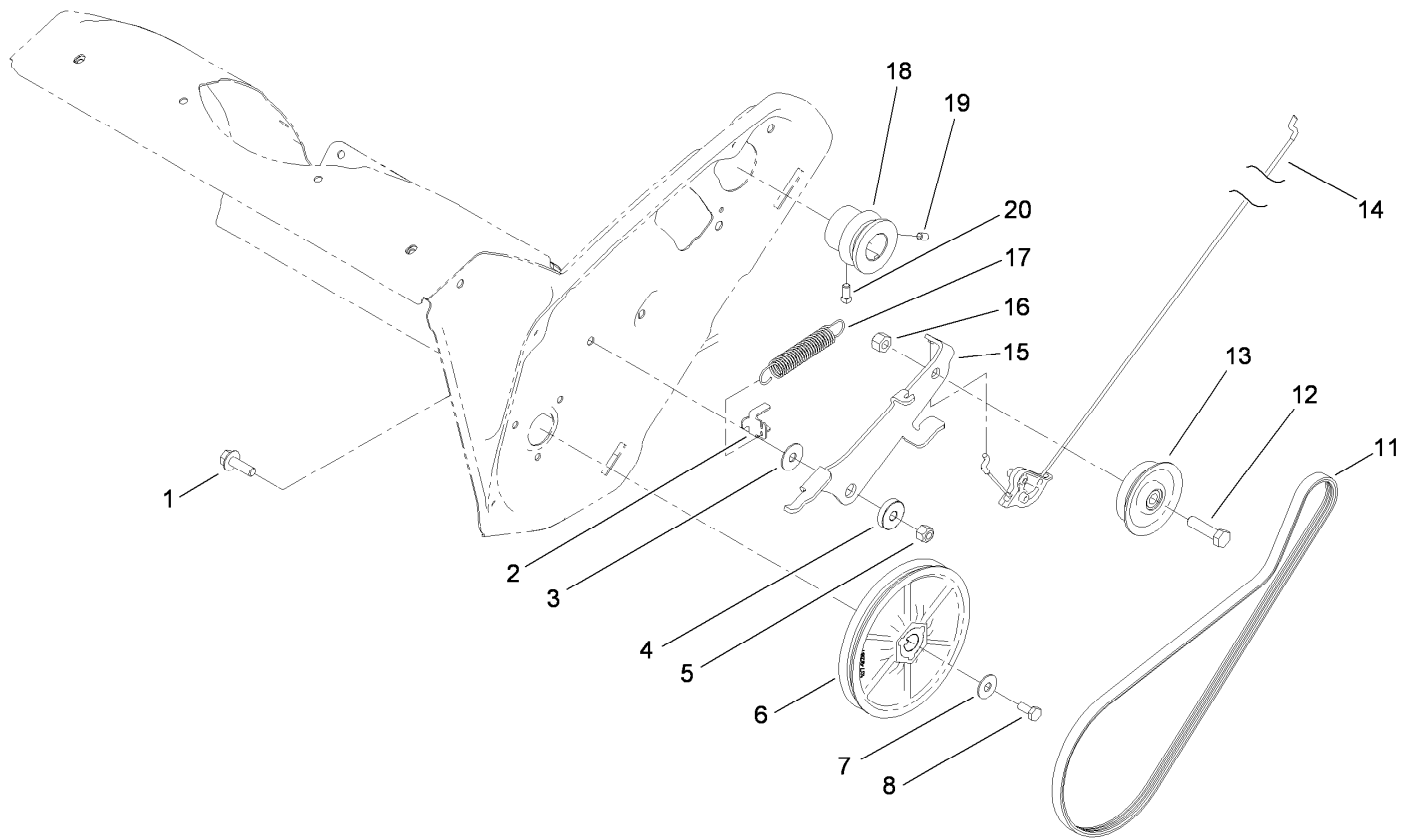
Contents

- Main Frame Assembly 4
- Rotor Drive Assembly 5
- Rotor Assembly 6
- Engine Assembly 7
- Shroud Assembly 8
- Chute Control Assembly 9
- Handle Assembly 10
- Attachments and Accessories 11



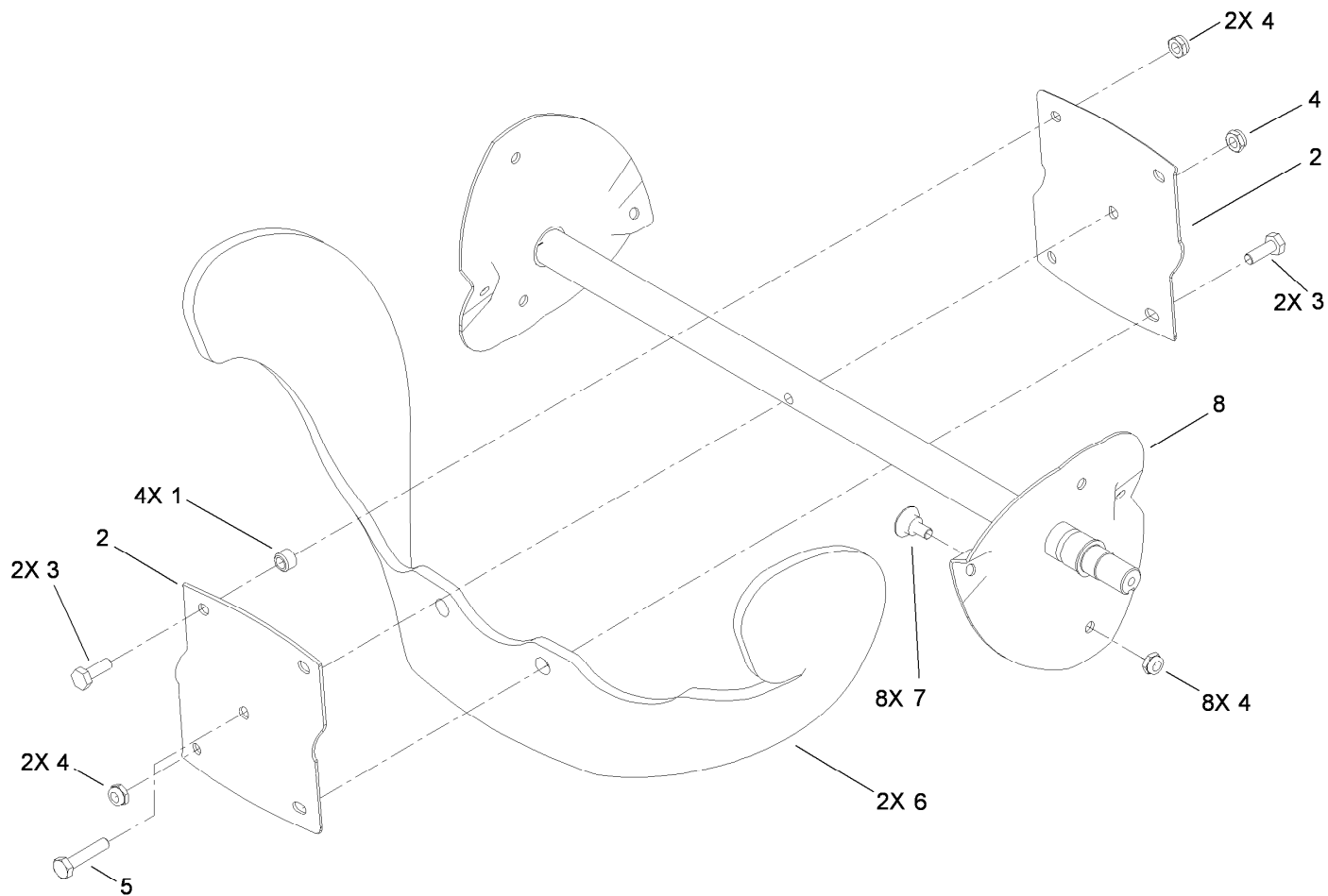
Main Frame Assembly

| Ref. | Part Number | Qty. | Description |
|------|-------------|------|---------------------|
| 1 | 107069 | 2 | Clip |
| 2 | 32144-11 | 6 | Screw-HWHTF |
| 3 | 32144-86 | 3 | Screw-HWHTF |
| 4 | 108-4943 | 2 | Flange-Bearing |
| 5 | 110-9380 | 1 | Screw-HWH |
| 6 | 56-6590 | 2 | Bolt-Wheel |
| 7 | 3296-39 | 2 | Nut-Lock, NI |
| 8 | 108-4884 | 1 | Blade-Scraper |
| 9 | 114-3781 | 1 | Spacer-Bearing, RH |
| 10 | 110-9353 | 1 | Washer-Rubber |
| 11 | 100-1048 | 2 | Bearing-Ball |
| 12 | 52-7280 | 2 | Washer-Thrust |
| 13 | 32144-4 | 3 | Screw-HWH |
| 14 | 108-4868-03 | 1 | Housing-Auger |
| 15 | 94-4496 | 1 | Screw-PPH |
| 16 | 108-4905 | 1 | Brace-Frame |
| 17 | 108-4919 | 1 | Guide-Cable, Clutch |
| 18 | 108-4906 | 2 | Spring-Extension |
| 19 | 46-8091 | 3 | Screw-HWH |
| 20 | 108-4871 | 1 | Chute-Lower |
| 21 | 117-2309 | 2 | Wheel ASM |
| 22 | 32112-14 | 2 | Nut-Push |
| 23 | 32144-85 | 3 | Screw-HWH |
| 24 | 108-4893-03 | 1 | Cover-Belt |



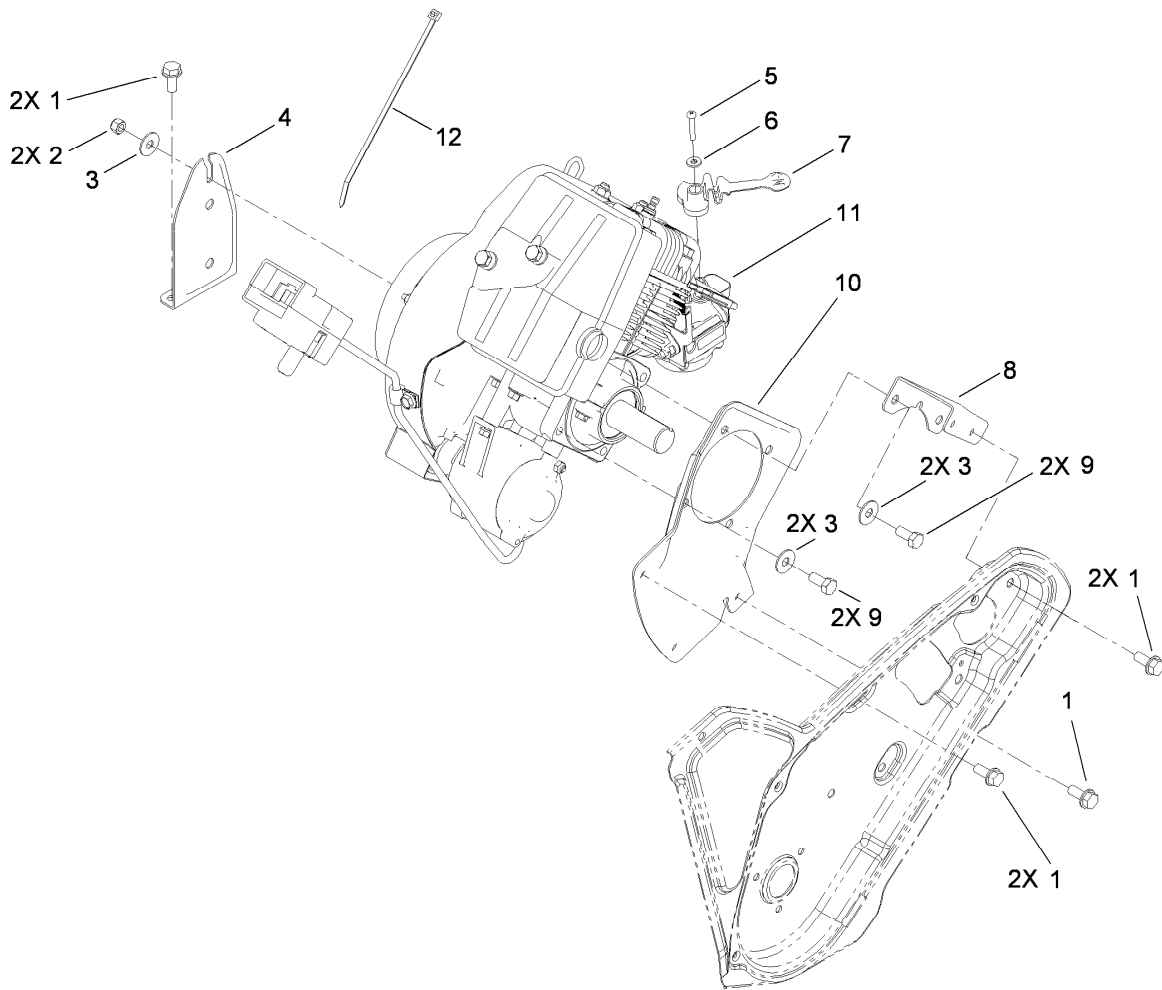
Rotor Drive Assembly

| <i>Ref.</i> | <i>Part Number</i> | <i>Qty.</i> | <i>Description</i> |
|-------------|--------------------|-------------|--------------------|
| 1 | 3234-29 | 1 | Screw-HHF |
| 2 | 108-4938 | 1 | Clip-Spring, Brake |
| 3 | 108-4925 | 1 | Washer |
| 4 | 108-4916 | 1 | Bushing-Pivot |
| 5 | 3296-29 | 1 | Nut-Lock, NI |
| 6 | 107-9287 | 1 | Rotor Pulley ASM |
| 7 | 3290-456 | 1 | Washer-Belleville |
| 8 | 110-9381 | 1 | Screw-HH |
| 11 | 108-4921 | 1 | Belt-Drive |
| 12 | 323-29 | 1 | Screw-HH |
| 13 | 114-3785 | 1 | Pulley-Idler |
| 14 | 115-5682 | 1 | Cable-Clutch |
| 15 | 114-3782 | 1 | Arm-Idler |
| 16 | 32152-2 | 1 | Nut-Lock, Cone |
| 17 | 114-3788 | 1 | Spring-Extension |
| 18 | 107-9291 | 1 | Pulley-3 Groove |
| 19 | 3245-32 | 1 | Screw-HSH |
| 20 | 3241-7 | 1 | Screw-SQH |



Rotor Assembly

| <i>Ref.</i> | <i>Part Number</i> | <i>Qty.</i> | <i>Description</i> |
|-------------|--------------------|-------------|---------------------|
| 1 | 55-9370 | 4 | Spacer-Blade, Rotor |
| 2 | 66-6600-03 | 2 | Half-Rotor |
| 3 | 321-4 | 4 | Screw-HH |
| 4 | 3296-56 | 13 | Nut-Lock, NI |
| 5 | 321-8 | 1 | Screw-HH |
| 6 | 99-9313 | 2 | Blade-Rotor |
| 7 | 84-1971 | 8 | Screw |
| 8 | 108-4894-03 | 1 | Rotor |

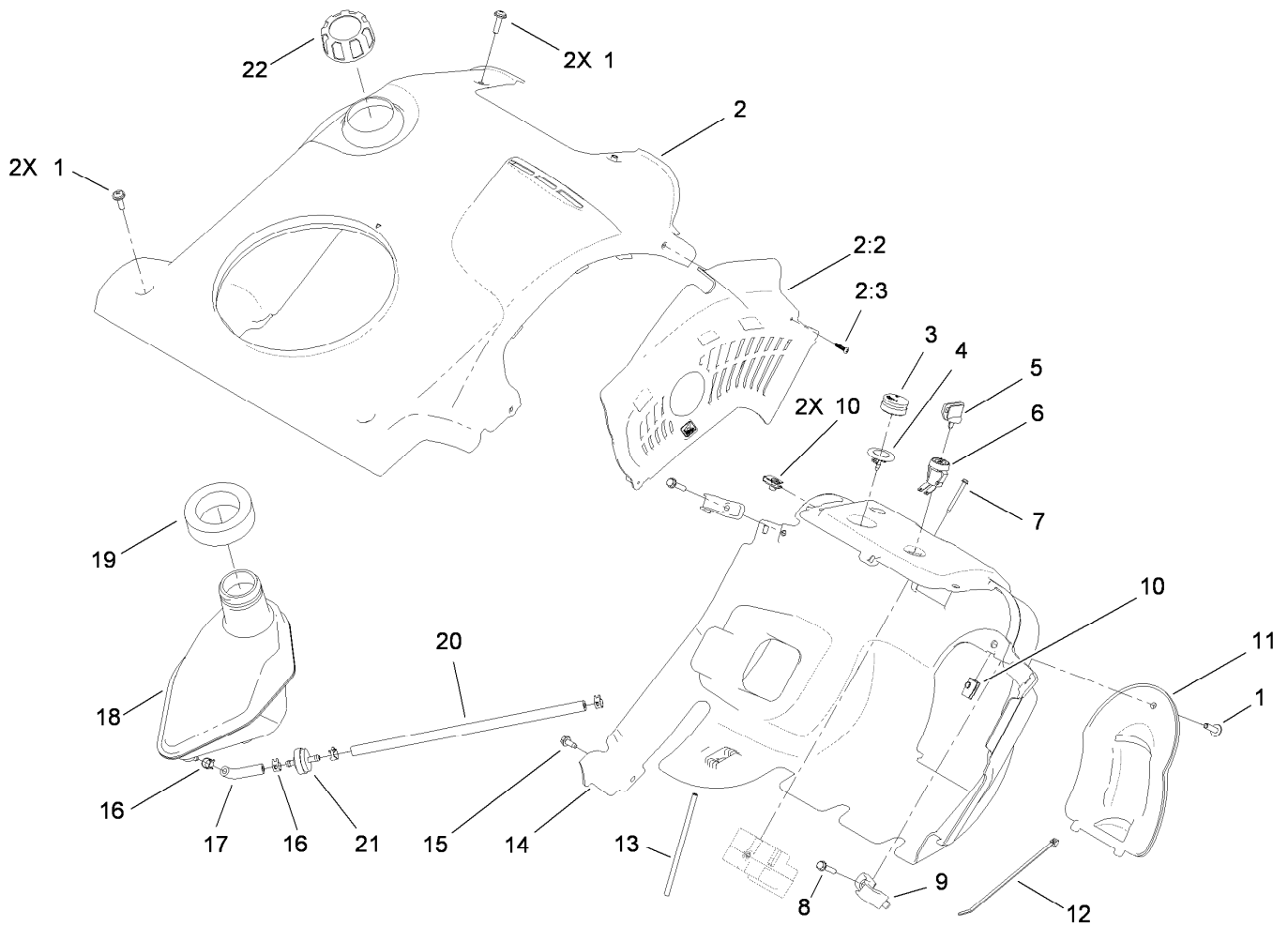


Engine Assembly

| Ref. | Part Number | Qty. | Description |
|------|-------------|------|-----------------------------------|
| 1 | 32144-11 | 7 | Screw-HWHTF |
| 2 | 3296-42 | 1 | Nut-Lock, NI |
| 3 | 3290-456 | 5 | Washer-Belleville |
| 4 | 108-4891-03 | 1 | Bracket-Recoil |
| 5 | 32144-97 | 1 | Screw-PPH, Plastite |
| 6 | 3256-14 | 1 | Washer-Flat |
| 7 | 110-9382 | 1 | Lever-Choke |
| 8 | 108-4888-03 | 1 | Support-Engine, Side |
| 9 | 322-3 | 4 | Screw-HH |
| 10 | 108-4890-03 | 1 | Plate-Engine, PTO |
| 11 | | 1 | Engine-B & S, 0842330199-E8 ●■ |
| 12 | 614249 | 1 | Strap-Tie |

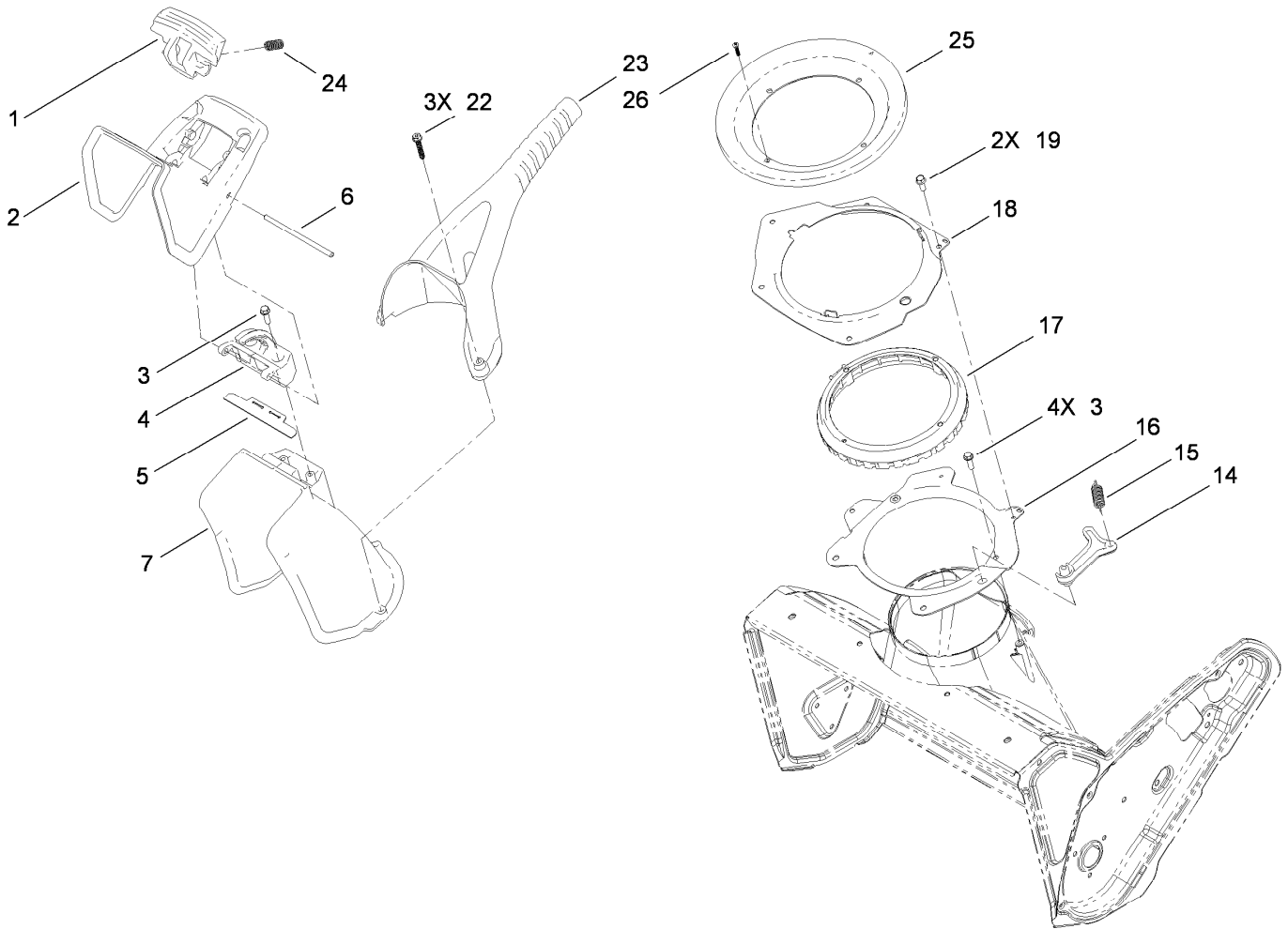
● Not serviced separately

■ Obtain parts from www.briggsandstratton.com



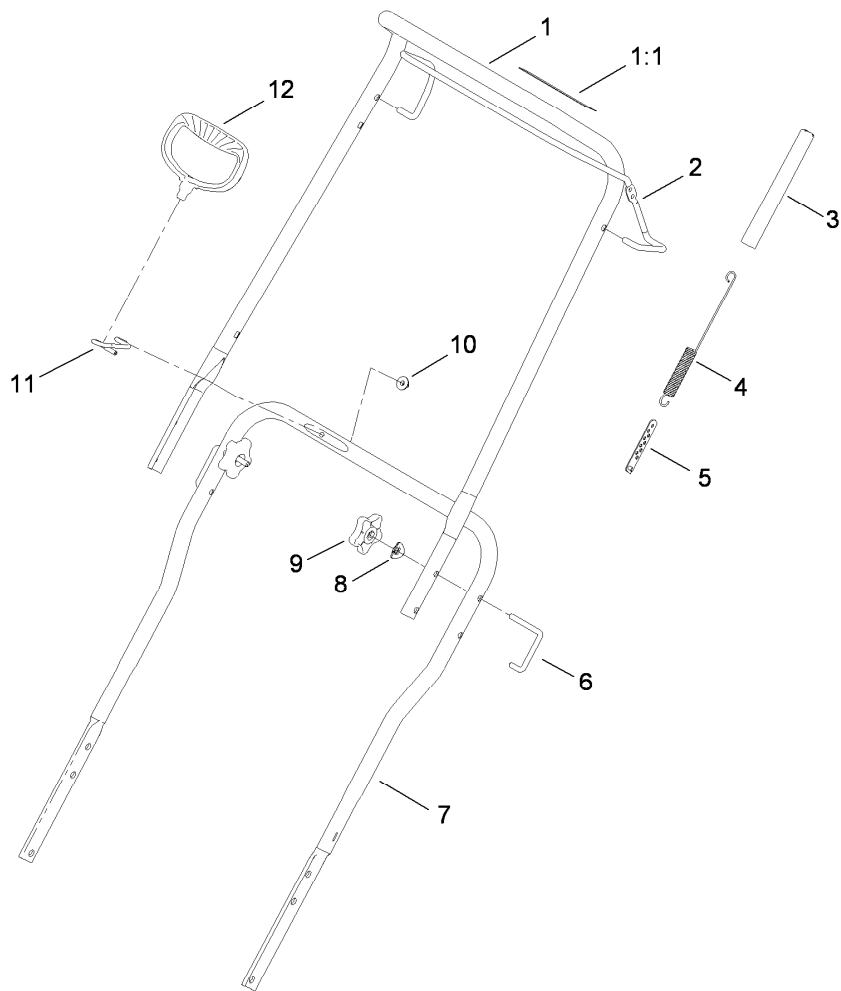
Shroud Assembly

| <i>Ref.</i> | <i>Part Number</i> | <i>Qty.</i> | <i>Description</i> |
|-------------|--------------------|-------------|--------------------------|
| 1 | 110-9361 | 5 | Screw-PPH, Sems |
| 2 | 114-3758 | 1 | Shroud ASM |
| 2:2 | 114-3793 | 1 | Baffle-Heat |
| 2:3 | 94-4496 | 2 | Screw-PPH |
| 3 | 66-7460 | 1 | Bulb-Primer |
| 4 | 44-2750 | 1 | Body-Primer |
| 5 | 63-8360 | 1 | Key-Ignition |
| 6 | 40-5940 | 1 | Switch |
| 7 | 32144-27 | 3 | Screw-Plastite |
| 8 | 46-8092 | 2 | Screw-Plastite |
| 9 | 108-4947 | 2 | Clip-Shroud |
| 10 | 107069 | 3 | Clip |
| 11 | 108-4896 | 1 | Panel-Access, Carburetor |
| 12 | 614249 | 1 | Strap-Tie |
| 13 | 114-3767 | 1 | Hose-Primer |
| 14 | 108-4928 | 1 | Shroud-Lower |
| 15 | 32144-85 | 1 | Screw-HWH |
| 16 | 2412-98 | 4 | Clamp |
| 17 | 114-3765 | 1 | Hose-Fuel |
| 18 | 108-4880 | 1 | Tank-Gas |
| 19 | 114-3773 | 1 | Seal-Tank |
| 20 | 114-3766 | 1 | Hose-Fuel |
| 21 | 56-6360 | 1 | Filter-Fuel |
| 22 | 104-4133 | 1 | Gas Cap ASM |



Chute Control Assembly

| Ref. | Part Number | Qty. | Description |
|-------------|--------------------|-------------|--------------------------|
| 1 | 108-4941 | 1 | Trigger-Deflector |
| 2 | 114-1711 | 1 | Deflector-Chute, Ce |
| 3 | 46-8091 | 6 | Screw-HWH |
| 4 | 108-4942 | 1 | Hinge-Ratchet, Deflector |
| 5 | 114-3790 | 1 | Seal-Deflector |
| 6 | 110-9368 | 1 | Pin-Hinge, Deflector |
| 7 | 108-4939 | 1 | Chute |
| 14 | 108-4926 | 1 | Pawl-Detent |
| 15 | 80-4600 | 1 | Spring-Extension |
| 16 | 108-4883-03 | 1 | Ring-Support, Chute |
| 17 | 108-4922 | 1 | Ring-Chute, Detent |
| 18 | 108-4874-03 | 1 | Retainer-Ring, Chute |
| 19 | 32144-85 | 2 | Screw-HWH |
| 22 | 114-3751 | 3 | Screw-HWH, Plastite |
| 23 | 110-9366 | 1 | Handle-Chute |
| 24 | 110-9360 | 2 | Spring-Compression |
| 25 | 114-3772 | 1 | Seal-Ring, Chute |
| 26 | 94-4496 | 1 | Screw-PPH |



Handle Assembly

| <i>Ref.</i> | <i>Part Number</i> | <i>Qty.</i> | <i>Description</i> |
|-------------|--------------------|-------------|------------------------|
| 1 | 114-3768 | 1 | Upper Handle ASM |
| 1:1 | 94-2577 | 1 | Decal-Drive, Rotor |
| 2 | 114-3780-03 | 1 | Bail-Control |
| 3 | 114-3796 | 1 | Cover-Spring |
| 4 | 108-4920 | 1 | Spring-Extension |
| 5 | 71-5330 | 1 | Adjuster-Cable, Clutch |
| 6 | 108-4887 | 2 | Lock-Handle |
| 7 | 108-4944-03 | 1 | Handle-Lower |
| 8 | 107-3844 | 2 | Washer |
| 9 | 106-4161 | 2 | Knob-Handle |
| 10 | 114-3778 | 1 | Nut-Lock NI |
| 11 | 108-4949 | 1 | Guide-Rope |
| 12 | 117-9104 | 1 | Handle-Recoil, Blue |

Attachments and Accessories

For 38582 Power Clear Snowthrower

Product Name

Model/Part

Snow Cab 88-0600



Count on it.