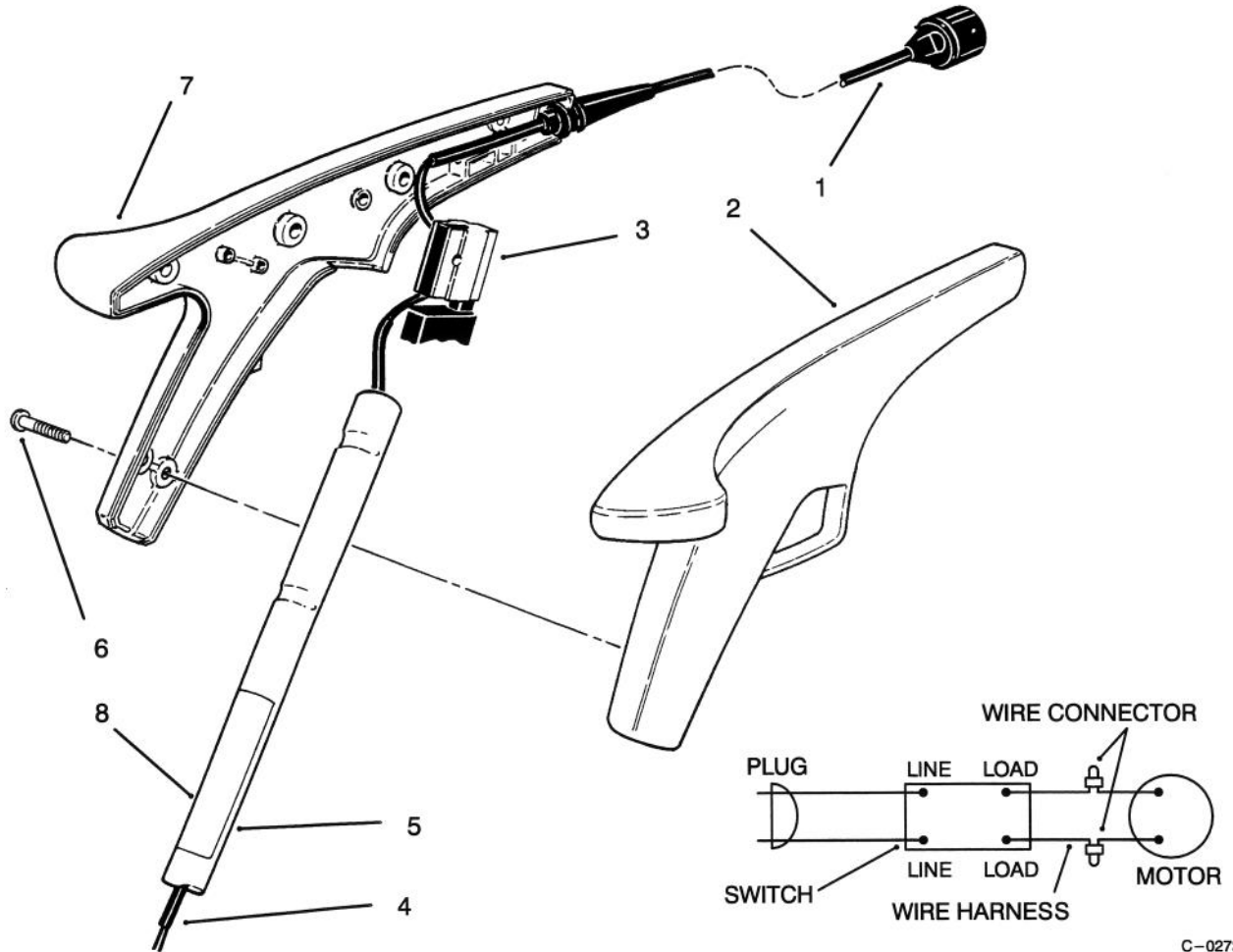




MODEL NO. 51231-490001 & UP

PARTS
CATALOG

8" TRIMMER

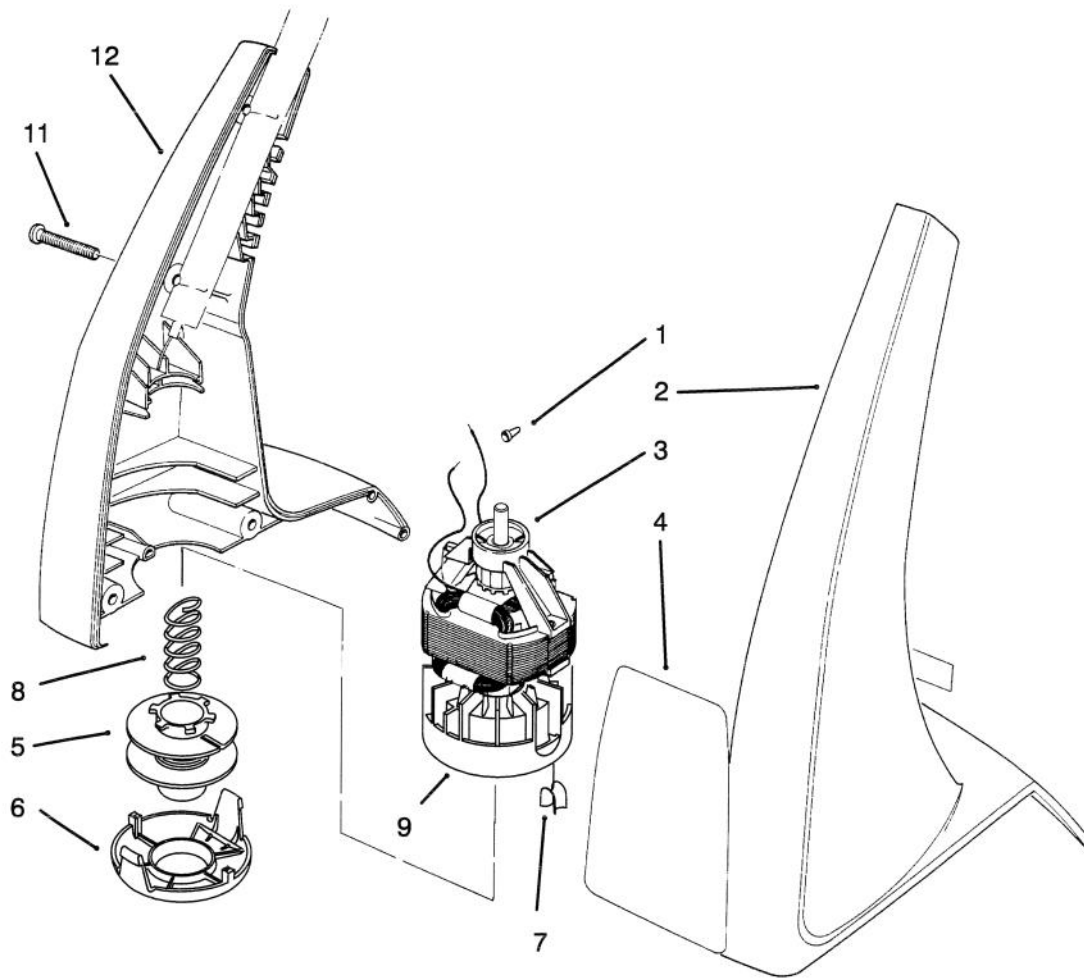


C-0273

HANDLE ASSEMBLY

Ref. No.	Part No.	Description	No. Used
1	42-0776	Cord - Power	1
2	73-8540	Grip- L.H.	1
3	29-7660	Switch	1
4	34-9751	Harness - Wiring	1

Ref. No.	Part No.	Description	No. Used
5	73-9120	Tube Assy. (Incl. Ref.# 8)	1
6	32104-121	Screw	6
7	73-8530	Grip - R.H.	1
8	73-8420	Decal - Safety	1



C-1989

MOTOR & HOUSING ASSEMBLY

Ref. No.	Part No.	Description	No. Used
1	218-496	Connector - Wire	2
2	73-8400	Housing - L.H.	1
3	73-9040	Motor Assembly (Incl. Ref. #9 & 7)	1
4	73-8430	Decal	1
5	73-8500	20 Ft. .050 Dia. Cutting Line Prewound on Spool	1
*	73-8240	Empty Spool	1

Ref. No.	Part No.	Description	No. Used
*	34-3890	30 Ft. .050 Dia. Cutting Line	1
6	73-8250	Cap	1
7	73-8260	Eyelet	1
8	73-8270	Spring	1
9		Drum	1
11	32104-121	Screw	5
12	73-9080	Housing Assembly - R.H.	1

*Not Illustrated