



## Power Shovel™

Model No. 38361 - 310000001 and up.

### Parts Catalog

---

#### Ordering Replacement Parts

To order replacement parts, please supply the part number, the quantity, and the description of each part desired.

#### Understanding Reference Numbers

Each Identified part in an illustration has a reference number. The reference number for a part also appears in the parts list, along with other information about the part.

This catalog uses two special reference number formats, one to indicate parts in a service assembly and another to indicate the quantity of a given part in an illustration.

#### Service Assembly Reference Numbers

Parts in service assemblies have reference numbers in the form a:b. The a represents the reference number of the entire service assembly and the b represents a sequential number unique to each part within the service assembly.

For example, a wheel assembly might be identified by reference number 6, the tire by 6:1, the valve by 6:2, and the wheel by 6:3. When you order the assembly identified by reference number 6, you receive all parts identified by reference numbers 6:1, 6:2, and 6:3. However, you may also order any part individually. Reference numbers of this type appear in illustrations and in part lists.

#### Reference Numbers Indicating Quantity

In an illustration, if a reference number indicates more than one part, the reference number has the form nX y. The n represents the quantity of the part, the X is the multiplication symbol, and the y represents the reference number.

For example, in an illustration, the reference number 2X 37 means that two of the parts identified by reference number 37 are indicated.

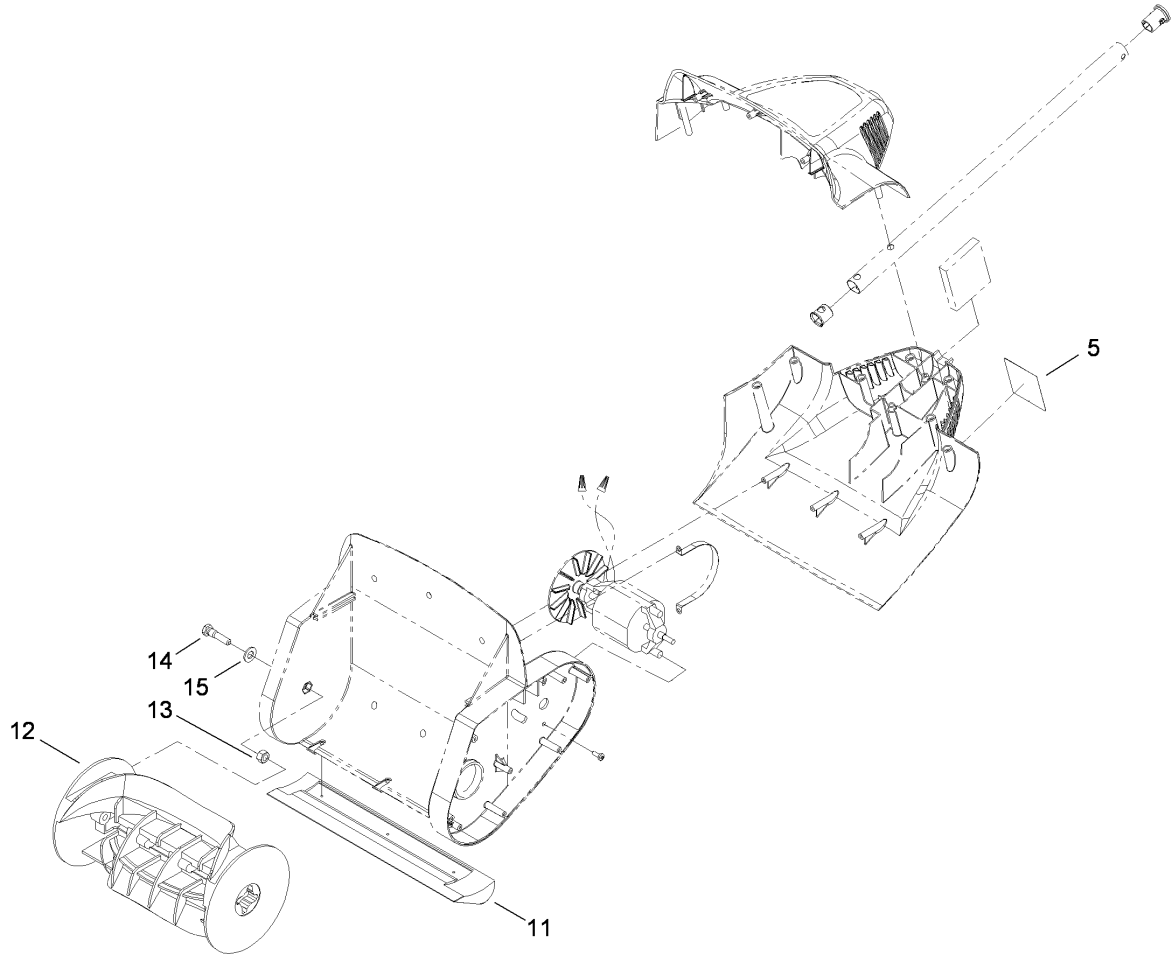
# Contents

Description	Page	Description	Page
Shroud and Auger Assembly	..... 3	Pulley and Drive Assembly	..... 5
Handle Assembly	..... 4		

## Part Description Abbreviations

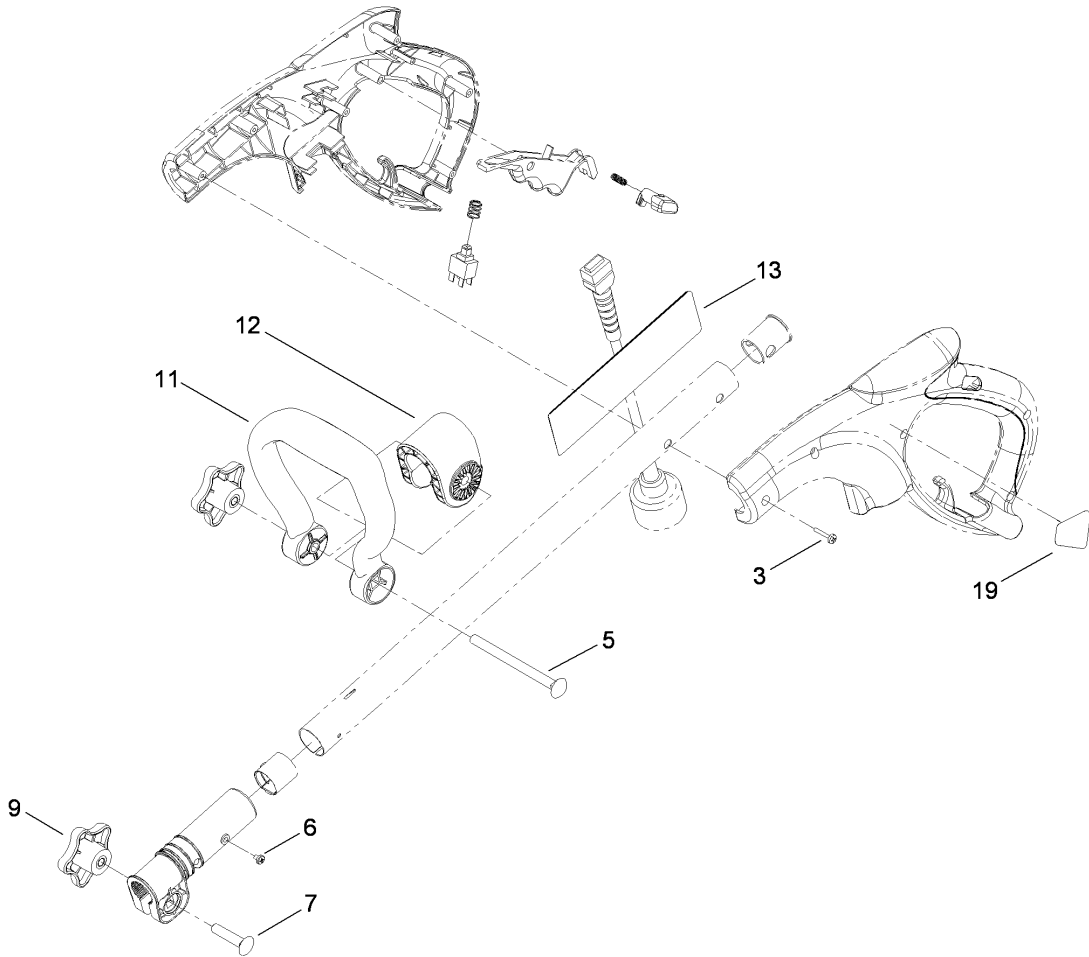
Part descriptions in this catalog may include the following abbreviations.

AR. ....	as required	HWHTF. ....	hex washer head thread forming
ASM. ....	assembly	HYD. ....	hydraulic
BBC. ....	blade brake clutch	LH. ....	left hand
CARR. ....	carriage	NI. ....	nylon insert
CCW. ....	counter clock wise	NPTF. ....	national pipe thread fine
CW. ....	clockwise	PFH. ....	phillips flat head
DEG. ....	degrees	PPH. ....	phillips pan head
ECM. ....	electronic control module	PPHTF. ....	phillips pan head thread forming
EXT. ....	external	PRH. ....	phillips round head
FH. ....	flat head	PTH. ....	phillips truss head
GA. ....	gauge	PTO. ....	power-take-off
HD. ....	heavy-duty	RH. ....	right hand
HF. ....	hex flange	ROPS. ....	roll-over protection system
HH. ....	hex head	SFH. ....	slotted fillister head
HHF. ....	hex head flange	SHH. ....	slotted hex head
HHFTF. ....	hex head flange thread forming	SHWH. ....	slotted hex washer head
HJ. ....	hex jam	SPH. ....	slotted pan head
HLH. ....	hex lag head	SQH. ....	square head
HOC. ....	height-of-cut	SRH. ....	slotted round head
HSBH. ....	hex socket button head	STD. ....	standard
HSFH. ....	hex socket flat head	TAP. ....	self tapping
HSH. ....	hex socket head	TTH. ....	torx truss head
HWH. ....	hex washer head		



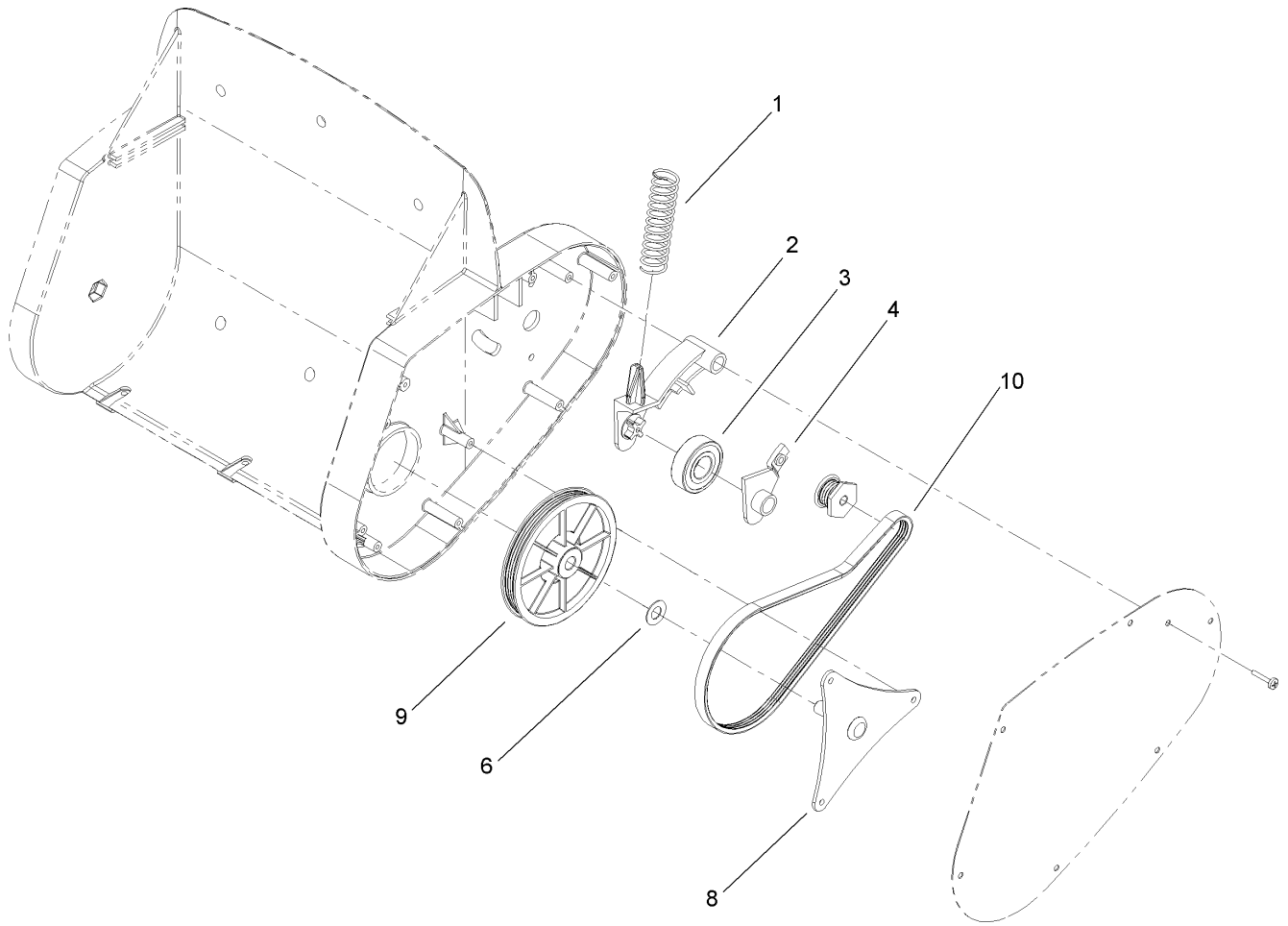
## Shroud and Auger Assembly

Ref	Part No.	Qty.	Description	
5	114-8987	1	Decal-Danger	
11	106-9786	1	Scraper-Snow	
12	106-9798	1	Rotor-Snow	
13	32153-11	1	Nut-Lock	
14	38-8211	1	Pin-Rotor	
15	3256-80	1	Washer-Flat	



### Handle Assembly

Ref	Part No.	Qty.	Description
3	94-4496	38	Screw-PPH
5	106-9758	1	Screw-CARR
6	106-9779	1	Screw-Self Tapping
7	33-5790	1	Bolt-Carriage
9	106-4161	2	Knob-Handle
11	106-9759	1	Handle-Assist
12	106-9760	1	Collar-Handle, Assist
13	112-1597	1	Decal-UI/Warning
19	114-8985	1	Decal-Control



### Pulley and Drive Assembly

Ref	Part No.	Qty.	Description
1	61-8880	1	Spring
2	106-9796	1	Arm-Idler
3	100-1048	1	Bearing-Ball
4	106-9797	1	Retainer-Pulley, Idler Arm
6	37-8080	1	Washer-Thrust
8	106-9781	1	Pulley Bracket ASM
9	107-9986	1	Pulley ASM
10	106-9767	1	Belt-Drive


## NOTES

# NOTES

