



Multi-Pro[®] 5700-D Turf Sprayer

Model No. 41582 - 290000401 and up.

Parts Catalog

Ordering Replacement Parts

To order replacement parts, please supply the part number, the quantity, and the description of each part desired.

Understanding Reference Numbers

Each identified part in an illustration has a reference number. The reference number for a part also appears in the parts list, along with other information about the part.

This catalog uses two special reference number formats, one to indicate parts in a service assembly and another to indicate the quantity of a given part in an illustration.

Service Assembly Reference Numbers

Parts in service assemblies have reference numbers in the form a:b. The a represents the reference number of the entire service assembly and the b represents a sequential number unique to each part within the service assembly.

For example, a wheel assembly might be identified by reference number 6, the tire by 6:1, the valve by 6:2, and the wheel by 6:3. When you order the assembly identified by reference number 6, you receive all parts identified by reference numbers 6:1, 6:2, and 6:3. However, you may also order any part individually. Reference numbers of this type appear in illustrations and in part lists.

Reference Numbers Indicating Quantity

In an illustration, if a reference number indicates more than one part, the reference number has the form nX y. The n represents the quantity of the part, the X is the multiplication symbol, and the y represents the reference number.

For example, in an illustration, the reference number 2X 37 means that two of the parts identified by reference number 37 are indicated.

Contents

| Description | Page | Description | Page |
|---|-------------|--|-------------|
| Front Suspension Assembly | 4 | Sprayer Component Assembly | 47 |
| Seat, Engine Cover and Front Console Assembly | 5 | Left Hand Boom Mount Assembly | 48 |
| Control Console Assembly | 6 | Right Hand Boom Mount Assembly | 49 |
| Rear Wheel Assembly | 7 | Oil Cooler and Radiator Assembly | 50 |
| Hydraulic Motor Assembly No. 93-6488 | 8 | Electrical Panel Assembly | 51 |
| Brake Assembly No. 100-3069-03 | 9 | Boom Assembly | 52 |
| Planetary Assembly No. 105-4500-03 | 10 | Center Boom Assembly | 53 |
| Brake Assembly No. 100-3070-03 | 11 | Left and Right Hand Boom Assembly | 55 |
| Hydraulic Motor Assembly No. 93-6489 | 12 | RH Single Body Turret Assembly No. 108-3726 | 56 |
| Brake and Pedal Assembly | 13 | LH Single Turret Body Assembly No. 108-3725 | 57 |
| Frame, Fender and Battery Assembly | 14 | Double Turret Body Assembly No. 108-3727 | 58 |
| Fresh Water and Spray Tank Assembly | 15 | Crankcase Assembly | 59 |
| Lid Assembly | 16 | Oil Pan Assembly | 60 |
| Fresh Water Tank Assembly No. 100-8438 | 17 | Cylinder Head Assembly | 61 |
| Exhaust Assembly | 18 | Gear Case Assembly | 62 |
| Dash and Instrument Assembly | 19 | Cylinder Head Cover Assembly | 63 |
| Dash Panel Assembly No. 106-5019 | 20 | Dipstick and Guide Assembly | 64 |
| Hydraulic Pump Assembly | 21 | Main Bearing Case Assembly | 65 |
| Gear Pump Assembly No. 93-6492 | 23 | Cam Shaft and Idle Gear Assembly | 66 |
| Piston Pump Assembly No. 93-6491 | 24 | Piston and Crankshaft Assembly | 67 |
| Control Assembly No. 93-6306 | 26 | Flywheel Assembly | 68 |
| Front Wheel, Tie Rod and Spindle Assembly | 27 | Fuel Camshaft and Governor Shaft Assembly | 69 |
| Pump Drive Assembly | 28 | Idle Apparatus Assembly | 70 |
| Spray Pump Assembly No. 104-9099 | 30 | Injection Pump Assembly | 71 |
| Pump Assembly No. 106-5121 | 31 | Governor Assembly | 72 |
| Steering Assembly | 32 | Speed Control Plate Assembly | 73 |
| Steering Control Assembly No. 114-5076 | 33 | Nozzle Holder and Glow Plug Assembly | 74 |
| Hydraulic Cylinder Assembly No. 93-6510 | 34 | Nozzle Holder Component Assembly | 75 |
| Engine and Air Cleaner Assembly | 35 | Alternator and Pulley Assembly | 76 |
| Air Cleaner Assembly No. 106-5277 | 36 | Alternator Component Assembly | 77 |
| Drive Linkage Assembly | 37 | Starter Assembly | 78 |
| Fuel and Hydraulic Tank Assembly | 38 | Starter Assembly No. 98-9705 | 79 |
| Traction Pedal Assembly | 39 | Water Flange and Thermostat Assembly | 80 |
| Internal Sprayer Component Assembly No. 1 | 40 | Water Pump Assembly | 81 |
| Valve Boom Assembly | 42 | Valve and Rocker Arm Assembly | 82 |
| Valve Agitation Assembly | 43 | Inlet and Exhaust Manifold Assembly | 83 |
| Internal Sprayer Component Assembly No. 2 | 44 | Muffler Gasket, Glow Controller and Overflow Bottle Assembly | 84 |
| Filter Assembly No. 104-9154 | 45 | Attachments and Accessories List | 85 |
| Safety Valve Assembly No. 100-6820 | 46 | | |

Part Description Abbreviations

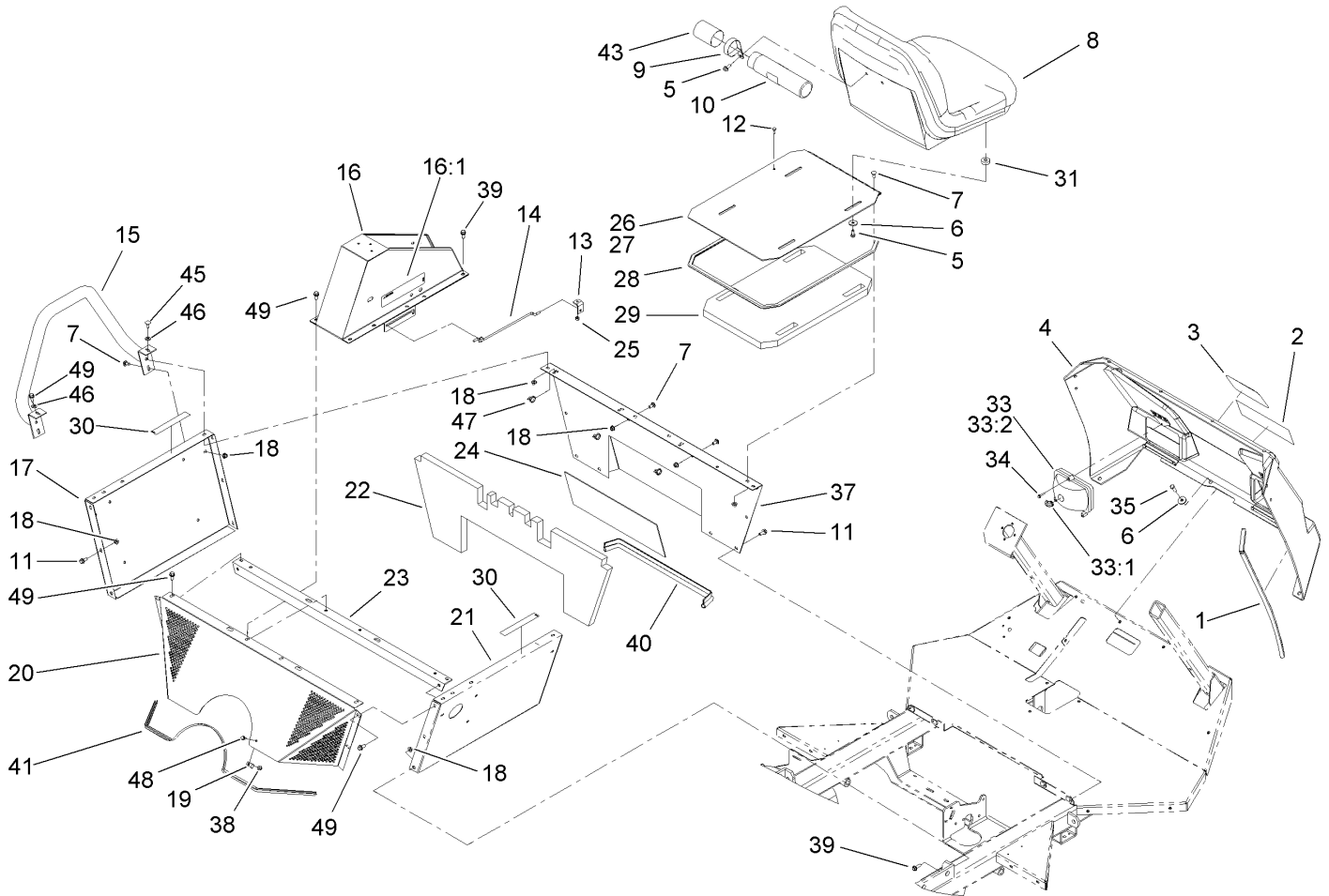
Part descriptions in this catalog may include the following abbreviations.

| | | | |
|-------------|--------------------------------|-------------|----------------------------------|
| AR. | as required | HWHTF. | hex washer head thread forming |
| ASM. | assembly | HYD. | hydraulic |
| BBC. | blade brake clutch | LH. | left hand |
| CARR. | carriage | NI. | nylon insert |
| CCW. | counter clock wise | NPTF. | national pipe thread fine |
| CW. | clockwise | PFH. | phillips flat head |
| DEG. | degrees | PPH. | phillips pan head |
| ECM. | electronic control module | PPHTF. | phillips pan head thread forming |
| EXT. | external | PRH. | phillips round head |
| FH. | flat head | PTH. | phillips truss head |
| GA. | gauge | PTO. | power-take-off |
| HD. | heavy-duty | RH. | right hand |
| HF. | hex flange | ROPS. | roll-over protection system |
| HH. | hex head | SFH. | slotted fillister head |
| HHF. | hex head flange | SHH. | slotted hex head |
| HHFTF. | hex head flange thread forming | SHWH. | slotted hex washer head |
| HJ. | hex jam | SPH. | slotted pan head |
| HLH. | hex lag head | SQH. | square head |
| HOC. | height-of-cut | SRH. | slotted round head |
| HSBH. | hex socket button head | STD. | standard |
| HSFH. | hex socket flat head | TAP. | self tapping |
| HSH. | hex socket head | TTH. | torx truss head |
| HWH. | hex washer head | | |

Footnotes

❶ Not illustrated

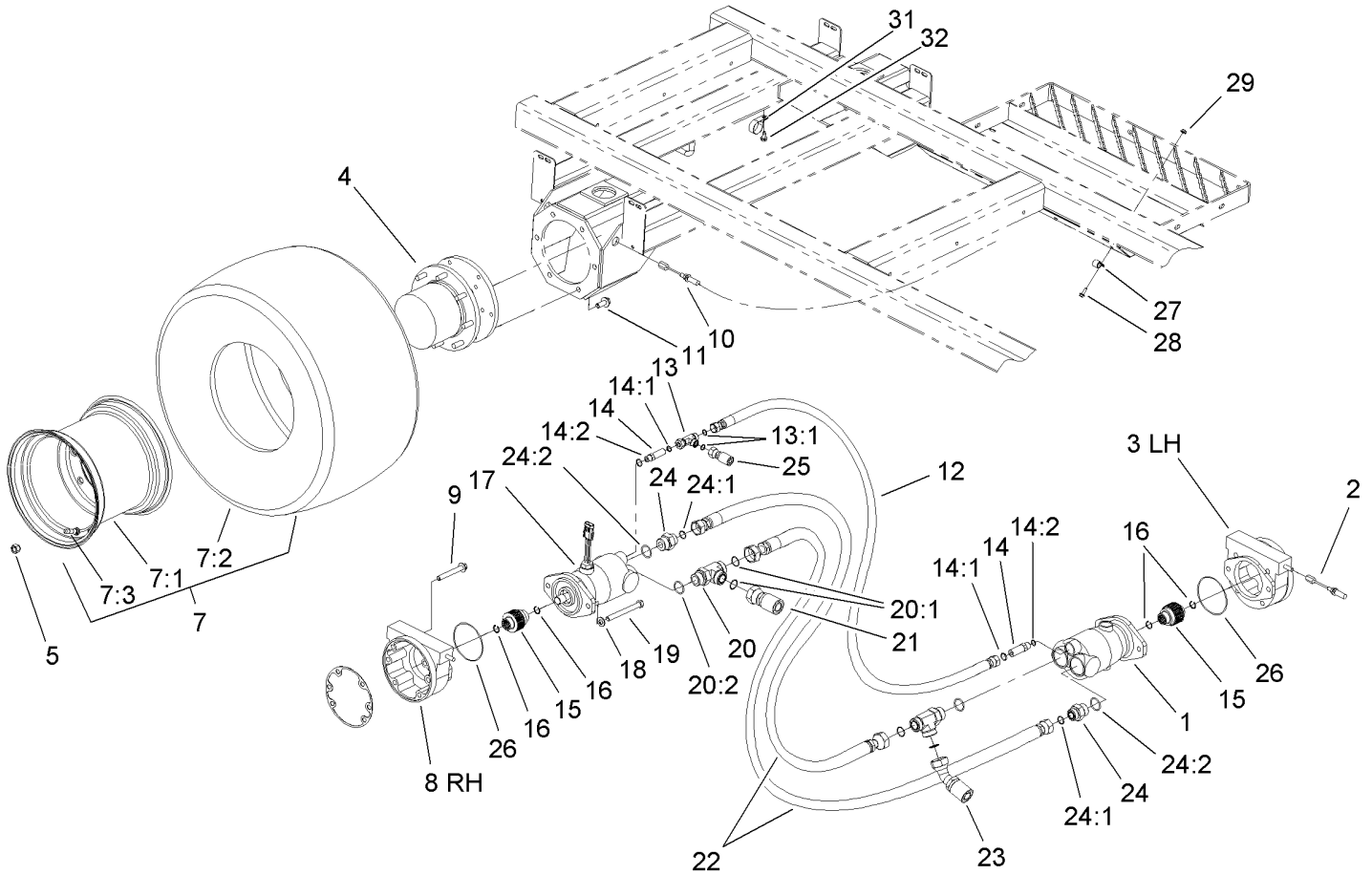
❷ Not serviced separately



Seat, Engine Cover and Front Console Assembly

| Ref | Part No. | Qty. | Description |
|------|-------------|------|---------------------------|
| 1 | 94-7086 | 2 | Trim |
| 2 | 107-8715 | 1 | Decal |
| 3 | 62-5550 | 1 | Decal |
| 4 | 94-7076 | 1 | Console |
| 5 | 33104-025 | 10 | Screw-HHF |
| 6 | 52-2861 | 14 | Washer |
| 7 | 3230-23 | 10 | Screw-CARR |
| 8 | 112-2923 | 2 | Seat ASM |
| 9 | 2412-133 | 2 | R-Clamp |
| 10 | 104-7050 | 1 | Tube-Manual |
| 11 | 3234-5 | 8 | Screw-HHF |
| 12 | 321-3 | 2 | Screw-HH |
| 13 | 94-7203 | 2 | Bracket |
| 14 | 94-7204 | 2 | Seat Prop Rod ASM |
| 15 | 94-7046-03 | 2 | Hip Restraint ASM |
| 16 | 106-5221 | 1 | Console ASM |
| 16:1 | 107-8721 | 2 | Decal-Caution |
| 17 | 108-3291-01 | 1 | Panel-Box, Seat (LH) |
| 18 | 32128-20 | 16 | Nut-HF |
| 19 | 2412-72 | 1 | Clip-Closed, Insulated |
| 20 | 106-5286-03 | 1 | Shroud-Engine |
| 21 | 106-5026-01 | 1 | Panel-Box, Seat (RH) |
| 22 | 117-5818 | 1 | Noise Barrier-Front Panel |
| 23 | 117-7940-03 | 1 | Angle - Seat Box |

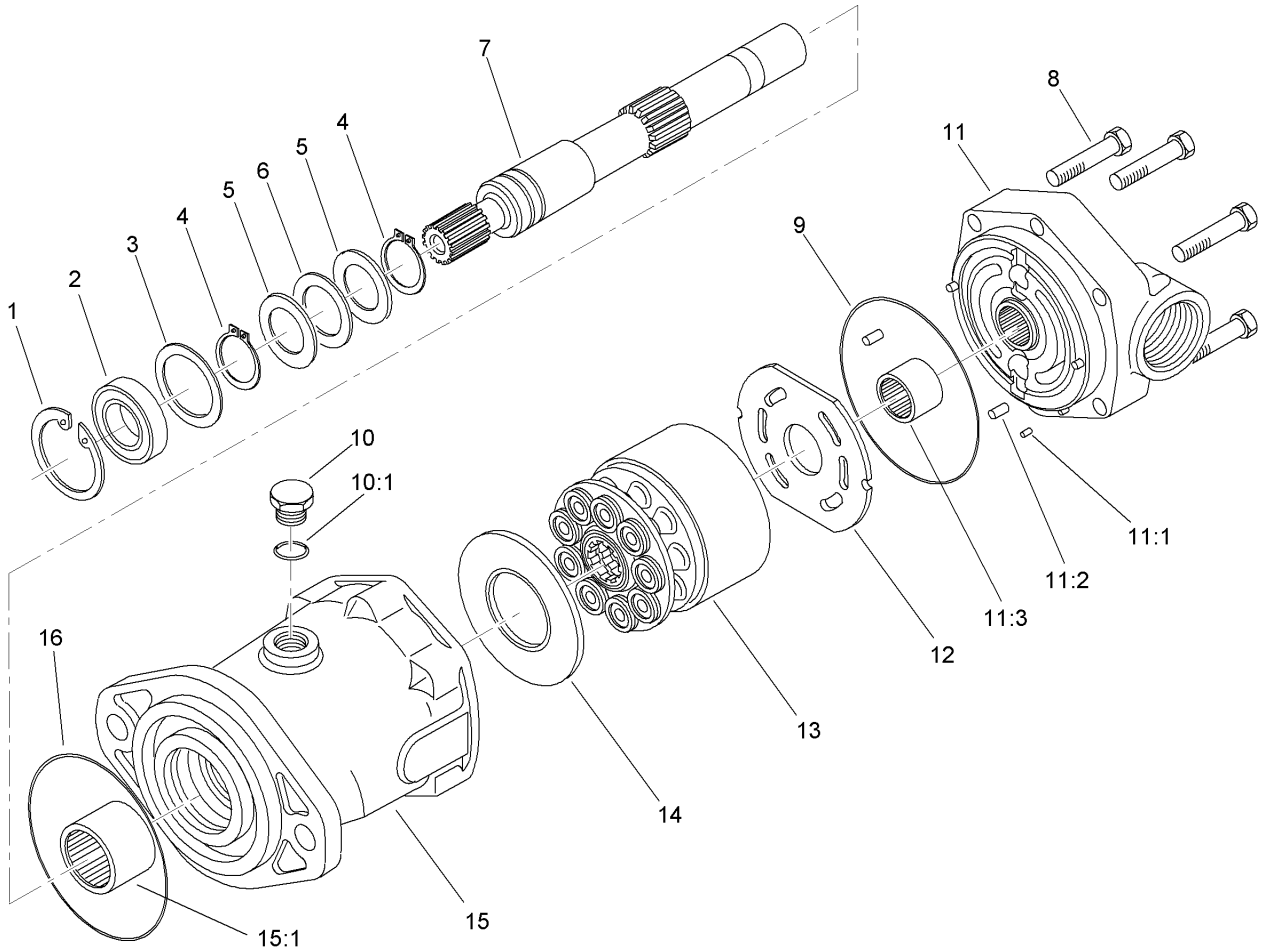
| Ref | Part No. | Qty. | Description |
|------|-------------|------|---------------------------|
| 24 | 117-5819 | 1 | Noise Barrier-Lower Front |
| 25 | 3296-42 | 2 | Nut-Lock, NI |
| 26 | 108-3289-03 | 1 | RH Seat Panel ASM |
| 27 | 108-3288-03 | 1 | LH Seat Panel ASM |
| 28 | 94-7085 | 2 | Trim |
| 29 | 108-3290 | 2 | Barrier-Noise, Seat |
| 30 | 94-3353 | 2 | Decal-Point, Pinch |
| 31 | 7-0081 | 8 | Washer-Flat |
| 33 | 87-2120 | 2 | Headlight |
| 33:1 | 95-0909 | 1 | Lamp-12 Volt |
| 33:2 | 87-6330 | 1 | Lens-Headlight |
| 34 | 32144-9 | 6 | Screw-TAP |
| 35 | 322-5 | 6 | Screw-HH |
| 37 | 106-5027-01 | 1 | Front Seat Box Panel ASM |
| 38 | 32128-33 | 1 | Nut-HF |
| 39 | 3234-17 | 6 | Screw-HHF |
| 40 | 95-2178 | 1 | Trim |
| 41 | 106-1998 | 1 | Trim |
| 43 | 104-7048 | 1 | Cap-Housing |
| 45 | 3274-104 | 2 | Screw-HSBH |
| 46 | 3256-23 | 4 | Washer-Flat |
| 47 | 3290-379 | 4 | Tie-Cable |
| 48 | 3234-13 | 1 | Screw-HHF |
| 49 | 32144-70 | 8 | Screw-HWHTF |



Rear Wheel Assembly

| Ref | Part No. | Qty. | Description |
|------|-------------|------|--------------------------|
| 1 | 93-6488 | 1 | Motor-HYD |
| 2 | 107-8656 | 1 | Cable-Brake, LH |
| 3 | 100-3069-03 | 1 | Brake ASM |
| 4 | 105-4500-03 | 2 | Planetary ASM |
| 5 | 242-50 | 16 | Nut-Lug |
| 7 | | 2 | Tire And Wheel ASM |
| 7:1 | 106-5024 | 1 | Wheel |
| 7:2 | 93-6152 | 1 | Tire |
| 7:3 | 232-27 | 1 | Stem-Valve |
| 8 | 100-3070-03 | 1 | Brake ASM |
| 9 | 33106-090 | 8 | Screw-HHF |
| 10 | 107-8657 | 1 | Cable-Brake, RH |
| 11 | 33106-030 | 12 | Screw-HHF |
| 12 | 110-5073 | 1 | Hose ASM |
| 13 | 340-104 | 1 | Tee-Fitting |
| 13:1 | 237-30 | 2 | O-Ring |
| 14 | 94-2628 | 2 | Adapter-HYD |
| 14:1 | 237-79 | 1 | O-Ring |
| 14:2 | 237-30 | 1 | O-Ring |
| 15 | 100-3046 | 2 | Shaft-Brake, Splined |
| 16 | 93-7972 | 4 | Ring-Retaining, Internal |
| 17 | 93-6489 | 1 | Motor-HYD |
| 18 | 33096-00 | 4 | Washer-Flat |
| 19 | 33116-120 | 4 | Screw-HH |

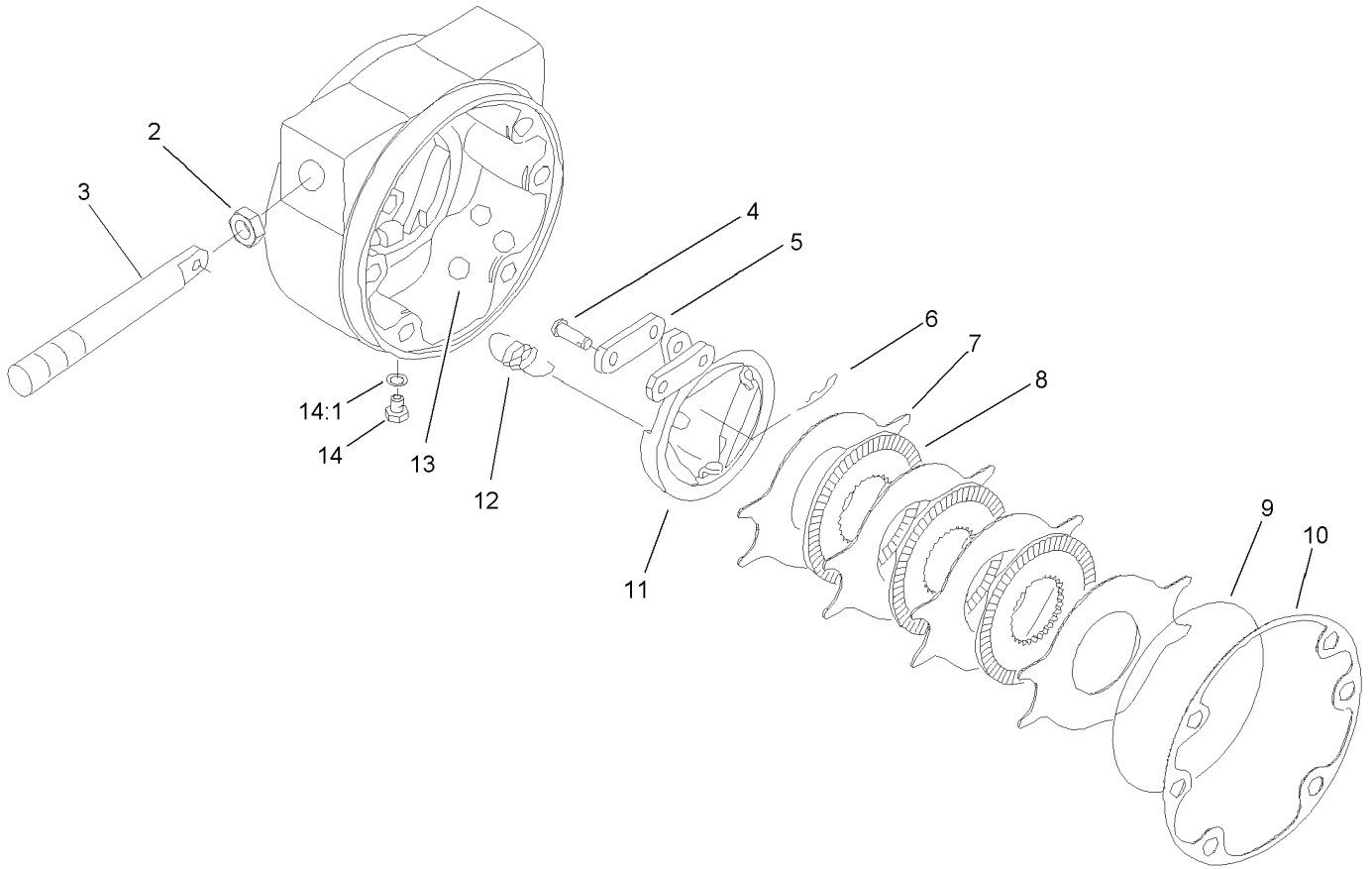
| Ref | Part No. | Qty. | Description |
|------|----------|------|------------------|
| 20 | 104-3795 | 2 | Fitting-HYD, Tee |
| 20:1 | 340-65 | 2 | O-Ring |
| 20:2 | 237-146 | 1 | O-Ring |
| 21 | 106-5034 | 1 | Hose ASM |
| 22 | 104-9187 | 2 | Hose ASM |
| 23 | 104-9196 | 1 | Hose ASM |
| 24 | 340-91 | 2 | Adapter |
| 24:1 | 237-58 | 1 | O-Ring |
| 24:2 | 237-146 | 1 | O-Ring |
| 25 | 104-9197 | 1 | Hose ASM |
| 26 | 237-166 | 2 | O-Ring |
| 27 | 2412-93 | 1 | Clamp-R |
| 28 | 3234-4 | 1 | Screw-HHF |
| 29 | 32128-33 | 1 | Nut-HF |
| 31 | 2412-74 | 1 | R-Clamp |
| 32 | 32104-32 | 1 | Screw-HWH |



Hydraulic Motor Assembly No. 93-6488

| Ref | Part No. | Qty. | Description |
|------|----------|------|----------------------|
| 1 | 76-7010 | 1 | Ring-Retaining |
| 2 | 105-3331 | 1 | Seal-Shaft |
| 3 | 60-6240 | 1 | Washer |
| 4 | 76-7000 | 2 | Ring-Retaining |
| 5 | 76-6950 | 2 | Race-Thrust |
| 6 | 76-6960 | 1 | Bearing-Thrust |
| 7 | 94-3004 | 1 | Shaft-Drive, Splined |
| 8 | 94-3002 | 6 | Capscrew |
| 9 | 76-6980 | 1 | O-Ring |
| 10 | 94-3009 | 1 | Plug |
| 10:1 | | 1 | O-Ring |
| 11 | 95-2081 | 1 | Back Plate ASM |
| 11:1 | | 1 | Pin-Dowel |
| 11:2 | | 3 | Pin-Dowel |
| 11:3 | | 1 | Bearing-Needle |
| 12 | 94-3003 | 1 | Plate-Valve |
| 13 | 76-6910 | 1 | Rotating Kit |
| 14 | 76-6970 | 1 | Insert-Plate, Cam |
| 15 | 95-2082 | 1 | Housing |
| 15:1 | | 1 | Bearing-Needle |
| 16 | 237-166 | 1 | O-Ring |

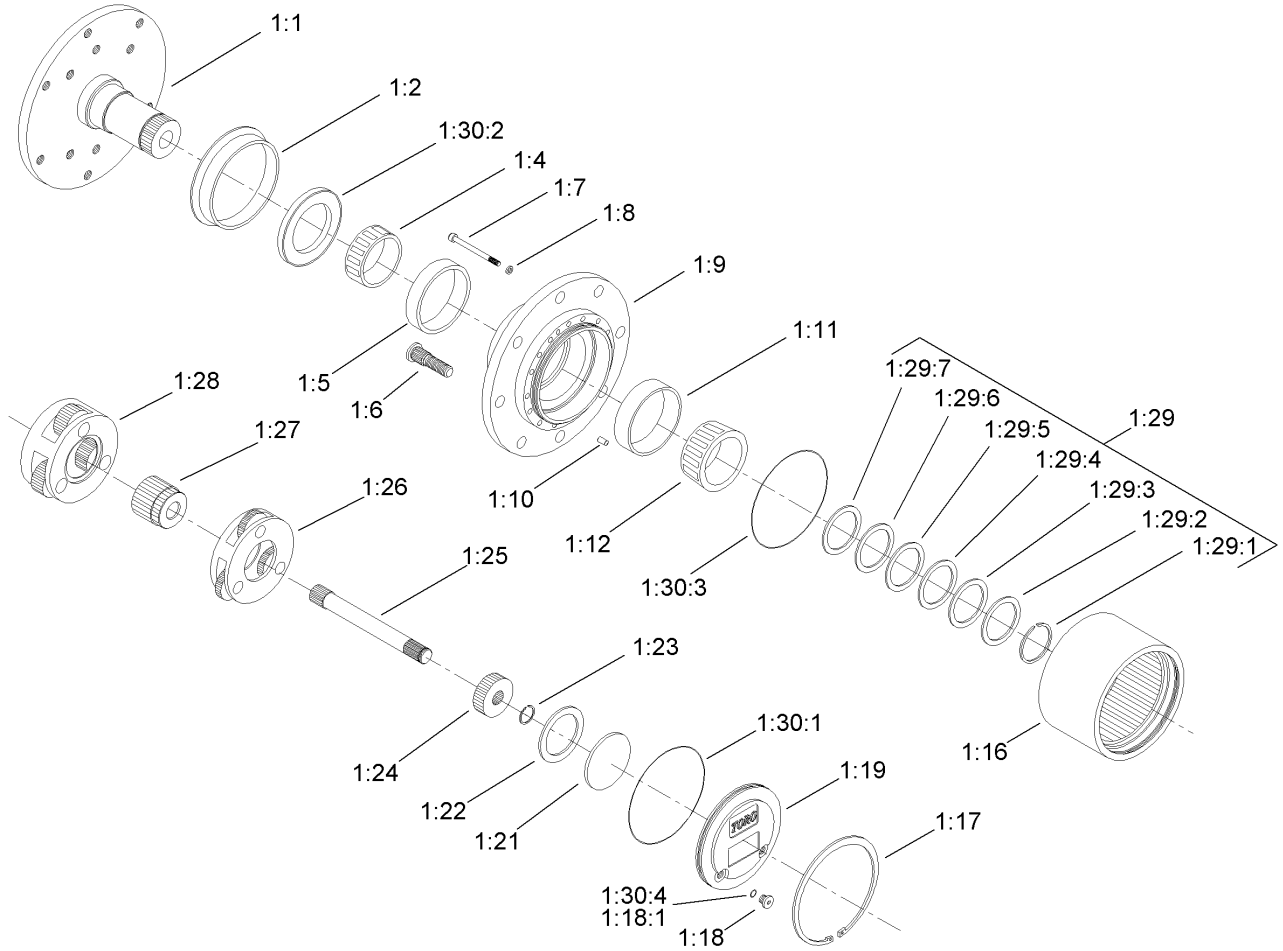
| | | | |
|--|--|--|--|
| | | | |
| | | | |
| | | | |
| | | | |



Brake Assembly No. 100-3069-03

| Ref | Part No. | Qty. | Description |
|------|----------|------|-------------------|
| 2 | 93-7977 | 1 | Seal |
| 3 | 93-7978 | 1 | Rod-Pull |
| 4 | 93-7983 | 2 | Pin-Clevis |
| 5 | 93-7980 | 2 | Link |
| 6 | 93-7979 | 2 | Pin-Hitch |
| 7 | 93-7986 | 4 | Disc-Stationary |
| 8 | 104-4278 | 3 | Disc-Rotating |
| 9 | 93-7976 | 1 | Ring-Retaining |
| 10 | 93-7984 | 1 | Gasket |
| 11 | 104-4280 | 1 | Actuator-Rotating |
| 12 | 93-7987 | 3 | Spring-Extension |
| 13 | 93-7985 | 3 | Ball |
| 14 | 353-990 | 2 | Plug |
| 14:1 | 237-78 | 1 | O-Ring |

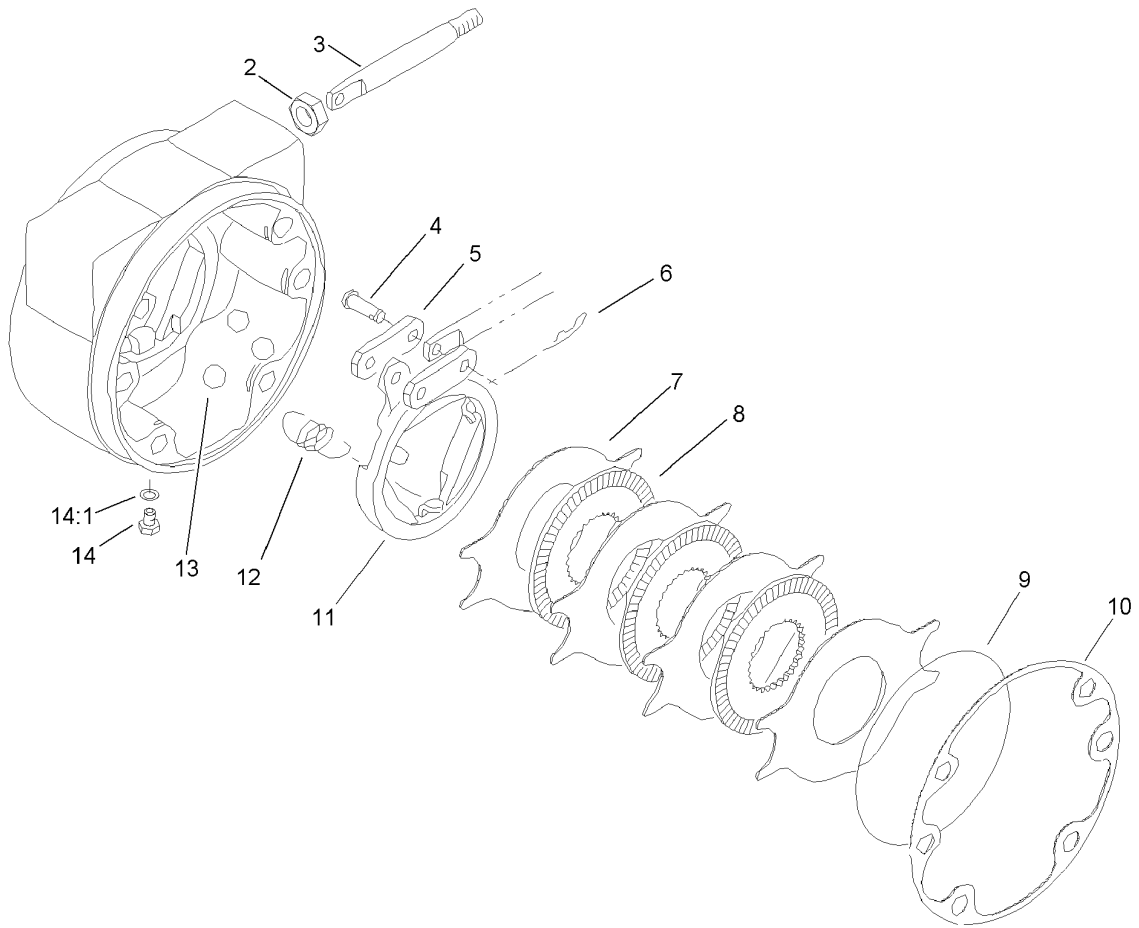
| | | | |
|--|--|--|--|
| | | | |
|--|--|--|--|



Planetary Assembly No. 105-4500-03

| Ref | Part No. | Qty. | Description |
|--------|----------|------|-----------------------|
| ② 1:1 | | 1 | Spindle |
| 1:2 | 105-8122 | 1 | Seal-Boot |
| 1:4 | 105-8120 | 1 | Bearing-Cone |
| 1:5 | 105-8119 | 1 | Bearing-Cup |
| 1:6 | 105-8124 | 8 | Stud-Wheel |
| 1:7 | 105-8125 | 16 | Bolt-Head, Socket |
| 1:8 | 3253-18 | 16 | Washer-Lock |
| ② 1:9 | | 1 | Housing |
| 1:10 | 105-8121 | 1 | Pin-Dowel |
| 1:11 | 105-8117 | 1 | Bearing-Cup |
| 1:12 | 105-8118 | 1 | Bearing-Cone |
| 1:16 | 105-8113 | 1 | Gear-Ring |
| 1:17 | 105-8132 | 1 | Ring-Retaining |
| 1:18 | 353-990 | 2 | Plug |
| 1:18:1 | 237-78 | 1 | O-Ring |
| 1:19 | 105-8138 | 1 | Cap-End |
| 1:21 | 105-8133 | 1 | Plug-Thrust |
| 1:22 | 105-8123 | 1 | Washer-Thrust |
| 1:23 | 105-8131 | 1 | Ring-Retaining |
| 1:24 | 105-8114 | 1 | Gear-Primary |
| 1:25 | 105-8115 | 1 | Shaft-Drive |
| 1:26 | 105-8129 | 1 | Primary Carrier ASM |
| 1:27 | 105-8139 | 1 | Gear-Secondary |
| 1:28 | 105-8130 | 1 | Secondary Carrier ASM |

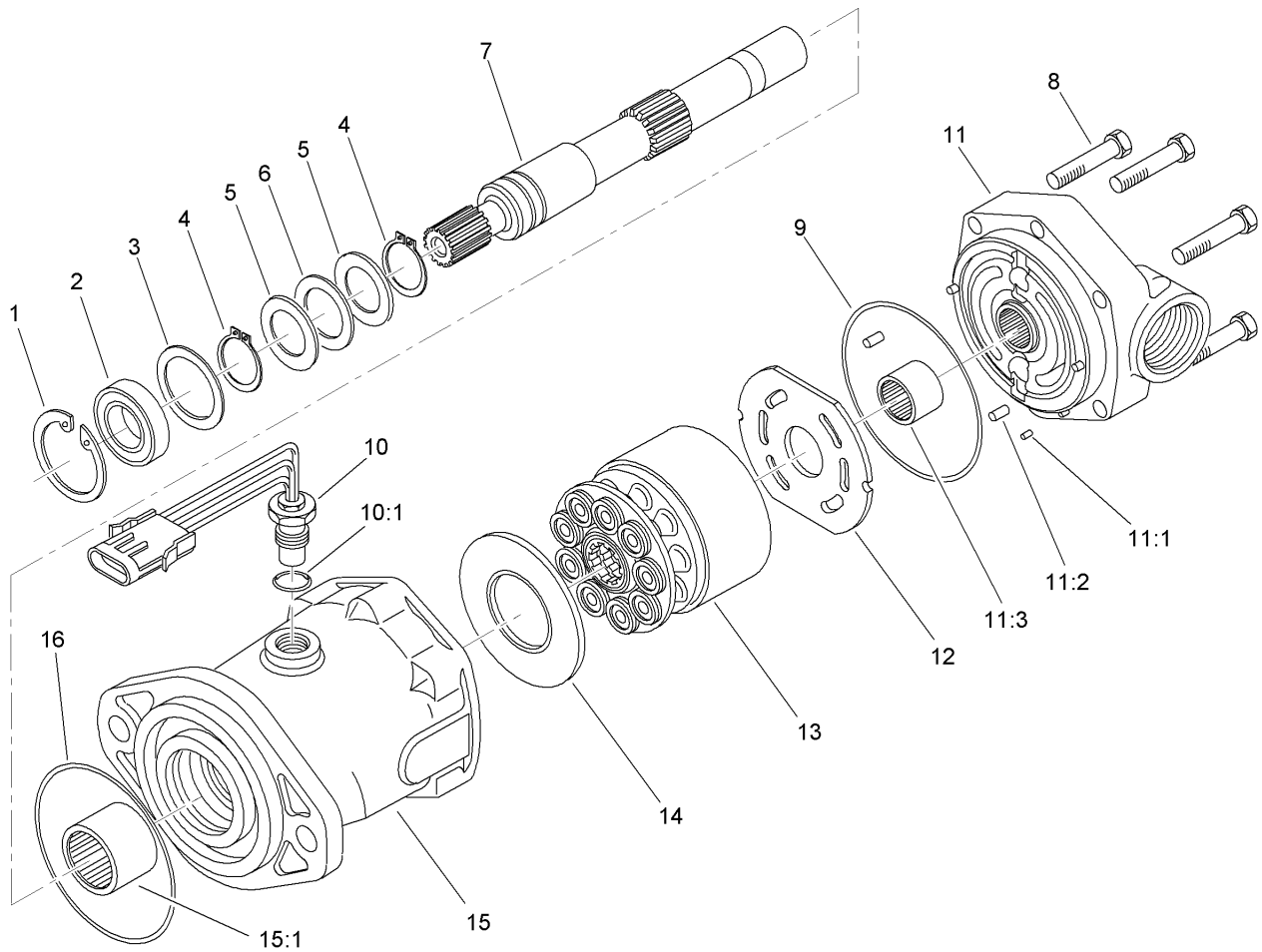
| Ref | Part No. | Qty. | Description |
|----------|----------|------|---------------------|
| 1:29 | 105-8136 | 1 | Shim Kit |
| ② 1:29:1 | | 1 | Ring-Snap |
| ② 1:29:2 | | 1 | Shim-Bearing, 2.9Mm |
| ② 1:29:3 | | 1 | Shim-Bearing, 2.8Mm |
| ② 1:29:4 | | 1 | Shim-Bearing, 2.7Mm |
| ② 1:29:5 | | 1 | Shim-Bearing, 2.6Mm |
| ② 1:29:6 | | 1 | Shim-Bearing, 2.5Mm |
| ② 1:29:7 | | 1 | Shim-Bearing, 2.4Mm |
| ① 1:30 | 105-8137 | 1 | Seal Kit |
| ② 1:30:1 | | 1 | O Ring-Flange Cap |
| ② 1:30:2 | | 1 | Seal-Oil |
| ② 1:30:3 | | 2 | O Ring-End Cap |
| 1:30:4 | 237-78 | 2 | O-Ring |



Brake Assembly No. 100-3070-03

| Ref | Part No. | Qty. | Description |
|------|----------|------|-------------------|
| 2 | 93-7977 | 1 | Seal |
| 3 | 93-7978 | 1 | Rod-Pull |
| 4 | 93-7983 | 2 | Pin-Clevis |
| 5 | 93-7980 | 2 | Link |
| 6 | 93-7979 | 2 | Pin-Hitch |
| 7 | 93-7986 | 4 | Disc-Stationary |
| 8 | 104-4278 | 3 | Disc-Rotating |
| 9 | 93-7976 | 1 | Ring-Retaining |
| 10 | 93-7984 | 1 | Gasket |
| 11 | 104-4279 | 1 | Actuator-Rotating |
| 12 | 93-7987 | 3 | Spring-Extension |
| 13 | 93-7985 | 3 | Ball |
| 14 | 353-990 | 2 | Plug |
| 14:1 | 237-78 | 1 | O-Ring |

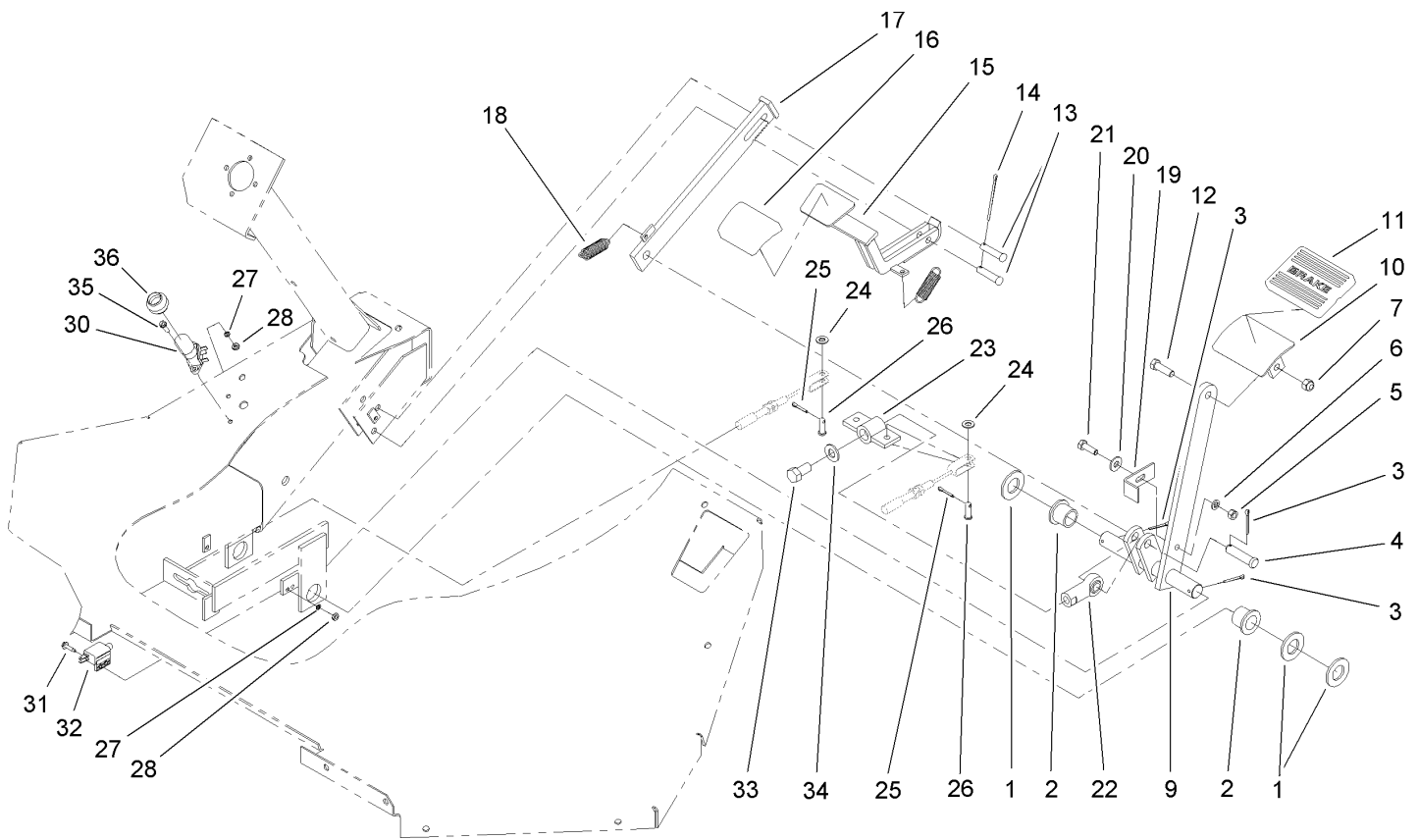
| | | | |
|--|--|--|--|
| | | | |
|--|--|--|--|



Hydraulic Motor Assembly No. 93-6489

| Ref | Part No. | Qty. | Description |
|-------|----------|------|----------------------|
| 1 | 76-7010 | 1 | Ring-Retaining |
| 2 | 105-3331 | 1 | Seal-Shaft |
| 3 | 60-6240 | 1 | Washer |
| 4 | 76-7000 | 2 | Ring-Retaining |
| 5 | 76-6950 | 2 | Race-Thrust |
| 6 | 76-6960 | 1 | Bearing-Thrust |
| 7 | 94-3004 | 1 | Shaft-Drive, Splined |
| 8 | 94-3002 | 6 | Capscrew |
| 9 | 76-6980 | 1 | O-Ring |
| 10 | 94-3010 | 1 | Sensor-Speed, Pickup |
| ②10:1 | | 1 | O-Ring |
| 11 | 95-2081 | 1 | Back Plate ASM |
| ②11:1 | | 1 | Pin-Dowel |
| ②11:2 | | 3 | Pin-Dowel |
| ②11:3 | | 1 | Bearing-Needle |
| 12 | 94-3003 | 1 | Plate-Valve |
| 13 | 76-6910 | 1 | Rotating Kit |
| 14 | 76-6970 | 1 | Insert-Plate, Cam |
| 15 | 95-2083 | 1 | Housing |
| ②15:1 | | 1 | Bearing-Needle |
| 16 | 237-166 | 1 | O-Ring |

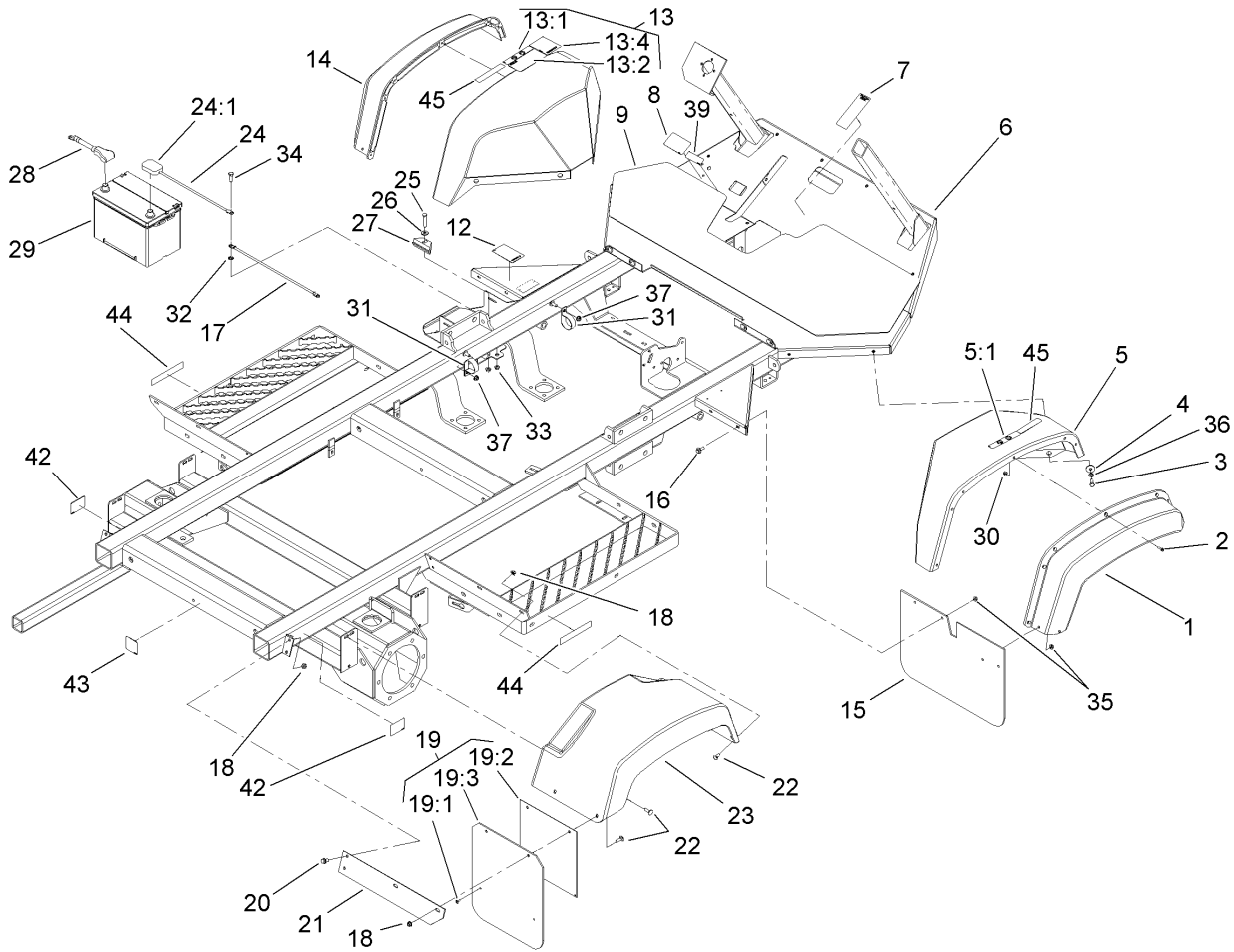
| | | | |
|--|--|--|--|
| | | | |
| | | | |
| | | | |
| | | | |



Brake and Pedal Assembly

| Ref | Part No. | Qty. | Description |
|-----|-------------|------|---------------------|
| 1 | 3256-29 | 3 | Washer-Flat |
| 2 | 94-7164 | 2 | Bearing |
| 3 | 3272-12 | 3 | Pin-Cotter |
| 4 | 42195 | 1 | Pin-Clevis |
| 5 | 3217-6 | 1 | Nut-Hex |
| 6 | 3253-4 | 1 | Washer-Lock |
| 7 | 3296-39 | 1 | Nut-Lock, NI |
| 9 | 93-6589 | 1 | Brake Shaft ASM |
| 10 | 100-8422-03 | 1 | Pedal Bracket ASM |
| 11 | 7-3900 | 1 | Pad-Brake |
| 12 | 323-7 | 1 | Screw-HH |
| 13 | 283-15 | 2 | Pin-Clevis |
| 14 | 3272-53 | 1 | Pin-Cotter |
| 15 | 93-6599-03 | 1 | Catch ASM |
| 16 | 42719 | 1 | Pad-Pedal |
| 17 | 93-6598-03 | 1 | Brake Strap ASM |
| 18 | 92-0417 | 2 | Spring-EXT |
| 19 | 93-6592-03 | 1 | Bracket |
| 20 | 3256-3 | 1 | Washer-Flat |
| 21 | 322-5 | 1 | Screw-HH |
| 22 | 522087 | 1 | Rod-End |
| 23 | 93-6595 | 1 | Brake Equalizer ASM |
| 24 | 3256-23 | 2 | Washer-Flat |
| 25 | 3272-10 | 2 | Pin-Cotter |

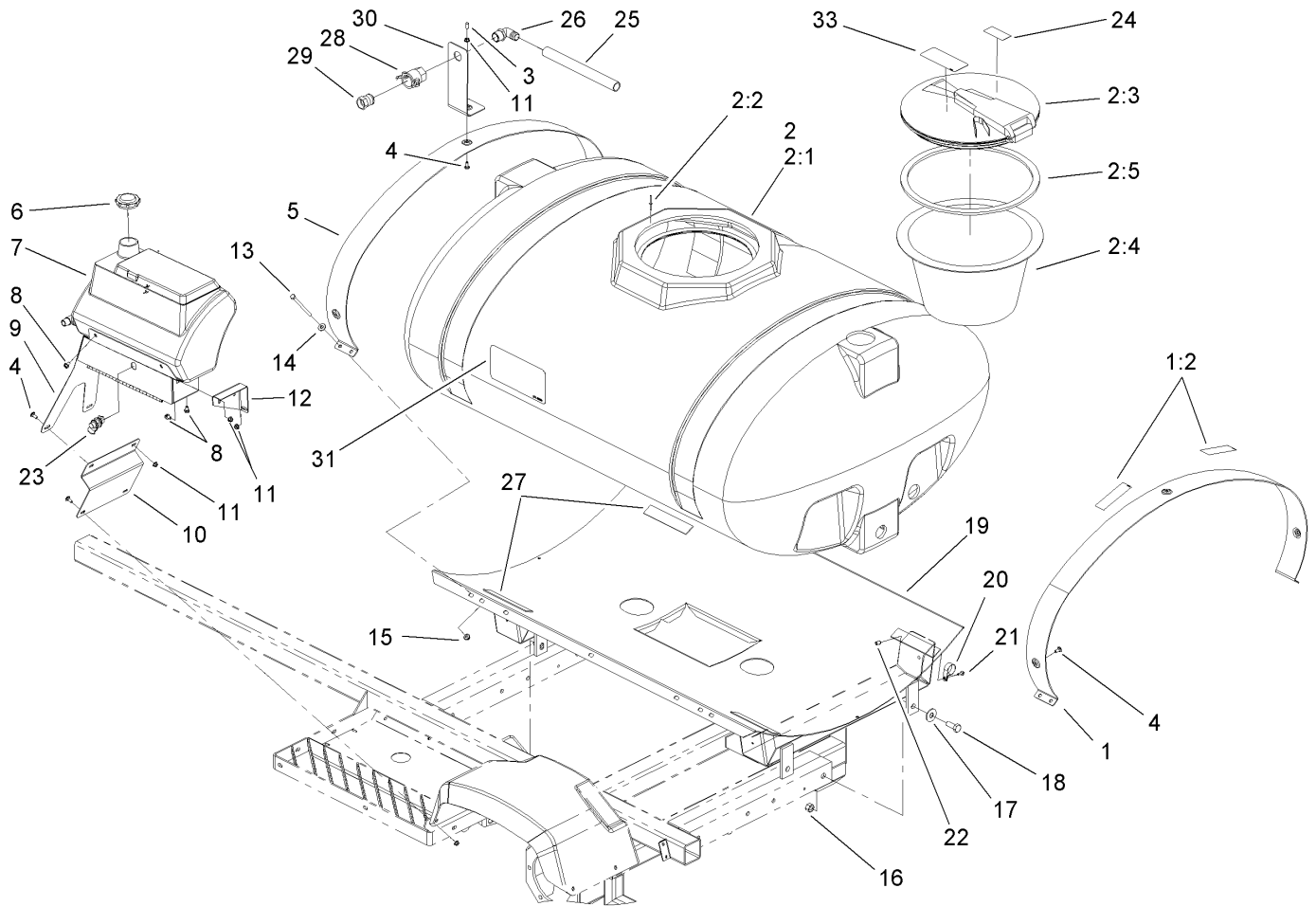
| Ref | Part No. | Qty. | Description |
|-----|----------|------|-----------------------|
| 26 | 283-58 | 2 | Pin-Clevis |
| 27 | 3253-17 | 4 | Washer-Lock |
| 28 | 3217-26 | 4 | Nut-Hex |
| 30 | 110-5189 | 1 | Switch-Floor |
| 31 | 32105-13 | 2 | Screw-HWH |
| 32 | 1-513051 | 1 | Switch-Open, Normally |
| 33 | 3213-1 | 1 | Screw-HH |
| 34 | 3256-26 | 1 | Washer-Flat |
| 35 | 32105-13 | 2 | Screw-HWH |
| 36 | 110-5130 | 1 | Bellow-Switch |



Frame, Fender and Battery Assembly

| Ref | Part No. | Qty. | Description |
|------|-------------|------|-----------------------------|
| 1 | 94-7074 | 1 | Flare-Fender, RH |
| 2 | 32105-13 | 12 | Screw-HWH |
| 3 | 322-3 | 8 | Screw-HH |
| 4 | 52-2861 | 8 | Washer |
| 5 | 94-8532 | 1 | RH Fender ASM |
| 5:1 | 93-6687 | 1 | Decal-No Step |
| 6 | 106-5262-03 | 1 | Frame ASM |
| 7 | 107-8724 | 1 | Decal-Traction |
| 8 | 100-8619 | 1 | Decal-Switch, Boom |
| 9 | 104-8863 | 1 | Tread-Floor |
| 12 | 107-8720 | 1 | Decal-Warning, Safety Start |
| 13 | 94-8531 | 1 | LH Fender ASM |
| 13:1 | 93-6687 | 1 | Decal-No Step |
| 13:2 | 107-8723 | 1 | Decal-Warning, Safety |
| 13:4 | 107-8725 | 1 | Decal-Warning, Braking |
| 14 | 94-7075 | 1 | Flare-Fender, LH |
| 15 | 94-7071 | 2 | Guard-Splash |
| 16 | 46-6811 | 8 | Screw-HWH |
| 17 | 42617 | 1 | Cable-Ground |
| 18 | 32128-20 | 17 | Nut-HF |
| 19 | 94-7127 | 2 | Splash Guard ASM |
| 19:1 | 114439 | 2 | Rivet-Pop |
| 19:2 | 94-7128-03 | 1 | Plate-Guard, Splash |
| 19:3 | 94-7129 | 1 | Guard-Splash |

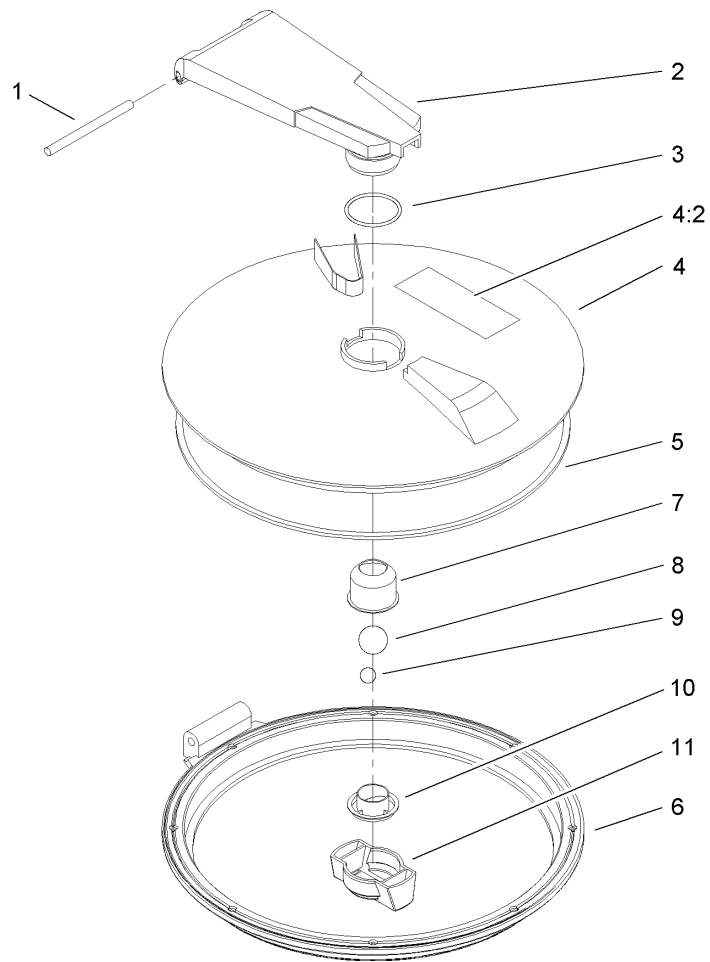
| Ref | Part No. | Qty. | Description |
|------|------------|------|-----------------------------------|
| 20 | 3234-5 | 4 | Screw-HHF |
| 21 | 93-6528-03 | 2 | Strap-Mount, Fender |
| 22 | 3230-1 | 12 | Bolt-CARR |
| 23 | 93-6498 | 2 | Fender-Rear |
| 24 | 99060 | 1 | Cable-Ground |
| 24:1 | 106-4915 | 1 | Cap-Protective, Blue |
| 25 | 322-9 | 1 | Screw-HH |
| 26 | 3256-3 | 1 | Washer-Flat |
| 27 | 66-2490 | 1 | Retainer-Battery |
| 28 | 105-0114 | 1 | Cable-Battery, Positive |
| 29 | 106-5190 | 1 | Battery |
| 30 | 3290-148 | 12 | Nut-HF |
| 31 | 2412-96 | 2 | Clamp-R |
| 32 | 3255-9 | 1 | Washer-Lock |
| 33 | 32128-43 | 1 | Nut-Flange |
| 34 | 323-6 | 1 | Screw-HH |
| 35 | 32128-33 | 8 | Nut-HF |
| 36 | 3253-4 | 8 | Washer-Lock |
| 37 | 104-8300 | 2 | Nut-Flange, NI |
| 39 | 107-8722 | 1 | Decal-Instructions, Parking Brake |
| 42 | 107-8667 | 2 | Decal-Jacking |
| 43 | 107-8666 | 1 | Decal-Tie-Down / Towing |
| 44 | 107-8732 | 2 | Decal-Torque (Ce) |
| 45 | 107-8731 | 2 | Decal-Torque (Ce) |



Fresh Water and Spray Tank Assembly

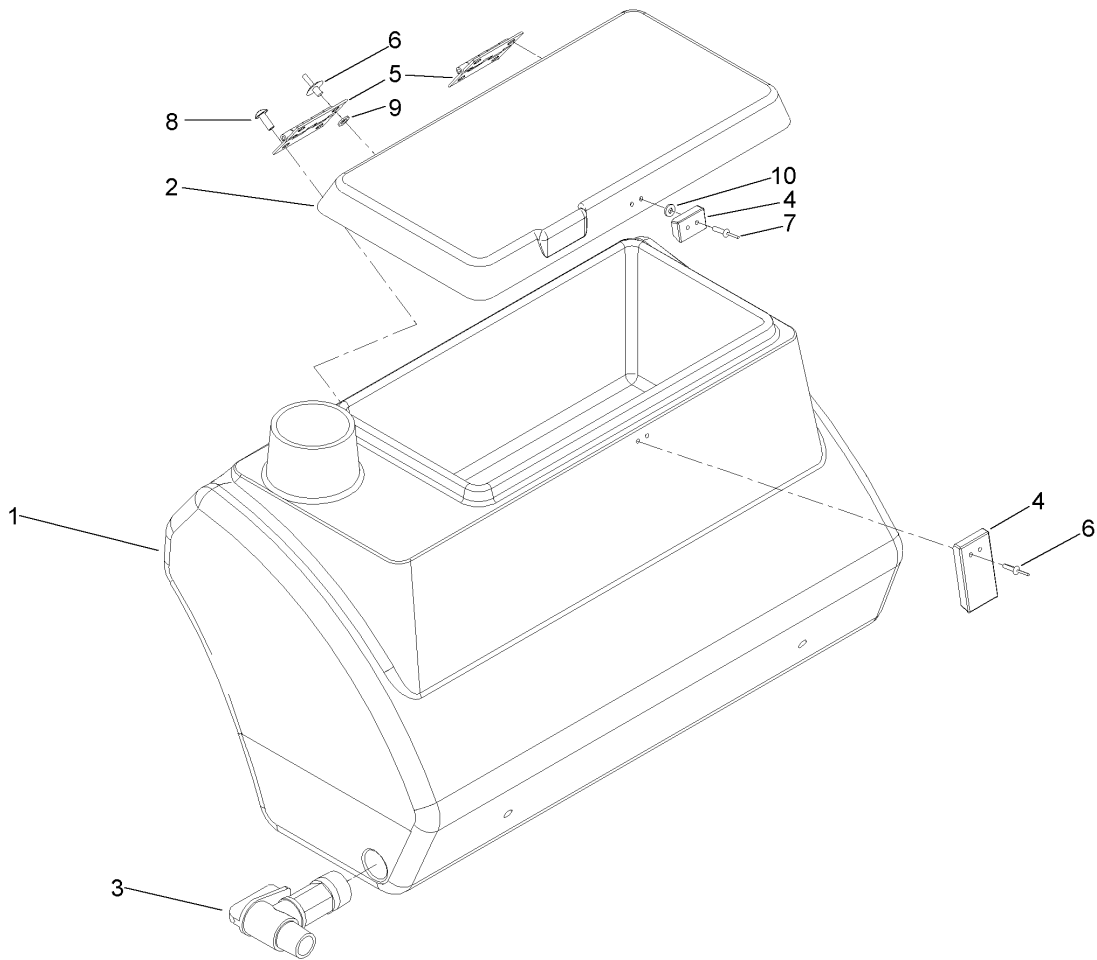
| Ref | Part No. | Qty. | Description |
|-----|-------------|------|-------------------------------|
| 1 | 106-4966 | 1 | Tank Band ASM |
| 1:2 | 106-5016 | 2 | Decal-Caution, Electric Shock |
| 2 | 112-7854 | 1 | 300 Gallon Tanks ASM |
| 2:1 | 112-7833 | 1 | Tank-300 Gallon |
| 2:2 | 93-0833 | 8 | Rivet |
| 2:3 | | 1 | Screw Type Tank Lid ASM |
| 2:4 | 104-9051 | 1 | Basket-Strainer |
| 2:5 | 106-4991 | 1 | Seal-Lid |
| 3 | 42452 | 1 | Cap-Protective |
| 4 | 3230-2 | 4 | Bolt-CARR |
| 5 | 104-9126-03 | 1 | Band-Mounting, Tank |
| 6 | 100-7008 | 1 | Cap-Tank, Fresh Water |
| 7 | 100-8438 | 1 | Fresh Water Tank ASM |
| 8 | 3234-28 | 6 | Screw-HHF |
| 9 | 104-8912-03 | 1 | Tank Bracket ASM |
| 10 | 104-9125-03 | 1 | Bracket-Glove Box |
| 11 | 32128-20 | 7 | Nut-HF |
| 12 | 104-9124-03 | 1 | Mount-Tank, Plate |
| 13 | 41809 | 8 | Screw-HH |
| 14 | 3256-4 | 8 | Washer-Flat |
| 15 | 104-8301 | 8 | Nut-Flange, NI |
| 16 | 3217-11 | 2 | Nut-Hex |
| 17 | 3256-7 | 2 | Washer-Flat |
| 18 | 327-4 | 2 | Screw-HH |

| Ref | Part No. | Qty. | Description |
|-----|-------------|------|-------------------------|
| 19 | 106-5288-03 | 1 | Tank Saddle ASM |
| 20 | 2412-74 | 1 | R-Clamp |
| 21 | 3234-4 | 1 | Screw-HHF |
| 22 | 32148-6 | 1 | Insert-Nut |
| 23 | 104-8914 | 1 | Latch-Box, Storage |
| 24 | 106-1355 | 1 | Decal-No Tank Entry |
| 25 | 104-9075 | 1 | Hose-Siphon, Anti |
| 26 | 41140 | 1 | Elbow |
| 27 | 104-7102 | 4 | Pad-Battery |
| 28 | 100-6779 | 1 | Coupling-Female |
| 29 | 41316 | 1 | Adapter-Quick |
| 30 | 104-9122-03 | 1 | Bracket-Siphon, Anti |
| 31 | 104-9166 | 2 | Decal-Tank, 300 Gallon |
| 33 | 93-0688 | 1 | Decal-Warning, Chemical |



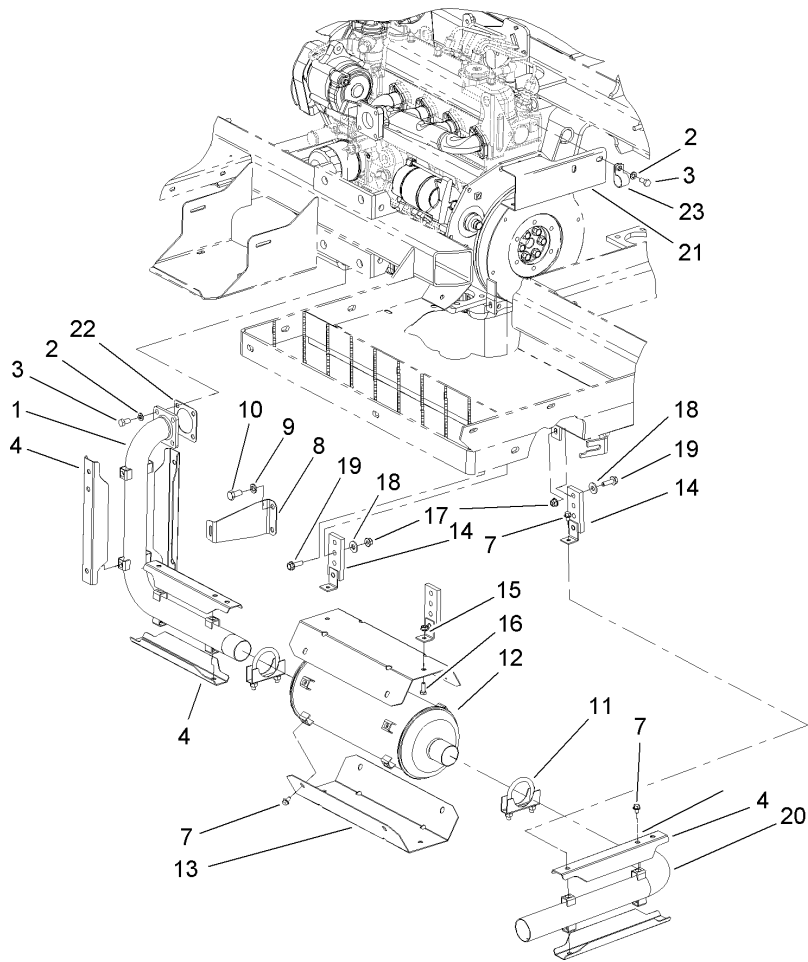
Lid Assembly

| Ref | Part No. | Qty. | Description | | | | |
|-----|----------|------|-------------------------|--|--|--|--|
| 1 | 106-5000 | 1 | Pin-Pivot | | | | |
| 2 | 106-5001 | 1 | Arm | | | | |
| 3 | 106-5002 | 1 | O-Ring | | | | |
| 4 | 106-1369 | 1 | Lid | | | | |
| 4:2 | 93-0688 | 1 | Decal-Warning, Chemical | | | | |
| 5 | 106-5004 | 1 | Seal-Lid | | | | |
| 6 | 106-5005 | 1 | Ring | | | | |
| 7 | 106-5006 | 1 | Cup-Vent | | | | |
| 8 | 106-5007 | 1 | Ball-Floating | | | | |
| 9 | 106-5008 | 1 | Ball-Weight | | | | |
| 10 | 106-5009 | 1 | Holder-Ball | | | | |
| 11 | 106-5010 | 1 | Nut-Wing | | | | |



Fresh Water Tank Assembly No. 100-8438

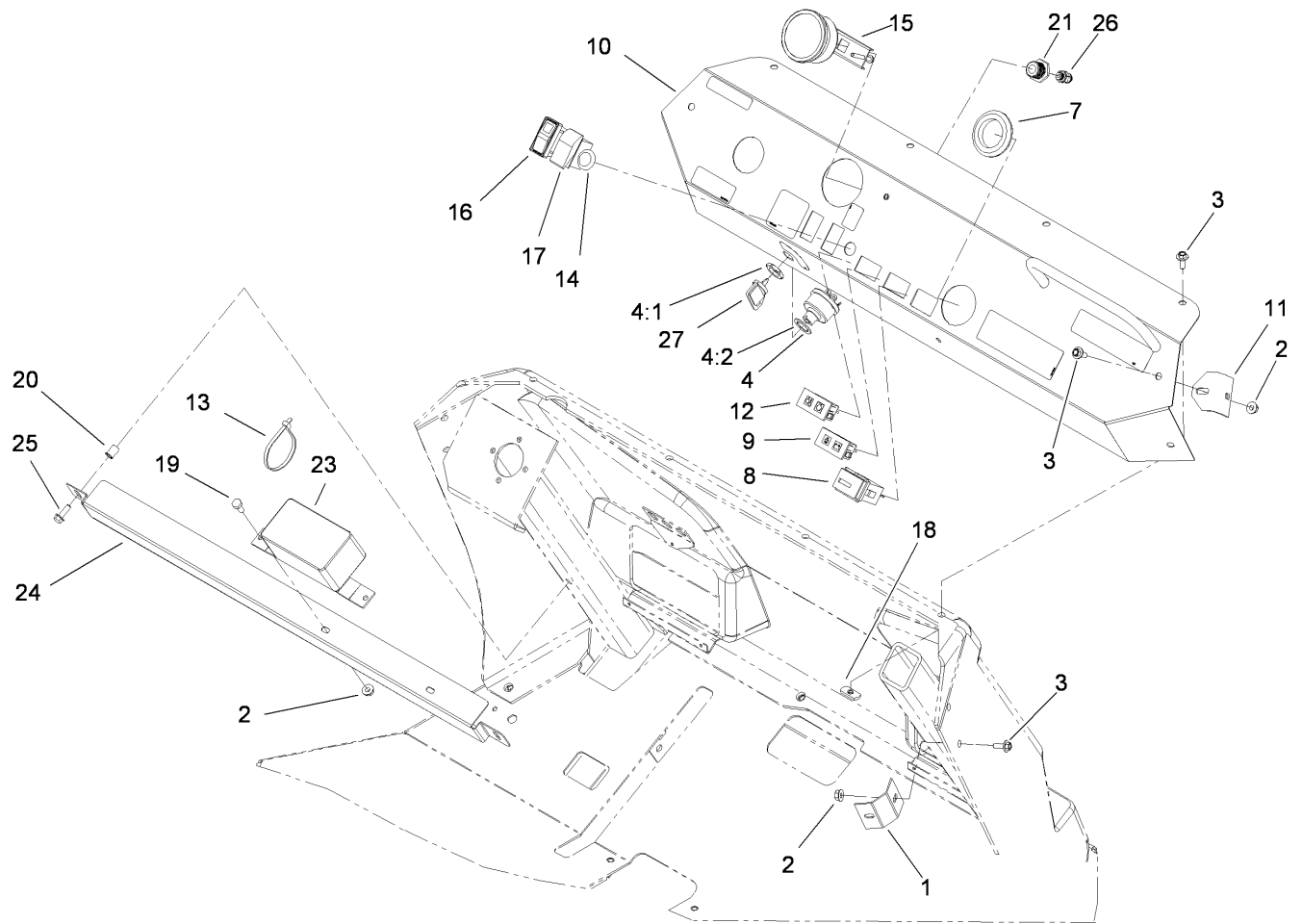
| Ref | Part No. | Qty. | Description |
|-----|----------|------|-------------------|
| 1 | | 1 | Tank-Water, Fresh |
| 2 | 100-8397 | 1 | Cover-Tank |
| 3 | 100-7011 | 1 | Spigot-90 DEG |
| 4 | 100-7009 | 1 | Latch-Draw |
| 5 | 100-7010 | 2 | Hinge |
| 6 | 100-7062 | 4 | Rivet |
| 7 | 100-7063 | 4 | Rivet |
| 8 | 100-7064 | 4 | Screw |
| 9 | 100-7065 | 4 | Washer |
| 10 | 100-7066 | 2 | Washer |



Exhaust Assembly

| Ref | Part No. | Qty. | Description |
|-----|-----------|------|-----------------------|
| 1 | 106-5263 | 1 | Pipe-Exhaust |
| 2 | 3253-4 | 6 | Washer-Lock |
| 3 | 33114-016 | 6 | Screw-HH |
| 4 | 106-5278 | 6 | Shield-Heat, Exhaust |
| 7 | 81-1280 | 20 | Screw-HHF |
| 8 | 107-8680 | 1 | Bracket-Pipe, Exhaust |
| 9 | 48-9590 | 2 | Washer-Lock |
| 10 | 63-7790 | 2 | Screw-Cap |
| 11 | 18-2130 | 2 | Clamp ASM |
| 12 | 106-5276 | 1 | Muffler |
| 13 | 106-5275 | 2 | Shield-Heat, Muffler |
| 14 | 106-5282 | 3 | Hanger-Tailpipe |
| 15 | 32128-33 | 2 | Nut-HF |
| 16 | 321-4 | 2 | Screw-HH |
| 17 | 104-8300 | 3 | Nut-Flange, NI |
| 18 | 3256-56 | 3 | Washer-Flat |
| 19 | 3234-17 | 3 | Screw-HHF |
| 20 | 106-5281 | 1 | Tailpipe |
| 21 | 107-8655 | 1 | Shield-Heat |
| 22 | 99-8343 | 1 | Gasket-Muffler |
| 23 | 2412-41 | 1 | Clamp |

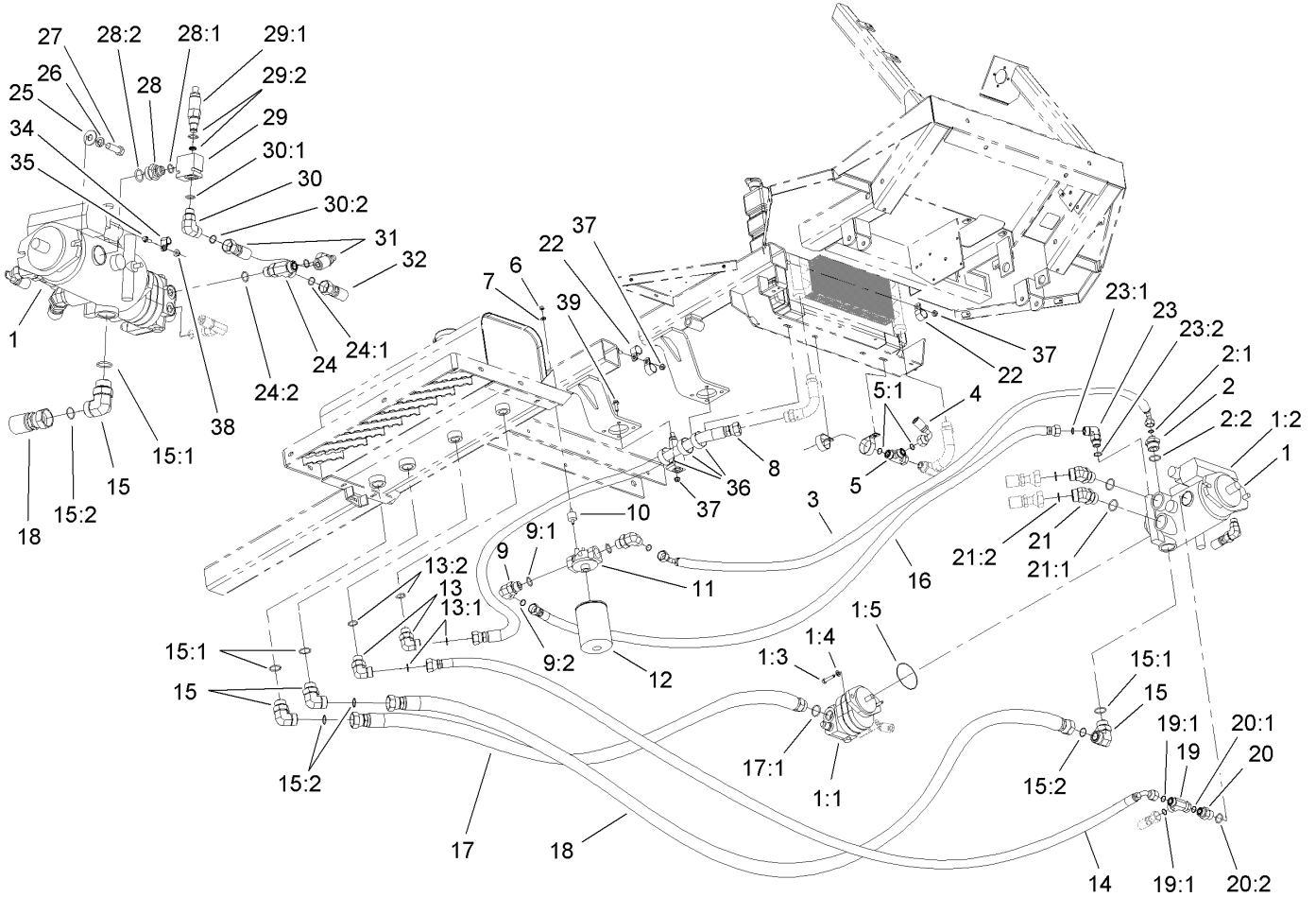
| | | | |
|--|--|--|--|
| | | | |
| | | | |
| | | | |
| | | | |



Dash and Instrument Assembly

| Ref | Part No. | Qty. | Description |
|-----|-------------|------|--------------------------|
| 1 | 94-7140-03 | 2 | Clip-Dash, Lower |
| 2 | 32128-33 | 10 | Nut-HF |
| 3 | 46-6811 | 12 | Screw-HWH |
| 4 | 104-2541 | 1 | Switch ASM |
| 4:1 | 218-461 | 1 | Nut-HH |
| 4:2 | 3254-5 | 1 | Washer-Tooth |
| 7 | 40764 | 1 | Grommet |
| 8 | 1-513374 | 1 | Meter-Hour |
| 9 | 107-8718 | 1 | Cluster-Light |
| 10 | 106-5019 | 1 | Dash Panel ASM |
| 11 | 94-7139-03 | 2 | Clip-Dash, Upper |
| 12 | 107-8719 | 1 | Cluster-Light |
| 13 | 3290-379 | 23 | Tie-Cable |
| 14 | 94-7290 | 2 | Plug-Hole |
| 15 | 110-5079 | 1 | Gauge-Pressure |
| 16 | 104-9007 | 1 | Switch-Rocker |
| 17 | 100-8469 | 1 | Switch-Rocker |
| 18 | 904156 | 4 | Weldnut |
| 19 | 321-3 | 2 | Screw-HH |
| 20 | 32148-11 | 2 | Insert-Threaded |
| 21 | 100-8665 | 1 | Reducer-Gauge, Pressure |
| 23 | 104-9104 | 1 | Module-Valve, Pwm |
| 24 | 104-9146-03 | 1 | Plate-Shield, Head Light |
| 25 | 3234-4 | 2 | Screw-HHF |

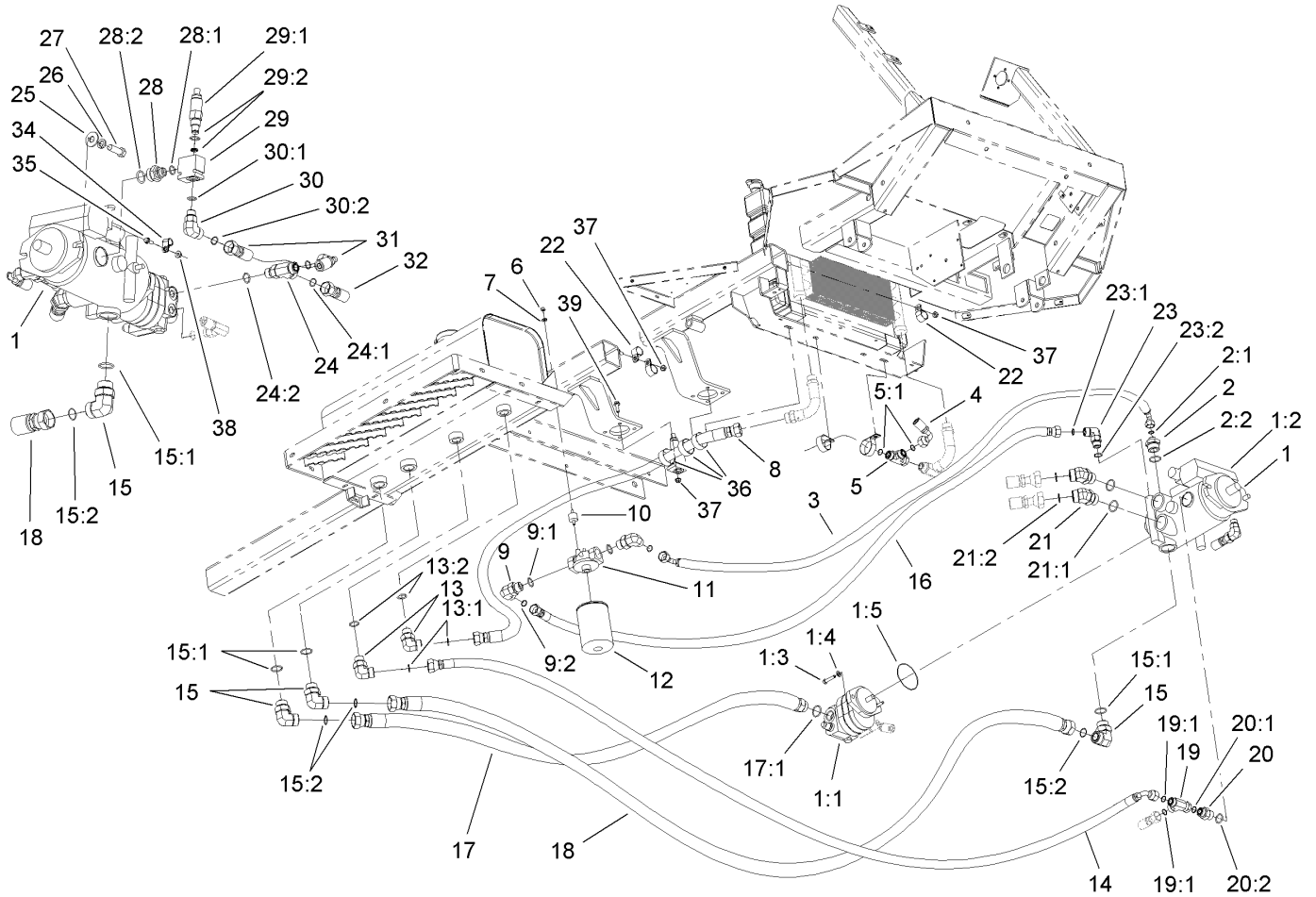
| Ref | Part No. | Qty. | Description |
|-----|----------|------|-----------------|
| 26 | 100-8667 | 1 | Coupler-Reducer |
| 27 | 63-8360 | 2 | Key-Ignition |



Hydraulic Pump Assembly

| Ref | Part No. | Qty. | Description |
|------|----------|------|---------------------|
| 1 | | 1 | Pump ASM |
| 1:1 | 93-6492 | 1 | Gear Pump ASM |
| 1:2 | 93-6491 | 1 | Piston Pump ASM |
| 1:3 | 323-7 | 2 | Screw-HH |
| 1:4 | 60-3540 | 2 | Washer |
| 1:5 | 60-3520 | 1 | O-Ring |
| 2 | 104-9178 | 1 | Fitting-Straight |
| 2:1 | 237-30 | 1 | O-Ring |
| 2:2 | 237-146 | 1 | O-Ring |
| 3 | 104-9191 | 1 | Hose ASM |
| 4 | 106-5030 | 1 | Hose ASM |
| 5 | 340-147 | 1 | Fitting-HYD, Tee |
| 5:1 | 237-65 | 2 | O-Ring |
| 6 | 3217-5 | 2 | Nut-Hex |
| 7 | 3256-22 | 2 | Washer-Flat |
| 8 | 106-5266 | 1 | Hose ASM |
| 9 | 340-139 | 2 | Fitting-HYD, 90 DEG |
| 9:1 | 237-81 | 1 | O-Ring |
| 9:2 | 237-65 | 1 | O-Ring |
| 10 | 106-5271 | 2 | Mount-Isolation |
| 11 | 92-5821 | 1 | Filter Head ASM |
| 12 | 86-3010 | 2 | Filter-Oil |
| 13 | 340-142 | 2 | Fitting-HYD, 90 DEG |
| 13:1 | 237-58 | 1 | O-Ring |

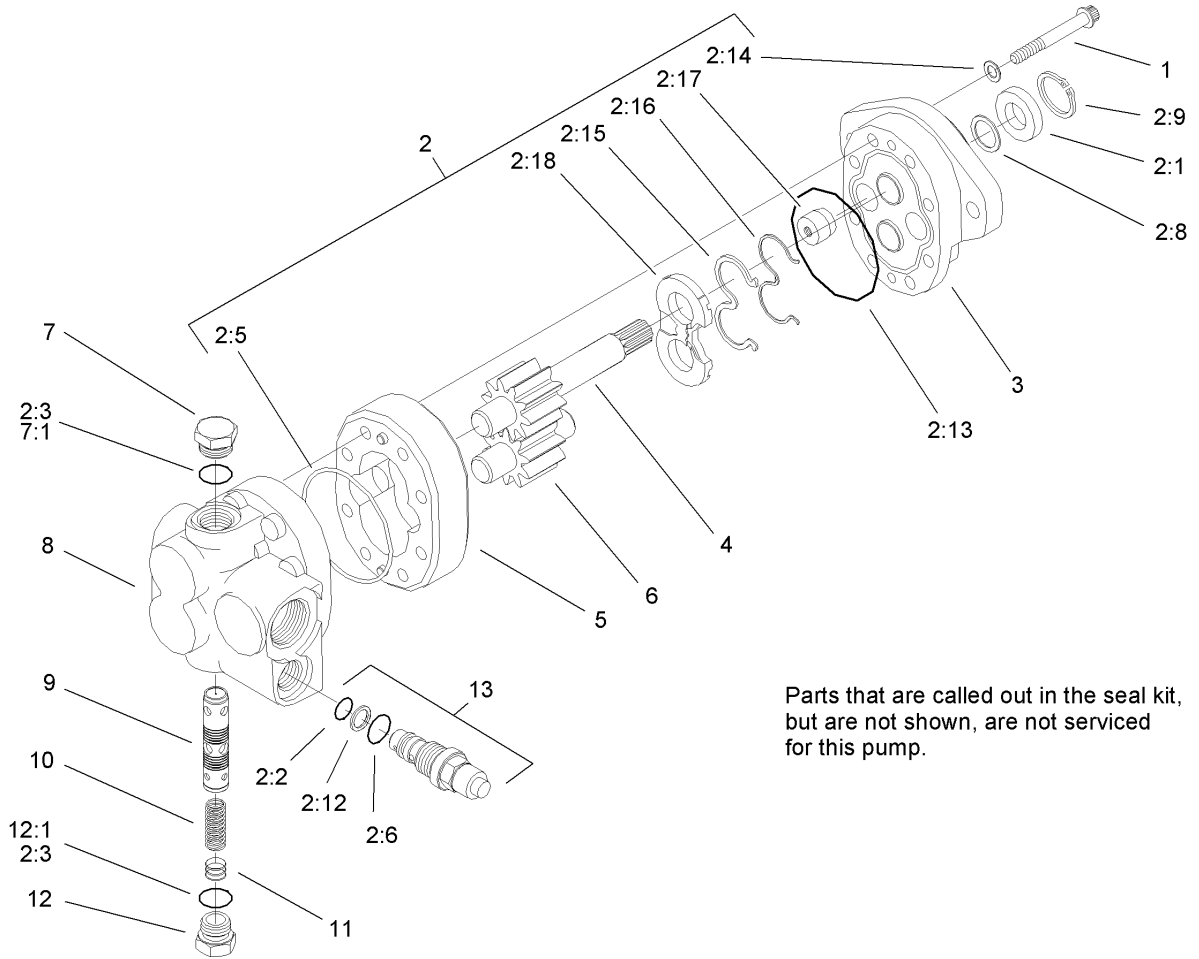
| Ref | Part No. | Qty. | Description |
|------|----------|------|---------------------|
| 13:2 | 237-81 | 1 | O-Ring |
| 14 | 106-5033 | 1 | Hose ASM |
| 15 | 340-129 | 3 | Fitting-HYD, 90 DEG |
| 15:1 | 237-146 | 1 | O-Ring |
| 15:2 | 340-65 | 1 | O-Ring |
| 16 | 104-9192 | 1 | Hose ASM |
| 17 | 106-5031 | 1 | Hose ASM |
| 17:1 | 237-146 | 1 | O-Ring |
| 18 | 106-5032 | 1 | Hose ASM |
| 19 | 340-147 | 1 | Fitting-HYD, Tee |
| 19:1 | 237-65 | 2 | O-Ring |
| 20 | 340-8 | 1 | Adapter |
| 20:1 | 237-65 | 1 | O-Ring |
| 20:2 | 237-81 | 1 | O-Ring |
| 21 | 104-3509 | 2 | Fitting-HYD, 45 DEG |
| 21:1 | 237-146 | 1 | O-Ring |
| 21:2 | 340-65 | 1 | O-Ring |
| 22 | 2412-39 | 3 | R-Clamp |
| 23 | 340-17 | 1 | Fitting-HYD, 90 DEG |
| 23:1 | 237-65 | 1 | O-Ring |
| 23:2 | 237-80 | 1 | O-Ring |
| 24 | 340-22 | 1 | Fitting-HYD, Tee |
| 24:1 | 237-65 | 2 | O-Ring |
| 24:2 | 237-80 | 1 | O-Ring |



Hydraulic Pump Assembly (continued)

| Ref | Part No. | Qty. | Description |
|------|----------|------|-----------------------|
| 25 | 3256-6 | 2 | Washer-Flat |
| 26 | 3253-7 | 2 | Washer-Lock |
| 27 | 325-6 | 2 | Screw-HH |
| 28 | 104-9168 | 1 | Adapter |
| 28:1 | 237-79 | 1 | O-Ring |
| 28:2 | 237-81 | 1 | O-Ring |
| 29 | 110-5074 | 1 | Valve-Relief |
| 29:1 | 110-5089 | 1 | Cartridge |
| 29:2 | 94-8764 | 1 | Seal Kit |
| 30 | 340-153 | 1 | Fitting-Elbow, 90 DEG |
| 30:1 | 237-79 | 1 | O-Ring |
| 30:2 | 237-151 | 1 | O-Ring |
| 31 | 75-6130 | 1 | Hose ASM |
| 32 | 106-5029 | 1 | Hose ASM |
| 34 | 2412-93 | 1 | Clamp-R |
| 35 | 3234-4 | 1 | Screw-HHF |
| 36 | 2412-96 | 5 | Clamp-R |
| 37 | 104-8300 | 8 | Nut-Flange, NI |
| 38 | 32128-33 | 1 | Nut-HF |
| 39 | 3234-17 | 3 | Screw-HHF |

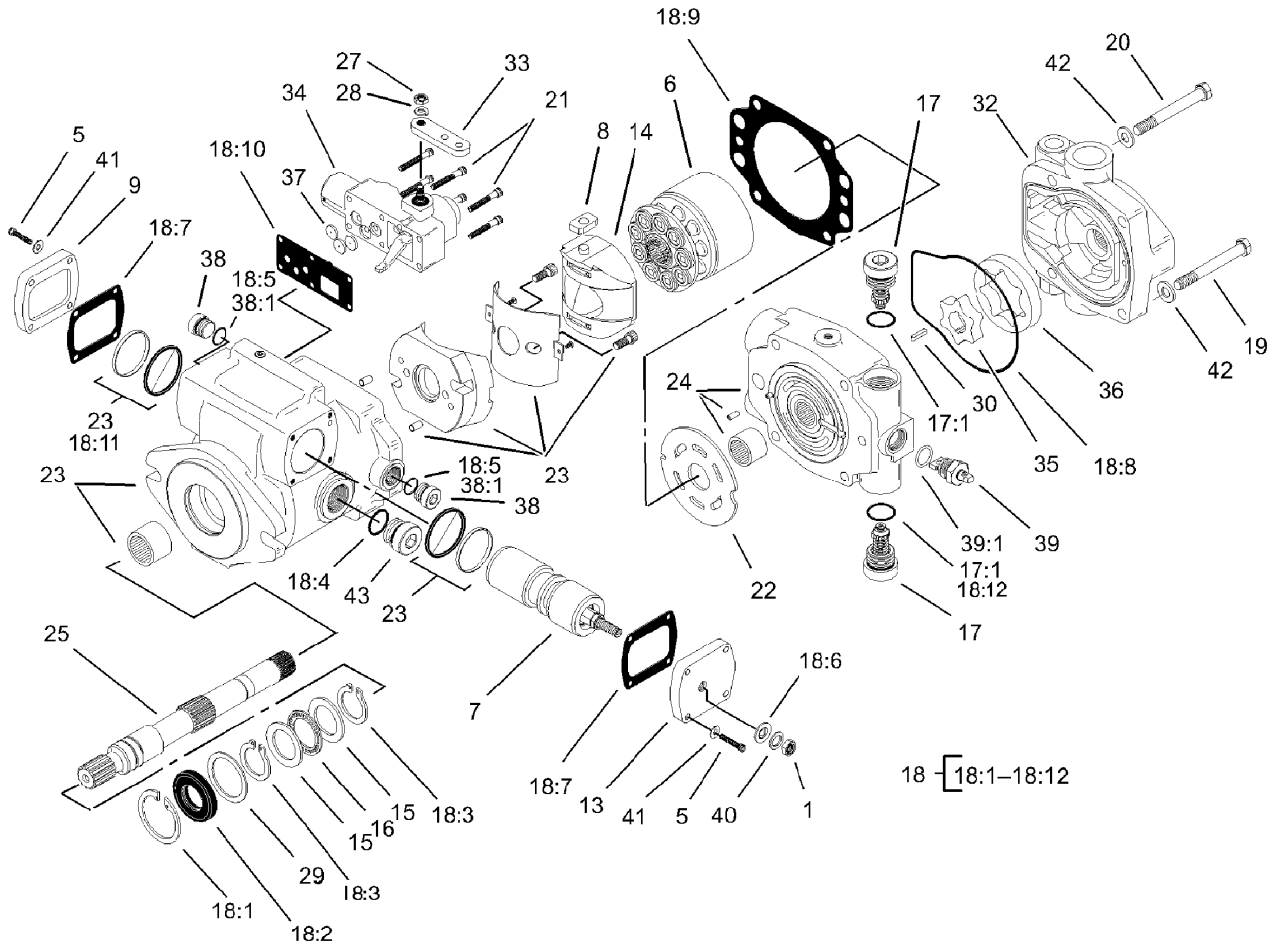
| | | | |
|--|--|--|--|
| | | | |
| | | | |
| | | | |
| | | | |



Gear Pump Assembly No. 93-6492

| Ref | Part No. | Qty. | Description |
|------|----------|------|------------------------|
| 1 | 74-9370 | 8 | Capscrew |
| 2 | 95-2109 | 1 | Seal Kit |
| 2:1 | | 1 | Seal-Shaft |
| 2:2 | | 1 | O-Ring |
| 2:3 | | 2 | O-Ring |
| 2:4 | | 1 | O-Ring |
| 2:5 | | 1 | O-Ring |
| 2:6 | | 1 | O-Ring |
| 2:7 | | 1 | O-Ring |
| 2:8 | | 1 | Washer |
| 2:9 | | 1 | Ring-Retaining |
| 2:10 | | 1 | O-Ring |
| 2:11 | | 1 | Washer-Back Up |
| 2:12 | | 1 | Washer-Back Up |
| 2:13 | | 2 | O-Ring, Molded |
| 2:14 | | 6 | Washer-Sealing |
| 2:15 | | 1 | Seal-Balance, Pressure |
| 2:16 | | 1 | Gasket-Back Up |
| 2:17 | | 1 | Plug |
| 2:18 | | 1 | Plate-Wear |
| 3 | 95-4362 | 1 | Plate-Front |
| 4 | | 1 | Gear-Drive |
| 5 | | 1 | Body |
| 6 | | 1 | Gear-Idler |

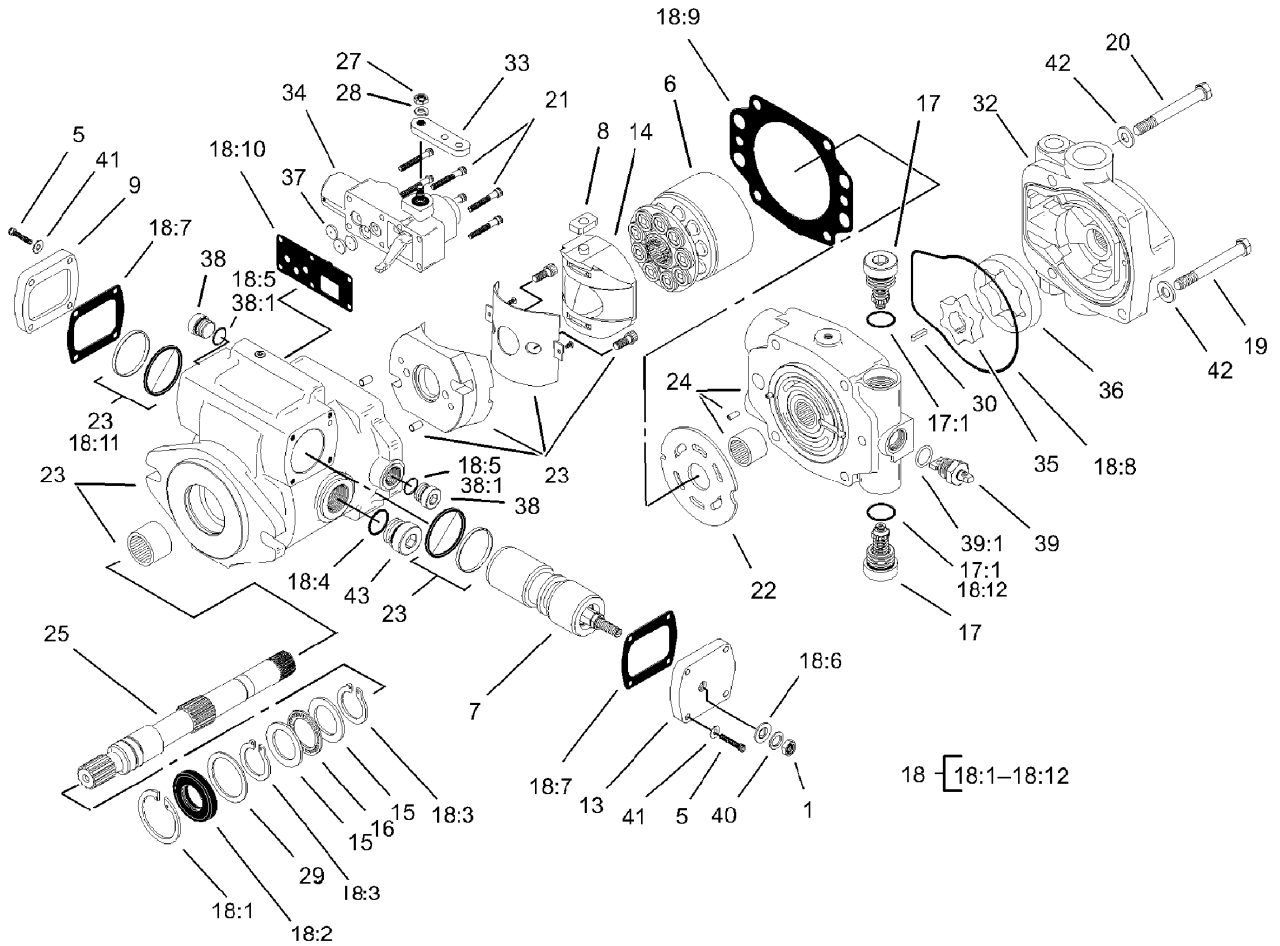
| Ref | Part No. | Qty. | Description |
|------|----------|------|------------------|
| 7 | 60-5860 | 1 | Plug |
| 7:1 | 60-5720 | 1 | O-Ring |
| 8 | 93-6377 | 1 | Backplate ASM |
| 9 | 93-6420 | 1 | Spool |
| 10 | 88-3770 | 1 | Spring |
| 11 | 60-5730 | 1 | Disc |
| 12 | 60-5710 | 1 | Plug |
| 12:1 | 60-5720 | 1 | O-Ring |
| 13 | 93-6416 | 1 | Relief Valve ASM |
| 99 | 107-4328 | 1 | Front Plate Kit |



Piston Pump Assembly No. 93-6491

| Ref | Part No. | Qty. | Description |
|--------|----------|------|-------------------------|
| 1 | 3220-3 | 1 | Nut-HJ |
| 5 | 93-6337 | 8 | Screw |
| 6 | 99-8701 | 1 | Rotating Kit |
| 7 | 105-2856 | 1 | Servo Piston ASM |
| 8 | 94-3032 | 1 | Follower-Piston |
| 9 | 94-3033 | 1 | Plate-Cover |
| 13 | 105-9853 | 1 | Plate-Cover |
| 14 | 94-3026 | 1 | Camplate ASM |
| 15 | 76-6950 | 2 | Race-Thrust |
| 16 | 76-6960 | 1 | Bearing-Thrust |
| 17 | 105-2858 | 2 | Valve-Relief |
| ●17:1 | | 1 | O-Ring |
| 18 | 107-1561 | 1 | Seal Kit |
| 18:1 | 60-6260 | 1 | Ring |
| 18:2 | 105-3331 | 1 | Seal-Shaft |
| 18:3 | 76-7000 | 2 | Ring-Retaining |
| ●18:4 | | 2 | O-Ring |
| ●18:5 | 93-6314 | 2 | O-Ring |
| 18:6 | 94-3027 | 1 | Washer-Seal |
| 18:7 | 93-6339 | 2 | Gasket |
| ●18:8 | 105-2905 | 1 | O-Ring |
| 18:9 | 105-2900 | 1 | Gasket-Housing |
| 18:10 | 105-2901 | 1 | Gasket-Housing, Control |
| ●18:11 | | 2 | Seal ASM |

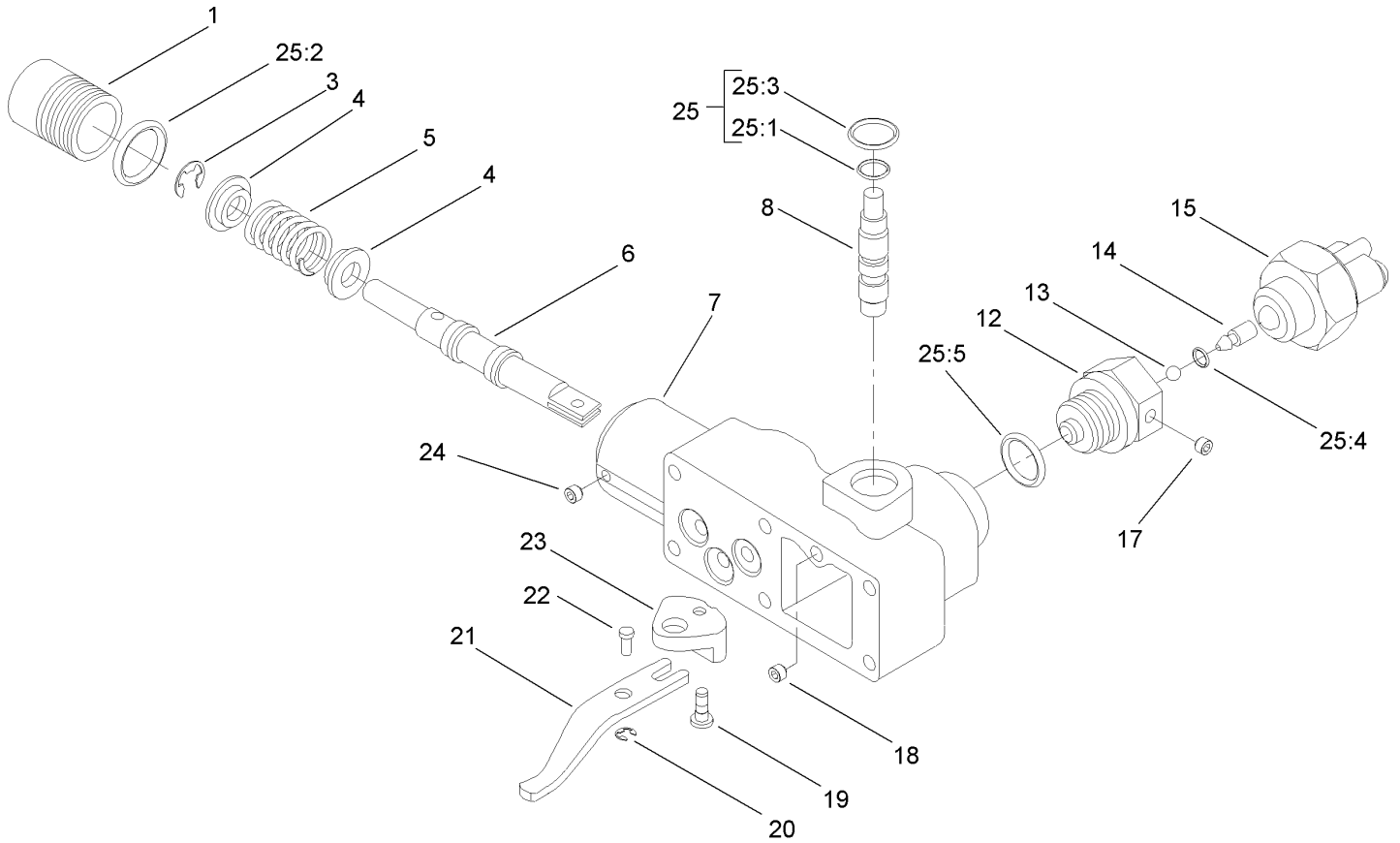
| Ref | Part No. | Qty. | Description |
|--------|----------|------|-----------------|
| ●18:12 | 74-9380 | 1 | O-Ring |
| 19 | 323-15 | 2 | Screw-HH |
| 20 | 323-16 | 2 | Screw-HH |
| 21 | 93-6324 | 6 | Screw |
| 22 | 99-8704 | 1 | Plate-Valve |
| ●23 | | 1 | Housing |
| 24 | 105-2904 | 1 | Backplate |
| 25 | 93-6344 | 1 | Driveshaft |
| 27 | 3217-5 | 1 | Nut-Hex |
| 28 | 3253-3 | 1 | Washer-Lock |
| 29 | 60-6240 | 1 | Washer |
| 30 | 93-6375 | 1 | Key |
| 32 | 95-2110 | 1 | Adaptor ASM |
| 33 | 105-2862 | 1 | Arm-Control |
| 34 | 93-6306 | 1 | Control ASM |
| 35 | 93-6365 | 1 | Gerotor-Inner |
| 36 | 93-6364 | 1 | Gerotor-Outer |
| 37 | 94-3041 | 3 | Orifice-Control |
| 38 | 74-9280 | 2 | Plug ASM |
| ●38:1 | | 1 | O-Ring |
| 39 | 105-2913 | 1 | Valve-Bypass |
| ●39:1 | | 1 | O-Ring |
| 40 | 94-3030 | 1 | Washer |
| 41 | 93-6336 | 8 | Washer |



Piston Pump Assembly No. 93-6491 (continued)

| Ref | Part No. | Qty. | Description |
|-----|----------|------|-------------|
| 42 | 3256-24 | 4 | Washer-Flat |
| ④43 | | 1 | Plug ASM |

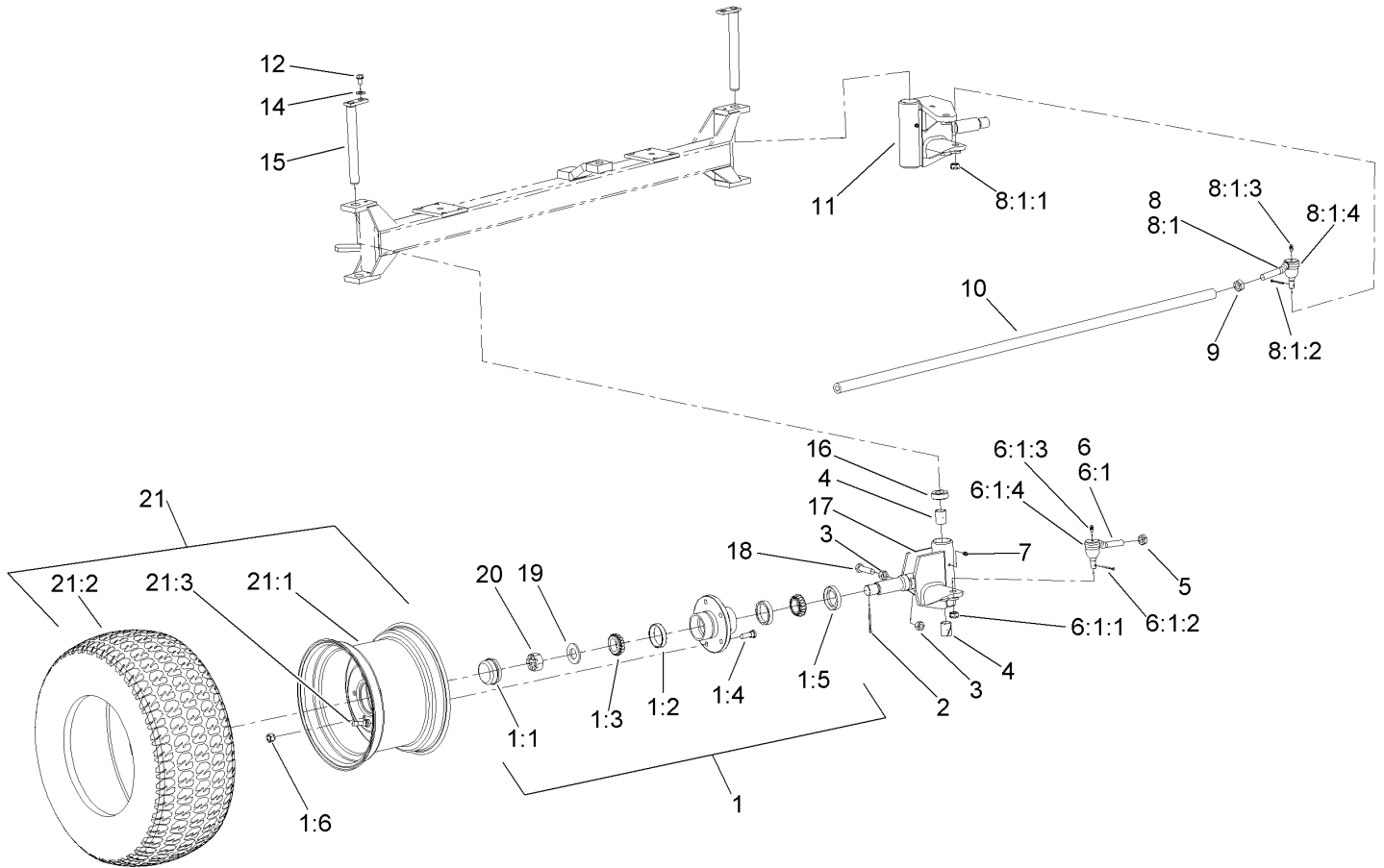
| | | | |
|--|--|--|--|
| | | | |
|--|--|--|--|



Control Assembly No. 93-6306

| Ref | Part No. | Qty. | Description |
|------|----------|------|------------------------|
| ① | | 1 | Plug |
| ③ | | 1 | Ring-Retaining |
| ④ | | 2 | Retainer-Spring |
| ⑤ | | 1 | Spring |
| ⑥ | | 1 | Valve-Spool |
| ⑦ | | 1 | Housing-Control |
| ⑧ | | 1 | Shaft-Input |
| ⑫ | | 1 | Adaptor |
| ⑬ | | 1 | Ball |
| ⑭ | | 1 | Pin |
| 15 | 94-3043 | 1 | Switch-Safety, Neutral |
| ⑰ | | 1 | Screw-Set |
| ⑱ | | 1 | Screw-Set |
| ⑲ | | 1 | Pin |
| ⑳ | | 1 | Ring-Retaining |
| ㉑ | | 1 | Link |
| ㉒ | | 1 | Pin-Dowel |
| ㉓ | | 1 | Crank-Bell |
| ㉔ | | 1 | Screw-Set |
| 25 | 94-3044 | 1 | Seal Kit |
| ②5:1 | | 1 | O-Ring |
| ②5:2 | | 1 | O-Ring |
| ②5:3 | | 1 | Seal-Wiper |
| ②5:4 | | 1 | O-Ring |

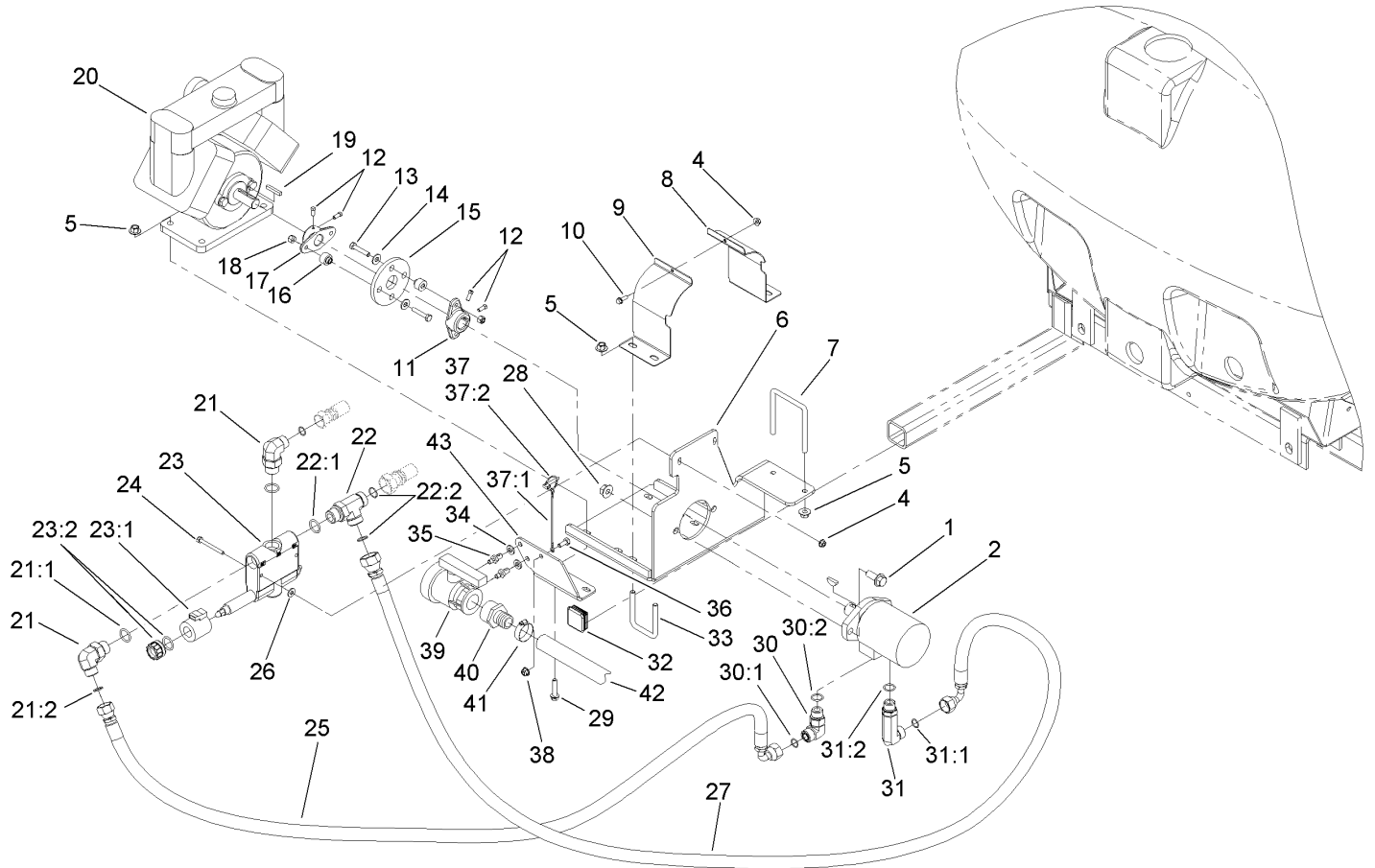
| Ref | Part No. | Qty. | Description |
|------|----------|------|-------------|
| ②5:5 | | 1 | O-Ring |



Front Wheel, Tie Rod and Spindle Assembly

| Ref | Part No. | Qty. | Description |
|-------|------------|------|------------------|
| 1 | 94-7148 | 2 | Hub ASM |
| 1:1 | 94-7282 | 1 | Cap-Dust |
| 1:2 | 254-61 | 2 | Cup-Bearing |
| 1:3 | 94-7283 | 2 | Bearing-Cone |
| 1:4 | 95-9383 | 5 | Stud |
| 1:5 | 94-7285 | 1 | Seal |
| 1:6 | 242-35 | 5 | Nut-Wheel |
| 2 | 3272-15 | 2 | Pin-Cotter |
| 3 | 3217-9 | 4 | Nut-HH |
| 4 | 93-6586 | 4 | Bushing |
| 5 | 3220-11 | 1 | Nut-Jam |
| 6 | 87-1480-03 | 1 | End-Tie Rod, RH |
| 6:1 | 87-5340 | 1 | Tie Rod Seal Kit |
| 6:1:1 | 32136-3 | 1 | Nut-SHH |
| 6:1:2 | 3272-12 | 1 | Pin-Cotter |
| 6:1:3 | 302-5 | 1 | Fitting-Grease |
| 6:1:4 | 107-1587 | 1 | Seal |
| 7 | 302-5 | 2 | Fitting-Grease |
| 8 | 87-1470-03 | 1 | End-Tie Rod, LH |
| 8:1 | 87-5340 | 1 | Tie Rod Seal Kit |
| 8:1:1 | 32136-3 | 1 | Nut-SHH |
| 8:1:2 | 3272-12 | 1 | Pin-Cotter |
| 8:1:3 | 302-5 | 1 | Fitting-Grease |
| 8:1:4 | 107-1587 | 1 | Seal |

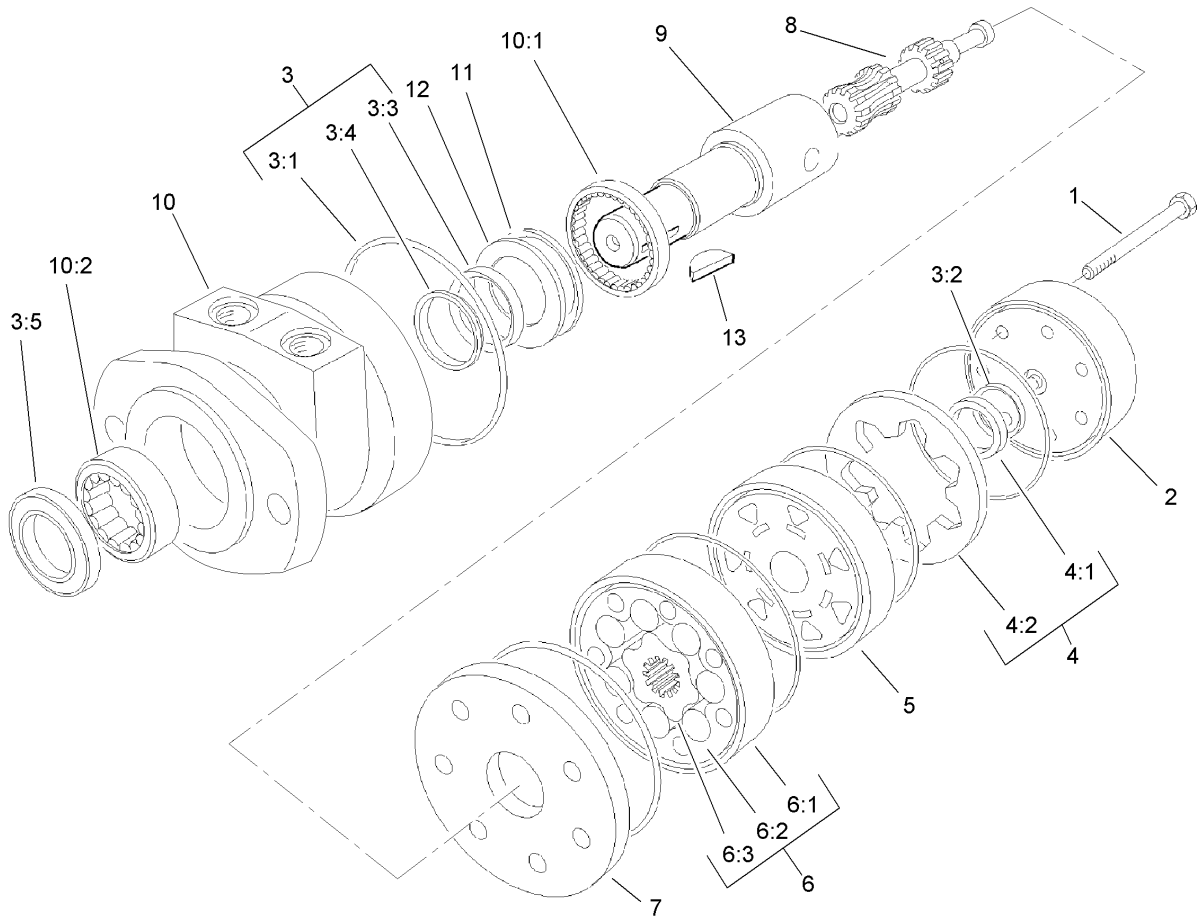
| Ref | Part No. | Qty. | Description |
|------|-------------|------|--------------------|
| 9 | 3218-21 | 1 | Nut-Jam |
| 10 | 93-6588 | 1 | Rod-Steering |
| 11 | 117-5808-03 | 1 | LH Spindle ASM |
| 12 | 32144-14 | 2 | Screw-HWHTF |
| 14 | 3256-3 | 2 | Washer-Flat |
| 15 | 93-6584 | 2 | King Pin ASM |
| 16 | 93-6587 | 2 | Bearing |
| 17 | 117-5809-03 | 1 | RH Spindle ASM |
| 18 | 01-182-0816 | 2 | TAP Bolt-HH |
| 19 | 3256-62 | 2 | Washer-Flat |
| 20 | 32136-11 | 2 | Nut-Hex, Slot |
| 21 | | 2 | Tire And Wheel ASM |
| 21:1 | 41169 | 1 | Wheel |
| 21:2 | 42330 | 1 | Tire |
| 21:3 | 232-27 | 1 | Stem-Valve |



Pump Drive Assembly

| Ref | Part No. | Qty. | Description |
|------|-------------|------|---------------------|
| 1 | 325-6 | 2 | Screw-HH |
| 2 | 104-9099 | 1 | Pump-Spray, Motor |
| 4 | 32128-33 | 3 | Nut-HF |
| 5 | 32128-43 | 14 | Nut-Flange |
| 6 | 106-1219-03 | 1 | Pump Bracket ASM |
| 7 | 100-7067 | 1 | U-Bolt |
| 8 | 104-9080-03 | 1 | Plate-Guard, Front |
| 9 | 104-9081-03 | 1 | Plate-Guard, Rear |
| 10 | 3234-4 | 1 | Screw-HHF |
| 11 | 110-5236 | 1 | Hub-Engine |
| 12 | 3241-5 | 4 | Screw-Set |
| 13 | 322-10 | 4 | Screw-HH |
| 14 | 3256-3 | 4 | Washer-Flat |
| 15 | 115-5129 | 2 | Coupling-Rubber |
| 16 | 71-4410 | 4 | Spacer |
| 17 | 110-5227 | 1 | Hub-Pump |
| 18 | 3296-29 | 4 | Nut-Lock, NI |
| 19 | 67-7490 | 1 | Key-Square |
| 20 | 106-5121 | 1 | Pump |
| 21 | 340-139 | 2 | Fitting-HYD, 90 DEG |
| 21:1 | 237-81 | 1 | O-Ring |
| 21:2 | 237-65 | 1 | O-Ring |
| 22 | 340-148 | 1 | Fitting-Tee |
| 22:1 | 237-81 | 1 | O-Ring |

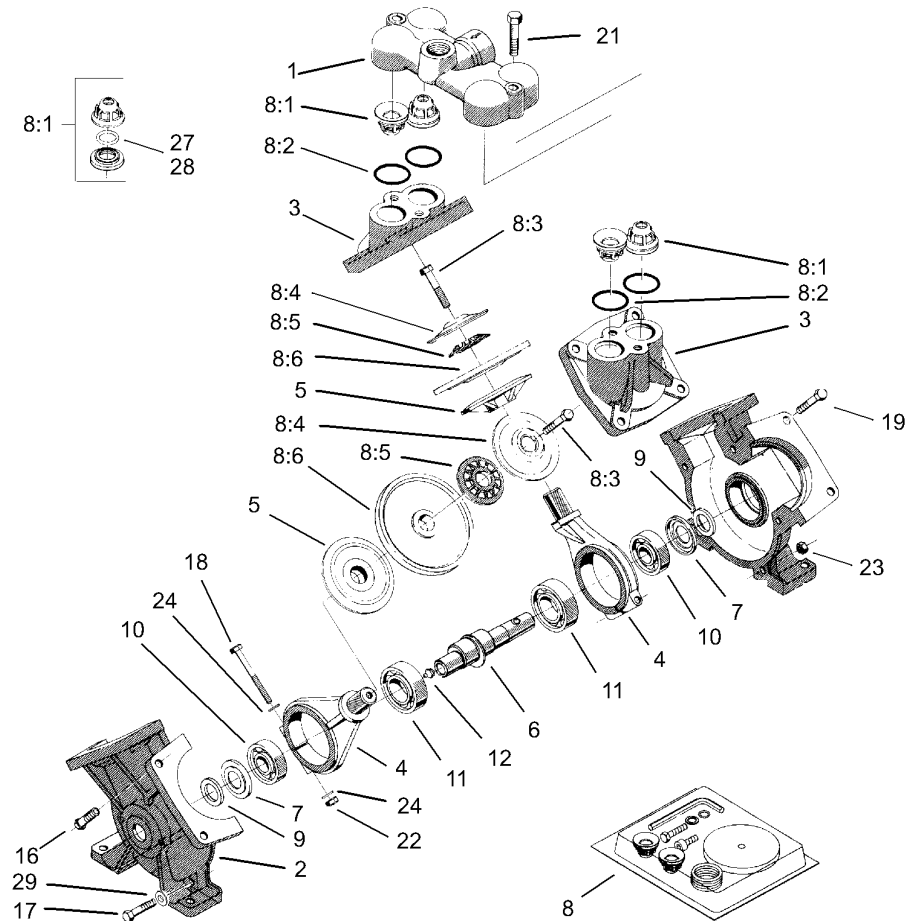
| Ref | Part No. | Qty. | Description |
|------|----------|------|-----------------------|
| 22:2 | 237-58 | 2 | O-Ring |
| 23 | 110-5097 | 1 | Valve-Pwm |
| 23:1 | 110-5085 | 1 | Coil-Valve, Pwm |
| 23:2 | 110-5087 | 1 | Nut And O-Ring Kit |
| 24 | 321-15 | 2 | Screw-HH |
| 25 | 104-9181 | 1 | Hose ASM |
| 26 | 3256-2 | 2 | Washer-Flat |
| 27 | 104-9179 | 1 | Hose ASM |
| 28 | 99-5107 | 2 | Nut-Lock |
| 29 | 3234-18 | 4 | Screw-HHF |
| 30 | 340-17 | 1 | Fitting-HYD, 90 DEG |
| 30:1 | 237-65 | 1 | O-Ring |
| 30:2 | 237-80 | 1 | O-Ring |
| 31 | 104-9074 | 1 | Fitting-Elbow, 90 DEG |
| 31:1 | 237-65 | 1 | O-Ring |
| 31:2 | 237-80 | 1 | O-Ring |
| 32 | 95-9495 | 1 | Cap |
| 33 | 104-9082 | 2 | U-Bolt |
| 34 | 62-1230 | 2 | Washer-Rubber |
| 35 | 112-7900 | 2 | Mount-Peg |
| 36 | 322-3 | 1 | Screw-HH |
| 37 | 98-0979 | 1 | Lynch Pin ASM |
| 37:1 | 28-8070 | 1 | Lanyard |
| 37:2 | 3290-495 | 1 | Pin-Klik |



Spray Pump Assembly No. 104-9099

| Ref | Part No. | Qty. | Description |
|-------|----------|------|---------------------|
| 1 | 322-33 | 5 | Screw-HH |
| 2 | 106-1981 | 1 | Cover-End |
| 3 | 106-1989 | 1 | Seal Kit |
| ②3:1 | | 6 | Seal-Ring |
| ②3:2 | | 1 | Seal-Commutator |
| ②3:3 | | 1 | Seal-Dirt And Water |
| ②3:4 | | 1 | Washer-Backup |
| ②3:5 | | 1 | Seal-Shaft |
| ①②3:6 | | 1 | Ring-Back Up |
| 4 | 106-1982 | 1 | Commutator ASM |
| ②4:1 | | 1 | Commutator |
| ②4:2 | | 1 | Ring-Commutator |
| 5 | 106-1983 | 1 | Manifold |
| 6 | 107-1565 | 1 | Rotor Set |
| ②6:1 | | 1 | Stator |
| ②6:2 | | 7 | Vane |
| ②6:3 | | 1 | Rotor |
| 7 | 106-1985 | 1 | Plate-Wear |
| 8 | 107-1564 | 1 | Link-Drive |
| 9 | 107-1567 | 1 | Shaft-Coupling |
| 10 | 107-1566 | 1 | Housing ASM |
| ②10:1 | | 1 | Bearing |
| ②10:2 | | 1 | Bearing |
| ②11 | | 1 | Bearing-Thrust |

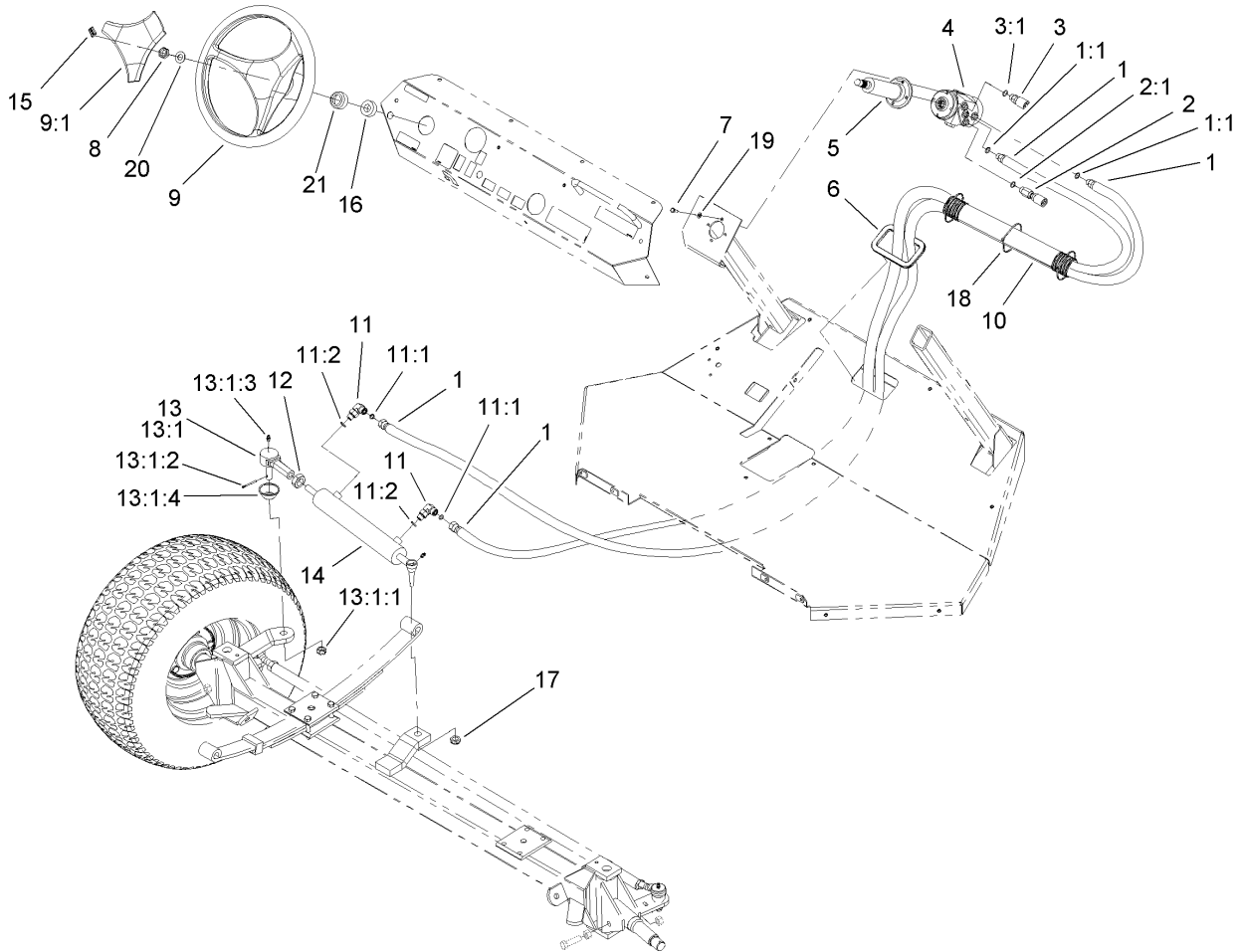
| Ref | Part No. | Qty. | Description |
|-----|----------|------|---------------|
| ②12 | | 1 | Washer-Thrust |
| 13 | 106-1990 | 1 | Key-Woodruff |



Pump Assembly No. 106-5121

| Ref | Part No. | Qty. | Description |
|-----|----------|------|----------------------|
| 1 | 106-5139 | 1 | Cover-Valve |
| 2 | 106-5140 | 2 | Housing-Pump |
| 3 | 106-5141 | 2 | Cover-Diaphragm |
| 4 | 106-5142 | 2 | Rod-Connecting |
| 5 | 100-8314 | 2 | Disc-Back, Diaphragm |
| 6 | 104-9052 | 1 | Crankshaft-Keyed |
| 7 | 100-8325 | 2 | Plate-Dust |
| 8 | 106-5150 | 1 | Repair Kit |
| 8:1 | 100-8307 | 4 | Valve |
| 8:2 | 100-6652 | 4 | Gasket |
| 8:3 | 106-5147 | 2 | Bolt |
| 8:4 | 100-8311 | 2 | Washer |
| 8:5 | 100-8312 | 2 | Washer-Nylon |
| 8:6 | 100-8313 | 2 | Diaphragm |
| 9 | 99-0868 | 2 | Felt-Seal |
| 10 | 100-8327 | 2 | Bearing-Ball |
| 11 | 100-8329 | 2 | Bearing-Ball |
| 12 | 99-0873 | 1 | Fitting-Grease |
| 16 | 106-5143 | 3 | Bolt |
| 17 | 106-5144 | 2 | Bolt |
| 18 | 106-5145 | 2 | Bolt |
| 19 | 106-5146 | 8 | Bolt |
| 21 | 106-5148 | 2 | Bolt |
| 22 | 100-8326 | 2 | Nut-Hex |

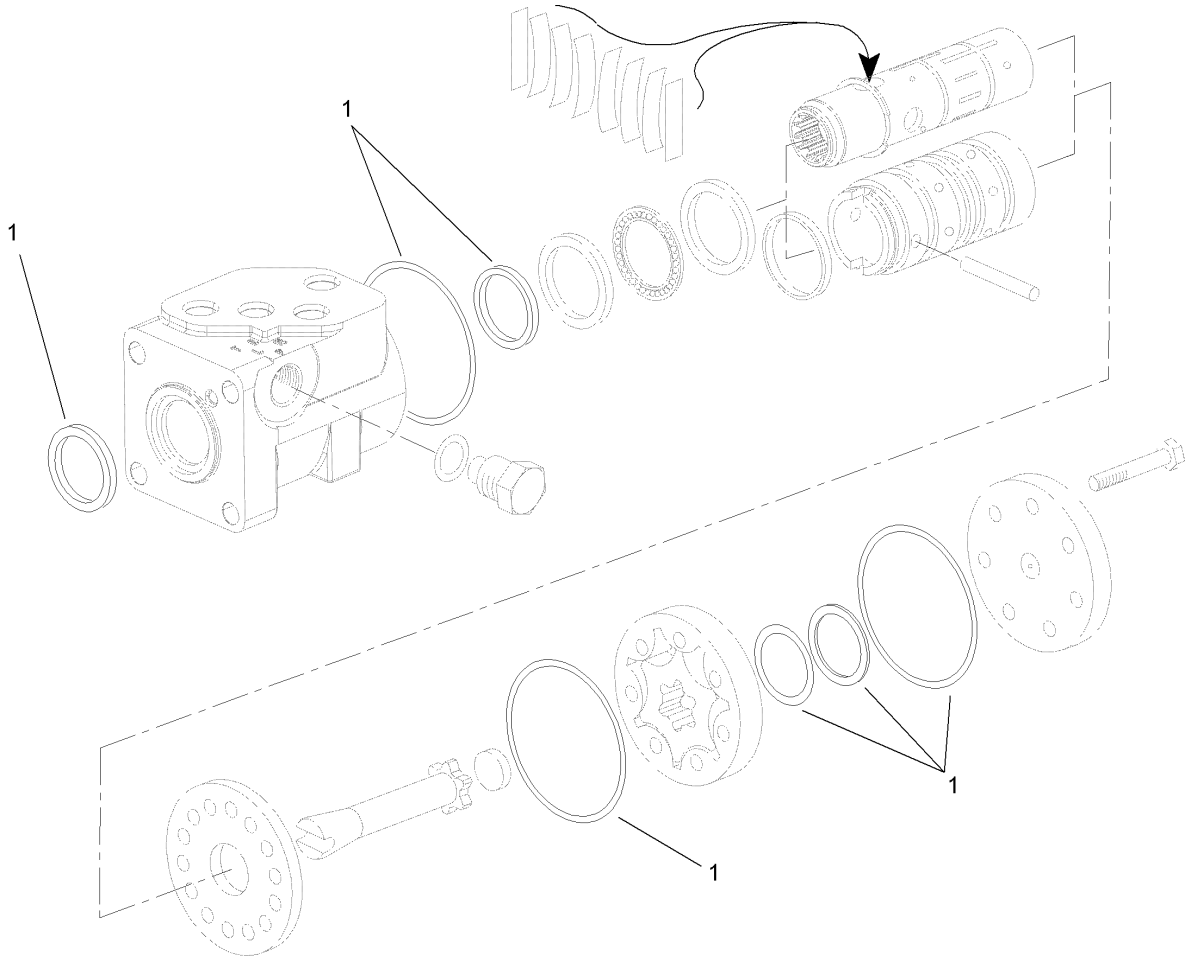
| Ref | Part No. | Qty. | Description |
|-----|----------|------|-------------|
| 23 | 106-5149 | 5 | Nut |
| 24 | 100-8316 | 4 | Washer-Lock |
| 27 | 100-8336 | 4 | O-Ring |
| 28 | 106-5138 | 4 | O-Ring |
| 29 | 106-5137 | 2 | Washer |



Steering Assembly

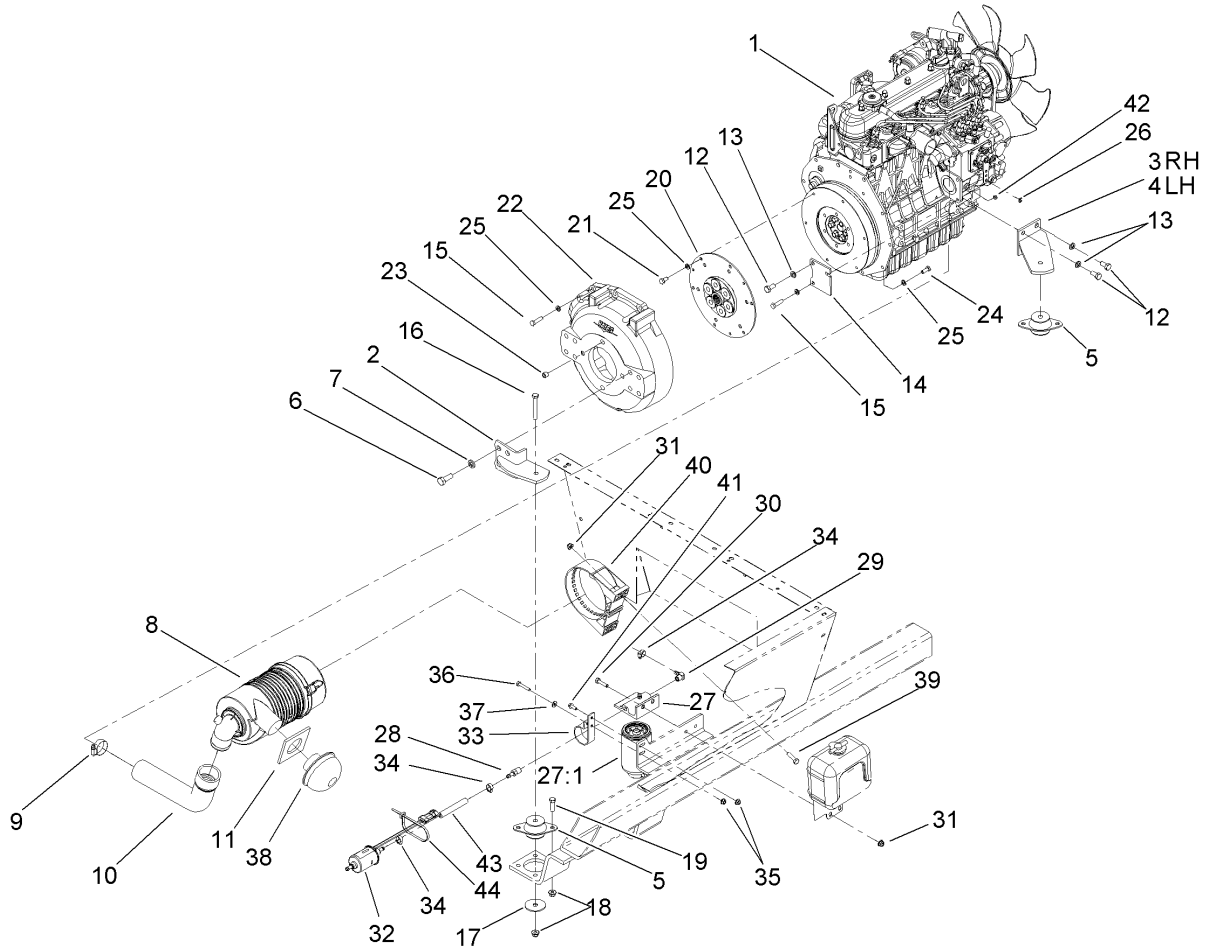
| Ref | Part No. | Qty. | Description |
|--------|------------|------|-----------------------|
| 1 | 104-9188 | 2 | Hose ASM |
| 1:1 | 237-42 | 1 | O-Ring |
| 2 | 104-9185 | 1 | Hose ASM |
| 2:1 | 237-42 | 1 | O-Ring |
| 2:2 | 237-79 | 1 | O-Ring |
| 3 | 104-9186 | 1 | Hose ASM |
| 3:1 | 237-42 | 1 | O-Ring |
| 4 | 114-5076 | 1 | Steering Control ASM |
| 5 | 94-8792 | 1 | Column-Steering |
| 6 | 95-2193 | 1 | Trim |
| 7 | 33113-016 | 4 | Screw-HH |
| 8 | 110-8816 | 1 | Nut-Hex |
| 9 | 98-1471 | 1 | Wheel-Steering |
| 9:1 | 98-1468 | 1 | Cover-Wheel, Steering |
| 10 | 106-6713 | 1 | Cover-Lines, Steering |
| 11 | 340-77 | 2 | Fitting-HYD, 90 DEG |
| 11:1 | 237-22 | 1 | O-Ring |
| 11:2 | 237-42 | 1 | O-Ring |
| 12 | 3220-11 | 1 | Nut-Jam |
| 13 | 93-6509-03 | 1 | Tie Rod End ASM |
| 13:1 | | 1 | Tie Rod End ASM |
| 13:1:1 | 32136-3 | 1 | Nut-SHH |
| 13:1:2 | 3272-12 | 1 | Pin-Cotter |
| 13:1:3 | 302-5 | 1 | Fitting-Grease |

| Ref | Part No. | Qty. | Description |
|--------|----------|------|---------------|
| 13:1:4 | 106-4901 | 1 | Seal-End, Rod |
| 14 | 93-6510 | 1 | Cylinder ASM |
| 15 | 98-1459 | 1 | Decal |
| 16 | 21-9260 | 1 | Cover-Dust |
| 17 | 3296-57 | 1 | Nut-Lock, NI |
| 18 | 3290-379 | 6 | Tie-Cable |
| 19 | 3253-18 | 4 | Washer-Lock |
| 20 | 3256-27 | 1 | Washer-Flat |
| 21 | 93-5439 | 1 | Seal-Steering |



Steering Control Assembly No. 114-5076

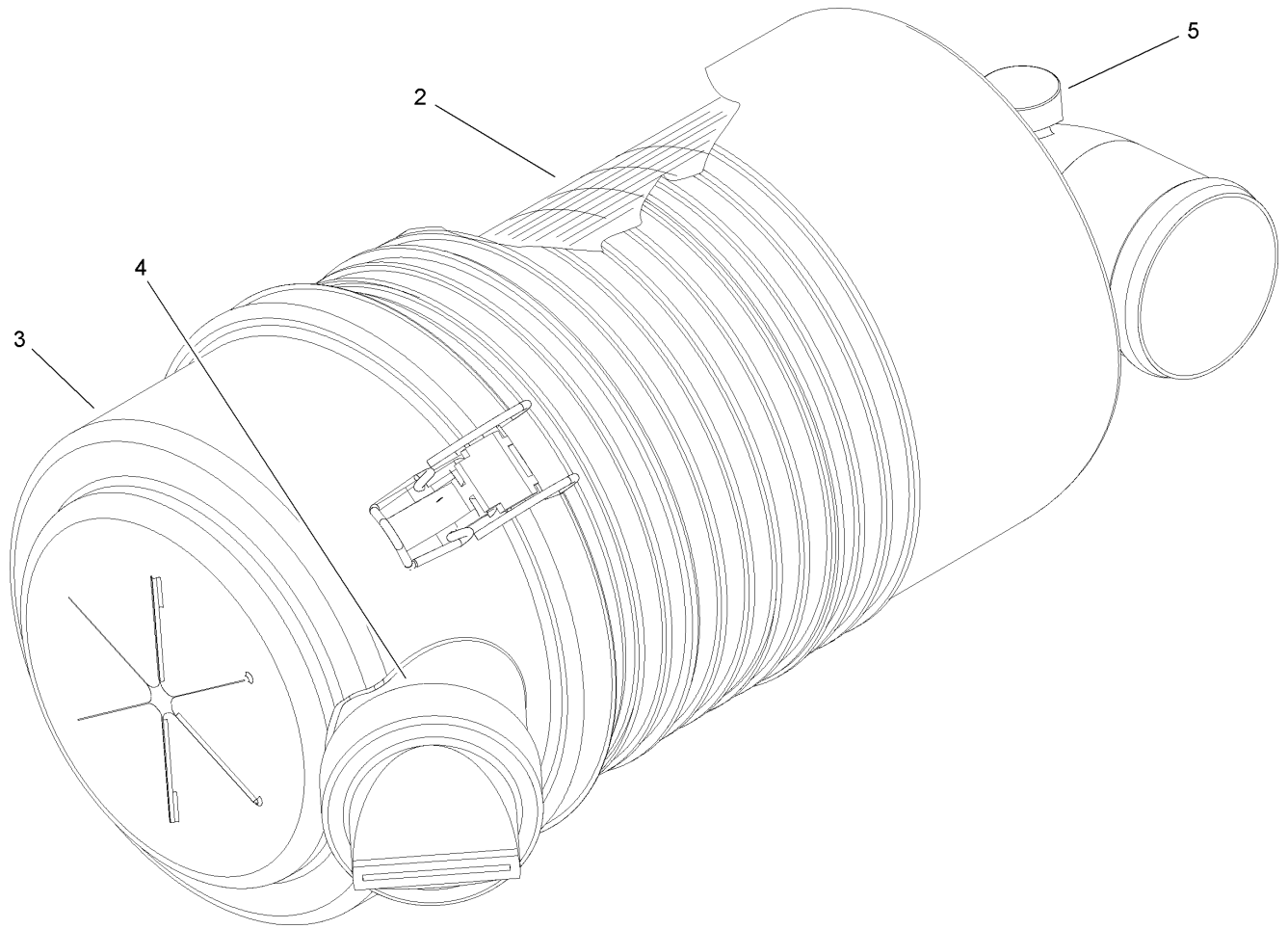
| Ref | Part No. | Qty. | Description | | | | |
|-----|----------|------|-------------|--|--|--|--|
| 1 | 108-1519 | 1 | Seal Kit | | | | |



Engine and Air Cleaner Assembly

| Ref | Part No. | Qty. | Description |
|-----|-------------|------|------------------------|
| 1 | 112-7870 | 1 | Engine-Kubota, Diesel |
| 2 | 106-5251-03 | 2 | Rear Bracket ASM |
| 3 | 106-5254-03 | 1 | RH Bracket ASM |
| 4 | 106-5257-03 | 1 | LH Bracket ASM |
| 5 | 53-9680 | 4 | Mount-Engine-Red |
| 6 | 325-5 | 8 | Screw-HH |
| 7 | 3253-7 | 8 | Washer-Lock |
| 8 | 106-5277 | 1 | Air Cleaner ASM |
| 9 | 2412-130 | 2 | Clamp-Hose |
| 10 | 106-5241 | 1 | Hose-Cleaner, Air |
| 11 | 94-7280 | 1 | Seal-Foam, Air Cleaner |
| 12 | 63-7790 | 9 | Screw-Cap |
| 13 | 48-9590 | 10 | Washer-Lock |
| 14 | 106-5249-03 | 1 | Plate-Throttle |
| 15 | 33114-030 | 7 | Screw-HH |
| 16 | 323-13 | 4 | Screw-HH |
| 17 | 87-5100 | 4 | Washer-Snubbing |
| 18 | 104-8301 | 12 | Nut-Flange, NI |
| 19 | 323-7 | 8 | Screw-HH |
| 20 | 92-0285 | 1 | Coupling ASM |
| 21 | 33114-016 | 6 | Screw-HH |
| 22 | 105-0100 | 1 | Flywheel Housing ASM |
| 23 | 3248-3 | 2 | Screw-Set, HSH |
| 24 | 33114-020 | 2 | Screw-HH |

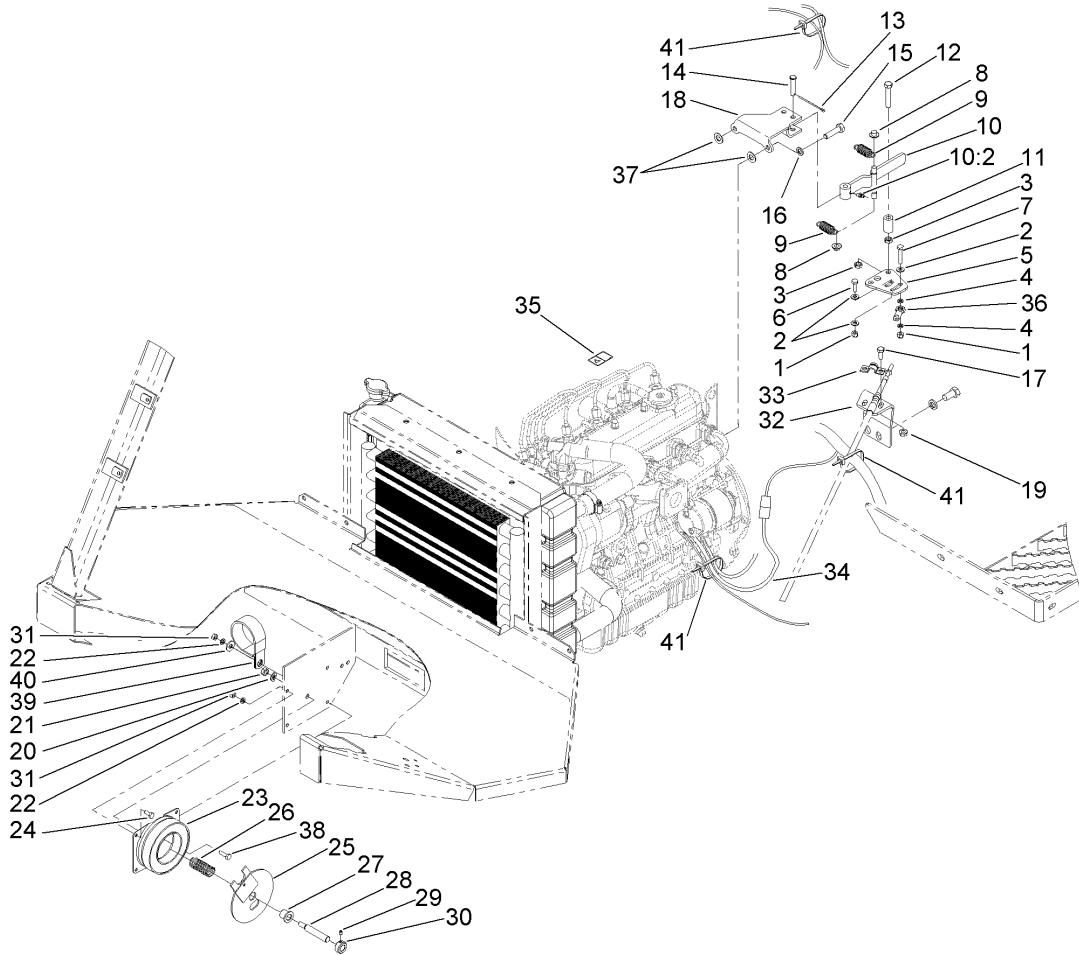
| Ref | Part No. | Qty. | Description |
|------|----------|------|----------------------|
| 25 | 3253-4 | 14 | Washer-Lock |
| 26 | 701197 | 1 | E-Ring |
| 27 | 110-9044 | 1 | Filter-Seperator |
| 27:1 | 110-9049 | 1 | Filter-Spin On |
| 28 | 353-783 | 1 | Fitting-Straight |
| 29 | 353-781 | 1 | Fitting-Elbow |
| 30 | 322-6 | 2 | Screw-HH |
| 31 | 104-8300 | 4 | Nut-Flange, NI |
| 32 | 110-8806 | 1 | Pump-Fuel |
| 33 | 110-8817 | 1 | Bracket-Pump, Fuel |
| 34 | 2412-108 | 4 | Clamp-Worm |
| 35 | 32128-33 | 2 | Nut-HF |
| 36 | 321-9 | 1 | Screw-HH |
| 37 | 3256-22 | 1 | Washer-Flat |
| 38 | 27-7180 | 1 | Cap ASM |
| 39 | 3234-17 | 2 | Screw-HHF |
| 40 | 98-4525 | 1 | Bracket-Cleaner, Air |
| 41 | 3234-4 | 1 | Screw-HHF |
| 42 | 33013-00 | 1 | Nut-Hex |
| 43 | 110-0462 | 1 | Hose-Fuel |
| 44 | 3290-378 | 1 | Tie-Cable |



Air Cleaner Assembly No. 106-5277

| Ref | Part No. | Qty. | Description |
|-----|----------|------|----------------|
| 2 | 108-3810 | 1 | Filter-Air |
| 3 | 98-9771 | 1 | Cover ASM |
| 4 | 87-9400 | 1 | Valve-Vacuator |
| 5 | 285-17 | 1 | Plug-Pipe |

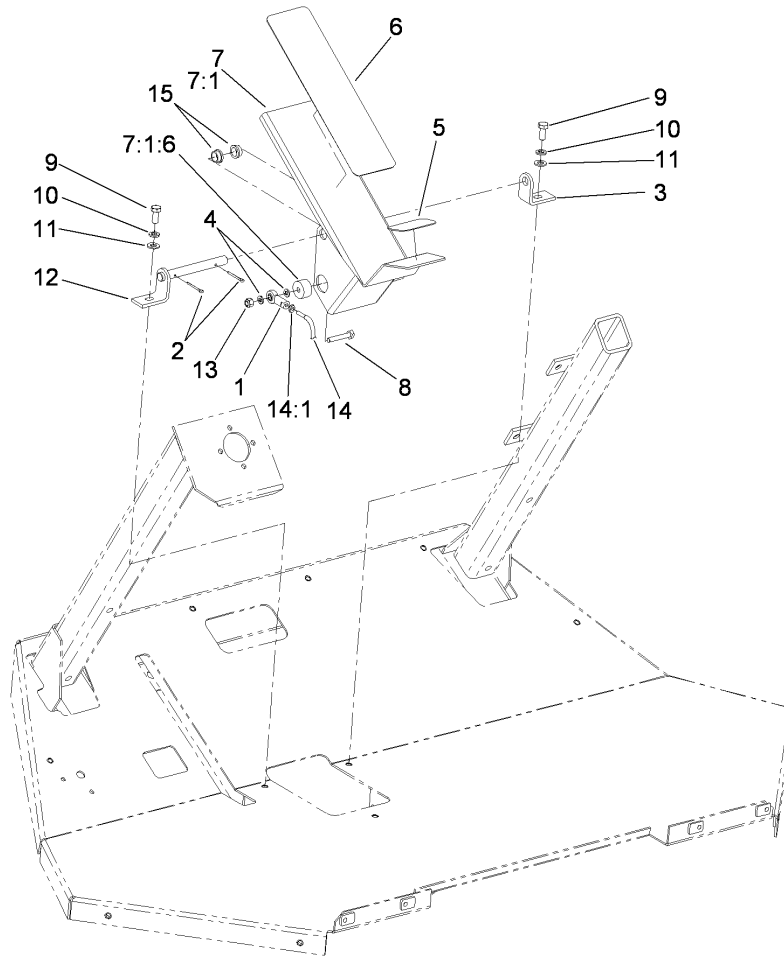
| Ref | Part No. | Qty. | Description |
|-----|----------|------|-------------|
| | | | |
| | | | |
| | | | |
| | | | |



Drive Linkage Assembly

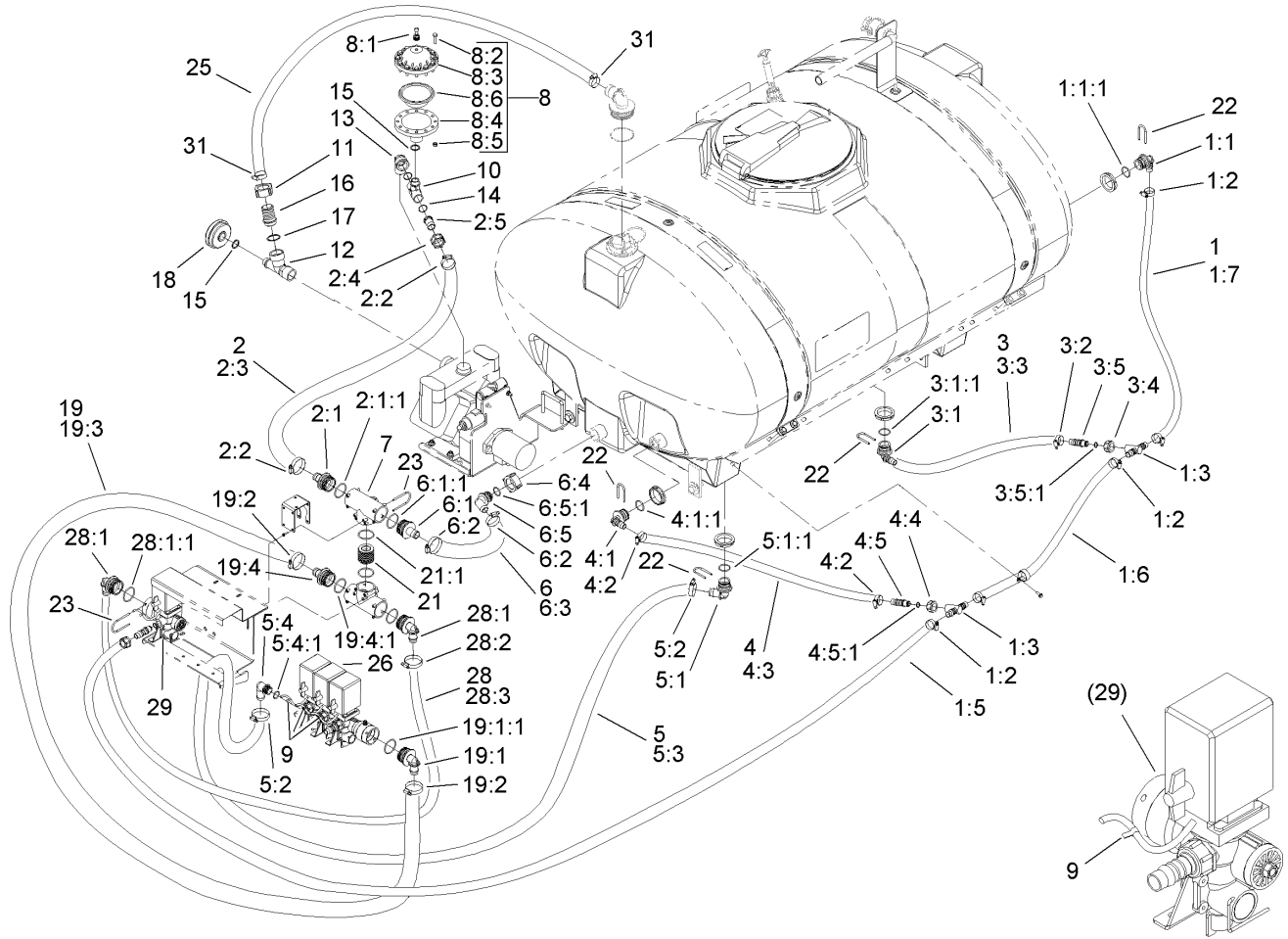
| Ref | Part No. | Qty. | Description |
|------|-------------|------|----------------------|
| 1 | 32146-17 | 2 | Nut-Lock |
| 2 | 3256-22 | 3 | Washer-Flat |
| 3 | 3220-3 | 4 | Nut-HJ |
| 4 | 33093-00 | 2 | Washer-Flat |
| 5 | 106-5244 | 1 | Plate-Neutral |
| 6 | 321-5 | 1 | Screw-HH |
| 7 | 321-9 | 1 | Screw-HH |
| 8 | 92-0465 | 4 | Cap-Retainer, Spring |
| 9 | 107-1045 | 2 | Spring-Extension |
| 10 | 92-0460 | 2 | Arm ASM |
| 10:2 | 302-5 | 1 | Fitting-Grease |
| 11 | 92-0455 | 2 | Bearing |
| 12 | 3211-9 | 2 | Screw-HH |
| 13 | 3272-53 | 1 | Pin-Cotter |
| 14 | 283-15 | 2 | Pin-Clevis |
| 15 | 87-3700 | 2 | Screw-Cap, HH |
| 16 | 48-9590 | 2 | Washer-Lock |
| 17 | 322-3 | 2 | Screw-HH |
| 18 | 106-5198-03 | 1 | Neutral Bracket ASM |
| 19 | 32128-20 | 2 | Nut-HF |
| 20 | 3253-5 | 1 | Washer-Lock |
| 21 | 3217-7 | 1 | Nut-Hex |
| 22 | 3253-3 | 4 | Washer-Lock |
| 23 | 42-1720 | 1 | Field Core Coil ASM |

| Ref | Part No. | Qty. | Description |
|-----|------------|------|-----------------------------|
| 24 | 321-3 | 3 | Screw-HH |
| 25 | 43-6110-03 | 1 | Plate-Clutch |
| 26 | 43-6200 | 1 | Spring-Compression |
| 27 | 256-273 | 1 | Bushing-Flange |
| 28 | 69-9170 | 1 | Shaft-Cruise |
| 29 | 3245-32 | 1 | Screw-HSH |
| 30 | 43-6320 | 1 | Collar |
| 31 | 3217-5 | 4 | Nut-Hex |
| 32 | 106-5242 | 1 | Plate-Mount, Traction Cable |
| 33 | 93-2092 | 1 | Clamp-Cable |
| 34 | 99-3441 | 1 | Harness-Wire, Fusible Link |
| 35 | 106-5517 | 1 | Decal-Surface, Hot |
| 36 | 2411-41 | 1 | Rod End-Ball Joint |
| 37 | 3256-25 | 2 | Washer-Flat |
| 38 | 321-5 | 1 | Screw-HH |
| 39 | 2412-102 | 1 | Clamp-R |
| 40 | 3256-3 | 1 | Washer-Flat |
| 41 | 3290-378 | 3 | Tie-Cable |



Traction Pedal Assembly

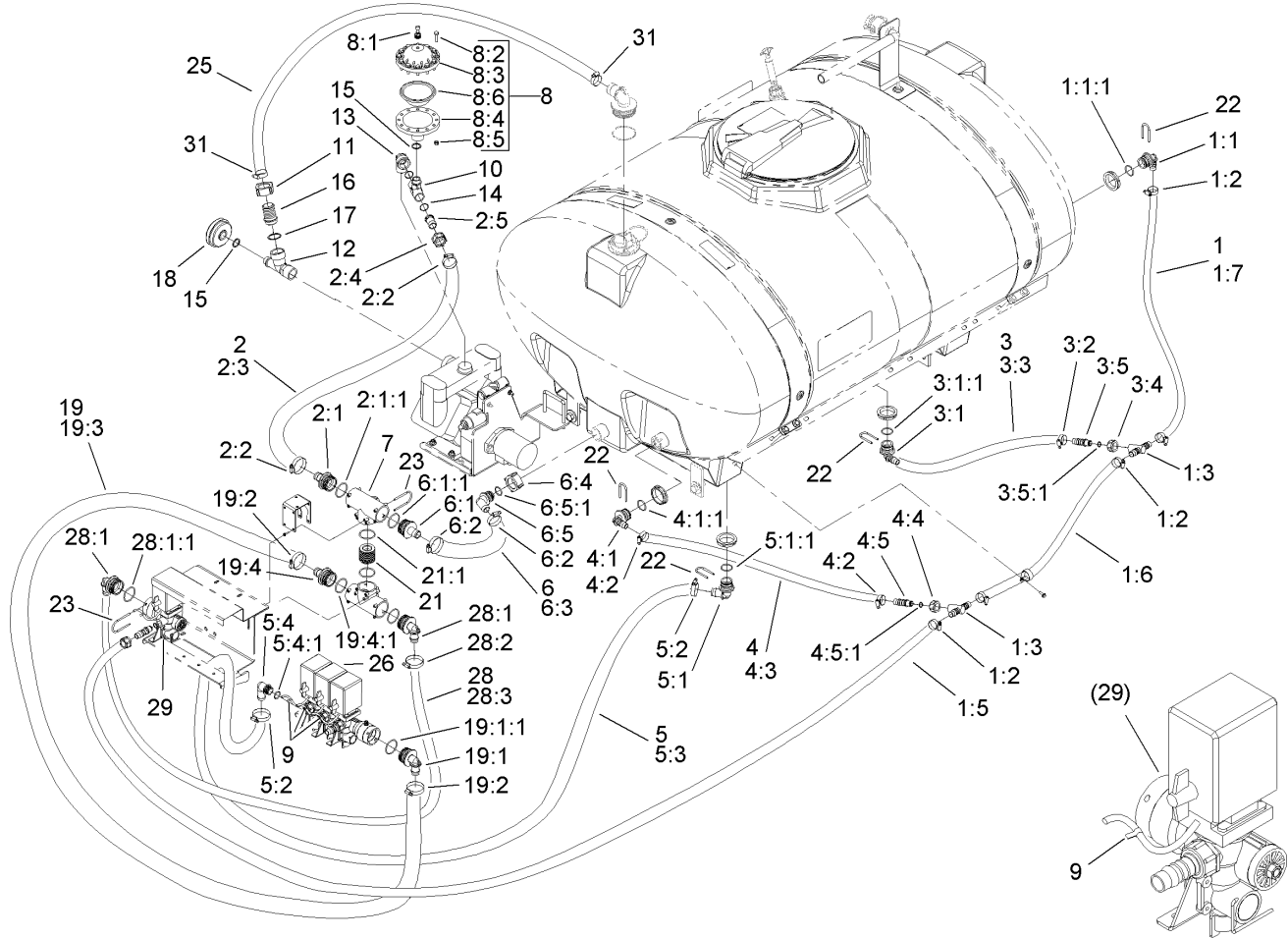
| Ref | Part No. | Qty. | Description | |
|-------|-------------|------|----------------------|--|
| 1 | 2411-41 | 1 | Rod End-Ball Joint | |
| 2 | 3272-7 | 2 | Pin-Cotter | |
| 3 | 92-0450-03 | 1 | Bracket-Pin | |
| 4 | 33093-00 | 2 | Washer-Flat | |
| 5 | 71-0450 | 1 | Abrasive-Pedal, Rear | |
| 6 | 71-0440 | 1 | Abrasive-Pedal | |
| 7 | 106-5247-03 | 1 | Traction Pedal ASM | |
| 7:1 | | 1 | Traction Pedal | |
| 7:1:6 | 106-5248 | 1 | Spacer | |
| 8 | 321-9 | 1 | Screw-HH | |
| 9 | 322-3 | 2 | Screw-HH | |
| 10 | 3253-4 | 2 | Washer-Lock | |
| 11 | 3256-23 | 2 | Washer-Flat | |
| 12 | 92-0448 | 1 | Pivot Pin ASM | |
| 13 | 3296-42 | 1 | Nut-Lock, NI | |
| 14 | 106-5233 | 1 | Cable-Traction | |
| 14:1 | 3220-1 | 2 | Nut-Jam | |
| 15 | 256-156 | 2 | Bushing-Flange | |



Internal Sprayer Component Assembly No. 1

| Ref | Part No. | Qty. | Description |
|-------|----------|------|---------------------------|
| ②1 | | 1 | Agitation Hose ASM |
| 1:1 | 106-4940 | 1 | Hosebarb-90 DEG |
| 1:1:1 | 100-6712 | 1 | O-Ring |
| 1:2 | 2412-129 | 5 | Clamp-Hose |
| 1:3 | 100-6984 | 2 | Tee |
| 1:5 | 106-4971 | 1 | Hose |
| 1:6 | 106-4972 | 1 | Hose |
| 1:7 | 106-4973 | 1 | Hose |
| ②2 | | 1 | Supply Hose ASM |
| 2:1 | 106-4932 | 1 | Hosebarb-Straight |
| 2:1:1 | 100-8637 | 1 | O-Ring |
| 2:2 | 2412-3 | 2 | Clamp-Hose |
| 2:3 | 106-4975 | 1 | Hose |
| 2:4 | 99-0769 | 1 | Nut |
| 2:5 | 99-0781 | 1 | Hosebarb |
| ②3 | | 1 | Middle Agitation Hose ASM |
| 3:1 | 106-4940 | 1 | Hosebarb-90 DEG |
| 3:1:1 | 100-6712 | 1 | O-Ring |
| 3:2 | 2412-129 | 2 | Clamp-Hose |
| 3:3 | 104-8704 | 1 | Hose |
| 3:4 | 99-0850 | 1 | Nut |
| 3:5 | 106-5112 | 1 | Hosebarb ASM |
| 3:5:1 | 100-6645 | 1 | O-Ring |
| ②4 | | 1 | Back Agitation Hose ASM |

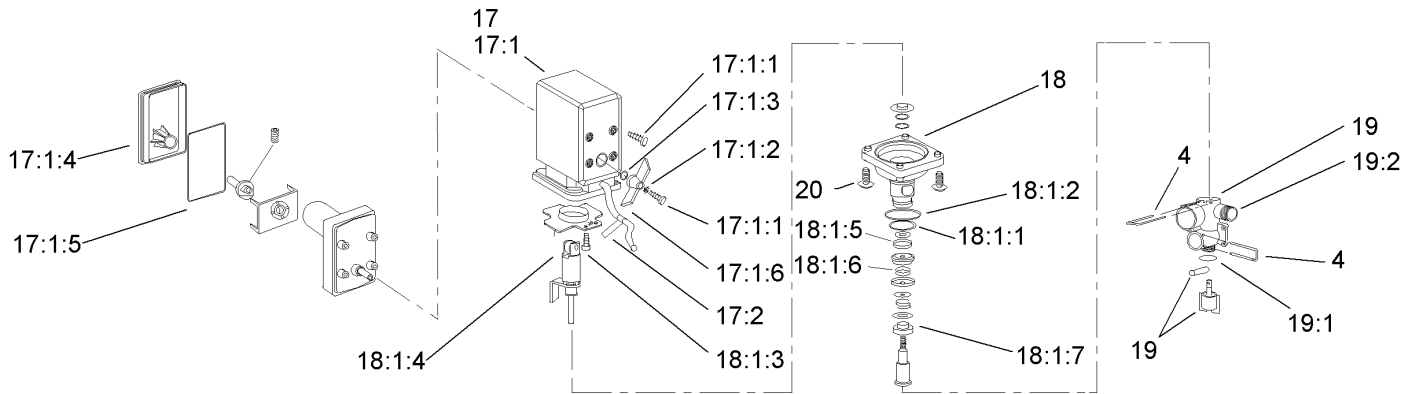
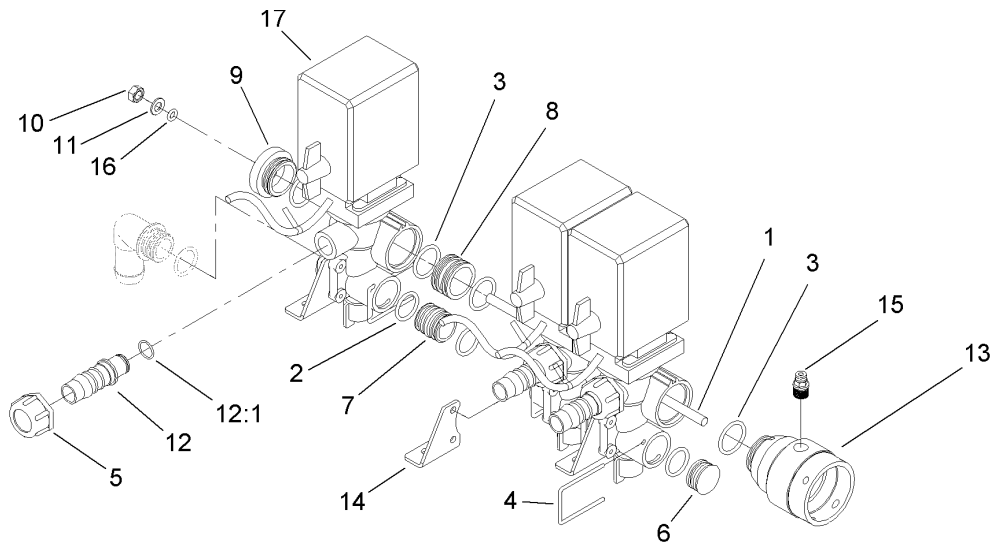
| Ref | Part No. | Qty. | Description |
|-------|----------|------|-------------------|
| 4:1 | 106-4940 | 1 | Hosebarb-90 DEG |
| 4:1:1 | 100-6712 | 1 | O-Ring |
| 4:2 | 2412-129 | 2 | Clamp-Hose |
| 4:3 | 106-4974 | 1 | Hose |
| 4:4 | 99-0850 | 1 | Nut |
| 4:5 | 106-5112 | 1 | Hosebarb ASM |
| 4:5:1 | 100-6645 | 1 | O-Ring |
| ②5 | | 1 | Bypass Hose ASM |
| 5:1 | 106-4945 | 1 | Elbow |
| 5:1:1 | 100-6712 | 1 | O-Ring |
| 5:2 | 2412-3 | 2 | Clamp-Hose |
| 5:3 | 106-4976 | 1 | Hose |
| 5:4 | 106-4948 | 1 | Hose Barb ASM |
| 5:4:1 | 100-6882 | 1 | O-Ring |
| ②6 | | 1 | Relief Hose ASM |
| 6:1 | 106-4932 | 1 | Hosebarb-Straight |
| 6:1:1 | 100-8637 | 1 | O-Ring |
| 6:2 | 2412-3 | 2 | Clamp-Hose |
| 6:3 | 107-2807 | 1 | Hose |
| 6:4 | 100-8678 | 1 | Nut |
| 6:5 | 106-4949 | 1 | Hosebarb |
| 6:5:1 | 100-6646 | 1 | O-Ring |
| 7 | 100-6704 | 2 | Tee |
| 8 | 100-6662 | 1 | Damper-Pressure |



Internal Sprayer Component Assembly No. 1 (continued)

| Ref | Part No. | Qty. | Description |
|--------|-----------|------|-------------------------------|
| 8:1 | 99-0895 | 1 | Valve For Air-Pressure Damper |
| 8:2 | 33114-030 | 12 | Screw-HH |
| 8:3 | 99-0896 | 1 | Upper Half-Damper, Pressure |
| 8:4 | 99-0898 | 1 | Lower Half-Damper, Pressure |
| 8:5 | 33014-00 | 12 | Nut-Hex |
| 8:6 | 99-0897 | 1 | Diaphragm F. Pressure Damper |
| 9 | 107-8738 | 4 | Decal-Fuse, 3 Amp |
| 10 | 100-8699 | 1 | Tee |
| 11 | 100-8678 | 1 | Nut |
| 12 | 100-8681 | 1 | Tee |
| 13 | 100-8698 | 1 | Elbow |
| 14 | 100-6655 | 1 | Gasket |
| 15 | 100-6656 | 2 | O-Ring |
| 16 | 100-8679 | 1 | Hosebarb |
| 17 | 100-8680 | 1 | Seal |
| 18 | 100-6660 | 1 | Suction Damper ASM |
| ● 19 | | 1 | Boom Supply Hose ASM |
| 19:1 | 106-4933 | 1 | Hosebarb ASM |
| 19:1:1 | 100-8637 | 1 | O-Ring |
| 19:2 | 2412-3 | 2 | Clamp-Hose |
| 19:3 | 106-4976 | 1 | Hose |
| 19:4 | 106-4932 | 1 | Hosebarb-Straight |
| 19:4:1 | 100-8637 | 1 | O-Ring |
| 21 | 106-4947 | 1 | Connector |

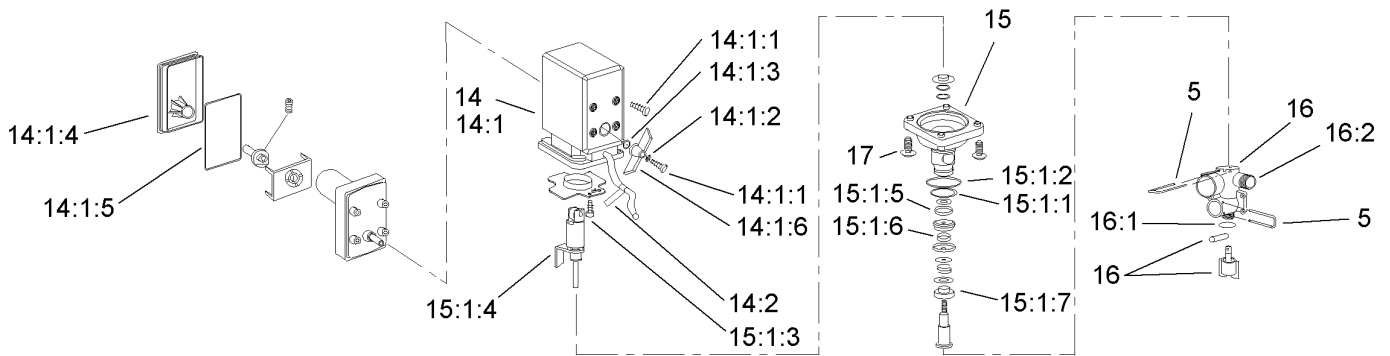
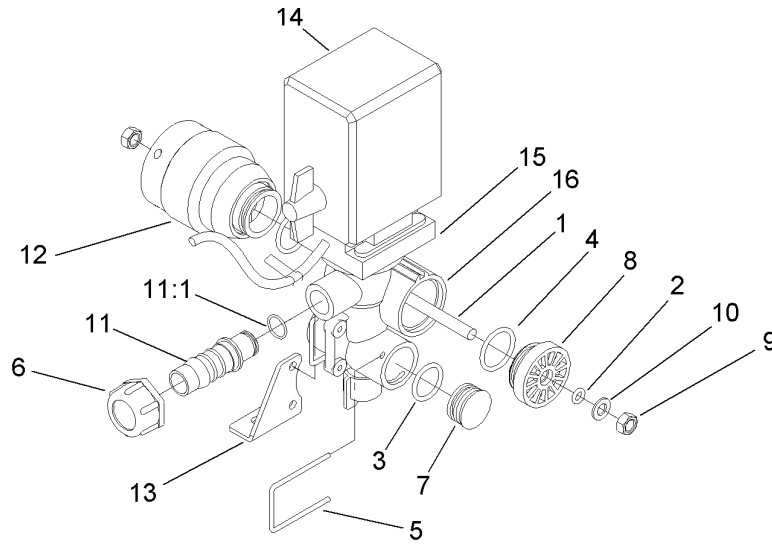
| Ref | Part No. | Qty. | Description |
|--------|----------|------|---------------------------|
| 21:1 | 100-8637 | 2 | O-Ring |
| 22 | 100-6708 | 4 | Fork |
| 23 | 100-8635 | 8 | Fork |
| 25 | 108-3686 | 1 | Hose-Suction |
| ● 26 | | 1 | Valve Booms |
| ● 28 | | 1 | Agitation Supply Hose ASM |
| 28:1 | 106-4933 | 2 | Hosebarb ASM |
| 28:1:1 | 100-8637 | 1 | O-Ring |
| 28:2 | 2412-3 | 2 | Clamp-Hose |
| 28:3 | 106-4978 | 1 | Hose |
| ● 29 | | 1 | Valve Agitation ASM |
| 31 | 41327 | 2 | Clamp-Hose |



Valve Boom Assembly

| Ref | Part No. | Qty. | Description |
|--------|----------|------|--------------------------|
| 1 | 106-1213 | 1 | Rod-Control, Spray |
| 2 | 100-6882 | 4 | O-Ring |
| 3 | 100-6646 | 7 | O-Ring |
| 4 | 100-6885 | 6 | Fork-Valve, Boom |
| 5 | 99-0850 | 3 | Nut |
| 6 | 100-6891 | 1 | Cap-End |
| 7 | 100-6890 | 2 | Joiner-Bypass, Boom |
| 8 | 100-6896 | 2 | Joiner-Valve, Boom |
| 9 | 100-6915 | 1 | Cover-End |
| 10 | 100-6894 | 1 | Nut |
| 11 | 100-6634 | 1 | Washer |
| 12 | 106-5112 | 3 | Hosebarb ASM |
| 12:1 | 100-6645 | 1 | O-Ring |
| 13 | 106-1214 | 1 | Connector-Control, Spray |
| 14 | 100-6760 | 3 | Bracket-Valve, Section |
| 15 | 100-8674 | 1 | Coupler-Tube |
| 16 | 100-6887 | 1 | O-Ring |
| 17 | 108-3257 | 3 | Boom Motor Valve ASM |
| 17:1 | 108-3340 | 1 | Motor-Valve, Boom |
| 17:1:1 | 100-6876 | 1 | Screw |
| 17:1:2 | 100-6877 | 1 | Washer-Lock |
| 17:1:3 | 100-6880 | 1 | O-Ring |
| 17:1:4 | 100-6874 | 1 | Cover-Valve, Boom |
| 17:1:5 | 100-6912 | 1 | Cover-Seal |

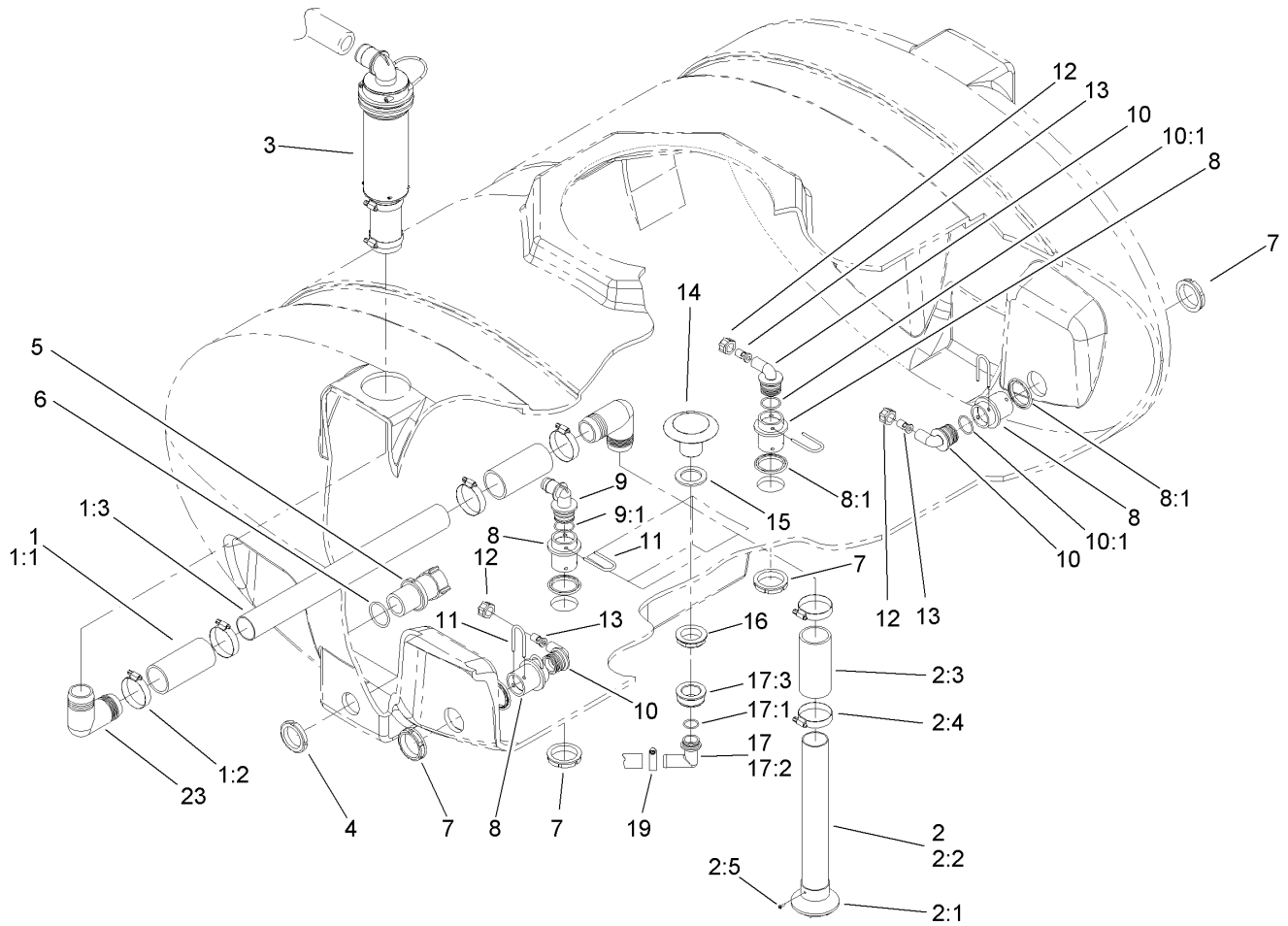
| Ref | Part No. | Qty. | Description |
|--------|----------|------|-----------------------------|
| 17:1:6 | 100-6875 | 1 | Handgrip-Valve, Boom |
| 17:2 | 107-8738 | 1 | Decal-Fuse, 3 Amp |
| 18 | 100-6889 | 3 | Section-Spindle, Boom Valve |
| 18:1 | 100-6883 | 1 | Seal Kit Section Valve |
| 18:1:1 | 100-8653 | 1 | O-Ring |
| 18:1:2 | 100-6882 | 5 | O-Ring |
| 18:1:3 | 100-6911 | 1 | Pin-Roller |
| 18:1:4 | 100-6910 | 1 | Bearing-Roller |
| 18:1:5 | 100-6879 | 1 | O-Ring |
| 18:1:6 | 100-6878 | 1 | O-Ring |
| 18:1:7 | 100-6881 | 1 | Cone-Stem, Boom Valve |
| 19 | 100-6888 | 3 | Manifold-Valve, Boom |
| 19:1 | 100-6887 | 1 | O-Ring |
| 19:2 | 106-5151 | 1 | Manifold-Lower |
| 20 | 100-6917 | 12 | Screw-Plastic |



Valve Agitation Assembly

| Ref | Part No. | Qty. | Description |
|--------|----------|------|-----------------------------|
| 1 | 104-8907 | 1 | Rod-Manifold |
| 2 | 100-6887 | 1 | O-Ring |
| 3 | 100-6882 | 2 | O-Ring |
| 4 | 100-6646 | 2 | O-Ring |
| 5 | 100-6885 | 2 | Fork-Valve, Boom |
| 6 | 99-0850 | 1 | Nut |
| 7 | 100-6891 | 2 | Cap-End |
| 8 | 100-6915 | 1 | Cover-End |
| 9 | 100-6894 | 1 | Nut |
| 10 | 100-6634 | 1 | Washer |
| 11 | 106-5112 | 1 | Hosebarb ASM |
| 11:1 | 100-6645 | 1 | O-Ring |
| 12 | 106-1214 | 1 | Connector-Control, Spray |
| 13 | 100-6760 | 1 | Bracket-Valve, Section |
| 14 | 108-3257 | 1 | Boom Motor Valve ASM |
| 14:1 | 108-3340 | 1 | Motor-Valve, Boom |
| 14:1:1 | 100-6876 | 1 | Screw |
| 14:1:2 | 100-6877 | 1 | Washer-Lock |
| 14:1:3 | 100-6880 | 1 | O-Ring |
| 14:1:4 | 100-6874 | 1 | Cover-Valve, Boom |
| 14:1:5 | 100-6912 | 1 | Cover-Seal |
| 14:1:6 | 100-6875 | 1 | Handgrip-Valve, Boom |
| 14:2 | 107-8738 | 1 | Decal-Fuse, 3 Amp |
| 15 | 100-6889 | 1 | Section-Spindle, Boom Valve |

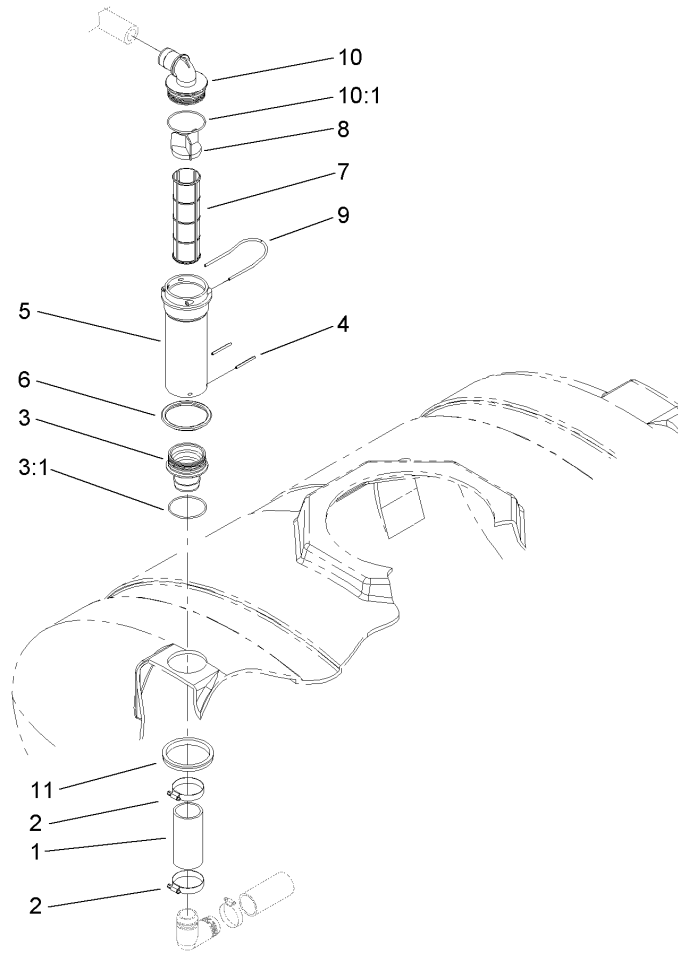
| Ref | Part No. | Qty. | Description |
|--------|----------|------|------------------------|
| ●15:1 | 100-6883 | 1 | Seal Kit Section Valve |
| 15:1:1 | 100-8653 | 1 | O-Ring |
| 15:1:2 | 100-6882 | 5 | O-Ring |
| 15:1:3 | 100-6911 | 1 | Pin-Roller |
| 15:1:4 | 100-6910 | 1 | Bearing-Roller |
| 15:1:5 | 100-6879 | 1 | O-Ring |
| 15:1:6 | 100-6878 | 1 | O-Ring |
| 15:1:7 | 100-6881 | 1 | Cone-Stem, Boom Valve |
| 16 | 100-6888 | 1 | Manifold-Valve, Boom |
| 16:1 | 100-6887 | 1 | O-Ring |
| 16:2 | 106-5151 | 1 | Manifold-Lower |
| 17 | 100-6917 | 4 | Screw-Plastic |
| ●18 | 100-7045 | 1 | Plug |



Internal Sprayer Component Assembly No. 2

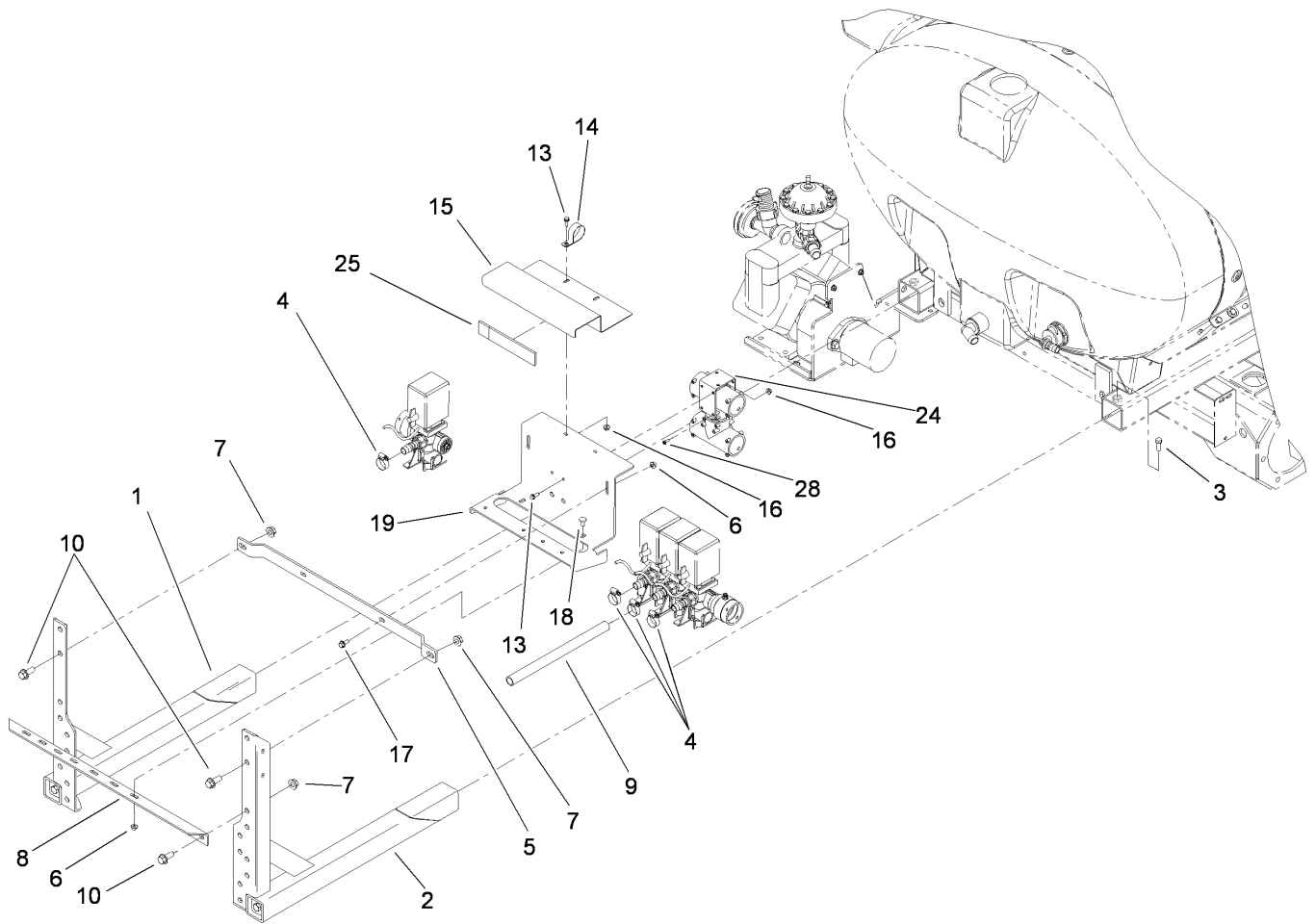
| Ref | Part No. | Qty. | Description |
|------|----------|------|-----------------------|
| 1 | 104-9150 | 1 | Tube-Suction, Middle |
| 1:1 | 100-8649 | 2 | Hose-Suction |
| 1:2 | 26392 | 4 | Clamp-Hose |
| 1:3 | 106-1215 | 1 | Tube-Suction |
| 2 | 104-9151 | 1 | Tube-Suction, Lower |
| 2:1 | 100-6714 | 1 | Foot-Tube, Suction |
| 2:2 | 106-1216 | 1 | Tube-Suction |
| 2:3 | 100-8649 | 1 | Hose-Suction |
| 2:4 | 26392 | 2 | Clamp-Hose |
| 2:5 | 108-3270 | 1 | Screw-TAP |
| 3 | 104-9154 | 1 | Filter ASM |
| 4 | 99-0761 | 1 | Ringnut |
| 5 | 100-6820 | 1 | Valve-Safety, 225 Psi |
| 6 | 100-6652 | 1 | Gasket |
| 7 | 100-6713 | 4 | Nut-Bulkhead |
| 8 | 106-4896 | 4 | Fitting-Bulkhead |
| 8:1 | 100-6710 | 1 | Gasket-Bulkhead |
| 9 | 106-4945 | 1 | Elbow |
| 9:1 | 100-6712 | 1 | O-Ring |
| 10 | 106-4944 | 3 | Fitting-90 DEG |
| 10:1 | 100-6712 | 1 | O-Ring |
| 11 | 100-6708 | 4 | Fork |
| 12 | 99-0766 | 3 | Nut |
| 13 | 106-1218 | 3 | Nozzle |

| Ref | Part No. | Qty. | Description |
|------|----------|------|-------------------|
| 14 | 110-5166 | 1 | Outlet-Drain |
| 15 | 110-5246 | 1 | Seal-Plastic |
| 16 | 110-5237 | 1 | Nut-Ring, Plastic |
| 17 | 112-7904 | 1 | 90 DEG Elbow ASM |
| 17:1 | 110-5217 | 1 | Elbow-90 DEG |
| 17:2 | 110-5239 | 1 | O-Ring |
| 17:3 | 110-5247 | 1 | Nut-Fly |
| 19 | 2412-34 | 1 | Clamp-Hose |
| 23 | 104-9095 | 2 | Elbow |



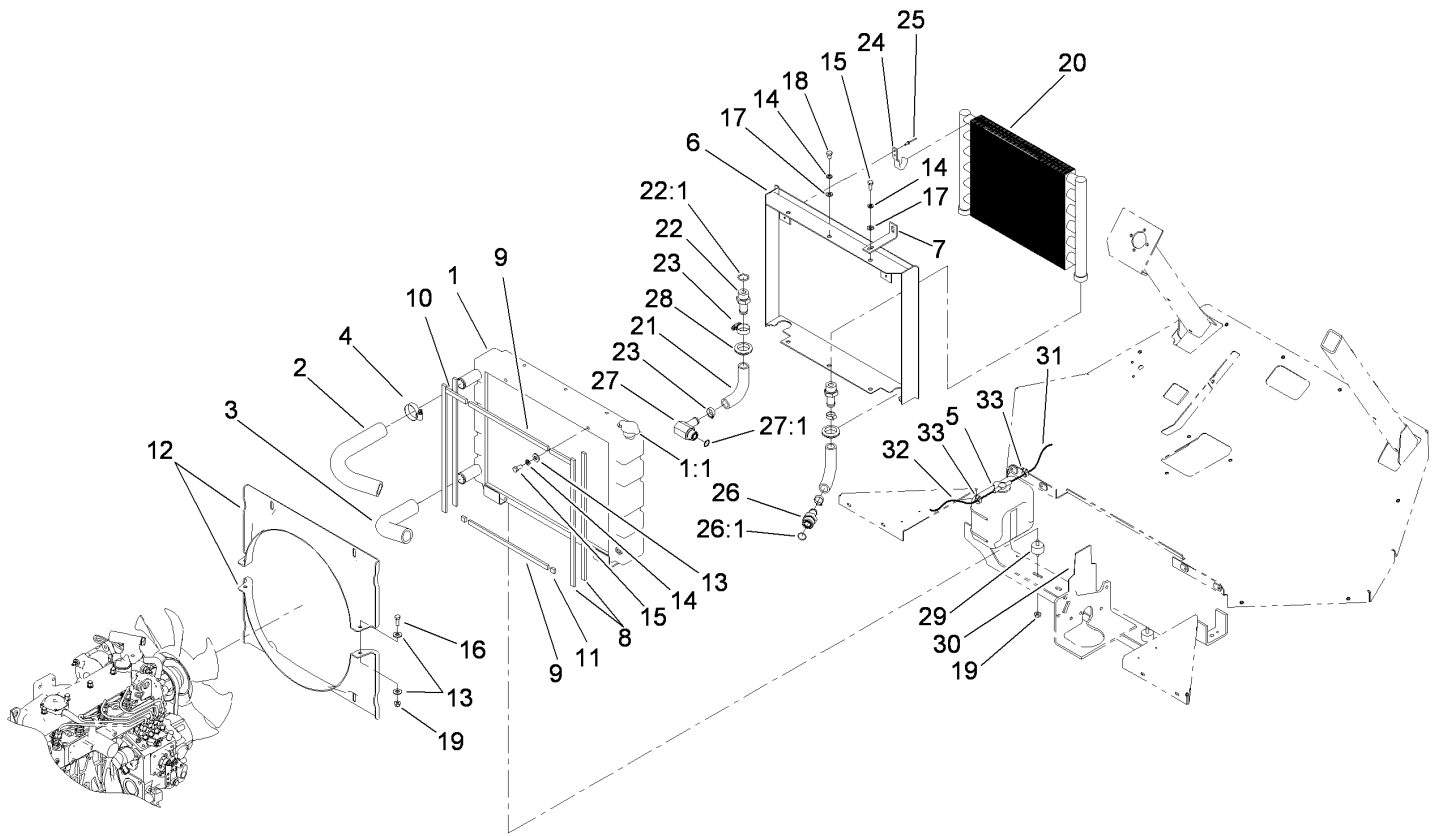
Filter Assembly No. 104-9154

| Ref | Part No. | Qty. | Description | | | | |
|------|----------|------|-------------------------|--|--|--|--|
| 1 | 100-8649 | 1 | Hose-Suction | | | | |
| 2 | 26392 | 2 | Clamp-Hose | | | | |
| 3 | 106-4942 | 1 | Hosebarb-Straight | | | | |
| 3:1 | 100-6989 | 1 | O-Ring | | | | |
| 4 | 100-8644 | 2 | Pin-Expansion | | | | |
| 5 | 100-8643 | 1 | Housing-Filter | | | | |
| 6 | 100-8646 | 1 | Gasket-Bulkhead | | | | |
| 7 | 100-8642 | 1 | Screen-Suction, Mesh 50 | | | | |
| 8 | 100-8641 | 1 | Vane-Screen | | | | |
| 9 | 100-8636 | 1 | Fork-Special | | | | |
| 10 | 106-4952 | 1 | Hosebarb-90 DEG | | | | |
| 10:1 | 100-6989 | 1 | O-Ring | | | | |
| 11 | 100-8647 | 1 | Nut-Bulkhead | | | | |



Sprayer Component Assembly

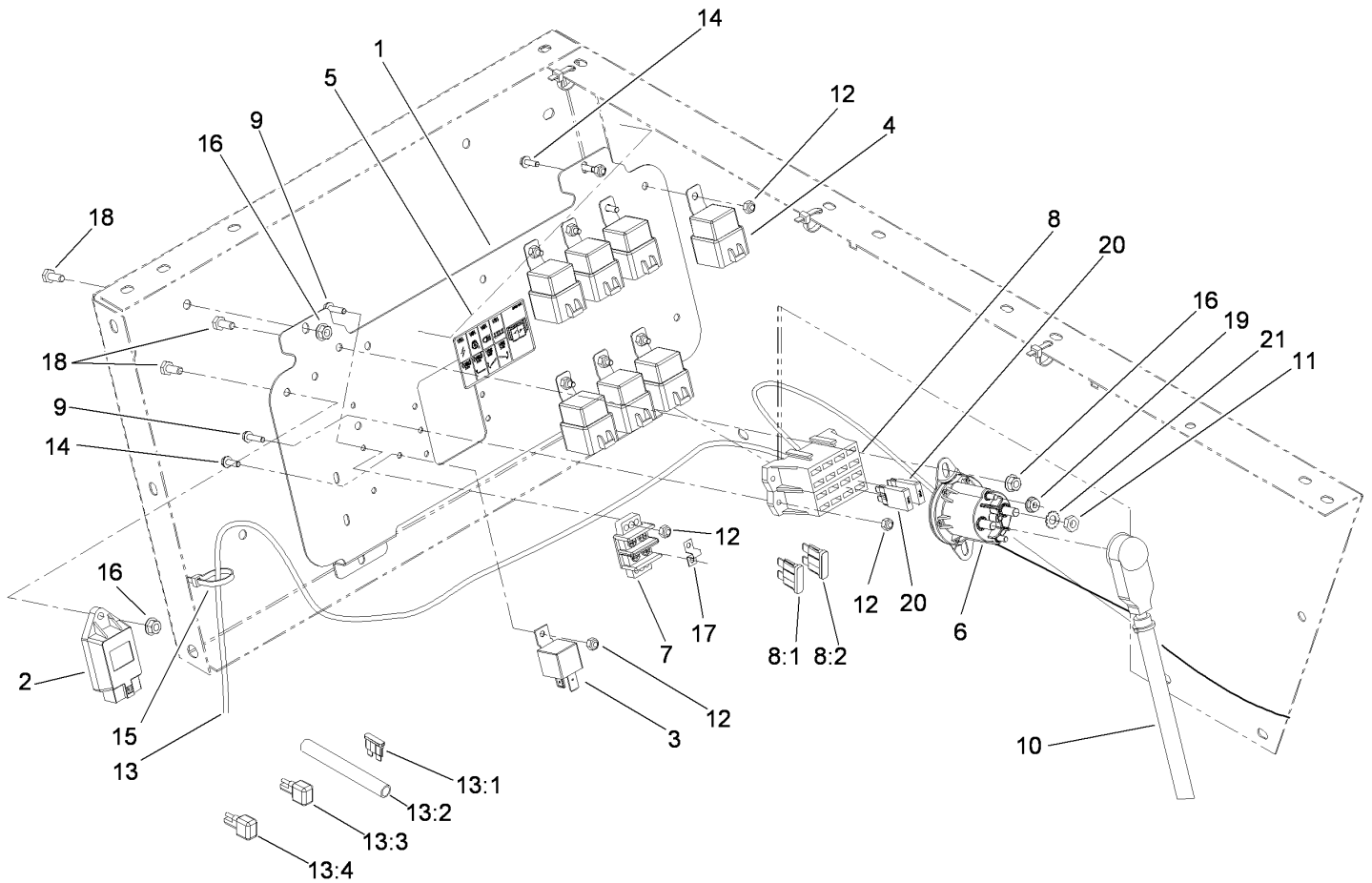
| Ref | Part No. | Qty. | Description |
|-----|-------------|------|------------------------|
| ②1 | | 1 | LH Boom Mount ASM |
| ②2 | | 1 | RH Boom Mount ASM |
| 3 | 325-4 | 4 | Screw-HH |
| 4 | 2412-129 | 4 | Clamp-Hose |
| 5 | 104-9073-03 | 1 | Bar-Mounting, Valve |
| 6 | 32128-20 | 8 | Nut-HF |
| 7 | 108-3745 | 4 | Nut-HF, Whiz |
| 8 | 42225-03 | 1 | Angle-Support, Cross |
| 9 | 117-5806 | 1 | Hose-Jumper |
| 10 | 110-5057 | 4 | Capscrew-HHF |
| 13 | 3234-4 | 4 | Screw-HHF |
| 14 | 2412-147 | 1 | Clamp |
| 15 | 108-3711-03 | 1 | Bracket-Support, Valve |
| 16 | 32128-33 | 4 | Nut-HF |
| 17 | 3234-5 | 6 | Screw-HHF |
| 18 | 3230-1 | 2 | Bolt-CARR |
| 19 | 108-3712-03 | 1 | Bracket-Valve, Boom |
| 24 | 100-8478 | 1 | Bracket-Tee |
| 25 | 100-8524 | 1 | Strip-Foam |
| 28 | 32144-32 | 4 | Screw |
| | | | |
| | | | |
| | | | |
| | | | |



Oil Cooler and Radiator Assembly

| Ref | Part No. | Qty. | Description |
|------|-------------|------|----------------------|
| 1 | 106-5291 | 1 | Radiator |
| 1:1 | 114-9593 | 1 | Cap-Radiator |
| 2 | 106-5239 | 1 | Hose-Radiator, Upper |
| 3 | 106-5240 | 1 | Hose-Radiator, Lower |
| 4 | 2412-111 | 4 | Clamp |
| 5 | 104-9318 | 1 | Overflow Bottle ASM |
| 6 | 106-5180-03 | 1 | Radiator Shroud ASM |
| 7 | 106-5185 | 2 | Brace-Radiator |
| 8 | 107-8675 | 4 | Seal-Foam |
| 9 | 107-8676 | 2 | Seal-Foam |
| 10 | 107-8677 | 2 | Seal-Foam |
| 11 | 107-8678 | 2 | Seal-Foam |
| 12 | 106-5290 | 2 | Shroud-Fan |
| 13 | 3256-56 | 8 | Washer-Flat |
| 14 | 3253-4 | 10 | Washer-Lock |
| 15 | 322-3 | 6 | Screw-HH |
| 16 | 322-4 | 2 | Screw-HH |
| 17 | 3256-23 | 6 | Washer-Flat |
| 18 | 322-1 | 4 | Screw-HH |
| 19 | 32128-20 | 4 | Nut-HF |
| 20 | 94-7007 | 1 | Oil Cooler ASM |
| 21 | 106-5293 | 2 | Hose-Cooler, Oil |
| 22 | 112-7835 | 2 | Fitting-Straight |
| 22:1 | 237-81 | 1 | O-Ring |

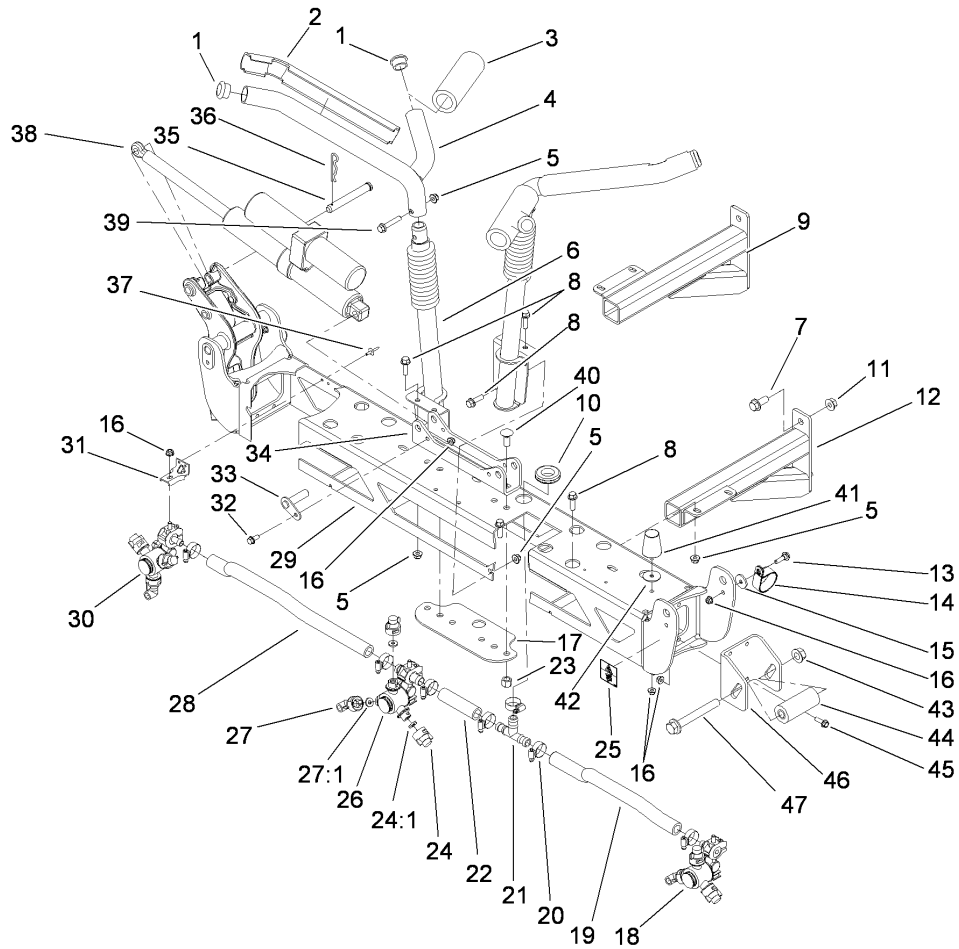
| Ref | Part No. | Qty. | Description |
|------|-------------|------|--------------------|
| 23 | 2412-129 | 4 | Clamp-Hose |
| 24 | 75-0930 | 2 | Hook-Mount, Cooler |
| 25 | 3269-15 | 4 | Rivet |
| 26 | 107-8652 | 1 | Fitting-Straight |
| 26:1 | 237-58 | 1 | O-Ring |
| 27 | 107-8654 | 1 | Fitting-Elbow, 90 |
| 27:1 | 237-65 | 1 | O-Ring |
| 28 | 240-3 | 2 | Grommet-Rubber |
| 29 | 62-5480 | 2 | Isolater-Seat |
| 30 | 110-5091-03 | 1 | Bracket-Reservoir |
| 31 | 106-1126 | 1 | Hose-Fuel |
| 32 | 109-0309 | 1 | Hose-Fuel |
| 33 | 2412-108 | 3 | Clamp-Worm |



Electrical Panel Assembly

| Ref | Part No. | Qty. | Description |
|------|-------------|------|-------------------------|
| 1 | 108-3286-01 | 1 | Panel-Electrical |
| 2 | 98-7611 | 1 | Controller-Glow |
| 3 | 99-7435 | 1 | Relay-Power |
| 4 | 99-7430 | 7 | Relay |
| 5 | 108-3293 | 1 | Decal-Block, Fuse |
| 6 | 114-3315 | 1 | Solenoid-12 Vdc |
| 7 | 42862 | 1 | Block-Terminal, Ground |
| 8 | 114-9700 | 1 | Harness-Wire |
| 8:1 | 218-578 | 2 | Fuse-10 Amp |
| 8:2 | 109355 | 2 | Fuse-15 Amp |
| 9 | 32105-13 | 6 | Screw-HWH |
| 10 | 94-7092 | 1 | Cable-Battery, Positive |
| 11 | 3220-2 | 2 | Nut-Jam |
| 12 | 3296-2 | 14 | Nut-Lock, NI |
| 13 | 114-3388 | 1 | Harness-Wire, Sprayer |
| 13:1 | 107-8745 | 4 | Fuse-Blade, 3 Amp |
| 13:2 | 106-4985 | 1 | Tube-Pressure |
| 13:3 | 108-9493 | 2 | Diode-Tvs |
| 13:4 | 100-4918 | 3 | Diode |
| 14 | 3290-321 | 8 | Screw-HWH |
| 15 | 3290-379 | 1 | Tie-Cable |
| 16 | 32128-33 | 5 | Nut-HF |
| 17 | 42863 | 1 | Strip-Jumper |
| 18 | 321-3 | 5 | Screw-HH |

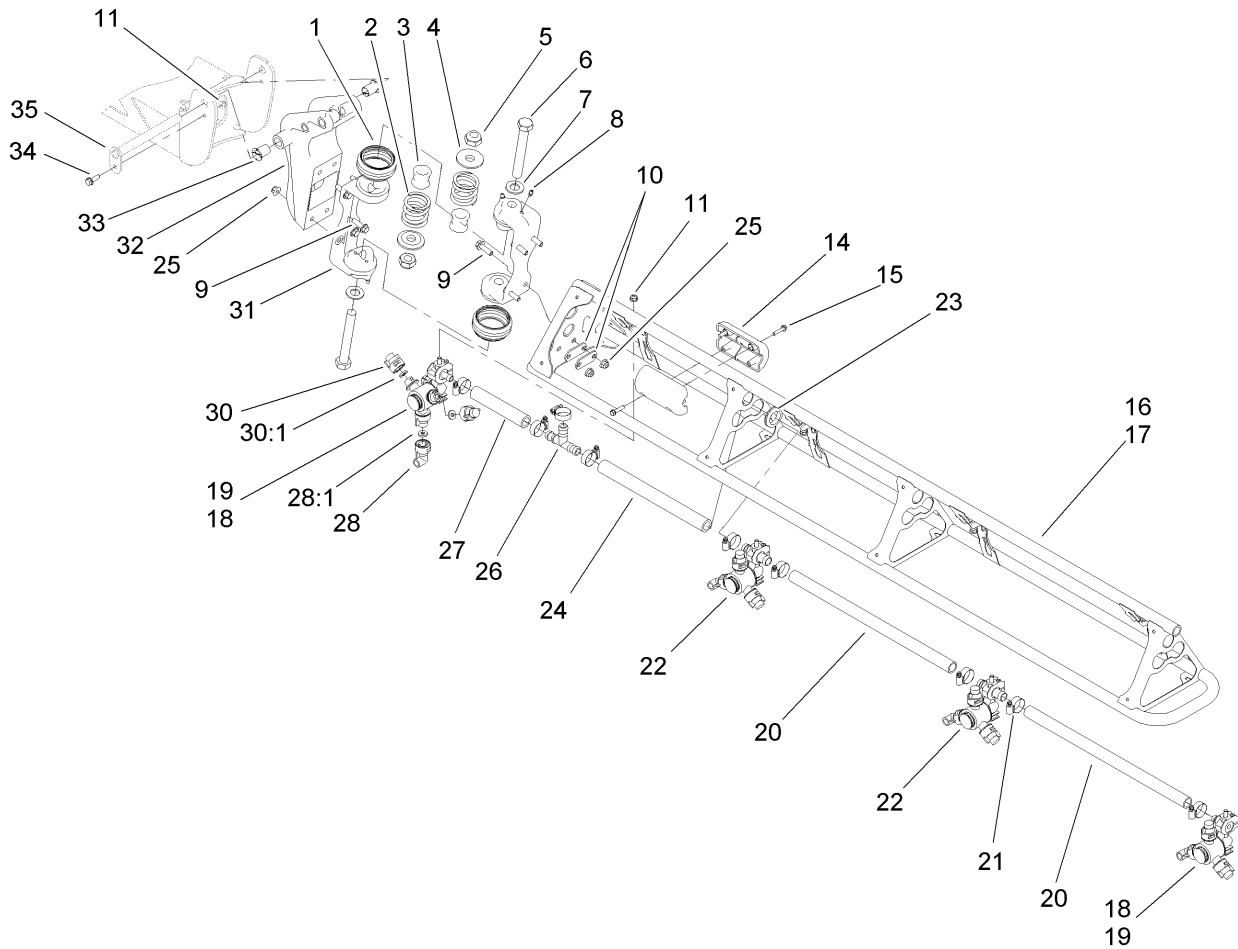
| Ref | Part No. | Qty. | Description |
|-----|----------|------|----------------------|
| 19 | 32149-8 | 2 | Nut-Keps |
| 20 | 108-3736 | 2 | Breaker-Circuit, 30A |
| 21 | 3255-8 | 2 | Washer-Lock |



Center Boom Assembly

| Ref | Part No. | Qty. | Description |
|-----|-------------|------|--------------------------|
| 1 | 108-3489 | 4 | Cap-Tube |
| 2 | 108-3495 | 2 | Cover-Slide |
| 3 | 108-3457 | 2 | Spacer |
| 4 | 108-3476-03 | 2 | Upper Cradle ASM |
| 5 | 104-8301 | 12 | Nut-Flange, NI |
| 6 | 108-3472-03 | 2 | Lower Cradle ASM |
| 7 | 110-5057 | 4 | Capscrew-HHF |
| 8 | 110-5050 | 10 | Screw-HHF |
| 9 | 108-3408-03 | 1 | Frame-Mount, Boom (LH) |
| 10 | 108-3723 | 1 | Grommet |
| 11 | 108-3745 | 4 | Nut-HF, Whiz |
| 12 | 108-3409-03 | 1 | Frame-Mount, Boom (RH) |
| 13 | 108-3744 | 2 | Screw-Shoulder |
| 14 | 114-9566 | 2 | Clamp-R |
| 15 | 108-3743 | 2 | Washer |
| 16 | 104-8300 | 17 | Nut-Flange, NI |
| 17 | 108-3469-03 | 1 | Plate-Washer |
| 18 | 108-3726 | 1 | Body-Turret, Single (RH) |
| 19 | 108-3718 | 1 | Hose-Boom, Center (RH) |
| 20 | 2412-129 | 7 | Clamp-Hose |
| 21 | 108-3439 | 1 | Tee |
| 22 | 108-3717 | 1 | Hose-Boom |
| 23 | 3296-23 | 2 | Nut-Lock, NI |
| 24 | 95-9187 | 6 | Cap-Blank |

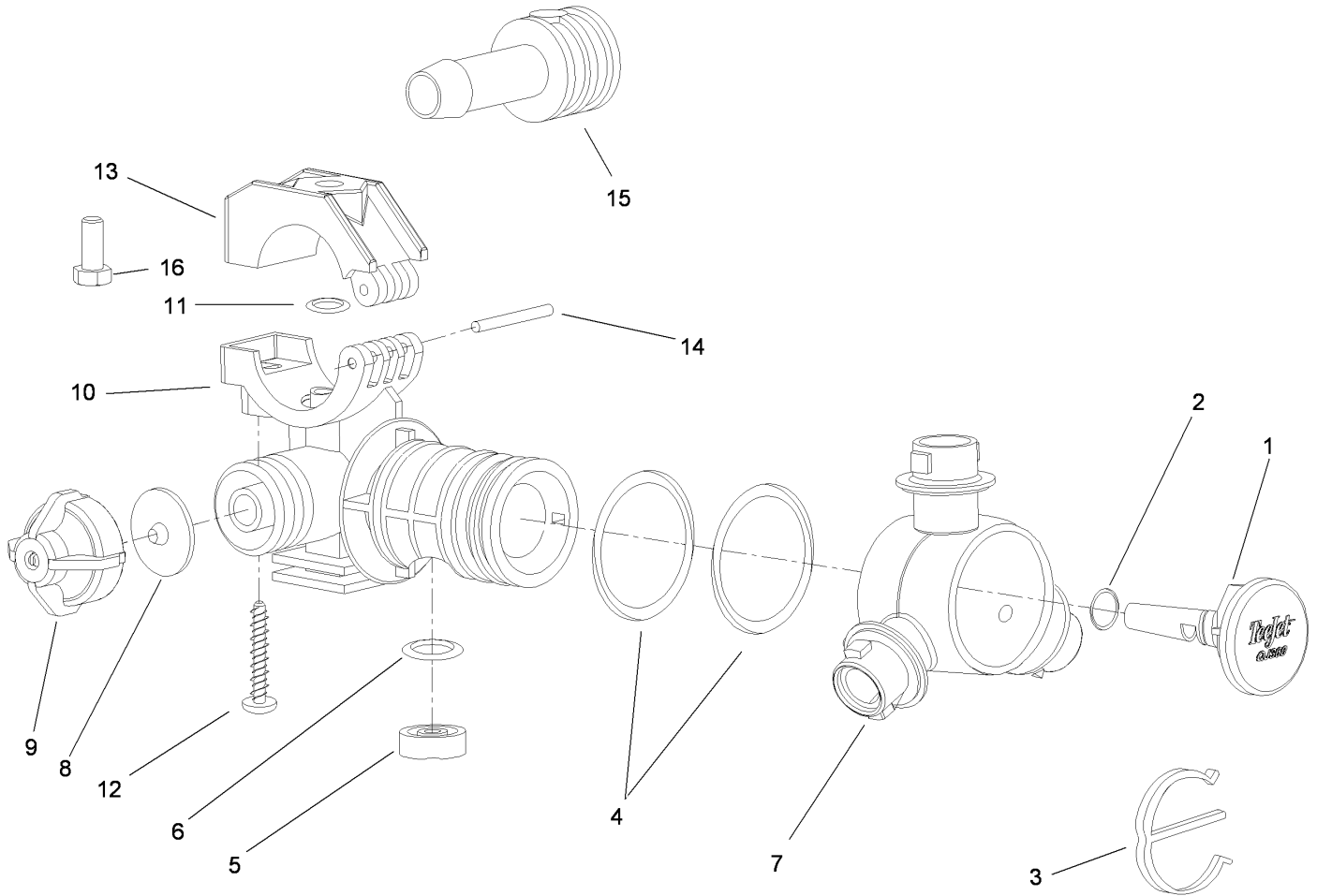
| Ref | Part No. | Qty. | Description |
|------|-------------|------|--------------------------|
| 24:1 | 40998 | 1 | Seat-Gasket |
| 25 | 114-9576 | 2 | Decal-Pinchpoint |
| 26 | 108-3727 | 1 | Body-Turret, Double |
| 27 | 95-9186 | 3 | Cap |
| 27:1 | 40998 | 1 | Seat-Gasket |
| 28 | 108-3735 | 1 | Hose-Boom, Center (LH) |
| 29 | 114-9579-03 | 1 | Frame ASM |
| 30 | 108-3725 | 1 | Body-Turret, Single (LH) |
| 31 | 107-8775 | 3 | Bracket-Mount, Nozzle |
| 32 | 110-5053 | 2 | Screw-Flange |
| 33 | 112-7884 | 2 | Pivot Pin ASM |
| 34 | 114-9560-03 | 1 | Strap-Clevis |
| 35 | 108-3436 | 2 | Pin-Clevis |
| 36 | 3290-468 | 2 | Pin-Cotter |
| 37 | 3269-18 | 6 | Rivet-Pop |
| 38 | 108-3438 | 2 | Actuator |
| 39 | 108-3742 | 2 | Screw-HHF |
| 40 | 110-5067 | 2 | Screw-CARR |
| 41 | 110-5070 | 2 | Bumper-Neoprene |
| 42 | 3256-68 | 2 | Washer-Flat |
| 43 | 32128-54 | 2 | Nut-HF |
| 44 | 112-7881 | 2 | Bumper |
| 45 | 108-3748 | 8 | Screw-HHF |
| 46 | 112-7872-03 | 2 | Bracket-Hard Stop |



Left and Right Hand Boom Assembly

| Ref | Part No. | Qty. | Description |
|-----|-------------|------|--------------------------|
| 1 | 108-3459 | 4 | Boot-Hinge |
| 2 | 108-3440 | 4 | Spring-Breakaway, Boom |
| 3 | 108-3730 | 4 | Tube-Hinge |
| 4 | 108-3444 | 4 | Retainer-Spring |
| 5 | 3296-15 | 4 | Nut-Lock, NI |
| 6 | 108-3738 | 4 | Screw-HH |
| 7 | 110-5054 | 4 | Washer-Flat |
| 8 | 302-5 | 8 | Fitting-Grease |
| 9 | 110-5050 | 16 | Screw-HHF |
| 10 | 108-3605 | 8 | Plate-Backing |
| 11 | 104-8300 | 10 | Nut-Flange, NI |
| 14 | 108-3429 | 4 | Block-Slide |
| 15 | 108-3746 | 8 | Screw-Plastite |
| 16 | 108-3524-03 | 1 | RH Boom ASM |
| 17 | 108-3525-03 | 1 | LH Boom ASM |
| 18 | 108-3726 | 2 | Body-Turret, Single (RH) |
| 19 | 108-3725 | 2 | Body-Turret, Single (LH) |
| 20 | 40506 | 4 | Hose-Jumper |
| 21 | 2412-129 | 18 | Clamp-Hose |
| 22 | 108-3727 | 4 | Body-Turret, Double |
| 23 | 240-3 | 4 | Grommet-Rubber |
| 24 | 108-3721 | 2 | Hose-Boom |
| 25 | 104-8301 | 16 | Nut-Flange, NI |
| 26 | 108-3439 | 2 | Tee |

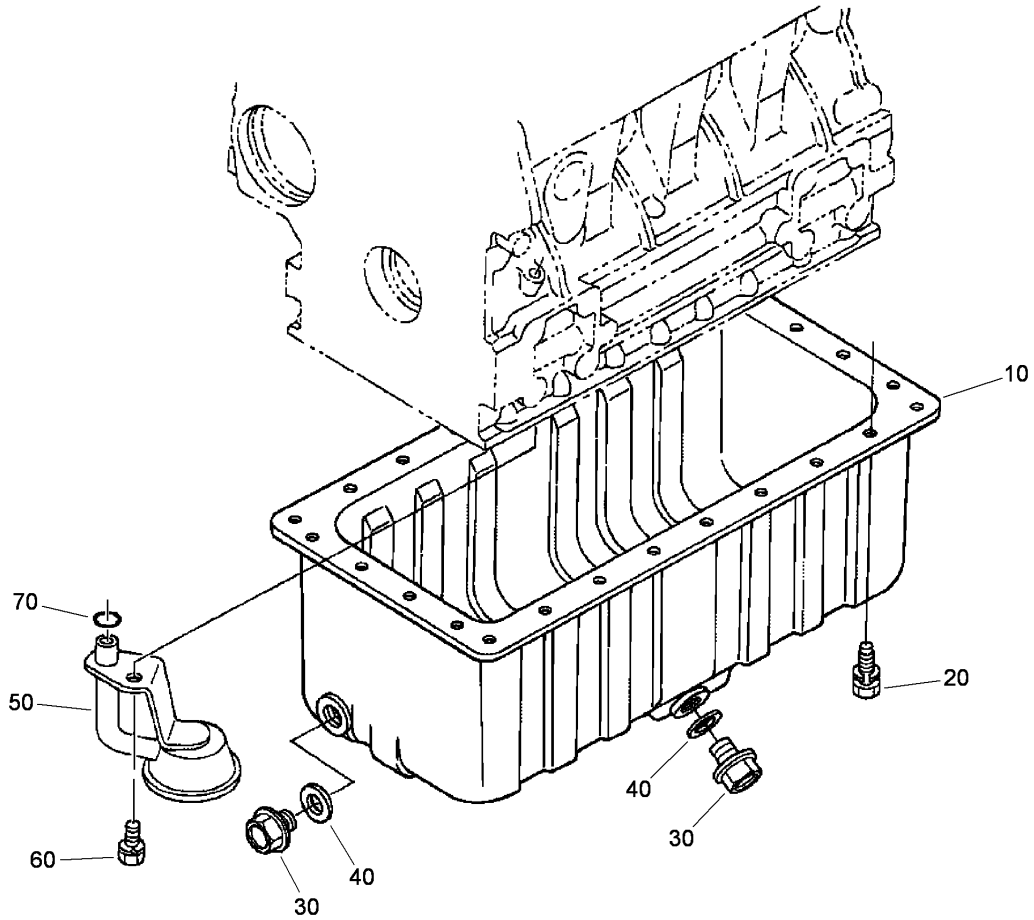
| Ref | Part No. | Qty. | Description |
|------|-------------|------|--------------------|
| 27 | 108-3728 | 2 | Hose-Boom |
| 28 | 95-9186 | 8 | Cap |
| 28:1 | 40998 | 1 | Seat-Gasket |
| 30 | 95-9187 | 16 | Cap-Blank |
| 30:1 | 40998 | 1 | Seat-Gasket |
| 31 | 108-3471-03 | 4 | Hinge |
| 32 | 108-3600-03 | 2 | Bracket-Pivot |
| 33 | 100-8541 | 4 | Bushing-A Arm |
| 34 | 108-3748 | 2 | Screw-HHF |
| 35 | 108-3419 | 2 | Pivot Pin ASM |
| 36 | 107-8650 | 2 | Conduit-Convoluted |
| 37 | 3290-378 | 4 | Tie-Cable |



RH Single Body Turret Assembly No. 108-3726

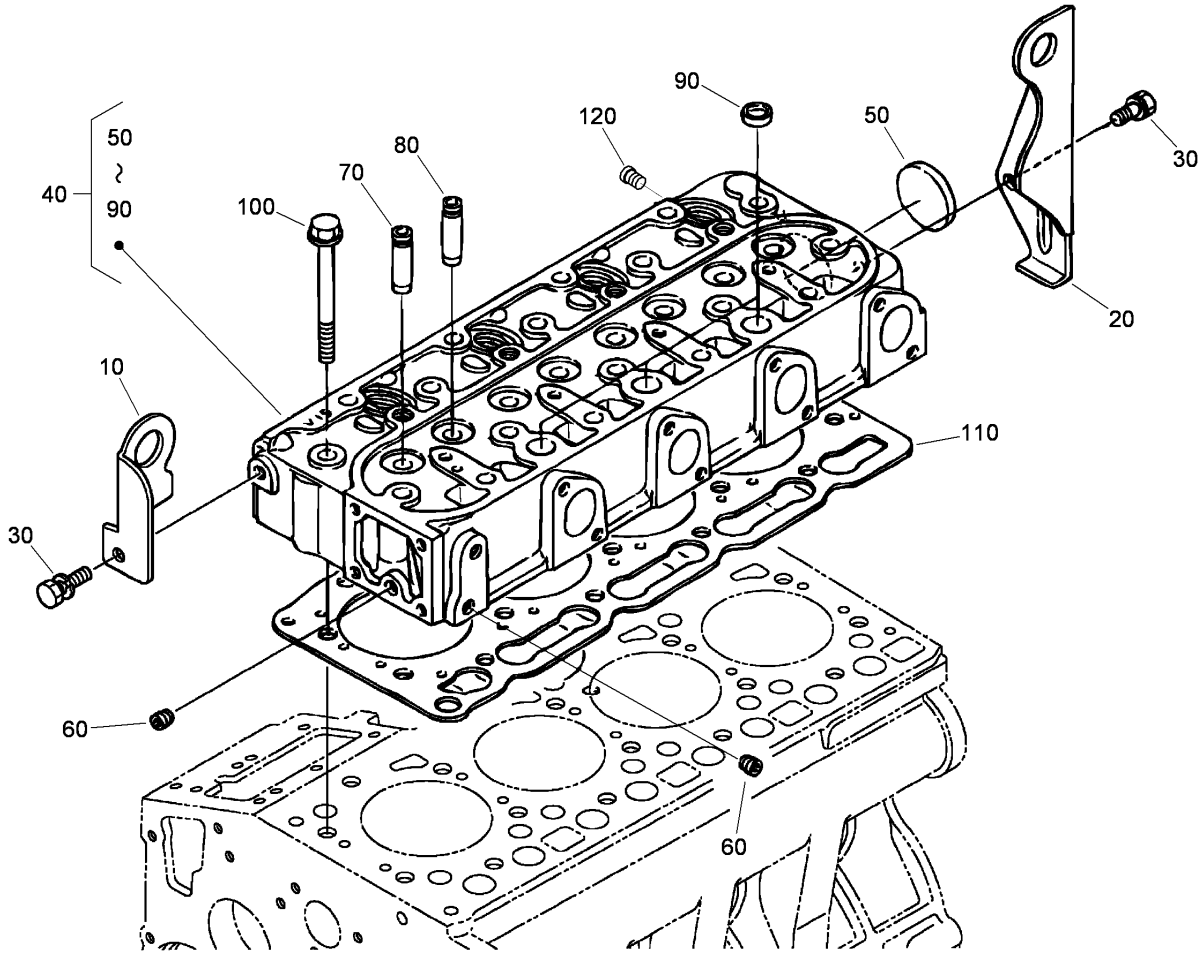
| Ref | Part No. | Qty. | Description |
|-----|----------|------|-------------------|
| 1 | 95-9200 | 1 | Plug |
| 2 | 95-9198 | 1 | O-Ring |
| 3 | 95-9197 | 1 | E-Clip |
| 4 | 95-9199 | 2 | O-Ring |
| 5 | 108-3264 | 1 | Seal-Viton |
| 6 | 108-3265 | 1 | O-Ring-Viton |
| 7 | 95-9196 | 1 | Turret |
| 8 | 41003 | 1 | Diaphragm |
| 9 | 95-9193 | 1 | Cap-Diaphragm |
| 10 | 95-9192 | 1 | Body-Split Eyelet |
| 11 | 95-9191 | 1 | O-Ring |
| 12 | 99-0811 | 1 | Screw-Clamp |
| 13 | 99-0812 | 1 | Clamp-Upper |
| 14 | 99-0814 | 1 | Pin-Pivot |
| 15 | 95-9201 | 1 | Shank-Hose |
| 16 | 322-3 | 1 | Screw-HH |

| | | | |
|--|--|--|--|
| | | | |
| | | | |
| | | | |
| | | | |



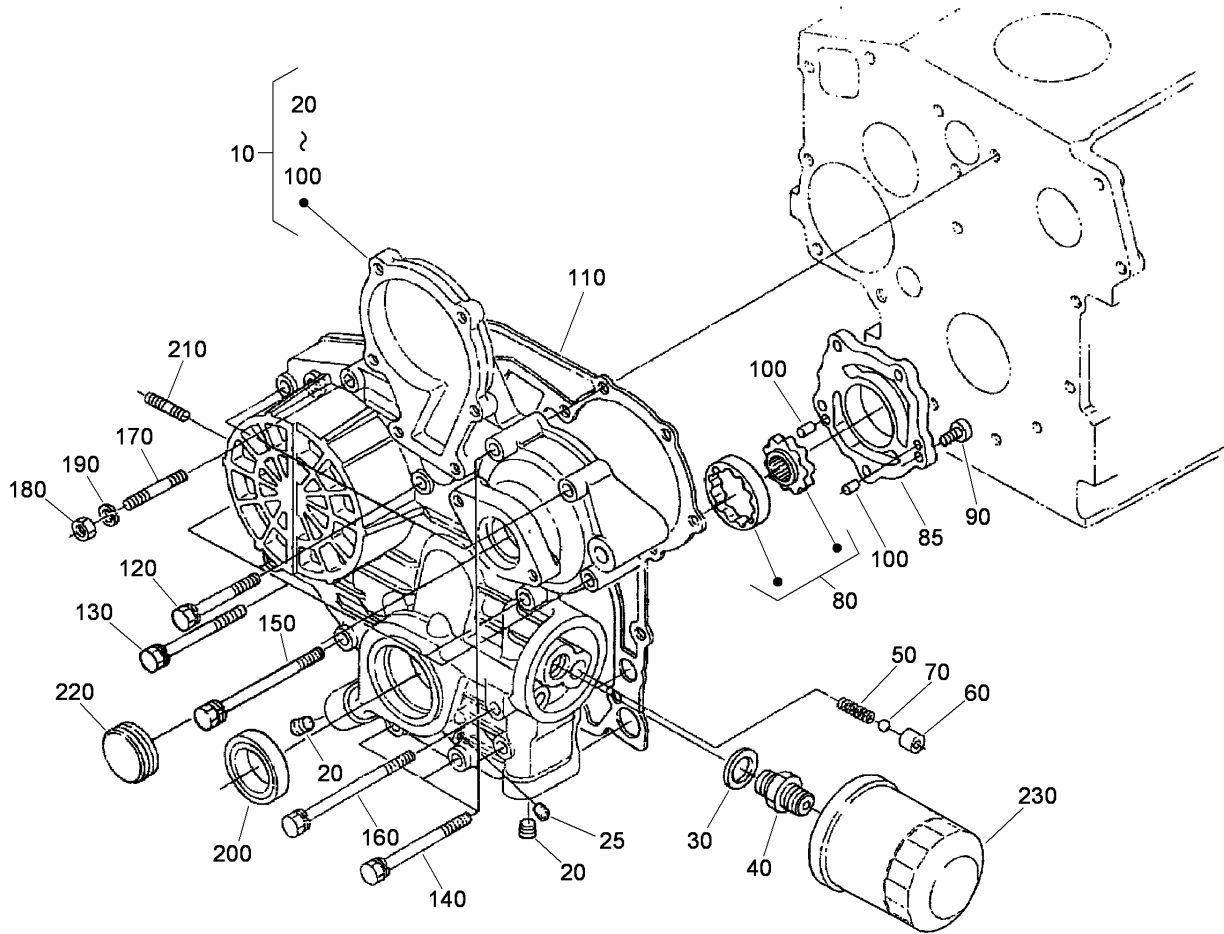
Oil Pan Assembly

| Ref | Part No. | Qty. | Description |
|-----|----------|------|------------------|
| 10 | 108-2852 | 1 | Pan-Oil |
| 20 | 98-9351 | 26 | Bolt |
| 30 | 114-8151 | 2 | Plug-Drain |
| 40 | 98-7524 | 2 | Gasket |
| 50 | 112-7003 | 1 | Head-Filter, Oil |
| 60 | 98-7526 | 1 | Bolt |
| 70 | 105-3776 | 1 | O-Ring |



Cylinder Head Assembly

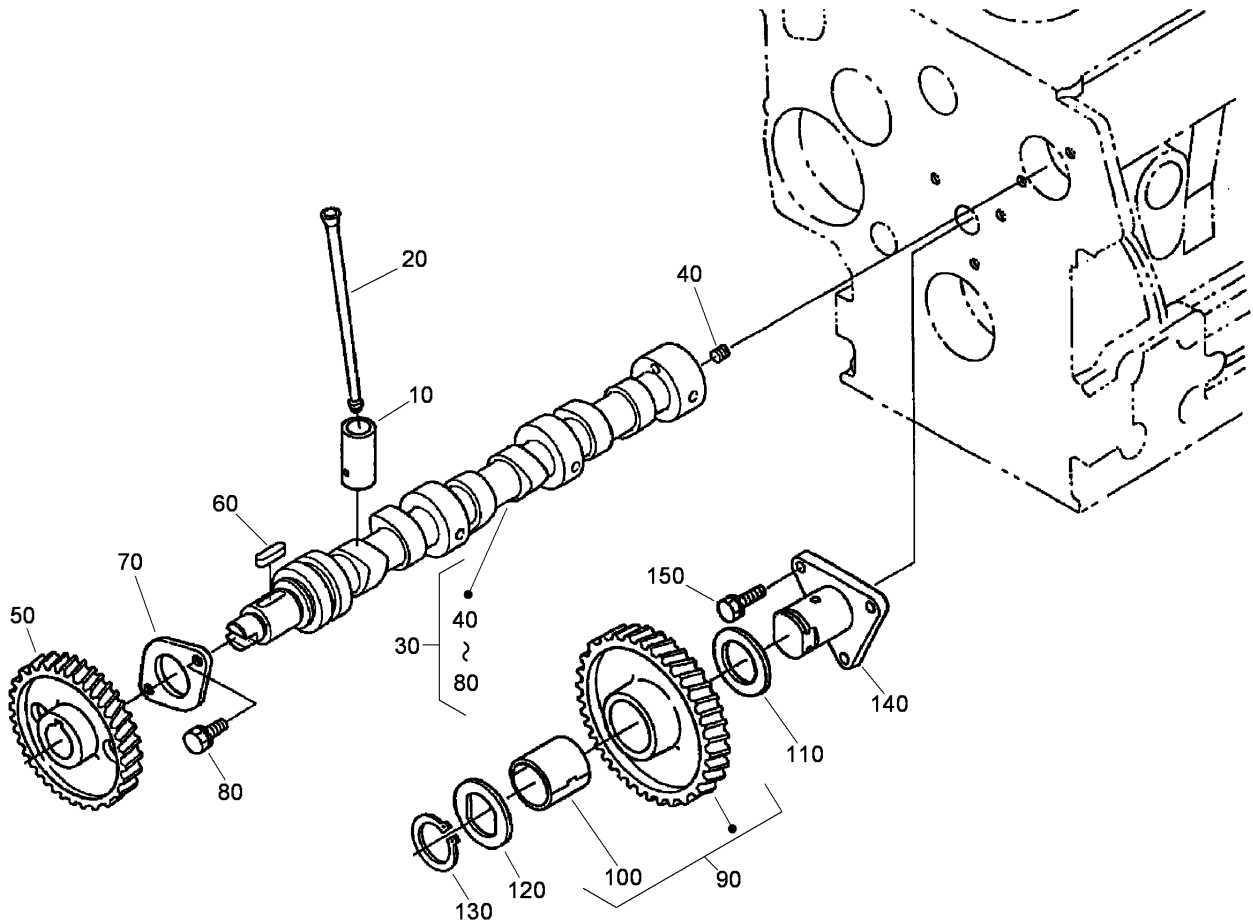
| Ref | Part No. | Qty. | Description |
|-----|----------|------|-----------------------|
| 10 | 98-9477 | 1 | Hook-Engine |
| 20 | 98-9478 | 1 | Hook-Engine |
| 30 | 100-9195 | 2 | Bolt |
| 40 | 115-3012 | 1 | Cylinder Head ASM |
| 50 | 105-3705 | 1 | Cap-Sealing |
| 60 | 98-9687 | 2 | Plug |
| 70 | 107-9066 | 4 | Guide-Valve, Inlet |
| 80 | 107-9067 | 4 | Guide-Valve, Exhaust |
| 90 | 98-9389 | 3 | Cap-Sealing |
| 100 | 98-9479 | 18 | Bolt-Head, Cylinder |
| 110 | 108-2855 | 1 | Gasket-Head, Cylinder |
| 120 | 98-9444 | 1 | Plug |



Gear Case Assembly

| Ref | Part No. | Qty. | Description |
|-----|----------|------|--------------------|
| 10 | 115-4105 | 1 | Gear Case ASM |
| 20 | 98-9598 | 2 | Plug |
| 25 | 98-7487 | 1 | Plug |
| 30 | 98-7562 | 1 | Washer-Plain |
| 40 | 98-9388 | 1 | Joint-Pipe |
| 50 | 98-9544 | 1 | Spring |
| 60 | 98-9543 | 1 | Seat-Valve |
| 70 | 98-9380 | 1 | Ball |
| 80 | 98-9540 | 1 | Oil Pump Rotor ASM |
| 85 | 107-9069 | 1 | Cover-Pump, Oil |
| 90 | 107-9071 | 5 | Screw |
| 100 | 107-9072 | 2 | Pin-Straight |
| 110 | 98-9633 | 1 | Gasket-Case, Gear |
| 120 | 107-9073 | 3 | Bolt |
| 130 | 105-3797 | 4 | Bolt |
| 140 | 98-9356 | 4 | Bolt |
| 150 | 107-9074 | 1 | Bolt |
| 160 | 98-9586 | 1 | Bolt |
| 170 | 105-3709 | 1 | Stud |
| 180 | 98-7572 | 1 | Nut |
| 190 | 98-7699 | 1 | Washer-Spring |
| 200 | 98-9482 | 1 | Seal-Oil |
| 210 | 105-3710 | 2 | Stud |
| 220 | 98-9641 | 1 | Cover-Case, Gear |

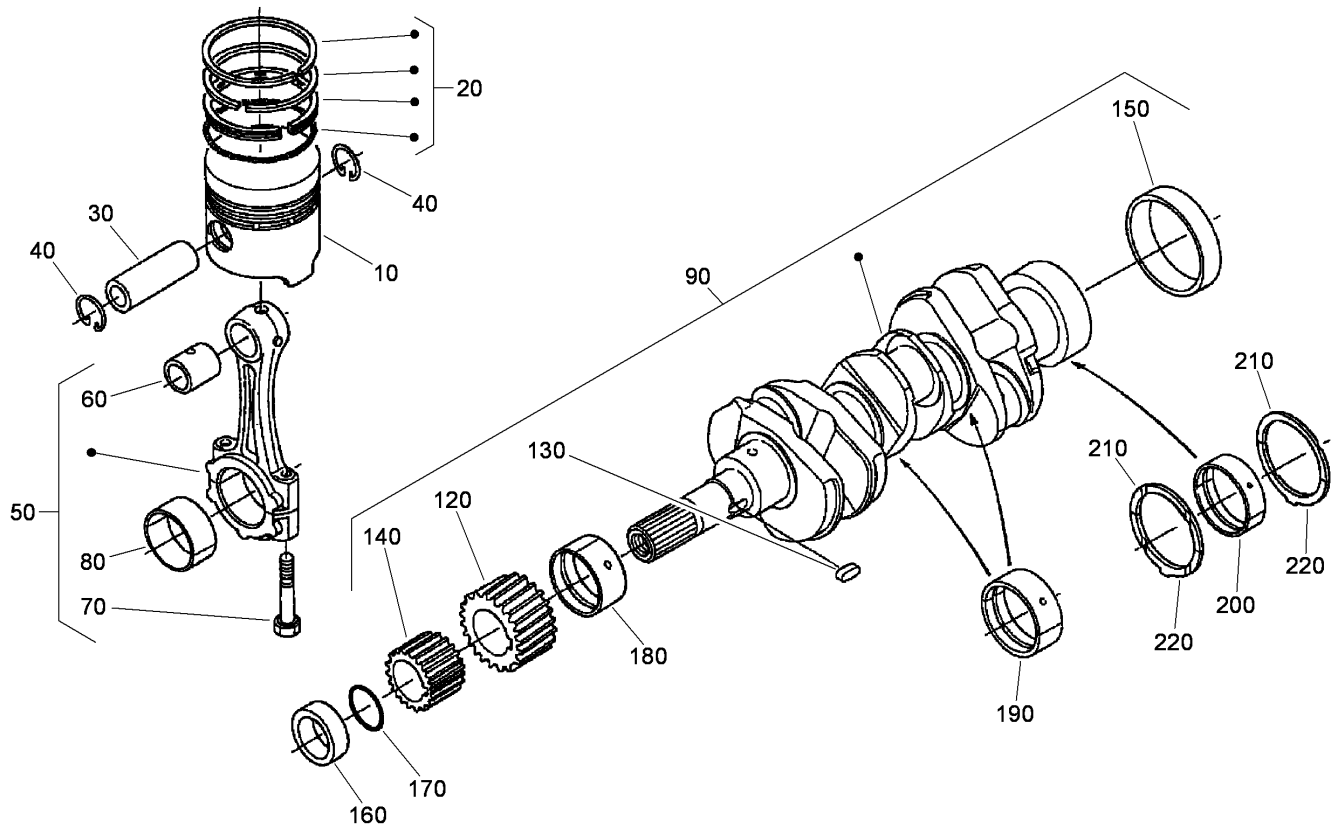
| Ref | Part No. | Qty. | Description |
|-----|----------|------|-------------|
| 230 | 108-3841 | 1 | Filter-Oil |



Cam Shaft and Idle Gear Assembly

| Ref | Part No. | Qty. | Description |
|-----|----------|------|--------------------|
| 10 | 112-0185 | 8 | Tappet |
| 20 | 98-9509 | 8 | Rod-Push |
| 30 | 108-2865 | 1 | Camshaft ASM |
| 40 | 98-7449 | 1 | Screw-Set |
| 50 | 98-9512 | 1 | Gear-Cam |
| 60 | 98-9378 | 1 | Key-Feather |
| 70 | 98-9510 | 1 | Stopper-Camshaft |
| 80 | 98-7692 | 2 | Bolt |
| 90 | 98-9649 | 1 | Idle Gear ASM |
| 100 | 98-9650 | 1 | Bushing-Gear, Idle |
| 110 | 98-9535 | 1 | Collar-Gear, Idle |
| 120 | 98-9536 | 1 | Collar-Gear, Idle |
| 130 | 98-9534 | 1 | Circlip-Gear, Idle |
| 140 | 98-9533 | 1 | Shaft-Gear, Idle |
| 150 | 98-7692 | 3 | Bolt |

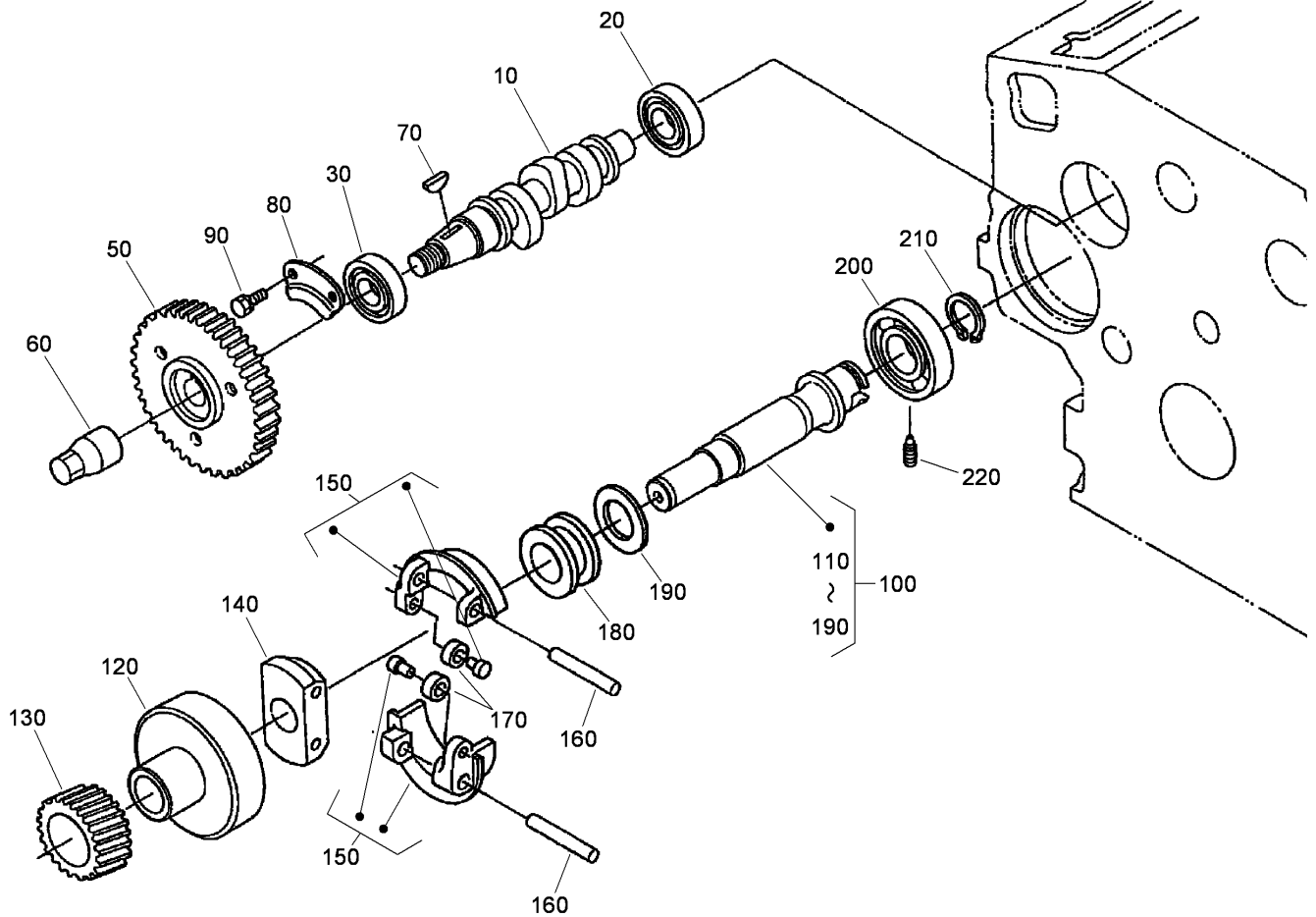
| | | | |
|--|--|--|--|
| | | | |
|--|--|--|--|



Piston and Crankshaft Assembly

| Ref | Part No. | Qty. | Description |
|-----|----------|------|----------------------------|
| 10 | 112-8404 | 4 | Piston |
| 10 | 112-8414 | 4 | Piston |
| 20 | 98-9551 | 4 | Piston Ring ASM (STD) |
| 20 | 108-1404 | 4 | Piston Ring ASM (0.5Mm) |
| 30 | 98-9513 | 4 | Pin-Piston |
| 40 | 98-9514 | 8 | Circlip-Pin, Piston |
| 50 | 115-3013 | 4 | Connecting Rod ASM |
| 60 | 115-3014 | 4 | Bushing-Pin, Piston |
| 70 | 98-9517 | 8 | Bolt-Rod, Connecting |
| 80 | 98-9518 | 4 | Metal-Crankpin (STD) |
| 80 | 98-9519 | 4 | Bearing-Rod (0.2Mm) |
| 80 | 98-9520 | 4 | Bearing-Rod (0.4Mm) |
| 90 | 105-3718 | 1 | Crankshaft ASM |
| 120 | 98-9532 | 1 | Gear-Crankshaft |
| 130 | 98-9666 | 1 | Key |
| 140 | 98-9542 | 1 | Gear-Drive, Oil Pump |
| 150 | 98-9522 | 1 | Sleeve-Crankshaft |
| 160 | 98-9521 | 1 | Collar-Crankshaft |
| 170 | 105-3783 | 1 | O-Ring |
| 180 | 98-9523 | 1 | Metal Crankshaft (STD) |
| 180 | 98-9528 | 1 | Bearing-Main (0.2Mm) |
| 180 | 98-9529 | 1 | Bearing-Main (0.4Mm) |
| 190 | 98-9524 | 3 | Metal-Crankshaft (STD Set) |
| 190 | 98-9530 | 3 | Bearing-Main (0.2Mm) |

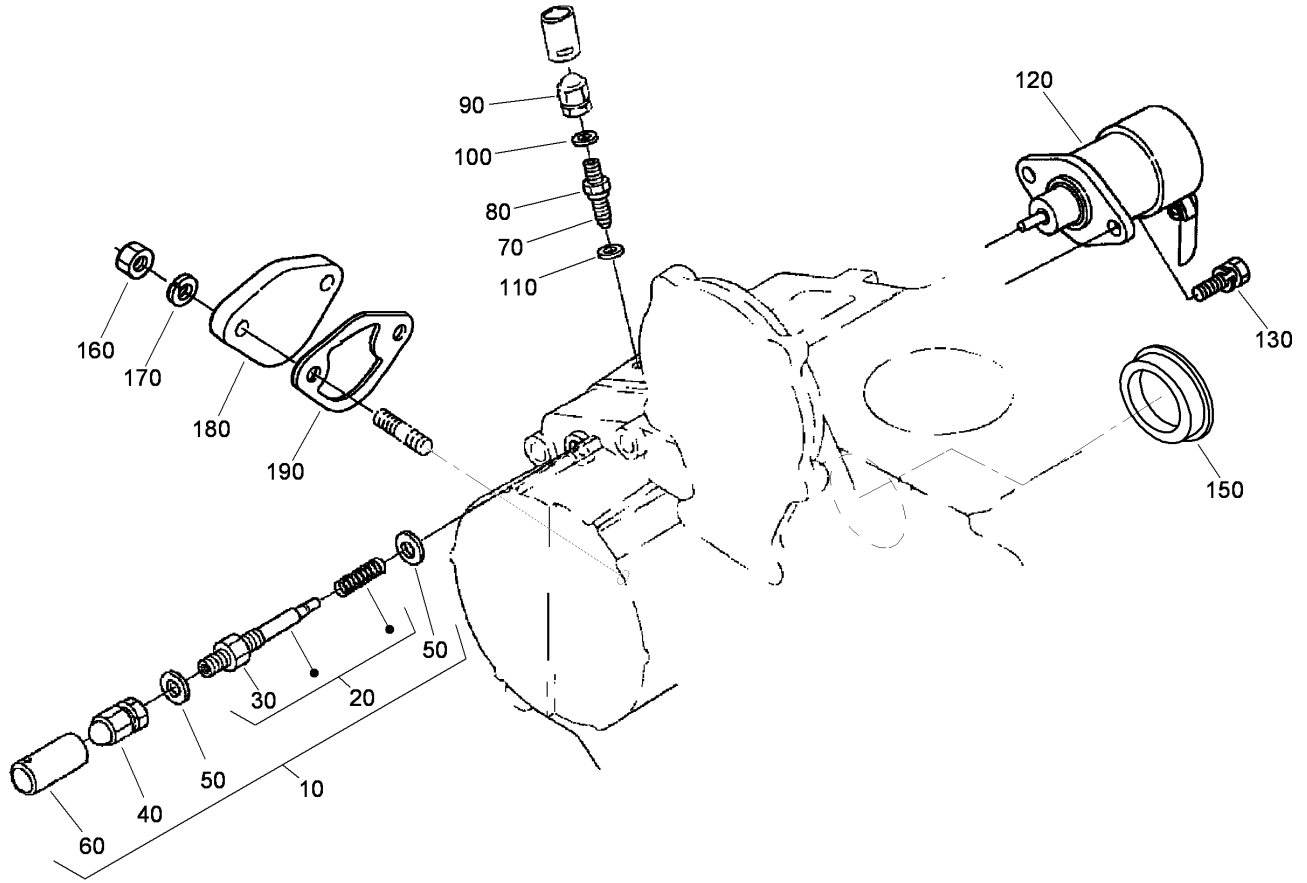
| Ref | Part No. | Qty. | Description |
|-----|----------|------|------------------------|
| 190 | 98-9531 | 3 | Bearing-Main (0.4Mm) |
| 200 | 112-7045 | 1 | Metal-Crankshaft |
| 200 | 112-7039 | 1 | Metal-Crankshaft |
| 200 | 112-7040 | 1 | Metal-Crankshaft |
| 210 | 98-9413 | 2 | Bearing-Thrust (STD) |
| 210 | 98-9414 | 2 | Bearing-Thrust (0.2Mm) |
| 210 | 98-9415 | 2 | Bearing-Thrust (0.4Mm) |
| 220 | 98-9688 | 2 | Bearing-Thrust (STD) |
| 220 | 98-9689 | 2 | Bearing-Thrust (0.2Mm) |
| 220 | 98-9690 | 2 | Bearing-Thrust (0.4Mm) |



Fuel Camshaft and Governor Shaft Assembly

| Ref | Part No. | Qty. | Description |
|-----|----------|------|-------------------------|
| 10 | 105-3723 | 1 | Camshaft-Fuel |
| 20 | 107-9077 | 1 | Bearing-Ball |
| 30 | 107-9078 | 1 | Bearing-Ball |
| 50 | 98-9669 | 1 | Gear-Pump, Injection |
| 60 | 98-9590 | 1 | Nut-Cap |
| 70 | 98-9595 | 1 | Key-Woodruff |
| 80 | 98-9511 | 1 | Stopper-Fuel, Camshaft |
| 90 | 98-7692 | 2 | Bolt |
| 100 | 105-3724 | 1 | Governor Shaft ASM |
| 110 | 105-3725 | 1 | Shaft, Governor |
| 120 | 98-9562 | 1 | Holder-Gear, Governor |
| 130 | 98-9673 | 1 | Gear-Governor |
| 140 | 98-9561 | 1 | Holder-Weight, Governor |
| 150 | 98-9559 | 2 | Governor Weight ASM |
| 160 | 98-9560 | 2 | Shaft-Weight, Governor |
| 170 | 98-9692 | 2 | Roller |
| 180 | 98-9563 | 1 | Sleeve-Governor |
| 190 | 98-9564 | 1 | Washer-Thrust |
| 200 | 107-9079 | 1 | Bearing-Ball |
| 210 | 98-9657 | 1 | Circlip-Shaft, Governor |
| 220 | 98-9565 | 1 | Screw-Set |

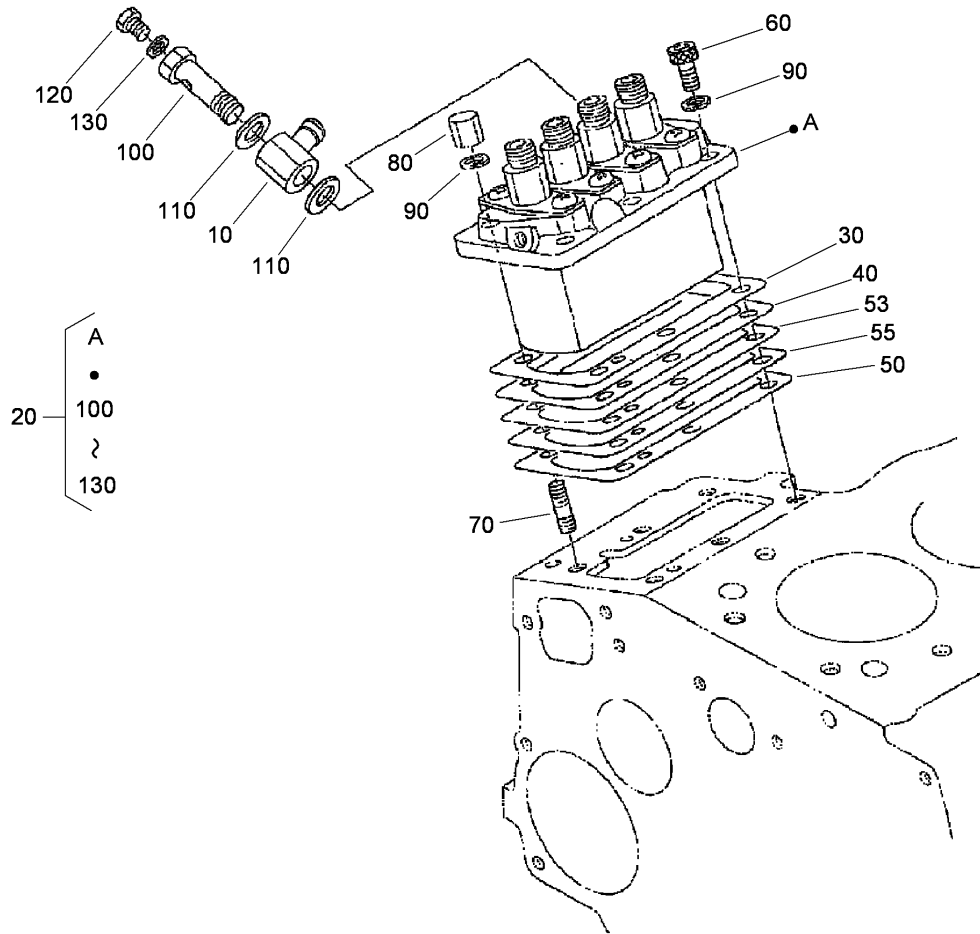
| | | | |
|--|--|--|--|
| | | | |
| | | | |
| | | | |
| | | | |



Idle Apparatus Assembly

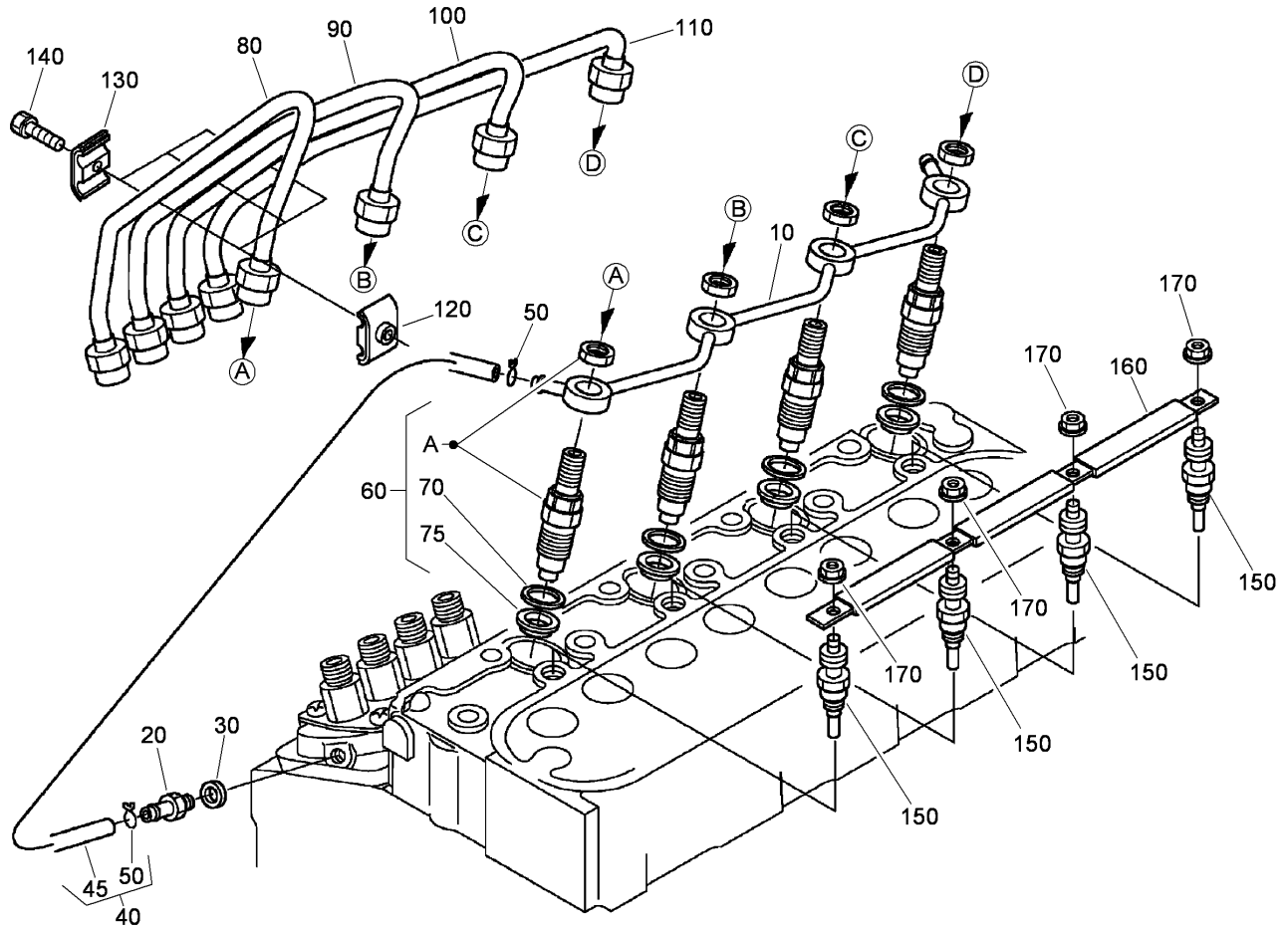
| Ref | Part No. | Qty. | Description |
|-----|----------|------|--------------------|
| 10 | 98-9678 | 1 | Idle Apparatus ASM |
| 20 | 112-7014 | 1 | Adjusting Bolt ASM |
| 30 | 98-9439 | 1 | Nut |
| 40 | 112-0181 | 1 | Nut |
| 50 | 98-7654 | 2 | Gasket |
| 60 | 98-7656 | 1 | Cap |
| 70 | 112-7015 | 1 | Bolt-Adjusting |
| 80 | 99-3512 | 1 | Nut |
| 90 | 112-0181 | 1 | Nut |
| 100 | 98-7654 | 1 | Gasket |
| 110 | 107-9081 | 1 | Gasket |
| 120 | 104-5155 | 1 | Solenoid-Stop |
| 130 | 115-3039 | 2 | Bolt-HSH |
| 150 | 112-7016 | 1 | Cover-Pump |
| 160 | 98-7572 | 2 | Nut |
| 170 | 98-7699 | 2 | Washer-Spring |
| 180 | 99-3514 | 1 | Cover |
| 190 | 98-9636 | 1 | Gasket-Pump, Fuel |

| | | | |
|--|--|--|--|
| | | | |
| | | | |
| | | | |
| | | | |



Injection Pump Assembly

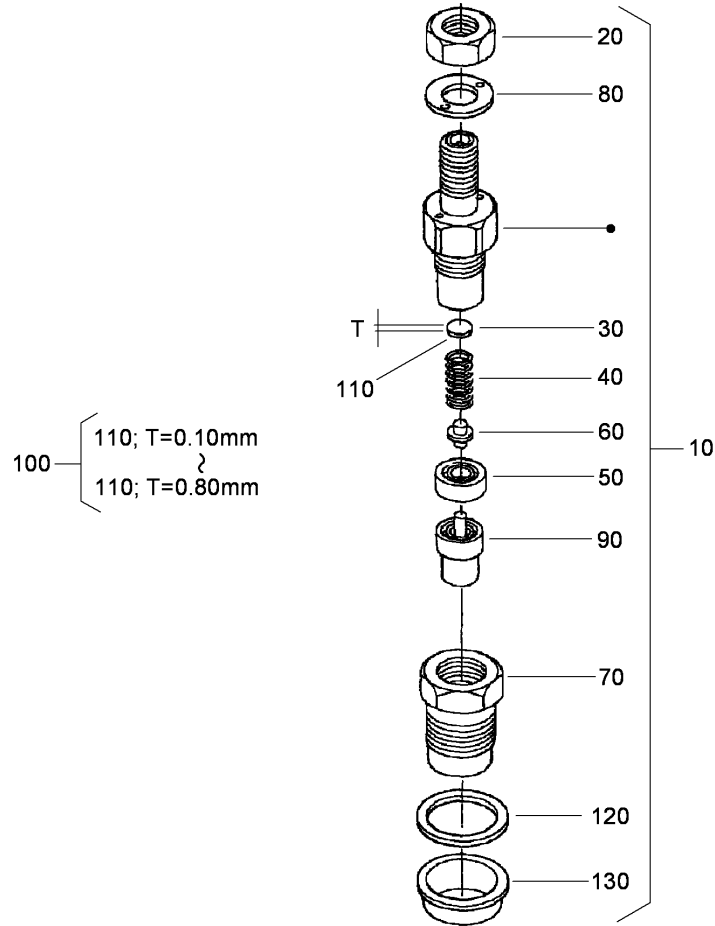
| Ref | Part No. | Qty. | Description |
|-----|----------|------|-------------------------------|
| 10 | 98-9596 | 1 | Joint-Eye |
| 20 | 105-3727 | 1 | Injection Pump ASM |
| 30 | 105-3728 | 1 | Shim-Pump, Injection (.20Mm) |
| 40 | 105-3729 | 1 | Shim-Pump, Injection (.25Mm) |
| 50 | 105-3730 | 1 | Shim-Pump, Injection (.30Mm) |
| 53 | 115-3016 | 1 | Shim-Pump, Injection (.350Mm) |
| 55 | 115-3017 | 1 | Shim-Pump, Injection (.175Mm) |
| 60 | 98-9361 | 3 | Bolt-HSH |
| 70 | 98-9438 | 3 | Stud |
| 80 | 98-9440 | 3 | Nut-Cap |
| 90 | 98-7699 | 6 | Washer-Spring |
| 100 | 98-9464 | 1 | Bolt-Joint |
| 110 | 98-9445 | 2 | Gasket |
| 120 | 98-9430 | 1 | Screw |
| 130 | 98-9446 | 1 | Gasket |



Nozzle Holder and Glow Plug Assembly

| Ref | Part No. | Qty. | Description |
|-----|----------|------|--------------------|
| 10 | 105-3737 | 1 | Over Flow Pipe ASM |
| 20 | 98-9431 | 1 | Screw-Bleeder, Air |
| 30 | 98-7654 | 1 | Gasket |
| 40 | 98-9420 | 1 | Overflow Pipe ASM |
| 45 | 112-0182 | 1 | Pipe-Overflow |
| 50 | 98-7671 | 2 | Clip-Pipe |
| 60 | 115-3018 | 4 | Nozzle Holder Kit |
| 70 | 98-7676 | 4 | Gasket |
| 75 | 98-7677 | 4 | Seal-Heat |
| 80 | 98-9653 | 1 | Pipe-Injection |
| 90 | 98-9654 | 1 | Pipe-Injection |
| 100 | 98-9655 | 1 | Pipe-Injection |
| 110 | 105-3738 | 1 | Pipe-Injection |
| 120 | 98-7682 | 3 | Clamp-Pipe |
| 130 | 98-7683 | 3 | Clamp-Pipe |
| 140 | 98-7684 | 3 | Screw (W/Washer) |
| 150 | 115-3019 | 4 | Plug-Glow |
| 160 | 105-3739 | 1 | Cord-Plug, Glow |
| 170 | 99-8377 | 4 | Nut-Flange |

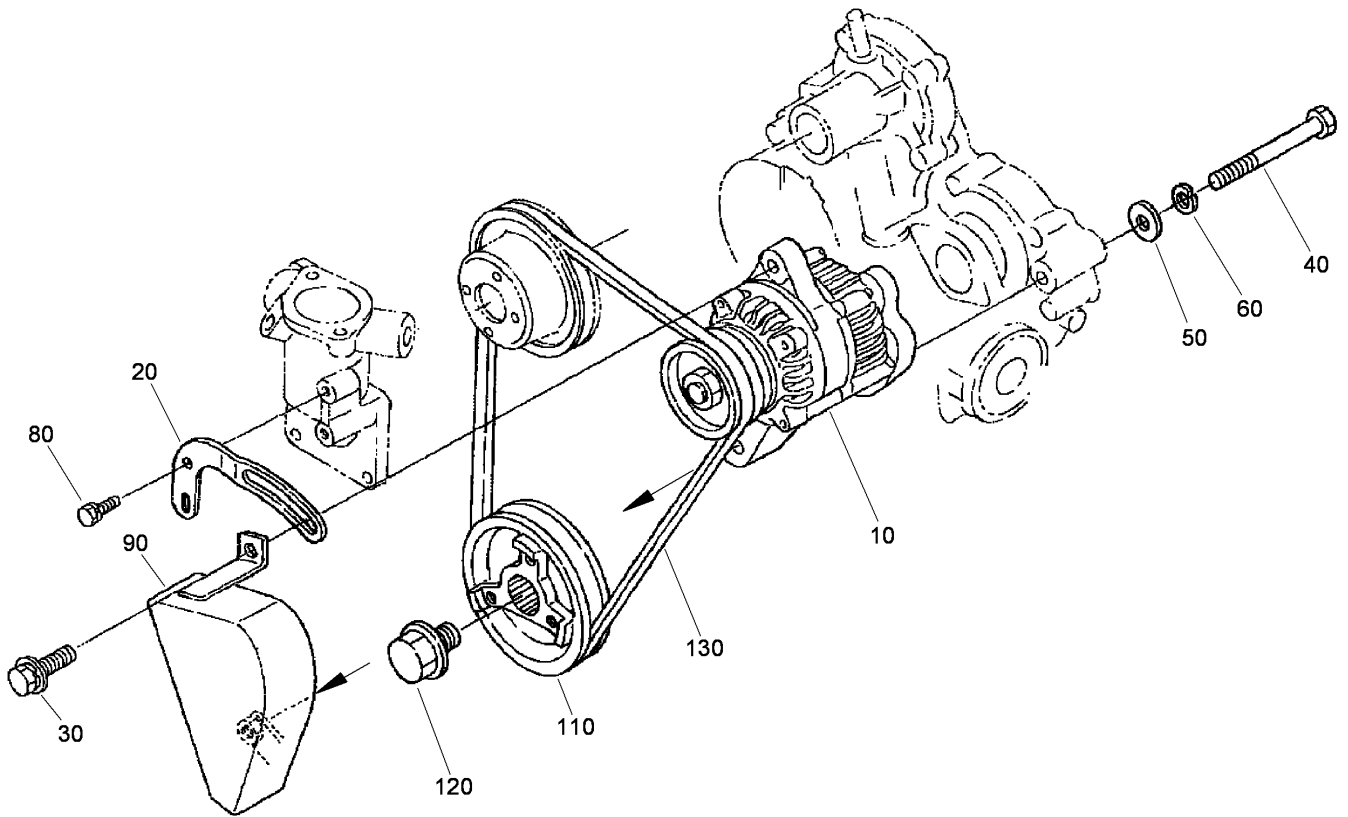
| | | | |
|--|--|--|--|
| | | | |
| | | | |
| | | | |
| | | | |



Nozzle Holder Component Assembly

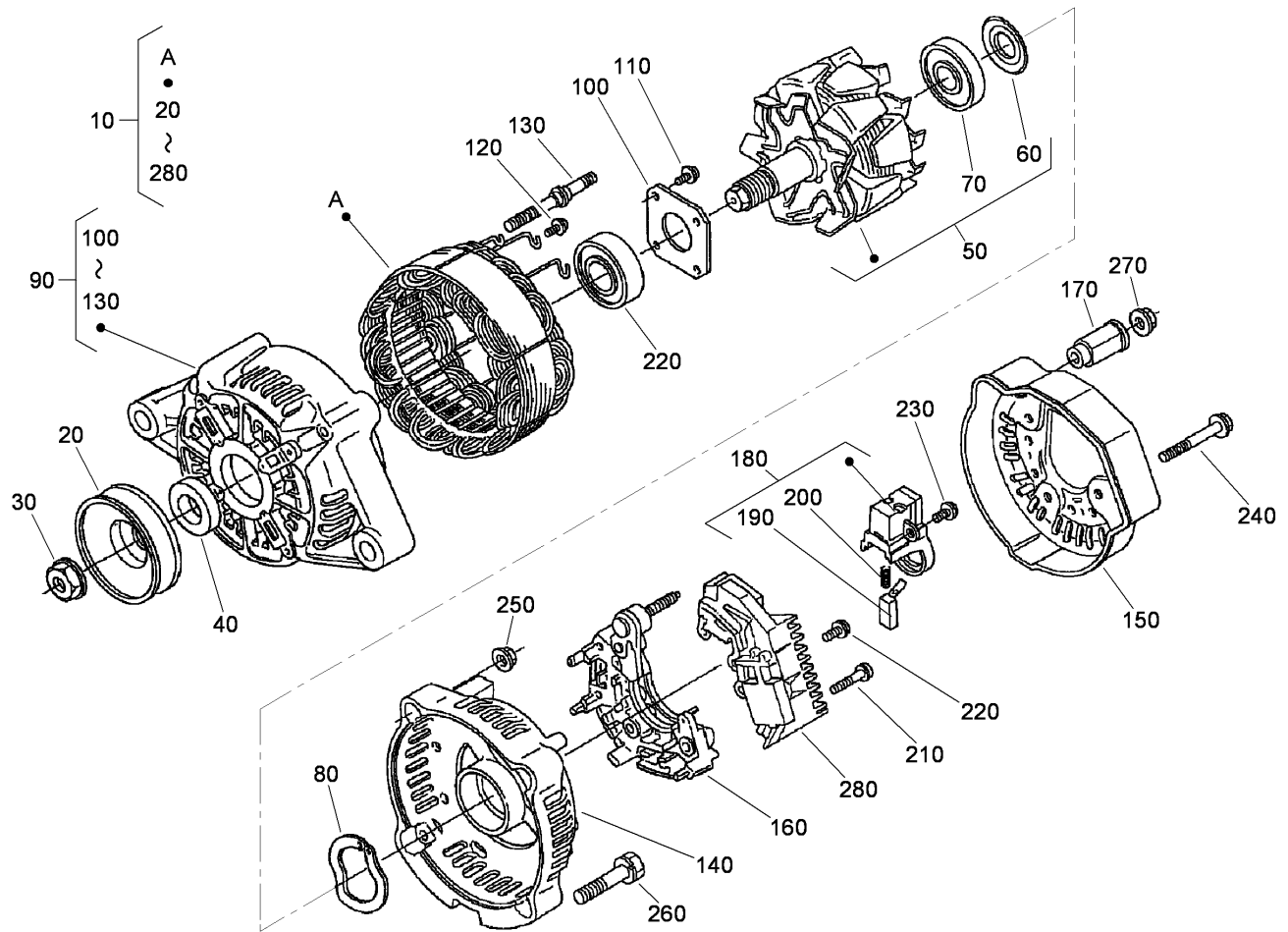
| Ref | Part No. | Qty. | Description |
|-----|----------|------|------------------------|
| 10 | 115-3018 | 4 | Nozzle Holder Kit |
| 20 | 99-8301 | 4 | Nut |
| 30 | 99-8302 | 4 | Washer-Adjusting |
| 40 | 99-8303 | 4 | Spring-Nozzle |
| 50 | 99-8304 | 4 | Spacer-Distance |
| 60 | 99-8305 | 4 | Rod-Push |
| 70 | 99-8306 | 4 | Nut-Nozzle |
| 80 | 99-8307 | 4 | Washer-Plain |
| 90 | 115-3020 | 4 | Piece-Nozzle |
| 100 | 99-8309 | 4 | Adjusting Washer ASM |
| 110 | 99-8310 | 4 | Washer-Adjust (0.10Mm) |
| 110 | 99-8311 | 4 | Washer-Adjust (0.20Mm) |
| 110 | 99-8312 | 4 | Washer-Adjust (0.30Mm) |
| 110 | 99-8313 | 4 | Washer-Adjust (0.40Mm) |
| 110 | 99-8314 | 4 | Washer-Adjust (0.50Mm) |
| 110 | 99-8315 | 4 | Washer-Adjust (0.52Mm) |
| 110 | 99-8316 | 4 | Washer-Adjust (0.54Mm) |
| 110 | 99-8317 | 4 | Washer-Adjust (0.56Mm) |
| 110 | 99-8318 | 4 | Washer-Adjust (0.58Mm) |
| 110 | 99-8319 | 4 | Washer-Adjust (0.80Mm) |
| 120 | 98-7676 | 4 | Gasket |
| 130 | 98-7677 | 4 | Seal-Heat |

| | | | |
|--|--|--|--|
| | | | |
| | | | |
| | | | |
| | | | |



Alternator and Pulley Assembly

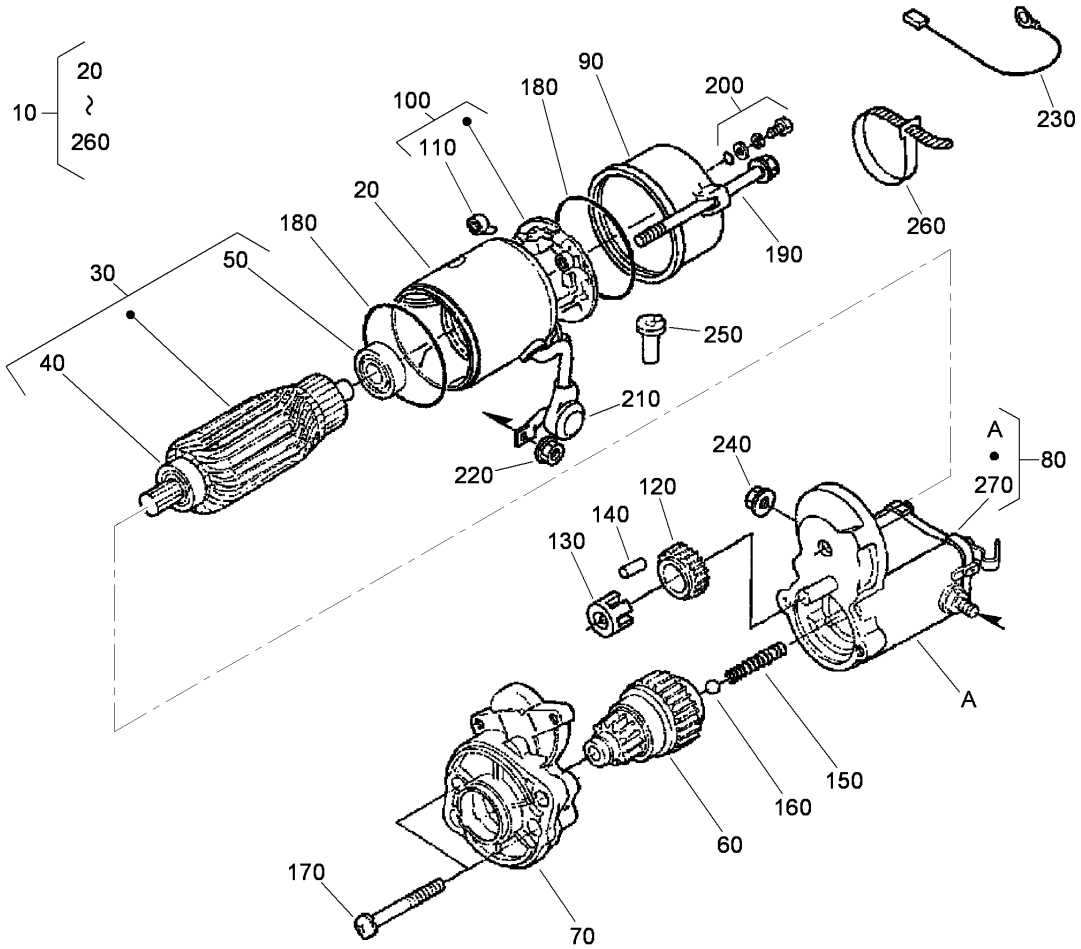
| Ref | Part No. | Qty. | Description |
|-----|----------|------|-------------------|
| 10 | 98-9474 | 1 | Alternator ASM |
| 20 | 112-7047 | 1 | Stay-Dynamo |
| 30 | 108-7088 | 1 | Bolt |
| 40 | 98-9360 | 1 | Bolt |
| 50 | 98-7696 | 1 | Washer-Plain |
| 60 | 98-7738 | 1 | Washer-Spring |
| 80 | 98-7692 | 1 | Bolt |
| 90 | 108-2868 | 1 | Cover-Belt |
| 110 | 105-3745 | 1 | Pulley-Drive, Fan |
| 120 | 98-9585 | 1 | Bolt |
| 130 | 98-9676 | 1 | V-Belt |



Alternator Component Assembly

| Ref | Part No. | Qty. | Description |
|-----|----------|------|---------------------|
| 10 | 98-9474 | 1 | Alternator ASM |
| 20 | 98-9453 | 1 | Pulley-Dynamo |
| 30 | 98-7708 | 1 | Nut |
| 40 | 98-7709 | 1 | Collar |
| 50 | 107-0136 | 1 | Rotor ASM |
| 60 | 98-7711 | 1 | Cover-Bearing |
| 70 | 107-0138 | 1 | Bearing-Ball |
| 80 | 98-7713 | 1 | Washer-Thrust |
| 90 | 107-0139 | 1 | Drive End Frame ASM |
| 100 | 98-7715 | 1 | Plate-Retainer |
| 110 | 98-7716 | 4 | Screw-Head, Round |
| 120 | 98-7717 | 2 | Bolt-Through |
| 130 | 107-0137 | 1 | Bearing-Ball |
| 140 | 107-9087 | 1 | Frame-End |
| 150 | 107-0140 | 1 | Cover-End |
| 160 | 98-7721 | 1 | Rectifier ASM |
| 170 | 98-7722 | 1 | Bushing-Insulation |
| 180 | 107-0141 | 1 | Brush Holder ASM |
| 190 | 98-7724 | 2 | Brush |
| 200 | 98-7725 | 2 | Spring-Brush |
| 210 | 98-7726 | 2 | Screw-Head, Round |
| 220 | 98-7727 | 6 | Screw-Head, Round |
| 230 | 98-7728 | 1 | Screw-Head, Round |
| 240 | 98-7729 | 3 | Bolt |

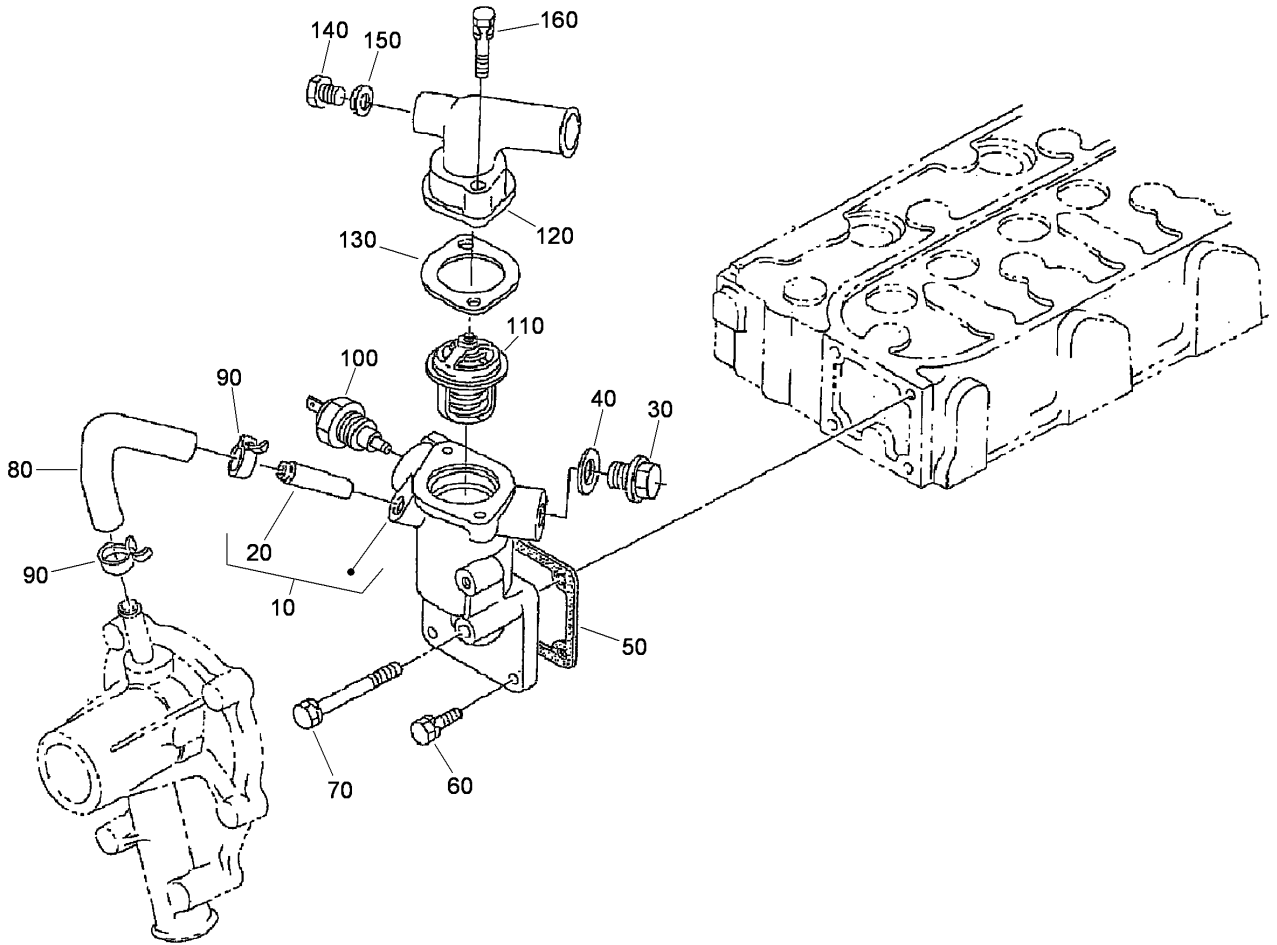
| Ref | Part No. | Qty. | Description |
|-----|----------|------|---------------|
| 250 | 98-7730 | 2 | Nut |
| 260 | 98-7731 | 2 | Bolt |
| 270 | 98-7732 | 1 | Nut |
| 280 | 107-9088 | 1 | Regulator ASM |



Starter Assembly No. 98-9705

| Ref | Part No. | Qty. | Description |
|-----|----------|------|----------------------|
| 10 | 98-9705 | 1 | Starter ASM |
| 20 | 104-8608 | 1 | Yoke ASM |
| 30 | 98-7742 | 1 | Armature ASM |
| 40 | 98-7744 | 1 | Bearing |
| 50 | 98-7743 | 1 | Bearing |
| 60 | 99-8373 | 1 | Clutch-Running, Over |
| 70 | 99-8374 | 1 | Frame-End, Drive |
| 80 | 105-3746 | 1 | Magnetic Switch ASM |
| 90 | 98-7748 | 1 | Frame-End |
| 100 | 98-7749 | 1 | Brush Holder ASM |
| 110 | 98-7750 | 4 | Spring-Brush |
| 120 | 98-7751 | 1 | Gear |
| 130 | 98-7752 | 1 | Retainer |
| 140 | 98-7753 | 5 | Roller |
| 150 | 98-7754 | 1 | Spring |
| 160 | 98-7755 | 1 | Ball |
| 170 | 98-7756 | 2 | Bolt |
| 180 | 98-7757 | 2 | O-Ring |
| 190 | 100-9240 | 2 | Bolt |
| 200 | 98-7758 | 2 | Bolt ASM |
| 210 | 99-8375 | 1 | Cover |
| 220 | 99-8371 | 1 | Nut-Hex |
| 230 | 98-9711 | 1 | Cord-Solenoid, Stop |
| 240 | 99-8376 | 1 | Nut-Hex |

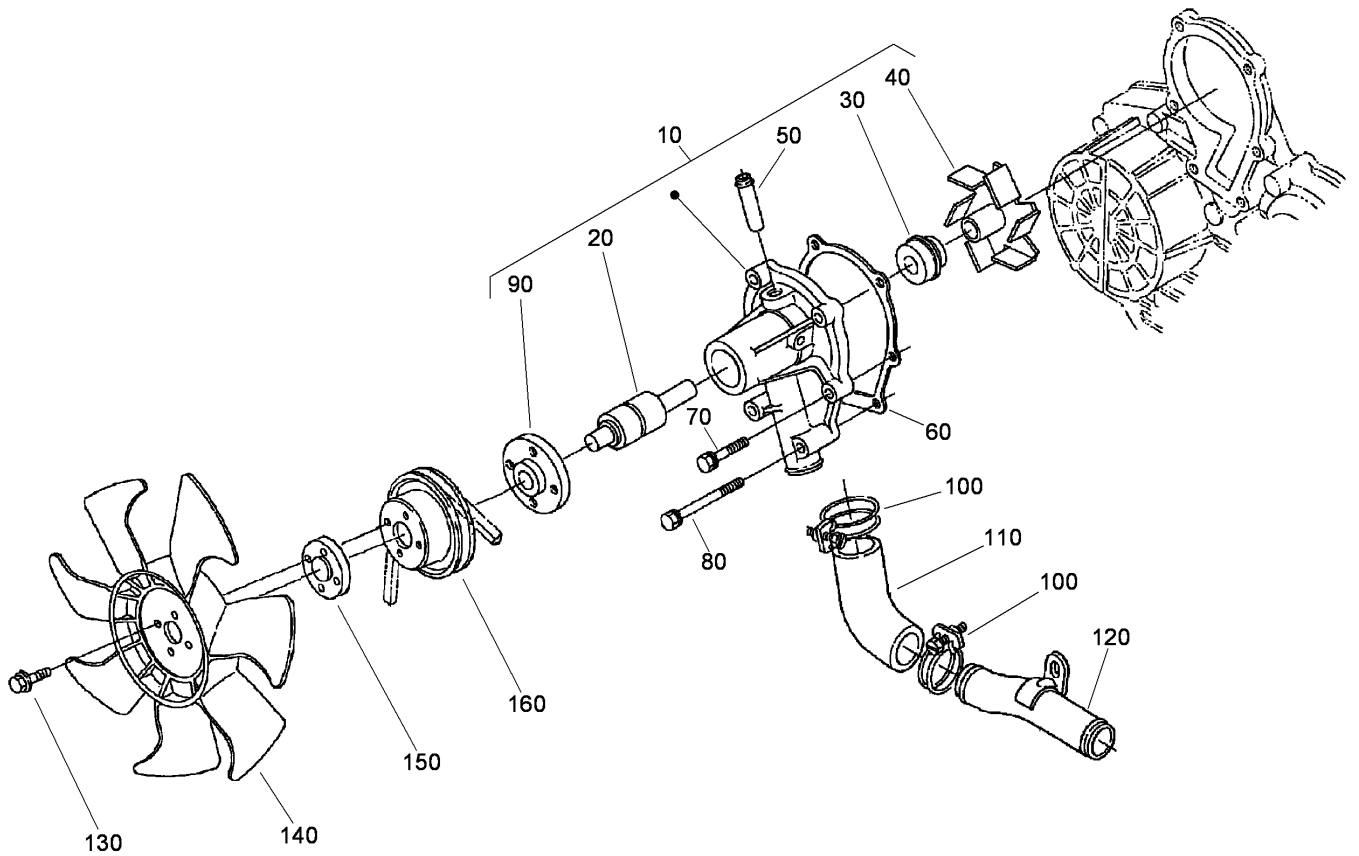
| Ref | Part No. | Qty. | Description |
|-----|----------|------|-------------|
| 250 | 98-7759 | 1 | Pipe-Drain |
| 260 | 98-9712 | 1 | Band-Cover |
| 270 | 105-2886 | 1 | Cover ASM |



Water Flange and Thermostat Assembly

| Ref | Part No. | Qty. | Description |
|-----|----------|------|----------------------|
| 10 | 98-9713 | 1 | Water Flange ASM |
| 20 | 98-9580 | 1 | Pipe-Return, Water |
| 30 | 105-3747 | 1 | Plug |
| 40 | 99-3583 | 1 | Gasket |
| 50 | 98-9638 | 1 | Gasket-Flange, Water |
| 60 | 98-7692 | 3 | Bolt |
| 70 | 98-9356 | 1 | Bolt |
| 80 | 98-9578 | 1 | Pipe-Return, Water |
| 90 | 98-9579 | 2 | Band-Pipe |
| 100 | 98-9719 | 1 | Thermoswitch |
| 110 | 98-7778 | 1 | Thermostat ASM |
| 120 | 108-2869 | 1 | Cover-Thermostat |
| 130 | 105-3748 | 1 | Gasket-Thermostat |
| 140 | 108-2870 | 1 | Plug-Drain |
| 150 | 100-9155 | 1 | Gasket |
| 160 | 98-7777 | 2 | Bolt |

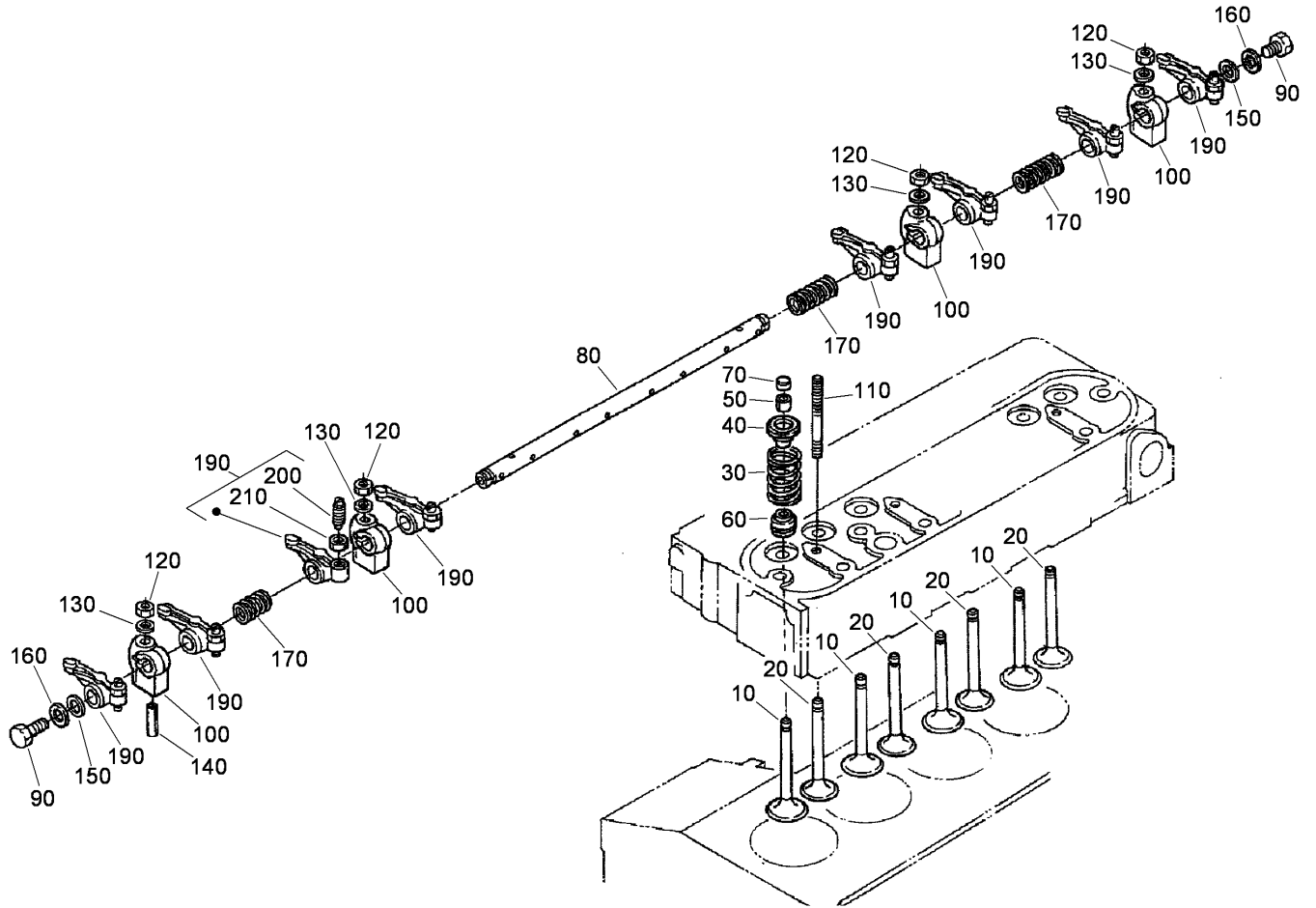
| | | | |
|--|--|--|--|
| | | | |
| | | | |
| | | | |
| | | | |
| | | | |
| | | | |
| | | | |
| | | | |
| | | | |
| | | | |



Water Pump Assembly

| Ref | Part No. | Qty. | Description |
|-----|----------|------|----------------------|
| 10 | 107-9089 | 1 | Water Pump ASM |
| 20 | 99-3517 | 1 | Bearing-Pump, Water |
| 30 | 105-3750 | 1 | Mechanical Seal ASM |
| 40 | 112-7017 | 1 | Impeller-Pump, Water |
| 50 | 100-1932 | 1 | Pipe-Return, Water |
| 60 | 99-3454 | 1 | Gasket-Pump, Water |
| 70 | 98-9353 | 4 | Bolt |
| 80 | 107-9090 | 2 | Bolt |
| 90 | 99-3516 | 1 | Flange-Pump, Water |
| 100 | 98-9717 | 2 | Clamp |
| 110 | 107-9091 | 1 | Pipe-Water |
| 120 | 98-9716 | 1 | Pipe-Water |
| 130 | 108-2873 | 4 | Bolt-Flange |
| 140 | 108-2871 | 1 | Fan |
| 150 | 108-2872 | 1 | Collar-Fan |
| 160 | 98-9584 | 1 | Pulley-Fan |

| | | | |
|--|--|--|--|
| | | | |
|--|--|--|--|



Valve and Rocker Arm Assembly

| Ref | Part No. | Qty. | Description |
|-----|----------|------|----------------------|
| 10 | 112-7018 | 4 | Valve-Inlet |
| 20 | 112-7021 | 4 | Valve-Exhaust |
| 30 | 98-9648 | 8 | Spring-Valve |
| 40 | 107-9092 | 8 | Retainer-Spring |
| 50 | 98-9390 | 8 | Collet-Spring, Valve |
| 60 | 99-8385 | 8 | Seal-Stem, Valve |
| 70 | 98-9497 | 8 | Cap-Valve |
| 80 | 105-3757 | 1 | Shaft-Arm, Rocker |
| 90 | 100-9265 | 2 | Bolt |
| 100 | 98-9505 | 4 | Bracket-Arm, Rocker |
| 110 | 98-9506 | 4 | Stud |
| 120 | 98-9393 | 4 | Nut |
| 130 | 98-9385 | 4 | Washer-Flat |
| 140 | 105-3758 | 1 | Pin-Spring |
| 150 | 98-9507 | 2 | Washer-Shaft, R-Arm |
| 160 | 110-3832 | 2 | Washer-Plain |
| 170 | 98-9504 | 2 | Spring-Arm, Rocker |
| 190 | 98-9501 | 8 | Rocker Arm ASM |
| 200 | 98-9502 | 8 | Screw-Adjusting |
| 210 | 98-9503 | 8 | Nut |

| | | | |
|--|--|--|--|
| | | | |
|--|--|--|--|

Attachments and Accessories

For 41582 - Multi-Pro 5700-D Turf Sprayer

| Product Name | Model/Part |
|---|------------|
| Speedometer Kit | 106-4839 |
| Turf Sprayer Kit (CE) | 106-4841 |
| Heat Shield Blanket Kit | 106-4843 |
| Sprayer Valves O-Ring Kit | 106-4846 |
| Turret Seal Repair Kit | 108-3263 |
| Single Nozzle Kit | 41024 |
| Pro Control Spray System | 41086 |
| Pro Foam Concentrate (4 X 1 Gallon) | 41157 |
| Sonic Boom Kit | 41217 |
| Foam Marker Kit | 41236 |
| Boom Mounting Kit | 41323 |
| Roll-Over Protection System | 41566 |
| Electric Hose Reel Kit | 41569 |
| Spray Gun Kit | 41580 |
| Pro-Foam | 41607 |

NOTES

NOTES

