



TimeCutter™ Z5000 Riding Mower

Model No. 74391 - 290000001 and up.

Parts Catalog

Ordering Replacement Parts

To order replacement parts, please supply the part number, the quantity, and the description of each part desired.

Understanding Reference Numbers

Each identified part in an illustration has a reference number. The reference number for a part also appears in the parts list, along with other information about the part.

This catalog uses two special reference number formats, one to indicate parts in a service assembly and another to indicate the quantity of a given part in an illustration.

Service Assembly Reference Numbers

Parts in service assemblies have reference numbers in the form a:b. The a represents the reference number of the entire service assembly and the b represents a sequential number unique to each part within the service assembly.

For example, a wheel assembly might be identified by reference number 6, the tire by 6:1, the valve by 6:2, and the wheel by 6:3. When you order the assembly identified by reference number 6, you receive all parts identified by reference numbers 6:1, 6:2, and 6:3. However, you may also order any part individually. Reference numbers of this type appear in illustrations and in part lists.

Reference Numbers Indicating Quantity

In an illustration, if a reference number indicates more than one part, the reference number has the form nX y. The n represents the quantity of the part, the X is the multiplication symbol, and the y represents the reference number.

For example, in an illustration, the reference number 2X 37 means that two of the parts identified by reference number 37 are indicated.

Contents

| Description | Page | Description | Page |
|-------------------------------------|----------|--|----------|
| Frame and Castor Wheel Assembly | 3 | Engine and Clutch Assembly | 12 |
| Deck Lift and Seat Support Assembly | 4 | Styling and Fuel System Assembly | 13 |
| Seat Assembly | 5 | 50 Inch Deck and Side Discharge Assembly | 14 |
| Control Assembly | 6 | 50 Inch Deck Decal Assembly No. 117-1291 | 15 |
| Hydro Drive Assembly | 7 | 50 Inch Deck Recycler Assembly | 16 |
| RH Hydro Assembly No. 110-6771 | 8 | 50 Inch Deck Spindle and Blade Assembly | 17 |
| LH Hydro Assembly No. 110-6770 | 10 | Electrical Assembly | 18 |
| | | Attachments and Accessories List | 19 |

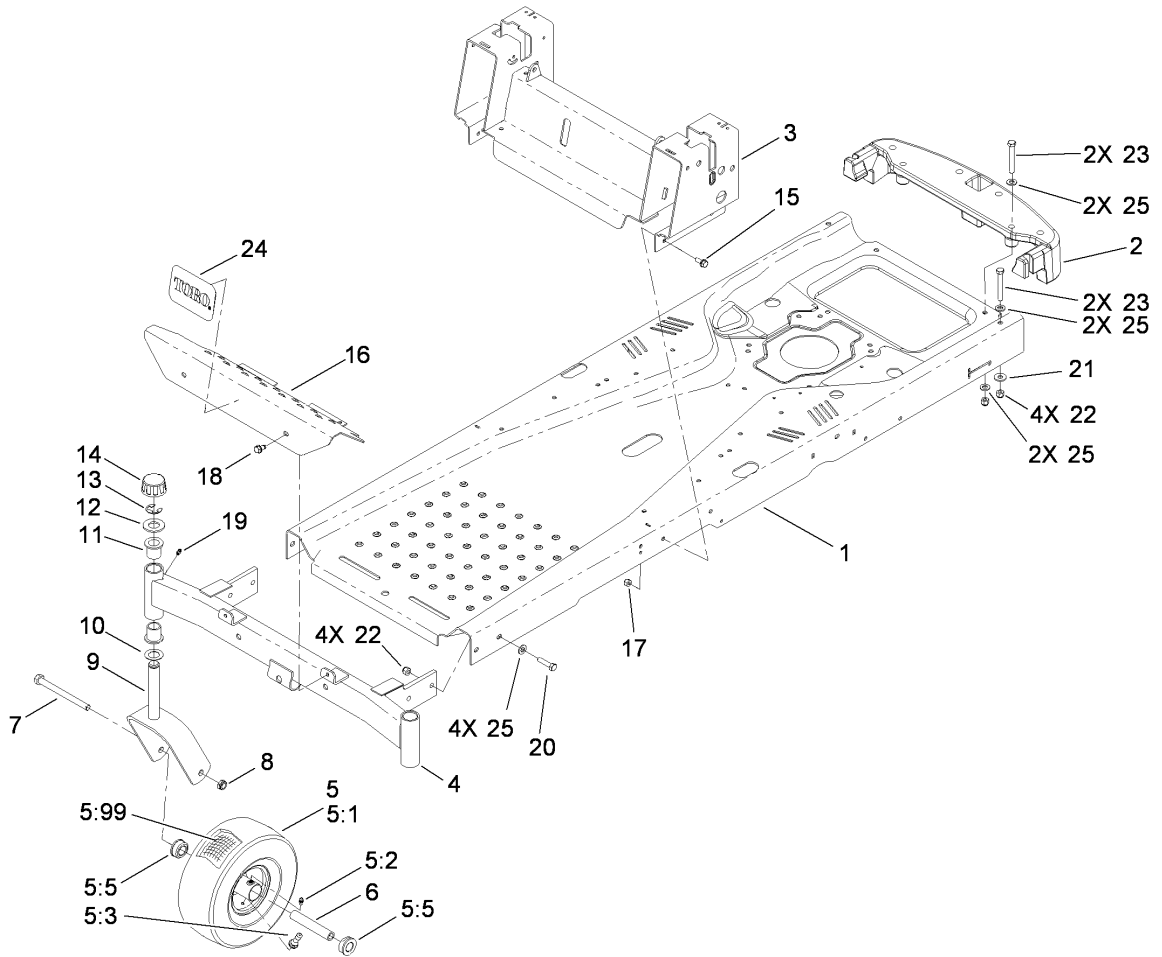
Part Description Abbreviations

Part descriptions in this catalog may include the following abbreviations.

| | |
|--|--|
| AR. as required | HWHTF. hex washer head thread forming |
| ASM. assembly | HYD. hydraulic |
| BBC. blade brake clutch | LH. left hand |
| CARR. carriage | NI. nylon insert |
| CCW. counter clock wise | NPTF. national pipe thread fine |
| CW. clockwise | PFH. phillips flat head |
| DEG. degrees | PPH. phillips pan head |
| ECM. electronic control module | PPHTF. phillips pan head thread forming |
| EXT. external | PRH. phillips round head |
| FH. flat head | PTH. phillips truss head |
| GA. gauge | PTO. power-take-off |
| HD. heavy-duty | RH. right hand |
| HF. hex flange | ROPS. roll-over protection system |
| HH. hex head | SFH. slotted fillister head |
| HHF. hex head flange | SHH. slotted hex head |
| HHFTF. hex head flange thread forming | SHWH. slotted hex washer head |
| HJ. hex jam | SPH. slotted pan head |
| HLH. hex lag head | SQH. square head |
| HOC. height-of-cut | SRH. slotted round head |
| HSBH. hex socket button head | STD. standard |
| HSFH. hex socket flat head | TAP. self tapping |
| HSH. hex socket head | TTH. torx truss head |
| HWH. hex washer head | |

Footnotes

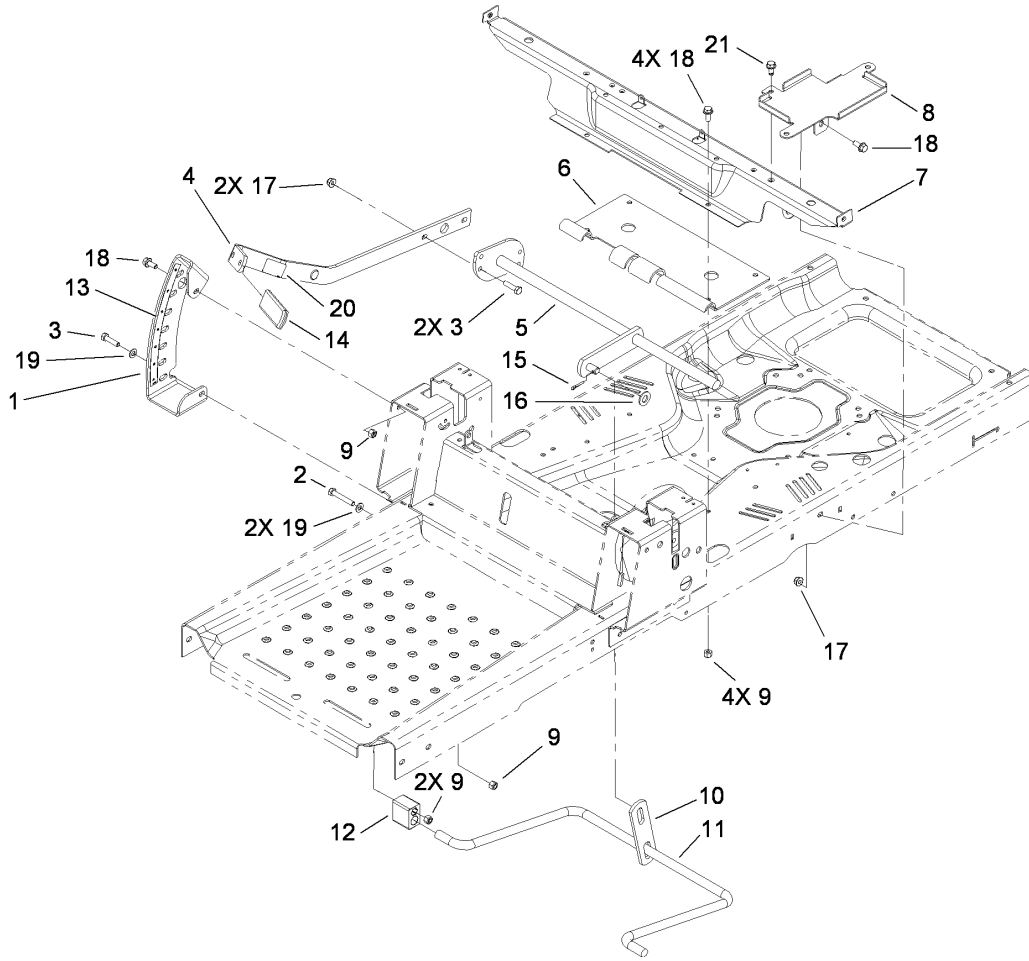
- ❶ Not illustrated
- ❷ Not serviced separately
- ❸ Obtain parts from www.kohlerplus.com



Frame and Castor Wheel Assembly

| Ref | Part No. | Qty. | Description |
|------|-------------|------|------------------------|
| 1 | 115-2464-01 | 1 | Frame |
| 2 | 110-6899-03 | 1 | Bumper-Rear |
| 3 | 115-5041-03 | 1 | Seat Pivot/Control ASM |
| 4 | 108-7882-01 | 1 | Front Axle ASM |
| 5 | 110-6785 | 2 | Castor Wheel ASM |
| 5:1 | 110-6791 | 1 | Tire-Smooth |
| 5:2 | 302-5 | 1 | Fitting-Grease |
| 5:3 | 232-27 | 1 | Stem-Valve |
| 5:5 | 114-1640 | 2 | Bushing-Flange |
| 5:99 | 93-4244 | 1 | Tube-Inner (W/Valve) |
| 6 | 104-3667 | 2 | Spanner-Wheel |
| 7 | 325-22 | 2 | Screw-HH |
| 8 | 3296-45 | 2 | Nut-Lock, NI |
| 9 | 108-7851-01 | 2 | Caster Fork ASM |
| 10 | 110-6767 | 2 | Washer-Thrust |
| 11 | 1-303514 | 4 | Bearing-Flanged |
| 12 | 104-8076 | 2 | Washer |
| 13 | 32151-103 | 2 | Ring-Retaining, EXT |
| 14 | 61-9780 | 2 | Cap-Hub |
| 15 | 3234-47 | 7 | Screw-HHF |
| 16 | 108-7855-03 | 1 | Footrest |
| 17 | 3296-29 | 7 | Nut-Lock, NI |
| 18 | 32104-32 | 2 | Screw-HWH |
| 19 | 302-5 | 2 | Fitting-Grease |

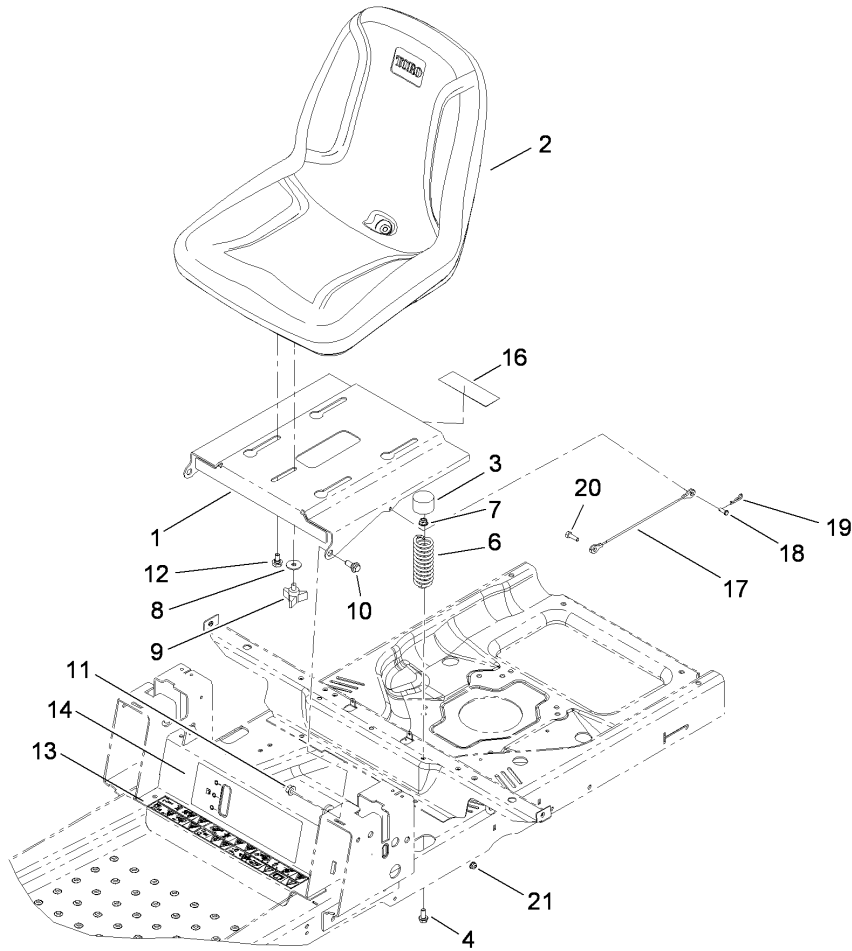
| Ref | Part No. | Qty. | Description |
|-----|----------|------|-----------------|
| 20 | 323-8 | 4 | Screw-HH |
| 21 | 80-6990 | 2 | Washer-Hardened |
| 22 | 3296-39 | 8 | Nut-Lock, NI |
| 23 | 323-13 | 4 | Screw-HH |
| 24 | 99-2385 | 1 | Decal |
| 25 | 3256-24 | 10 | Washer-Flat |



Deck Lift and Seat Support Assembly

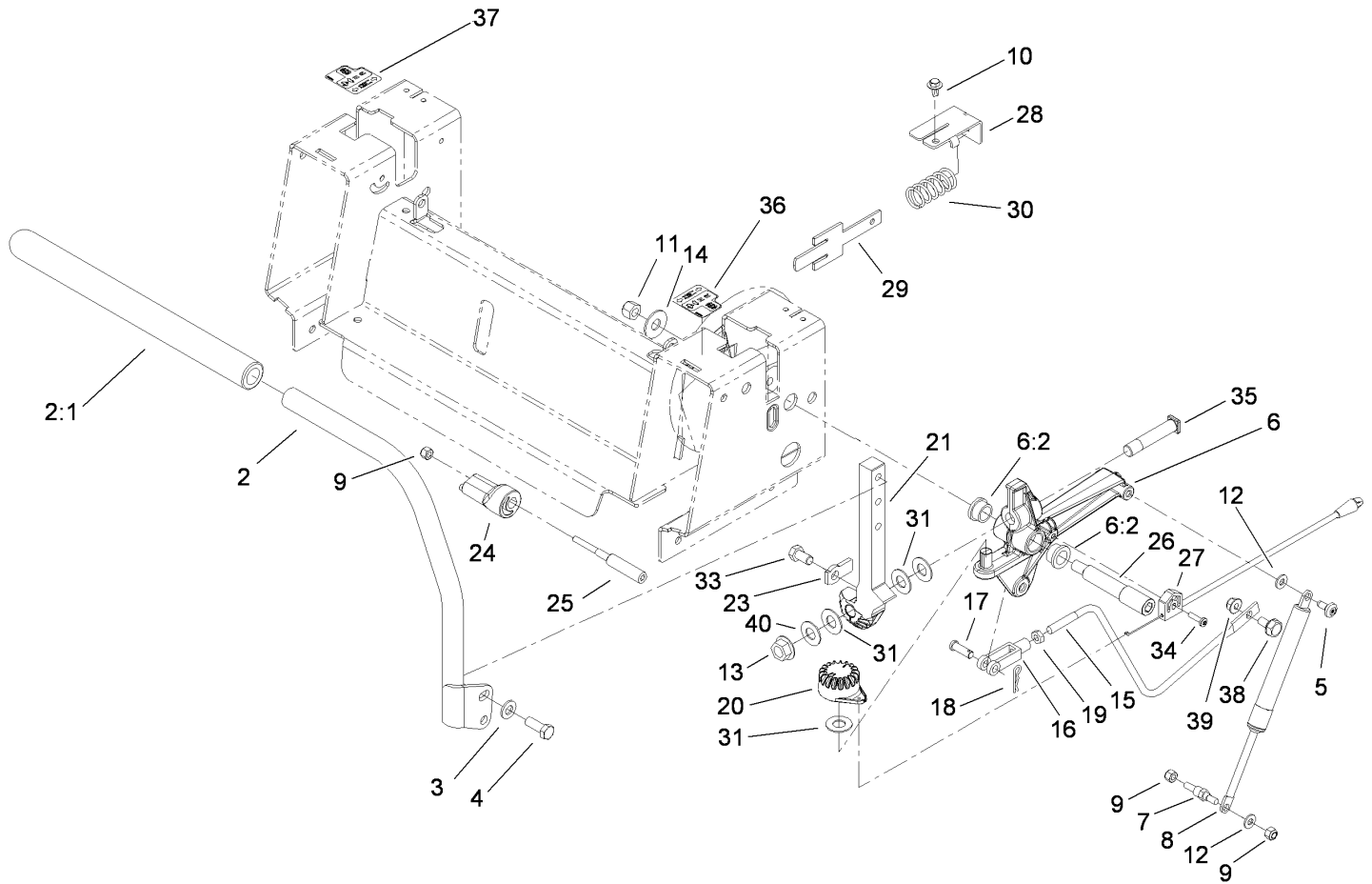
| Ref | Part No. | Qty. | Description |
|-----|-------------|------|-------------------|
| 1 | 112-4027-03 | 1 | Sector-HOC |
| 2 | 322-10 | 2 | Screw-HH |
| 3 | 322-6 | 3 | Screw-HH |
| 4 | 112-3960-03 | 1 | Lift Arm ASM |
| 5 | 108-7841-03 | 1 | Lift Lever ASM |
| 6 | 110-6800-03 | 1 | Plate-Lift |
| 7 | 110-6805-03 | 1 | Bracket-Seat/Pods |
| 8 | 110-1937-03 | 1 | Tray-Battery |
| 9 | 3296-29 | 8 | Nut-Lock, NI |
| 10 | 108-7840 | 1 | Link-Lift |
| 11 | 108-7839 | 1 | Arm-Lift, Rear |
| 12 | 108-7845 | 2 | Block-Pivot |
| 13 | 110-6824 | 1 | Decal-HOC |
| 14 | 105-3450 | 1 | Grip-Lever, Lift |
| 15 | 3272-10 | 1 | Pin-Cotter |
| 16 | 3256-26 | 1 | Washer-Flat |
| 17 | 104-8300 | 3 | Nut-Flange, NI |
| 18 | 3234-47 | 6 | Screw-HHF |
| 19 | 3256-23 | 3 | Washer-Flat |
| 20 | 106-8743 | 1 | Decal |
| 21 | 32104-32 | 1 | Screw-HWH |

| | | | |
|--|--|--|--|
| | | | |
|--|--|--|--|



Seat Assembly

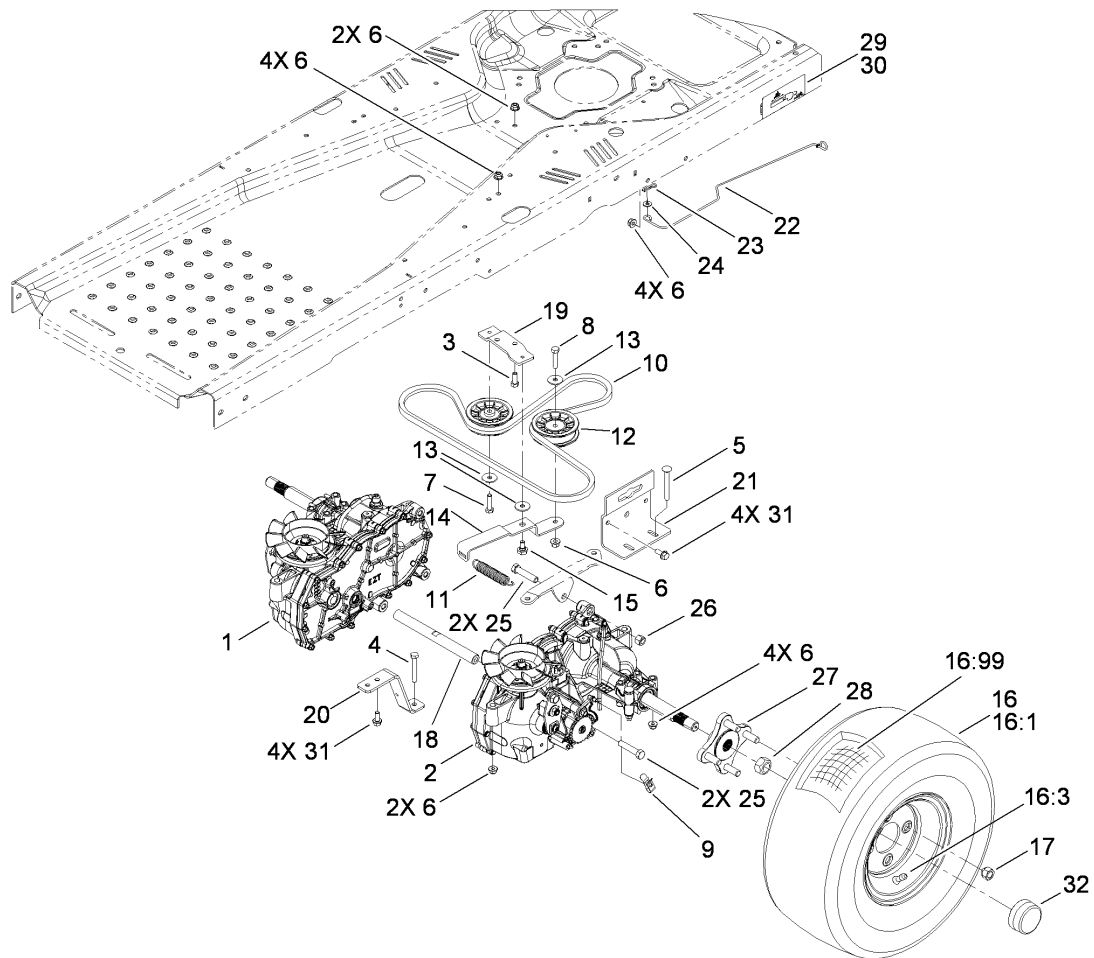
| Ref | Part No. | Qty. | Description | | | | |
|-----|-------------|------|--------------------|--|--|--|--|
| 1 | 115-2465-03 | 1 | Base-Seat | | | | |
| 2 | 117-1226 | 1 | Seat-18 Inch | | | | |
| 3 | 701178 | 2 | Cap-Protector | | | | |
| 4 | 3234-47 | 2 | Screw-HHF | | | | |
| 6 | 92-7054 | 2 | Spring-Compression | | | | |
| 7 | 104-8300 | 2 | Nut-Flange, NI | | | | |
| 8 | 5-4460 | 1 | Washer-Pivot | | | | |
| 9 | 92-9674 | 1 | Knob | | | | |
| 10 | 94-7582 | 2 | Bolt-Shoulder | | | | |
| 11 | 32128-21 | 2 | Nut-HF | | | | |
| 12 | 37-8771 | 4 | Bolt-Shoulder | | | | |
| 13 | 115-2469 | 1 | Decal-Danger | | | | |
| 14 | 115-2451 | 1 | Decal-Timecutter | | | | |
| 16 | 106-8717 | 1 | Decal-Service | | | | |
| 17 | 109-2628 | 1 | Cable-Stop, Seat | | | | |
| 18 | 60-1730 | 1 | Pin-Clevis | | | | |
| 19 | 1-806003 | 1 | Pin-Cotter, Hair | | | | |
| 20 | 321-5 | 1 | Screw-HH | | | | |
| 21 | 104-7201 | 1 | Nut-HF | | | | |



Control Assembly

| Ref | Part No. | Qty. | Description |
|-----|-------------|------|------------------------|
| 1 | 110-6814 | 1 | RH Handle ASM |
| 1:1 | 108-6187 | 1 | Grip |
| 2 | 110-6815 | 1 | LH Handle ASM |
| 2:1 | 108-6187 | 1 | Grip |
| 3 | 3256-24 | 4 | Washer-Flat |
| 4 | 323-6 | 4 | Screw-HH |
| 5 | 112-4004 | 2 | Screw-Shoulder |
| 6 | 110-6828 | 2 | Activator Arm ASM |
| 6:2 | 105-3455 | 2 | Bushing |
| 7 | 110-6810 | 2 | Stud-Damper |
| 8 | 103-2913 | 2 | Damper-Control, Motion |
| 9 | 3296-42 | 6 | Nut-Lock, NI |
| 10 | 46-8560 | 2 | Screw-HHF |
| 11 | 3296-48 | 2 | Nut-Lock, NI |
| 12 | 3256-22 | 4 | Washer-Flat |
| 13 | 32128-23 | 2 | Nut-HF |
| 14 | 3256-5 | 2 | Washer-Flat |
| 15 | 110-6693 | 2 | Link-Hydro |
| 16 | 1-303105 | 2 | Yoke-Adjustable |
| 17 | 1-808280 | 2 | Pin-Clevis |
| 18 | 1-806003 | 2 | Pin-Cotter, Hair |
| 19 | 3220-2 | 2 | Nut-Jam |
| 20 | 110-6845 | 2 | Gear-Control |
| 21 | 110-6783-03 | 1 | Arm-Actuator, LH |

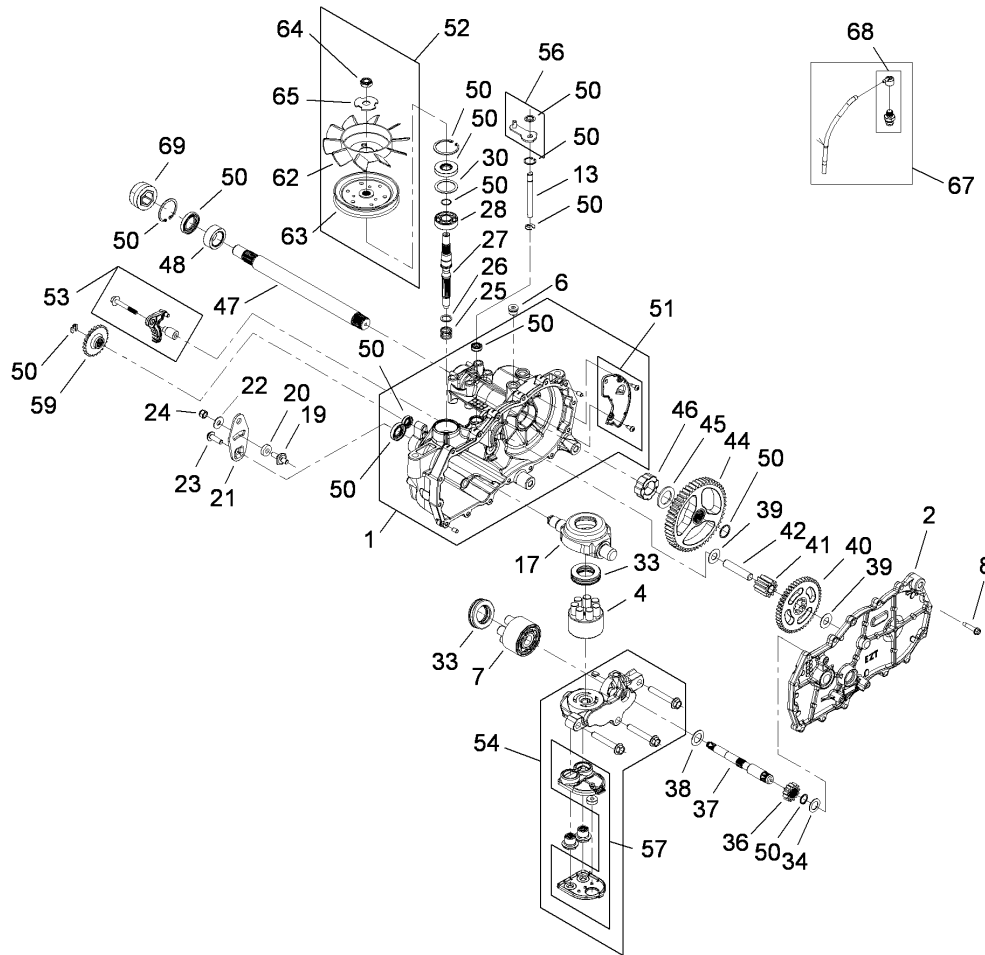
| Ref | Part No. | Qty. | Description |
|-----|-------------|------|-------------------------|
| 22 | 110-6782-03 | 1 | Arm-Actuator, RH |
| 23 | 115-5023 | 2 | Tab-Stop |
| 24 | 110-6873 | 2 | Eccentric |
| 25 | 110-6874 | 2 | Screw-Eccentric |
| 26 | 110-6875 | 2 | Bolt-Shoulder |
| 27 | 110-6858 | 2 | Cable-Brake, Parking |
| 28 | 110-6751 | 2 | Bracket-Return |
| 29 | 110-6750 | 2 | Plate-Return |
| 30 | 110-6752 | 2 | Spring |
| 31 | 110-6894 | 8 | Washer-Pivot |
| 33 | 323-4 | 2 | Screw-HH |
| 34 | 110-0863 | 2 | Screw-Torx |
| 35 | 110-6784 | 2 | Bolt-Shoulder |
| 36 | 112-9750 | 1 | Decal-Control Lever, LH |
| 37 | 112-9751 | 1 | Decal-Control Lever, RH |
| 38 | 37-8771 | 2 | Bolt-Shoulder |
| 39 | 104-8300 | 2 | Nut-Flange, NI |
| 40 | 112-9771 | 2 | Washer-Teflon |



Hydro Drive Assembly

| Ref | Part No. | Qty. | Description |
|-------|-------------|------|--------------------|
| 1 | 110-6771 | 1 | Hydro-RH |
| 2 | 110-6770 | 1 | Hydro-LH |
| 3 | 322-4 | 2 | Screw-HH |
| 4 | 322-11 | 2 | Screw-HH |
| 5 | 3230-9 | 4 | Screw-CARR |
| 6 | 104-8300 | 17 | Nut-Flange, NI |
| 7 | 322-6 | 1 | Screw-HH |
| 8 | 322-7 | 1 | Screw-HH |
| 9 | 110-6677 | 2 | Clip-Spring |
| 10 | 110-6774 | 1 | V-Belt |
| 11 | 63-1590 | 1 | Spring-Idler |
| 12 | 110-6775 | 2 | Pulley-Idler |
| 13 | 5-4460 | 3 | Washer-Pivot |
| 14 | 110-1925 | 1 | Arm-Idler |
| 15 | 37-8771 | 1 | Bolt-Shoulder |
| 16 | 110-6883 | 2 | Wheel And Tire ASM |
| 16:1 | 110-6887 | 1 | Tire |
| 16:3 | 232-27 | 1 | Stem-Valve |
| 16:99 | 232-37 | 1 | Tube |
| 17 | 242-50 | 8 | Nut-Lug |
| 18 | 110-6807 | 1 | Shaft-Cross |
| 19 | 110-1926 | 1 | Plate-Pivot |
| 20 | 110-6806-03 | 2 | Strap-Torque |
| 21 | 110-6878-03 | 2 | Support-Hydro |

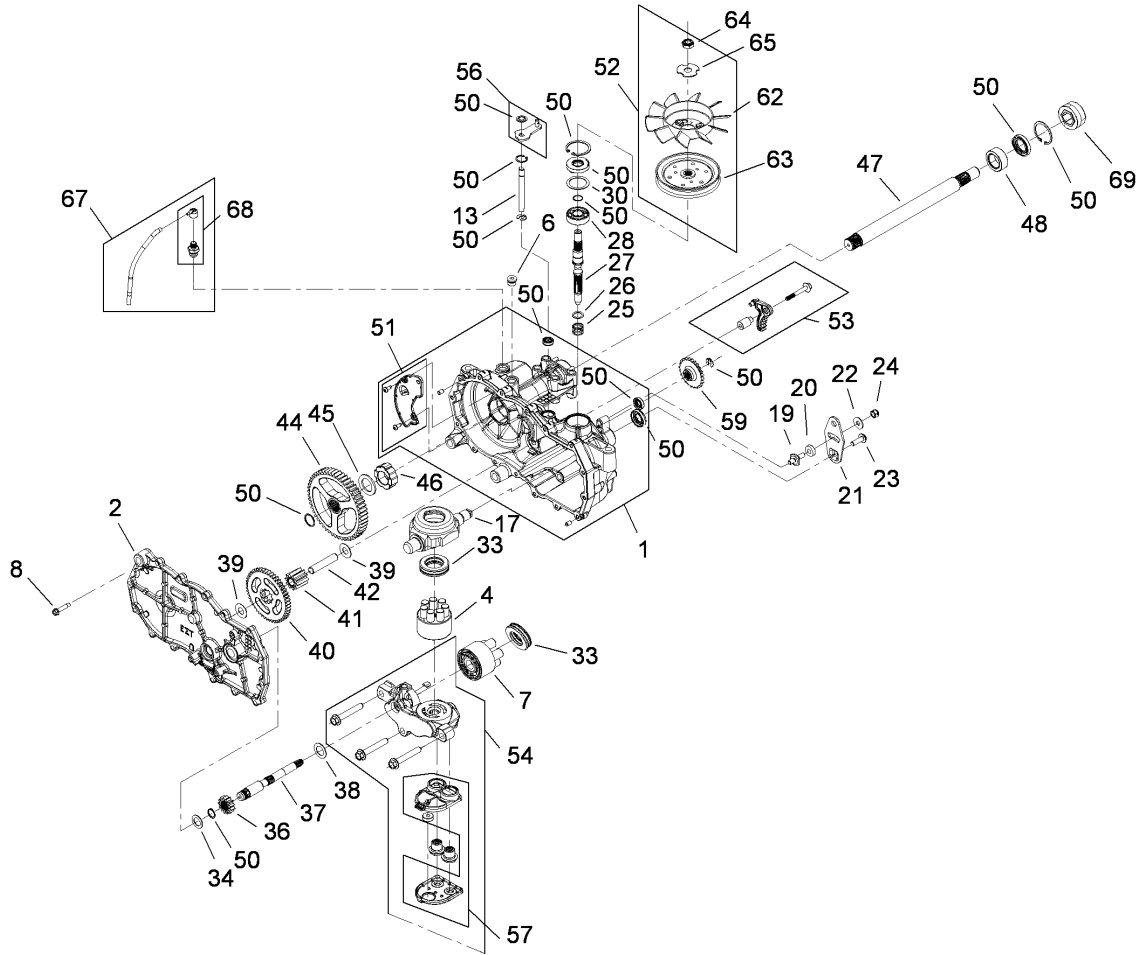
| Ref | Part No. | Qty. | Description |
|-----|----------|------|---------------------|
| 22 | 110-6787 | 2 | Rod-Bypass |
| 23 | 1-806003 | 2 | Pin-Cotter, Hair |
| 24 | 3256-22 | 2 | Washer-Flat |
| 25 | 324-8 | 4 | Screw-HH |
| 26 | 3296-48 | 2 | Nut-Lock, NI |
| 27 | 112-3979 | 2 | Hub ASM |
| 28 | 112-3982 | 2 | Nut-Lock |
| 29 | 114-8532 | 1 | Decal-Transport, LH |
| 30 | 114-8531 | 1 | Decal-Transport, RH |
| 31 | 3234-47 | 8 | Screw-HHF |
| 32 | 115-5057 | 2 | Cover-Nut, Axle |



RH Hydro Assembly No. 110-6771

| Ref | Part No. | Qty. | Description |
|-----|----------|------|-----------------------|
| 1 | 114-1630 | 1 | RH Main Housing ASM |
| 2 | 114-1631 | 1 | RH Side ASM |
| 4 | 110-8561 | 1 | Pump Block ASM |
| 6 | 104-2189 | 1 | Plug-Thread, Straight |
| 7 | 103-2666 | 1 | Cylinder Block Kit |
| 8 | 104-5305 | 16 | Screw-HHF |
| 13 | 106-8678 | 1 | Rod-Bypass |
| 17 | 104-5304 | 1 | Swashplate-Trunnion |
| 19 | 104-2116 | 1 | Stud |
| 20 | 112-9853 | 1 | Puck-Friction |
| 21 | 106-8747 | 1 | Arm-Control |
| 22 | 5-4460 | 1 | Washer-Pivot |
| 23 | 107-2488 | 1 | Screw |
| 24 | 105-1872 | 1 | Nut |
| 25 | 94-1936 | 1 | Spring-Block |
| 26 | 94-1937 | 1 | Washer-Thrust, Block |
| 27 | 104-5306 | 1 | Shaft-Input |
| 28 | 104-5311 | 1 | Bearing-Ball |
| 30 | 104-5308 | 1 | Spacer |
| 33 | 94-6922 | 2 | Bearing-Thrust |
| 34 | 104-5339 | 1 | Washer-Flat |
| 36 | 104-5316 | 1 | Gear-Pinnion, 13T |
| 37 | 114-1632 | 1 | Shaft-Motor |
| 38 | 104-5360 | 1 | Washer-Shaft, Motor |

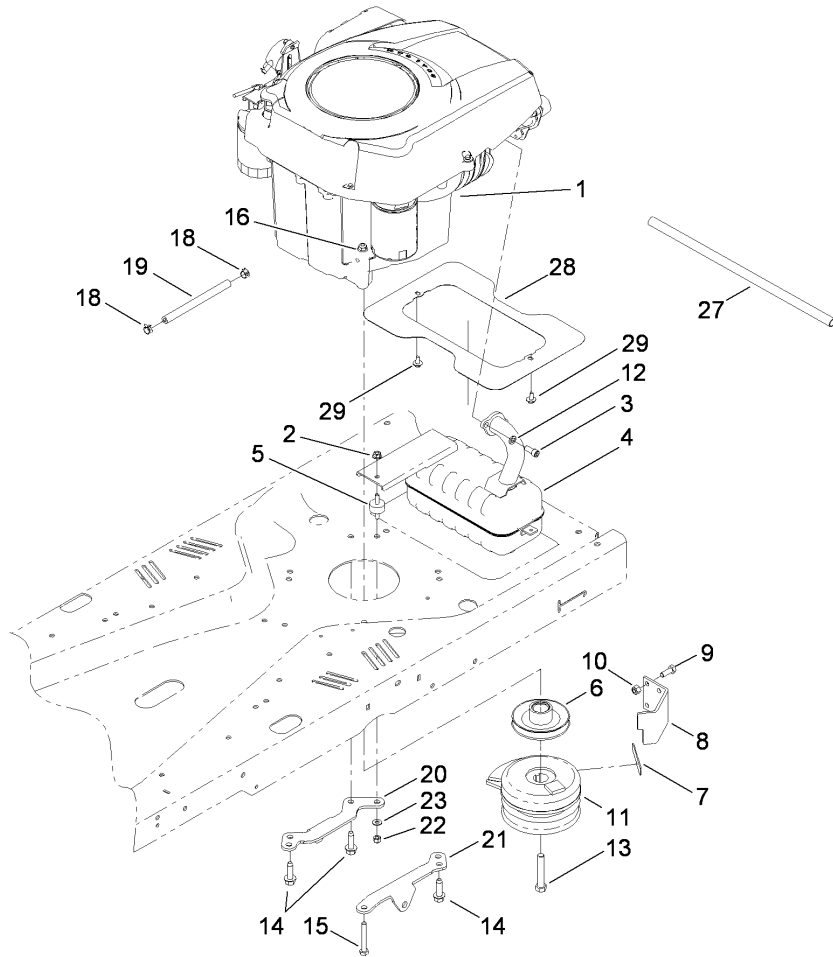
| Ref | Part No. | Qty. | Description |
|-----|----------|------|------------------------------|
| 39 | 94-1933 | 2 | Washer |
| 40 | 104-5317 | 1 | Gear |
| 41 | 104-5318 | 1 | Gear-Jackshaft, 10T |
| 42 | 104-5329 | 1 | Pin-Jackshaft |
| 44 | 112-9855 | 1 | Gear-52T, Bull |
| 45 | 112-9856 | 1 | Washer |
| 46 | 112-9857 | 1 | Bearing-Sleeve |
| 47 | 112-9858 | 1 | Shaft-Axle |
| 48 | 112-9859 | 1 | Bushing-Axle |
| 50 | 106-8686 | 1 | Seal Kit |
| 51 | 106-8697 | 1 | RH Expansion Plate Kit |
| 52 | 106-8698 | 1 | Fan Pulley Kit |
| 53 | 114-1633 | 1 | Brake Arm Kit |
| 54 | 112-9861 | 1 | RH Center Section Filter Kit |
| 55 | 104-2147 | 1 | Sealant |
| 56 | 107-2489 | 1 | Bypass Arm Kit |
| 57 | 114-1634 | 1 | Filter Kit |
| 59 | 106-8694 | 1 | Disc-Brake, Cog |
| 62 | 110-8566 | 1 | Fan-6 Inch, 10 Blade |
| 63 | 104-1754 | 1 | Pulley |
| 64 | 105-1875 | 1 | Nut-Lock |
| 65 | 107-9122 | 1 | Washer-Slotted |
| 67 | 112-9866 | 1 | Breather Kit |
| 68 | 114-1635 | 1 | Breather ASM |



LH Hydro Assembly No. 110-6770

| Ref | Part No. | Qty. | Description |
|-----|----------|------|-----------------------|
| 1 | 114-1636 | 1 | LH Main Housing ASM |
| 2 | 114-1637 | 1 | LH Side ASM |
| 4 | 110-8561 | 1 | Pump Block ASM |
| 6 | 104-2189 | 1 | Plug-Thread, Straight |
| 7 | 103-2666 | 1 | Cylinder Block Kit |
| 8 | 104-5305 | 16 | Screw-HHF |
| 13 | 106-8678 | 1 | Rod-Bypass |
| 17 | 104-5304 | 1 | Swashplate-Trunnion |
| 19 | 104-2116 | 1 | Stud |
| 20 | 112-9853 | 1 | Puck-Friction |
| 21 | 106-8747 | 1 | Arm-Control |
| 22 | 5-4460 | 1 | Washer-Pivot |
| 23 | 107-2488 | 1 | Screw |
| 24 | 105-1872 | 1 | Nut |
| 25 | 94-1936 | 1 | Spring-Block |
| 26 | 94-1937 | 1 | Washer-Thrust, Block |
| 27 | 104-5306 | 1 | Shaft-Input |
| 28 | 104-5311 | 1 | Bearing-Ball |
| 30 | 104-5308 | 1 | Spacer |
| 33 | 94-6922 | 2 | Bearing-Thrust |
| 34 | 104-5339 | 1 | Washer-Flat |
| 36 | 104-5316 | 1 | Gear-Pinnion, 13T |
| 37 | 114-1632 | 1 | Shaft-Motor |
| 38 | 104-5360 | 1 | Washer-Shaft, Motor |

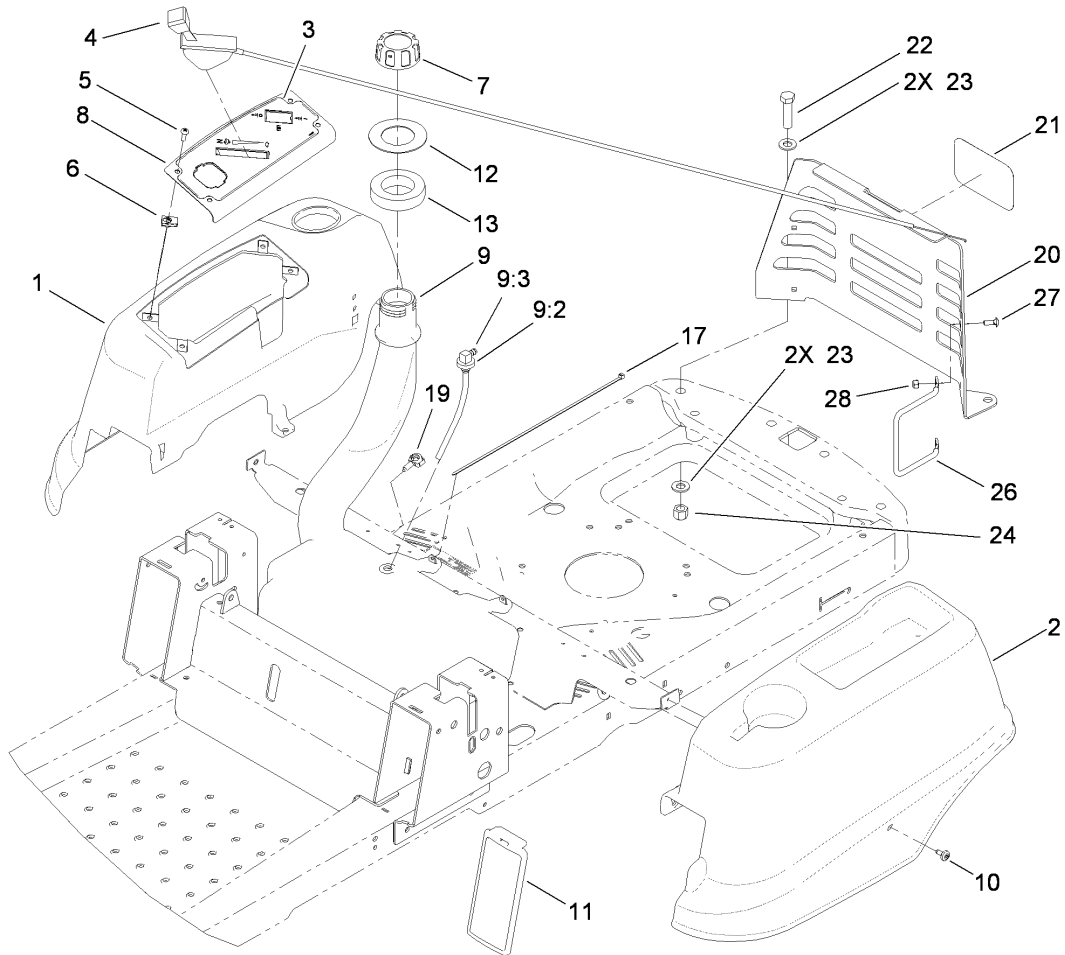
| Ref | Part No. | Qty. | Description |
|-----|----------|------|------------------------------|
| 39 | 94-1933 | 2 | Washer |
| 40 | 104-5317 | 1 | Gear |
| 41 | 104-5318 | 1 | Gear-Jackshaft, 10T |
| 42 | 104-5329 | 1 | Pin-Jackshaft |
| 44 | 112-9855 | 1 | Gear-52T, Bull |
| 45 | 112-9856 | 1 | Washer |
| 46 | 112-9857 | 1 | Bearing-Sleeve |
| 47 | 112-9858 | 1 | Shaft-Axle |
| 48 | 112-9859 | 1 | Bushing-Axle |
| 50 | 106-8686 | 1 | Seal Kit |
| 51 | 106-8687 | 1 | LH Expansion Plate Kit |
| 52 | 106-8698 | 1 | Fan Pulley Kit |
| 53 | 114-1633 | 1 | Brake Arm Kit |
| 54 | 112-9862 | 1 | LH Center Section Filter Kit |
| 55 | 104-2147 | 1 | Sealant |
| 56 | 107-2489 | 1 | Bypass Arm Kit |
| 57 | 114-1634 | 1 | Filter Kit |
| 59 | 106-8694 | 1 | Disc-Brake, Cog |
| 62 | 110-8566 | 1 | Fan-6 Inch, 10 Blade |
| 63 | 104-1754 | 1 | Pulley |
| 64 | 105-1875 | 1 | Nut-Lock |
| 65 | 107-9122 | 1 | Washer-Slotted |
| 67 | 112-9866 | 1 | Breather Kit |
| 68 | 114-1635 | 1 | Breather ASM |



Engine and Clutch Assembly

| Ref | Part No. | Qty. | Description |
|-------|-----------|------|---------------------------|
| ② ③ 1 | | 1 | Engine-Kohler, Sv610-0210 |
| 2 | 32128-33 | 1 | Nut-HF |
| 3 | 3274-10 | 2 | Screw-HSH |
| 4 | 112-4024 | 1 | Muffler-Kohler |
| 5 | 112-3976 | 1 | Isolator |
| 6 | 114-1622 | 1 | Pulley-Engine |
| 7 | 112-4033 | 1 | Bumper |
| 8 | 110-6896 | 1 | Stop-Clutch |
| 9 | 322-4 | 2 | Screw-HH |
| 10 | 3296-29 | 2 | Nut-Lock, NI |
| 11 | 110-6766 | 1 | Clutch-Electric, PTO |
| 12 | 3253-4 | 2 | Washer-Lock |
| 13 | 3212-11 | 1 | Screw-HH |
| 14 | 32144-109 | 3 | Screw |
| 15 | 322-11 | 1 | Screw-HH |
| 16 | 104-8300 | 1 | Nut-Flange, NI |
| 18 | 2412-98 | 2 | Clamp |
| 19 | 109-0306 | 1 | Hose-Fuel |
| 20 | 110-6798 | 1 | Support-Hydro, RH |
| 21 | 110-6799 | 1 | Support-Hydro, LH |
| 22 | 3296-42 | 1 | Nut-Lock, NI |
| 23 | 3256-22 | 1 | Washer-Flat |
| 27 | 106-7022 | 1 | Tube-Drain, Oil |
| 28 | 114-8544 | 1 | Shield-Heat |

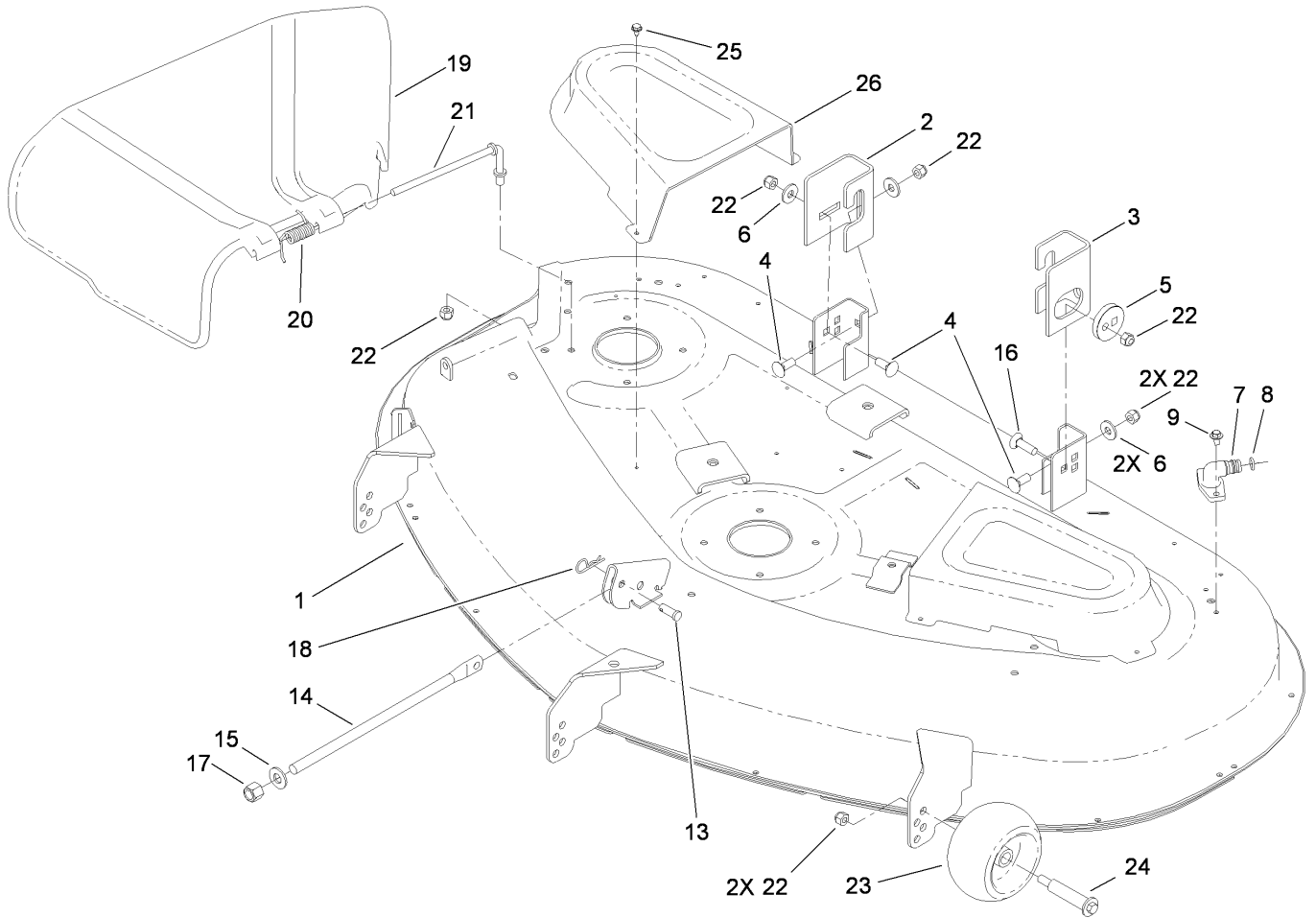
| Ref | Part No. | Qty. | Description |
|-----|----------|------|-------------|
| 29 | 46-8560 | 2 | Screw-HHF |



Styling and Fuel System Assembly

| Ref | Part No. | Qty. | Description |
|-----|-------------|------|----------------------|
| 1 | 117-1219 | 1 | Pod-RH |
| 2 | 117-1220 | 1 | Pod-LH |
| 3 | 115-2500 | 1 | Decal-Panel, Control |
| 4 | 104-3626 | 1 | Cable-Throttle |
| 5 | 3258-166 | 4 | Screw-PRH |
| 6 | 107069 | 4 | Clip |
| 7 | 93-7198 | 1 | Gas Cap ASM |
| 8 | 110-1927-03 | 1 | Panel-Control |
| 9 | 110-6890 | 1 | Fuel Tank ASM |
| 9:2 | 46-6560 | 1 | Bushing |
| 9:3 | 95-3970 | 1 | Fitting-90 Degree |
| 10 | 112-4004 | 6 | Screw-Shoulder |
| 11 | 110-6786 | 2 | Cover-Control |
| 12 | 112-9760 | 1 | Washer-Rubber |
| 13 | 55-9310 | 1 | Seal-Foam |
| 17 | 100-9064 | 1 | Tie-Cable |
| 19 | 105-1853 | 1 | Clamp-Hose |
| 20 | 110-6685-03 | 1 | Support-Cover, Rear |
| 21 | 105-8278 | 1 | Decal |
| 22 | 325-8 | 2 | Screw-HH |
| 23 | 3256-26 | 4 | Washer-Flat |
| 24 | 3296-23 | 2 | Nut-Lock, NI |
| 26 | 112-4022 | 1 | Guard-Muffler |
| 27 | 3229-1 | 2 | Screw-CARR |

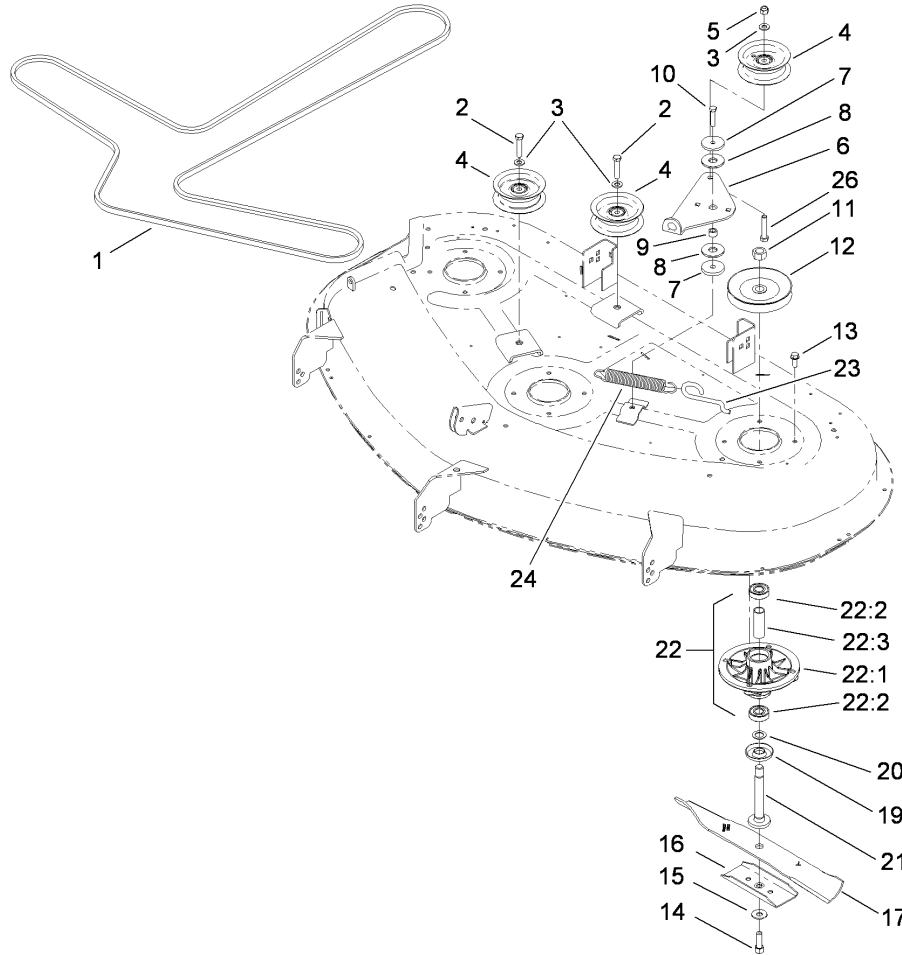
| Ref | Part No. | Qty. | Description |
|-----|----------|------|--------------|
| 28 | 3296-42 | 2 | Nut-Lock, NI |



50 Inch Deck and Side Discharge Assembly

| Ref | Part No. | Qty. | Description |
|-----|----------|------|----------------------------|
| 1 | 117-1291 | 1 | 50 Inch Deck ASM |
| 2 | 108-7836 | 1 | Bracket-Hanger, Right Rear |
| 3 | 108-7838 | 1 | Bracket-Hanger, Left Rear |
| 4 | 3231-2 | 3 | Screw-CARR |
| 5 | 112-3980 | 1 | Eccentric |
| 6 | 80-6990 | 3 | Washer-Hardened |
| 7 | 95-2747 | 2 | Fitting-Washout |
| 8 | 46-6290 | 2 | O-Ring, Seal |
| 9 | 46-8560 | 4 | Screw-HHF |
| 13 | 1-808284 | 1 | Pin-Clevis |
| 14 | 108-7847 | 1 | Rod-Lift |
| 15 | 87-7270 | 1 | Washer-Thrust |
| 16 | 3231-28 | 1 | Screw-CARR |
| 17 | 3296-23 | 1 | Nut-Lock, NI |
| 18 | 9335054 | 1 | Pin-Hair |
| 19 | 108-7895 | 1 | Deflector-50 Inch |
| 20 | 110-6694 | 1 | Spring-Torsion |
| 21 | 112-3950 | 1 | Rod-Pivot |
| 22 | 3296-39 | 8 | Nut-Lock, NI |
| 23 | 1-603299 | 3 | Roller-Scalp, Anti |
| 24 | 112-3977 | 3 | Bolt-Shoulder |
| 25 | 32104-76 | 6 | Screw |
| 26 | 108-7890 | 2 | Cover-Belt |

| | | | |
|--|--|--|--|
| | | | |
| | | | |
| | | | |
| | | | |



50 Inch Deck Spindle and Blade Assembly

| Ref | Part No. | Qty. | Description |
|------|-------------|------|----------------------------|
| 1 | 110-6892 | 1 | V-Belt |
| 2 | 323-9 | 2 | Screw-HH |
| 3 | 3256-24 | 3 | Washer-Flat |
| 4 | 106-2175 | 3 | Pulley-Idler, Flat |
| 5 | 3296-39 | 1 | Nut-Lock, NI |
| 6 | 114-8540 | 1 | Arm-Idler |
| 7 | 110-9981 | 2 | Washer-Plain |
| 8 | 114-0463 | 2 | Washer-Friction, Composite |
| 9 | 115-4986 | 1 | Spacer |
| 10 | 323-8 | 1 | Screw-HH |
| 11 | 3219-6 | 3 | Nut-Hex |
| 12 | 110-6865 | 3 | Pulley |
| 13 | 32144-41 | 12 | Screw-Taptite |
| 14 | 26-0671 | 3 | Screw-HH |
| 15 | 3290-465 | 3 | Washer-Belleville |
| 16 | 106-2248-03 | 3 | Stiffener-Blade |
| 17 | 112-9759-03 | 3 | Blade-17.50 Inch |
| 19 | 80-4360 | 3 | Shield-Bearing |
| 20 | 80-4380 | 3 | Spacer |
| 21 | 110-6866 | 3 | Shaft-Spindle |
| 22 | | 3 | Spindle ASM |
| 22:1 | 88-4510 | 1 | Housing-Spindle |
| 22:2 | 100-1048 | 2 | Bearing-Ball |
| 22:3 | 62-3661 | 1 | Spacer |

| Ref | Part No. | Qty. | Description |
|-----|----------|------|---------------------|
| 23 | 112-3973 | 1 | Hook-Return, Spring |
| 24 | 1-603414 | 1 | Spring-Extension |
| 26 | 323-10 | 1 | Screw-HH |

Attachments and Accessories

For 74391 - TimeCutter Z5000 Riding Mower

| Product Name | Model/Part |
|---|------------|
| Hour Meter Kit | 112-9763 |
| Deck Ring Kit | 114-1608 |
| Armrest Kit | 79212 |
| Replacement Blade Kit | 79221 |
| Foot Assist Cutting Unit Lift Kit | 79313 |
| Engine Cover Kit | 79314 |
| Floor Mat Kit | 79315 |
| Rear Hitch Kit | 79318 |
| 42 Inch and 50 Inch Twin Bagger | 79324 |

