



## TimeCutter™ Z4202 Riding Mower

Model No. 74381 - 290000211 and up.

### Parts Catalog

---

#### **Ordering Replacement Parts**

To order replacement parts, please supply the part number, the quantity, and the description of each part desired.

#### **Understanding Reference Numbers**

Each identified part in an illustration has a reference number. The reference number for a part also appears in the parts list, along with other information about the part.

This catalog uses two special reference number formats, one to indicate parts in a service assembly and another to indicate the quantity of a given part in an illustration.

#### **Service Assembly Reference Numbers**

Parts in service assemblies have reference numbers in the form a:b. The a represents the reference number of the entire service assembly and the b represents a sequential number unique to each part within the service assembly.

For example, a wheel assembly might be identified by reference number 6, the tire by 6:1, the valve by 6:2, and the wheel by 6:3. When you order the assembly identified by reference number 6, you receive all parts identified by reference numbers 6:1, 6:2, and 6:3. However, you may also order any part individually. Reference numbers of this type appear in illustrations and in part lists.

#### **Reference Numbers Indicating Quantity**

In an illustration, if a reference number indicates more than one part, the reference number has the form nX y. The n represents the quantity of the part, the X is the multiplication symbol, and the y represents the reference number.

For example, in an illustration, the reference number 2X 37 means that two of the parts identified by reference number 37 are indicated.

# Contents

Description	Page	Description	Page
Frame Assembly	..... 3	Oil Pan and Lubrication Assembly Kohler SV710-0031	..... 21
Deck Lift and Seat Support Assembly	..... 4	Head, Valve and Breather Assembly Kohler SV710-0031	..... 22
Seat Assembly	..... 5	Ignition and Electrical Assembly Kohler SV710-0031	..... 24
Control Assembly	..... 6	Blower Housing Assembly Kohler SV710-0031	..... 25
Hydro Drive Assembly	..... 7	Starter Assembly Kohler SV710-0031	..... 26
RH Hydro Assembly No. 110-6771	..... 8	Fuel System Assembly Kohler SV710-0031	..... 27
LH Hydro Assembly No. 110-6770	..... 10	Engine Control Assembly Kohler SV710-0031	..... 28
Engine, Clutch and Exhaust Assembly	..... 12	Air Intake and Filtration Assembly Kohler SV710-0031	..... 29
Styling and Fuel System Assembly	..... 13	Gaskets Kohler SV710-0031	..... 30
42 Inch Deck Assembly	..... 14	Decals Kohler SV710-0031	..... 31
42 Inch Deck Assembly No. 117-1290	..... 15	Attachments and Accessories List	..... 32
42 Inch Deck Decal and Recycler Assembly	..... 16		
42 Inch Deck Spindle and Belt Drive Assembly	..... 17		
Electrical Assembly	..... 18		
Crankshaft Assembly Kohler SV710-0031	..... 19		
Crankcase Assembly Kohler SV710-0031	..... 20		

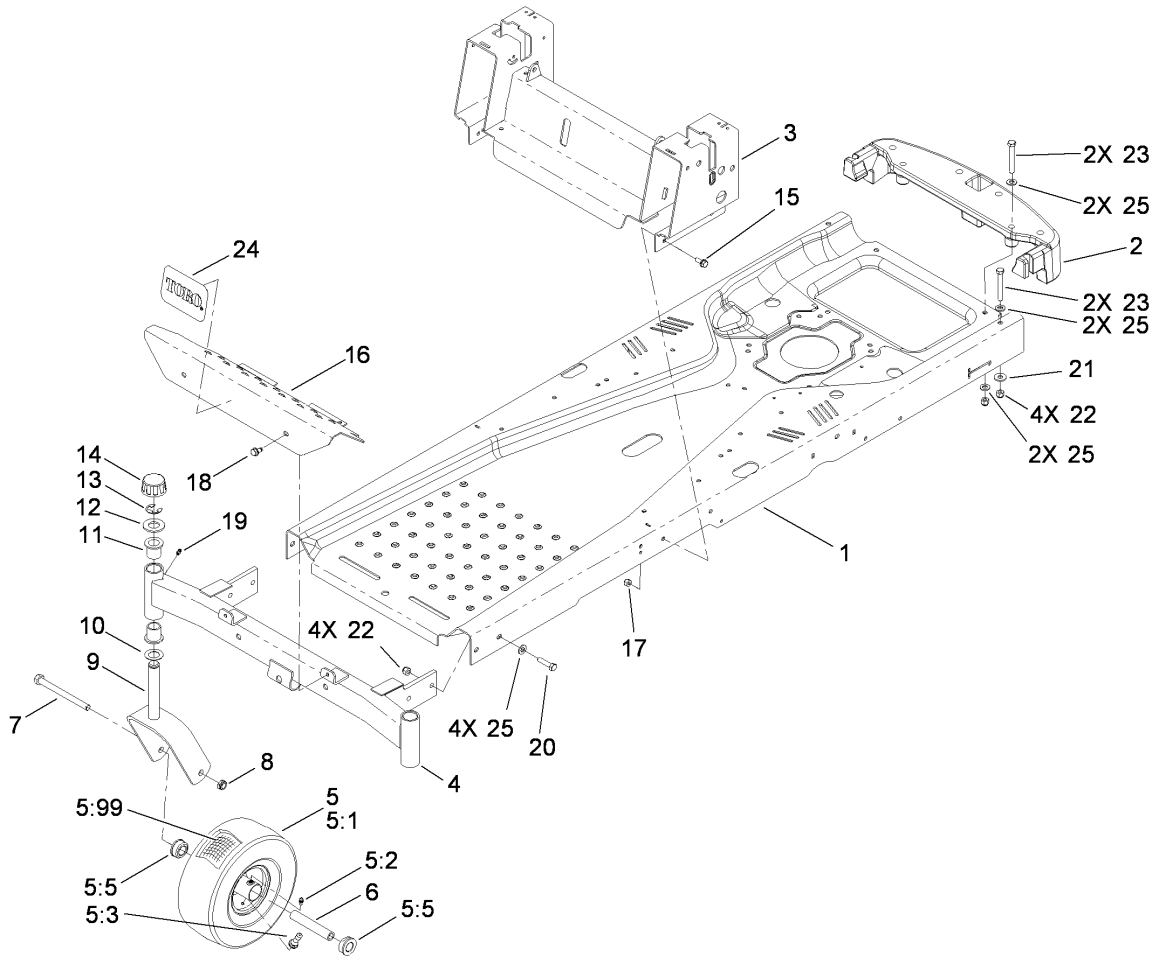
## Part Description Abbreviations

Part descriptions in this catalog may include the following abbreviations.

AR. .... as required	HWHTF. .... hex washer head thread forming
ASM. .... assembly	HYD. .... hydraulic
BBC. .... blade brake clutch	LH. .... left hand
CARR. .... carriage	NI. .... nylon insert
CCW. .... counter clock wise	NPTF. .... national pipe thread fine
CW. .... clockwise	PFH. .... phillips flat head
DEG. .... degrees	PPH. .... phillips pan head
ECM. .... electronic control module	PPHTF. .... phillips pan head thread forming
EXT. .... external	PRH. .... phillips round head
FH. .... flat head	PTH. .... phillips truss head
GA. .... gauge	PTO. .... power-take-off
HD. .... heavy-duty	RH. .... right hand
HF. .... hex flange	ROPS. .... roll-over protection system
HH. .... hex head	SFH. .... slotted fillister head
HHF. .... hex head flange	SHH. .... slotted hex head
HHFTF. .... hex head flange thread forming	SHWH. .... slotted hex washer head
HJ. .... hex jam	SPH. .... slotted pan head
HLH. .... hex lag head	SQH. .... square head
HOC. .... height-of-cut	SRH. .... slotted round head
HSBH. .... hex socket button head	STD. .... standard
HSFH. .... hex socket flat head	TAP. .... self tapping
HSH. .... hex socket head	TTH. .... torx truss head
HWH. .... hex washer head	

## Footnotes

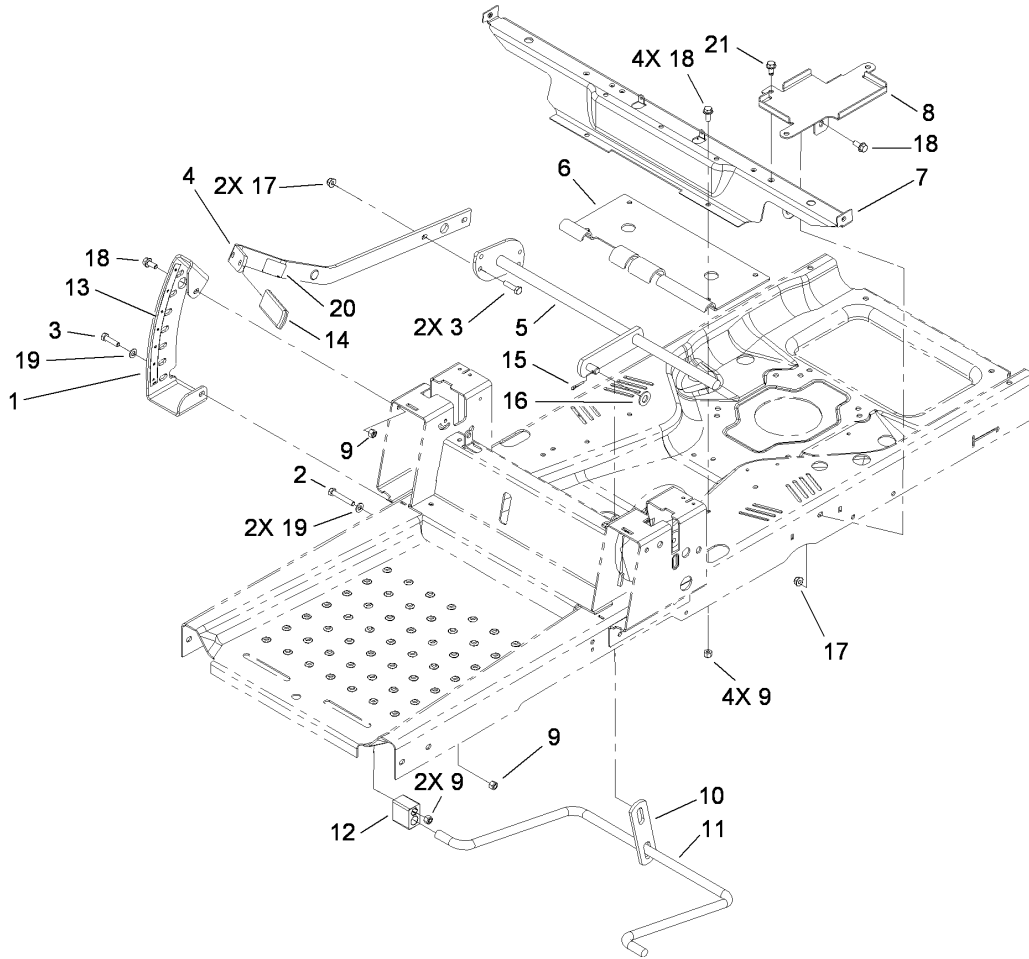
- |                      |  |
|----------------------|--|
| ❶ Not illustrated    | ❷ Not serviced separately  |
| ❸ Optional Equipment | ❹ Obtain parts from <a href="http://www.kohlerplus.com">www.kohlerplus.com</a> |



## Frame Assembly

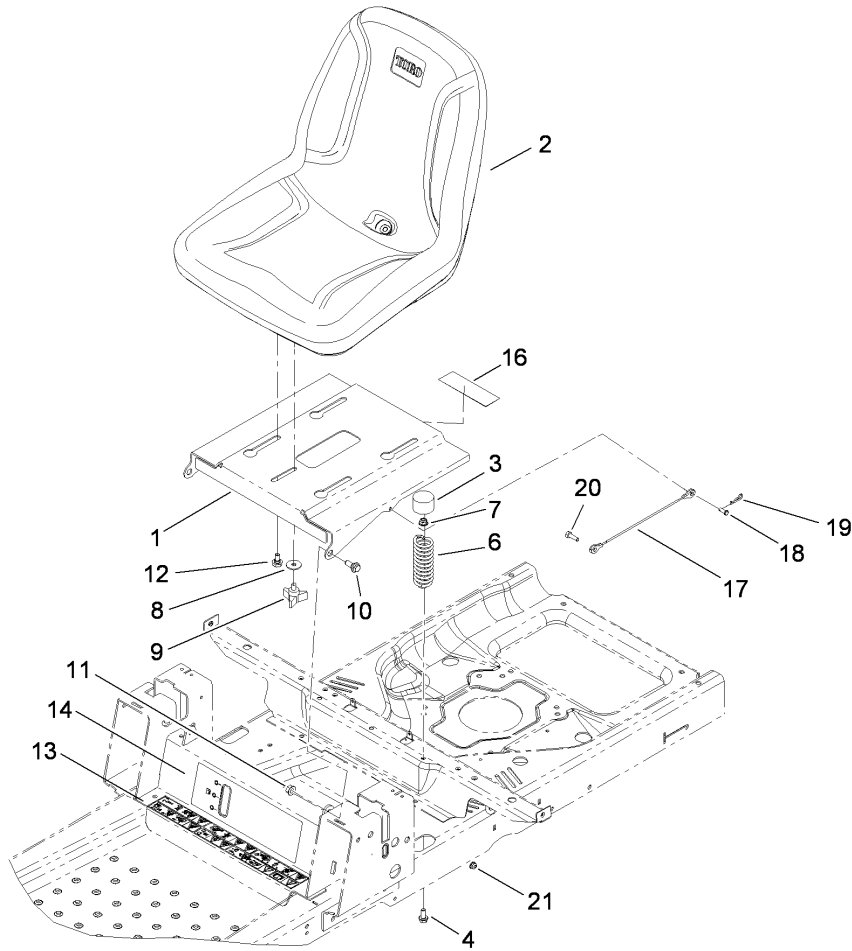
Ref	Part No.	Qty.	Description
1	115-2464-01	1	Frame
2	110-6899-03	1	Bumper-Rear
3	115-5041-03	1	Seat Pivot/Control ASM
4	108-7882-01	1	Front Axle ASM
5	105-3471	2	Front Wheel And Tire ASM
5:1	105-1943	1	Tire
5:2	302-5	1	Fitting-Grease
5:3	232-27	1	Stem-Valve
5:5	114-1640	2	Bushing-Flange
5:99	93-4244	1	Tube-Inner (W/Valve)
6	104-3667	2	Spanner-Wheel
7	325-22	2	Screw-HH
8	3296-45	2	Nut-Lock, NI
9	108-7851-01	2	Caster Fork ASM
10	110-6767	2	Washer-Thrust
11	1-303514	4	Bearing-Flanged
12	104-8076	2	Washer
13	32151-103	2	Ring-Retaining, EXT
14	61-9780	2	Cap-Hub
15	3234-47	7	Screw-HHF
16	108-7855-03	1	Footrest
17	3296-29	7	Nut-Lock, NI
18	32104-32	2	Screw-HWH
19	302-5	2	Fitting-Grease

Ref	Part No.	Qty.	Description
20	323-8	4	Screw-HH
21	80-6990	2	Washer-Hardened
22	3296-39	8	Nut-Lock, NI
23	323-13	4	Screw-HH
24	99-2385	1	Decal
25	3256-24	10	Washer-Flat



## Deck Lift and Seat Support Assembly

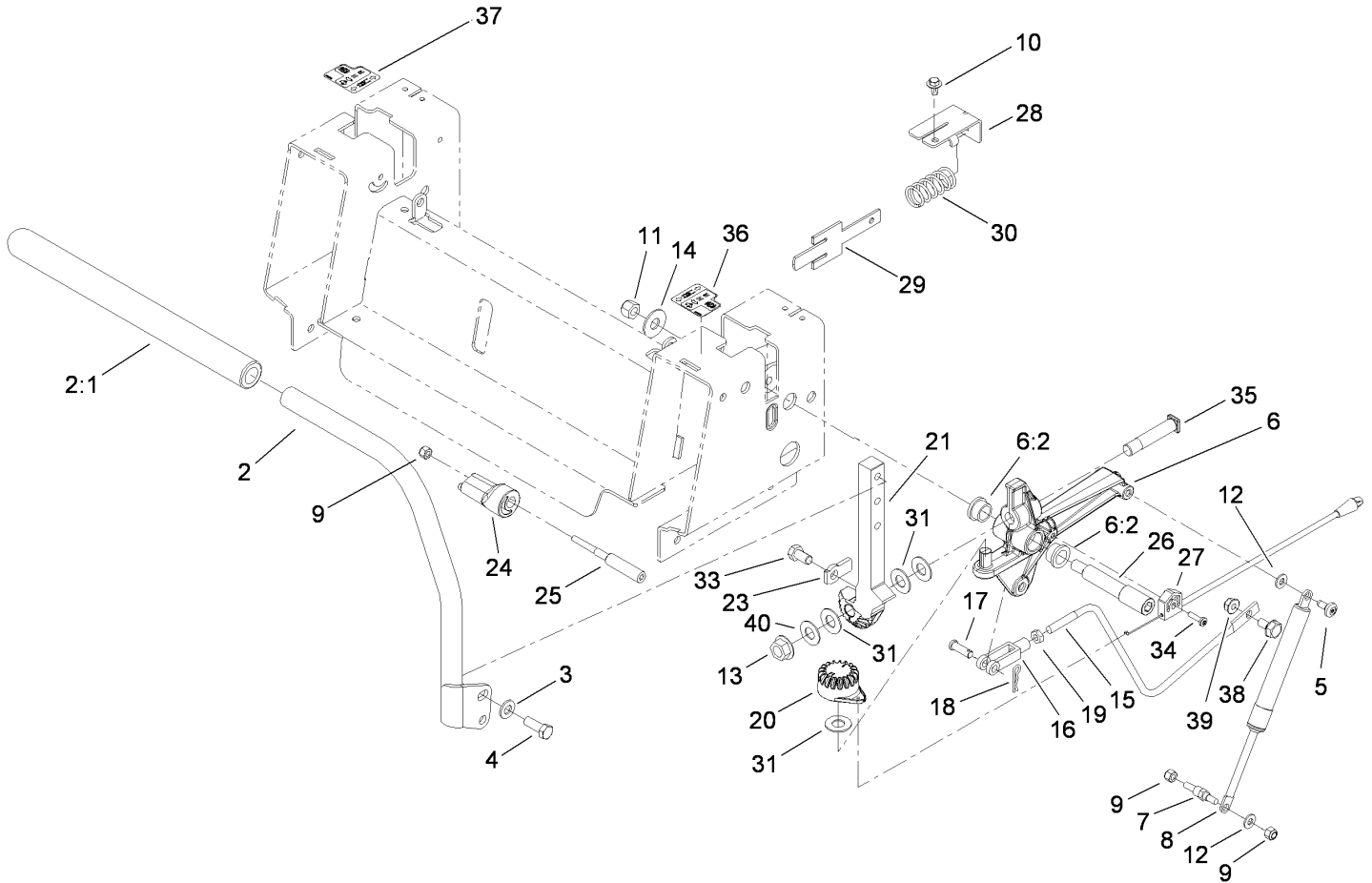
Ref	Part No.	Qty.	Description
1	112-4027-03	1	Sector-HOC
2	322-10	2	Screw-HH
3	322-6	3	Screw-HH
4	112-3960-03	1	Lift Arm ASM
5	108-7841-03	1	Lift Lever ASM
6	110-6800-03	1	Plate-Lift
7	110-6805-03	1	Bracket-Seat/Pods
8	110-1937-03	1	Tray-Battery
9	3296-29	8	Nut-Lock, NI
10	108-7840	1	Link-Lift
11	108-7839	1	Arm-Lift, Rear
12	108-7845	2	Block-Pivot
13	110-6824	1	Decal-HOC
14	105-3450	1	Grip-Lever, Lift
15	3272-10	1	Pin-Cotter
16	3256-26	1	Washer-Flat
17	104-8300	3	Nut-Flange, NI
18	3234-47	6	Screw-HHF
19	3256-23	3	Washer-Flat
20	106-8743	1	Decal
21	32104-32	1	Screw-HWH

## Seat Assembly

Ref	Part No.	Qty.	Description
1	115-2465-03	1	Base-Seat
2	117-1226	1	Seat-18 Inch
3	701178	2	Cap-Protector
4	3234-47	2	Screw-HHF
6	92-7054	2	Spring-Compression
7	104-8300	2	Nut-Flange, NI
8	5-4460	1	Washer-Pivot
9	92-9674	1	Knob
10	94-7582	2	Bolt-Shoulder
11	32128-21	2	Nut-HF
12	37-8771	4	Bolt-Shoulder
13	115-2469	1	Decal-Danger
14	115-2490	1	Decal-Timecutter
16	106-8717	1	Decal-Service
17	109-2628	1	Cable-Stop, Seat
18	60-1730	1	Pin-Clevis
19	1-806003	1	Pin-Cotter, Hair
20	321-5	1	Screw-HH
21	104-7201	1	Nut-HF

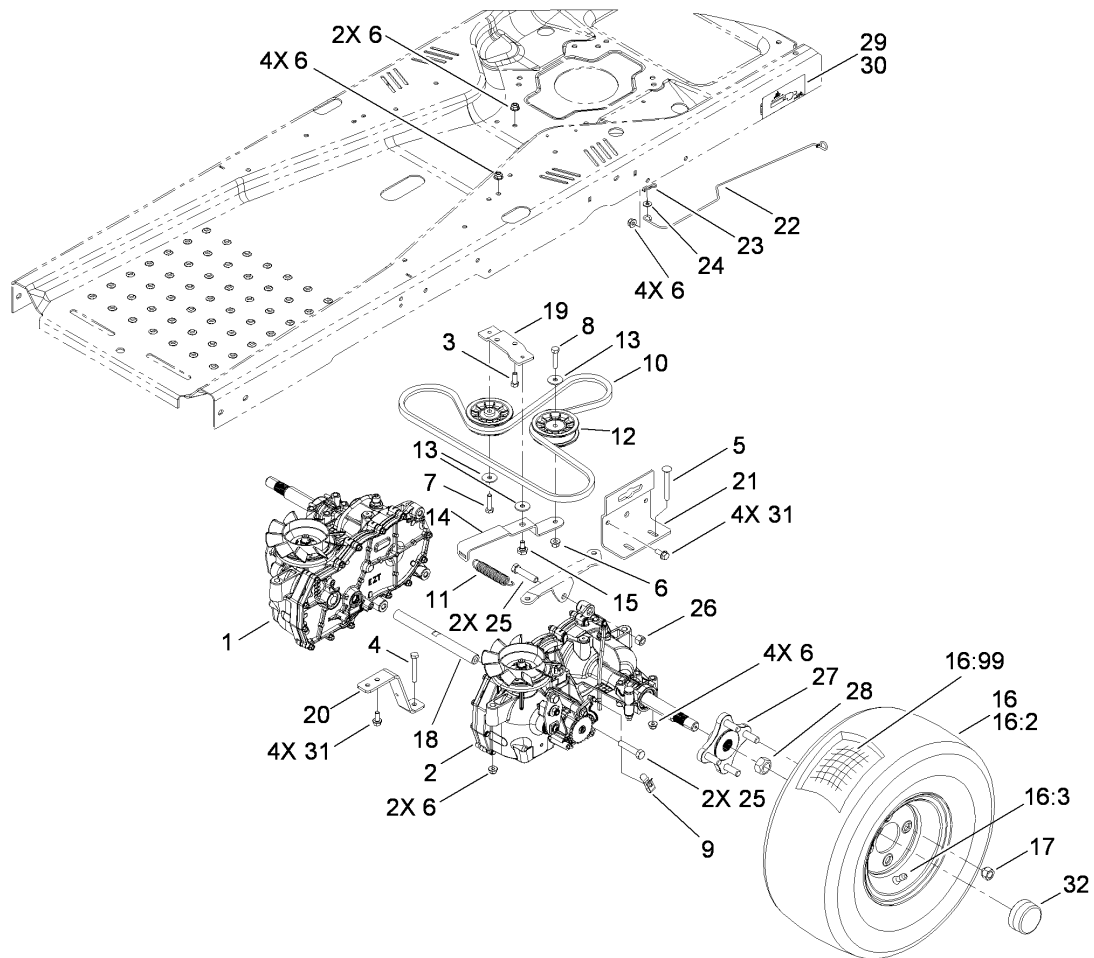
--	--	--	--



## Control Assembly

Ref	Part No.	Qty.	Description
1	110-6814	1	RH Handle ASM
1:1	108-6187	1	Grip
2	110-6815	1	LH Handle ASM
2:1	108-6187	1	Grip
3	3256-24	4	Washer-Flat
4	323-6	4	Screw-HH
5	112-4004	2	Screw-Shoulder
6	110-6828	2	Activator Arm ASM
6:2	105-3455	2	Bushing
7	110-6810	2	Stud-Damper
8	103-2913	2	Damper-Control, Motion
9	3296-42	6	Nut-Lock, NI
10	46-8560	2	Screw-HHF
11	3296-48	2	Nut-Lock, NI
12	3256-22	4	Washer-Flat
13	32128-23	2	Nut-HF
14	3256-5	2	Washer-Flat
15	110-6693	2	Link-Hydro
16	1-303105	2	Yoke-Adjustable
17	1-808280	2	Pin-Clevis
18	1-806003	2	Pin-Cotter, Hair
19	3220-2	2	Nut-Jam
20	110-6845	2	Gear-Control
21	110-6783-05	1	Arm-Actuator, LH

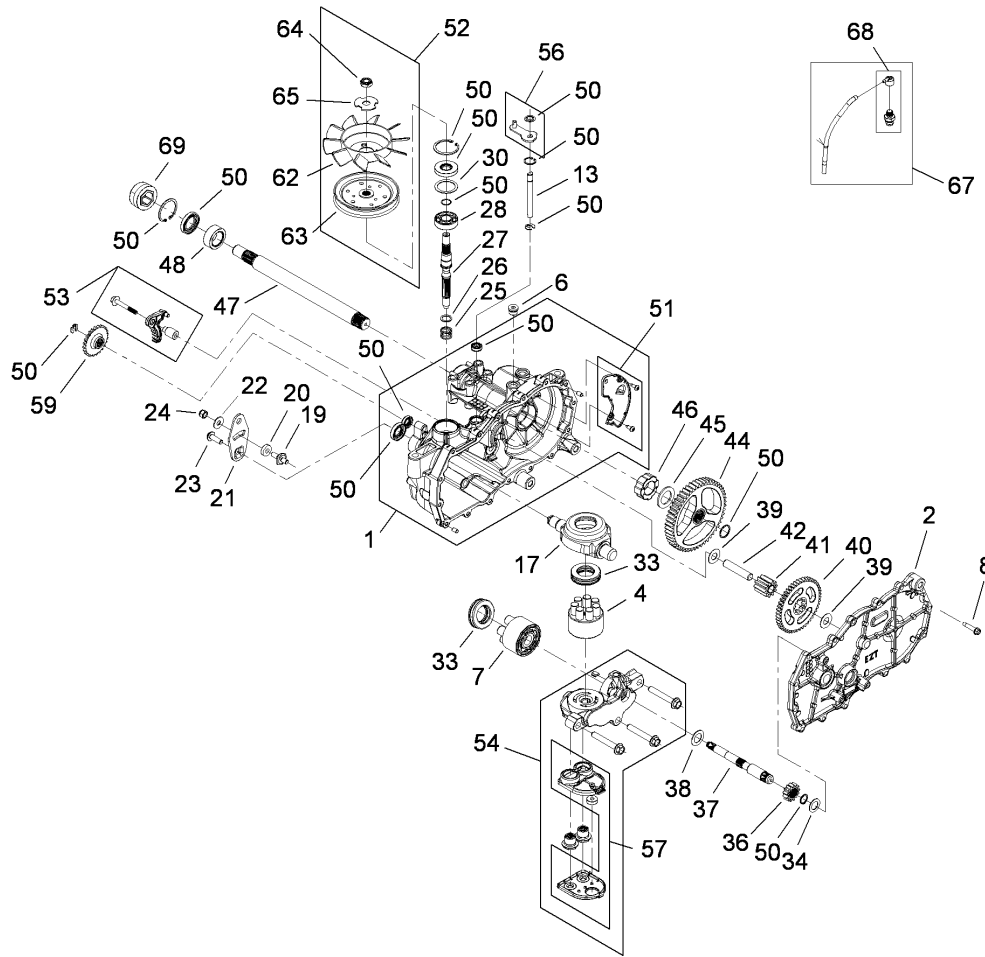
Ref	Part No.	Qty.	Description
22	110-6782-05	1	Arm-Actuator, RH
23	115-5023	2	Tab-Stop
24	110-6873	2	Eccentric
25	110-6874	2	Screw-Eccentric
26	110-6875	2	Bolt-Shoulder
27	110-6858	2	Cable-Brake, Parking
28	110-6751	2	Bracket-Return
29	110-6750	2	Plate-Return
30	110-6752	2	Spring
31	110-6894	8	Washer-Pivot
33	323-4	2	Screw-HH
34	110-0863	2	Screw-Torx
35	110-6784	2	Bolt-Shoulder
36	112-9750	1	Decal-Control Lever, LH
37	112-9751	1	Decal-Control Lever, RH
38	37-8771	2	Bolt-Shoulder
39	104-8300	2	Nut-Flange, NI
40	112-9771	2	Washer-Teflon



## Hydro Drive Assembly

Ref	Part No.	Qty.	Description
1	110-6771	1	Hydro-RH
2	110-6770	1	Hydro-LH
3	322-4	2	Screw-HH
4	322-11	2	Screw-HH
5	3230-9	4	Screw-CARR
6	104-8300	17	Nut-Flange, NI
7	322-6	1	Screw-HH
8	322-7	1	Screw-HH
9	110-6677	2	Clip-Spring
10	110-6774	1	V-Belt
11	63-1590	1	Spring-Idler
12	110-6775	2	Pulley-Idler
13	5-4460	3	Washer-Pivot
14	110-1925	1	Arm-Idler
15	37-8771	1	Bolt-Shoulder
16	110-6881	2	Wheel And Tire ASM
16:2	110-6885	1	Tire
16:3	232-27	1	Stem-Valve
16:99	107-2491	1	Tube-Tire
17	242-50	8	Nut-Lug
18	110-6807	1	Shaft-Cross
19	110-1926	1	Plate-Pivot
20	110-6806-03	2	Strap-Torque
21	110-6878-03	2	Support-Hydro

Ref	Part No.	Qty.	Description
22	110-6787	2	Rod-Bypass
23	1-806003	2	Pin-Cotter, Hair
24	3256-22	2	Washer-Flat
25	324-8	4	Screw-HH
26	3296-48	2	Nut-Lock, NI
27	112-3979	2	Hub ASM
28	112-3982	2	Nut-Lock
29	114-8532	1	Decal-Transport, LH
30	114-8531	1	Decal-Transport, RH
31	3234-47	8	Screw-HHF
32	115-5057	1	Cover-Nut, Axle

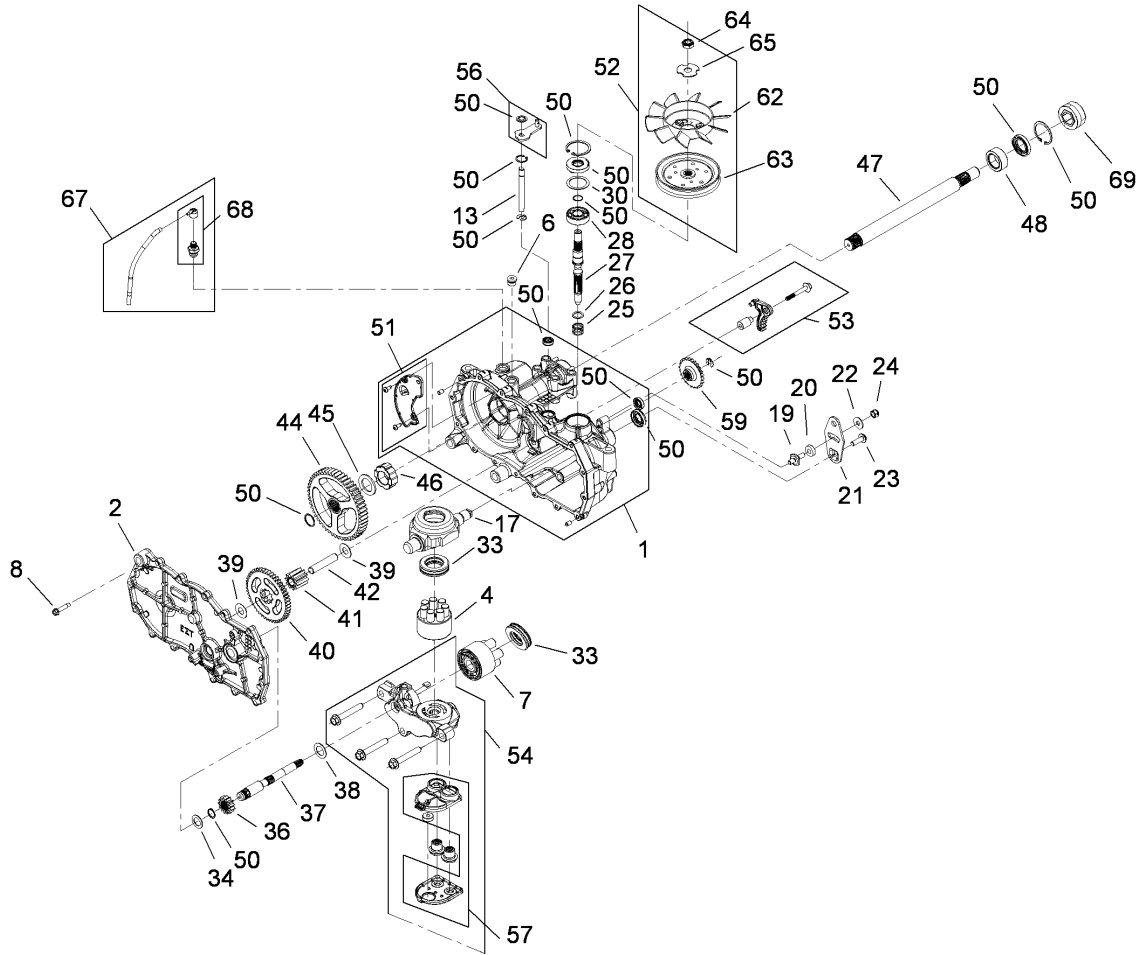


## RH Hydro Assembly No. 110-6771

Ref	Part No.	Qty.	Description
1	114-1630	1	RH Main Housing ASM
2	114-1631	1	RH Side ASM
4	110-8561	1	Pump Block ASM
6	104-2189	1	Plug-Thread, Straight
7	103-2666	1	Cylinder Block Kit
8	104-5305	16	Screw-HHF
13	106-8678	1	Rod-Bypass
17	104-5304	1	Swashplate-Trunnion
19	104-2116	1	Stud
20	112-9853	1	Puck-Friction
21	106-8747	1	Arm-Control
22	5-4460	1	Washer-Pivot
23	107-2488	1	Screw
24	105-1872	1	Nut
25	94-1936	1	Spring-Block
26	94-1937	1	Washer-Thrust, Block
27	104-5306	1	Shaft-Input
28	104-5311	1	Bearing-Ball
30	104-5308	1	Spacer
33	94-6922	2	Bearing-Thrust
34	104-5339	1	Washer-Flat
36	104-5316	1	Gear-Pinnion, 13T
37	114-1632	1	Shaft-Motor
38	104-5360	1	Washer-Shaft, Motor

Ref	Part No.	Qty.	Description
39	94-1933	2	Washer
40	104-5317	1	Gear
41	104-5318	1	Gear-Jackshaft, 10T
42	104-5329	1	Pin-Jackshaft
44	112-9855	1	Gear-52T, Bull
45	112-9856	1	Washer
46	112-9857	1	Bearing-Sleeve
47	112-9858	1	Shaft-Axle
48	112-9859	1	Bushing-Axle
50	106-8686	1	Seal Kit
51	106-8697	1	RH Expansion Plate Kit
52	106-8698	1	Fan Pulley Kit
53	114-1633	1	Brake Arm Kit
54	112-9861	1	RH Center Section Filter Kit
55	104-2147	1	Sealant
56	107-2489	1	Bypass Arm Kit
57	114-1634	1	Filter Kit
59	106-8694	1	Disc-Brake, Cog
62	110-8566	1	Fan-6 Inch, 10 Blade
63	104-1754	1	Pulley
64	105-1875	1	Nut-Lock
65	107-9122	1	Washer-Slotted
67	112-9866	1	Breather Kit
68	114-1635	1	Breather ASM



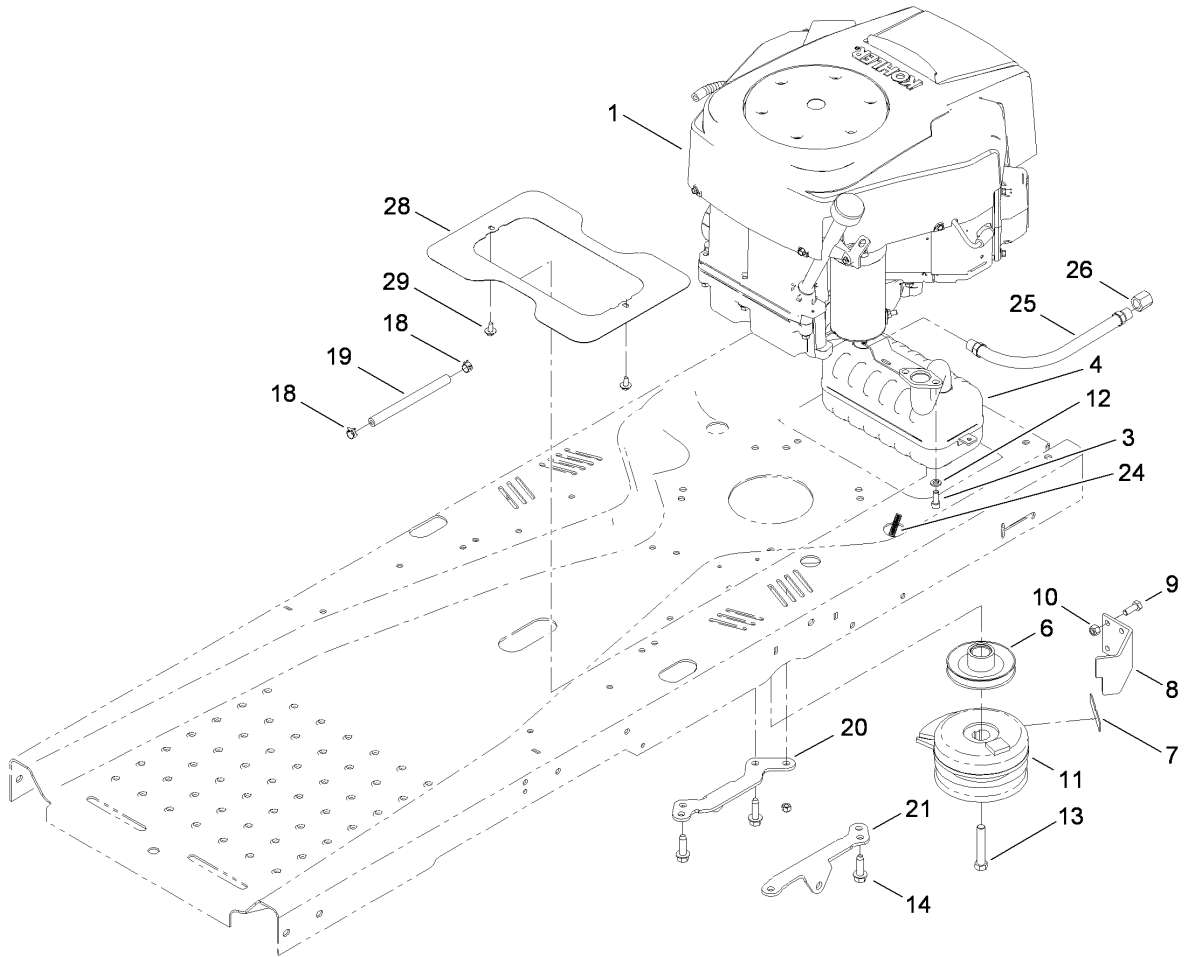


## LH Hydro Assembly No. 110-6770

Ref	Part No.	Qty.	Description
1	114-1636	1	LH Main Housing ASM
2	114-1637	1	LH Side ASM
4	110-8561	1	Pump Block ASM
6	104-2189	1	Plug-Thread, Straight
7	103-2666	1	Cylinder Block Kit
8	104-5305	16	Screw-HHF
13	106-8678	1	Rod-Bypass
17	104-5304	1	Swashplate-Trunnion
19	104-2116	1	Stud
20	112-9853	1	Puck-Friction
21	106-8747	1	Arm-Control
22	5-4460	1	Washer-Pivot
23	107-2488	1	Screw
24	105-1872	1	Nut
25	94-1936	1	Spring-Block
26	94-1937	1	Washer-Thrust, Block
27	104-5306	1	Shaft-Input
28	104-5311	1	Bearing-Ball
30	104-5308	1	Spacer
33	94-6922	2	Bearing-Thrust
34	104-5339	1	Washer-Flat
36	104-5316	1	Gear-Pinnion, 13T
37	114-1632	1	Shaft-Motor
38	104-5360	1	Washer-Shaft, Motor

Ref	Part No.	Qty.	Description
39	94-1933	2	Washer
40	104-5317	1	Gear
41	104-5318	1	Gear-Jackshaft, 10T
42	104-5329	1	Pin-Jackshaft
44	112-9855	1	Gear-52T, Bull
45	112-9856	1	Washer
46	112-9857	1	Bearing-Sleeve
47	112-9858	1	Shaft-Axle
48	112-9859	1	Bushing-Axle
50	106-8686	1	Seal Kit
51	106-8687	1	LH Expansion Plate Kit
52	106-8698	1	Fan Pulley Kit
53	114-1633	1	Brake Arm Kit
54	112-9862	1	LH Center Section Filter Kit
55	104-2147	1	Sealant
56	107-2489	1	Bypass Arm Kit
57	114-1634	1	Filter Kit
59	106-8694	1	Disc-Brake, Cog
62	110-8566	1	Fan-6 Inch, 10 Blade
63	104-1754	1	Pulley
64	105-1875	1	Nut-Lock
65	107-9122	1	Washer-Slotted
67	112-9866	1	Breather Kit
68	114-1635	1	Breather ASM

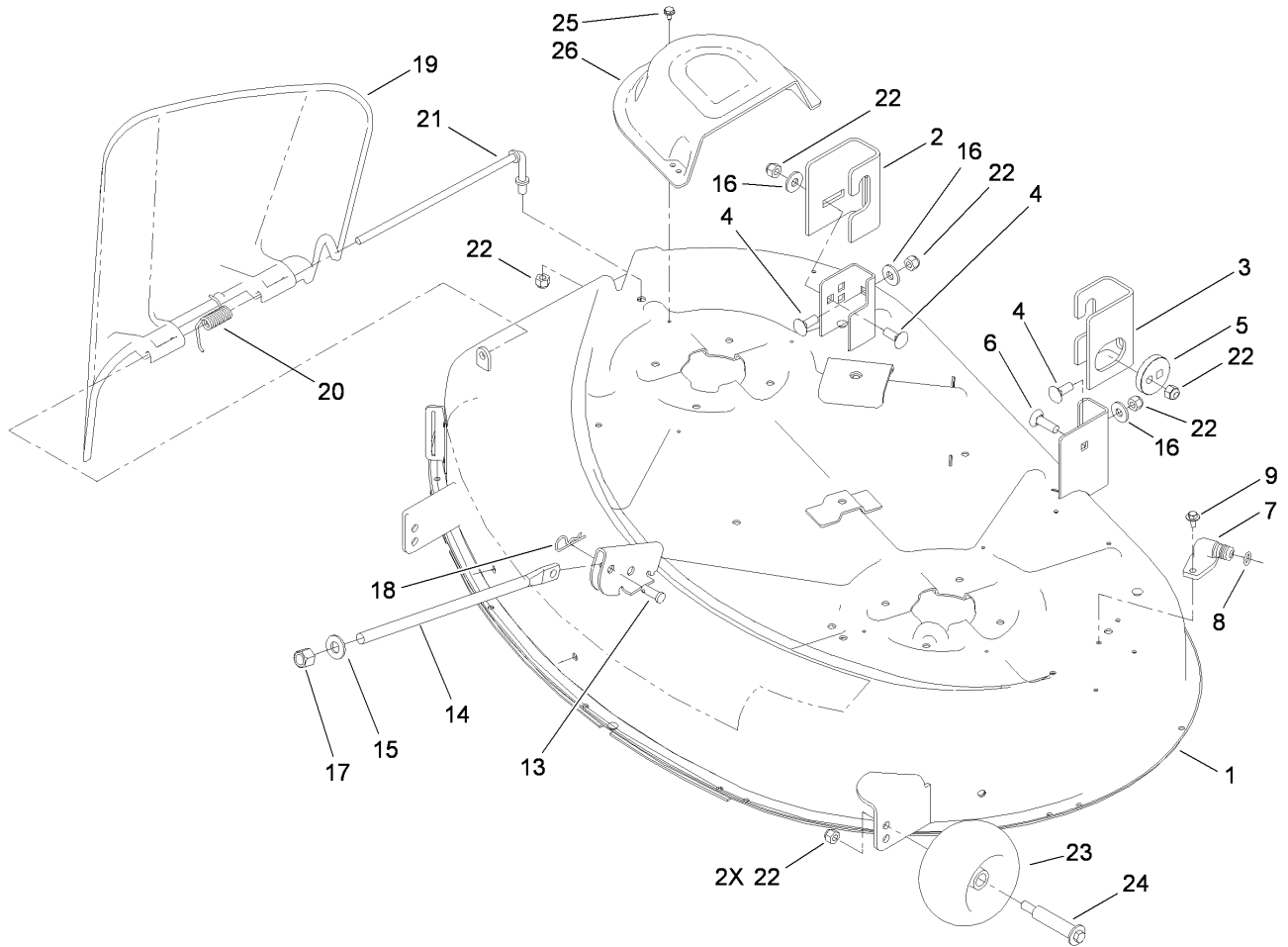




## Engine, Clutch and Exhaust Assembly

Ref	Part No.	Qty.	Description
2 4 1		1	Engine-Kohler, Sv710-0031
3	3274-10	4	Screw-HSH
4	117-1271	1	Muffler-Kohler Twin
6	114-1622	1	Pulley-Engine
7	112-4033	1	Bumper
8	110-6896	1	Stop-Clutch
9	322-4	2	Screw-HH
10	3296-29	2	Nut-Lock, NI
11	104-3334	1	Clutch-Electric
12	3253-4	4	Washer-Lock
13	3212-10	1	Screw-HH
14	32144-109	4	Screw
18	2412-98	2	Clamp
19	107-0589	1	Hose-Fuel
20	110-6798	1	Support-Hydro, RH
21	110-6799	1	Support-Hydro, LH
24	112-9849	1	Tubing-Convoluted
25	82-4201	1	HYD Hose ASM
26	288-10	1	Cap-Pipe
28	114-8544	1	Shield-Heat
29	46-8560	2	Screw-HHF

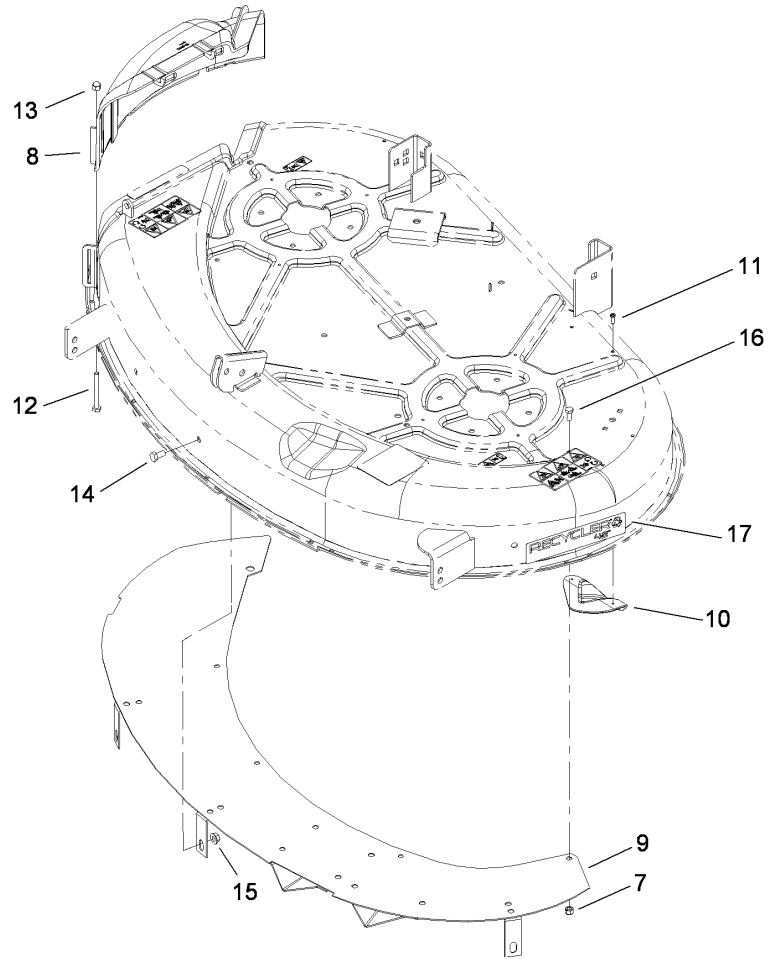


## 42 Inch Deck Assembly

Ref	Part No.	Qty.	Description
1	117-1290	1	42 Inch Deck ASM
2	108-7836	1	Bracket-Hanger, Right Rear
3	108-7838	1	Bracket-Hanger, Left Rear
4	3231-2	3	Screw-CARR
5	112-3980	1	Eccentric
6	3231-28	1	Screw-CARR
7	95-2747	1	Fitting-Washout
8	46-6290	1	O-Ring, Seal
9	46-8560	2	Screw-HHF
13	1-808284	1	Pin-Clevis
14	108-7847	1	Rod-Lift
15	87-7270	1	Washer-Thrust
16	80-6990	3	Washer-Hardened
17	3296-23	1	Nut-Lock, NI
18	9335054	1	Pin-Hair
19	112-3951	1	Deflector-42 Inch
20	110-6694	1	Spring-Torsion
21	112-4026	1	Rod-Pivot
22	3296-39	7	Nut-Lock, NI
23	1-603299	2	Roller-Scalp, Anti
24	112-3977	2	Bolt-Shoulder
25	32104-76	6	Screw
26	108-7889	2	Cover-Belt

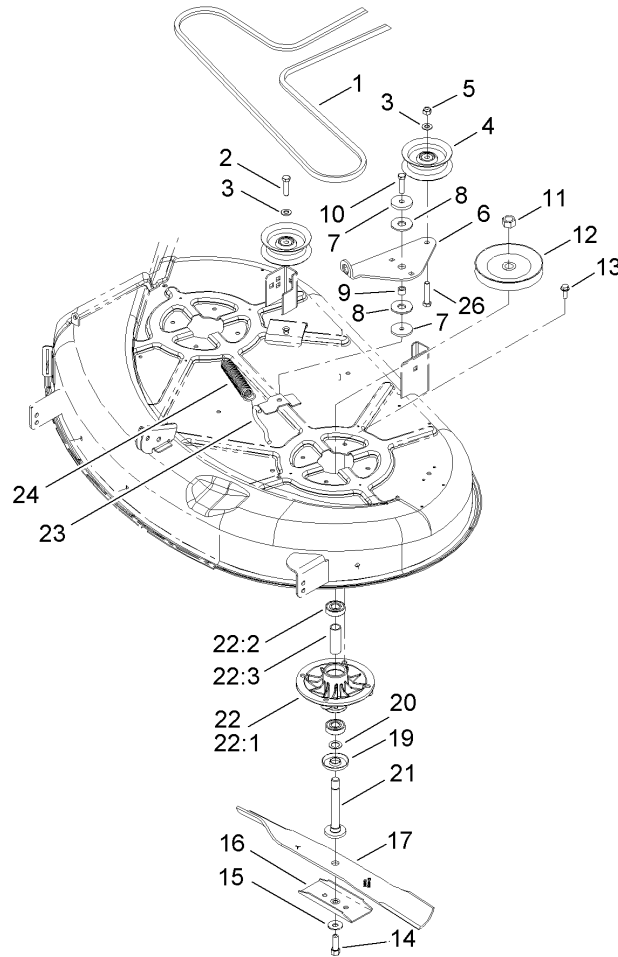


## 42 Inch Deck Decal and Recycler Assembly

Ref	Part No.	Qty.	Description
7	3296-42	4	Nut-Lock, NI
8	110-6682	1	Cover-Discharge
9	107-7316-03	1	Baffle Upper ASM
10	76-2160	3	Plate-Kicker
11	32144-111	6	Screw-PPH
12	321-15	2	Screw-HH
13	32111-7	2	Nut-Cap
14	322-2	3	Screw-HH
15	32128-25	3	Nut-HF
16	321-3	4	Screw-HH
17	106-8735	1	Decal

--	--	--	--

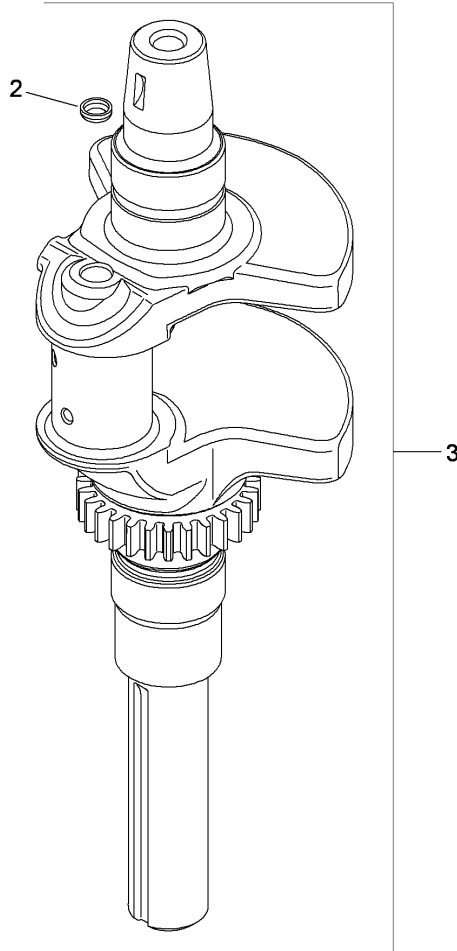


## 42 Inch Deck Spindle and Belt Drive Assembly

Ref	Part No.	Qty.	Description
1	110-6871	1	V-Belt
2	323-9	1	Screw-HH
3	3256-24	2	Washer-Flat
4	106-2175	2	Pulley-Idler, Flat
5	3296-39	1	Nut-Lock, NI
6	114-8540	1	Arm-Idler
7	110-9981	2	Washer-Plain
8	114-0463	2	Washer-Friction, Composite
9	115-4986	1	Spacer
10	323-8	1	Screw-HH
11	3219-6	2	Nut-Hex
12	110-6864	2	Pulley
13	32144-41	8	Screw-Taptite
14	26-0671	2	Screw-HH
15	3290-465	2	Washer-Belleville
16	106-2248-03	2	Stiffener-Blade
17	106-2247-03	2	Blade
19	80-4360	2	Shield-Bearing
20	80-4380	2	Spacer
21	117-1192	2	Shaft-Spindle
22		2	Spindle ASM
22:1	88-4510	1	Housing-Spindle
22:2	100-1048	2	Bearing-Ball
22:3	62-3661	1	Spacer

Ref	Part No.	Qty.	Description
23	88-5970	1	Hook-Return, Spring
24	106-2177	1	Spring-Extension
26	323-10	1	Screw-HH

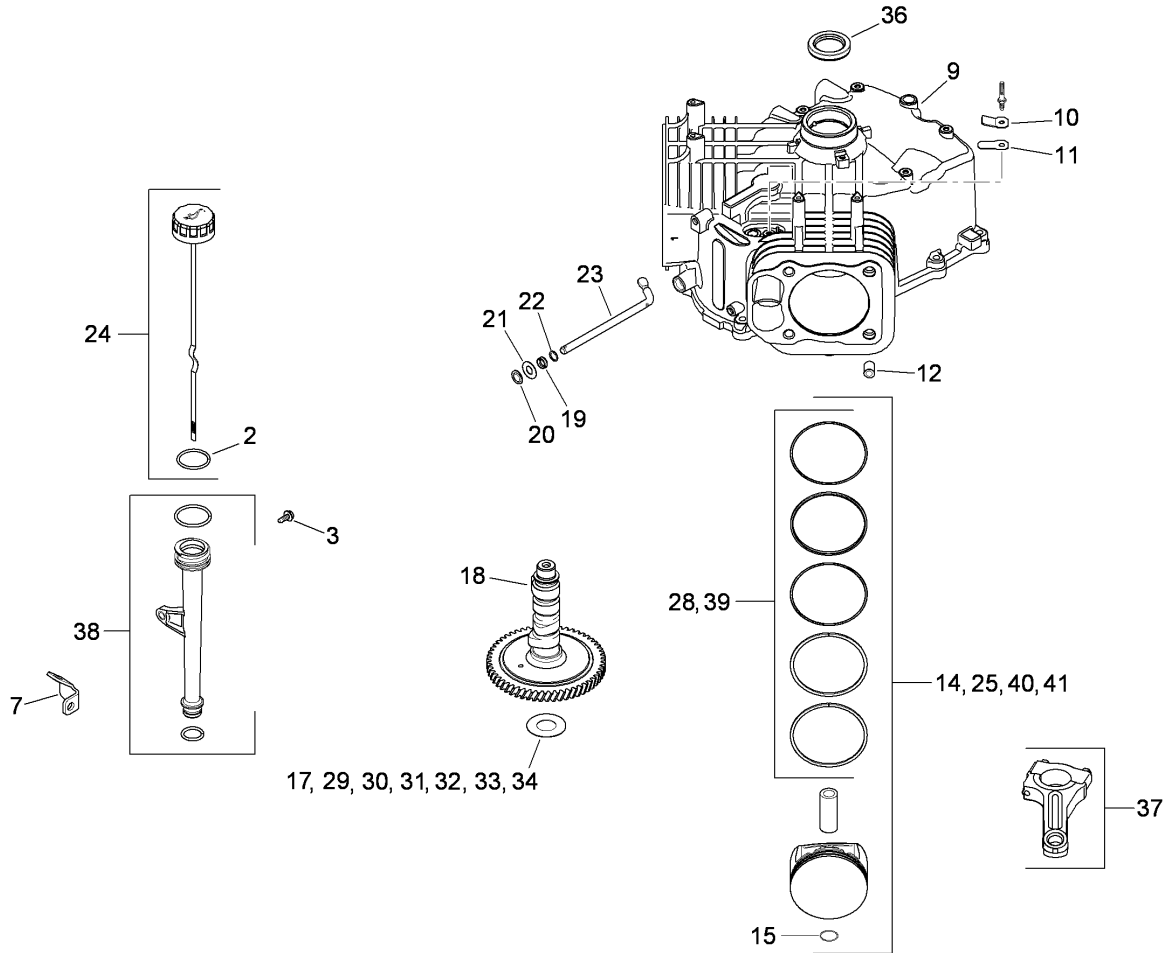




### Crankshaft Assembly Kohler SV710-0031

Ref	Part No.	Qty.	Description
②	52 139 09-S	1	Plug-Cup
③	32 014 04-S	1	Crankshaft ASM (Includes 2)

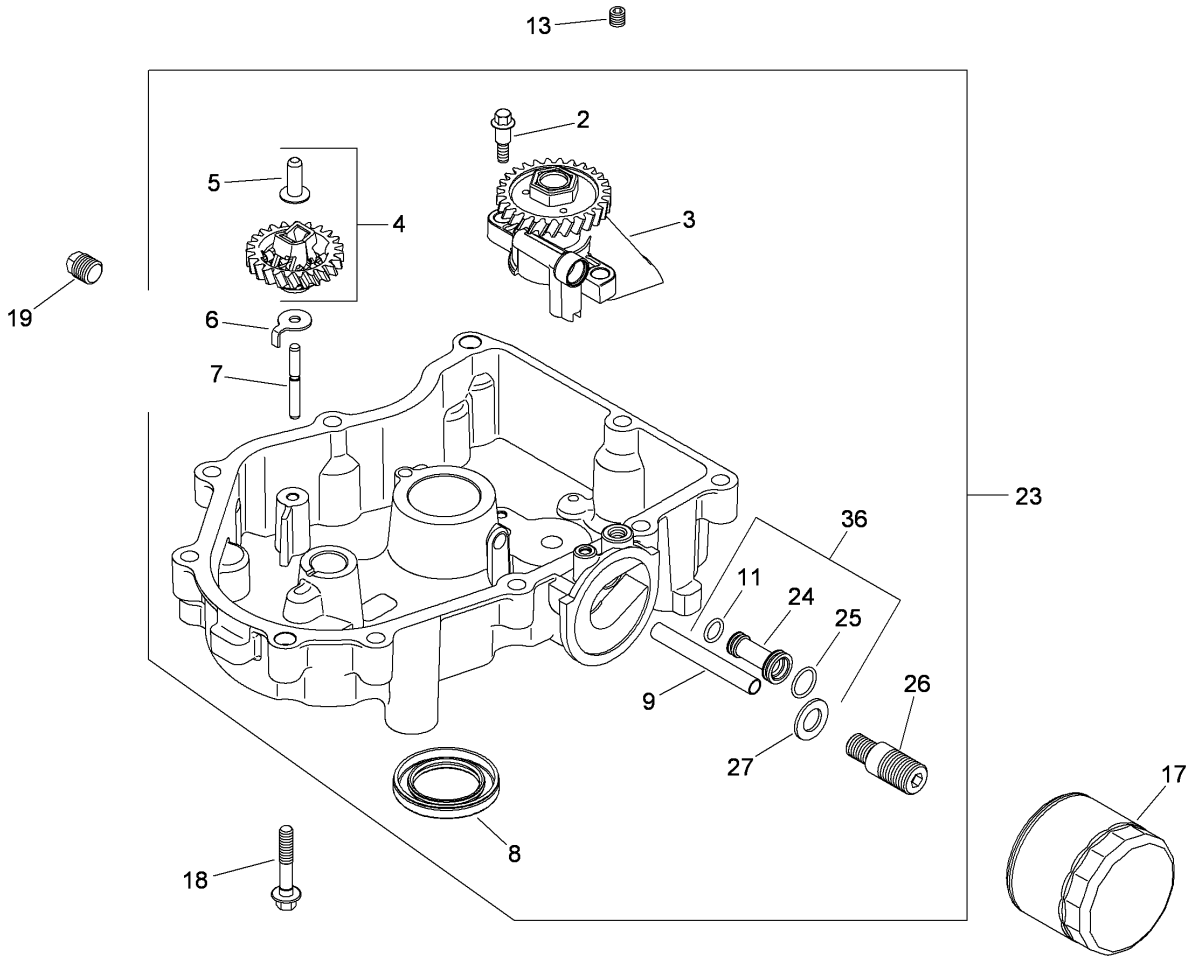
--	--	--	--



## Crankcase Assembly Kohler SV710-0031

Ref	Part No.	Qty.	Description
④2	25 153 02-S	1	O-Ring (Dipstick)
④3	M-545013-S	1	Screw-Flg, Thd Frm (M5X0.8X13)
④7	24 126 19-S	1	Bracket-Tube, Oil Fill
④9	32 522 03	1	Sv710-740 Shortblock
④10	24 018 04-S	1	Retainer-Reed, Breather
④11	12 402 02-S	1	Reed-Breather
④12	24 380 13-S	6	Pin-Locating
④14	25 874 01-S	2	Piston W/Ring Set (STD) (Includes 15, 39)
④15	24 018 01-S	4	Retainer-Pin, Piston
④17	12 422 07-S	1	Shim-Camshaft (White .028)
④18	32 012 01-S	1	Camshaft Kit (Includes 25 357 14-S)
④19	28 032 09-S	1	Seal-Cross Shaft, Governor
④20	24 018 09-S	1	Retainer-Ring
④21	M-931010-S	1	Washer-Flat (9Mm)
④22	24 468 15-S	1	Washer-Flat (11/32)
④23	24 144 38-S	1	Shaft-Cross, Governor
④24	24 038 04-S	1	Dipstick ASM (Includes 2)
④25	25 874 03-S	2	Piston W/Ring Set (.25)
④28	24 108 16-S	2	Ring Set (.25)
④29	12 422 08-S	1	Shim-Camshaft (Blue .03)
④30	12 422 09-S	1	Shim-Camshaft (Red .032)
④31	12 422 10-S	1	Shim-Camshaft (Yellow .034)

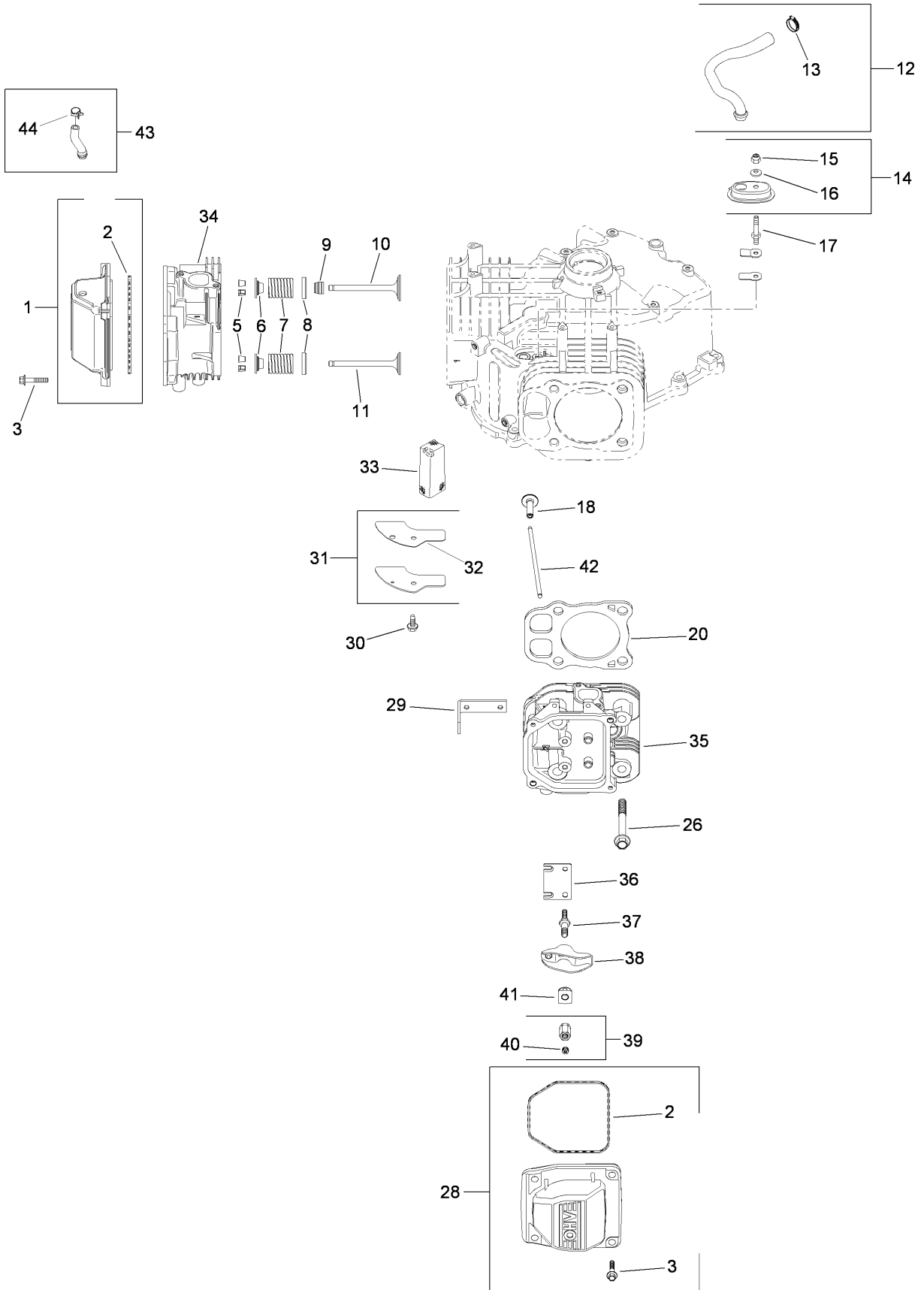
Ref	Part No.	Qty.	Description
④32	12 422 11-S	1	Shim-Camshaft (Green .036)
④33	12 422 12-S	1	Shim-Camshaft (Gray .038)
④34	12 422 13-S	1	Shim-Camshaft (Black .04)
④36	24 032 19-S	1	Seal-Oil (Helix Lip)
④37	24 067 24-S	2	Rod-Connecting (STD)
④38	25 123 07-S	1	Dipstick Tube ASM
④39	24 108 14-S	1	Ring Set (STD)
④40	32 874 09-S	1	Piston W/Ring Set (.08) (Use 24 874 27-S Kit)
④41	24 874 27-S	1	Piston W/Ring Set (.08) (Use 25 874 02-S Kit)
①④	25 357 14-S	1	Lubricant-Camshaft



## Oil Pan and Lubrication Assembly Kohler SV710-0031

Ref	Part No.	Qty.	Description
④2	32 086 01-S	2	Screw-Shoulder, Thd Frm (M6X1.0X26.5)
④3	32 393 10-S	1	Oil Pump ASM
④4	24 043 12-S	1	Governor Gear W/Pin Kit (Includes 5)
④5	12 380 01-S	1	Pin-Regulating, Governor
④6	24 448 02-S	1	Tab-Locking
④7	12 144 02-S	1	Shaft-Gear, Governor
④8	25 032 06-S	1	Seal-Oil
④9	32 123 01-S	1	Tube-Feed, Oil (Filter To Pan)
④11	24 153 01-S	2	O-Ring
④13	25 139 60-S	1	Plug-Pipe, Countersunk (1/8)
④17	12 050 01-S	1	Filter-Oil
④18	24 086 17-S	10	Screw-Flange (M8X1.25X45)
④19	25 139 57-S	1	Plug-Pipe, Sq HD (3/8)
④23	32 199 07-S	1	Oil Pan ASM (Includes 2-9, 11 [qty 1], 24-27)
④24	32 123 06-S	1	Tube-Feed, Oil
④25	32 153 05-S	1	O-Ring
④26	32 136 05-S	1	Nipple-Filter, Oil
④27	32 468 02-S	1	Washer-Flat
④36	32 123 09-S	1	Oil Feed Tube ASM (Includes 11 [qty 1], 24, 25)

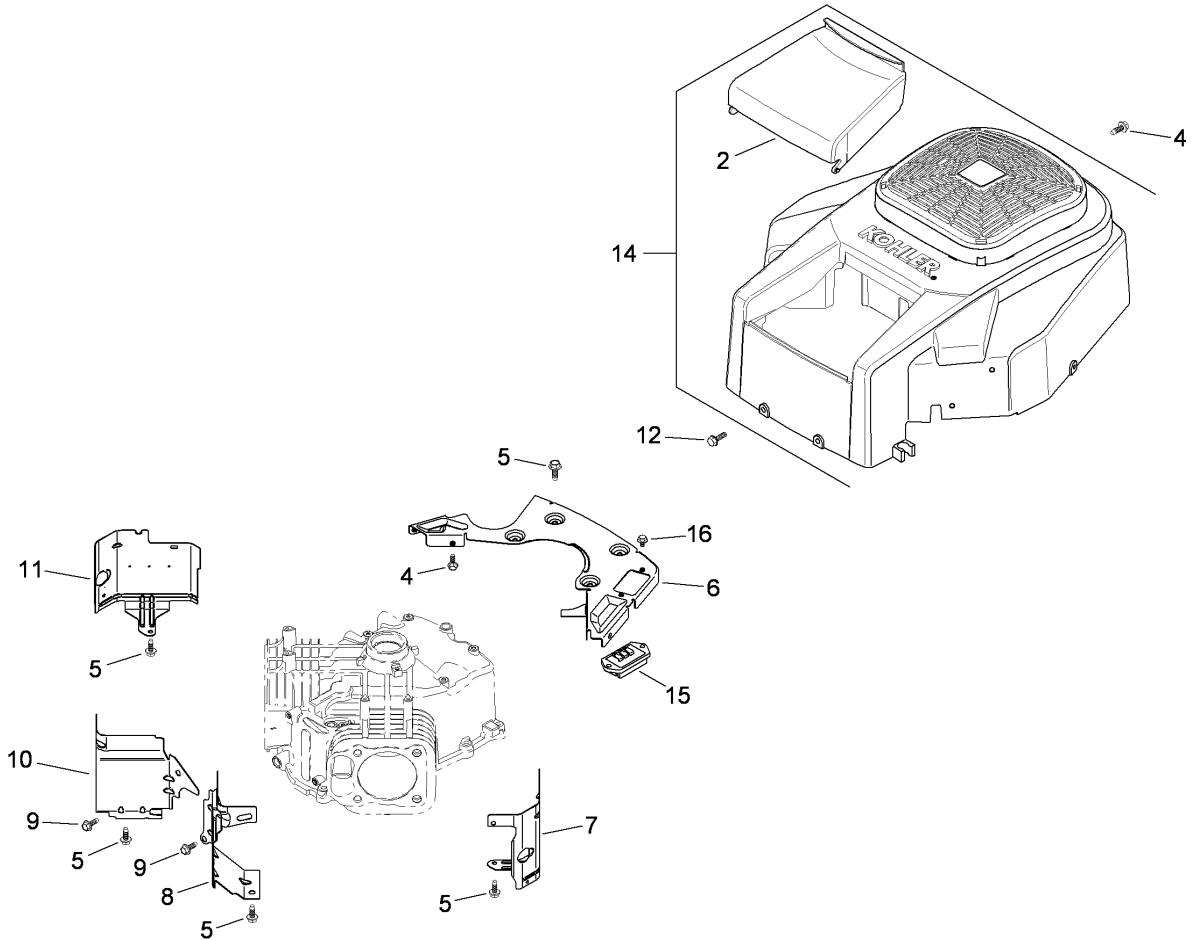

# Head, Valve and Breather Assembly Kohler SV710-0031



## Head, Valve and Breather Assembly Kohler SV710-0031

Ref	Part No.	Qty.	Description				
41	32 096 06-S	1	Breather Valve Cover Kit (Includes 2 [qty 1])				
42	24 153 30-S	2	O-Ring (Valve Cover)				
43	M-651030-S	8	Screw-Flange (M6X1.0X30)				
45	12 755 03-S	4	Retainer Kit				
46	12 173 01-S	4	Cap-Spring, Valve				
47	24 089 02-S	4	Spring-Valve				
48	235011-S	4	Retainer-Spring				
49	66 032 05-S	2	Seal-Stem, Valve				
410	24 017 01-S	2	Valve-Intake (STD)				
411	24 016 01-S	2	Valve-Exhaust (STD)				
412	32 326 06-S	1	Breather Hose Kit (Includes 13)				
413	25 237 14-S	1	Clamp-Hose, Spring (1/2)				
414	32 081 02-S	1	Breather Housing Kit (Includes 15, 16)				
415	M-547050-S	1	Nut-Lock (M5X.8)				
416	32 468 01-S	1	Washer-Sealing				
417	32 072 03-S	1	Stud-Cover, Breather				
418	32 019 02-S	4	Tappet Kit				
420	32 841 01-S	2	Cylinder Head Gasket Kit (Includes 26[qty 4], 24 041 49-S, 24 153 27-S)				
426	12 086 16-S	8	Screw-Flange (M10X1.5X90)				
428	24 755 141-S	1	Plain Rocker Cover Kit (Includes 2 [qty 1], 3 [qty 4])				
429	24 445 01-S	1	Strap-Lifting				
430	M-645016-S	1	Screw-Flange, Thread Forming (M6X1.0X16)				
431	32 096 04-S	1	Breather Cover Kit (Includes 32)				
432	32 041 01-S	1	Gasket-Cover, Breather				
433	32 050 01-S	1	Filter-Breather				
434	32 318 13-S	1	Cylinder Head No.1 ASM (Includes Exhaust Mounting Hardware)				
435	32 318 14-S	1	Cylinder Head No.2 ASM (Includes Exhaust Mounting Hardware)				
436	32 146 09-S	2	Plate-Guide				
437	32 072 04-S	4	Stud-Rocker				
438	32 186 03-S	4	Arm-Rocker				
439	32 100 05-S	4	Hex Nut ASM (Includes 40)				
440	25 086 168-S	4	Screw-Set				
441	25 599 01-S	4	Pivot-Arm, Rocker				
442	32 411 04-S	4	Rod-Push (After S/N 3633510943)				
443	32 326 07-S	1	Fuel Pump Hose W/Clamp Kit (Includes 44)				
444	25 237 01-S	1	Clamp-Hose				
14	24 041 49-S	1	Gasket-Exhaust				
14	24 153 27-S	1	O-Ring (Intake Port)				
14	32 755 03-S	2	Cylinder Head Hardware Kit (Services 1 Head-Qtys Listed For Both Heads) (Includes 5-11)				

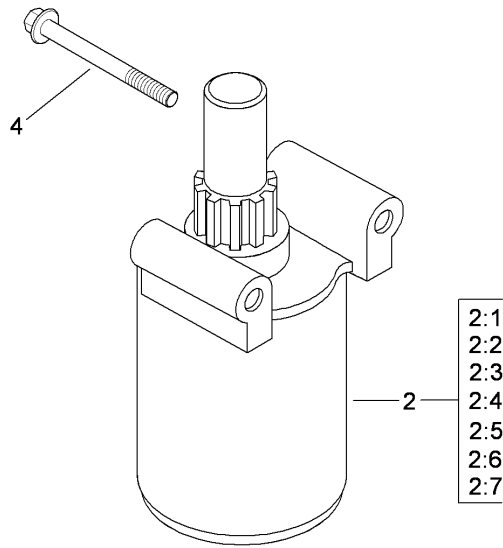




## Blower Housing Assembly Kohler SV710-0031

Ref	Part No.	Qty.	Description
④2	32 096 08-S	1	Cover-Cleaner, Air
④4	M-545016-S	6	Screw-Flange, Thread Forming (M5X0.8X16)
④5	M-645016-S	8	Screw-Flange, Thread Forming (M6X1.0X16)
④6	32 146 05-S	1	Plate-Backing
④7	32 063 12-S	1	Baffle-Barrel, Cylinder (No.2 Side)
④8	32 063 02-S	1	Baffle-Valley (No.2 Side)
④9	M-545010-S	2	Screw-HHFTF (M5X.8X10)
④10	32 063 03-S	1	Baffle-Valley (No.1 Side)
④11	32 063 10-S	1	Baffle-Barrel, Cylinder (No.1 Side)
④12	24 086 12-S	2	Screw-TAP (M6X1.7X18)
④14	32 027 08-S	1	Blower Housing ASM (Fixed Guard) (Includes 2, 41 037 10-S)
④15	41 403 10-S	1	Rectifier/Regulator
④16	25 086 158-S	2	Screw-Flanged, Thread Forming (M6X1.0X11)
①④	41 037 10-S	1	Nameplate-Service

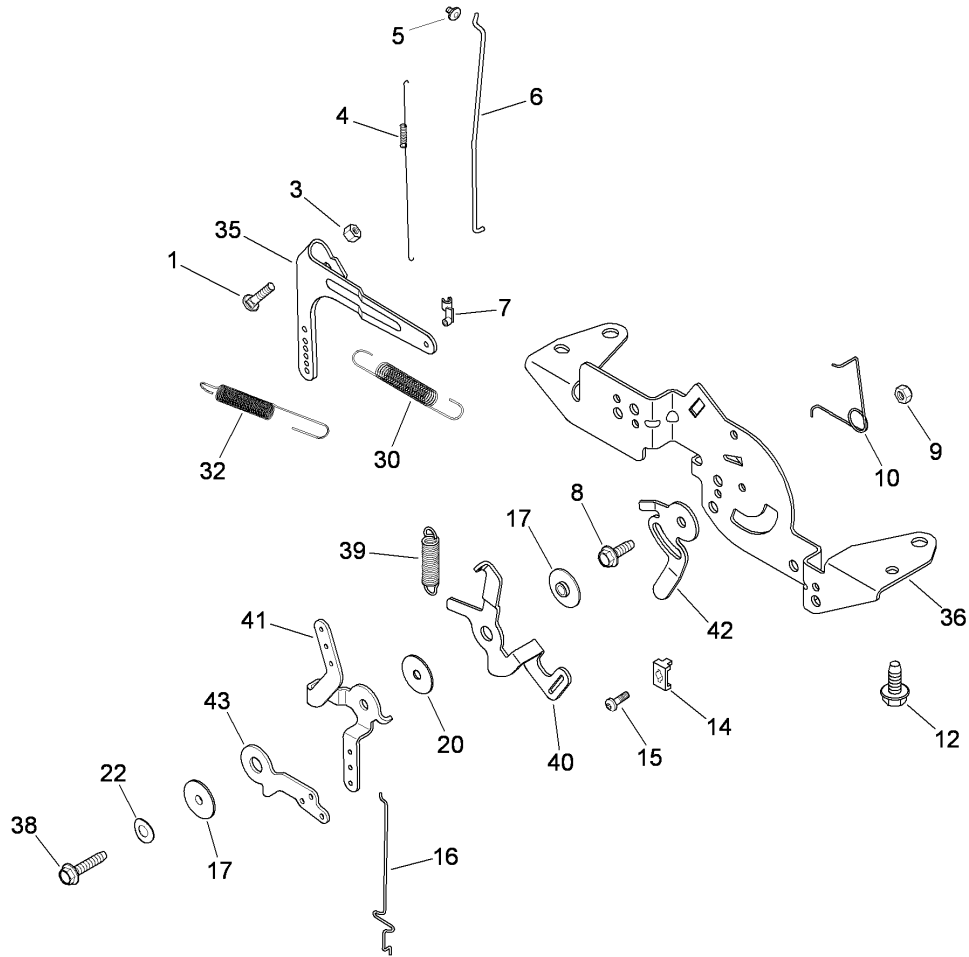
--	--	--	--



## Starter Assembly Kohler SV710-0031

Ref	Part No.	Qty.	Description			
④2	32 098 01-S	1	Starter ASM			
④2:1	12 755 39-S	1	Drive Kit			
④2:2	12 755 38-S	1	Drive Part Kit			
④2:3	32 141 01-S	1	Ring-Retaining			
④2:4	12 100 07-S	1	Nut-Flange, Hex (1/4-20)			
④2:5	12 243 04-S	1	Commutator-Cap, End			
④2:6	32 211 01-S	2	Bolt-Thru			
④2:7	32 227 01-S	1	Cap-End, Drive			
④4	M-851080-S	2	Screw-Flange (M8X1.25X80)			

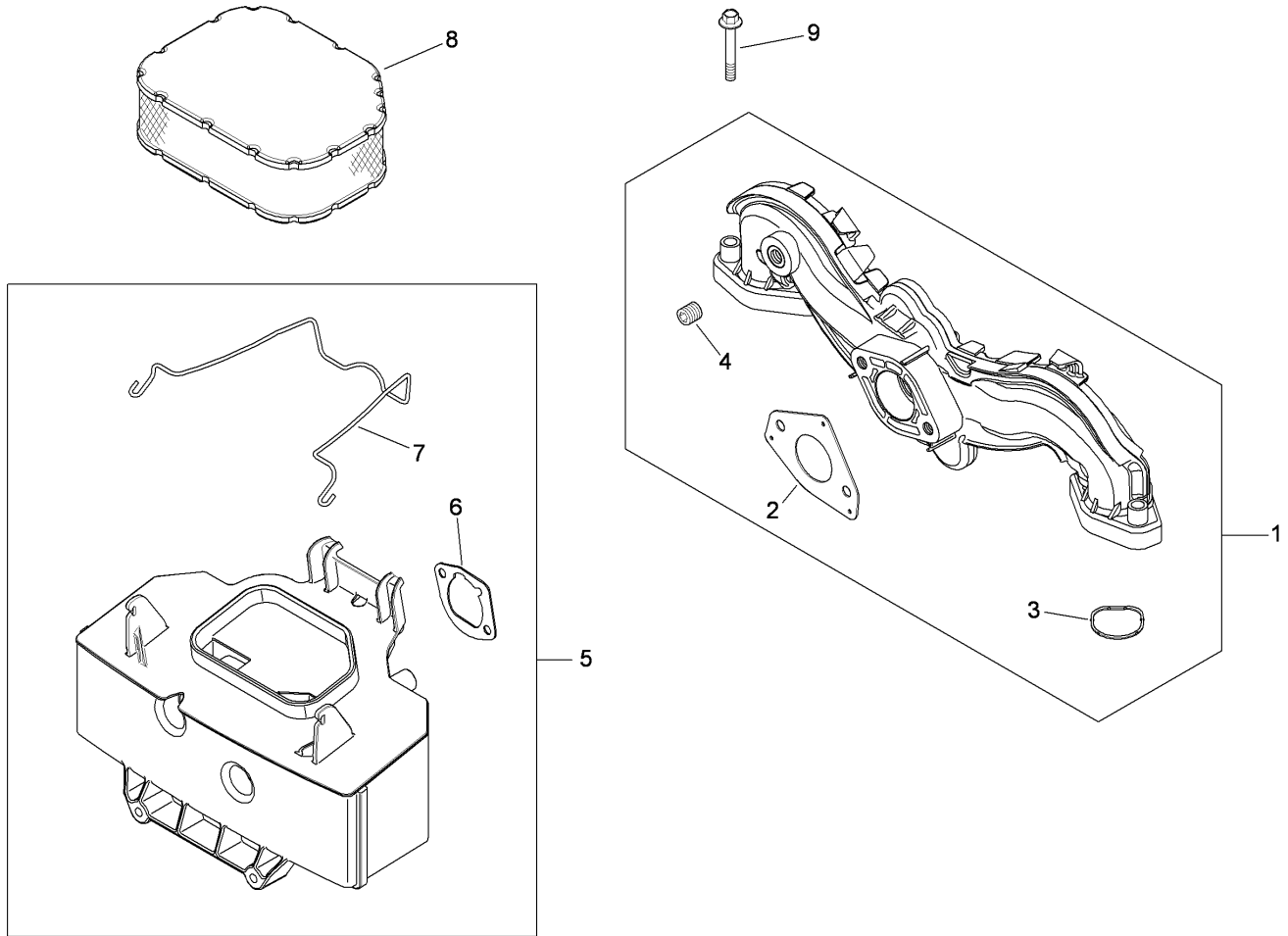




## Engine Control Assembly Kohler SV710-0031

Ref	Part No.	Qty.	Description
1	24 211 03-S	1	Bolt-Sq Neck, Rd HD (M6X1.0X25)
3	M-641060-S	1	Nut-Flange (M6X1.0)
4	24 089 01-S	1	Spring-Linkage
5	25 158 08-S	1	Bushing-Linkage, Throttle
6	24 079 04-S	1	Linkage-Throttle
7	25 158 11-S	1	Bushing-Retaining, Linkage
8	M-545016-S	1	Screw-Flange, Thread Forming (M5X0.8X16)
9	M-547050-S	1	Nut-Lock (M5X.8)
10	24 089 03-S	1	Spring-Return, Choke
12	M-645016-S	4	Screw-Flange, Thread Forming (M6X1.0X16)
14	12 237 01-S	1	Clamp-Cable
15	24 086 43-S	1	Screw-Lbd, Thd Frm (M5X0.8X16)
16	24 079 22-S	1	Linkage-Choke
17	24 112 27-S	2	Control Spacer ASM
20	24 468 01-S	1	Washer-Flat (5.5Mm)
22	41 468 03-S	1	Washer-Spring (1/4)
30	24 089 55-S	1	Spring-Governor
32	24 089 56-S	1	Spring-Governor
35	24 090 51-S	1	Lever-Governor
36	24 126 172-S	1	Bracket-Control
38	25 086 151-S	1	Screw-Thread Forming (M5X0.8X25Mm)

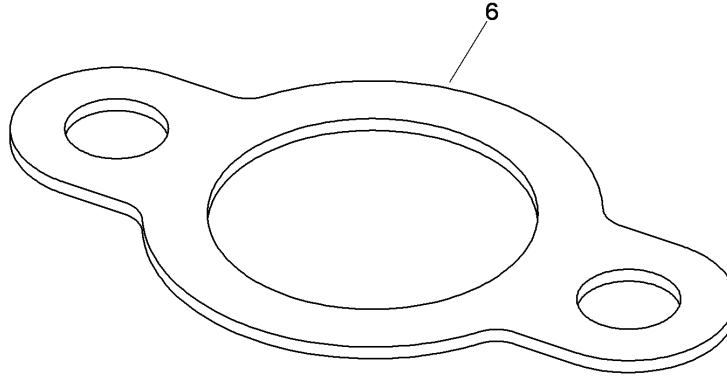
Ref	Part No.	Qty.	Description
39	32 089 03-S	1	Spring-Control, Speed
40	32 090 07-S	1	Lever-Spring, Governor
41	32 090 08-S	1	Lever-Control, Speed
42	32 090 09-S	1	Lever-Setting, Speed
43	32 090 10-S	1	Lever-Choke



## Air Intake and Filtration Assembly Kohler SV710-0031

Ref	Part No.	Qty.	Description
❶	24 164 91-S	1	Intake Manifold ASM (Includes 2-4)
❷	24 041 52-S	1	Gasket-Carburetor
❸	24 153 27-S	2	O-Ring (Intake Port)
❹	25 139 60-S	1	Plug-Pipe, Countersunk (1/8)
❺	32 094 04-S	1	Air Cleaner Base Kit (Includes 6, 7)
❻	24 041 14-S	1	Gasket-Base, Air Cleaner
❼	32 344 02-S	1	Latch-Element, Air Cleaner
❽	32 083 03-S	1	Element-Filter, Air
❾	M-651040-S	4	Screw-Flange (M6X1.0X40)

--	--	--	--



## Gaskets Kohler SV710-0031

Ref	Part No.	Qty.	Description
④6	24 041 49-S	2	Gasket-Exhaust
①④	32 755 01-S	1	Overhaul Gasket Kit

|--|--|--|--|



# Attachments and Accessories

## For 74381 - TimeCutter Z4202 Riding Mower

Product Name	Model/Part
Smooth Tread Front Tire Kit .....	110-6739
Hour Meter Kit .....	112-9763
42 Inch Blowout Ring Kit .....	114-1620
Armrest Kit .....	79212
42 Inch Replacement Blade Kit .....	79220
Foot Assist Cutting Unit Lift Kit .....	79313
Engine Cover Kit .....	79314
Floor Mat Kit .....	79315
Rear Hitch Kit .....	79318
42 Inch and 50 Inch Twin Bagger .....	79324

# NOTES

# NOTES

# NOTES

