



**Count on it.**

**Parts Catalog**

**Commercial Walk-Behind Mower  
Floating Deck T-Bar Gear with 48in TURBO  
FORCE® Cutting Unit**

**Model No. 30098—Serial No. 290001001 and Up**

# Ordering Replacement Parts

To order replacement parts, please supply the part number, the quantity, and the description of each part desired.

## Understanding Reference Numbers

Each identified part in an illustration has a reference number. The reference number for a part also appears in the parts list, along with other information about the part.

This catalog uses two special reference number formats, one to indicate parts in a service assembly and another to indicate the quantity of a given part in an illustration.

## Service Assembly Reference Numbers

Parts in service assemblies have reference numbers in the form a:b. The a represents the reference number of the entire service assembly and the b represents a sequential number unique to each part within the service assembly.

For example, a wheel assembly might be identified by reference number 6, the tire by 6:1, the valve by 6:2, and the wheel by 6:3. When you order the assembly identified by reference number 6, you receive all parts identified by reference numbers 6:1, 6:2, and 6:3. However, you may also order any part individually. Reference numbers of this type appear in illustration and in parts lists.

## Reference Numbers Indicating Quantity

In an illustration, if a reference number indicates more than one part, the reference number has the form nX y. The n represents the quantity of the part, the X is the multiplication symbol, and the y represents the reference number.

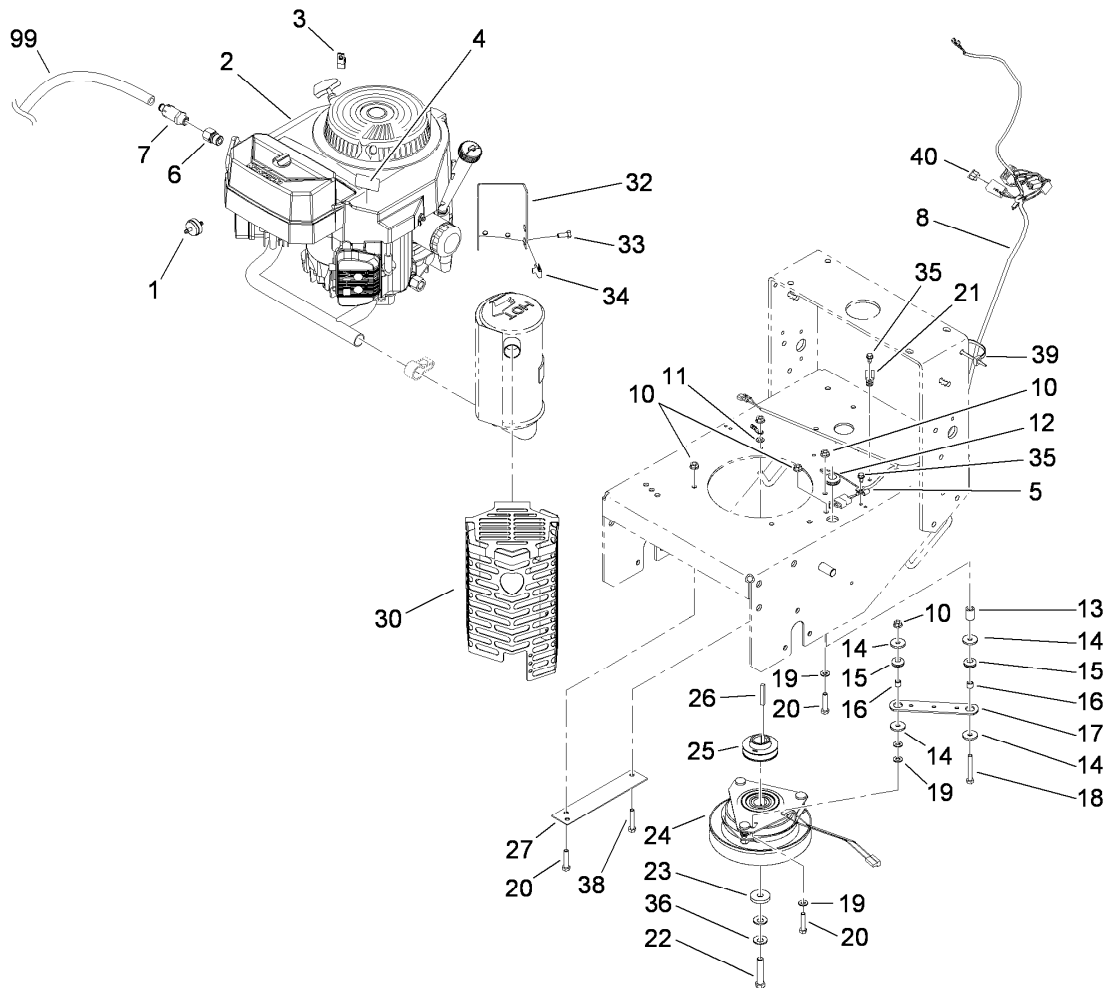
For example, in an illustration, the reference number 2X 37 means that two of the parts identified by reference number 37 are indicated.

# List of Abbreviations

<b>AR:</b> as required	<b>HLH:</b> hex lag head	<b>PTO:</b> power-take-off
<b>ASM:</b> assembly	<b>HOC:</b> height-of-cut	<b>RH:</b> right hand
<b>BBC:</b> blade brake clutch	<b>HSBH:</b> hex socket button head	<b>ROPS:</b> roll-over protection system
<b>CARR:</b> carriage	<b>HSFH:</b> hex socket flat head	<b>SFH:</b> slotted fillister head
<b>CCW:</b> counter clock wise	<b>HSH:</b> hex socket head	<b>SHH:</b> slotted hex head
<b>CW:</b> clockwise	<b>HWH:</b> hex washer head	<b>SHWH:</b> slotted hex washer head
<b>DEG:</b> degrees	<b>HWHTF:</b> hex washer head thread forming	<b>SPH:</b> slotted pan head
<b>ECM:</b> electronic control module	<b>HYD:</b> hydraulic	<b>SQH:</b> square head
<b>EXT:</b> external	<b>LH:</b> left hand	<b>SRH:</b> slotted round head
<b>FH:</b> flat head	<b>NI:</b> nylon insert	<b>STD:</b> standard
<b>GA:</b> gauge	<b>NPTF:</b> national pipe thread fine	<b>TAP:</b> self tapping
<b>HD:</b> heavy-duty	<b>PFH:</b> phillips flat head	<b>TTH:</b> torx truss head
<b>HF:</b> hex flange	<b>PPH:</b> phillips pan head	
<b>HH:</b> hex head	<b>PPHTF:</b> phillips pan head thread forming	
<b>HHF:</b> hex head flange	<b>PRH:</b> phillips round head	
<b>HHFTF:</b> hex head flange thread forming	<b>PTH:</b> phillips truss head	
<b>HJ:</b> hex jam		

# Contents

Engine and Clutch Assembly .....	4
Power-Take-Off Idler and Weight Assembly .....	5
Fuel System Assembly .....	6
Lower Control Assembly .....	7
Transmission Drive Assembly .....	8
Wheel Drive and Brake Assembly .....	9
Upper Handle Assembly .....	10
Control Panel Assembly .....	11
Carrier Frame Assembly .....	12
Deck Drive and Baffle Assembly .....	13
Deck Assembly No. 112-7082 .....	14
Spindle Assembly No. 110-0728 .....	15
Spindle Assembly No. 110-0729 .....	16
Lever Assembly No. 107-1664 .....	17
Deck Assembly .....	18
Deflector Assembly No. 110-0758 .....	19
Cylinder and Crankcase Assembly Kawasaki FH541V-GS30 .....	20
Piston and Crankshaft Assembly Kawasaki FH541V-GS30 .....	21
Valve and Camshaft Assembly Kawasaki FH541V-GS30 .....	22
Lubrication Equipment Assembly Kawasaki FH541V-GS30 .....	23
Cooling Equipment Assembly Kawasaki FH541V-GS30 .....	24
Electric Equipment Assembly Kawasaki FH541V-GS30 .....	25
Control Equipment Assembly Kawasaki FH541V-GS30 .....	26
Carburetor Assembly Kawasaki FH541V-GS30 .....	27
Air Filter and Muffler Assembly Kawasaki FH541V-GS30 .....	28
Fuel Tank and Valve Assembly Kawasaki FH541V-GS30 .....	29
Starter Assembly Kawasaki FH541V-GS30 .....	30
Label Assembly Kawasaki FH541V-GS30 .....	31
Attachments and Accessories .....	32

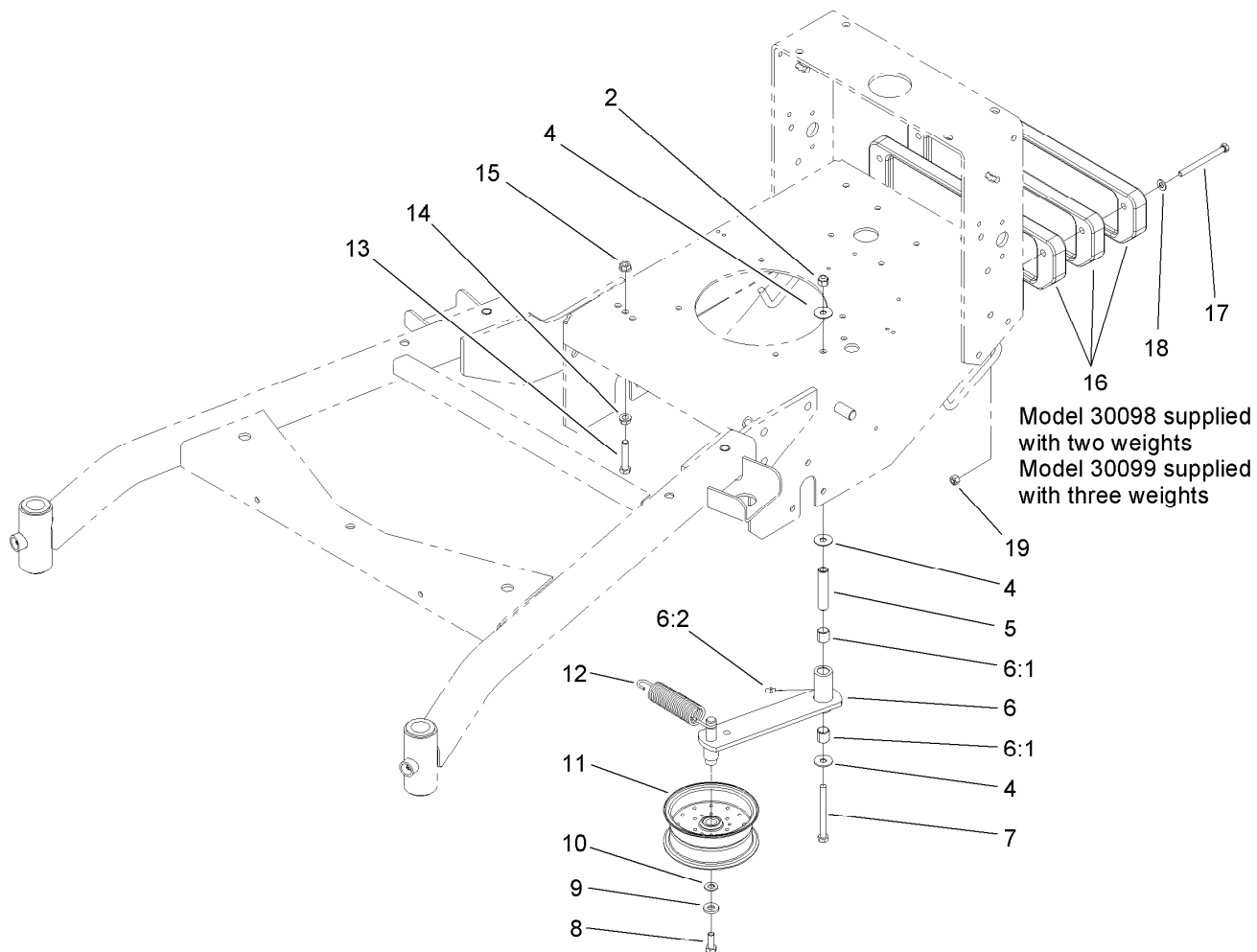


## Engine and Clutch Assembly

Ref.	Part Number	Qty.	Description
1	56-6360	1	Filter-Fuel
2		1	Engine-Kawasaki, FH541V-Gs30 ●
3	2412-87	1	Clamp-Cable
4	106-0699	1	Decal-Warning
5	2412-72	1	Clip-Closed, Insulated
6	103-1966	1	Adapter
7	92-6877	1	Valve-Drain, Oil
8	104-8137	1	Harness-Wire
10	32128-20	6	Nut-HF
11	3255-8	1	Washer-Lock
12	112-7069	1	Grommet
13	104-6373	1	Tube-Retainer
14	1-613235	4	Washer
15	1-633630	2	Grommet-Brake
16	1-633545	2	Spacer
17	1-633543-03	1	Strap-Clutch, Brake
18	322-11	1	Screw-HH
19	3256-23	5	Washer-Flat

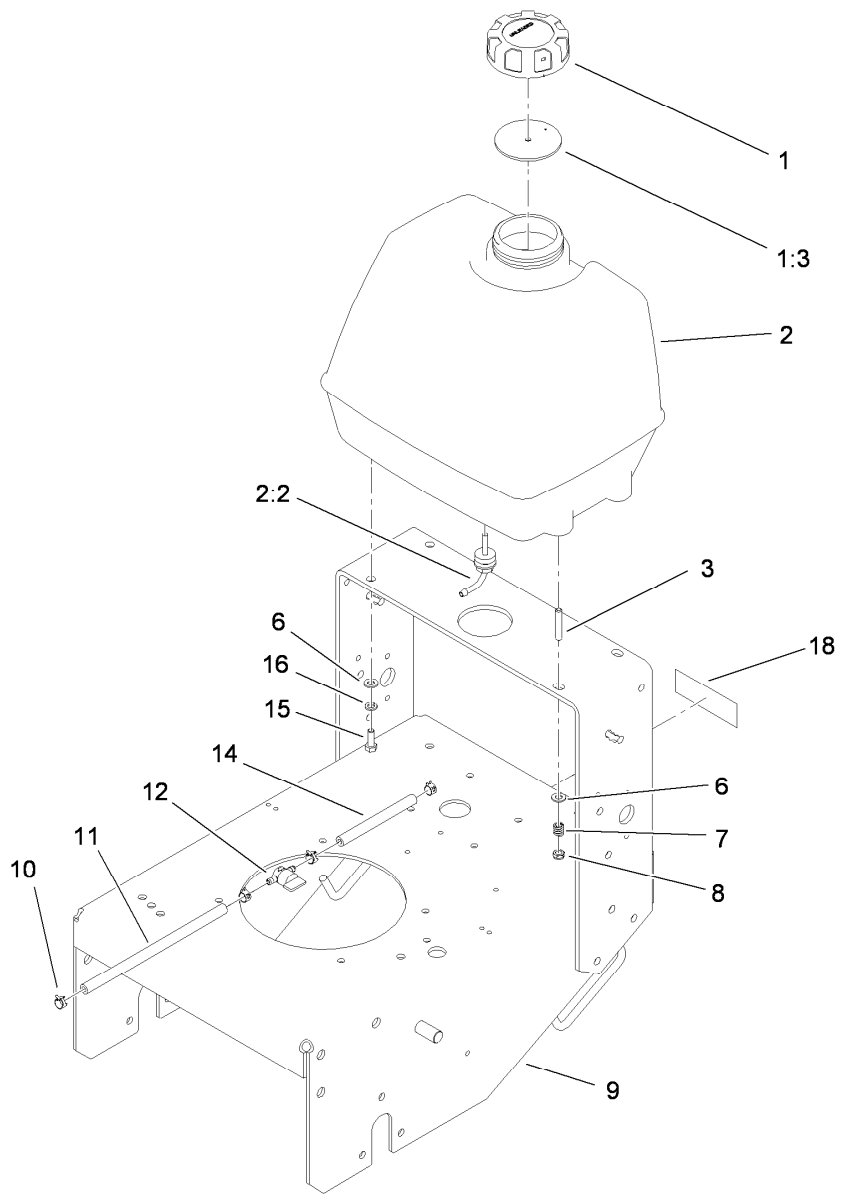
Ref.	Part Number	Qty.	Description
20	322-7	4	Screw-HH
21	2412-134	1	Clamp-R
22	3212-9	1	Screw-HH
23	107-4136	1	Washer
24	105-2635	1	Clutch / Brake ASM
25	107-4112	1	Pulley-Drive
26	608006	1	Key-Square
27	94-5847-01	1	Cover-Pulley
30	115-4150-03	1	Muffler Shield ASM
32	115-4154-03	1	Bracket-Muffler
33	322-3	4	Screw-HH
34	94-2413	4	U-Nut
35	12-3270	2	Screw
36	1-603610	2	Washer-Spring
38	322-9	1	Screw-HH
39	3290-378	1	Tie-Cable
40	114241	1	Fuse-7.5 Amp
99	103-1964	1	Hose-Drain, Oil

● Not serviced separately



## Power-Take-Off Idler and Weight Assembly

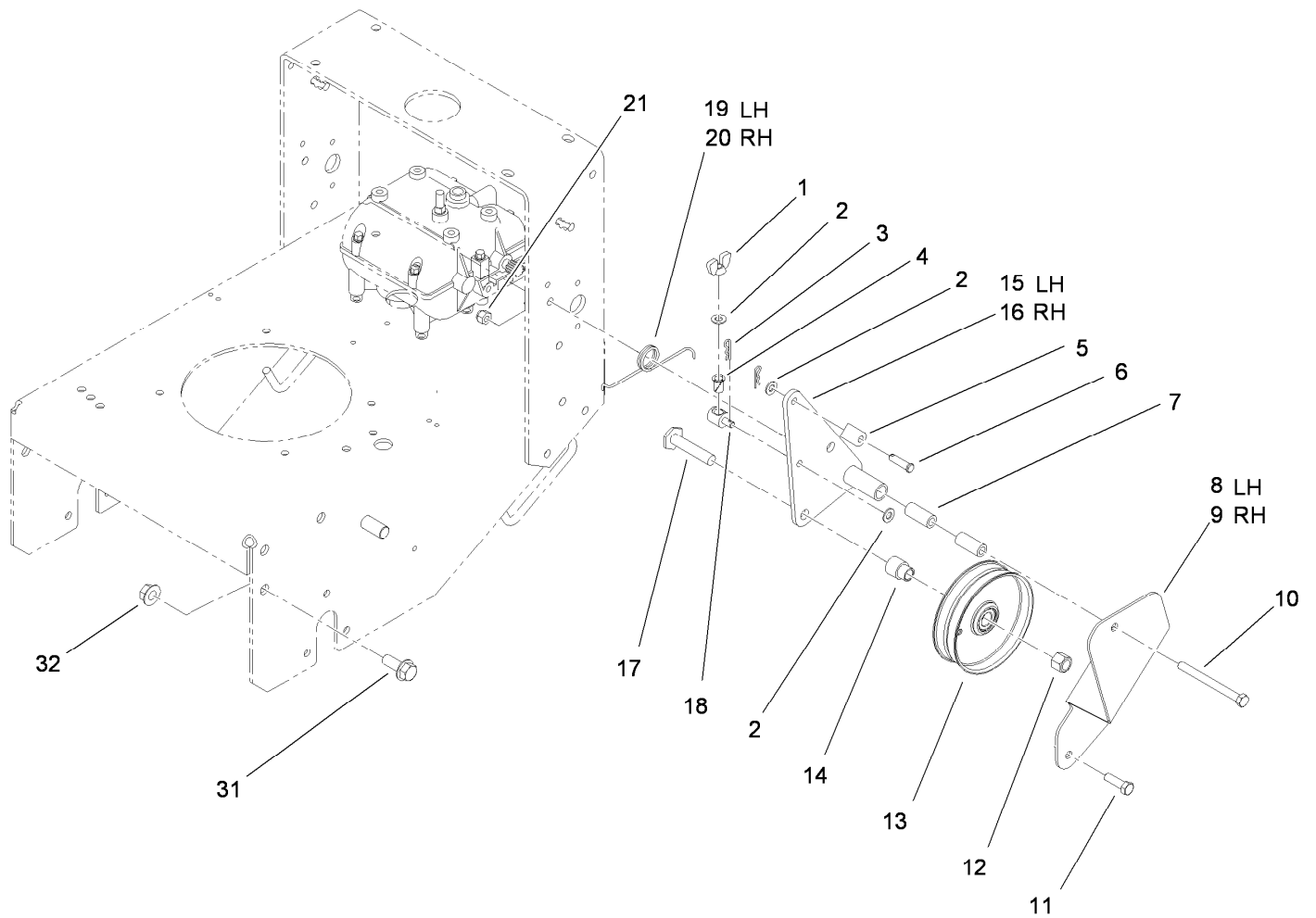
Ref.	Part Number	Qty.	Description
2	3296-39	1	Nut-Lock, NI
4	52-2860	3	Washer
5	104-6377	1	Tube-Idler
6	108-2734	1	Idler Arm ASM
6:1	1-513034	2	Sleeve-Bearing
6:2	302-5	1	Fitting-Grease
7	323-42	1	Screw-HH
8	323-6	1	Screw-HH
9	98-5975	1	Washer-Belleville
10	3256-24	1	Washer-Flat
11	1-413099	1	Pulley-Idler
12	105-8443	1	Spring-Extension
13	323-10	1	Screw-HH
14	3290-357	1	Nut-HHF, Whiz
15	32128-21	1	Nut-HF
16	112-7059-01	3	Weight-Cast
17	322-19	2	Screw-HH
18	3256-23	2	Washer-Flat
19	3296-29	2	Nut-Lock, NI



## Fuel System Assembly

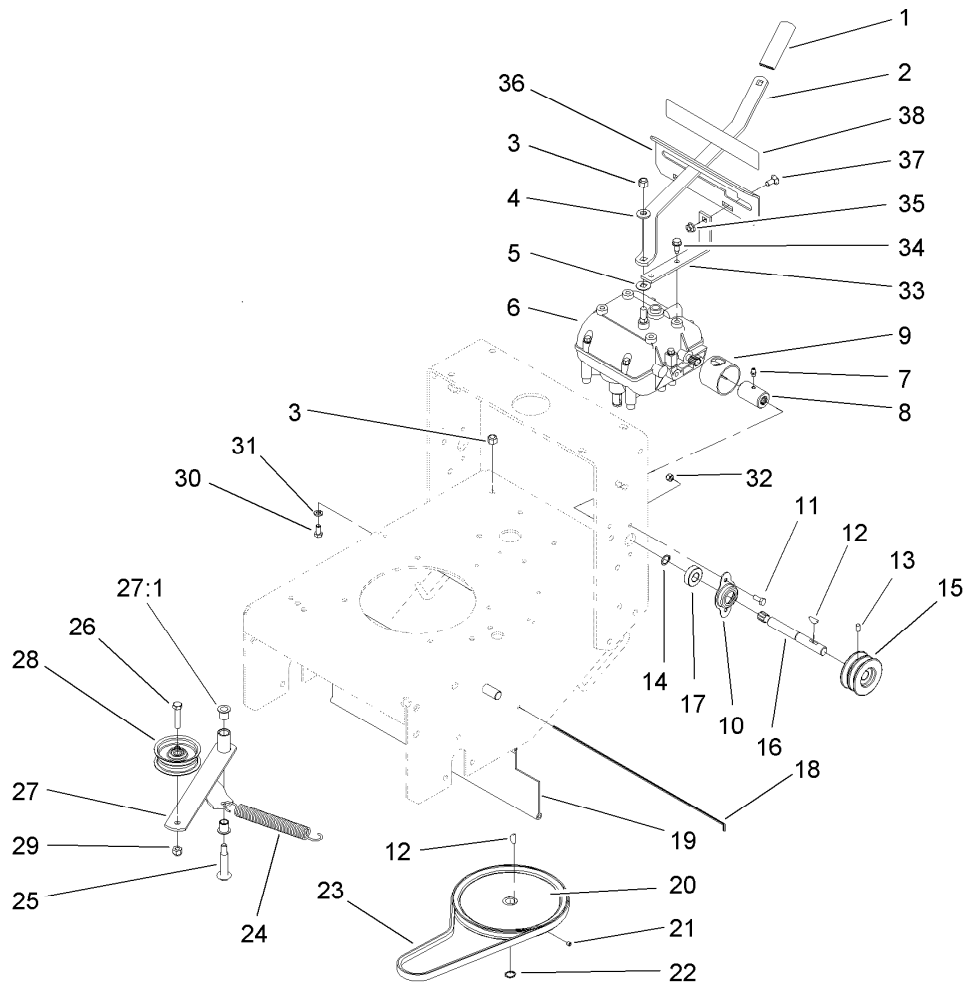
Ref.	Part Number	Qty.	Description
1	88-3980	1	Gas Cap ASM
1:3	88-4010	1	Gasket-Cap, Gas
2	106-0730	1	Fuel Tank ASM
2:2	103-2605	1	Fitting-Fuel, Bulkhead
3	104-8121	2	Stud-Threaded
6	3256-23	4	Washer-Flat
7	1-633349	2	Spring-Tank, Fuel
8	3296-47	2	Nut-Lock, NI

Ref.	Part Number	Qty.	Description
9	108-2675-01	1	Gear Frame ASM
10	2412-98	4	Clamp
11	110-4894	1	Hose-Fuel
12	1-603770	1	Valve-Fuel
14	107-0588	1	Hose-Fuel
15	322-4	2	Screw-HH
16	3253-4	2	Washer-Lock
18	98-0776	1	Decal-Caution



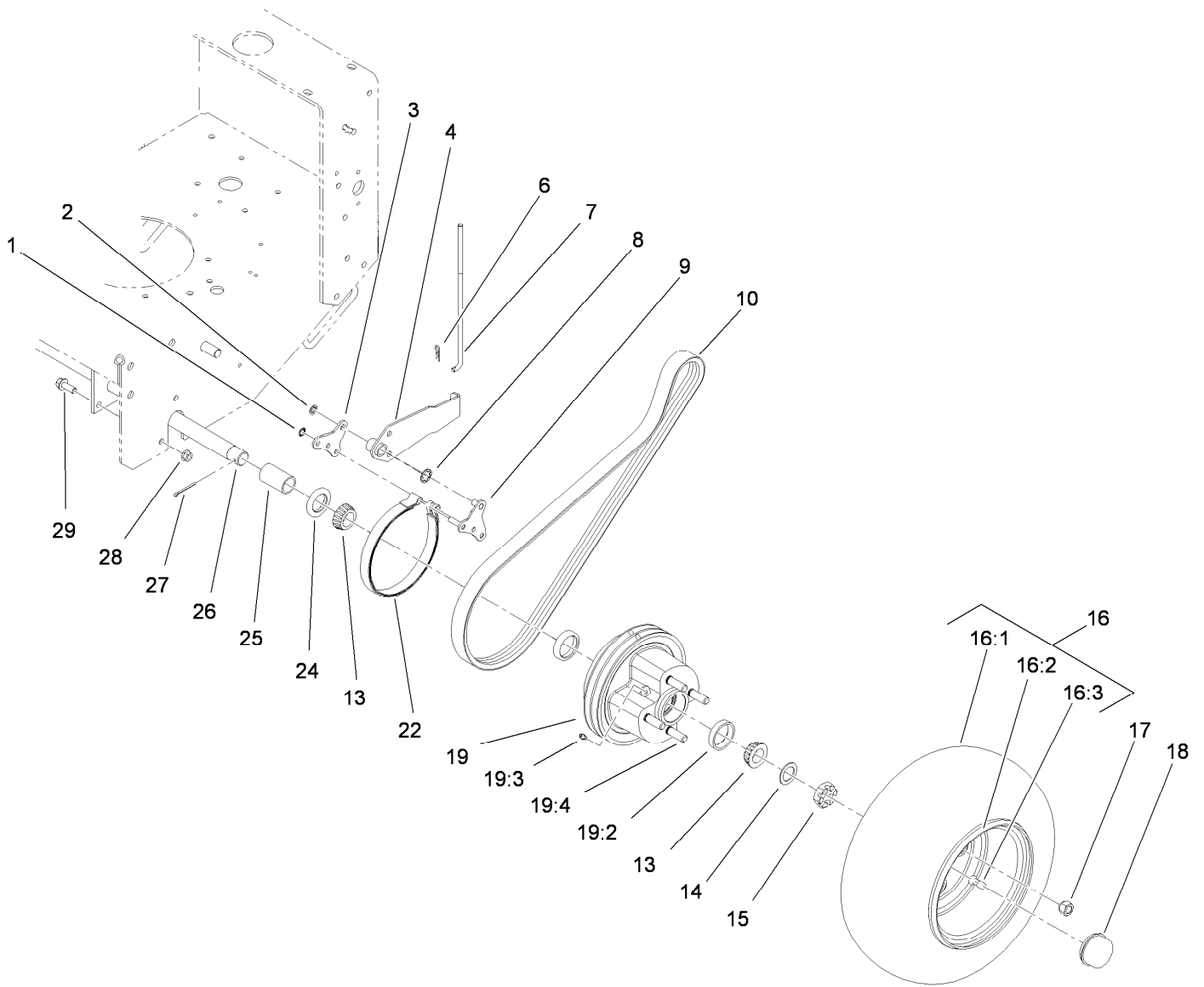
## Lower Control Assembly

<i>Ref.</i>	<i>Part Number</i>	<i>Qty.</i>	<i>Description</i>	<i>Ref.</i>	<i>Part Number</i>	<i>Qty.</i>	<i>Description</i>
1	32103-25	2	Nut-Wing	13	95-2800	2	Pulley-Idler
2	3256-23	6	Washer-Flat	14	95-2801	2	Spacer-Pulley
3	3290-307	4	Pin-Hair	15	108-2740-01	1	LH Idler Arm ASM
4	52-2890	2	Bushing-Nylon	16	108-2741-01	1	RH Idler Arm ASM
5	74-0521	2	Fitting-Rod	17	51-4450	2	Screw-Leveler
6	283-6	2	Pin-Clevis	18	68-9690	2	Fitting-Rod
7	74-0040	4	Spacer-Pivot, Idler	19	51-4380	1	Spring-Torsion, LH
8	108-2725-01	1	Support-Idler, LH	20	51-4370	1	Spring-Torsion, RH
9	108-2724-01	1	Support-Idler, RH	21	3296-39	6	Nut-Lock, NI
10	323-16	2	Screw-HH	31	3234-32	6	Screw-HHF
11	323-7	4	Screw-HH	32	32128-23	6	Nut-HF
12	3296-23	2	Nut-Lock, NI				



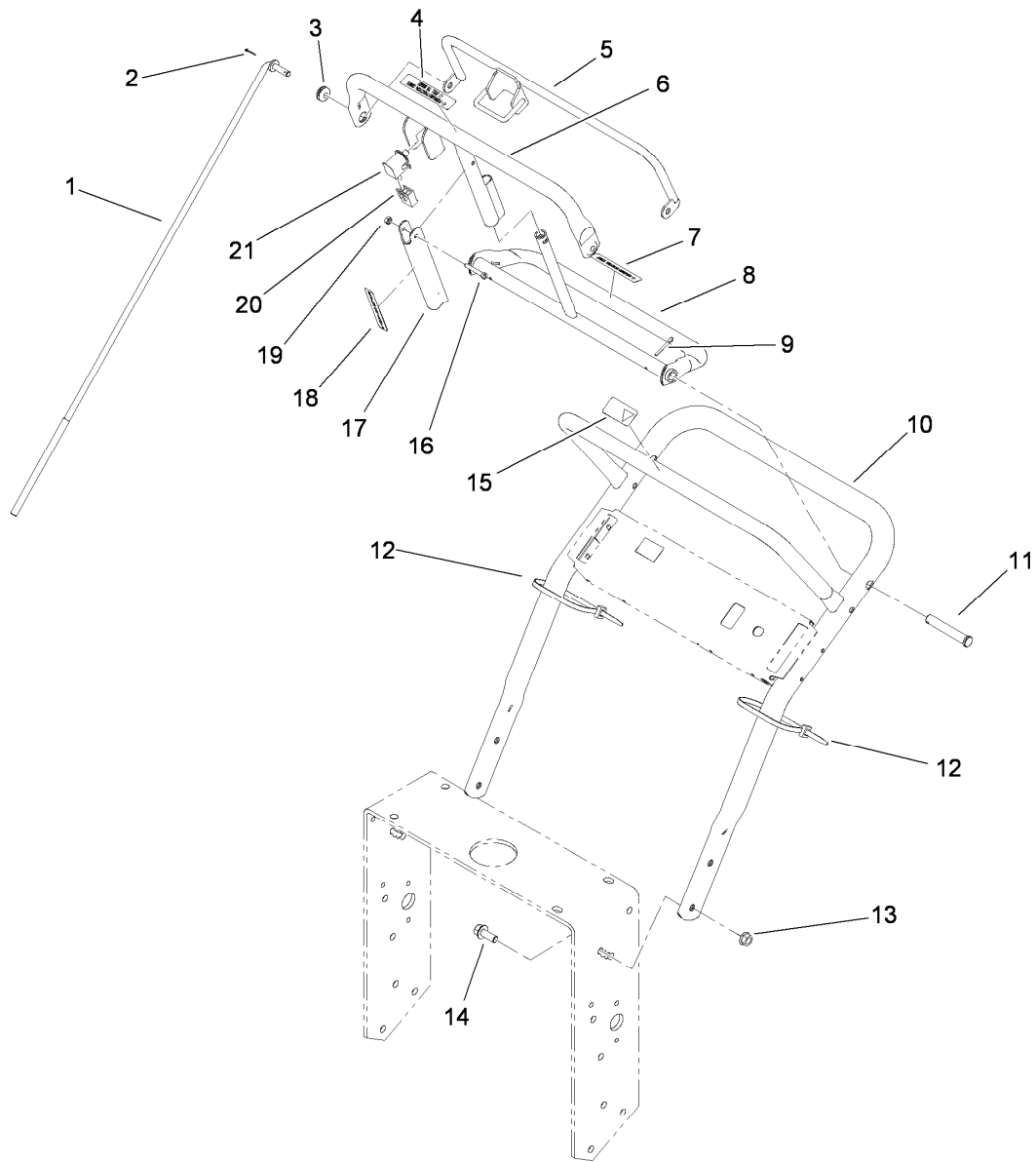
## Transmission Drive Assembly

<i>Ref.</i>	<i>Part Number</i>	<i>Qty.</i>	<i>Description</i>	<i>Ref.</i>	<i>Part Number</i>	<i>Qty.</i>	<i>Description</i>
1	47-1970	1	Grip	21	3245-1	1	Screw-Set, HSH
2	98-3274-03	1	Lever-Shift	22	32120-64	1	Ring-Snap, External
3	3296-6	2	Nut-Lock	23	105-5668	1	V-Belt
4	98-5975	1	Washer-Belleville	24	80-6610	1	Spring-Extension
5	1-323379	1	Washer	25	27-6230	1	Bolt-Wheel
6	1-323500	1	Transmission	26	323-9	1	Screw-HH
7	302-5	2	Fitting-Grease	27	16-7509	1	Lever-Idler
8	1-323680	2	Coupler	27:1	256-155	2	Bushing-Flange
9	51-4220	2	Guard-Coupler	28	62-4540	1	Pulley
10	1-323254	2	Flange-Output	29	3296-39	1	Nut-Lock, NI
11	321-4	4	Screw-HH	30	322-2	4	Screw-HH
12	3257-5	3	Key-Woodruff	31	3253-4	4	Washer-Lock
13	3245-9	2	Screw-Set	32	3296-42	4	Nut-Lock, NI
14	32151-62	2	Ring-Retaining	33	1-323389-03	2	Bracket-Plate, Shift
15	105-2698	2	Pulley-Transmission	34	9264964	4	Screw-HWH, Thread Cut
16	104-1102	2	Shaft-Output	35	32128-20	2	Nut-HF
17	1-323252	2	Bearing-Shaft	36	1-323387-03	1	Plate-Shift
18	95-1529	1	Rod-Shield	37	3230-1	2	Bolt-CARR
19	95-1526	1	Shield-Trailing	38	98-3256	1	Decal-Speed, Ground
20	105-5646	1	Pulley-Driven				



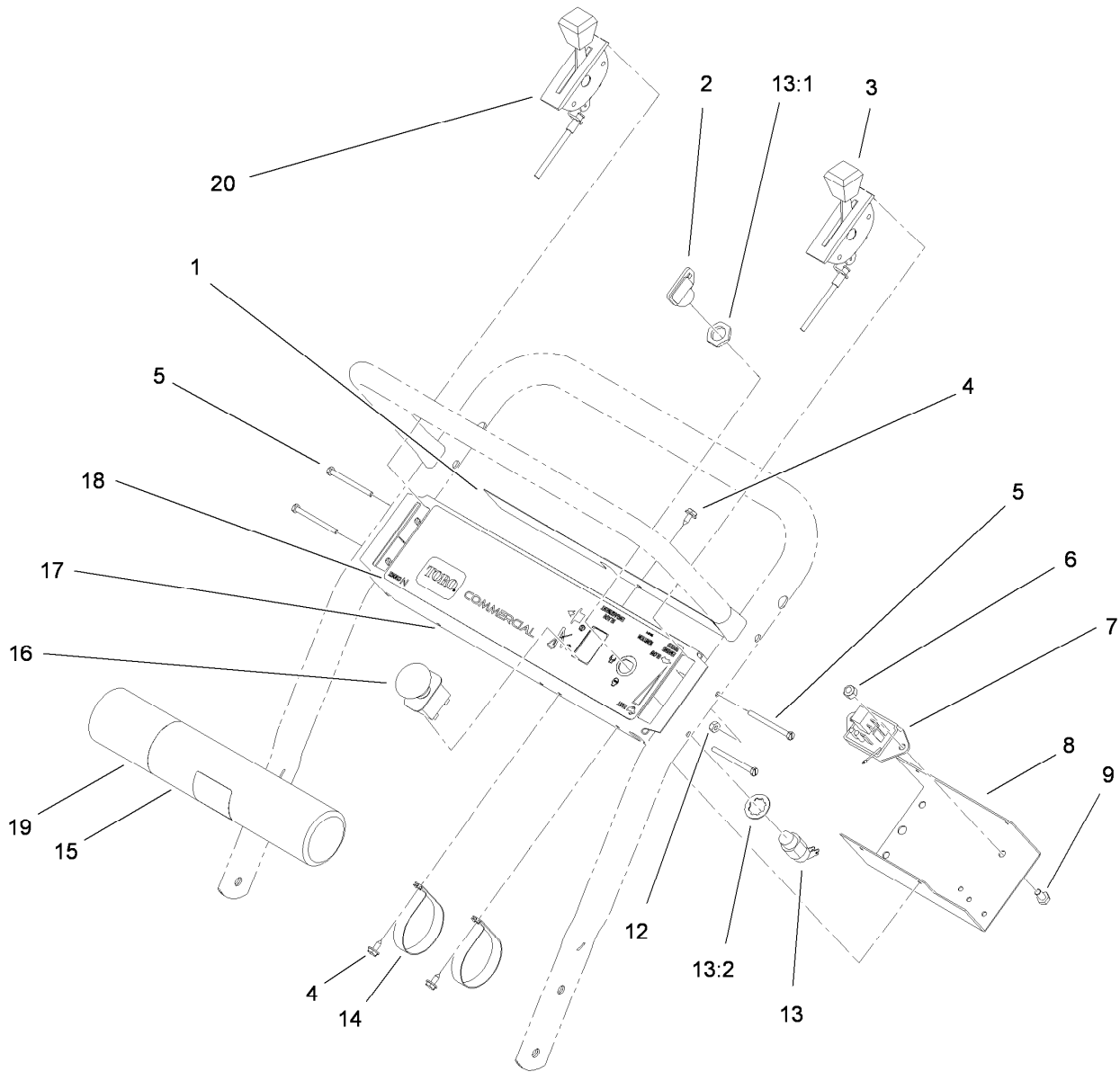
## Wheel Drive and Brake Assembly

<i>Ref.</i>	<i>Part Number</i>	<i>Qty.</i>	<i>Description</i>	<i>Ref.</i>	<i>Part Number</i>	<i>Qty.</i>	<i>Description</i>
1	32151-72	4	Ring-Retaining	16:3	232-27	1	Stem-Valve
2	32151-56	2	Ring-Retaining, External	17	242-50	8	Nut-Lug
3	106-8792	2	Plate-Link, Brake	18	241-119	2	Cap-Dust
4	110-5010-01	2	Brake Arm ASM	19	107-4090	2	Wheel Hub ASM
6	3290-307	2	Pin-Hair	19:2	1-543508	2	Cup-Bearing
7	108-2730	2	Rod-Brake	19:3	302-5	1	Fitting-Grease
8	32151-40	2	Ring-Retaining	19:4	10-6830	4	Stud-Type, Drive
9	106-8773	2	Brake Link ASM	22	1-323262	2	Band-Brake
10	108-2723	2	Belt-V, Banded	24	1-543511	2	Seal-Grease
13	1-543509	4	Bearing-Roller, Tapered	25	110-5006	2	Spacer-Wheel
14	1-523157	2	Washer-Spacer	26	110-4983-01	1	Axle ASM
15	1-809082	2	Nut-SHH	27	1-806800	2	Pin-Cotter
16	106-0892	2	Wheel And Tire ASM	28	32128-21	6	Nut-HF
16:1	104-6322	1	Tire	29	3234-11	6	Screw-HHF
16:2	106-0893	1	Wheel				



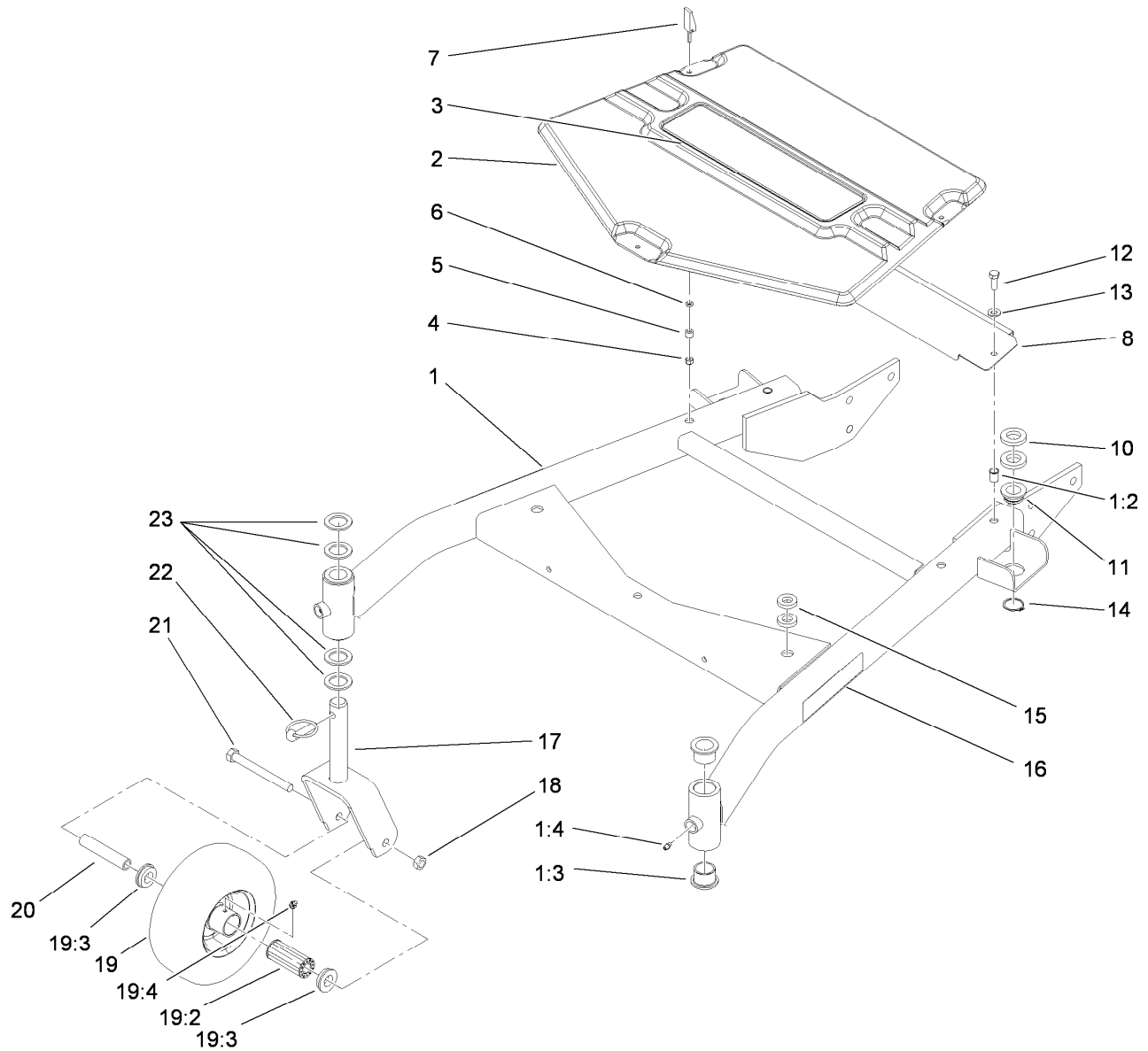
## Upper Handle Assembly

<i>Ref.</i>	<i>Part Number</i>	<i>Qty.</i>	<i>Description</i>	<i>Ref.</i>	<i>Part Number</i>	<i>Qty.</i>	<i>Description</i>
1	105-4677	2	Rod-Control	12	3290-378	2	Tie-Cable
2	3272-4	2	Pin-Cotter	13	32128-21	4	Nut-HF
3	237-141	2	Grommet-Rubber	14	3234-11	4	Screw-HHF
4	82-2290	1	Decal	15	98-4387	1	Decal-Protection, Ear
5	82-7680-03	1	Bail ASM	16	32105-1	1	Screw-SHH
6	82-7690-03	1	Bar-Control	17	51-4850-03	1	Lever-Brake, Parking
7	82-2280	1	Decal	18	52-2010	1	Decal-Lever, Parking
8	106-5477-03	1	Control Pivot ASM	19	3296-2	1	Nut-Lock, NI
9	3272-11	2	Pin-Cotter	20	218-595	1	Connector-Body
10	105-3158-03	1	Upper Handle ASM	21	82-2190	1	Switch-Bail
11	283-55	2	Pin-Clevis				



## Control Panel Assembly

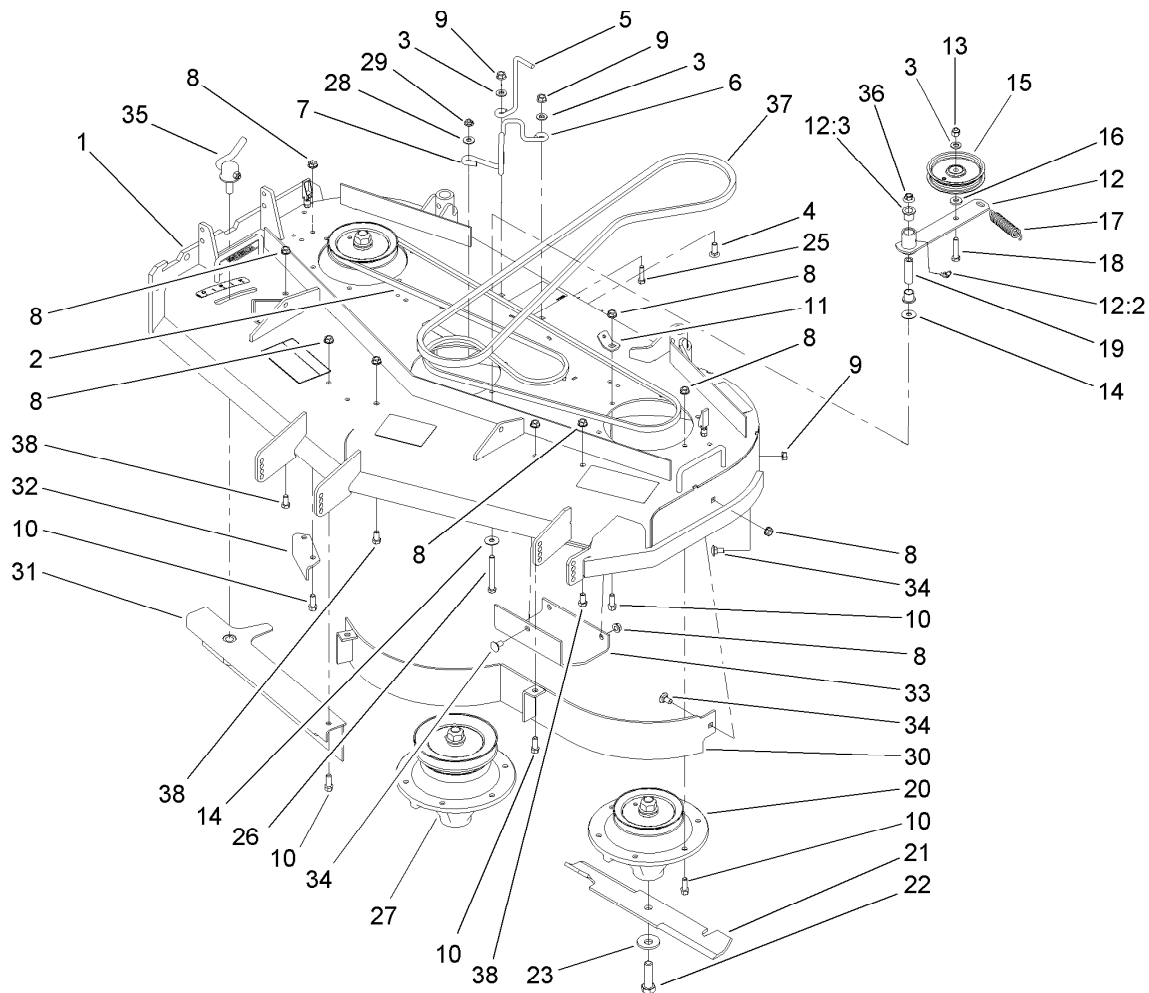
<i>Ref.</i>	<i>Part Number</i>	<i>Qty.</i>	<i>Description</i>	<i>Ref.</i>	<i>Part Number</i>	<i>Qty.</i>	<i>Description</i>
1	105-0884	1	Decal-Danger	13	29-5560	1	Switch-On / Off
2	63-8360	1	Key-Ignition	13:1	218-461	1	Nut-HH
3	110-4994	1	Cable-Throttle	13:2	3254-5	1	Washer-Tooth
4	32104-76	4	Screw	14	2412-120	2	R-Clamp
5	32105-14	4	Screw-SHH	15	104-7050	1	Tube-Manual
6	3296-42	1	Nut-Lock, NI	16	104-8140	1	Switch-PTO
7	104-8141	1	Module-Delay	17	110-4982-03	1	Panel-Control
8	93-1187-03	1	Panel-Bottom	18	110-4971	1	Decal-Control Panel
9	321-2	1	Screw-HH	19	104-7048	1	Cap-Housing
12	3296-2	4	Nut-Lock, NI	20	110-4995	1	Cable-Choke



## Carrier Frame Assembly

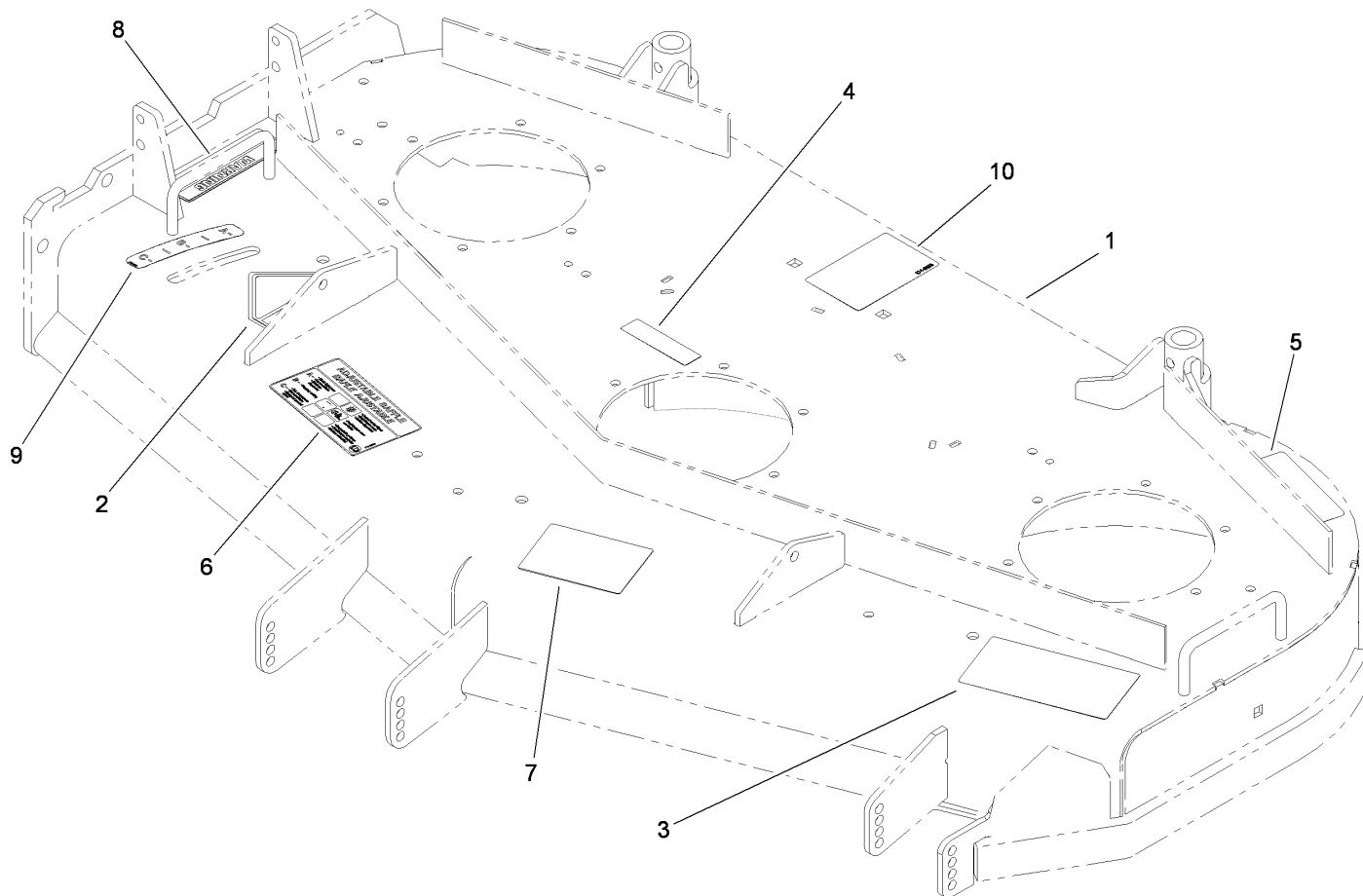
Ref.	Part Number	Qty.	Description
1	108-2665	1	Carrier Frame ASM
1:2	32148-9	2	Insert-Nut
1:3	94-1291	4	Bushing
1:4	302-5	2	Fitting-Grease
2	108-6625	1	Cover-Frame, Carrier
3	112-9712	1	Decal
4	1-804254	3	Nut
5	106-6778	3	Bushing-Latch, Swell
6	99-3058	3	Washer
7	106-6777	3	Handle-Latch, Swell
8	112-7051-01	1	Shield-Belt
10	104-1105	4	Spacer-Support, Deck
11	1-513336	2	Bushing-Deck
12	323-6	2	Screw-HH

Ref.	Part Number	Qty.	Description
13	3256-24	2	Washer-Flat
14	32120-33	2	Ring-Retaining
15	1-323539	4	Spacer
16	106-0635	2	Decal-HOC
17	105-3159-01	2	Castor Fork ASM
18	32153-5	2	Nut-Lock, Side
19	110-5024	2	Wheel And Tire ASM
19:2	112-7066	1	Bearing-Roller
19:3	1-513810	2	Bushing
19:4	302-61	1	Zerk
20	100-6453	2	Bushing-Spanner
21	325-19	2	Screw-HH
22	283-71	2	Pin-Lynch
23	3-6781	8	Washer-Thrust



## Deck Drive and Baffle Assembly

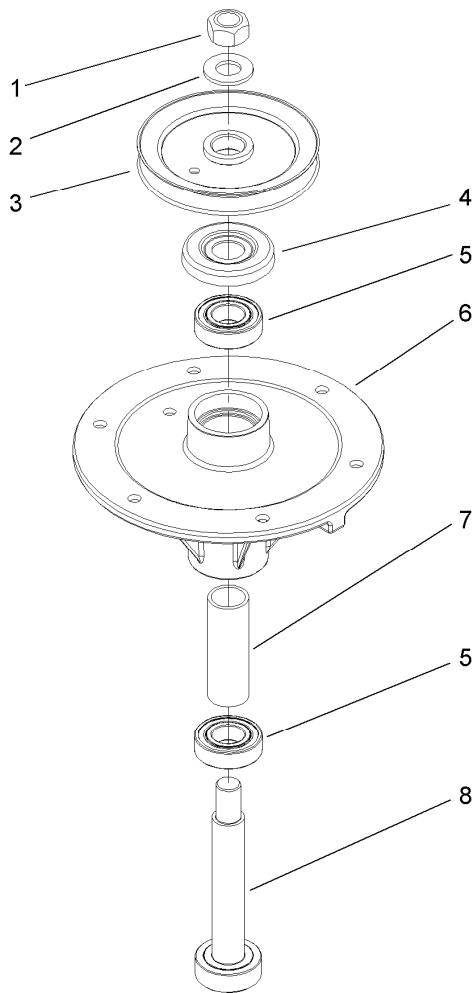
<i>Ref.</i>	<i>Part Number</i>	<i>Qty.</i>	<i>Description</i>	<i>Ref.</i>	<i>Part Number</i>	<i>Qty.</i>	<i>Description</i>
1	112-7082	1	Deck ASM	19	112-7091	1	Spacer
2	108-2716	1	Belt-V	20	110-0728	2	Spindle ASM
3	3256-24	3	Washer-Flat	21	107-3192-03	3	Blade-16.5 Inch (High Flow)
4	3231-22	2	Screw-CARR	22	51-4060	3	Screw-Blade
5	98-5980	1	Guide-Belt	23	103-0865	3	Washer-Blade Bolt, Heavy
6	110-6975	1	Guide-Belt	25	322-6	1	Screw-HH
7	105-0850	1	Guide-Belt	26	323-14	1	Screw-HH
8	3290-357	29	Nut-HHF, Whiz	27	110-0729	1	Spindle ASM
9	32128-21	5	Nut-HF	28	3256-3	1	Washer-Flat
10	92-1624	22	Screw-HWH	29	32128-13	1	Nut-HF
11	104-6374	1	Plate-Spring	30	110-0735-03	1	Baffle ASM
12	108-2728	1	Idler Arm ASM	31	108-6698-03	1	Adjustable Baffle ASM
12:2	302-11	1	Fitting-Lube, 45 DEG	32	110-0744-01	1	Baffle-Discharge
12:3	256-90	2	Bushing-Flange	33	107-3166-01	1	Skid
13	3296-39	1	Nut-Lock, NI	34	3231-1	7	Screw-CARR
14	52-2860	2	Washer	35	107-1664	1	Lever ASM
15	93-1622	1	Pulley-Idler	36	32128-19	1	Nut-HF
16	9202414	1	Washer-Spacer	37	108-2715	1	Belt-V
17	51-3650	1	Spring-Extension	38	323-4	3	Screw-HH
18	323-9	1	Screw-HH				



## Deck Assembly No. 112-7082

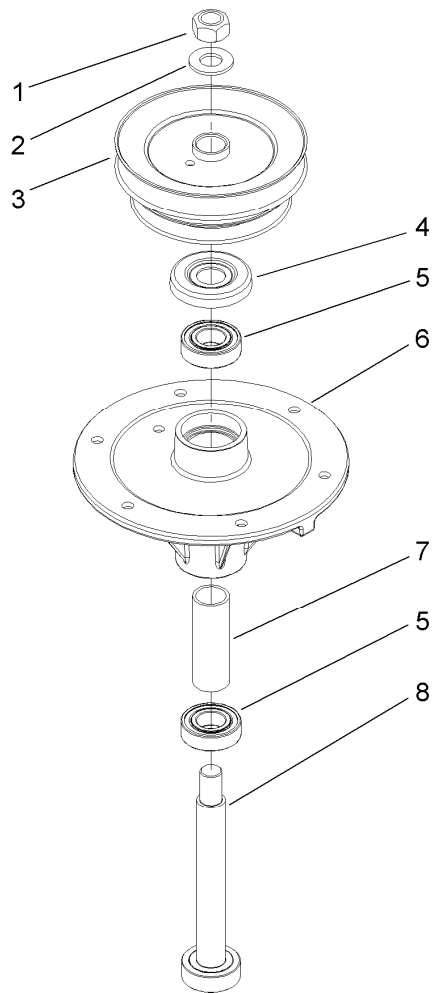
<i>Ref.</i>	<i>Part Number</i>	<i>Qty.</i>	<i>Description</i>
1		1	48 Inch Deck ASM ●
2	43-8480	1	Decal-Danger
3	66-1340	1	Decal-Danger, Thrown Object
4	98-5954	3	Decal-Cover, Missing
5	68-8340	1	Decal-Torque
6	110-2068	1	Decal-Adjustment, Baffle
7	105-7798	1	Decal-Scalp, Anti
8	104-8569	1	Decal-Warning
9	110-2067	1	Decal-Setting, Baffle
10	104-8186	1	Decal-Routing, Belt

● Not serviced separately



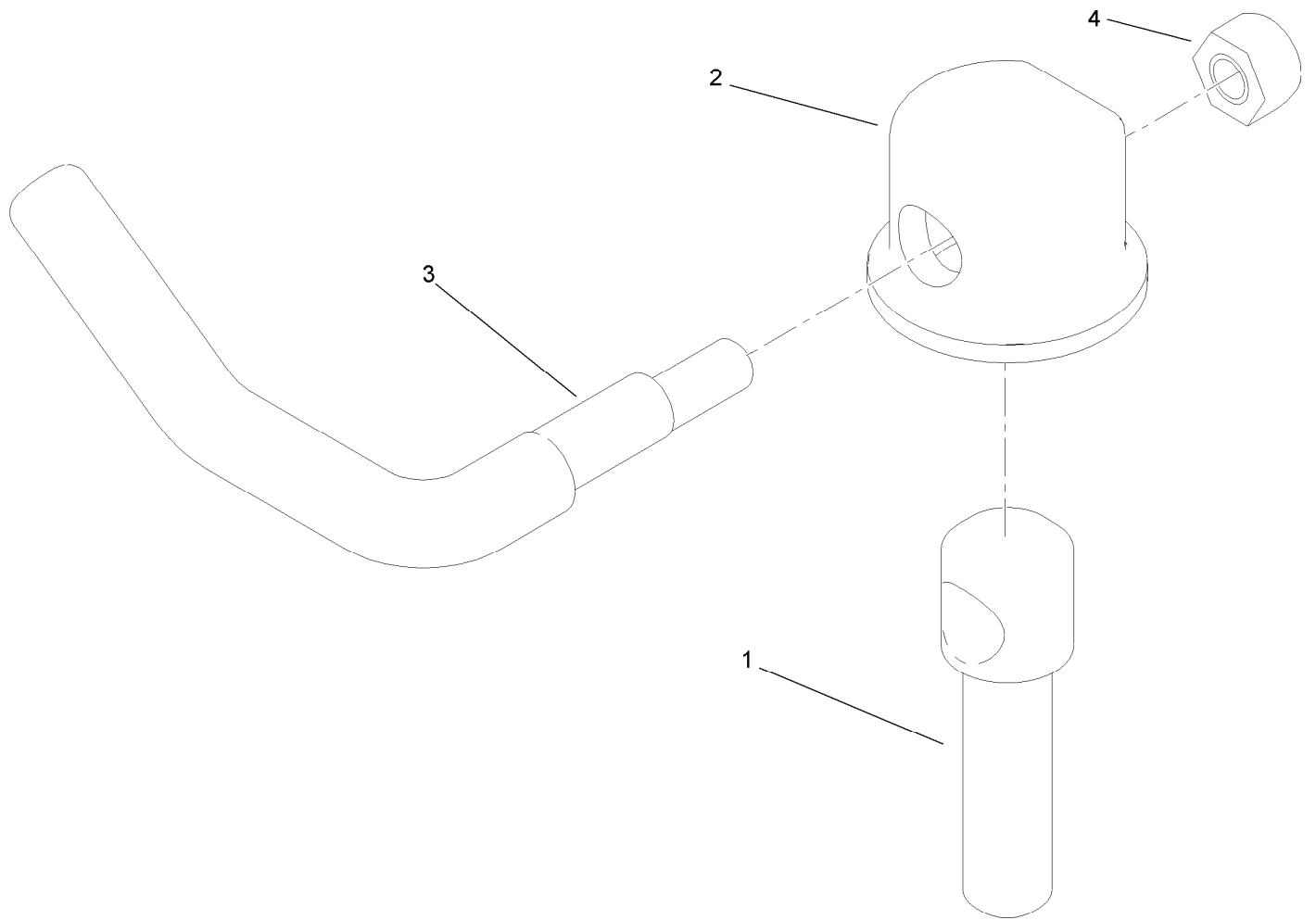
## Spindle Assembly No. 110-0728

<i>Ref.</i>	<i>Part Number</i>	<i>Qty.</i>	<i>Description</i>
1	3219-7	1	Nut-Hex
2	7-4150	1	Washer
3	104-1181	1	Pulley ASM
4	106-0873	1	Shield-Bearing
5	104-6325	2	Bearing-Ball
6	108-6696	1	Housing-Spindle
7	110-0727	1	Spacer-Bearing
8	110-0726	1	Shaft-Spindle



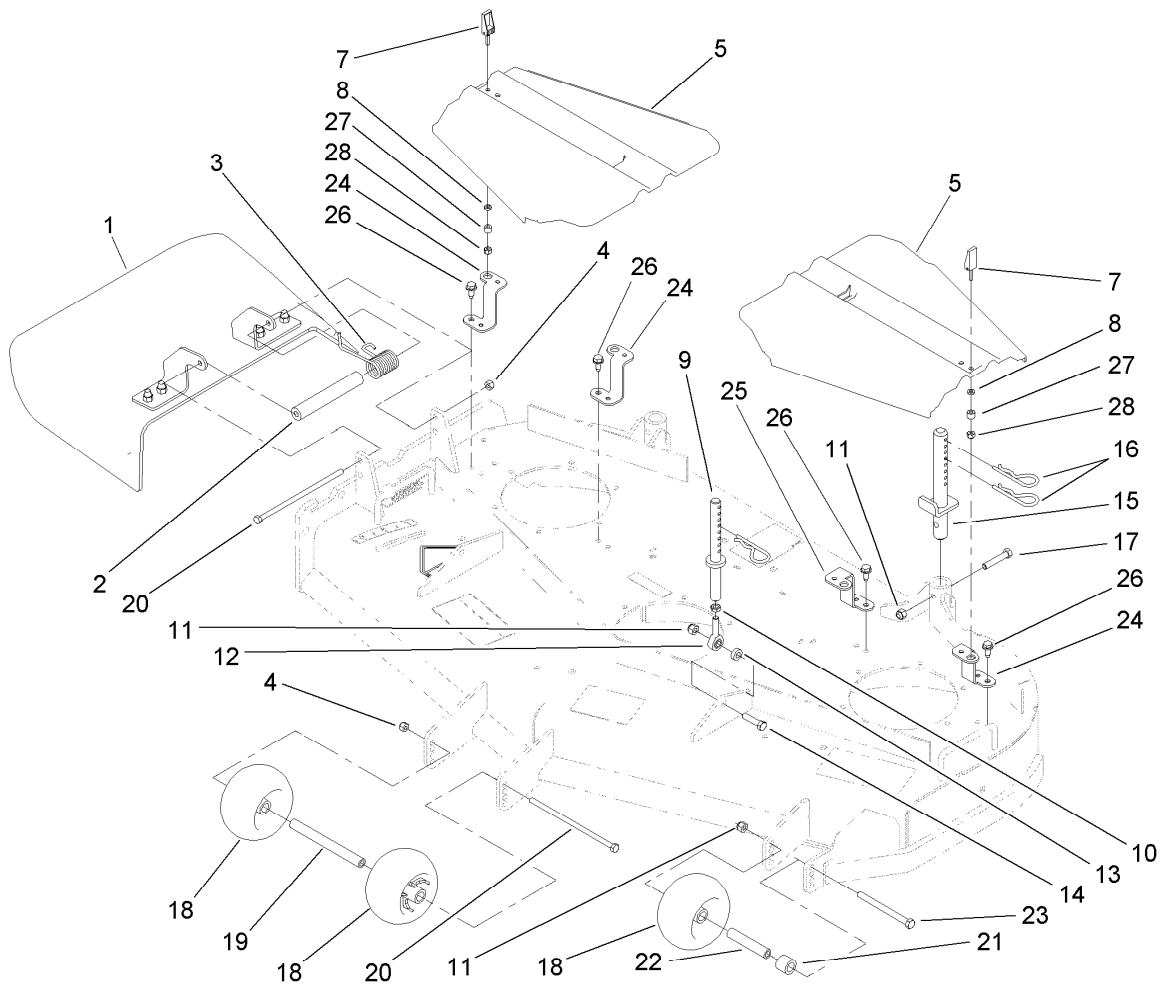
## Spindle Assembly No. 110-0729

<i>Ref.</i>	<i>Part Number</i>	<i>Qty.</i>	<i>Description</i>
1	3219-7	1	Nut-Hex
2	7-4150	1	Washer
3	108-2713	1	Pulley And Hub ASM
4	106-0873	1	Shield-Bearing
5	104-6325	2	Bearing-Ball
6	108-6696	1	Housing-Spindle
7	110-0727	1	Spacer-Bearing
8	110-0725	1	Shaft-Spindle



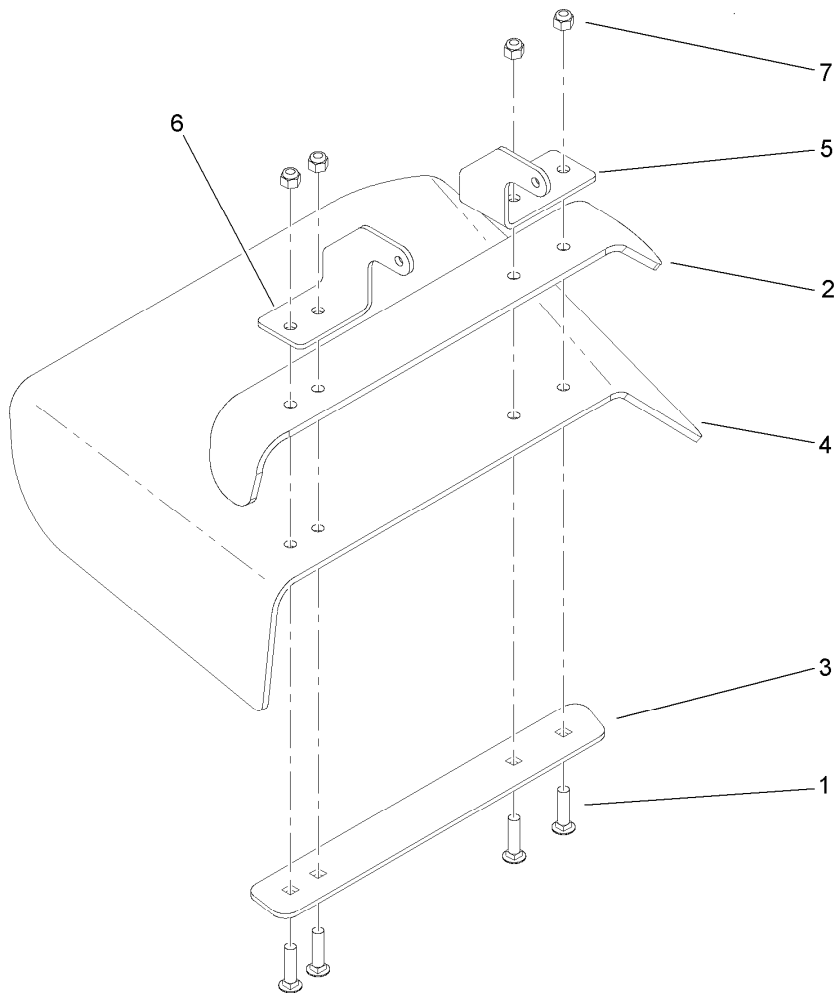
## Lever Assembly No. 107-1664

<i>Ref.</i>	<i>Part Number</i>	<i>Qty.</i>	<i>Description</i>
1	106-3239	1	Screw-Lock
2	107-1644	1	Cap-Lock
3	106-3241	1	Lever-Lock
4	3296-29	1	Nut-Lock, NI



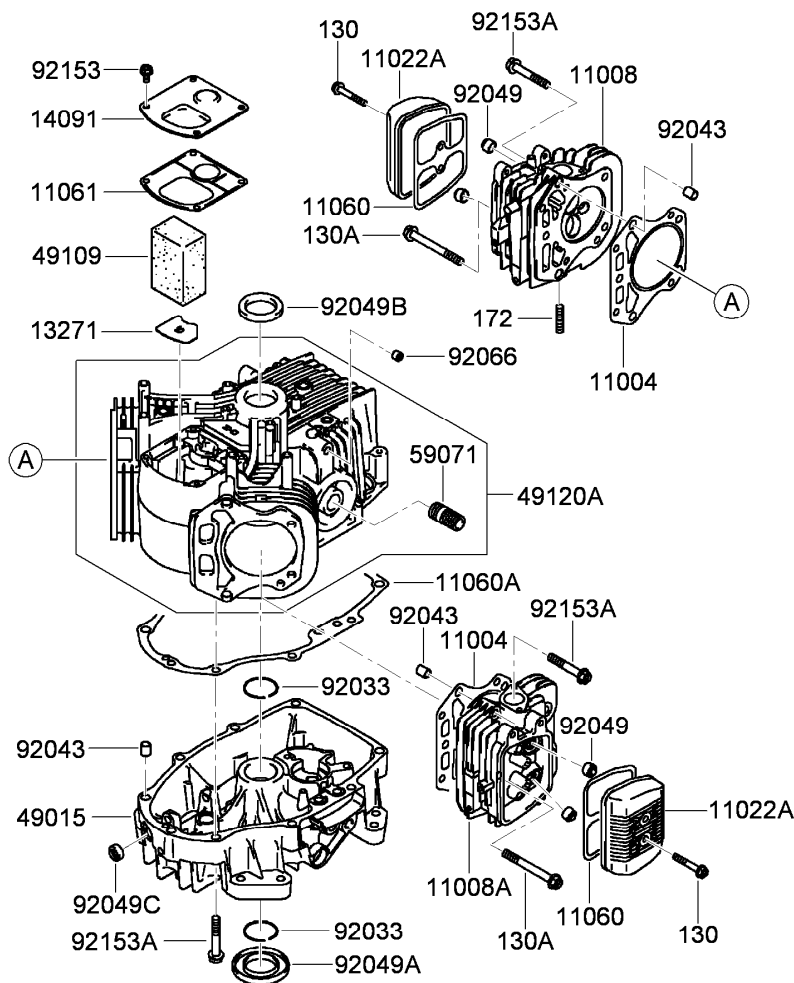
## Deck Assembly

<i>Ref.</i>	<i>Part Number</i>	<i>Qty.</i>	<i>Description</i>	<i>Ref.</i>	<i>Part Number</i>	<i>Qty.</i>	<i>Description</i>
1	110-0758	1	Deflector ASM	16	3290-256	6	Pin-Hair
2	105-4622	1	Spacer	17	323-10	2	Screw-HH
3	104-8554	1	Spring-Torsion	18	1-603299	3	Roller-Scalp, Anti
4	3296-29	2	Nut-Lock, NI	19	98-5967	1	Spacer-Wheel
5	107-8536	2	Cover-Belt	20	322-50	2	Screw-HH
7	106-6777	2	Handle-Latch, Swell	21	98-7913	1	Tube-Spacer
8	99-3058	2	Washer	22	98-7912	1	Tube-Spanner
9	108-2674	2	Front Pin ASM	23	323-23	1	Screw-HH
10	3220-3	2	Nut-HJ	24	108-2698-01	3	Bracket-Cover
11	3296-39	5	Nut-Lock, NI	25	108-2699-01	1	Bracket-Cover
12	1-613204	2	Balljoint	26	32144-70	4	Screw-HWHTF
13	104-1156	2	Spacer	27	106-6778	2	Bushing-Latch, Swell
14	323-8	2	Screw-HH	28	1-804254	2	Nut
15	110-2086	2	Rear Pin ASM				



## Deflector Assembly No. 110-0758

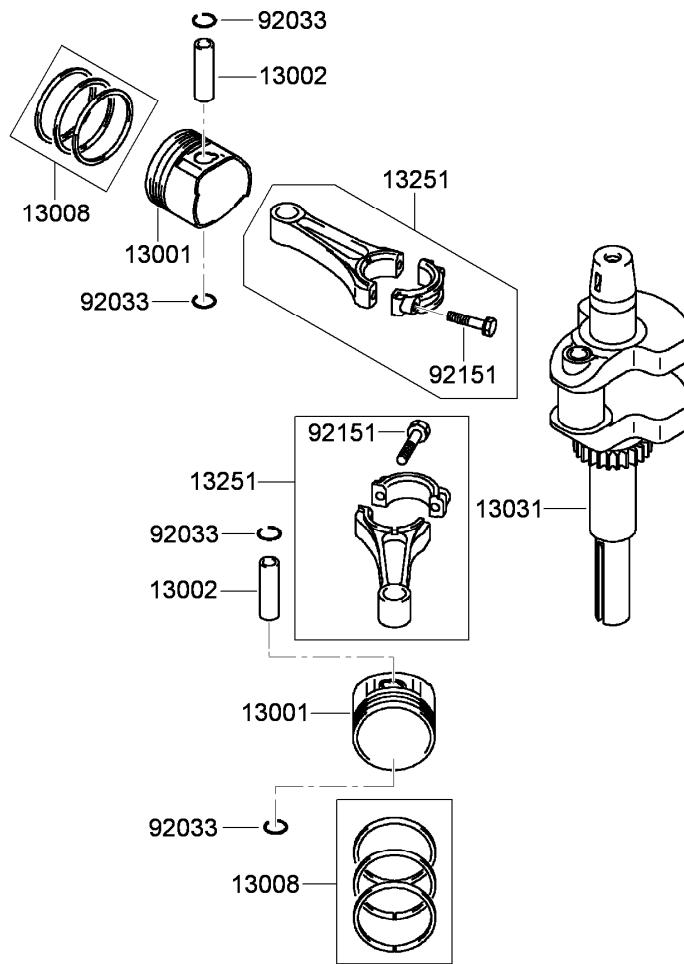
<i>Ref.</i>	<i>Part Number</i>	<i>Qty.</i>	<i>Description</i>
1	3231-4	4	Screw-CARR
2	106-3246-01	1	Deflector
3	106-3248-03	1	Strap-Discharge
4	110-0759	1	Deflector-Rubber
5	107-4197-01	1	Bracket-Hinge, Rear
6	107-4196-01	1	Bracket-Hinge, Front
7	3296-39	4	Nut-Lock, NI



## Cylinder and Crankcase Assembly Kawasaki FH541V-GS30

Ref.	Part Number	Qty.	Description	Ref.	Part Number	Qty.	Description
130	130AA0640	4	Bolt-Flanged (6X40) ●	59071	59071-2079	1	Joint ●
130A	130CA0875	2	Bolt-Flanged (8X75) ●	92033	92033-7003	2	Ring-Snap ●
172	172BA0818	4	Bolt-Stud (8X18) ●	92043	92043-7001	6	Pin ●
11004	11004-7016	2	Gasket-Head ●	92049	92049-7001	4	Seal-Oil, R V C2 (6X11X10.2) ●
11008	11008-6043	1	Head-Cylinder, No. 1 ●	92049A	92049-7015	1	Seal-Oil, S D (35X62X8 L HSH) ●
11008A	11008-7020	1	Head-Cylinder, No. 2 ●	92049B	92049-7016	1	Seal-Oil, S D (35X48X8 R HSH) ●
11022A	11022-7018	2	Case-Rocker ●	92049C	92049-7019	1	Seal-Oil, S O (8X14X5 HSH) ●
11060	11060-7001	2	Gasket-Case, Rocker ●	92066	92066-7026	1	Plug ●
11060A	11060-7008	1	Gasket-Cover, Crankcase ●	92153	92153-7043	4	Bolt (6X12) ●
11061	11061-7001	1	Gasket-Breather ●	92153A	92153-7054	17	Bolt (8X50) ●
13271	13271-7016	1	Plate ●				
14091	14091-7006	1	Cover ●				
49015	49015-6253	1	Cover-Crankcase ●				
49109	49109-7002	1	Element-Breather ●				
49120A	49120-7113	1	Crankcase ●				

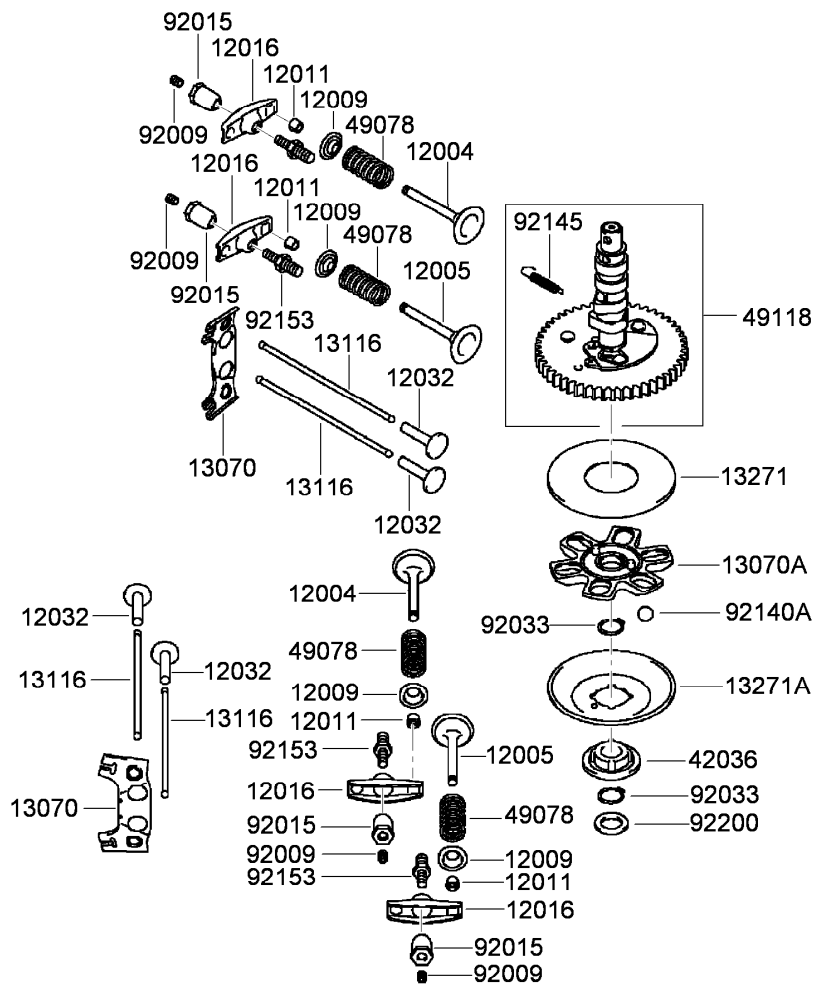
● Obtain parts from [www.kawpowerepc.com](http://www.kawpowerepc.com)



## Piston and Crankshaft Assembly Kawasaki FH541V-GS30

<i>Ref.</i>	<i>Part Number</i>	<i>Qty.</i>	<i>Description</i>
13001	13001-7010	2	Piston-Engine ●
13002	13002-7001	2	Pin-Piston ●
13008	13008-6060	2	Piston Ring Set ●
13031	13031-7073	1	Crankshaft ●
13251	13251-7010	2	Connecting Rod ASM ●
92033	92033-7002	4	Ring-Snap ●
92151	92151-7017	4	Bolt (6X35) ●

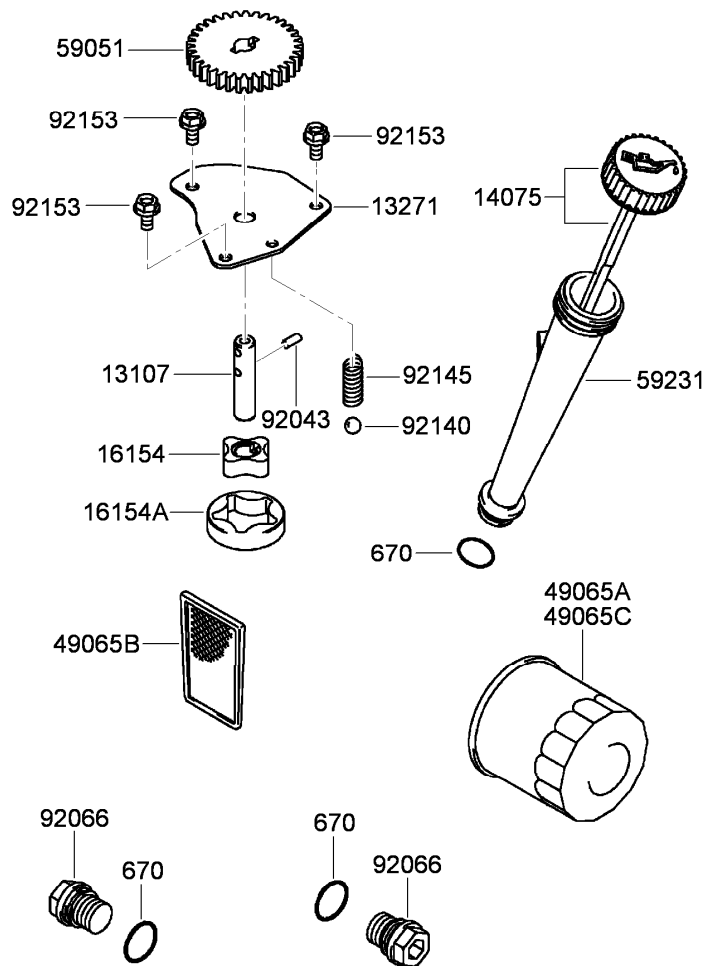
● Obtain parts from [www.kawpowerepc.com](http://www.kawpowerepc.com)



## Valve and Camshaft Assembly Kawasaki FH541V-GS30

Ref.	Part Number	Qty.	Description
12004	12004-7003	2	Valve-Intake ●
12005	12005-7003	2	Valve-Exhaust ●
12009	12009-7001	4	Retainer-Spring, Valve ●
12011	12011-2056	8	Collet ●
12016	12016-7008	4	Arm-Rocker ●
12032	12032-7001	4	Tappet ●
13070	13070-7001	2	Guide ●
13070A	13070-7004	1	Guide ●
13116	13116-2057	4	Rod-Push ●
13271	13271-7007	1	Plate ●
13271A	13271-7021	1	Plate-Governor ●
42036	42036-7010	1	Sleeve ●
49078	49078-7001	4	Spring-Valve, Engine ●
49118	49118-7004	1	Camshaft ●
92009	92009-2341	4	Screw ●
92015	92015-2253	4	Nut ●
92033	92033-7001	2	Ring-Snap ●
92140A	92140-7005	6	Ball ●
92145	92145-7001	1	Spring ●
92153	92153-7019	4	Bolt ●
92200	92200-7001	1	Washer ●

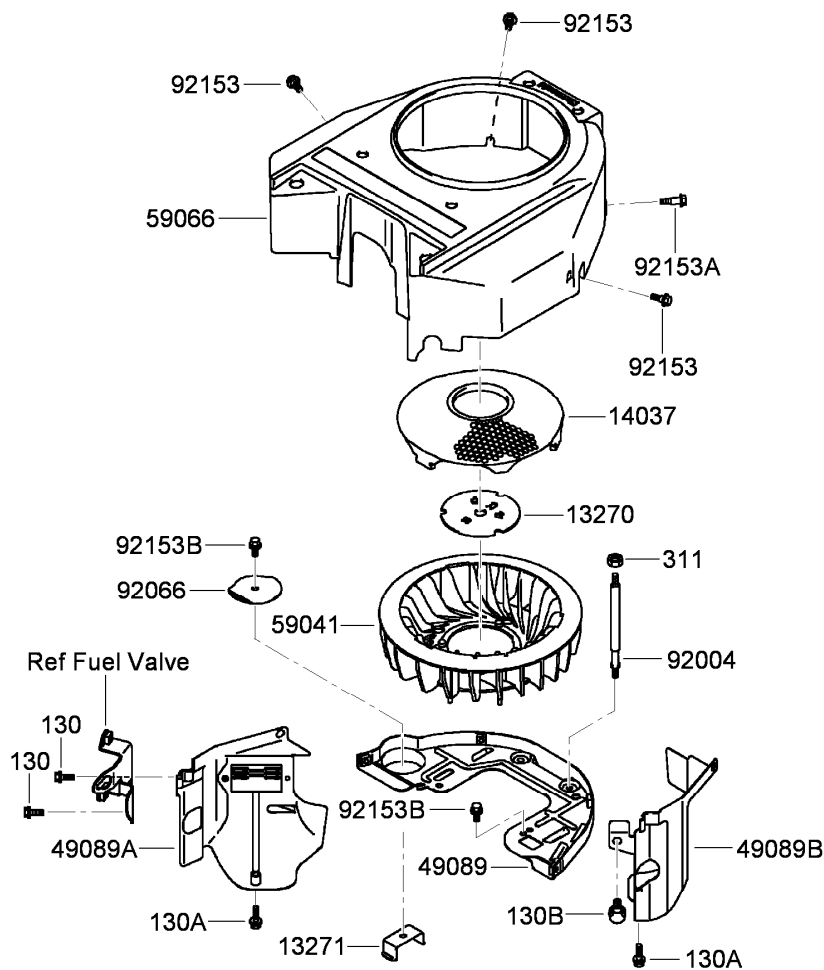
● Obtain parts from [www.kawpowerepc.com](http://www.kawpowerepc.com)



## Lubrication Equipment Assembly Kawasaki FH541V-GS30

Ref.	Part Number	Qty.	Description
670	670D2016	3	O-Ring (16Mm) ●
13107	13107-7009	1	Shaft ●
13271	13271-7017	1	Plate ●
14075	14075-7009	1	Cap ASM ●
16154	16154-2053	1	Rotor-Pump (In) ●
16154A	16154-2054	1	Rotor-Pump (Out) ●
49065A	49065-2078	1	Filter-Oil (Part May Be Used As Substitute And Is Supplied Until The Stock Is Exhausted) ●
49065B	49065-7004	1	Filter-Oil ●
49065C	49065-7010	1	Filter-Oil ●
59051	59051-7011	1	Gear-Spur ●
59231	59231-7005	1	Filler ●
92043	92043-7003	2	Pin ●
92066	92066-7003	2	Plug ●
92140	92140-7003	1	Ball ●
92145	92145-7002	1	Spring ●
92153	92153-7043	3	Bolt (6X12) ●

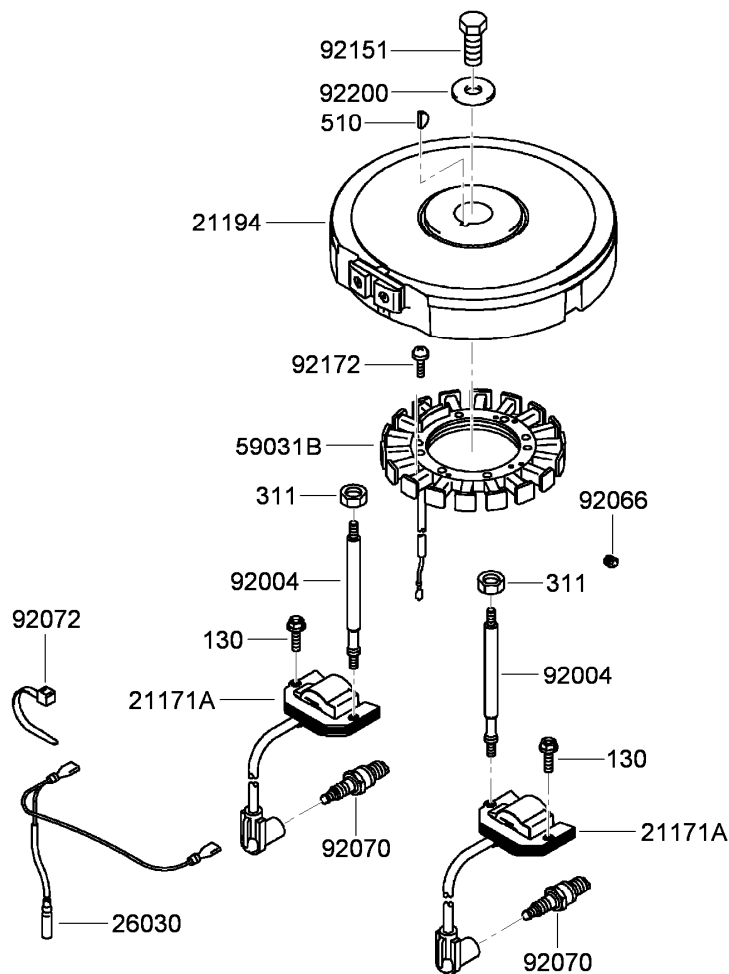
● Obtain parts from [www.kawpowerepc.com](http://www.kawpowerepc.com)



## Cooling Equipment Assembly Kawasaki FH541V-GS30

<i>Ref.</i>	<i>Part Number</i>	<i>Qty.</i>	<i>Description</i>
130	130AA0616	2	Bolt-Flanged (6X16) ●
130A	130AA0625	2	Bolt-Flanged (6X25) ●
130B	130AA0816	1	Bolt-Flanged (8X16) ●
311	311AA0600	2	Nut-Hex (6Mm) ●
13270	13270-7007	1	Plate ●
13271	13271-7002	1	Plate ●
14037	14037-7025-9H	1	Screen ●
49089	49089-7032	1	Shroud-Engine ●
49089A	49089-7042	1	Shroud-Engine ●
49089B	49089-7043	1	Shroud-Engine ●
59041	59041-7012	1	Fan ●
59066	59066-7037	1	Housing-Fan ●
92004	92004-7006	2	Stud ●
92066	92066-7004	1	Plug ●
92153	92153-7007	3	Bolt ●
92153A	92153-7008	1	Bolt ●
92153B	92153-7043	3	Bolt (6X12) ●

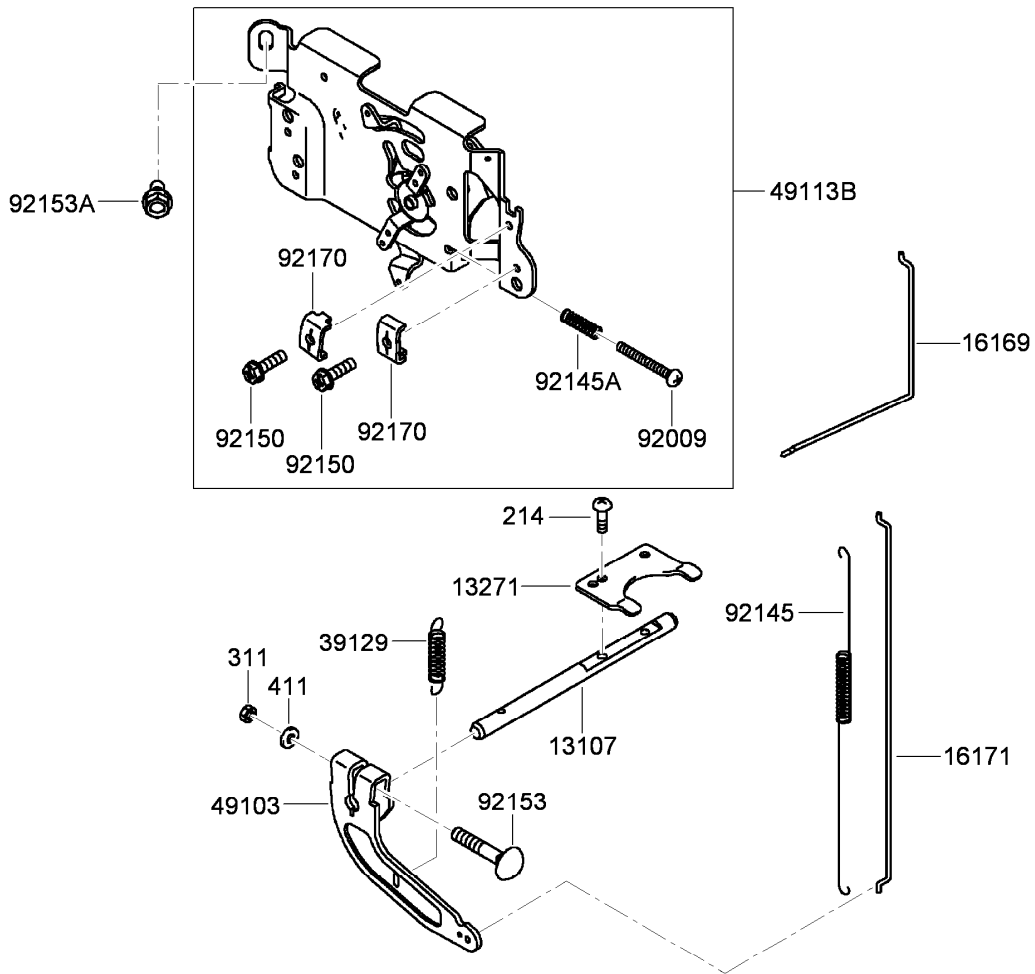
● Obtain parts from [www.kawpowerpc.com](http://www.kawpowerpc.com)



## Electric Equipment Assembly Kawasaki FH541V-GS30

Ref.	Part Number	Qty.	Description
130	130AA0620	2	Bolt-Flanged (6X20) ●
311	311AA0600	2	Nut-Hex (6Mm) ●
510	510A5100	1	Key-Woodruff ●
21171A	21171-7034	2	Ignition Coil ASM ●
21194	21194-7026	1	Flywheel ●
26030	26030-7001	1	Harness ●
59031B	59031-7011	1	Coil-Charging ●
92004	92004-7009	2	Stud ●
92066	92066-7026	1	Plug ●
92070	92070-7003	2	Spark Plug (R C J 8 Y, Solid) ●
92072	92072-7003	3	Band ●
92151	92151-2097	1	Bolt (12X30) ●
92172	92172-7018	4	Screw (5X20) ●
92200	92200-7002	1	Washer ●

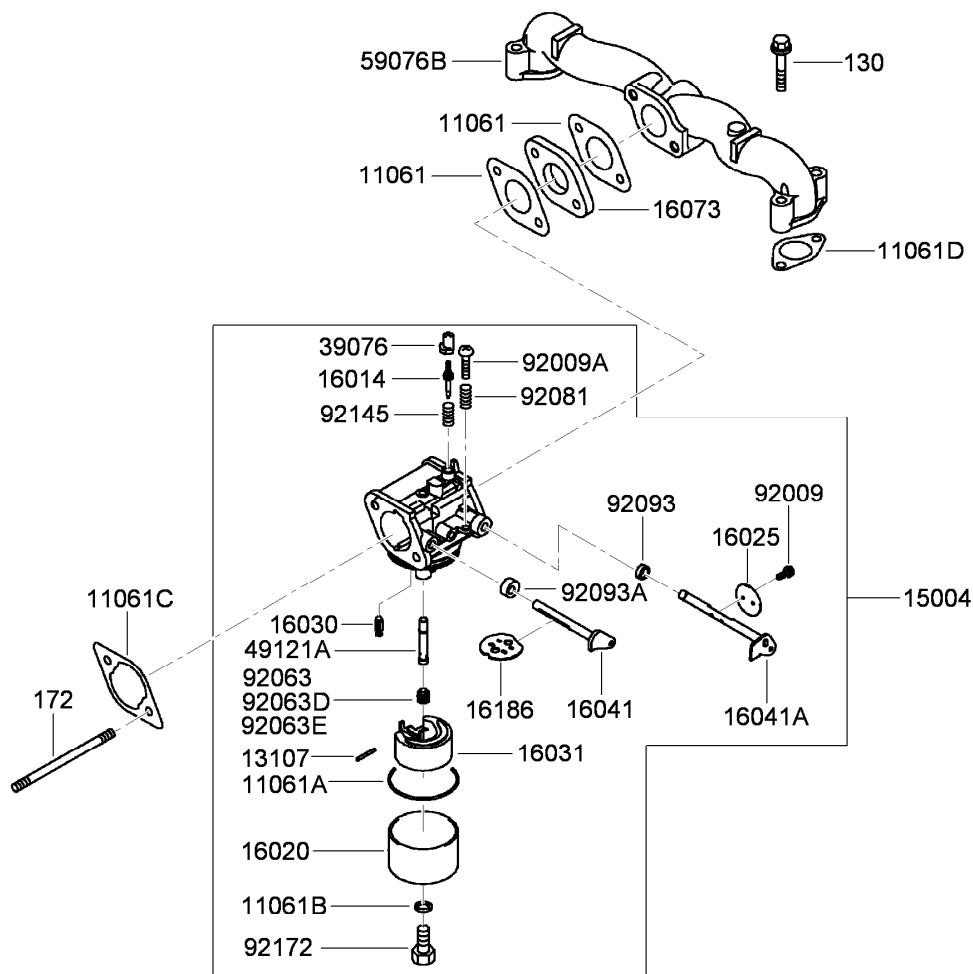
● Obtain parts from [www.kawpowerepc.com](http://www.kawpowerepc.com)



## Control Equipment Assembly Kawasaki FH541V-GS30

Ref.	Part Number	Qty.	Description
214	214AA0408	2	Screw-Pan +-(4X8) ●
311	311AA0600	1	Nut-Hex (6Mm) ●
411	411AA0600	1	Washer-Plain (6Mm) ●
13107	13107-7010	1	Shaft ●
13271	13271-7032	1	Plate ●
16169	16169-7010	1	Link-Choke ●
16171	16171-7001	1	Link ●
39129	39129-7003	1	Spring-Governor ●
49103	49103-7004	1	Arm-Governor ●
49113B	49113-7054	1	Control Panel ASM ●
92009	92009-7007	1	Screw (4X35) ●
92145	92145-7003	1	Spring ●
92145A	92145-7005	1	Spring ●
92150	92150-2182	2	Bolt (5X18) ●
92153	92153-7033	1	Bolt (6X35) ●
92153A	92153-7043	2	Bolt (6X12) ●
92170	92170-7001	2	Clamp ●

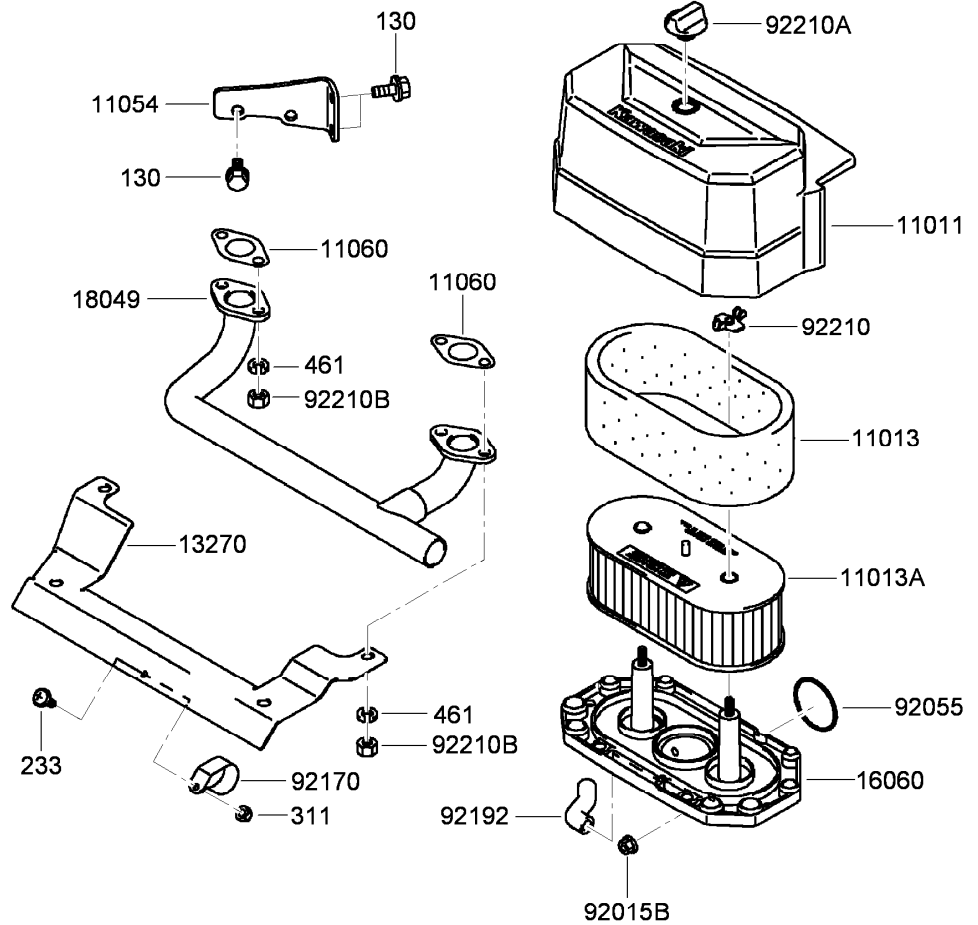
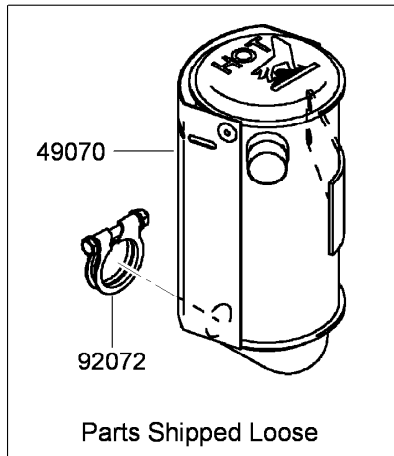
● Obtain parts from [www.kawpowerepc.com](http://www.kawpowerepc.com)



## Carburetor Assembly Kawasaki FH541V-GS30

<i>Ref.</i>	<i>Part Number</i>	<i>Qty.</i>	<i>Description</i>	<i>Ref.</i>	<i>Part Number</i>	<i>Qty.</i>	<i>Description</i>
130	130AA0635	4	Bolt-Flanged (6X35) ●	16073	16073-7007	1	Insulator ●
172	172BA0690	2	Bolt-Stud (6X90) ●	16186	16186-7001	1	Choke Valve ASM ●
11061	11061-7004	2	Gasket-Insulator ●	39076	39076-7001	1	Limiter ●
11061A	11061-7009	1	Gasket-Chamber ●	49121A	49121-7017	1	Nozzle-Main ●
11061B	11061-7010	1	Gasket-Screw ●	59076B	59076-7017	1	Manifold-Intake ●
11061C	11061-7018	1	Gasket-Cleaner, Air ●	92009	92009-2083	2	Screw ●
11061D	11061-7019	2	Gasket ●	92009A	92009-2349	1	Screw ●
13107	13107-7018	1	Shaft ●	92063	92063-7029	1	Jet-Main, No.82 (6560 Ft) ●
15004	15004-7057	1	Carburetor ASM ●	92063D	92063-7147	1	Jet-Main, No.86 ●
16014	16014-7005	1	Screw-Air, Pilot ●	92063E	92063-7148	1	Jet-Main-No.84 (3280 Ft) ●
16020	16020-7003	1	Chamber-Float ●	92081	92081-2234	1	Spring ●
16025	16025-7006	1	Valve-Throttle ●	92093	92093-2100	1	Seal ●
16030	16030-7003	1	Valve-Float ●	92093A	92093-7003	1	Seal ●
16031	16031-7002	1	Float ●	92145	92145-7015	1	Spring ●
16041	16041-7016	1	Shaft-Choke, Carburetor ●	92172	92172-7002	1	Screw ●
16041A	16041-7018	1	Shaft-Throttle, Carburetor ●				

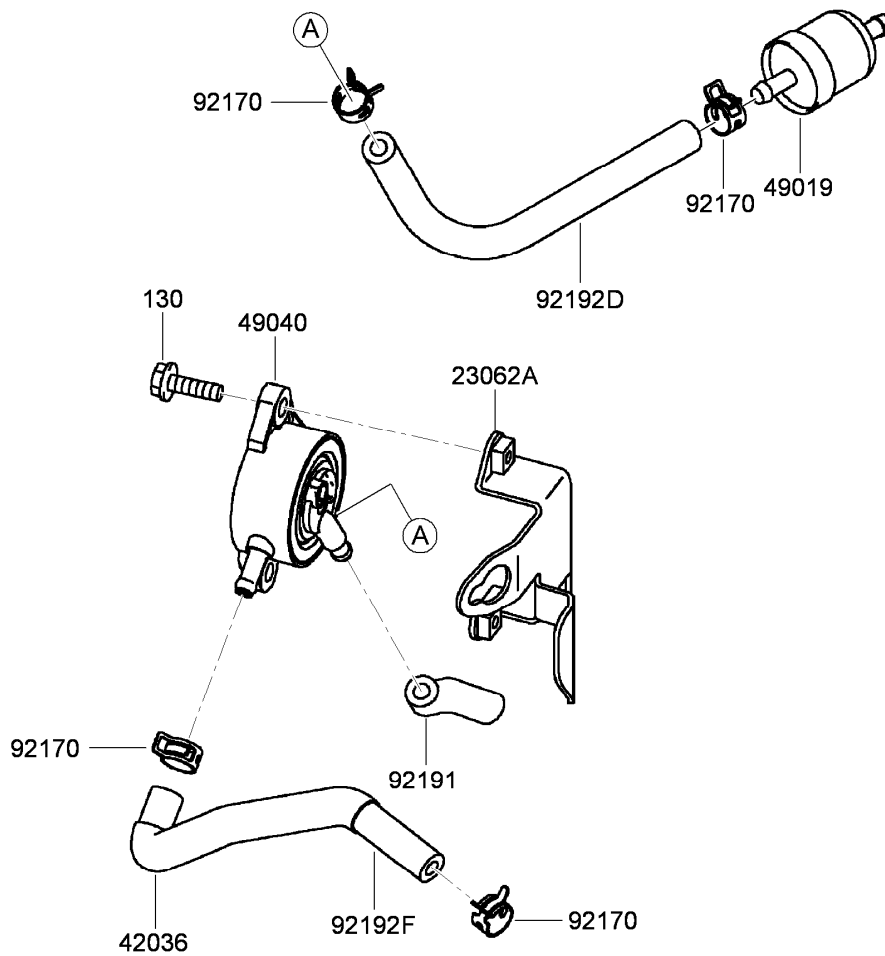
● Obtain parts from [www.kawpowerepc.com](http://www.kawpowerepc.com)



## Air Filter and Muffler Assembly Kawasaki FH541V-GS30

Ref.	Part Number	Qty.	Description
130	130AA0816	3	Bolt-Flanged (8X16) ●
233	233AA0416	1	Screw-Pan, Wp +-(4X16) ●
311	311AA0400	1	Nut-Hex (4Mm) ●
461	461DA0800	4	Washer-Spring (8Mm) ●
11011	11011-7046	1	Case-Filter, Air ●
11013	11013-7025	1	Element-Filter, Air ●
11013A	11013-7031	1	Element-Filter, Air ●
11054	11054-7002-9H	1	Bracket ●
11060	11060-7021	2	Gasket-Muffler ●
13270	13270-7008	1	Plate ●
16060	16060-7016	1	Pipe-Intake ●
18049	18049-7001	1	Pipe-Exhaust ●
49070	49070-7021	1	Muffler ●
92015B	92015-1367	2	Nut ●
92055	92055-7015	1	O-Ring ●
92072	92072-7012	1	Band ●
92170	92170-7002	1	Clamp ●
92192	92192-7010	1	Tube ●
92210	92210-7004	2	Nut (M6) ●
92210A	92210-7019	1	Nut ●
92210B	92210-7027	4	Nut (M8) ●

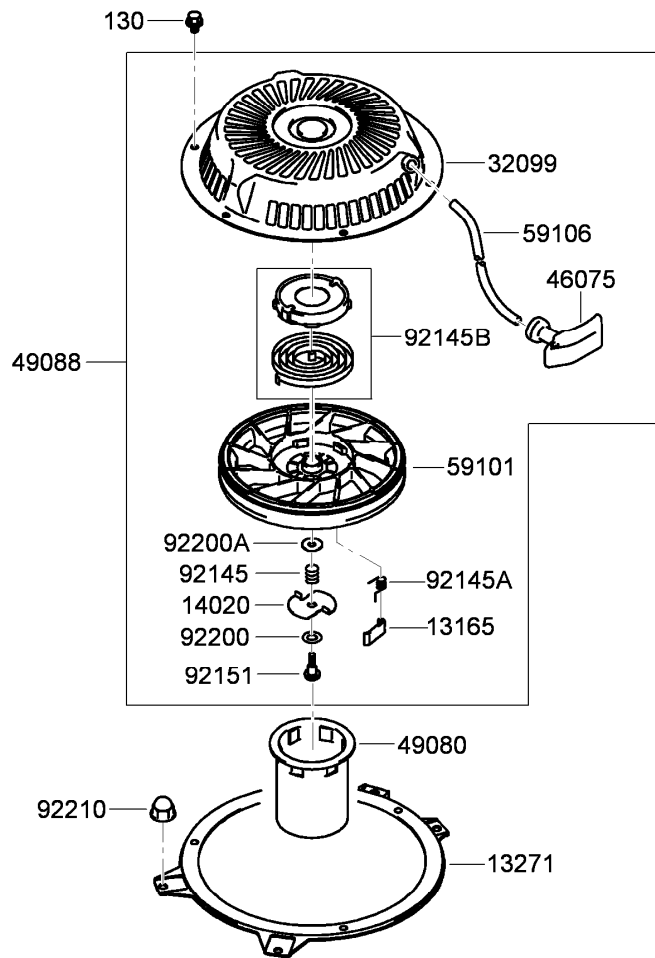
● Obtain parts from [www.kawpowerepc.com](http://www.kawpowerepc.com)



## Fuel Tank and Valve Assembly Kawasaki FH541V-GS30

Ref.	Part Number	Qty.	Description
130	130AA0620	2	Bolt-Flanged (6X20) ●
23062A	23062-7019-9H	1	Bracket ●
42036	42036-7012	1	Sleeve ●
49019	49019-7001	1	Filter-Fuel ●
49040	49040-7001	1	Pump-Fuel ●
92170	92170-2009	4	Clamp ●
92191	92191-7002	1	Tube ●
92192D	92192-7135	1	Tube (6.35X12.7X160) ●
92192F	92192-7136	1	Tube (6.35X12.7X180) ●

● Obtain parts from [www.kawpowerepc.com](http://www.kawpowerepc.com)



## Starter Assembly Kawasaki FH541V-GS30

Ref.	Part Number	Qty.	Description
130	130AA0608	3	Bolt-Flanged (6X8) ●
13165	13165-7001	2	Pawl-Starter, Recoil ●
13271	13271-7003-9H	1	Plate ●
14020	14020-7001	1	Retainer ●
32099	32099-7002	1	Case-Starter, Recoil ●
46075	46075-7001	1	Grip-Starter, Recoil ●
49080	49080-7001	1	Pulley-Starting ●
49088	49088-7013	1	Starter-Recoil ●
59101	59101-7001	1	Reel-Starter, Recoil ●
59106	59106-7005	1	Rope ●
92145	92145-7006	1	Spring ●
92145A	92145-7007	2	Spring ●
92145B	92145-7008	1	Spring ●
92151	92151-7008	1	Bolt ●
92200	92200-7004	1	Washer ●
92200A	92200-7005	1	Washer ●
92210	92210-0003	4	Nut ●

● Obtain parts from [www.kawpowerepc.com](http://www.kawpowerepc.com)

56033



56070



56080



56080B



## Label Assembly Kawasaki FH541V-GS30

Ref.	Part Number	Qty.	Description
56033	56033-7001	1	Label-Manual ●
56070	56070-7001	1	Label-Warning ●
56080	56080-2077	1	Label-Brand ●
56080B	56080-7056	1	Label-Brand ●

● Obtain parts from [www.kawpowerepc.com](http://www.kawpowerepc.com)

# Attachments and Accessories

## For 30098 Commercial Walk-Behind Mower, Floating Deck T-Bar Gear with 48in TURBO FORCE Cutting Unit

<b>Product Name</b>	<b>Model/Part</b>
Blade-Low Flow, 16.5 Inch.....	107-3193-03
Blade-Mid Flow, 16.5 Inch.....	107-3194-03
Blade-Atomic, 16.5 Inch.....	107-3195-03
Blade-Recycling, 16.5 Inch.....	107-3196-03
Bagging Enhancement Kit.....	108-4091
Blade-Hi Flow, 16.5 Inch (6 Pack).....	110-0414
Blade-Lo Flow, 16.5 Inch (6 Pack).....	110-0415
Blade-Recycler, 16.5 Inch (6 Pack).....	110-0416
Blade-Atomic, 16.5 Inch (6 Pack).....	110-0417
Blade-Mid Flow, 16.5 Inch (6 Pack).....	110-0418
48 Inch Recycler Kit.....	110-2060
Weight-Cast.....	112-7059-01
Weight Kit.....	112-9971
Trim Side Anti-Scalp Roller Kit.....	115-1015
Discharge Side Anti-Scalp Roller Kit.....	115-1016
Operator-Controlled Discharge Chute Kit.....	115-4195
Soft Bag (3 Bushel).....	30104
Tru Trak Sulky.....	30110

**Notes:**

**Notes:**

**Notes:**



**Count on it.**