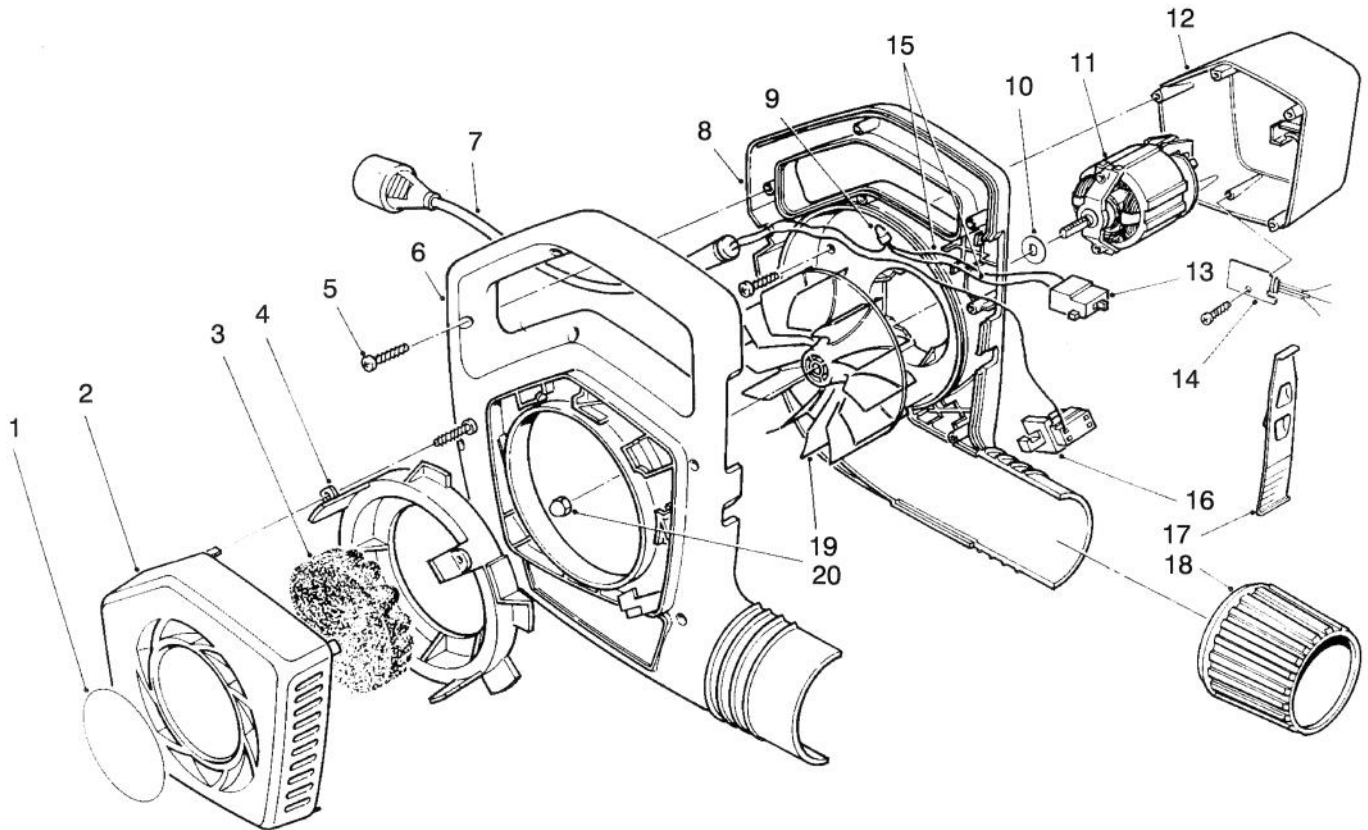




MODEL NO. 51577-490001 & UP	PARTS CATALOG
800 SUPERBLOWER™	

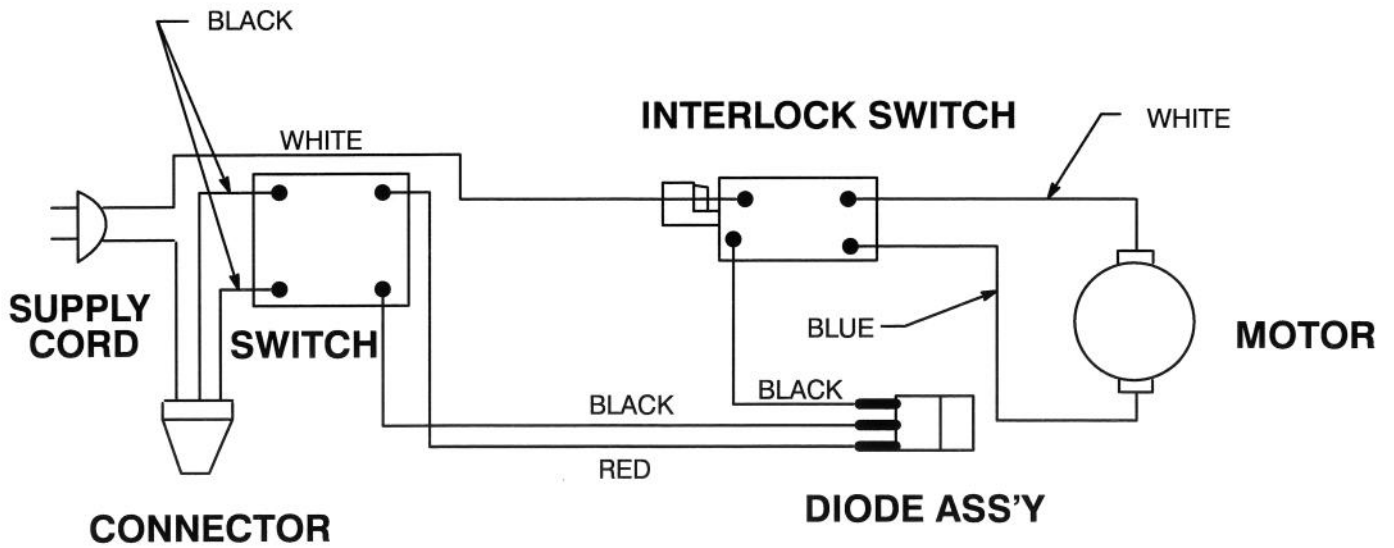


C-1687

BLOWER ASSEMBLY

Ref. No.	Part No.	Description	No. Used
1	73-7570	Decal - Cover	1
2	73-1341	Cover - Intake	1
3	73-3090	Foam - Center	1
4	73-1351	Ring - Coupling	1
5	32104-121	Screw - Self Tapping	17
6	60-9613	Housing - Blower, R.H.	1
7	73-3473	Cord - Power Supply	1
8	61-8432	Housing - Blower, L.H.	1
9	218-511	Connector - Wire	1
10	57-4271	Washer - Impeller	2

Ref. No.	Part No.	Description	No. Used
11	73-1370	Motor - Blower	1
12	57-1074	Cover - Motor	1
13	73-5780	Switch - 2 Speed	1
14	73-5790	Diode Assembly	1
15	73-3170	Wire	2
16	57-5910	Switch - Interlock	1
17	57-5942	Switch - Cam, 2 Speed	1
18	57-3261	Collar - Output	1
19	73-1330	Impeller	1
20	73-5380	Nut - Cap, Locking	1



C-1698

ELECTRICAL SCHEMATIC

Ref. No.	Part No.	Description	No. Used

Ref. No.	Part No.	Description	No. Used

TORO PART NUMBER INDEX

Part No.	Description	Pg. No.	Ref. No.	Qty.	Part No.	Description	Pg. No.	Ref. No.	Qty.
57-1074	Cover - Motor	1	12	1	73-7570	Decal - Cover	1	1	1
57-3261	Collar - Output	1	18	1	73-3090	Foam - Center	1	3	1
57-3270	Tube - Blower	2	2	2	73-3170	Wire	1	15	2
57-3280	Nozzle - Concentrating	2	1	1	73-3473	Cord - Power Supply	1	7	1
57-4271	Washer - Impeller	1	10	2	73-5380	Nut - Cap, Locking	1	20	1
57-5910	Switch - Interlock	1	16	1	73-5780	Switch - 2 Speed	1	13	1
57-5942	Switch - Cam, 2 Speed	1	17	1	73-5790	Diode Assembly	1	14	1
60-9613	Housing - Blower, R.H.	1	6	1	218-511	Connector - Wire	1	9	1
61-8432	Housing - Blower, L.H.	1	8	1	32104-121	Screw - Self Tapping	1	5	17
73-1330	Impeller	1	19	1					
73-1341	Cover - Intake	1	2	1					
73-1351	Ring - Coupling	1	4	1					
73-1370	Motor - Blower	1	11	1					

OPTIONAL EQUIPMENT

Vacuum Tube & Bagging Kit Model No. 51533