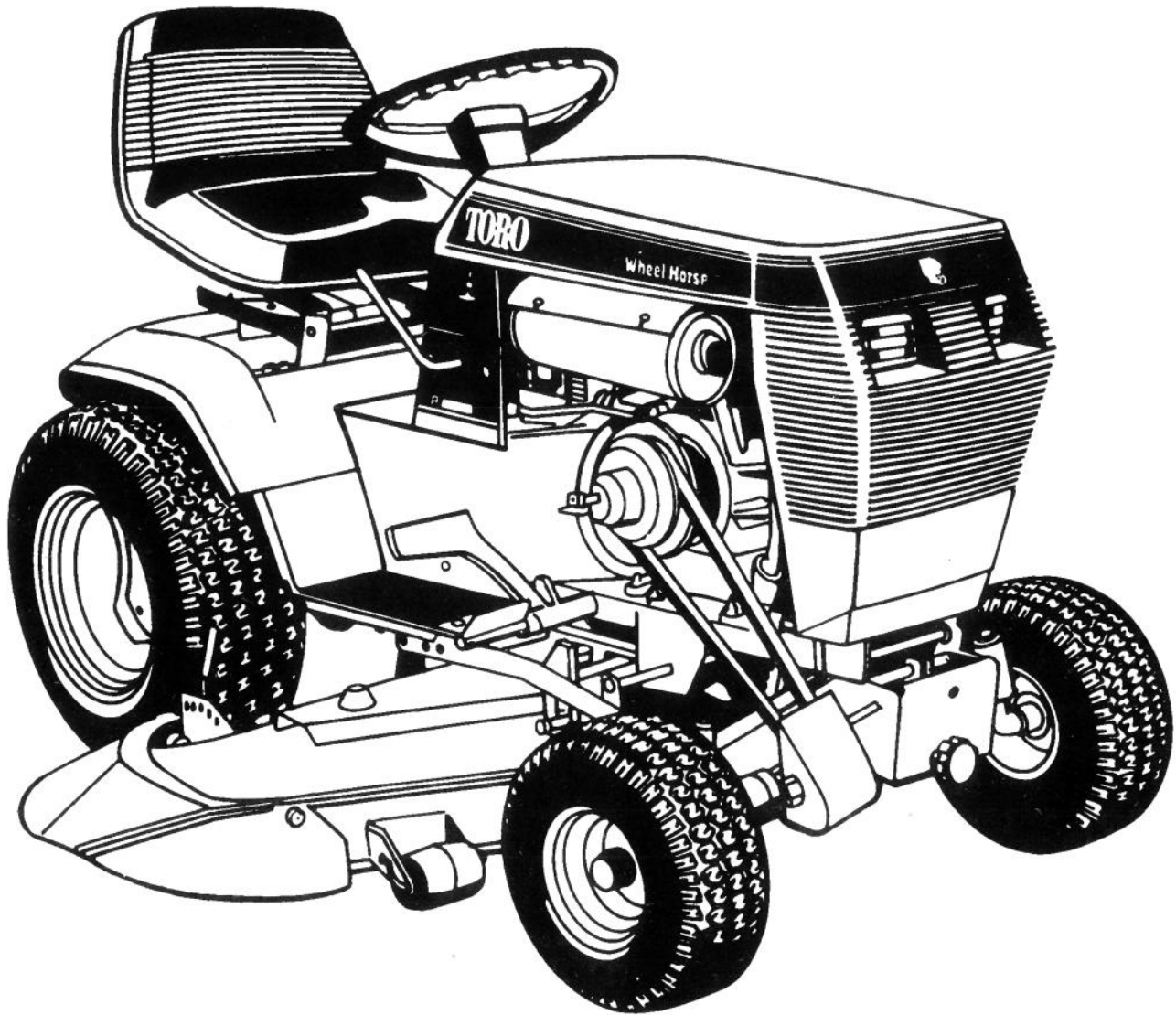
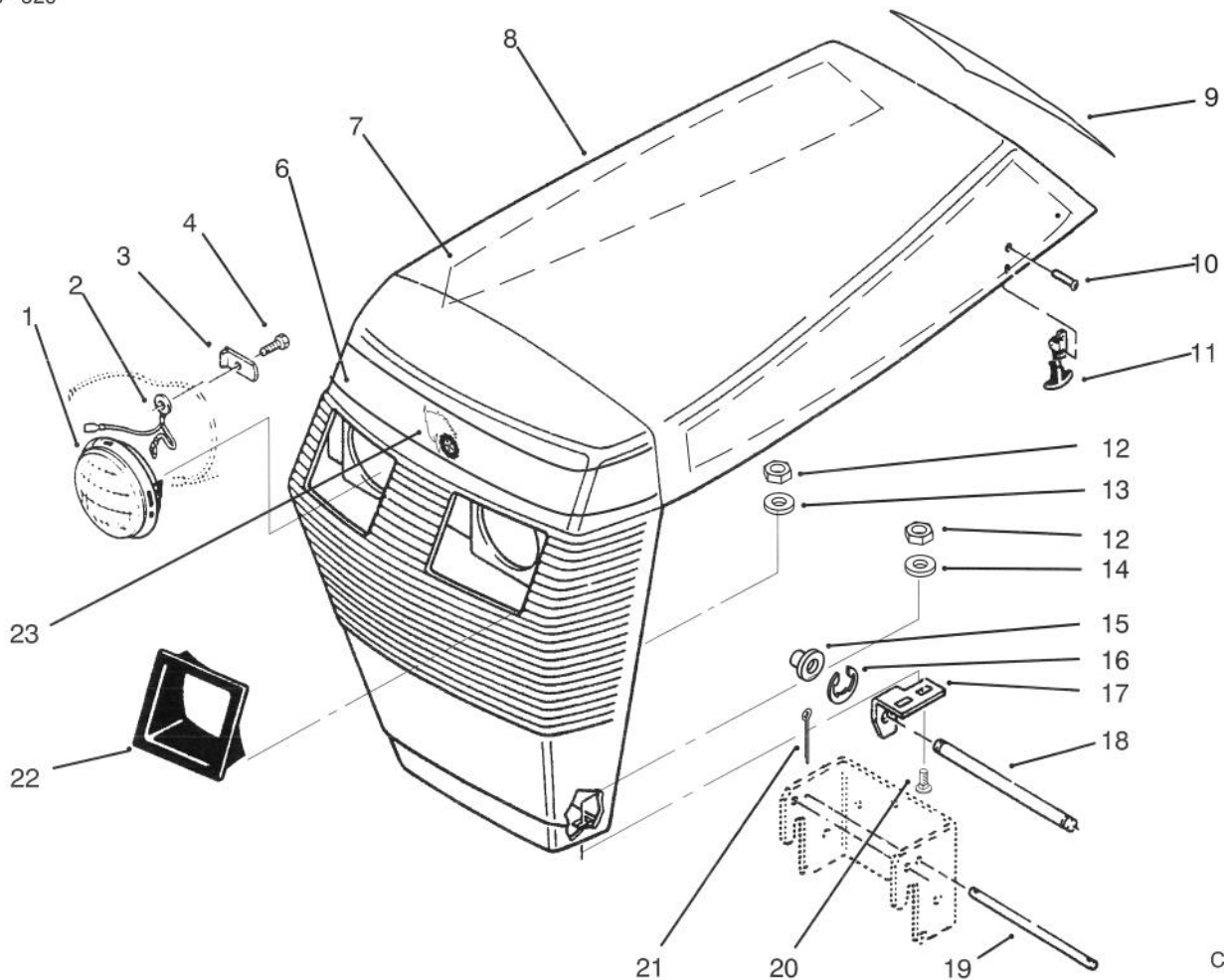


MODEL NO. 73400-4900001 & UP

PARTS  
CATALOG

**WHEEL HORSE**<sup>®</sup>  
314-8 Garden Tractor





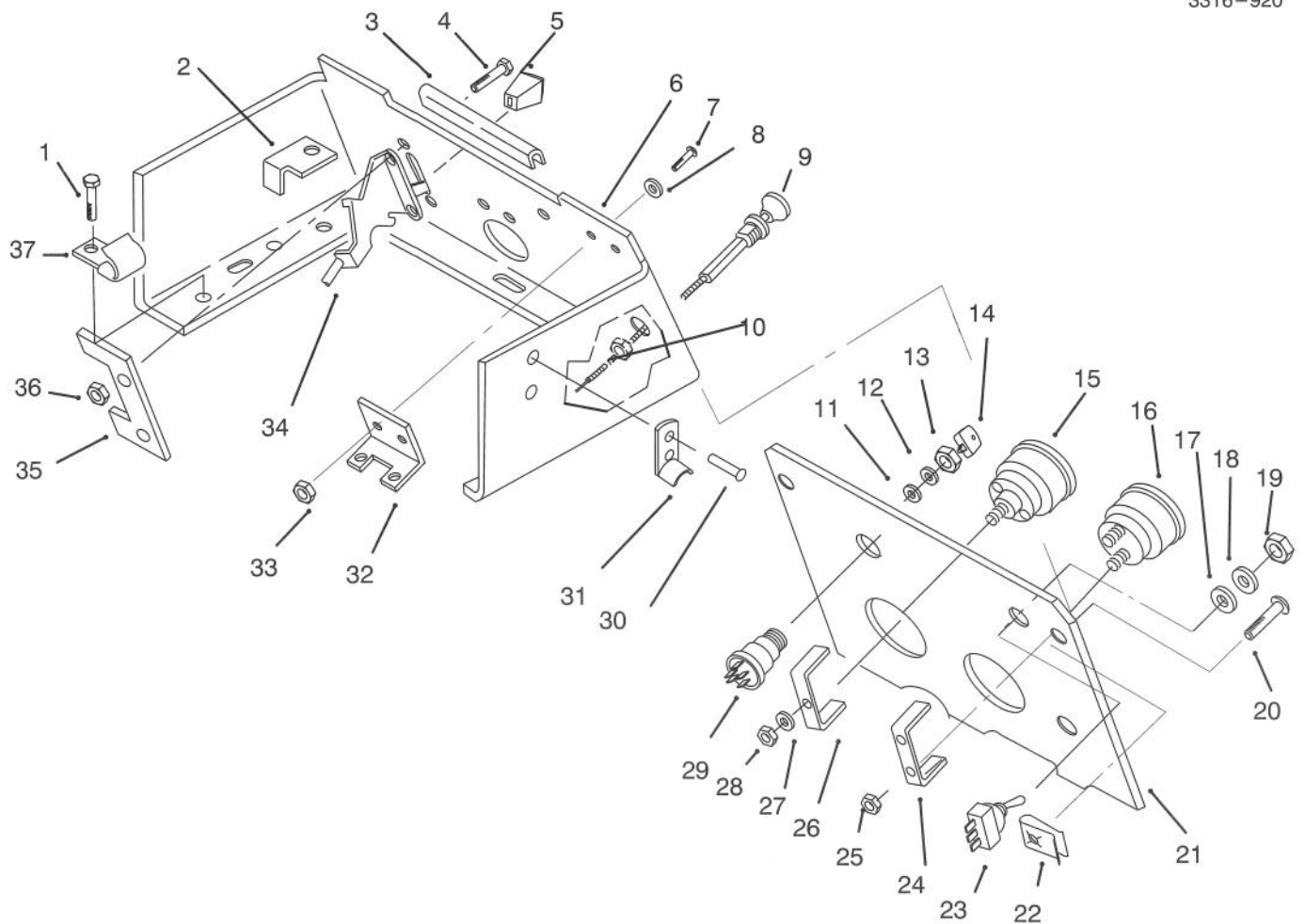
C-1481

## HOOD ASSEMBLY

| Ref. No. | Part No. | Description              | No. Used |
|----------|----------|--------------------------|----------|
| 1        | 102881   | Headlight                | 2        |
| 2        | 108130   | Wire - Headlight Ground  | 1        |
| 3        | 109459   | Clamp                    | 2        |
| 4        | 926671   | Bolt                     | 2        |
| 6        | 92-9826  | Decal - Hood, Front      | 1        |
| 7        | 92-9825  | Decal - Hood RH          | 1        |
| *        | 92-9824  | Decal - Hood LH          | 1        |
| 8        | 88-2782  | Hood<br>(Incl. Ref. # 9) | 1        |
| 9        | 92-9837  | Decal - Danger           | 1        |
| 10       | 117432   | Rivet - Pop              | 4        |
| 11       | 117344   | Handle Assembly          | 2        |
| 12       | 3296-42  | Nut                      | 4        |

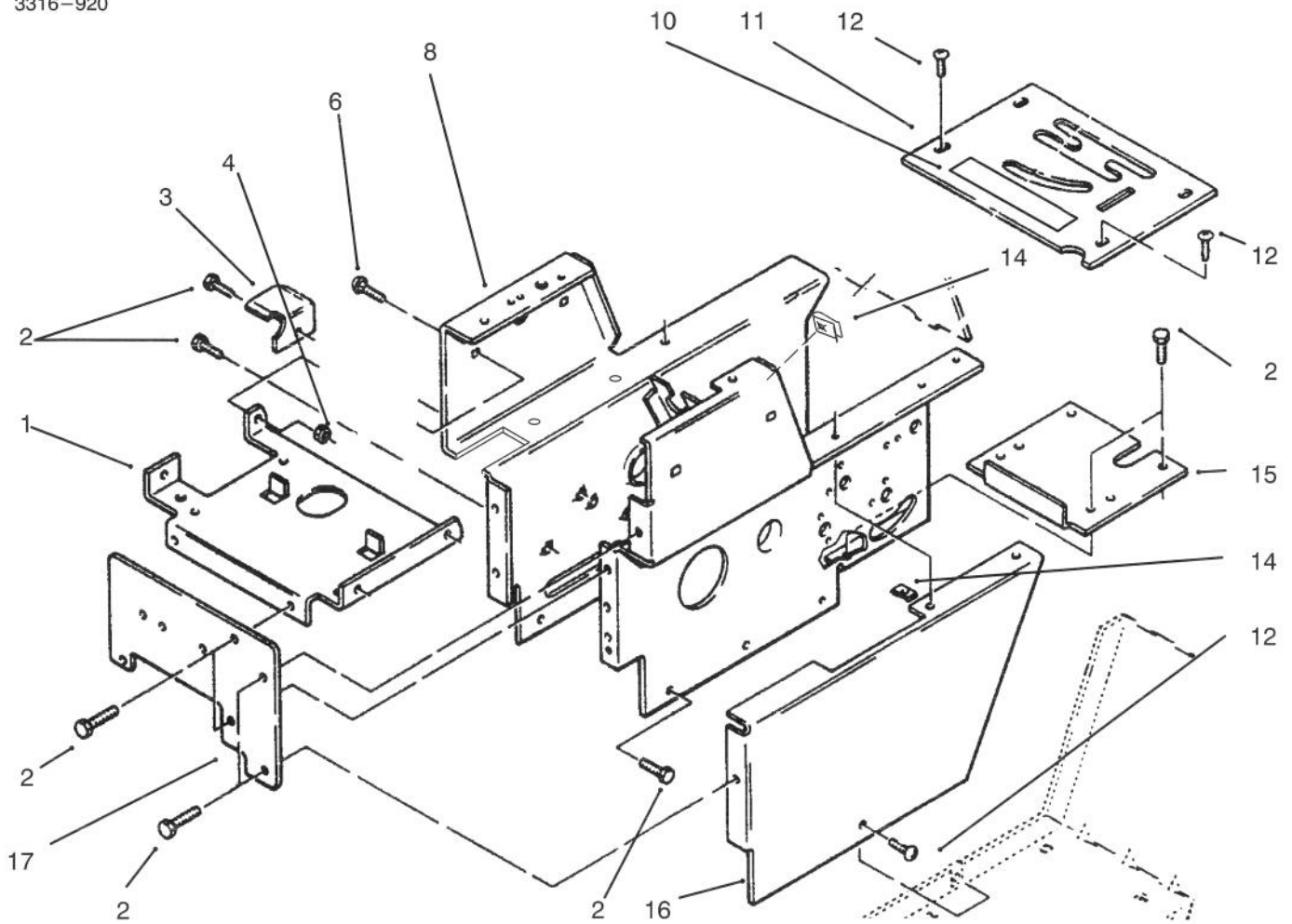
| Ref. No. | Part No. | Description             | No. Used |
|----------|----------|-------------------------|----------|
| 13       | 3254-2   | Washer - Intl. T        | 1        |
| 14       | 3256-22  | Washer                  | 3        |
| 15       | 5979     | Bushing - Hood Pivot    | 2        |
| 16       | 105797   | Ring - Retaining        | 2        |
| 17       | 116747   | Bracket - LH            | 1        |
| *        | 116746   | Bracket - RH            | 1        |
| 18       | 116745   | Rod - Pivot             | 1        |
| 19       | 101850   | Rod - Hood Stop         | 1        |
| 20       | 3229-25  | Bolt - Carriage         | 4        |
| 21       | 3272-1   | Pin - Cotter            | 2        |
| 22       | 109495   | Retainer - Headlight LH | 1        |
| *        | 109494   | Retainer - Headlight RH | 1        |
| 23       | 92-9836  | Decal - Logo            | 1        |

\*Not Illustrated



## CONTROL PANEL

| Ref. No. | Part No. | Description                          | No. Used | Ref. No. | Part No. | Description                              | No. Used |
|----------|----------|--------------------------------------|----------|----------|----------|--|----------|
| 1        | 926694   | Screw - Hex. Washer Hd.              | 3        | 20       | 910837   | Screw                                    | 7        |
| 2        | 112415   | Stop - PTO                           | 1        | 21       | 111034   | Plate - Hood Stand                       | 1        |
| 3        | 111757   | Edging - Console                     | 1        | 22       | 8830     | Clip                                     | 2        |
| 4        | 910792   | Screw                                | 6        | 23       | 102138   | Switch - Light<br>(Incl. Ref. #17-19)    | 1        |
| 5        | 66-0120  | Knob - Control                       | 1        | 24       | 78-0080  | Clamp - Volt Meter                       | 1        |
| 6        | 111271   | Console                              | 1        | 25       | 5924     | Nut                                      | 2        |
| 7        | 910762   | Screw                                | 2        | 26       | 78-3320  | Clamp - Steel                            | 1        |
| 8        | 920150   | Washer - Lock                        | 2        | 27       | 3255-25  | Washer - Lock                            | 1        |
| 9        | 112214   | Control - Choke                      | 1        | 28       | 3217-27  | Nut - Hex                                | 1        |
| 10       | 109530   | Nut                                  | 1        | 29       | 116338   | Switch - Ignition<br>(Incl. Ref. #11-13) | 1        |
| 11       | 920262   | Washer - Special                     | 1        | 30       | 117431   | Rivet - Pop                              | 4        |
| 12       | 920160   | Washer - IntL. T                     | 1        | 31       | 117343   | Latch - Hood                             | 2        |
| 13       | 101884   | Nut - Special                        | 1        | 32       | 112506   | Bracket - Indicator Lights               | 1        |
| 14       | 62-7770  | Key - Ignition, Padded               | 1        | 33       | 915960   | Nut                                      | 2        |
| 15       | 78-0020  | Meter - Hour<br>(Incl. Ref. # 27-28) | 1        | 34       | 115854   | Control - Throttle                       | 1        |
| 16       | 79-0060  | Meter - Volt<br>(Incl. Ref. # 24-25) | 1        | 35       | 120590   | Stop - Throttle                          | 1        |
| 17       | 920259   | Washer - Special                     | 1        | 36       | 915740   | Nut - Lock                               | 2        |
| 18       | 102950   | Ring - Retaining                     | 1        | 37       | 111392   | "J"Clip                                  | 1        |
| 19       | 113179   | Nut                                  | 1        |          |          |  |          |

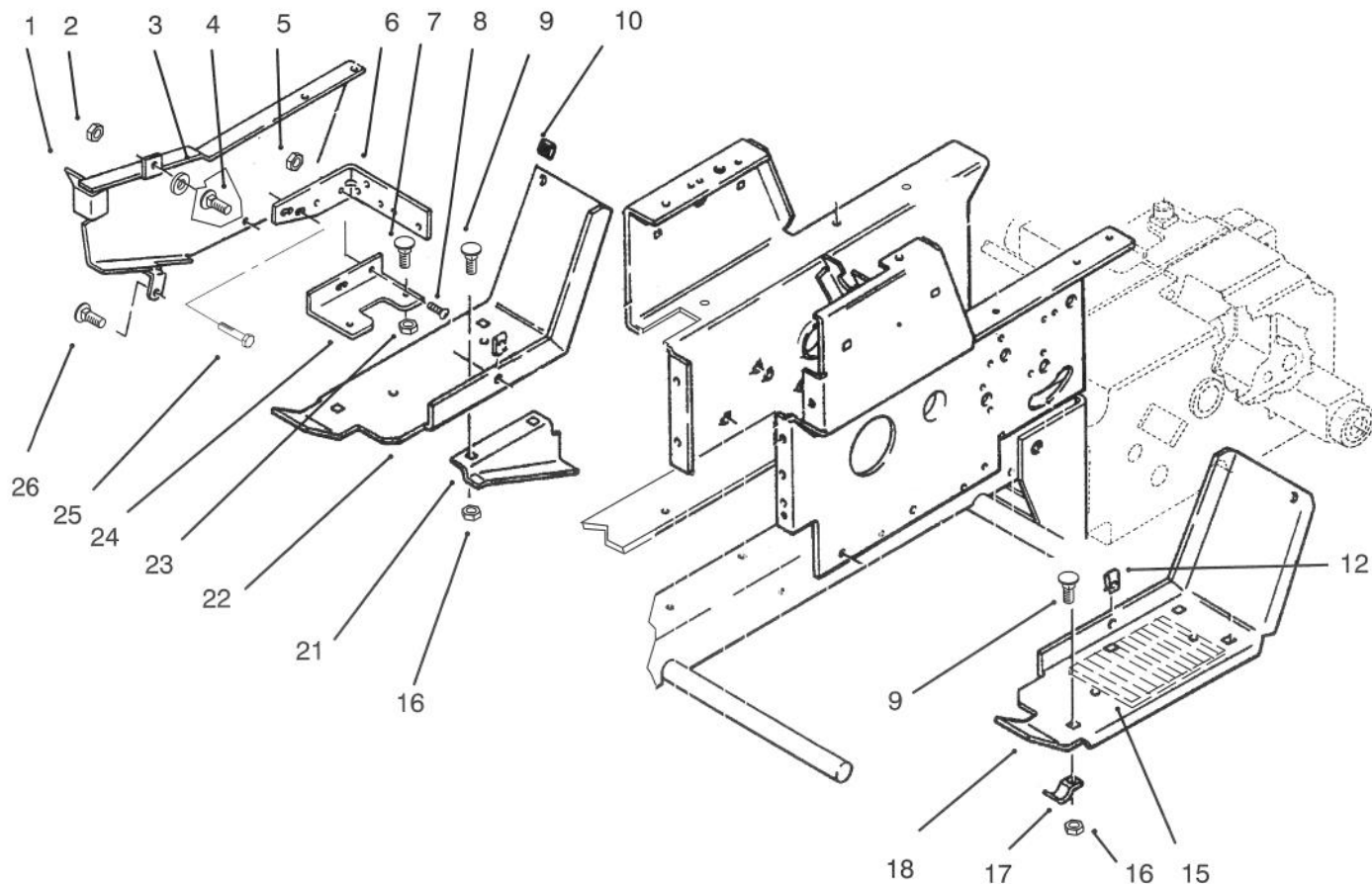


## HOOD STAND AND SUPPORTS

| Ref. No. | Part No. | Description               | No. Used |
|----------|----------|---------------------------|----------|
| 1        | 78-3010  | Bracket - Battery Support | 1        |
| 2        | 926694   | Screw - Hex. Hd.          | 13       |
| 3        | 88-2170  | Bracket - Belt            | 1        |
| 4        | 9151126  | Nut                       | 4        |
| 6        | 117371   | Bolt - Carriage           | 4        |
| 8        | 92-1525  | Hoodstand                 | 1        |
| 10       | 92-8946  | Decal - Danger            | 1        |

| Ref. No. | Part No. | Description                            | No. Used |
|----------|----------|--|----------|
| 11       | 92-6529  | Plate - Shift Cover<br>(Incl. Ref.#10) | 1        |
| 12       | 910837   | Screw                                  | 7        |
| 14       | 107069   | Nut - Speed                            | 7        |
| 15       | 106250   | Cover - Dust                           | 1        |
| 16       | 113935   | Cover - Side, LH                       | 1        |
| 17       | 78-3020  | Plate - Front                          |          |

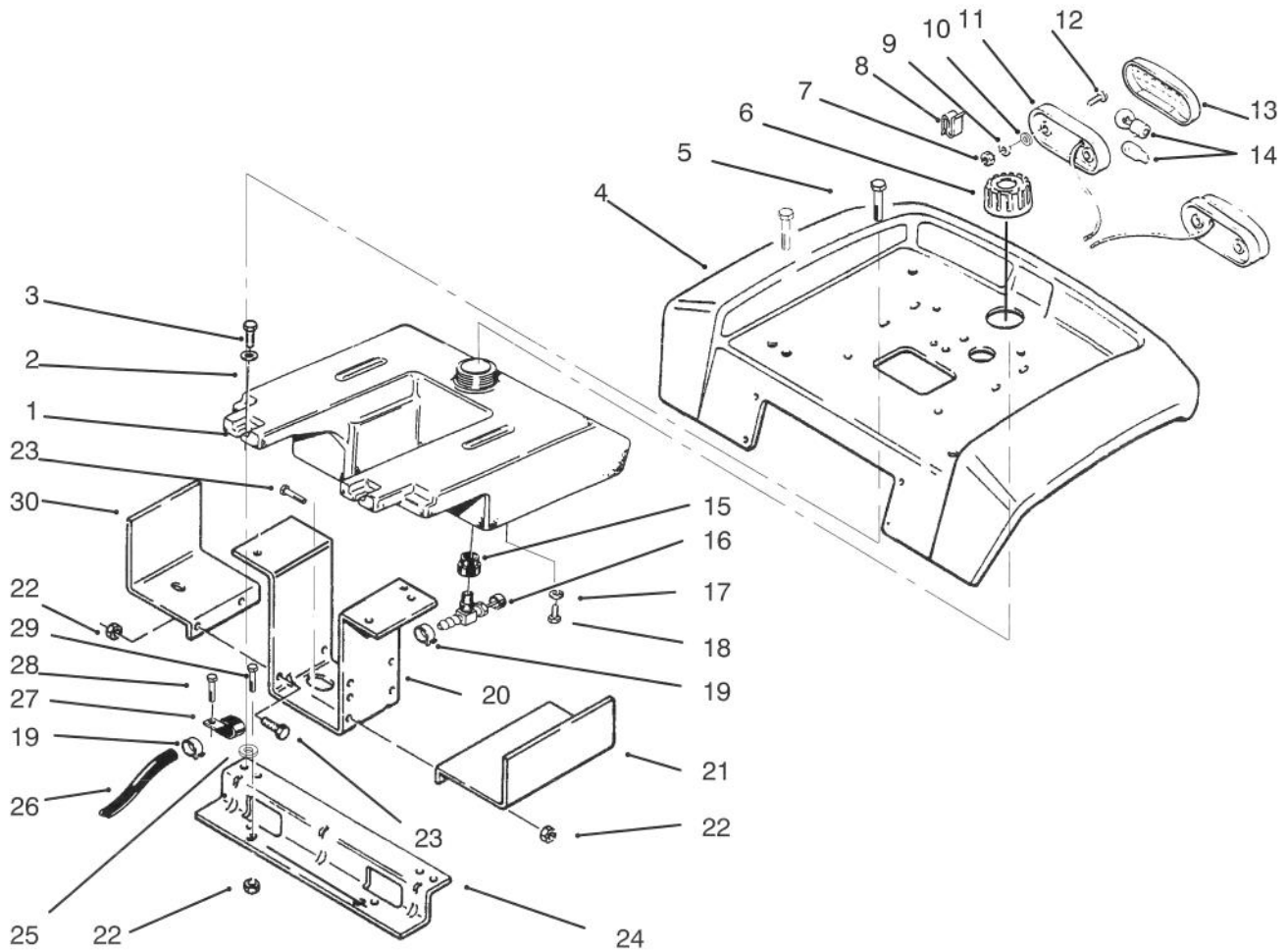
\*Not Illustrated



## BELT GUARD & FOOTRESTS

| Ref. No. | Part No. | Description          | No. Used |
|----------|----------|----------------------|----------|
| 1        | 107975   | Guard – Belt         | 1        |
| 2        | 3296-29  | Nut – Lock           | 7        |
| 3        | 108457   | Nut – Push           | 1        |
| 4        | 910837   | Bolt – Carriage      | 9        |
| 5        | 3296-42  | Nut                  | 1        |
| 6        | 109554   | Bracket – Belt Guard | 1        |
| 7        | 910794   | Screw – Machine      | 2        |
| 8        | 321-4    | Bolt                 | 2        |
| 9        | 116000   | Bolt – Carriage      | 6        |
| 10       | 518211   | Bumper               | 2        |
| 12       | 107069   | Clip                 | 3        |

| Ref. No. | Part No. | Description        | No. Used |
|----------|----------|--------------------|----------|
| 15       | 110636   | Pad – Footrest     | 2        |
| 16       | 3296-29  | Nut                | 11       |
| 17       | 7456     | Clamp              | 4        |
| 18       | 106223   | Footrest – LH      | 1        |
| 21       | 106352   | Guard – Lower Belt | 1        |
| 22       | 106222   | Footrest – RH      | 1        |
| 23       | 915740   | Nut                | 4        |
| 24       | 117331   | Holder – Fuse      | 1        |
| 25       | 3230-1   | Bolt               | 1        |
| 26       | 926694   | Bolt               | 6        |

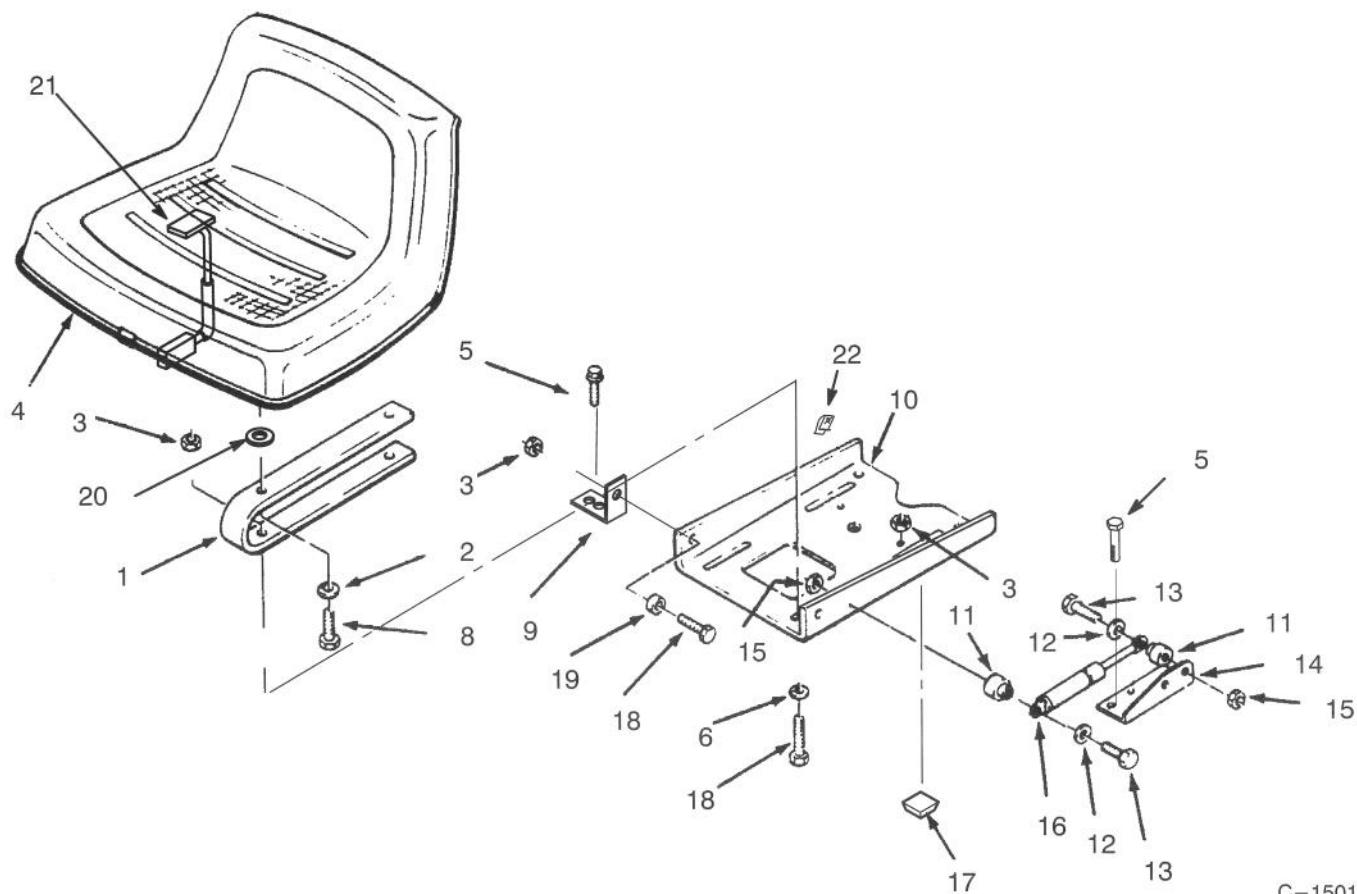


## FENDER AND SUPPORT

| Ref. No. | Part No. | Description              | No. Used |
|----------|----------|--------------------------|----------|
| 1        | 106234   | Tank - Fuel              | 1        |
| 2        | 3256-4   | Washer                   | 2        |
| 3        | 926697   | Bolt                     | 2        |
| 4        | 110960   | Fender                   | 1        |
| 5        | 926694   | Bolt                     | 2        |
| 6        | 55-3570  | Fuel Cap                 | 1        |
| 7        | 3296-27  | Nut                      | 4        |
| 8        | 3023     | Clip - Small             | 1        |
| 9        | 3256-21  | Washer                   | 4        |
| 10       | 3254-1   | Washer - Lock            | 4        |
| 11       | 105202   | Base - Taillight, w/Bulb | 2        |
| 12       | 910808   | Screw                    | 4        |
| 13       | 112564   | Lens - Taillight         | 2        |
| 14       | 8043     | Bulb - Light, Metal Base | 2        |
| *        | 109045   | Bulb - Light, All Glass  | 2        |
| 15       | 104047   | Bushing                  | 1        |

| Ref. No. | Part No. | Description              | No. Used |
|----------|----------|--------------------------|----------|
| 16       | 104048   | Valve - Fuel Shut-Off    | 1        |
| 17       | 3253-4   | Washer - Lock            | 1        |
| 18       | 322-2    | Bolt                     | 5        |
| 19       | 2412-98  | Clamp                    | 2        |
| 20       | 79-4990  | Bracket - Fender Support | 1        |
| 21       | 108464   | Support - Fuel Tank, LH  | 1        |
| 22       | 3296-29  | Nut                      | 6        |
| 23       | 322-3    | Bolt                     | 6        |
| 24       | 107951   | Bracket - Fender Front   | 1        |
| 25       | 3256-23  | Washer                   | 2        |
| 26       | 92-9511  | Line - Fuel 62"          | 1        |
| 27       | 8830     | "J"Clip                  | 1        |
| 28       | 3235-22  | Screw - Hex. Hd.         | 1        |
| 29       | 322-5    | Screw - Hex. Hd.         | 2        |
| 30       | 106236   | Support - Fuel Tank, RH  | 1        |

\*Not Illustrated



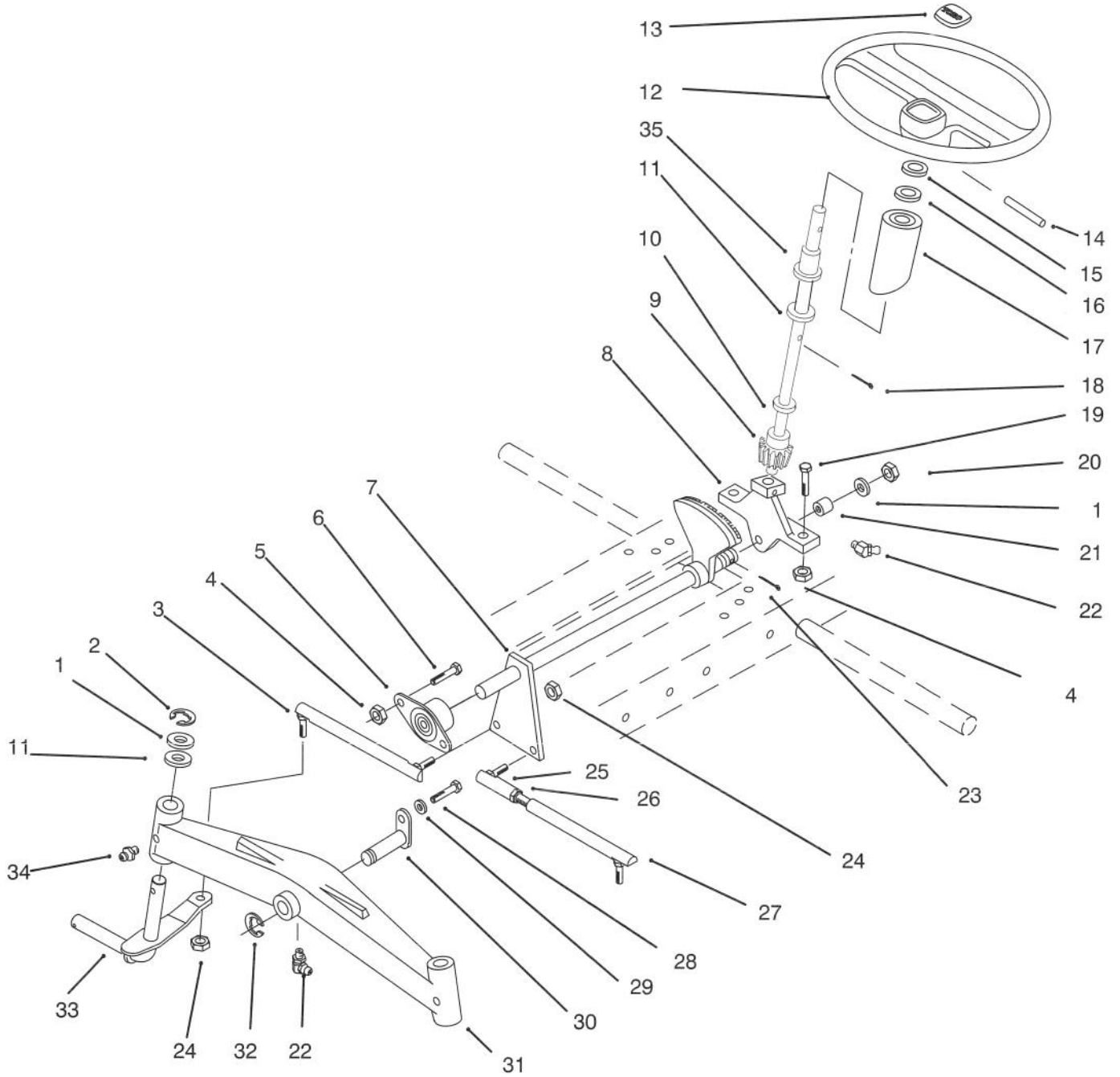
C-1501

## SEAT

| Ref. No. | Part No. | Description        | No. Used | Ref. No. | Part No. | Description      | No. Used |
|----------|----------|--------------------|----------|----------|----------|------------------|----------|
| 1        | 110920   | Spring - Seat      | 2        | 13       | 321-8    | Screw - Hex. Hd. | 2        |
| 2        | 3253-4   | Washer - Lock      | 4        | 14       | 114345   | Bracket          | 1        |
| 3        | 3296-29  | Nut - Lock         | 6        | 15       | 3296-42  | Nut - Lock       | 2        |
| 4        | 78-0760  | Seat               | 1        | 16       | 114343   | Spring - Gas     | 1        |
| 5        | 92-6697  | Screw              | 4        | 17       | 111071   | Bumper           | 2        |
| 6        | 3256-23  | Washer             | 4        | 18       | 322-4    | Screw - Hex. Hd. | 6        |
| 8        | 322-5    | Screw - Hex. Hd.   | 4        | 19       | 105503   | Bushing          | 2        |
| 9        | 105524   | Bracket - Pivot    | 2        | 20       | 109989   | Spacer           | 4        |
| 10       | 78-2990  | Plate - Seat Pivot | 1        | 21       | 38-1420  | Switch - Seat    | 1        |
| 11       | 114344   | Spacer             | 2        | 22       | 3023     | Clip - Speed     | 1        |
| 12       | 3256-22  | Washer             | 2        |          |          |                  |          |

\*Not Illustrated

# FRONT AXLE AND STEERING

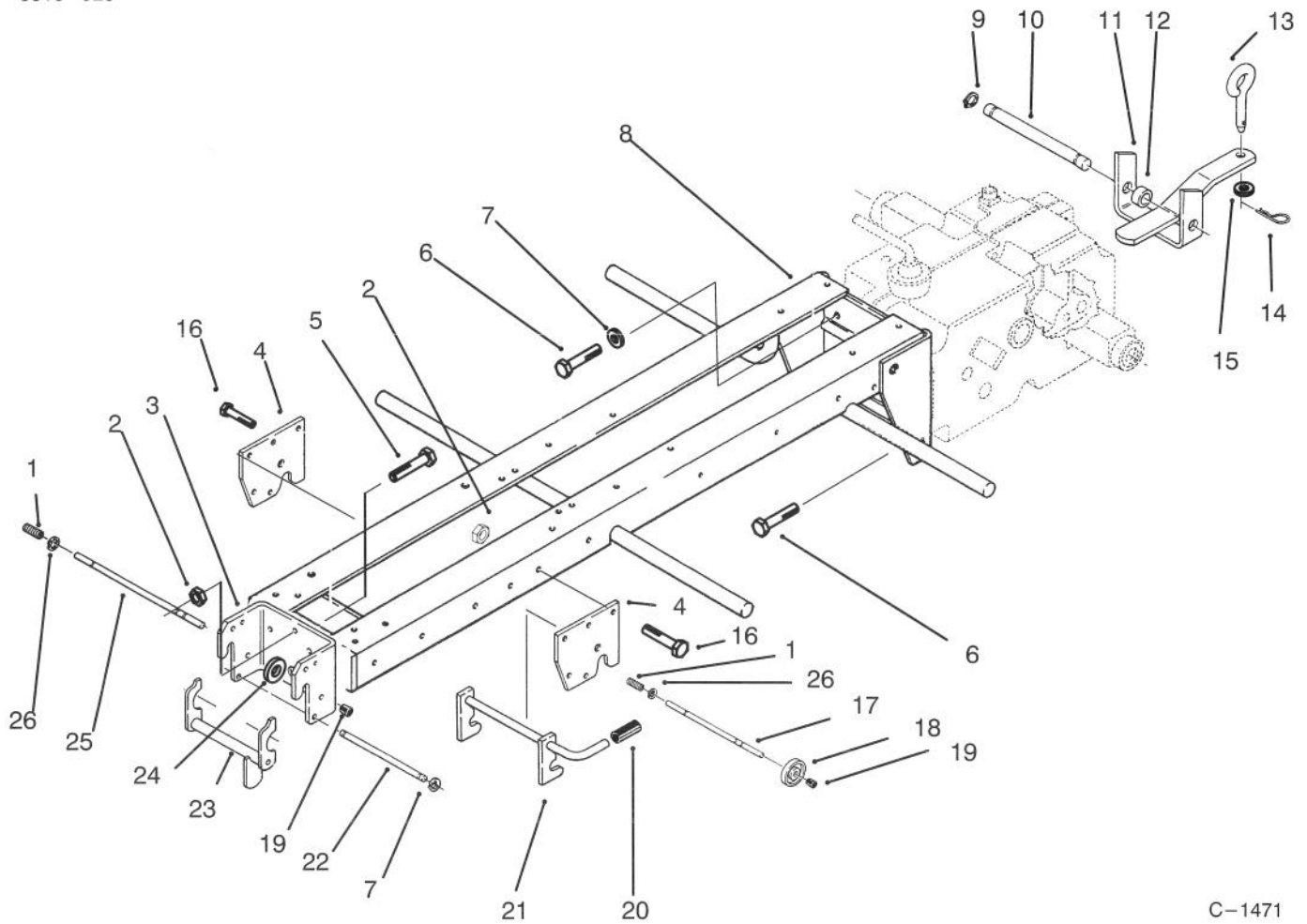


# FRONT AXLE AND STEERING

| Ref. No. | Part No.  | Description                        | No. Used |
|----------|-----------|------------------------------------|----------|
| 1        | 1278      | Washer – Shim                      | 3        |
| 2        | 32120-93  | Ring – Retaining                   | 2        |
| 3        | 102592    | Tie Rod Asm, RH                    | 1        |
| 4        | 3296-39   | Nut – Lock                         | 4        |
| 5        | 6472      | Bearing – Flanged                  | 1        |
| 6        | 323-6     | Bolt                               | 2        |
| 7        | 78-2880   | Shaft – Lower                      | 1        |
| 8        | 88-2710   | Support – Steering Shaft           | 1        |
| 9        | 92-4987   | Shaft – Upper                      | 1        |
| 10       | 237-69    | "O"Ring                            | 1        |
| 11       | 5210      | Washer – Shim                      | A/R      |
| 12       | 76-1420   | Steering Wheel<br>(Incl. Ref. #13) | 1        |
| 13       | 78-0370   | Insert                             | 1        |
| 14       | 32121-111 | Pin – Spirol                       | 1        |
| 15       | 7896      | Washer – Bowed                     | 1        |
| 16       | 109262    | Washer – Special                   | 2        |
| 17       | 113443    | Tube – Steering                    | 1        |
| 18       | 3272-21   | Pin – Cotter                       | 1        |

| Ref. No. | Part No. | Description                                    | No. Used |
|----------|----------|--|----------|
| 19       | 323-8    | Bolt   | 2        |
| 20       | 32136-5  | Nut – Slotted                                  | 1        |
| 21       | 6397     | Bearing  | 1        |
| 22       | 1481     | Fitting – Grease, 45°                          | 2        |
| 23       | 3272-19  | Pin – Cotter                                   | 1        |
| 24       | 3296-6   | Nut  | 4        |
| 25       | 78-2920  | Tie Rod End                                    | 1        |
| 26       | 3219-3   | Nut  | 1        |
| 27       | 78-2900  | Tie Rod Assembly, LH<br>(Incl. Ref. # 25 & 26) | 1        |
| 28       | 322-1    | Bolt   | 1        |
| 29       | 3253-4   | Washer – Lock                                  | 1        |
| 30       | 6216     | Pin & Plate                                    | 1        |
| 31       | 5638     | Axle   | 1        |
| 32       | 5618     | Ring – Retaining                               | 1        |
| 33       | 113381   | Spindle – LH                                   | 1        |
| *        | 113382   | Spindle – RH                                   | 1        |
| 34       | 302-5    | Fitting – Grease, Straight                     | 2        |
| 35       | 109189   | Bearing  | 1        |

\*Not Illustrated

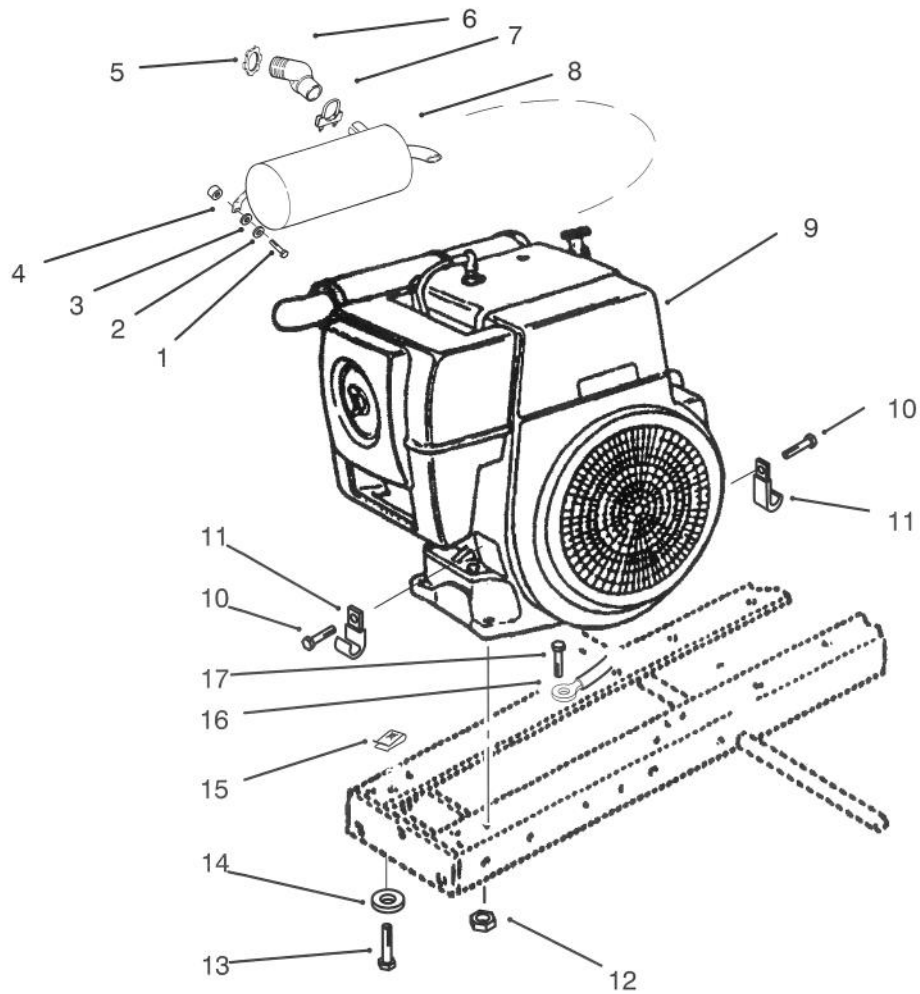


C-1471

### FRAME & HITCHES

| Ref. No. | Part No. | Description           | No. Used |
|----------|----------|-----------------------|----------|
| 1        | 8616     | Spring                | 2        |
| 2        | 3296-39  | Nut                   | 9        |
| 3        | 101711   | Housing - Front Hitch | 1        |
| 4        | 102644   | Plate - Mid Hitch     | 2        |
| 5        | 3231-25  | Bolt - Carriage       | 3        |
| 6        | 323-5    | Bolt                  | 4        |
| 7        | 3253-21  | Washer - Lock         | 4        |
| 8        | 78-2680  | Frame                 | 1        |
| 9        | 5618     | Ring - Retaining      | 2        |
| 10       | 105269   | Shaft - Drawbar Hitch | 1        |
| 11       | 1644     | Hitch - Drawbar       | 1        |
| 12       | 979120   | Spacer                | 2        |
| 13       | 106634   | Pin - Hitch           | 1        |

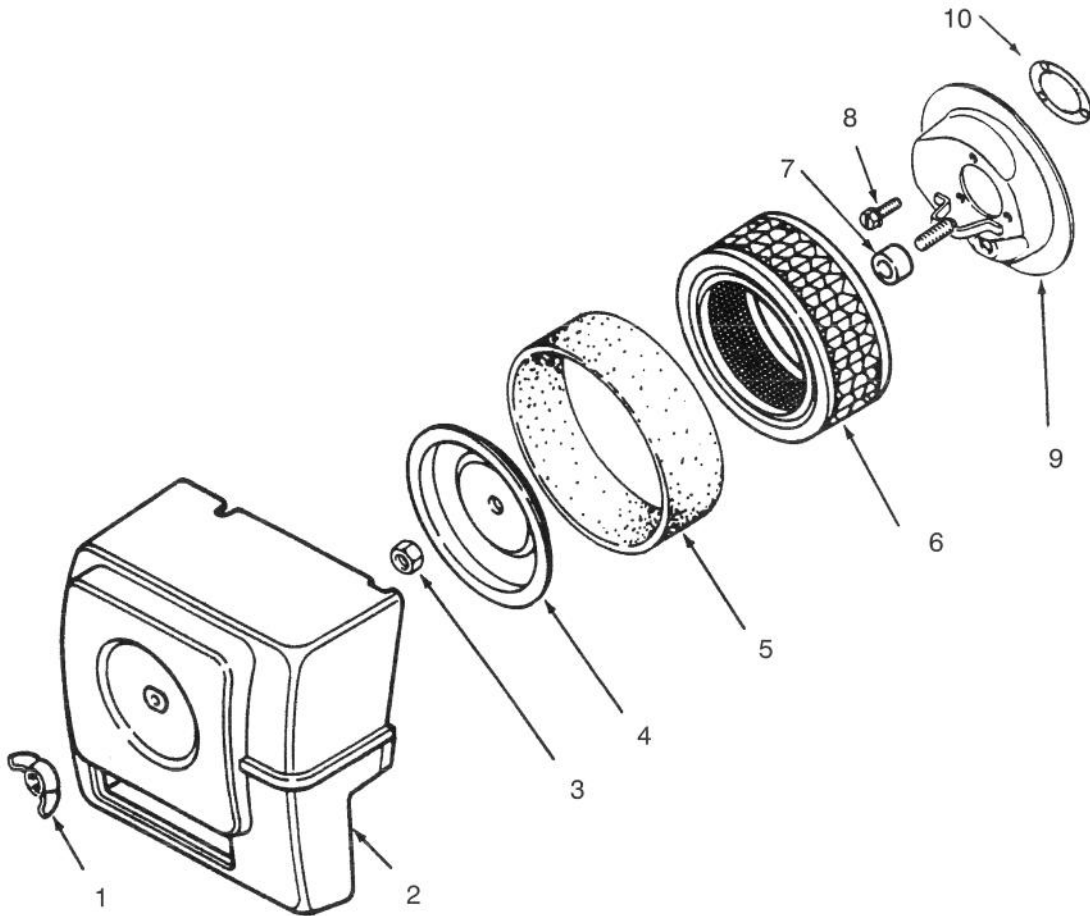
| Ref. No. | Part No. | Description          | No. Used |
|----------|----------|----------------------|----------|
| 14       | 933505   | Pin - Cotter         | 1        |
| 15       | 3256-26  | Washer - Flat        | 1        |
| 16       | 323-44   | Screw - Hex. Hd.     | 6        |
| 17       | 101017   | Rod - Mid Hitch Lock | 1        |
| 18       | 83-6520  | Rod - Lock           | 1        |
| 19       | 105316   | Cap - Lock Rod       | 2        |
| 20       | 9038     | Grip                 | 1        |
| 21       | 117930   | Latch - Mid Hitch    | 1        |
| 22       | 101750   | Rod - Pivot Latch    | 1        |
| 23       | 93-1613  | Latch - Front Hitch  | 1        |
| 24       | 101707   | Lock - Attachment    | 1        |
| 25       | 101751   | Rod - Lock           | 1        |
| 26       | 105797   | Ring - Retaining     | 6        |



C-1481

## KOHLER ENGINE & MUFFLER

| Ref. No. | Part No. | Description          | No. Used | Ref. No. | Part No. | Description        | No. Used |
|----------|----------|----------------------|----------|----------|----------|--------------------|----------|
| 1        | 322-7    | Bolt                 | 1        | 10       |          | Screw (Engine) Ref |          |
| 2        | 3253-4   | Washer               | 1        | 11       | 8830     | "J"Clip            | 1        |
| 3        | 3256-23  | Washer               | 1        | 12       | 3296-39  | Nut                | 2        |
| 4        | 6876     | Spacer               | 1        | 13       | 323-6    | Bolt               | 2        |
| 5        | KH10535  | Nut - Lock           | 1        | 14       | 3253-21  | Washer - Lock      | 1        |
| 6        | KH10278  | Elbow                | 1        | 15       | 3023     | Clip - Wire        | 1        |
| 7        | 106858   | Clamp                | 1        | 16       | 109910   | Wire - Ground      | 1        |
| 8        | 112213   | Muffler              | 1        | 17       | 323-8    | Bolt               | 2        |
| 9        | 92-1532  | Engine - 14HP Kohler | 1        |          |          |                    |          |



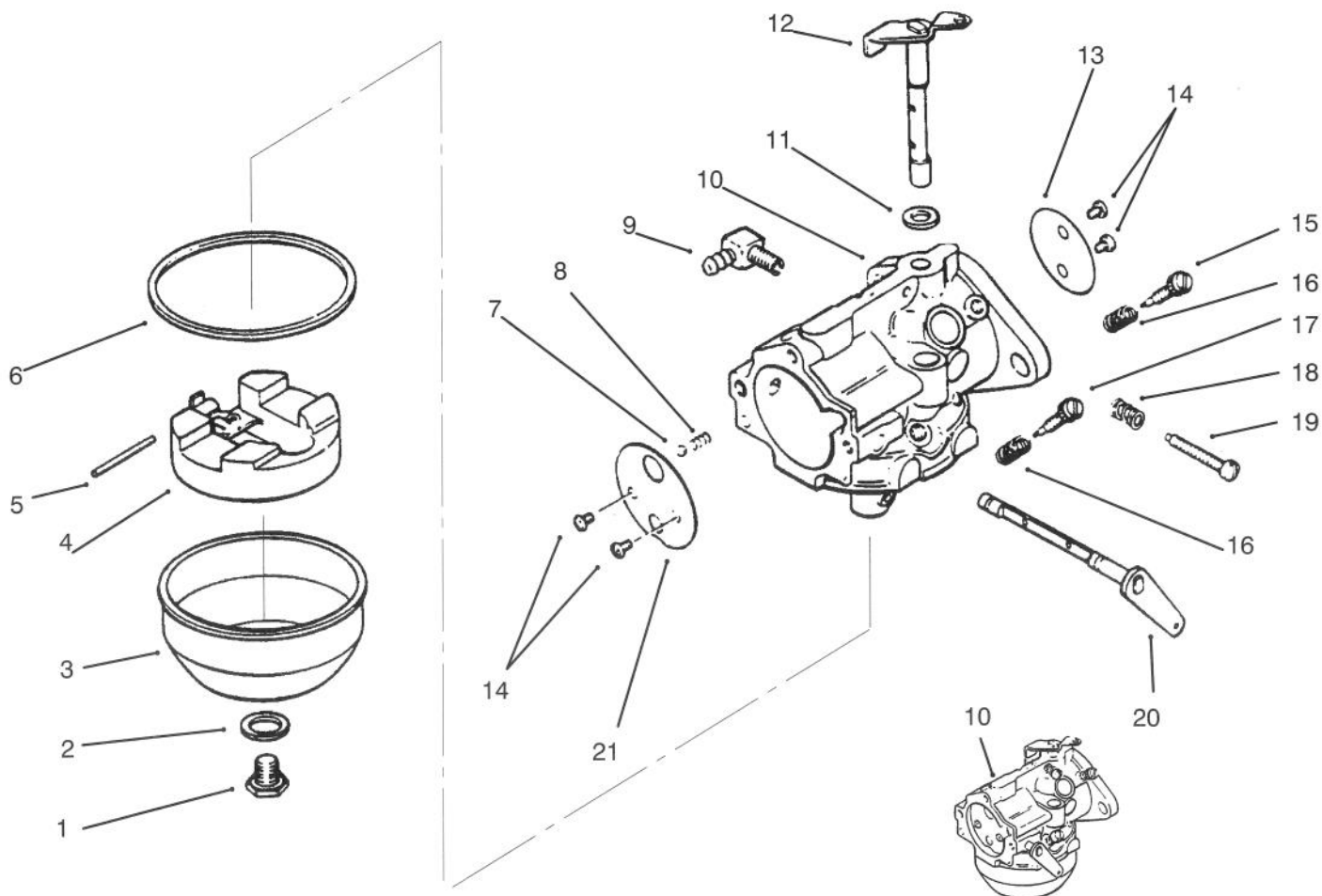
C-1482

### AIR INTAKE

| Ref. No. | Part No. | Description                 | No. Used |
|----------|----------|-----------------------------|----------|
| 1        | KH10576  | Nut – Wing                  | 1        |
| 2        | KH10299  | Cover                       | 1        |
| 3        | KH10189  | Nut                         | 1        |
| 4        | KH10412  | Cover – Air Cleaner Element | 1        |
| 5        | KH10235  | Element – Precleaner        | 1        |
| 6        | KH10236  | Element                     | 1        |

| Ref. No. | Part No. | Description         | No. Used |
|----------|----------|---------------------|----------|
| 7        | KH10034  | Seal                | 1        |
| 8        | KH10609  | Screw               | 3        |
| 9        | KH10297  | Base – Air Cleaner  | 1        |
| 10       | KH10697  | Gasket              | 1        |
| *        | KH10191  | Decal – Air Cleaner | 1        |

\*Not Illustrated

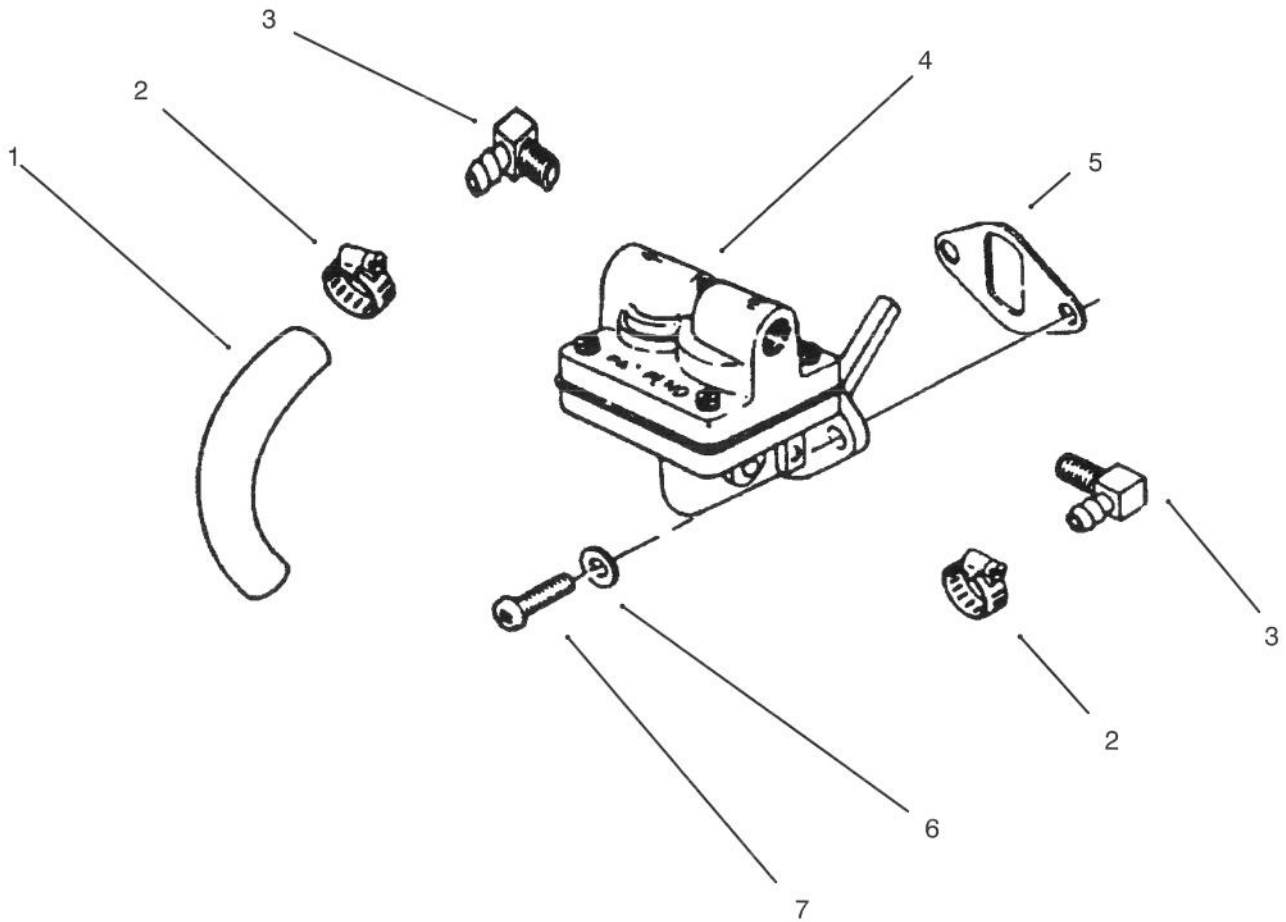


## CARBURETOR

| Ref. No. | Part No. | Description                          | No. Used |
|----------|----------|--------------------------------------|----------|
| 1        | KH10116  | Screw                                | 1        |
| 2        | KH10093  | Gasket                               | 1        |
| 3        | KH10117  | Bowl - Fuel                          | 1        |
| 4        | KH10663  | Kit - Float (Incl. Ref.#5)           | 1        |
| 5        |          | Pin - Float                          | 1        |
| 6        | KH10094  | Gasket                               | 1        |
| 7        | KH10128  | Ball                                 | 1        |
| 8        | KH10113  | Spring                               | 1        |
| 9        |          | Connector 90°                        | 1        |
| 10       | 92-7252  | Carburetor Assembly (Complete)       | 1        |
| 11       |          | Seal                                 | 1        |
| 12       | 92-7256  | Shaft w/Lever & Seal (Incl. Ref# 11) | 1        |
| 13       | 92-7257  | Plate - Throttle                     | 1        |
| 14       | KH10110  | Screw                                | 4        |
| 15       | KH10132  | Needle - Idle Fuel Adj.              | 1        |
| 16       | KH10112  | Spring - Idle Fuel                   | 1        |
| 17       | KH10694  | Main - Needle                        | 1        |
| 18       | KH10114  | Spring - Adj.                        | 1        |
| 19       | KH10109  | Screw - Idle Speed Adj.              | 1        |
| 20       | KH10702  | Shaft - Choke                        | 1        |
| 21       | 92-7255  | Plate - Choke                        | 1        |
| *        | KH10696  | Kit - Carburetor Repair (Includes    |          |
|          | KH10009  | Gasket - Flange                      |          |

| Ref. No. | Part No. | Description                              | No. Used |
|----------|----------|--|----------|
|          | KH10146  | Gasket - Carburetor                      |          |
|          | KH10733  | Gasket                                   |          |
|          | KH10093  | Gasket - Bowl Screen                     |          |
|          | KH10094  | Gasket - Bowl                            |          |
|          | KH10677  | Gasket - Air Cleaner                     |          |
|          | KH10697  | Gasket                                   |          |
|          | KH10274  | Gasket - Carburetor                      |          |
| *        | KH10358  | Kit - Choke & Throttle Repair            | 1        |
| *        | KH10710  | Kit - High Altitude Jet (Includes        |          |
|          | KH10682  | Bushing                                  |          |
|          | KH10709  | Jet - Main                               |          |
| *        | 92-7251  | Kit - Carburetor w/Linkage (Includes     | 1        |
|          | KH10682  | Bushing &                                |          |
|          | KH10709  | Main Jet                                 |          |
| *        | KH10693  | Kit - Adjustable Jet w/Linkage (Includes | 1        |
|          | KH10701  | Carburetor Linkage                       |          |
|          | KH10682  | Bushing - Linkage Natural                |          |
|          | KH10686  | Bushing Linkage Black                    |          |
|          | KH10697  | Gasket - Air Cleaner                     |          |
|          | KH10693  | Carburetor Assembly                      |          |
|          | KH10146  | Gasket                                   |          |
|          | KH10274  | Gasket                                   | 1        |

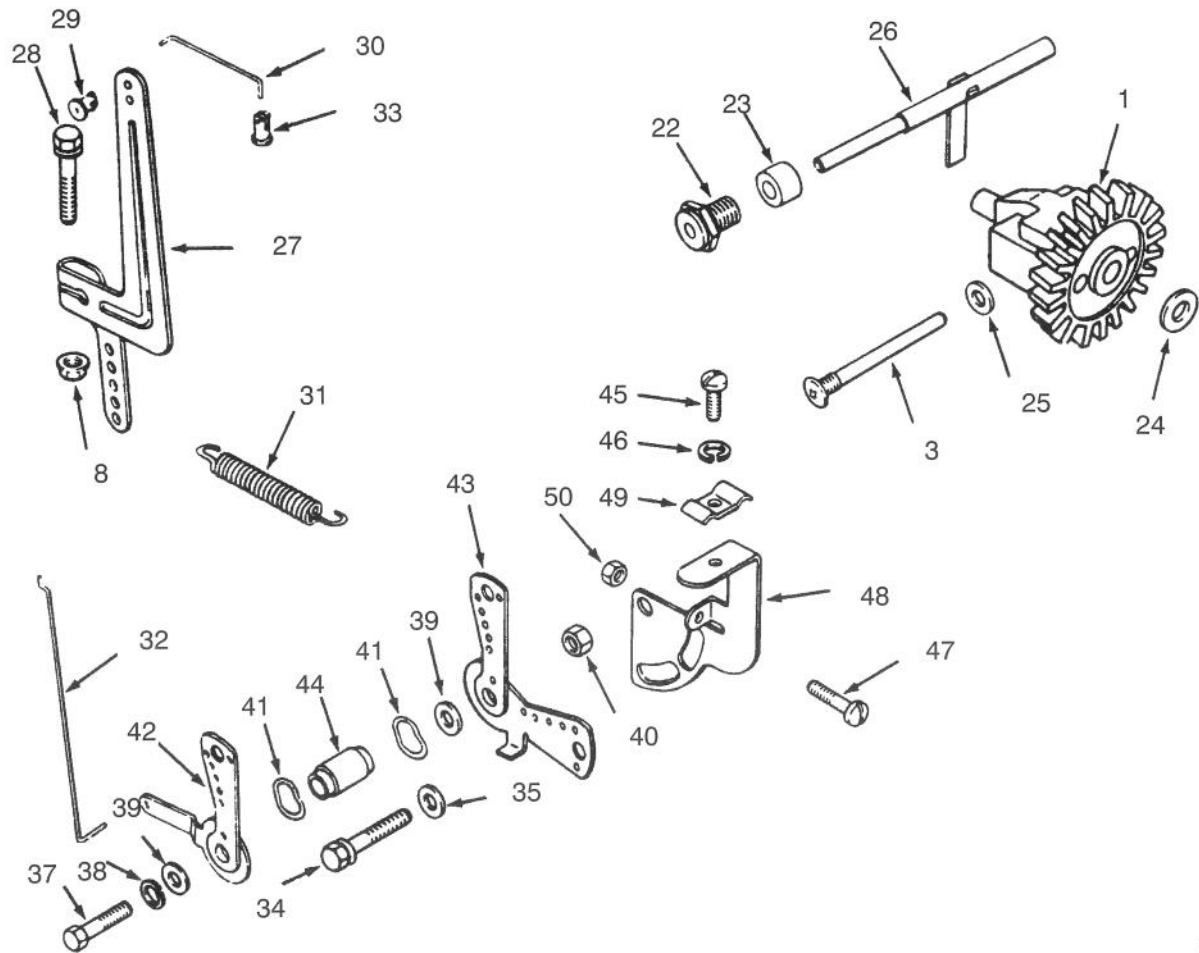
\*Not Illustrated



### FUEL PUMP

| Ref. No. | Part No. | Description                            | No. Used |
|----------|----------|--|----------|
| 1        | KH10130  | Line - Fuel                            | 1        |
| 2        | KH10586  | Clamp                                  | 2        |
| 3        | KH10123  | Connector - 90°                        | 2        |
| 4        | KH10319  | Pump Assy - Fuel<br>(Incl. Ref.#5 &7 ) | 1        |

| Ref. No. | Part No. | Description       | No. Used |
|----------|----------|-------------------|----------|
| 5        | KH10095  | Gasket            | 1        |
| 6        | KH10569  | Washer            | 2        |
| 7        | KH10552  | Screw - Pozidrive | 2        |

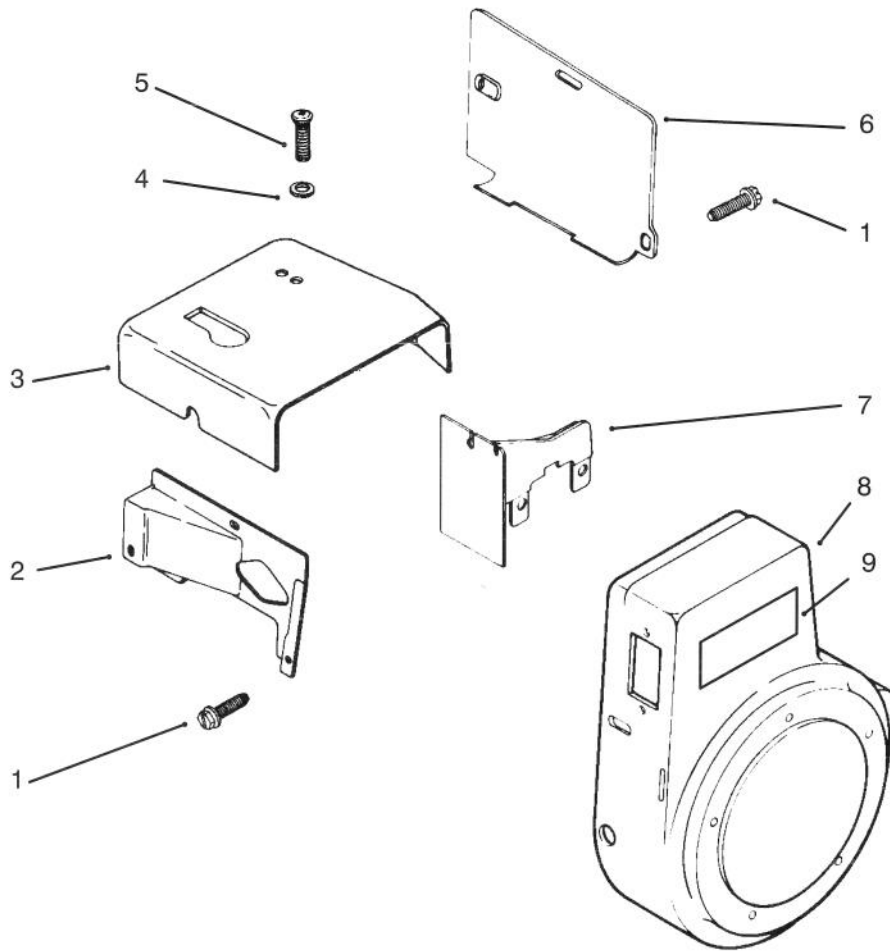


C-1492

## GOVERNOR LINKAGE

| Ref. No. | Part No. | Description                               | No. Used |
|----------|----------|---|----------|
| 1        | KH10660  | Kit – Governor Gear<br>(Includes 24)      | 1        |
| 3        | KH10035  | Pin – Governor Stop                       | 1        |
| 8        | KH10629  | Nut – Pal                                 | 1        |
| 22       | KH10070  | Bushing                                   | 1        |
| 23       | KH10585  | Spacer                                    | 1        |
| 24       | KH10087  | Washer                                    | 1        |
| 25       | KH10136  | Washer                                    | 1        |
| 26       | 92-7262  | Kit – Governor Cross Shaft                | 1        |
| 27       | KH10295  | Lever – Governor                          | 1        |
| 28       | KH10626  | Screw                                     | 1        |
| 29       | 92-7254  | Bushing                                   | 1        |
| 30       | KH10701  | Linkage (Governor to Carb.)               | 1        |
| 31       | KH10296  | Spring (Governor to Carb.)                | 1        |
| 32       | KH10287  | Linkage – Choke (Carb. to<br>Choke Shaft) | 1        |
| 33       | 92-7253  | Bushing                                   | 1        |
| 34       | KH10545  | Screw                                     | 1        |

| Ref. No. | Part No. | Description                                      | No. Used |
|----------|----------|--|----------|
| 35       | KH10570  | Washer   | 1        |
| 37       | KH10600  | Screw  | 1        |
| 38       | KH10556  | Washer – Lock                                    | 1        |
| 39       | KH10569  | Washer   | 1        |
| 40       | KH10624  | Nut  | 1        |
| 41       | KH10152  | Washer   | 2        |
| 42       | KH10293  | Lever – Choke Control                            | 1        |
| 43       | KH10294  | Lever – Throttle Control                         | 1        |
| 44       | KH10302  | Space  | 1        |
| 45       | KH10605  | Screw  | 1        |
| 46       | KH10695  | Washer   | 1        |
| 47       | KH10040  | Screw  | 1        |
| 48       | KH10303  | Bracket – Clutch Control                         | 1        |
| 49       | KH10308  | Clamp  | 1        |
| 50       | KH10619  | Nut  | 1        |
| *        | 92-7263  | Choke Lever Assembly<br>(Incl. Ref. #37 thru 44) | 1        |



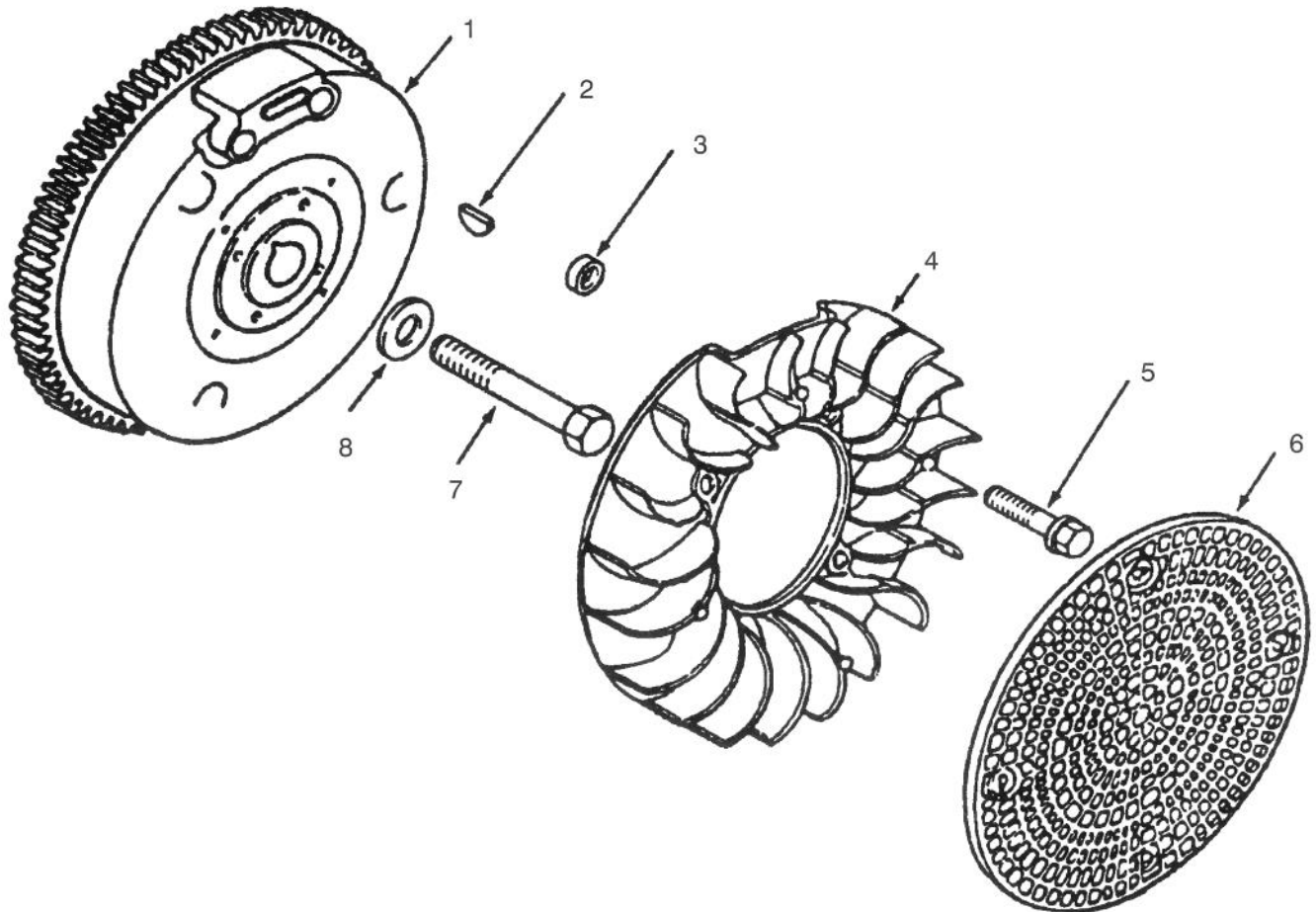
C-1559

## BAFFLES AND SHROUDS

| Ref. No. | Part No. | Description            | No. Used |
|----------|----------|------------------------|----------|
| 1        | KH10413  | Screw - Hex .Hd.       | 6        |
| 2        | KH10279  | Baffle - Side Air      | 1        |
| 3        | KH10231  | Baffle - Head          | 1        |
| 4        | KH10567  | Washer                 | 1        |
| 5        | KH10289  | Screw - Pozidrive T.H. | 3        |

| Ref. No. | Part No. | Description       | No. Used |
|----------|----------|-------------------|----------|
| 6        | KH10282  | Baffle - Cylinder | 1        |
| 7        | KH10280  | Baffle - Inner    | 1        |
| 8        | KH10265  | Housing - Blower  | 1        |
| 9        | 92-7281  | Decal - HP        | 1        |

\*Not Illustrated

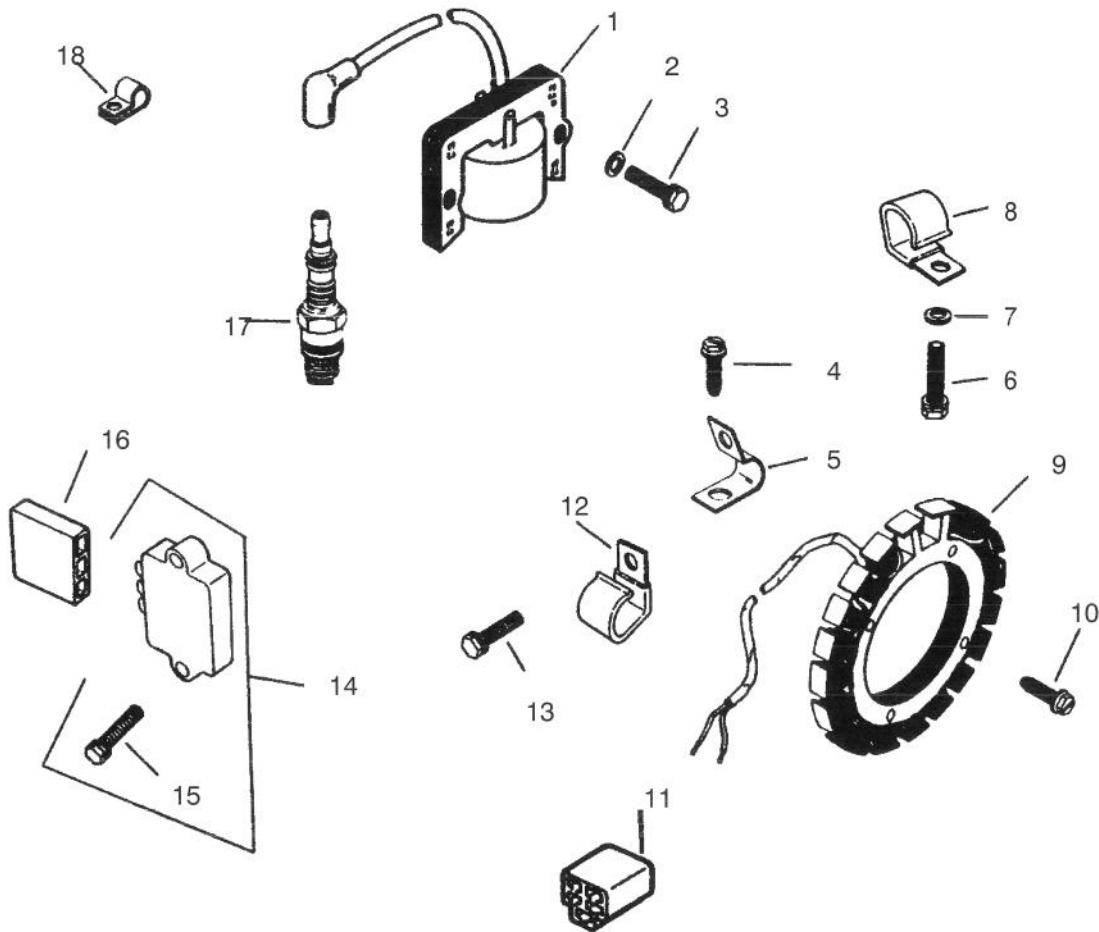


C-1491

## FLYWHEEL

| Ref. No. | Part No. | Description    | No. Used |
|----------|----------|----------------|----------|
| 1        | KH10263  | Flywheel       | 1        |
| 2        | KH10588  | Key - Woodruff | 1        |
| 3        | KH10188  | Spacer         | 4        |
| 4        | KH10124  | Fan            | 1        |

| Ref. No. | Part No. | Description      | No. Used |
|----------|----------|------------------|----------|
| 5        | KH10107  | Screw - Hex. Hd. | 4        |
| 6        | KH10126  | Screen           | 1        |
| 7        | KH10108  | Screw            | 1        |
| 8        | KH10666  | Washer           | 1        |

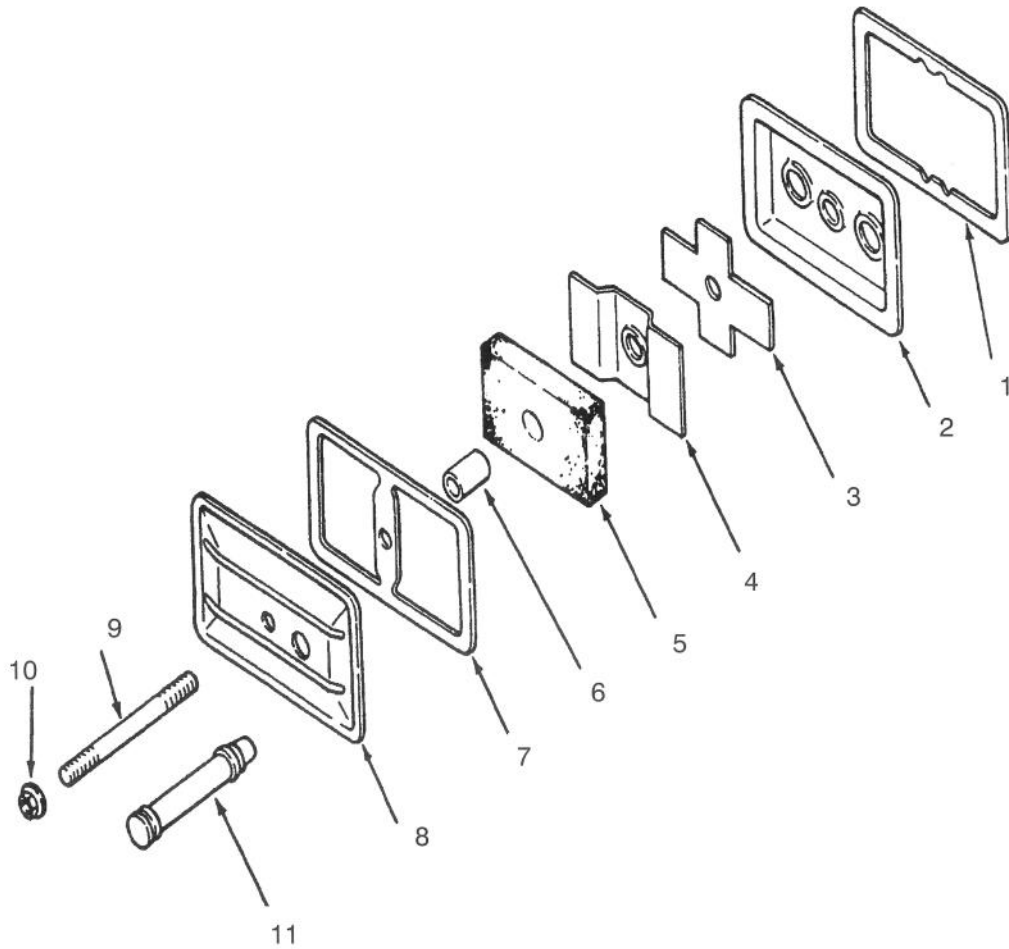


C-1493

### IGNITION SYSTEM

| Ref. No. | Part No. | Description                          | No. Used |
|----------|----------|--------------------------------------|----------|
| 1        | KH10321  | Module – Ignition                    | 1        |
| 2        | KH10570  | Washer                               | 2        |
| 3        | KH10548  | Screw                                | 2        |
| 4        | KH10606  | Screw – Hex. Hd.                     | 1        |
| 5        | KH10618  | Clip                                 | 1        |
| 6        | KH10610  | Screw                                | 1        |
| 7        | KH10570  | Washer – Flat                        | 1        |
| 8        | 92-7264  | Clip                                 | 1        |
| 9        | KH10091  | Kit – Stator 15 am<br>(Incl. Ref.#8) | 1        |
| 10       | KH10605  | Screw – Pozidrive                    | 4        |
| 11       | KH10345  | Connector                            | 1        |

| Ref. No. | Part No. | Description   | No. Used |
|----------|----------|---|----------|
| 12       | 8830     | Clip  | 1        |
| 13       | 321-2    | Screw   | 1        |
| 14       | KH10673  | Regulator – Rectifier                                     | 2        |
| 15       | 92-7266  | Screw   | 2        |
| 16       | KH10082  | Connector   | 1        |
| 17       | 92-7265  | Plug – Spark  | 1        |
| 18       | KH10010  | Clip – Hi-Tension   | 1        |
| *        | KH10313  | Lead – Violet, Regulator-<br>Rectifier to Connector (23") | 1        |
| *        | KH10315  | Lead – Wire, Module<br>to Connector                       | 1        |

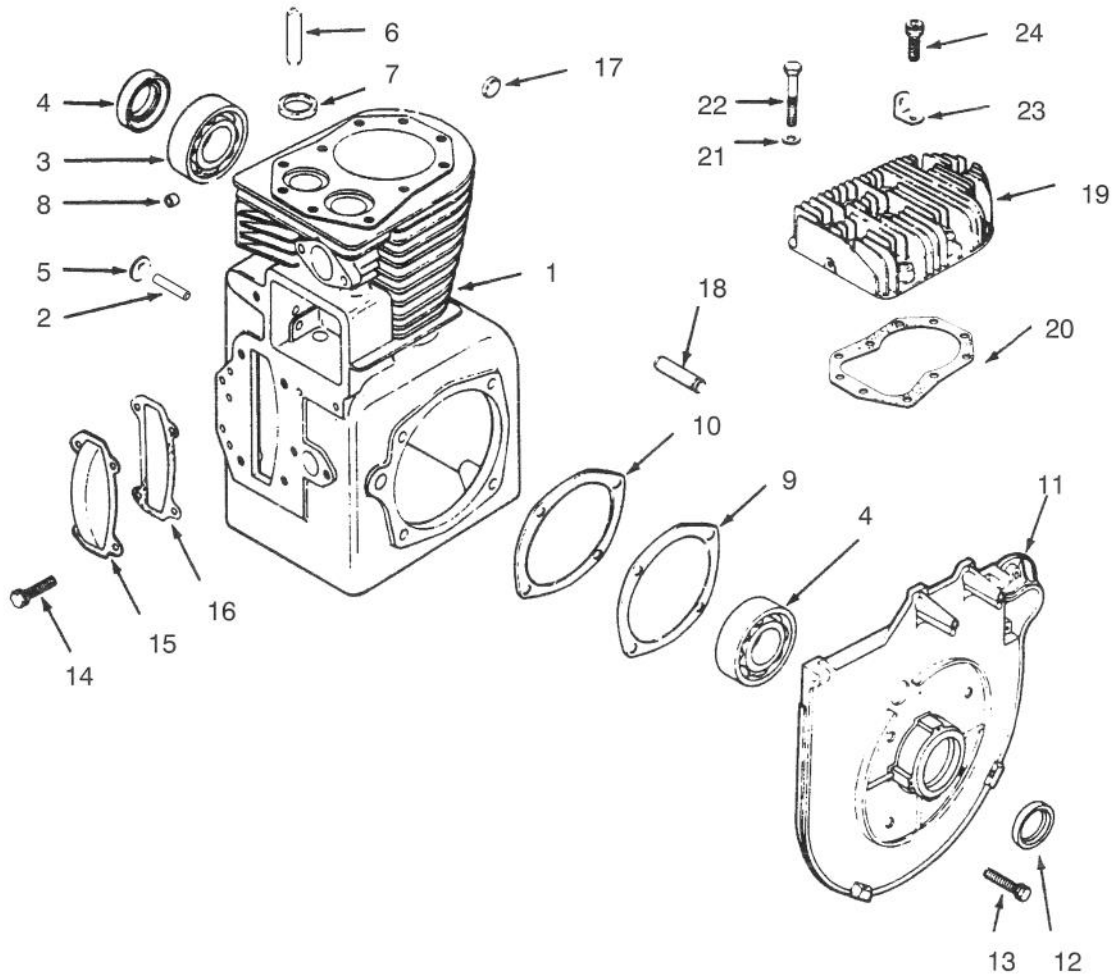


C-1485

### BREATHER AND VENT

| Ref. No. | Part No. | Description | No. Used |
|----------|----------|-------------|----------|
| 1        | KH10058  | Gasket      | 1        |
| 2        | KH10072  | Plate       | 1        |
| 3        | KH10057  | Reed        | 1        |
| 4        | KH10143  | Baffle      | 1        |
| 5        | KH10275  | Filter      | 1        |
| 6        | KH10034  | Seal        | 1        |

| Ref. No. | Part No. | Description | No. Used |
|----------|----------|-------------|----------|
| 7        | KH10149  | Gasket      | 1        |
| 8        | KH10298  | Cover       | 1        |
| 9        | KH10150  | Stud        | 1        |
| 10       | KH10629  | Palnut      | 1        |
| 11       | KH10309  | Hose        | 1        |

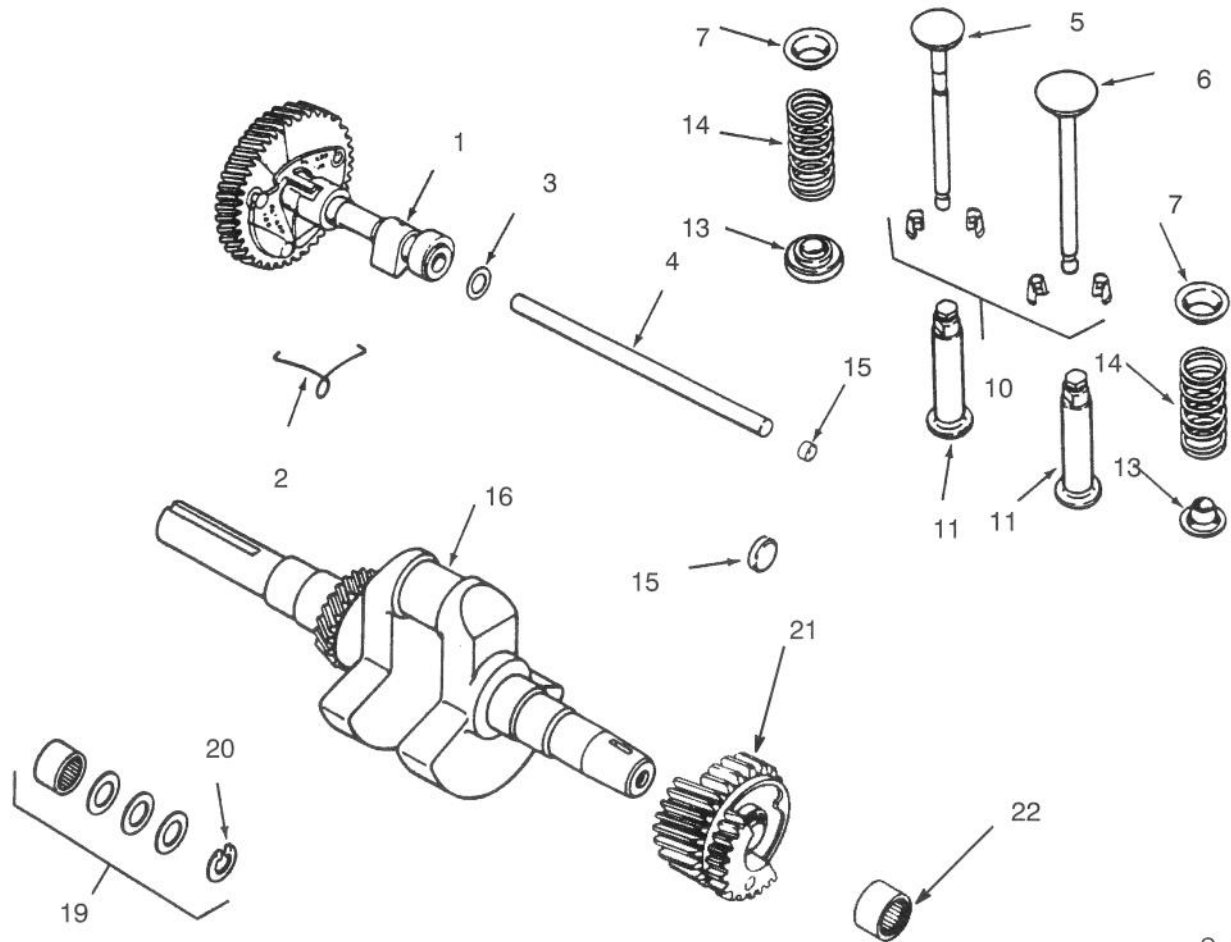


C-1561

## CRANKCASE AND CYLINDER HEAD

| Ref. No. | Part No. | Description                          | No. Used |
|----------|----------|--------------------------------------|----------|
| 1        | 92-7279  | Short Block<br>(Includes Crankshaft) | 1        |
|          | 92-7280  | Miniblock (w/Out Crankshaft)         | 1        |
| 2        | 92-7258  | Shaft - Governor Gear                | 1        |
| 3        | KH10067  | Ball Bearing                         | 2        |
| 4        | KH10269  | Seal                                 | 1        |
| 5        | KH10562  | Plug                                 | 1        |
| 6        | 92-7259  | Guide - Valve                        | 2        |
| 7        | KH10029  | Insert - Exhaust Valve               | 1        |
| 8        | KH10049  | Bearing                              | 1        |
| 9        | KH10272  | Gasket                               | 1        |
| 10       | KH10311  | Gasket                               | 1        |
| 11       | KH10687  | Plate - Bearing                      | 1        |
| 12       | KH10268  | Seal                                 | 1        |

| Ref. No. | Part No. | Description            | No. Used |
|----------|----------|------------------------|----------|
| 13       | KH10549  | Screw                  | 4        |
| 14       | KH10545  | Screw                  | 4        |
| 15       | KH10661  | Cover                  | 1        |
| 16       | KH10055  | Gasket                 | 1        |
| 18       | KH10081  | Shaft - Balance Gear   | 1        |
| 19       | KH10261  | Head - Cylinder        | 1        |
| 20       | KH10700  | Gasket                 | 1        |
| 21       | KH10145  | Washer                 | 9        |
| 22       | KH10144  | Screw                  | 8        |
| 23       | KH10312  | Strap - Lifting        | 1        |
| 24       | KH10290  | Screw                  | 1        |
| *        | KH10325  | Set - Gasket w/ Seals  | 1        |
| *        | KH10258  | Set - Gasket w/o Seals | 1        |

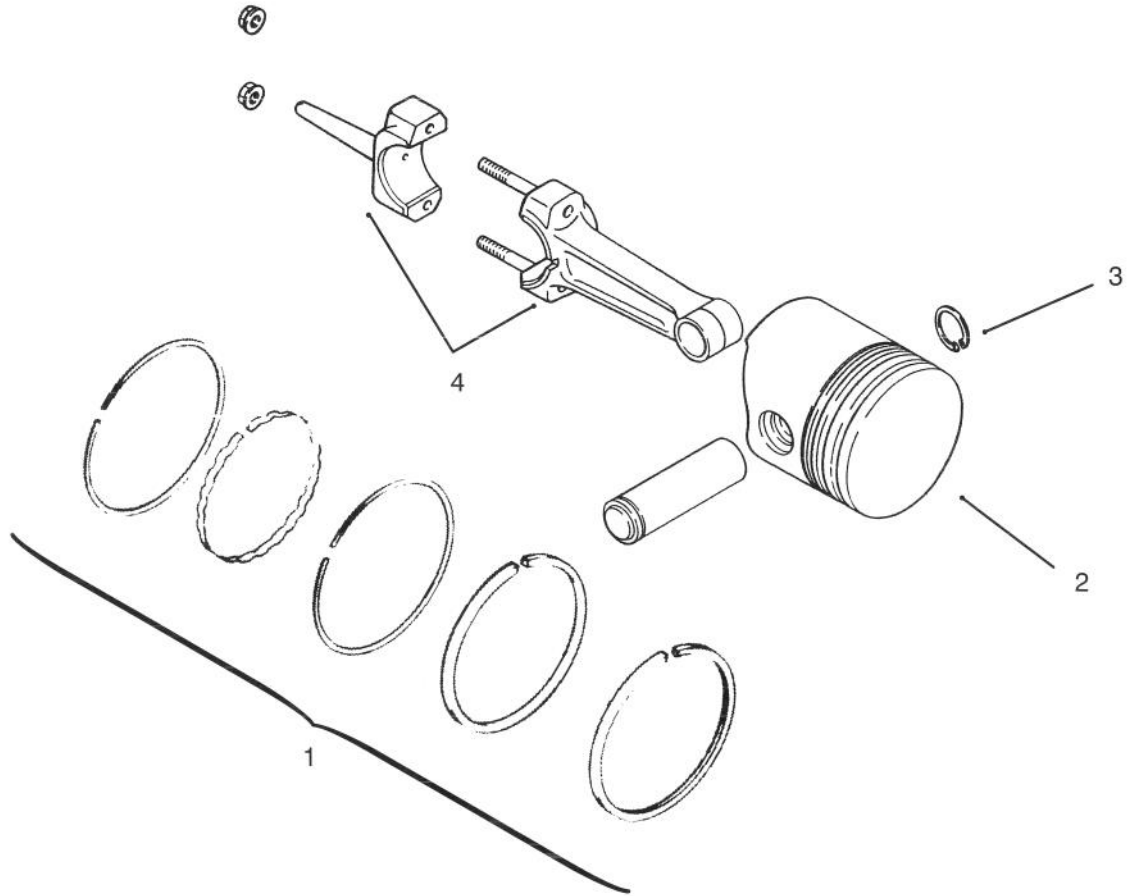


C-1560

## CAMSHAFT, CRANKSHAFT AND VALVES

| Ref. No. | Part No. | Description                      | No. Used |
|----------|----------|----------------------------------|----------|
| 1        | KH10259  | Camshaft Assy<br>(Incl. Ref.# 2) | 1        |
| 2        | KH10292  | Spring                           | 1        |
| 3        | KH10147  | Spacer .005                      | 1        |
| *        | KH10148  | Spacer .010                      | 1        |
| 4        | KH10310  | Pin - Camshaft                   | 1        |
| 5        | KH10090  | Valve - Exhaust                  | 1        |
| 6        | KH10071  | Valve - Intake                   | 1        |
| 7        | KH10054  | Retainer - Upper Spring          | 2        |
| 10       | KH10221  | Kit - Retainer                   | 2        |
| 11       | KH10539  | Tappet - Intake Valve            | 2        |

| Ref. No. | Part No. | Description                                  | No. Used |
|----------|----------|--|----------|
| 13       | KH10496  | Rotator - Valve                              | 2        |
| 14       | KH10062  | Spring                                       | 2        |
| 15       | KH10617  | Plug - Cup                                   | 1        |
| 16       | KH10245  | Kit - Crankshaft<br>(Includes Flywheel Hdw.) | 1        |
| 19       | KH10322  | Kit - Spacer (Incl. Ref.#20)                 | 2        |
| 20       | KH10574  | Retainer                                     | 1        |
| 21       | KH10228  | Gear Assembly<br>(Incl. Ref. #22)            | 2        |
| 22       | KH10267  | Bearing - Needle                             | 2        |

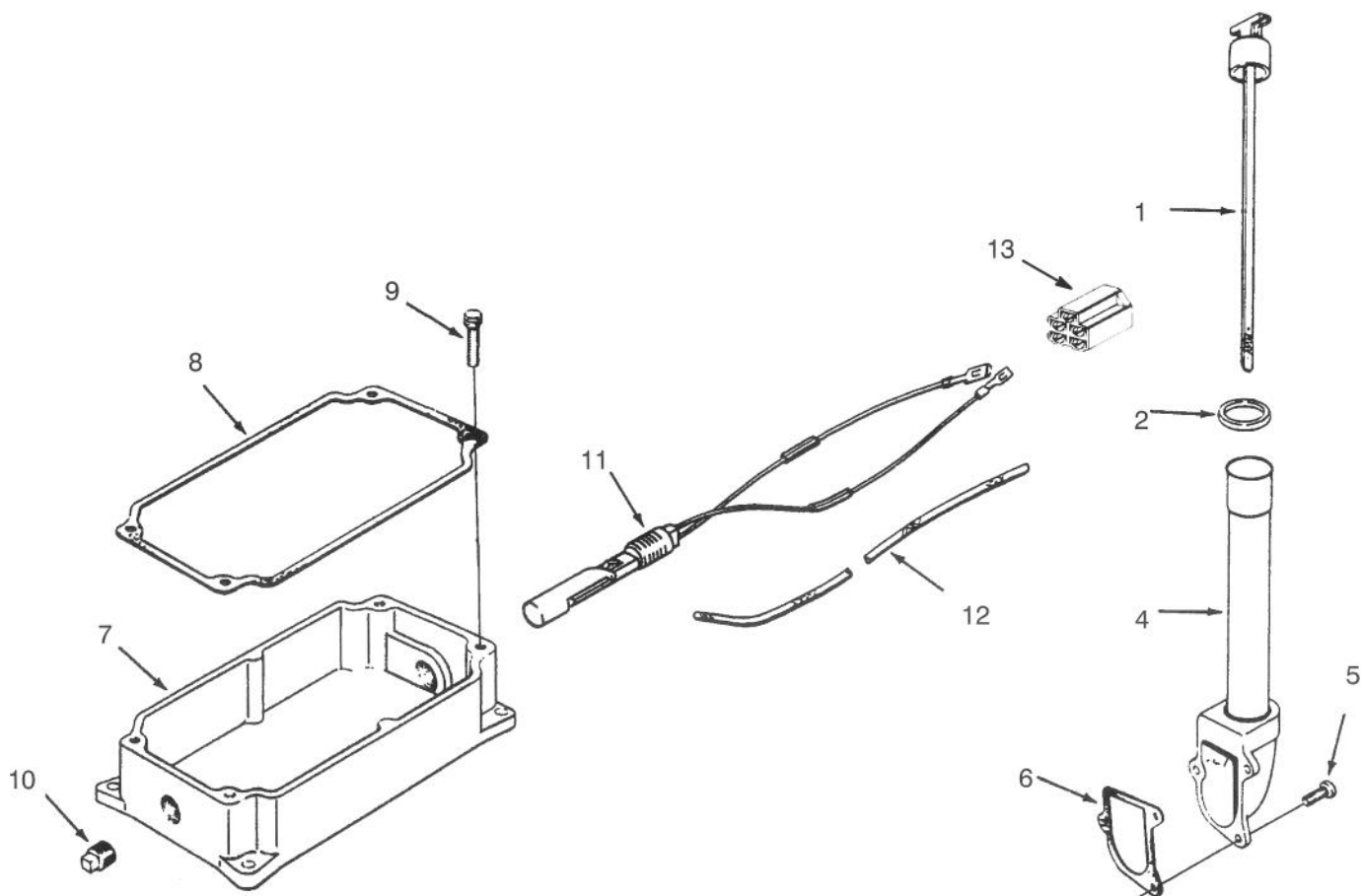


C-1563

### PISTON AND RINGS

| Ref. No. | Part No. | Description             | No. Used |
|----------|----------|-------------------------|----------|
| 1        | 92-7273  | Set - Ring, Std. & .003 | 1        |
| *        | 92-7274  | Set - Ring .010         | 1        |
| *        | 92-7275  | Set - Ring .020         | 1        |
| *        | 92-7276  | Set - Ring .030         | 1        |
| 2        | 92-7268  | Piston w/Ring Set Std.  | 1        |
| *        | 92-7269  | Piston w/Ring Set .003  | 1        |

| Ref. No. | Part No. | Description            | No. Used |
|----------|----------|------------------------|----------|
| *        | 92-7270  | Piston w/Ring Set .010 | 1        |
| *        | 92-7271  | Piston w/Ring Set .020 | 1        |
| *        | 92-7272  | Piston w/Ring Set .030 | 1        |
| 3        | KH10262  | Retainer - Piston Pin  | 2        |
| 4        | 92-7267  | Rod - Connecting Std.  | 1        |
| *        | KH10695  | Rod - Connecting .010  | 1        |

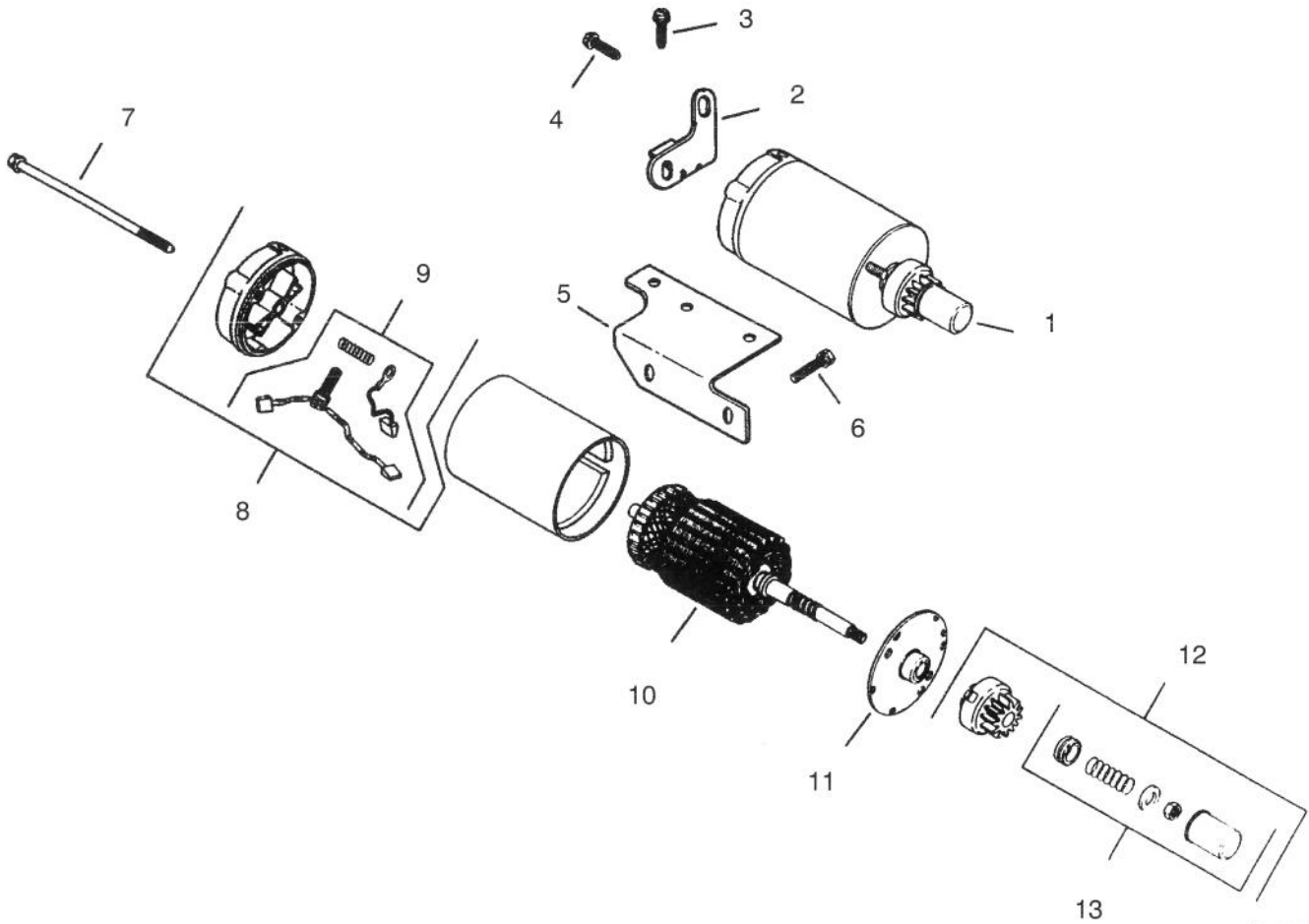


C-1562

## OIL PAN AND DIPSTICK

| Ref. No. | Part No. | Description        | No. Used |
|----------|----------|--------------------|----------|
| 1        | KH10270  | Dipstick           | 1        |
| 2        | KH10201  | "O"Ring            | 1        |
| 4        | KH10266  | Adapter - Oil Fill | 1        |
| 5        | KH10541  | Screw              | 3        |
| 6        | KH10088  | Gasket             | 1        |
| 7        | KH10248  | Pan - Oil          | 1        |
| 8        | KH10059  | Gasket             | 1        |
| 9        | KH10550  | Screw              | 4        |

| Ref. No. | Part No. | Description                                   | No. Used |
|----------|----------|---|----------|
| 10       | KH10620  | Plug  | 4        |
| 11       | 92-7278  | Kit - Float Switch<br>(Incl. Ref.#12 & Decal) | 1        |
| 12       | KH10134  | Sleeve  | 1        |
| 13       | KH10345  | Connector - Female<br>(5-Contact)             | 1        |
| *        | KH10119  | Decal - Float Switch                          | 1        |

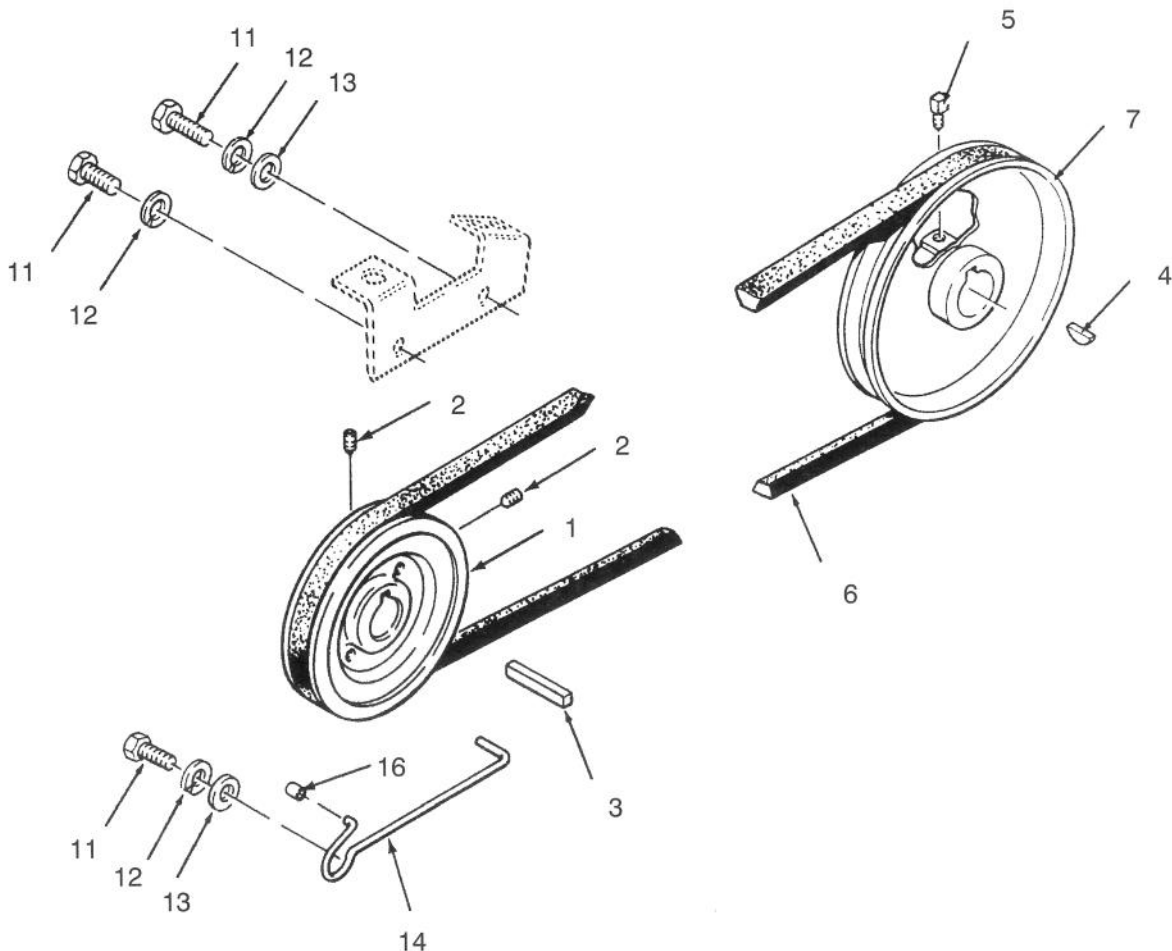


C-1490

## STARTER

| Ref. No. | Part No. | Description                                 | No. Used |
|----------|----------|---|----------|
| 1        | 92-72-60 | Starter Assembly (Includes Items 9 thru 15) | 1        |
| 2        | KH10244  | Brace - Starter Tail                        | 1        |
| 3        | KH10607  | Screw - Hex. Hd.                            | 1        |
| 4        | KH10610  | Screw - Hex. Hd.                            | 1        |
| 5        | KH10304  | Bracket - Starter                           | 1        |
| 6        | KH10549  | Screw                                       | 2        |
| 7        | KH10181  | Bolt  | 2        |
| 8        | KH10210  | End Cap Ass'Y (Incl. Ref.#9)                | 1        |

| Ref. No. | Part No. | Description                  | No. Used |
|----------|----------|------------------------------|----------|
| 9        | KH10515  | Kit - Brush                  | 1        |
| 10       | KH10247  | Armature                     | 1        |
| 11       | KH10209  | Cap - Drive End              | 1        |
| 12       | KH10323  | Kit - Drive (Incl. Ref. #15) | 1        |
| 13       | KH10324  | Kit - Drive Parts            | 1        |
| *        | KH10135  | Tag - Caution                | 1        |
| *        | KH10304  | Bracket - Solenoid           | 1        |
| *        | KH10549  | Screw                        | 1        |



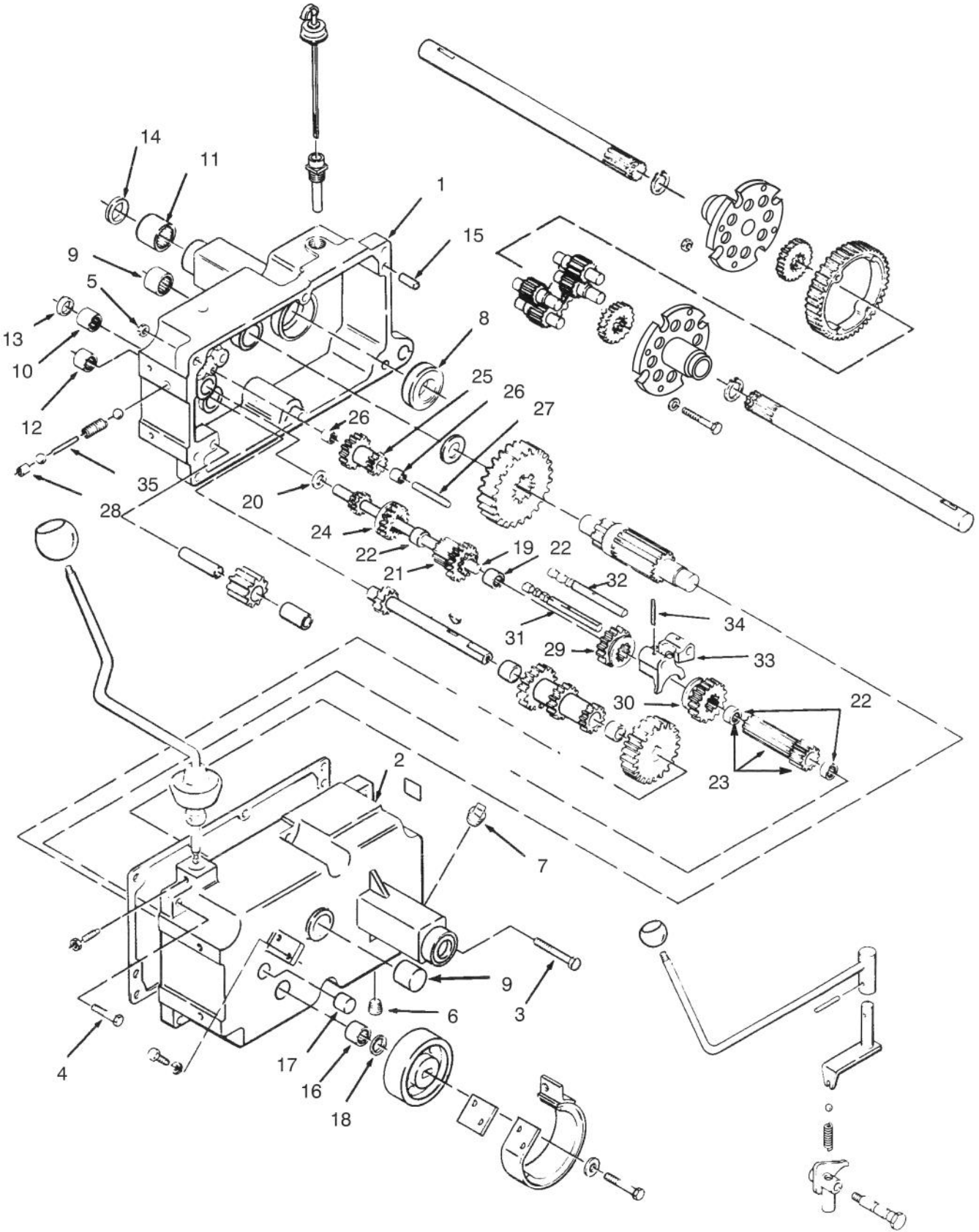
C-1472

### DRIVE BELT AND PULLEYS

| Ref. No. | Part No. | Description           | No. Used |
|----------|----------|-----------------------|----------|
| 1        | 7466     | Pulley - Engine Drive | 1        |
| 2        | 3246-2   | Screw - Set           | 2        |
| 3        | 105453   | Key                   | 1        |
| 4        | 937221   | Key - Hi-Pro          | 1        |
| 5        | 3242-2   | Screw - Set           | 2        |
| 6        | 7473     | Belt - Drive          | 1        |

| Ref. No. | Part No. | Description                 | No. Used |
|----------|----------|-----------------------------|----------|
| 7        | 106165   | Pulley - Transmission Drive | 1        |
| 11       | 324-5    | Bolt                        | 3        |
| 12       | 3253-6   | Washer - Lock               | 3        |
| 13       | 3256-25  | Washer                      | 3        |
| 14       | 111242   | Guide - Belt, Bottom        | 1        |
| 16       | 112841   | Cap                         | 1        |

# TRANSMISSION 8-SPEED



# TRANSMISSION 8-SPEED

| Ref. No. | Part No. | Description            | No. Used |
|----------|----------|------------------------|----------|
| *        | 92-8708  | Transmission Assembly  | 1        |
| 1        | 111200   | Case-Transmission, RH  | 1        |
| 2        | 111198   | Case-Transmission, LH  | 1        |
| 3        | 323-16   | Screw - Hex. Hd.       | 1        |
| 4        | 323-11   | Screw - Hex. Hd.       | 5        |
| 5        | 3296-39  | Nut                    | 6        |
| 6        | 281-10   | Plug - Pipe, Allen Hd. | 1        |
| 7        | 281-2    | Plug - Pipe, Sq. Hd.   | 1        |
| 8        | 111199   | Bearing - Ball         | 2        |
| 9        | 1532     | Bearing - Needle       | 2        |
| 10       | 1542     | Bearing - Needle       | 1        |
| 11       | 9416     | Bearing - Needle       | 2        |
| 12       | 1529     | Bearing - Needle       | 1        |
| 13       | 100442   | Seal - Input Shaft     | 1        |
| 14       | 100443   | Seal - Axle            | 4        |
| 15       | 3915     | Pin - Locating         | 2        |
| 16       | 1523     | Bearing - Needle       | 1        |
| 17       | 83-2890  | Bearing - Needle       | 1        |
| 18       | 100441   | Seal - Brake Shaft     | 1        |

| Ref. No. | Part No. | Description                        | No. Used |
|----------|----------|------------------------------------|----------|
| 19       | 7201     | Shaft - Input                      | 1        |
| 20       | 7418     | Washer - Thrust                    | 1        |
| 21       | 7204     | Gear Assembly<br>(Incl. Ref. #22)  | 1        |
| 22       | 1518     | Bearing - Needle                   | 2        |
| 23       | 5175     | Gear Assembly<br>(Incl. Ref. # 22) | 1        |
| 24       | 7205     | Gear - Sliding                     | 1        |
| 25       | 7206     | Gear - Reduction                   | 1        |
| 26       | 7207     | Bearing - Needle                   | 2        |
| 27       | 7208     | Shaft - Reduction Gear             | 1        |
| 28       | 1243     | Cup - Plug                         | 1        |
| 29       | 5173     | Gear - Hi & Second                 | 1        |
| 30       | 5174     | Gear Low & Reverse                 | 1        |
| 31       | 5615     | Rail - Shift, Front                | 1        |
| 32       | 5616     | Rail - Shift, Rear                 | 1        |
| 33       | 3503     | Fork - Shift                       | 2        |
| 34       | 933156   | Pin - Spirol                       | 2        |
| 35       | 5614     | Pin - Shift                        | 1        |

\*Not Illustrated

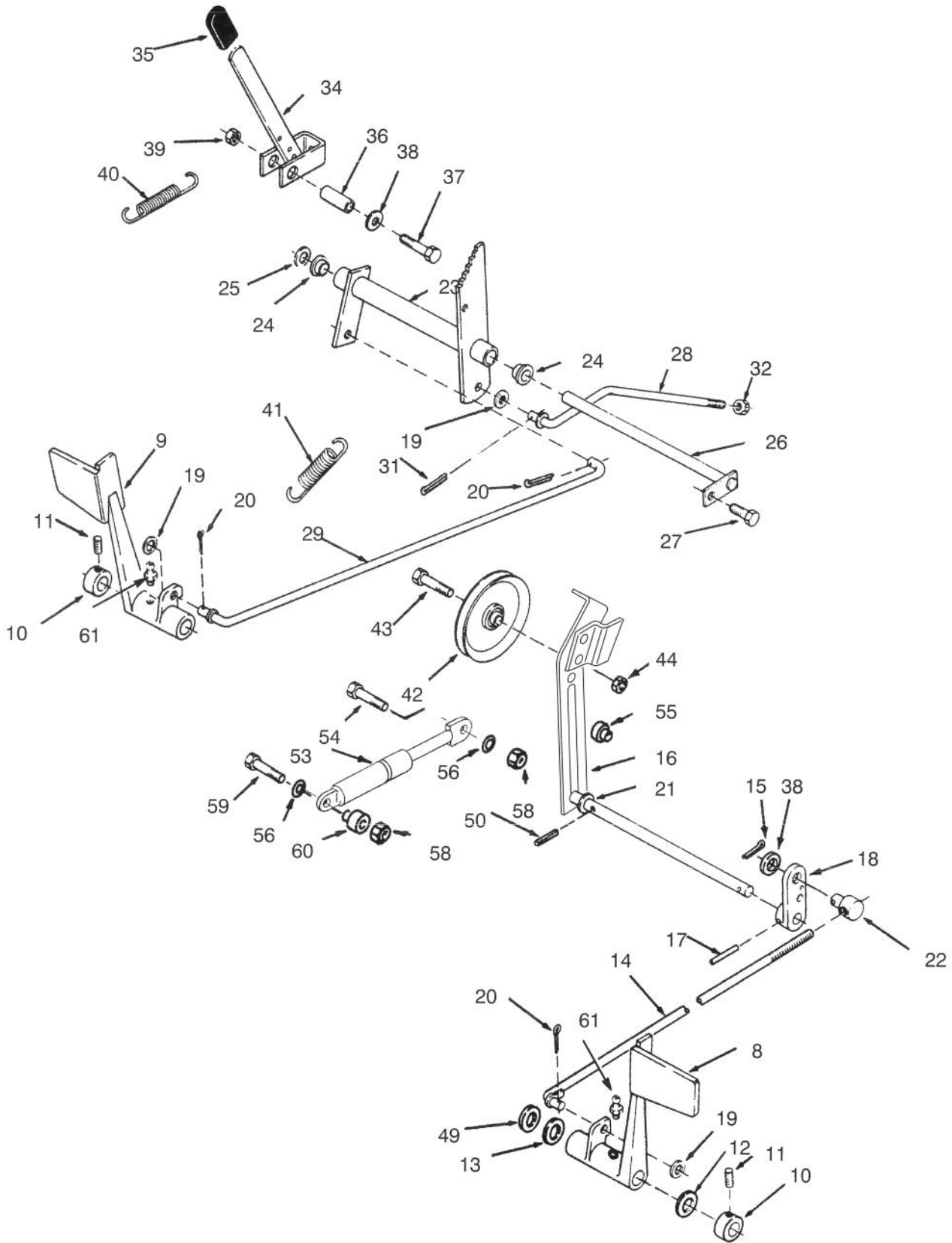


# TRANSMISSION 8-SPEED

| Ref. No. | Part No. | Description                                      | No. Used |
|----------|----------|--|----------|
| 36       | 7269     | Gear Assembly<br>(Incl. Ref.#37)                 | 1        |
| 37       | 1504     | Bushing - Bronze                                 | 2        |
| 38       | 3527     | Gear - Reduction                                 | 1        |
| 39       | 83-3530  | Shaft - Cluster                                  | 1        |
| 40       | 937089   | Key - Woodruff                                   | 1        |
| 41       | 4204     | Gear Assembly, Reverse<br>Idler (Incl. Ref. #43) | 1        |
| 42       | 3909     | Pin - Reverse Idler                              | 1        |
| 43       | 1516     | Bushing - Reverse Idler                          | 1        |
| 44       | 101847   | Dipstick   | 1        |
| 45       | 102703   | Nipple - Transmission Fill                       | 1        |
| 46       | 3912     | Gasket - Transmission                            | 1        |
| 47       | 1239     | Screw - Set - Special                            | 1        |
| 48       | 3217-5   | Nut  | 1        |
| 49       | 3577     | Cover - Dust                                     | 1        |
| 50       | 9547     | Washer - Thrust                                  | 1        |
| 51       | 102974   | Gear Assembly<br>(Incl. Ref.# 52 & 53)           | 1        |
| 52       | 101625   | Shaft - Pinion                                   | 1        |
| 53       | 101626   | Gear 44 Tooth                                    | 1        |
| 54       | 108758   | Knob - Gear Shift                                | 1        |
| 55       | 3517     | Ball - Detent                                    | 3        |
| 56       | 106030   | Spring - Detent                                  | 2        |
| 57       | 7213     | Bolt - Detent                                    | 1        |

| Ref. No. | Part No. | Description                          | No. Used |
|----------|----------|--------------------------------------|----------|
| 58       | 7214     | Lever - Shift Hi-Low Range           | 1        |
| 59       | 116636   | Fork - Shift Hi-Low Range            | 1        |
| 62       | 110727   | Rod - Shift Hi-Low Range             | 1        |
| 63       | 933184   | Pin - Spirol                         | 1        |
| 64       | 111196   | Cap - Diff End                       | 2        |
| 65       | 911423   | Bolt                                 | 4        |
| 66       | 107374   | Washer - Special                     | 4        |
| 67       | 108881   | Nut - Hex                            | 4        |
| 68       | 105061   | Gear - Differential Ring<br>43 Tooth | 1        |
| 70       | 101623   | Gear - Differential Pinion           | 8        |
| 71       | 101889   | Gear - Differential Axle             | 2        |
| 72       | 105875   | Axle - Rear                          | 2        |
| 73       | 105876   | Ring - Special, Snap                 | 2        |
| 74       | 110725   | Stick - Shift                        | 1        |
| 75       | 83-2710  | Knob - Hi-Lo Range Shift             | 1        |
| 76       | 92-8749  | Decal - Unidrive                     | 1        |
| 77       | 106719   | Drum - Brake                         | 1        |
| 78       | 2844     | Washer - Special                     | 1        |
| 79       | 110234   | Screw - Hex. Hd.                     | 1        |
| 80       | 9598     | Plate - Stop                         | 1        |
| 81       | 9593     | Band - Brake                         | 1        |
| 82       | 3253-3   | Washer - Lock                        | 2        |
| 83       | 321 - 3  | Screw - Hex. Hd.                     | 2        |

# CLUTCH, BRAKE AND SPEED CONTROL LINKAGE

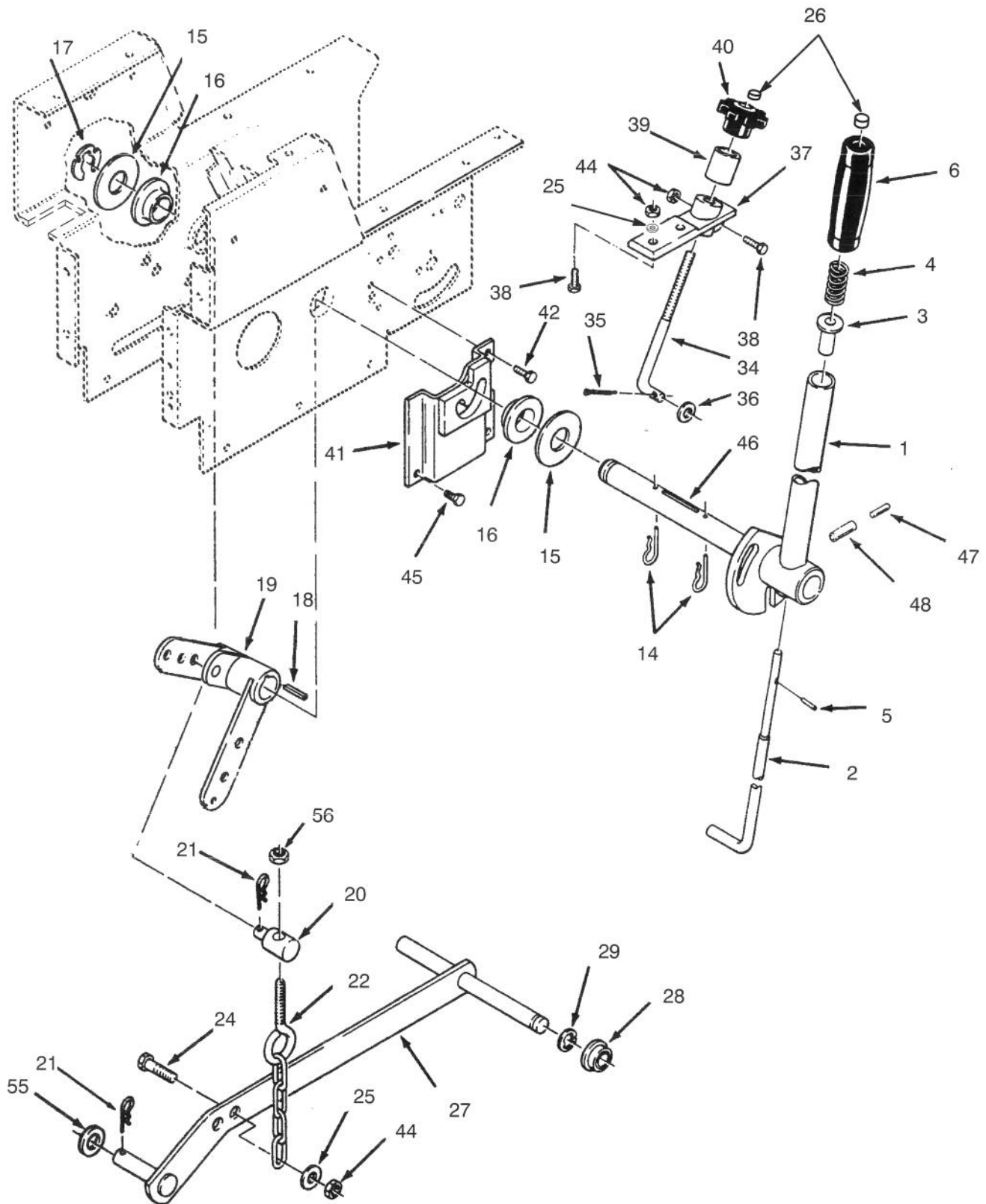


# CLUTCH, BRAKE AND SPEED CONTROL LINKAGE

| Ref. No. | Part No. | Description                | No. Used |
|----------|----------|----------------------------|----------|
| 8        | 114814   | Pedal – Clutch             | 1        |
| 9        | 114813   | Pedal – Brake              | 1        |
| 10       | 111383   | Collar                     | 3        |
| 11       | 3245-32  | Screw – Set                | 3        |
| 12       | 7896     | Washer – Bowed             | 1        |
| 13       | 1278     | Washer – Shim              | 1        |
| 14       | 103347   | Rod – Clutch               | 1        |
| 15       | 3272-6   | Pin – Cotter               | 1        |
| 16       | 78-2970  | Arm – Clutch Idler         | 1        |
| 17       | 933190   | Pin – Spirol               | 1        |
| 18       | 105896   | Arm – Clutch Rod           | 1        |
| 19       | 920248   | Washer – Nylon             | 3        |
| 20       | 3272-10  | Pin – Cotter               | 3        |
| 21       | 3765     | Washer – Shim              | 1        |
| 22       | 101161   | Trunnion – Clutch Rod      | 1        |
| 23       | 103543   | Bell Crank – Brake Linkage | 1        |
| 24       | 7879     | Bushing                    | 2        |
| 25       | 3256-26  | Washer                     | 1        |
| 26       | 106417   | Rod – Bell Crank Pivot     | 1        |
| 27       | 926694   | Screw – Hex. Hd.           | 1        |
| 28       | 105900   | Rod – Brake, Rear          | 1        |
| 29       | 105886   | Rod – Brake, Front         | 1        |
| 31       | 933505   | Pin – Cotter               | 1        |

| Ref. No. | Part No. | Description           | No. Used |
|----------|----------|-----------------------|----------|
| 32       | 3296-39  | Nut                   | 1        |
| 34       | 106451   | Lever – Parking Brake | 1        |
| 35       | 6820     | Grip                  | 1        |
| 36       | 102025   | Spacer                | 1        |
| 37       | 323-9    | Screw Hex. Hd.        | 1        |
| 38       | 3256-24  | Washer                | 2        |
| 39       | 102809   | Nut – Special         | 1        |
| 40       | 107677   | Spring – Brake Return | 1        |
| 41       | 103628   | Spring – Return       | 1        |
| 42       | 7451     | Pulley – Idler        | 1        |
| 43       | 106193   | Bolt – Special        | 1        |
| 44       | 32146-2  | Nut                   | 1        |
| 49       | 920225   | Washer – Special      | 1        |
| 50       | 933267   | Pin – Spirol          | 1        |
| 53       | 78-3240  | Spring – Gas          | 1        |
| 54       | 321-31   | Screw – Hex. Hd.      | 1        |
| 55       | 78-3260  | Spacer                | 1        |
| 56       | 3256-22  | Washer                | 2        |
| 58       | 3296-42  | Nut                   | 2        |
| 59       | 321-9    | Screw – Hex. Hd.      | 1        |
| 60       | 78-3250  | Spacer                | 1        |
| 61       | 302-5    | Fitting – Grease      | 2        |

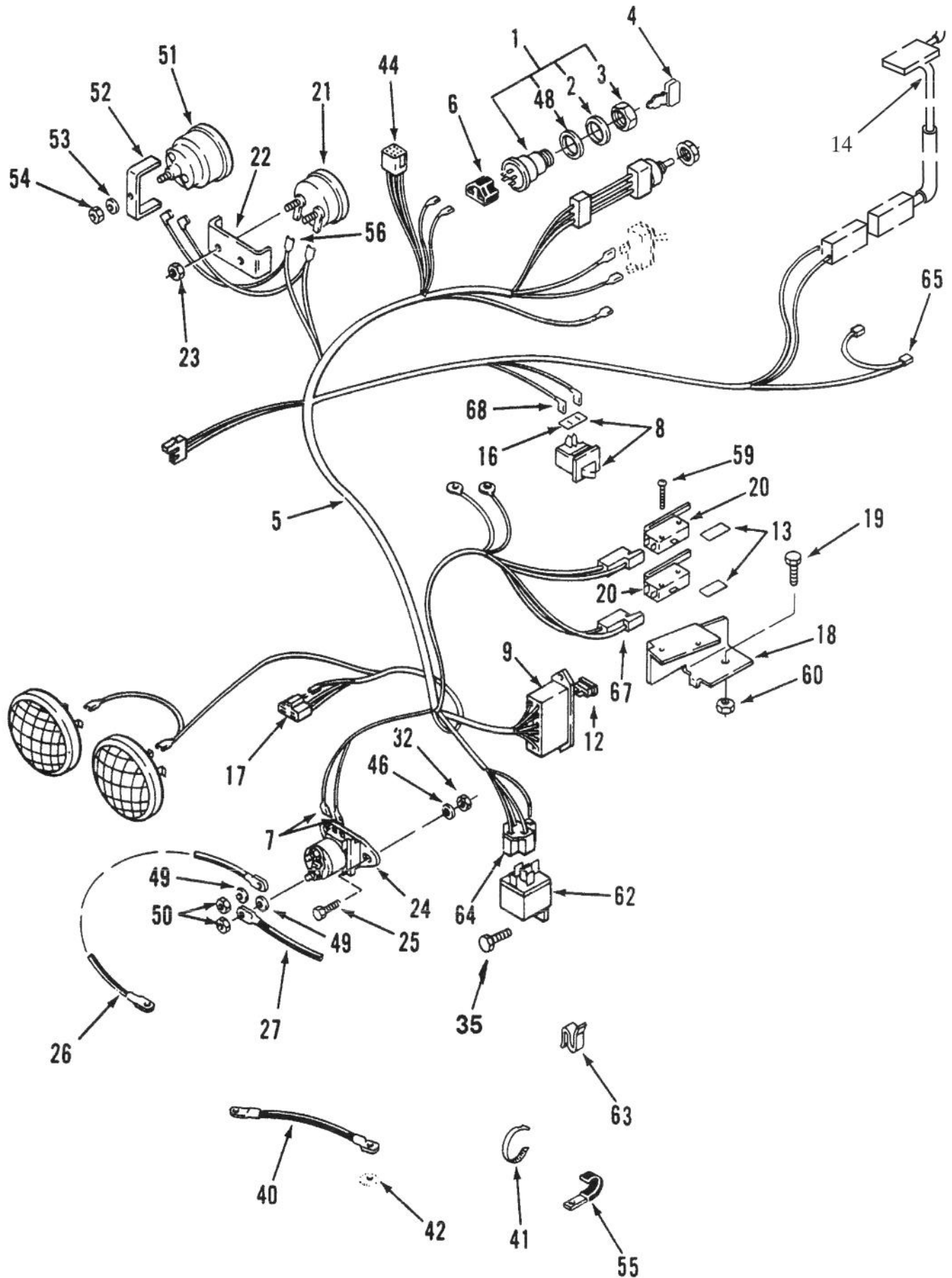
# MANUAL LIFT LINKAGE



# MANUAL LIFT LINKAGE

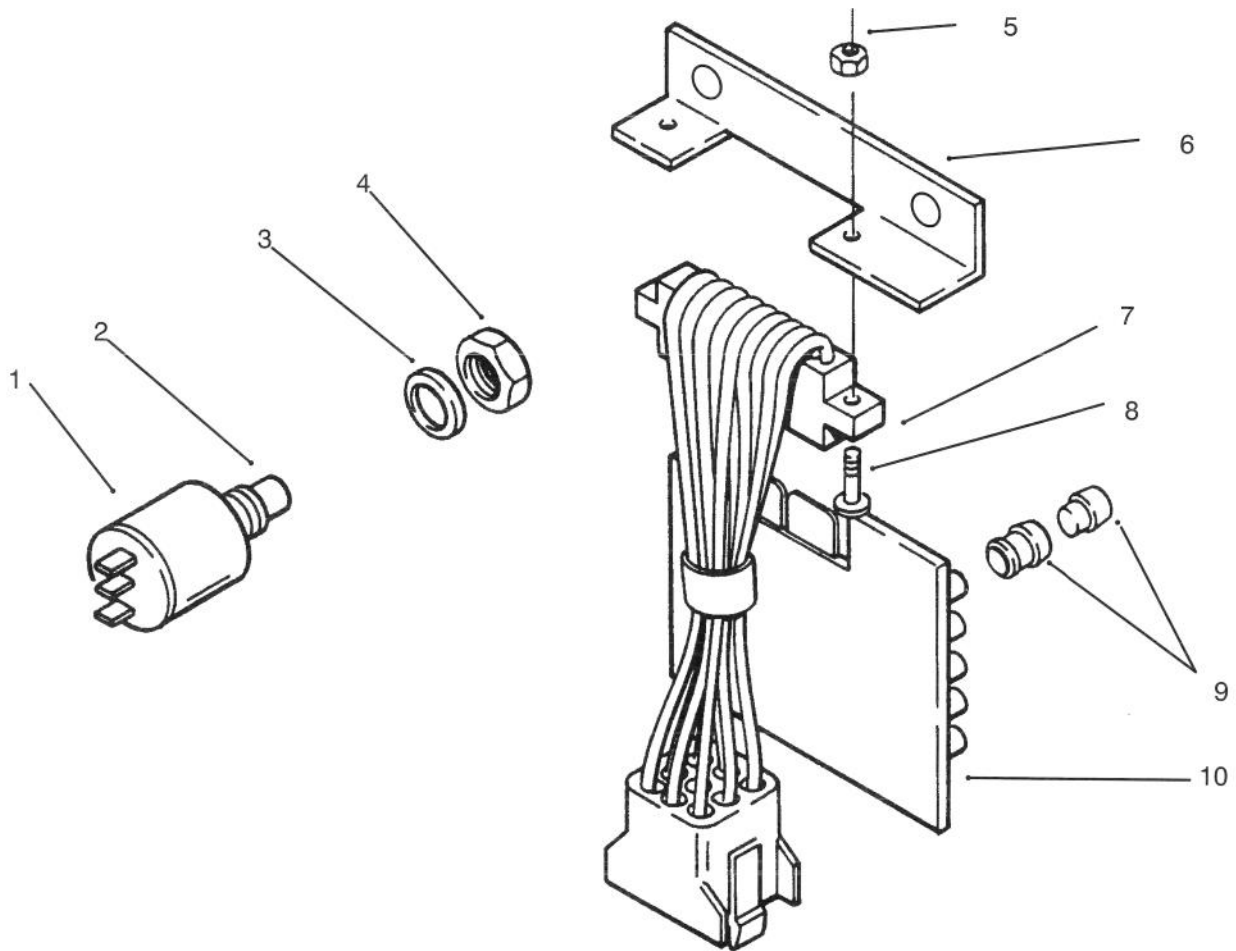
| Ref. No. | Part No. | Description                            | No. Used |
|----------|----------|--|----------|
| 1        | 108563   | Lever – Lift (Incl. Ref.# 46, 47 & 48) | 1        |
| 2        | 106257   | Rod – Latch                            | 1        |
| 3        | 8130     | Retainer – Spring                      | 1        |
| 4        | 3624     | Spring                                 | 1        |
| 5        | 933148   | Pin – Spirol                           | 1        |
| 6        | 6542     | Grip – Lift Lever                      | 1        |
| 14       | 933507   | Pin – Cotter                           | 2        |
| 15       | 3256-62  | Washer                                 | 2        |
| 16       | 106269   | Bushing                                | 2        |
| 17       | 32151-91 | Retainer                               | 1        |
| 18       | 1121     | Key                                    | 1        |
| 19       | 78-1550  | Lever – Lift                           | 1        |
| 20       | 6739     | Trunnion                               | 1        |
| 21       | 933505   | Pin – Cotter                           | 2        |
| 22       | 106522   | Chain – Lift                           | 1        |
| 24       | 322-6    | Screw – Hex. Hd.                       | 1        |
| 25       | 3256-23  | Washer                                 | 3        |
| 26       | 105316   | Cap – Plunger                          | 2        |

| Ref. No. | Part No.  | Description           | No. Used |
|----------|-----------|-----------------------|----------|
| 27       | 113445    | Bar – Lift            | 1        |
| 28       | 6229      | Bearing               | 1        |
| 29       | 32120-47  | Ring – Retaining      | 1        |
| 34       | 110653    | Rod – Height Control  | 1        |
| 35       | 3272-10   | Pin – Cotter          | 1        |
| 36       | 3256-5    | Washer                | 1        |
| 37       | 106345    | Casting – Lift Lever  | 1        |
| 38       | 322-5     | Screw – Hex. Hd.      | 3        |
| 39       | 106258    | Sleeve                | 1        |
| 40       | 5280      | Knob – Height Control | 1        |
| 41       | 106411    | Latch – Bracket       | 1        |
| 42       | 926694    | Screw – Hex. Hd.      | 1        |
| 44       | 3296-29   | Nut                   | 4        |
| 45       | 926696    | Screw – Hex. Hd.      | 2        |
| 46       | 108565    | Shaft                 | 1        |
| 47       | 32121-103 | Pin – Spirol          | 1        |
| 48       | 32121-25  | Pin – Roll            | 1        |
| 55       | 3256-25   | Washer                | 1        |
| 56       | 3296-39   | Nut                   | 1        |



## ELECTRICAL SYSTEM

| Ref. No. | Part No. | Description   | No. Used | Ref. No. | Part No. | Description                      | No. Used |
|----------|----------|---|----------|----------|----------|----------------------------------|----------|
| 1        | 116338   | Switch - Ignition                                   | 1        | 24       | 92-9845  | Solenoid                         | 1        |
|          | 111216   | Switch - Ignition                                   | 1        | 25       | 960152   | Bolt - Whizlock                  | 2        |
| 2        | 920160   | Washer - IntL. T                                    | 1        | 26       | 111069   | Cable - Solenoid To Starter      | 1        |
| 3        | 101884   | Nut - Special                                       | 1        | 27       | 111074   | Cable - Battery, Positive        | 1        |
| 4        | 62-7770  | Key - Ignition, Padded                              | 1        | 32       | 116497   | Nut                              | 4        |
| 5        | 79-3590  | Harness Assy - Wiring (Incl. Ref.#6,7,9,44 & 64-68) | 1        | 35       | 910794   | Screw                            | 1        |
| 6        | 104926   | Switch - Connector Body Ignition                    | 1        | 40       | 109910   | Cable - Ground                   | 1        |
| 7        | 518105   | Terminal  | 1        | 41       | 100571   | Tie - Cable                      | 1        |
| 8        | 103480   | Switch - Clutch Interlock, (Incl. Ref. #16)         | 1        | 42       | 3254-2   | Washer - Intl. T                 | 1        |
| 9        | 120930   | Body - Fuse   | 1        | 44       | 102651   | Terminal - Female                | 8        |
| 12       | 109355   | Fuse 15 Amp ATO or ATC                              | 1        | 48       | 920262   | Washer - Special                 | 1        |
|          | 109102   | Fuse 25 Amp ATO or ATC                              | 1        | 49       | 3253-3   | Washer - Lock                    | 2        |
|          | NN10277  | Fuse 30 Amp ATO or ATC                              | 1        | 50       | 3218-1   | Nut                              | 2        |
| 13       | 111642   | Barrier - Switch Insulator                          | 2        | 51       | 78-0020  | Meter - Hour (Incl. Ref.# 52-54) | 1        |
| 14       | 38-1420  | Switch - Seat                                       | 1        | 52       | 114017   | Clamp - Steel                    | 1        |
| 16       | 110502   | Shield - Dirt                                       | 1        | 53       | 920120   | Washer - Lock                    | 1        |
| 17       | 112185   | Body - Connector                                    | 1        | 54       | 915962   | Nut - Hex                        | 1        |
| 18       | 115411   | Support - Switch                                    | 1        | 55       | 8830     | Clip                             | 1        |
| 19       | 926671   | Bolt  | 1        | 59       | 910478   | Screw                            | 2        |
| 20       | 111332   | Switch - PTO Interlock                              | 3        | 60       | 915732   | Nut                              | 2        |
| 21       | 79-0060  | Voltmeter   | 1        | 62       | 116397   | Relay                            | 1        |
| 22       | 78-0080  | Clamp - Voltmeter, Back                             | 1        | 63       | 519337   | Clip - Cable                     | 1        |
| 23       | 5924     | Nut   | 2        | 64       | 518105   | Terminal                         | 1        |
|          |          |   |          | 65       | 6921     | Terminal                         | 1        |
|          |          |   |          | 68       | 518077   | Terminal                         | 2        |

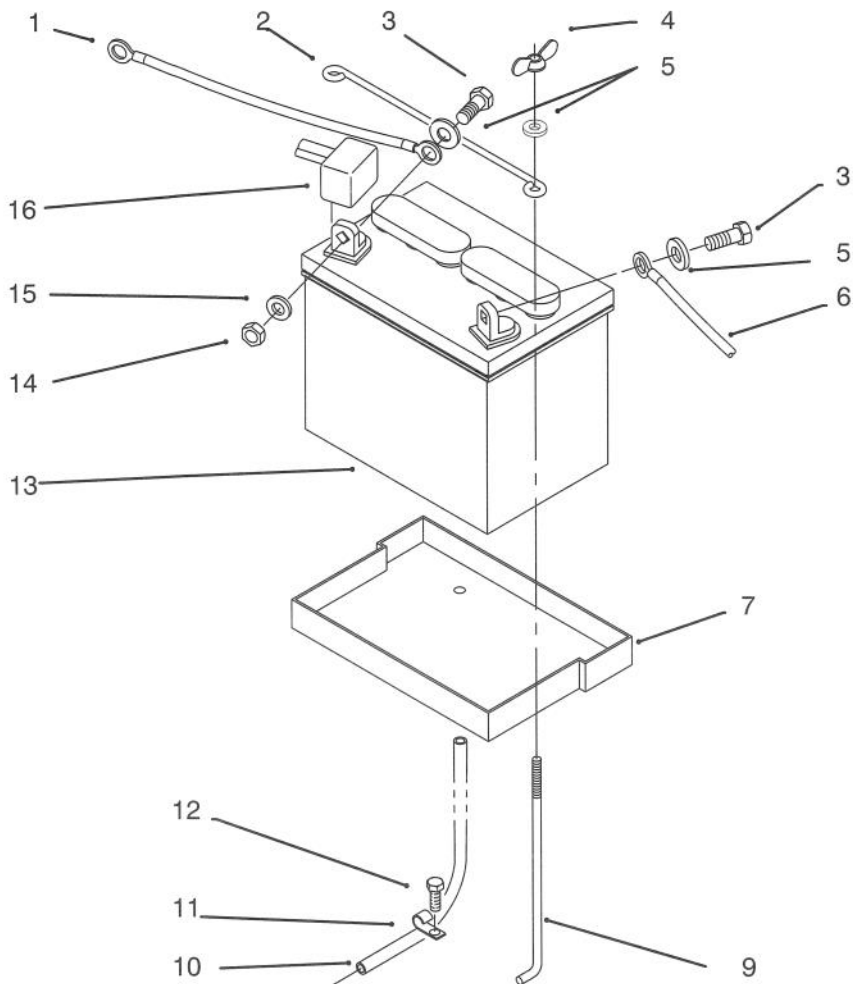


C-1497

## ELECTRICAL SYSTEM

| Ref. No. | Part No. | Description                          | No. Used |
|----------|----------|--------------------------------------|----------|
| 1        | 116796   | Test Switch                          | 1        |
| 2        | 117217   | Switch – Button<br>(Incl. Ref. #2-4) | 1        |
| 3        | 111767   | Washer                               | 1        |
| 4        | 111359   | Nut – Hex                            | 4        |
| 5        | 915732   | Nut – Lock                           | 2        |

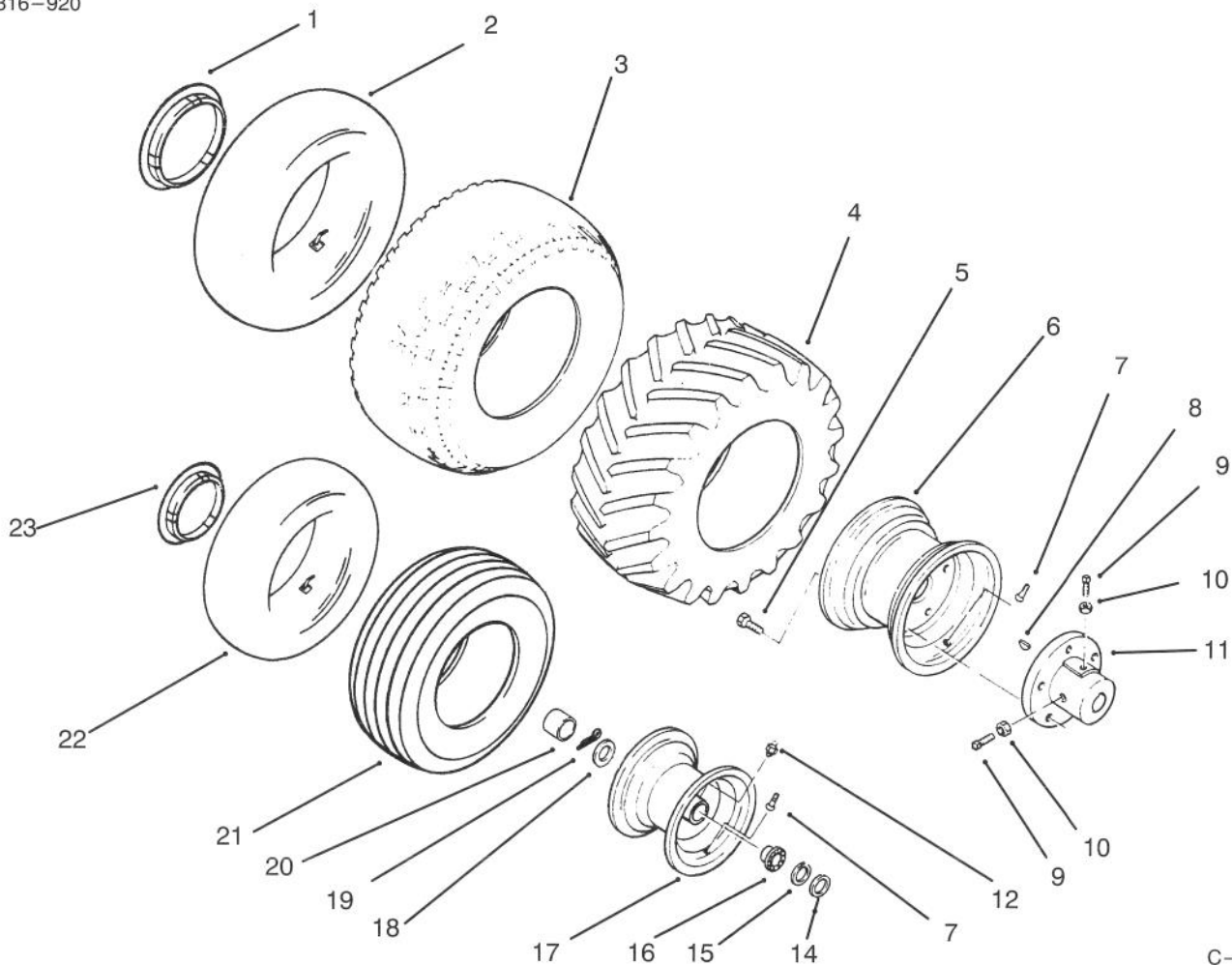
| Ref. No. | Part No. | Description                          | No. Used |
|----------|----------|--------------------------------------|----------|
| 6        | 112506   | Bracket                              | 1        |
| 7        | 116723   | Harness – Wiring                     | 1        |
| 8        | 9107562  | Screw                                | 2        |
| 9        | 111343   | Bushing Assembly<br>& Indicator Lens | 5        |
| 10       | 114825   | PC Board w/Lights                    | 1        |



### BATTERY

| Ref. No. | Part No. | Description             | No. Used |
|----------|----------|-------------------------|----------|
| 1        | 111074   | Cable - Battery         | 1        |
| 2        | 113010   | Rod - Battery Hold Down | 1        |
| 3        | 321-3    | Screw - Hex. Hd.        | 2        |
| 4        | 32103-22 | Nut - Wing              | 4        |
| 5        | 3256-22  | Washer                  | 4        |
| 6        | 111069   | Cable - Battery         | 1        |
| 7        | 106948   | Tray - Battery          | 1        |
| 9        | 113969   | Hook - Battery          | 2        |

| Ref. No. | Part No. | Description          | No. Used |
|----------|----------|----------------------|----------|
| 10       | 114720   | Tube - Battery       | 1        |
| 11       | 8830     | Retainer             | 1        |
| 12       | 322-2    | Screw - Hex. Hd.     | 1        |
| 13       | 104962   | Battery              | 1        |
| 14       | 3296-42  | Nut                  | 2        |
| 15       | 3253-3   | Washer - Lock        | 2        |
| 16       | 109553   | Boot - Battery Cable | 1        |



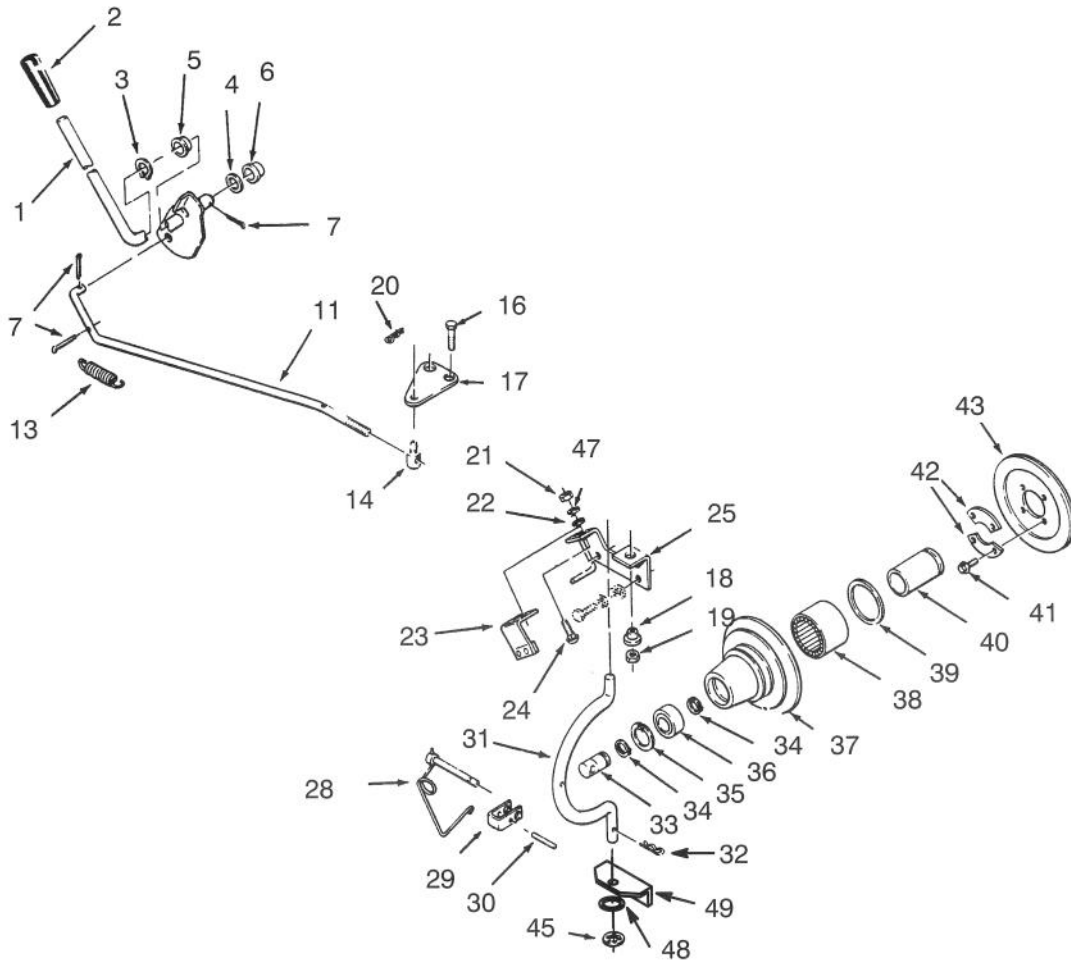
C-1499

## WHEELS AND TIRES

| Ref. No. | Part No. | Description               | No. Used |
|----------|----------|---------------------------|----------|
| 1        | 114428   | Logo - Hub Cap 12" (Opt.) | 2        |
| 2        | 1645     | Tube - Rear (Opt.)        | 2        |
| *        | 100291   | Tube - Cleat Tire (Opt.)  | 2        |
| 3        | 116744   | Tire - Turf Trac, Rear    | 2        |
| 4        | 7607     | Tire - Cleat, (Opt.)      | 2        |
| 5        | 83-2720  | Bolt - Lug                | 10       |
| 6        | 111516   | Wheel - Rear              | 2        |
| *        | 110677   | Wheel - Cleat (Opt.)      | 2        |
| 7        | 5108     | Stem - Valve              | 4        |
| 8        | 937108   | Key - Woodruff            | 2        |
| 9        | 3243-5   | Screw - Set               | 4        |
| 10       | 3218-3   | Nut                       | 4        |
| 11       | 105763   | Hub - Rear                | 2        |

| Ref. No. | Part No. | Description  | No. Used |
|----------|----------|--|----------|
| 12       | 109500   | Fitting - Grease                                   | 2        |
| 14       | 5210     | Washer - Shim .015                                 | 2        |
| 15       | 1278     | Washer - Shim .050                                 | 4        |
| 16       | 110513   | Bearing - Ball                                     | 4        |
| 17       | 117286   | Rim - Front  | 2        |
| 18       | 11952    | Washer - Special Hub Cap                           | 2        |
| 19       | 3272-17  | Pin - Cotter                                       | 2        |
| 20       | 109154   | Hubcap   | 2        |
| 21       | 117127   | Tire - Turf Trac, Front                            | 2        |
| 22       | 100079   | Tube - Front" (Opt.)                               | 2        |
| 23       | 114426   | Logo - Hub Cap 6" (Opt.)                           | 2        |
| *        | 78-7600  | Wheel Assembly - Front (Incl. Ref.# 7,12, 16 & 21) | 2        |

\*Not Illustrated

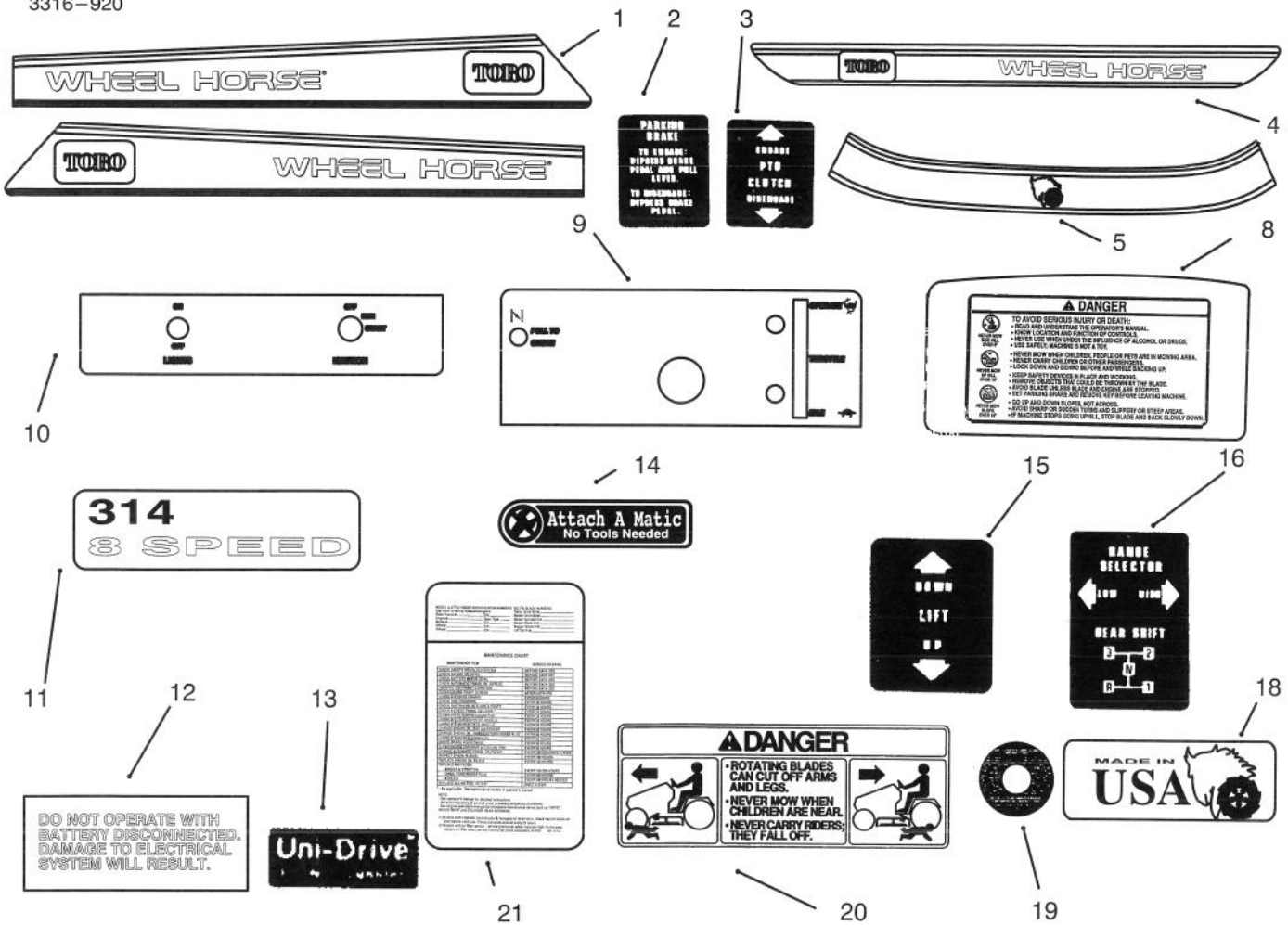


C-1500

## PTO CLUTCH AND CONTROL

| Ref. No. | Part No. | Description          | No. Used |
|----------|----------|----------------------|----------|
| 1        | 111234   | Lever - PTO Clutch   | 1        |
| 2        | 9038     | Grip                 | 1        |
| 3        | 32151-11 | Ring - Grip          | 1        |
| 4        | 3765     | Washer - Shim        | 2        |
| 5        | 5666     | Bushing - Nyliner    | 1        |
| 6        | 5983     | Bushing              | 1        |
| 7        | 3272-10  | Pin - Cotter         | 3        |
| 11       | 111052   | Rod - PTO Clutch     | 1        |
| 13       | 103125   | Spring               | 1        |
| 14       | 110656   | Trunnion             | 1        |
| 16       | 323-7    | Screw - Hex. Hd.     | 1        |
| 17       | 110669   | Plate - PTO          | 1        |
| 18       | 104859   | Spacer               | 1        |
| 19       | 3296-39  | Nut                  | 1        |
| 20       | 933505   | Pin - Cotter         | 1        |
| 21       | 3218-1   | Nut                  | 2        |
| 22       | 3256-22  | Washer               | 2        |
| 23       | 110665   | Brake Assembly - PTO | 1        |
| 24       | 3229-25  | Bolt - Carriage      | 2        |
| 25       | 111240   | Bracket - Engine     | 1        |

| Ref. No. | Part No. | Description           | No. Used |
|----------|----------|-----------------------|----------|
| 28       | 111314   | Pin - Locking         | 1        |
| 29       | 113107   | Clevis                | 1        |
| 30       | 933274   | Pin - Spirol          | 1        |
| 31       | 113108   | Rod - PTO Housing     | 1        |
| 32       | 933506   | Pin - Cotter          | 1        |
| 33       | 102872   | Shaft - Stub          | 1        |
| 34       | 32120-72 | Ring - Retaining      | 2        |
| 35       | 32120-62 | Ring - Retaining      | 1        |
| 36       | 109842   | Bearing - Ball        | 1        |
| 37       | 103478   | Housing - Pulley      | 1        |
| 38       | 6662     | Bearing - Needle      | 1        |
| 39       | 6663     | Seal                  | 1        |
| 40       | 6658     | Race - Bearing        | 1        |
| 41       | 321-8    | Bolt - Nylok          | 4        |
| 42       | 6659     | Retainer              | 2        |
| 43       | 114881   | Facing - Clutch Plate | 1        |
| 45       | 106695   | Push-On Ring          | 1        |
| 47       | 3253-3   | Washer - Lock         | 1        |
| 48       | 3256-27  | Washer                | 1        |
| 49       | 102870   | Bracket Support       | 1        |



## DECALS

| Ref. No. | Part No. | Description              | No. Used |
|----------|----------|--------------------------|----------|
| 1        | 92-9825  | Decal - Hood RH          | 1        |
|          | 92-9824  | Decal - Hood LH          | 1        |
| 2        | 111510   | Decal - Parking Brake    | 1        |
| 3        | 111960   | Decal - PTO Clutch       | 1        |
| 4        | 92-9827  | Decal - Rear Fender      | 1        |
| 5        | 92-9826  | Decal - Front Hood       | 1        |
| 8        | 92-9837  | Decal - Rear Hood Danger | 1        |
| 9        | 119190   | Decal - Lower Dash       | 1        |
| 10       | 74-2470  | Decal - Switch Plate     | 1        |
| 11       | 92-9829  | Decal - 314-8 Speed      | 2        |

| Ref. No. | Part No. | Description               | No. Used |
|----------|----------|---------------------------|----------|
| 12       | 111926   | Decal - Electrical System | 1        |
| 13       | 92-8749  | Decal - Unidrive          | 1        |
| 14       | 92-8747  | Decal - Attach-A-Matic    | 2        |
| 15       | 112168   | Decal - Lift              | 1        |
| 16       | 111534   | Decal - Hi-Low Shift      | 1        |
| 18       | 76-1340  | Decal - Made in U.S.A.    | 1        |
| 19       | KH10191  | Decal - Air Cleaner/Lub   | 1        |
| 20       | 92-8946  | Decal - Danger            | 1        |
| 21       | 88-3200  | Decal - Maintenance       | 1        |
| *        | 92-1536  | Loose Parts Package       | 1        |

# TORO PART NUMBER INDEX

3316-920

| Part No. | Description             | Pg. Ref. |     | Qty. | Part No. | Description                | Pg. Ref. |     | Qty. |
|----------|-------------------------|----------|-----|------|----------|----------------------------|----------|-----|------|
|          |                         | No.      | No. |      |          |                            | No.      | No. |      |
| 1121     | Key                     | 33       | 18  | 1    | 7213     | Bolt - Detent              | 29       | 57  | 1    |
| 1239     | Screw - Set - Special   | 29       | 47  | 1    | 7214     | Lever - Shift Hi-Low Range | 29       | 58  | 1    |
| 1243     | Cup - Plug              | 27       | 28  | 1    | 7269     | Gear Assembly              | 29       | 36  | 1    |
| 1278     | Washer - Shim           | 31       | 13  | 1    | 7418     | Washer - Thrust            | 27       | 20  | 1    |
| 1278     | Washer - Shim .050      | 38       | 15  | 4    | 7451     | Pulley - Idler             | 31       | 42  | 1    |
| 1481     | Fitting - Grease, 45°   | 9        | 22  | 2    | 7456     | Clamp                      | 5        | 17  | 4    |
| 1504     | Bushing - Bronze        | 29       | 37  | 2    | 7473     | Belt - Drive               | 25       | 6   | 1    |
| 1516     | Bushing - Reverse Idler | 29       | 43  | 1    | 7607     | Tire - Cleat, (Opt.)       | 38       | 4   | 2    |
| 1518     | Bearing - Needle        | 27       | 22  | 2    | 7879     | Bushing                    | 31       | 24  | 2    |
| 1523     | Bearing - Needle        | 27       | 16  | 1    | 7896     | Washer - Bowed             | 31       | 12  | 1    |
| 1529     | Bearing - Needle        | 27       | 12  | 1    | 7896     | Washer - Bowed             | 9        | 15  | 1    |
| 1532     | Bearing - Needle        | 27       | 9   | 2    | 8043     | Bulb - Light, Metal Base   | 6        | 14  | 2    |
| 1542     | Bearing - Needle        | 27       | 10  | 1    | 8130     | Retainer - Spring          | 33       | 3   | 1    |
| 1644     | Hitch - Drawbar         | 10       | 11  | 1    | 8616     | Spring                     | 10       | 1   | 2    |
| 1645     | Tube - Rear (Opt.)      | 38       | 2   | 2    | 8830     | "J"Clip                    | 11       | 11  | 1    |
| 2844     | Washer - Special        | 29       | 78  | 1    | 8830     | "J"Clip                    | 6        | 27  | 1    |
| 3023     | Clip - Small            | 6        | 8   | 1    | 8830     | Clip                       | 18       | 12  | 1    |
| 3023     | Clip - Speed            | 7        | 22  | 1    | 8830     | Clip                       | 3        | 22  | 2    |
| 3023     | Clip - Wire             | 11       | 15  | 1    | 8830     | Clip                       | 35       | 55  | 1    |
| 3503     | Fork - Shift            | 27       | 33  | 2    | 8830     | Retainer                   | 37       | 11  | 1    |
| 3517     | Ball - Detent           | 29       | 55  | 3    | 9038     | Grip                       | 39       | 2   | 1    |
| 3527     | Gear - Reduction        | 29       | 38  | 1    | 9038     | Grip                       | 10       | 20  | 1    |
| 3577     | Cover - Dust            | 29       | 49  | 1    | 9416     | Bearing - Needle           | 27       | 11  | 2    |
| 3624     | Spring                  | 33       | 4   | 1    | 9547     | Washer - Thrust            | 29       | 50  | 1    |
| 3765     | Washer - Shim           | 39       | 4   | 2    | 9593     | Band - Brake               | 29       | 81  | 1    |
| 3765     | Washer - Shim           | 31       | 21  | 1    | 9598     | Plate - Stop               | 29       | 80  | 1    |
| 3909     | Pin - Reverse Idler     | 29       | 42  | 1    | 11952    | Washer - Special Hub Cap   | 38       | 18  | 2    |
| 3912     | Gasket - Transmission   | 29       | 46  | 1    | 100079   | Tube - Front (Opt.)        | 38       | 22  | 2    |
| 3915     | Pin - Locating          | 27       | 15  | 2    | 100291   | Tube - Cleat Tire (Opt.)   | 38       | *   | 2    |
| 4204     | Gear Assembly, Reverse  | 29       | 41  | 1    | 100441   | Seal - Brake Shaft         | 27       | 18  | 1    |
| 5108     | Stem - Valve            | 38       | 7   | 4    | 100442   | Seal - Input Shaft         | 27       | 13  | 1    |
| 5173     | Gear - High & Second    | 27       | 29  | 1    | 100443   | Seal - Axle                | 27       | 14  | 4    |
| 5174     | Gear Low & Reverse      | 27       | 30  | 1    | 100571   | Tie - Cable                | 35       | 41  | 1    |
| 5175     | Gear Assembly           | 27       | 23  | 1    | 101017   | Rod - Mid Hitch Lock       | 10       | 17  | 1    |
| 5210     | Washer - Shim           | 9        | 11  | A/R  | 101161   | Trunnion - Clutch Rod      | 31       | 22  | 1    |
| 5210     | Washer - Shim .015      | 38       | 14  | 2    | 101623   | Gear - Differential Pinion | 29       | 70  | 8    |
| 5280     | Knob - Height Control   | 33       | 40  | 1    | 101625   | Shaft - Pinion             | 29       | 52  | 1    |
| 5614     | Pin - Shift             | 27       | 35  | 1    | 101626   | Gear 44 Tooth              | 29       | 53  | 1    |
| 5615     | Rail - Shift, Front     | 27       | 31  | 1    | 101707   | Lock - Attachment          | 10       | 24  | 1    |
| 5616     | Rail - Shift, Rear      | 27       | 32  | 1    | 101711   | Housing - Front Hitch      | 10       | 3   | 1    |
| 5618     | Ring - Retaining        | 10       | 9   | 2    | 101750   | Rod - Pivot Latch          | 10       | 22  | 1    |
| 5618     | Ring - Retaining        | 9        | 32  | 1    | 101751   | Rod - Lock                 | 10       | 25  | 1    |
| 5638     | Axle                    | 9        | 31  | 1    | 101847   | Dipstick                   | 29       | 44  | 1    |
| 5666     | Bushing - Nylon         | 39       | 5   | 1    | 101850   | Rod - Hood Stop            | 2        | 19  | 1    |
| 5924     | Nut                     | 35       | 23  | 2    | 101884   | Nut - Special              | 35       | 3   | 1    |
| 5924     | Nut                     | 3        | 25  | 2    | 101884   | Nut - Special              | 3        | 13  | 1    |
| 5979     | Bushing - Hood Pivot    | 2        | 15  | 2    | 101889   | Gear - Differential Axle   | 29       | 71  | 2    |
| 5983     | Bushing                 | 39       | 6   | 1    | 102025   | Spacer                     | 31       | 36  | 1    |
| 6216     | Pin & Plate             | 9        | 30  | 1    | 102138   | Switch - Light             | 3        | 23  | 1    |
| 6229     | Bearing                 | 33       | 28  | 1    | 102592   | Tie Rod Asm, RH            | 9        | 3   | 1    |
| 6397     | Bearing                 | 9        | 21  | 1    | 102644   | Plate - Mid Hitch          | 10       | 4   | 2    |
| 6472     | Bearing - Flanged       | 9        | 5   | 1    | 102651   | Terminal - Female          | 35       | 44  | 8    |
| 6542     | Grip - Lift Lever       | 33       | 6   | 1    | 102703   | Nipple - Transmission Fill | 29       | 45  | 1    |
| 6658     | Race - Bearing          | 39       | 40  | 1    | 102809   | Nut - Special              | 31       | 39  | 1    |
| 6659     | Retainer                | 39       | 42  | 2    | 102870   | Bracket Support            | 39       | 49  | 1    |
| 6662     | Bearing - Needle        | 39       | 38  | 1    | 102872   | Shaft - Stub               | 39       | 33  | 1    |
| 6663     | Seal                    | 39       | 39  | 1    | 102950   | Ring - Retaining           | 3        | 18  | 1    |
| 6739     | Trunnion                | 33       | 20  | 1    | 102974   | Gear Assembly              | 29       | 51  | 1    |
| 6820     | Grip                    | 31       | 35  | 1    | 103125   | Spring                     | 39       | 13  | 1    |
| 6876     | Spacer                  | 11       | 4   | 1    | 103347   | Rod - Clutch               | 31       | 14  | 1    |
| 6921     | Terminal                | 35       | 65  | 1    | 103478   | Housing - Pulley           | 39       | 37  | 1    |
| 7201     | Shaft - Input           | 27       | 19  | 1    | 103480   | Switch - Clutch Interlock, | 35       | 8   | 1    |
| 7204     | Gear Assembly           | 27       | 21  | 1    | 103543   | Bell Crank - Brake Linkage | 31       | 23  | 1    |
| 7205     | Gear - Sliding          | 27       | 24  | 1    | 103628   | Spring - Return            | 31       | 41  | 1    |
| 7206     | Gear - Reduction        | 27       | 25  | 1    | 104047   | Bushing                    | 6        | 15  | 1    |
| 7207     | Bearing - Needle        | 27       | 26  | 2    | 104048   | Valve - Fuel Shut-Off      | 6        | 16  | 1    |
| 7208     | Shaft - Reduction Gear  | 27       | 27  | 1    | 104859   | Spacer                     | 39       | 18  | 1    |

\*Not Illustrated

# TORO PART NUMBER INDEX (Cont.)

| Part No. | Description                 | Pg. Ref. |      | Part No. | Description                 | Pg. Ref. |      |
|----------|-----------------------------|----------|------|----------|-----------------------------|----------|------|
|          |                             | No.      | Qty. |          |                             | No.      | Qty. |
| 104926   | Switch - Connector Body     | 35       | 6 1  | 109910   | Cable - Ground              | 35       | 40 1 |
| 104962   | Battery                     | 37       | 13 1 | 109910   | Wire - Ground               | 11       | 16 1 |
| 105061   | Gear - Differential Ring    | 29       | 68 1 | 109989   | Spacer                      | 7        | 20 4 |
| 105202   | Base - Taillight, w/Bulb    | 6        | 11 2 | 110234   | Screw - Hex. Hd.            | 29       | 79 1 |
| 105269   | Shaft - Drawbar Hitch       | 10       | 10 1 | 110502   | Shield - Dirt               | 35       | 16 1 |
| 105316   | Cap - Plunger               | 33       | 26 2 | 110513   | Bearing - Ball              | 38       | 16 4 |
| 105316   | Cap - Lock Rod              | 10       | 19 2 | 110636   | Pad - Footrest              | 5        | 15 2 |
| 105453   | Key                         | 25       | 3 1  | 110653   | Rod - Height Control        | 33       | 34 1 |
| 105503   | Bushing                     | 7        | 19 2 | 110656   | Trunnion                    | 39       | 14 1 |
| 105524   | Bracket - Pivot             | 7        | 9 2  | 110665   | Brake Assembly - PTO        | 39       | 23 1 |
| 105763   | Hub - Rear                  | 38       | 11 2 | 110669   | Plate - PTO                 | 39       | 17 1 |
| 105797   | Ring - Retaining            | 2        | 16 2 | 110677   | Wheel - Cleat (Opt.)        | 38       | * 2  |
| 105797   | Ring - Retaining            | 10       | 26 6 | 110725   | Stick - Shift               | 29       | 74 1 |
| 105875   | Axle - Rear                 | 29       | 72 2 | 110727   | Rod - Shift Hi-Low Range    | 29       | 62 1 |
| 105876   | Ring - Special, Snap        | 29       | 73 2 | 110920   | Spring - Seat               | 7        | 1 2  |
| 105886   | Rod - Brake, Front          | 31       | 29 1 | 110960   | Fender                      | 6        | 4 1  |
| 105896   | Arm - Clutch Rod            | 31       | 18 1 | 111034   | Plate - Hood Stand          | 3        | 21 1 |
| 105900   | Rod - Brake, Rear           | 31       | 28 1 | 111052   | Rod - PTO Clutch            | 39       | 11 1 |
| 106030   | Spring - Detent             | 29       | 56 2 | 111069   | Cable - Battery             | 37       | 6 1  |
| 106165   | Pulley - Transmission Drive | 25       | 7 1  | 111069   | Cable - Solenoid To Starter | 35       | 26 1 |
| 106193   | Bolt - Special              | 31       | 43 1 | 111071   | Bumper                      | 7        | 17 2 |
| 106222   | Footrest - RH               | 5        | 22 1 | 111074   | Cable - Battery             | 37       | 1 1  |
| 106223   | Footrest - LH               | 5        | 18 1 | 111074   | Cable - Battery, Positive   | 35       | 27 1 |
| 106234   | Tank - Fuel                 | 6        | 1 1  | 111196   | Cap - Diff End              | 29       | 64 2 |
| 106236   | Support - Fuel Tank, RH     | 6        | 30 1 | 111198   | Case-Transmission, LH       | 27       | 2 1  |
| 106250   | Cover - Dust                | 4        | 15 1 | 111199   | Bearing - Ball              | 27       | 8 2  |
| 106257   | Rod - Latch                 | 33       | 2 1  | 111200   | Case-Transmission, RH       | 27       | 1 1  |
| 106258   | Sleeve                      | 33       | 39 1 | 111216   | Switch - Ignition           | 35       | 1 1  |
| 106269   | Bushing                     | 33       | 16 2 | 111234   | Lever - PTO Clutch          | 39       | 1 1  |
| 106345   | Casting - Lift Lever        | 33       | 37 1 | 111240   | Bracket - Engine            | 39       | 25 1 |
| 106352   | Guard - Lower Belt          | 5        | 21 1 | 111242   | Guide - Belt, Bottom        | 25       | 14 1 |
| 106411   | Latch - Bracket             | 33       | 41 1 | 111271   | Console                     | 3        | 6 1  |
| 106417   | Rod - Bell Crank Pivot      | 31       | 26 1 | 111314   | Pin - Locking               | 39       | 28 1 |
| 106451   | Lever - Parking Brake       | 31       | 34 1 | 111332   | Switch - PTO Interlock      | 35       | 20 3 |
| 106522   | Chain - Lift                | 33       | 22 1 | 111343   | Bushing Assembly            | 36       | 9 5  |
| 106634   | Pin - Hitch                 | 10       | 13 1 | 111359   | Nut - Hex                   | 36       | 4 4  |
| 106695   | Push-On Ring                | 39       | 45 1 | 111383   | Collar                      | 31       | 10 3 |
| 106719   | Drum - Brake                | 29       | 77 1 | 111392   | "J" Clip                    | 3        | 37 1 |
| 106858   | Clamp                       | 11       | 7 1  | 111510   | Decal - Parking Brake       | 40       | 2 1  |
| 106948   | Tray - Battery              | 37       | 7 1  | 111516   | Wheel - Rear                | 38       | 6 2  |
| 107069   | Clip                        | 5        | 12 3 | 111534   | Decal - Hi-Low Shift        | 40       | 16 1 |
| 107069   | Nut - Speed                 | 4        | 14 7 | 111642   | Barrier - Switch Insulator  | 35       | 13 2 |
| 107374   | Washer - Special            | 29       | 66 4 | 111757   | Edging - Console            | 3        | 3 1  |
| 107677   | Spring - Brake Return       | 31       | 40 1 | 111767   | Washer                      | 36       | 3 1  |
| 107951   | Bracket - Fender Front      | 6        | 24 1 | 111926   | Decal - Electrical System   | 40       | 12 1 |
| 107975   | Guard - Belt                | 5        | 1 1  | 111960   | Decal - PTO Clutch          | 40       | 3 1  |
| 108130   | Wire - Headlight Ground     | 2        | 2 1  | 112168   | Decal - Lift                | 40       | 15 1 |
| 108457   | Nut - Push                  | 5        | 3 1  | 112185   | Body - Connector            | 35       | 17 1 |
| 108464   | Support - Fuel Tank, LH     | 6        | 21 1 | 112213   | Muffler                     | 11       | 8 1  |
| 108563   | Lever - Lift                | 33       | 1 1  | 112214   | Control - Choke             | 3        | 9 1  |
| 108565   | Shaft                       | 33       | 46 1 | 112415   | Stop - PTO                  | 3        | 2 1  |
| 108758   | Knob - Gear Shift           | 29       | 54 1 | 112506   | Bracket                     | 36       | 6 1  |
| 108881   | Nut - Hex                   | 29       | 67 4 | 112506   | Bracket - Indicator Lights  | 3        | 32 1 |
| 109045   | Bulb - Light, All Glass     | 6        | * 2  | 112564   | Lens - Taillight            | 6        | 13 2 |
| 109102   | Fuse 25 Amp ATO or ATC      | 35       | 1 1  | 112841   | Cap                         | 25       | 16 1 |
| 109154   | Hubcap                      | 38       | 20 2 | 113010   | Rod - Battery Hold Down     | 37       | 2 1  |
| 109189   | Bearing                     | 9        | 35 1 | 113107   | Clevis                      | 39       | 29 1 |
| 109262   | Washer - Special            | 9        | 16 2 | 113108   | Rod - PTO Housing           | 39       | 31 1 |
| 109355   | Fuse 15 Amp ATO or ATC      | 35       | 12 1 | 113179   | Nut                         | 3        | 19 1 |
| 109459   | Clamp                       | 2        | 3 2  | 113381   | Spindle - LH                | 9        | 33 1 |
| 109494   | Retainer - Headlight RH     | 2        | * 1  | 113382   | Spindle - RH                | 9        | * 1  |
| 109495   | Retainer - Headlight LH     | 2        | 22 1 | 113443   | Tube - Steering             | 9        | 17 1 |
| 109500   | Fitting - Grease            | 38       | 12 2 | 113445   | Bar - Lift                  | 33       | 27 1 |
| 109530   | Nut                         | 3        | 10 1 | 113935   | Cover - Side, LH            | 4        | 16 1 |
| 109553   | Boot - Battery Cable        | 37       | 16 1 | 113969   | Hook - Battery              | 37       | 9 2  |
| 109554   | Bracket - Belt Guard        | 5        | 6 1  | 114017   | Clamp - Steel               | 35       | 52 1 |
| 109842   | Bearing - Ball              | 39       | 36 1 | 114343   | Spring - Gas                | 7        | 16 1 |

\*Not Illustrated

# TORO PART NUMBER INDEX (Cont.)

| Part No. | Description               | Pg. Ref.<br>No. No. Qty. | Part No.  | Description             | Pg. Ref.<br>No. No. Qty. |
|----------|---------------------------|--------------------------|-----------|-------------------------|--------------------------|
| 114344   | Spacer                    | 7 11 2                   | 926671    | Bolt                    | 35 19 1                  |
| 114345   | Bracket                   | 7 14 1                   | 926694    | Bolt                    | 6 5 2                    |
| 114426   | Logo - Hub Cap 6 (Opt.)   | 38 23 2                  | 926694    | Bolt                    | 5 26 6                   |
| 114428   | Logo - Hub Cap 12 (Opt.)  | 38 1 2                   | 926694    | Screw - Hex. Hd.        | 4 2 13                   |
| 114720   | Tube - Battery            | 37 10 1                  | 926694    | Screw - Hex. Hd.        | 31 27 1                  |
| 114813   | Pedal - Brake             | 31 9 1                   | 926694    | Screw - Hex. Hd.        | 33 42 1                  |
| 114814   | Pedal - Clutch            | 31 8 1                   | 926694    | Screw - Hex. Washer Hd. | 3 1 3                    |
| 114825   | PC Board w/Lights         | 36 10 1                  | 926696    | Screw - Hex. Hd.        | 33 45 2                  |
| 114881   | Facing - Clutch Plate     | 39 43 1                  | 926697    | Bolt                    | 6 3 2                    |
| 115411   | Support - Switch          | 35 18 1                  | 933148    | Pin - Spirol            | 33 5 1                   |
| 115854   | Control - Throttle        | 3 34 1                   | 933156    | Pin - Spirol            | 27 34 2                  |
| 116000   | Bolt - Carriage           | 5 9 6                    | 933184    | Pin - Spirol            | 29 63 1                  |
| 116338   | Switch - Ignition         | 3 29 1                   | 933190    | Pin - Spirol            | 31 17 1                  |
| 116338   | Switch - Ignition         | 35 1 1                   | 933267    | Pin - Spirol            | 31 50 1                  |
| 116397   | Relay                     | 35 62 1                  | 933274    | Pin - Spirol            | 39 30 1                  |
| 116497   | Nut                       | 35 32 4                  | 933505    | Pin - Cotter            | 10 14 1                  |
| 116636   | Fork - Shift Hi-Low Range | 29 59 1                  | 933505    | Pin - Cotter            | 39 20 1                  |
| 116723   | Harness - Wiring          | 36 7 1                   | 933505    | Pin - Cotter            | 33 21 2                  |
| 116744   | Tire - Turf Trac, Rear    | 38 3 2                   | 933505    | Pin - Cotter            | 31 31 1                  |
| 116745   | Rod - Pivot               | 2 18 1                   | 933506    | Pin - Cotter            | 39 32 1                  |
| 116746   | Bracket - RH              | 2 * 1                    | 933507    | Pin - Cotter            | 33 14 2                  |
| 116747   | Bracket - LH              | 2 17 1                   | 937089    | Key - Woodruff          | 29 40 1                  |
| 116796   | Test Switch               | 36 1 1                   | 937108    | Key - Woodruff          | 38 8 2                   |
| 117127   | Tire - Turf Trac, Front   | 38 21 2                  | 937221    | Key - Hi-Pro            | 25 4 1                   |
| 117217   | Switch - Button           | 36 2 1                   | 960152    | Bolt - Whizlock         | 35 25 2                  |
| 117286   | Rim - Front               | 38 17 2                  | 979120    | Spacer                  | 10 12 2                  |
| 117331   | Holder - Fuse             | 5 24 1                   | 9107562   | Screw                   | 36 8 2                   |
| 117343   | Latch - Hood              | 3 31 2                   | 9151126   | Nut                     | 4 4 4                    |
| 117344   | Handle Assembly           | 2 11 2                   | Bolt      | 1                       | 111322-7                 |
| 117371   | Bolt - Carriage           | 4 6 4                    | Headlight | 2                       | 21102881                 |
| 117431   | Rivet - Pop               | 3 30 4                   | KH10009   | Gasket - Flange         | 13                       |
| 117432   | Rivet - Pop               | 2 10 4                   | KH10010   | Clip - Hi-Tension       | 18 18 1                  |
| 117930   | Latch - Mid Hitch         | 10 21 1                  | KH10029   | Insert - Exhaust Valve  | 20 7 1                   |
| 119190   | Decal - Lower Dash        | 40 9 1                   | KH10034   | Seal                    | 19 6 1                   |
| 120590   | Stop - Throttle           | 3 35 1                   | KH10034   | Seal                    | 12 7 1                   |
| 120930   | Body - Fuse               | 35 9 1                   | KH10035   | Pin - Governor Stop     | 15 3 1                   |
| 518077   | Terminal                  | 35 68 2                  | KH10040   | Screw                   | 15 47 1                  |
| 518105   | Terminal                  | 35 7 1                   | KH10049   | Bearing                 | 20 8 1                   |
| 518105   | Terminal                  | 35 64 1                  | KH10054   | Retainer - Upper Spring | 21 7 2                   |
| 518211   | Bumper                    | 5 10 2                   | KH10055   | Gasket                  | 20 16 1                  |
| 519337   | Clip - Cable              | 35 63 1                  | KH10057   | Reed                    | 19 3 1                   |
| 910478   | Screw                     | 35 59 2                  | KH10058   | Gasket                  | 19 1 1                   |
| 910762   | Screw                     | 3 7 2                    | KH10059   | Gasket                  | 23 8 1                   |
| 910792   | Screw                     | 3 4 6                    | KH10062   | Spring                  | 21 14 2                  |
| 910794   | Screw                     | 35 35 1                  | KH10067   | Ball Bearing            | 20 3 2                   |
| 910794   | Screw - Machine           | 5 7 2                    | KH10070   | Bushing                 | 15 22 1                  |
| 910808   | Screw                     | 6 12 4                   | KH10071   | Valve - Intake          | 21 6 1                   |
| 910837   | Bolt - Carriage           | 5 4 9                    | KH10072   | Plate                   | 19 2 1                   |
| 910837   | Screw                     | 4 12 7                   | KH10081   | Shaft - Balance Gear    | 20 18 1                  |
| 910837   | Screw                     | 3 20 7                   | KH10082   | Connector               | 18 16 1                  |
| 911423   | Bolt                      | 29 65 4                  | KH10087   | Washer                  | 15 24 1                  |
| 915732   | Nut                       | 35 60 2                  | KH10088   | Gasket                  | 23 6 1                   |
| 915732   | Nut - Lock                | 36 5 2                   | KH10090   | Valve - Exhaust         | 21 5 1                   |
| 915740   | Nut                       | 5 23 4                   | KH10091   | Kit - Stator 15 am      | 18 9 1                   |
| 915740   | Nut - Lock                | 3 36 2                   | KH10093   | Gasket                  | 13 2 1                   |
| 915960   | Nut                       | 3 33 2                   | KH10093   | Gasket - Bowl Screen    | 13                       |
| 915962   | Nut - Hex                 | 35 54 1                  | KH10094   | Gasket                  | 13 6 1                   |
| 920120   | Washer - Lock             | 35 53 1                  | KH10094   | Gasket - Bowl           | 13                       |
| 920150   | Washer - Lock             | 3 8 2                    | KH10095   | Gasket                  | 14 5 1                   |
| 920160   | Washer - IntL. T          | 35 2 1                   | KH10107   | Screw - Hex. Hd.        | 17 5 4                   |
| 920160   | Washer - IntL. T          | 3 12 1                   | KH10108   | Screw                   | 17 7 1                   |
| 920225   | Washer - Special          | 31 49 1                  | KH10109   | Screw - Idle Speed Adj. | 13 19 1                  |
| 920248   | Washer - Nylon            | 31 19 3                  | KH10110   | Screw                   | 13 14 4                  |
| 920259   | Washer - Special          | 3 17 1                   | KH10112   | Spring - Idle Fuel      | 13 16 1                  |
| 920262   | Washer - Special          | 3 11 1                   | KH10113   | Spring                  | 13 8 1                   |
| 920262   | Washer - Special          | 35 48 1                  | KH10114   | Spring - Adj.           | 13 18 1                  |
| 926671   | Bolt                      | 2 4 2                    | KH10116   | Screw                   | 13 1 1                   |

\*Not Illustrated

# TORO PART NUMBER INDEX (Cont.)

| Part No. | Description                | Pg. No. | Ref. No. | Qty. | Part No. | Description                 | Pg. No. | Ref. No. | Qty. |
|----------|----------------------------|---------|----------|------|----------|-----------------------------|---------|----------|------|
| KH10117  | Bowl - Fuel                | 13      | 3        | 1    | KH10299  | Cover                       | 12      | 2        | 1    |
| KH10119  | Decal - Float Switch       | 23      | *        | 1    | KH10302  | Space                       | 15      | 44       | 1    |
| KH10123  | Connector - 90°            | 14      | 3        | 2    | KH10303  | Bracket - Clutch Control    | 15      | 48       | 1    |
| KH10124  | Fan                        | 17      | 4        | 1    | KH10304  | Bracket - Solenoid          | 24      | *        | 1    |
| KH10126  | Screen                     | 17      | 6        | 1    | KH10304  | Bracket - Starter           | 24      | 5        | 1    |
| KH10128  | Ball                       | 13      | 7        | 1    | KH10308  | Clamp                       | 15      | 49       | 1    |
| KH10130  | Line - Fuel                | 14      | 1        | 1    | KH10309  | Hose                        | 19      | 11       | 1    |
| KH10132  | Needle - Idle Fuel Adj.    | 13      | 15       | 1    | KH10310  | Pin - Camshaft              | 21      | 4        | 1    |
| KH10134  | Sleeve                     | 23      | 12       | 1    | KH10311  | Gasket                      | 20      | 10       | 1    |
| KH10135  | Tag - Caution              | 24      | *        | 1    | KH10312  | Strap - Lifting             | 20      | 23       | 1    |
| KH10136  | Washer                     | 15      | 25       | 1    | KH10313  | Lead - Violet, Regulator-   | 18      | *        | 1    |
| KH10143  | Baffle                     | 19      | 4        | 1    | KH10315  | Lead - Wire, Module         | 18      | *        | 1    |
| KH10144  | Screw                      | 20      | 22       | 8    | KH10319  | Pump Assy - Fuel            | 14      | 4        | 1    |
| KH10145  | Washer                     | 20      | 21       | 9    | KH10321  | Module - Ignition           | 18      | 1        | 1    |
| KH10146  | Gasket                     | 13      |          |      | KH10322  | Kit - Spacer                | 21      | 19       | 2    |
| KH10146  | Gasket - Carburetor        | 13      |          |      | KH10323  | Kit - Drive                 | 24      | 12       | 1    |
| KH10147  | Spacer .005                | 21      | 3        | 1    | KH10324  | Kit - Drive Parts           | 24      | 13       | 1    |
| KH10148  | Spacer .010                | 21      | *        | 1    | KH10325  | Set - Gasket w/ Seals       | 20      | *        | 1    |
| KH10149  | Gasket                     | 19      | 7        | 1    | KH10345  | Connector                   | 18      | 11       | 1    |
| KH10150  | Stud                       | 19      | 9        | 1    | KH10345  | Connector - Female          | 23      | 13       | 1    |
| KH10152  | Washer                     | 15      | 41       | 2    | KH10358  | Kit - Choke & Throttle      | 13      | *        | 1    |
| KH10181  | Bolt                       | 24      | 7        | 2    | KH10412  | Cover - Air Cleaner Element | 12      | 4        | 1    |
| KH10188  | Spacer                     | 17      | 3        | 4    | KH10413  | Screw - Hex .Hd.            | 16      | 1        | 6    |
| KH10189  | Nut                        | 12      | 3        | 1    | KH10496  | Rotator - Valve             | 21      | 13       | 2    |
| KH10191  | Decal - Air Cleaner        | 12      | *        | 1    | KH10515  | Kit - Brush                 | 24      | 9        | 1    |
| KH10191  | Decal - Air Cleaner/Lub    | 40      | 19       | 1    | KH10535  | Nut - Lock                  | 11      | 5        | 1    |
| KH10201  | "O" Ring                   | 23      | 2        | 1    | KH10539  | Tappet - Intake Valve       | 21      | 11       | 2    |
| KH10209  | Cap - Drive End            | 24      | 11       | 1    | KH10541  | Screw                       | 23      | 5        | 3    |
| KH10210  | End Cap Ass'Y              | 24      | 8        | 1    | KH10545  | Screw                       | 20      | 14       | 4    |
| KH10221  | Kit - Retainer             | 21      | 10       | 2    | KH10545  | Screw                       | 15      | 34       | 1    |
| KH10228  | Gear Assembly              | 21      | 21       | 2    | KH10548  | Screw                       | 18      | 3        | 2    |
| KH10231  | Baffle - Head              | 16      | 3        | 1    | KH10549  | Screw                       | 24      | *        | 1    |
| KH10235  | Element - Precleaner       | 12      | 5        | 1    | KH10549  | Screw                       | 24      | 6        | 2    |
| KH10236  | Element                    | 12      | 6        | 1    | KH10549  | Screw                       | 20      | 13       | 4    |
| KH10244  | Brace - Starter Tail       | 24      | 2        | 1    | KH10550  | Screw                       | 23      | 9        | 4    |
| KH10245  | Kit - Crankshaft           | 21      | 16       | 1    | KH10552  | Screw - Pozidrive           | 14      | 7        | 2    |
| KH10247  | Armature                   | 24      | 10       | 1    | KH10556  | Washer - Lock               | 15      | 38       | 1    |
| KH10248  | Pan - Oil                  | 23      | 7        | 1    | KH10562  | Plug                        | 20      | 5        | 1    |
| KH10258  | Set - Gasket w/o Seals     | 20      | *        | 1    | KH10567  | Washer                      | 16      | 4        | 1    |
| KH10259  | Camshaft Assy              | 21      | 1        | 1    | KH10569  | Washer                      | 14      | 6        | 2    |
| KH10261  | Head - Cylinder            | 20      | 19       | 1    | KH10569  | Washer                      | 15      | 39       | 1    |
| KH10262  | Retainer - Piston Pin      | 22      | 3        | 2    | KH10570  | Washer                      | 18      | 2        | 2    |
| KH10263  | Flywheel                   | 17      | 1        | 1    | KH10570  | Washer                      | 15      | 35       | 1    |
| KH10265  | Housing - Blower           | 16      | 8        | 1    | KH10570  | Washer - Flat               | 18      | 7        | 1    |
| KH10266  | Adapter - Oil Fill         | 23      | 4        | 1    | KH10574  | Retainer                    | 21      | 20       | 1    |
| KH10267  | Bearing - Needle           | 21      | 22       | 2    | KH10576  | Nut - Wing                  | 12      | 1        | 1    |
| KH10268  | Seal                       | 20      | 12       | 1    | KH10585  | Spacer                      | 15      | 23       | 1    |
| KH10269  | Seal                       | 20      | 4        | 1    | KH10586  | Clamp                       | 14      | 2        | 2    |
| KH10270  | Dipstick                   | 23      | 1        | 1    | KH10588  | Key - Woodruff              | 17      | 2        | 1    |
| KH10272  | Gasket                     | 20      | 9        | 1    | KH10600  | Screw                       | 15      | 37       | 1    |
| KH10274  | Gasket                     | 13      |          | 1    | KH10605  | Screw                       | 15      | 45       | 1    |
| KH10274  | Gasket - Carburetor        | 13      |          |      | KH10605  | Screw - Pozidrive           | 18      | 10       | 4    |
| KH10275  | Filter                     | 19      | 5        | 1    | KH10606  | Screw - Hex. Hd.            | 18      | 4        | 1    |
| KH10278  | Elbow                      | 11      | 6        | 1    | KH10607  | Screw - Hex. Hd.            | 24      | 3        | 1    |
| KH10279  | Baffle - Side Air          | 16      | 2        | 1    | KH10609  | Screw                       | 12      | 8        | 3    |
| KH10280  | Baffle - Inner             | 16      | 7        | 1    | KH10610  | Screw                       | 18      | 6        | 1    |
| KH10282  | Baffle - Cylinder          | 16      | 6        | 1    | KH10610  | Screw - Hex. Hd.            | 24      | 4        | 1    |
| KH10287  | Linkage - Choke (Carb. to  | 15      | 32       | 1    | KH10617  | Plug - Cup                  | 21      | 15       | 1    |
| KH10289  | Screw - Pozidrive T.H.     | 16      | 5        | 3    | KH10618  | Clip                        | 18      | 5        | 1    |
| KH10290  | Screw                      | 20      | 24       | 1    | KH10619  | Nut                         | 15      | 50       | 1    |
| KH10292  | Spring                     | 21      | 2        | 1    | KH10620  | Plug                        | 23      | 10       | 4    |
| KH10293  | Lever - Choke Control      | 15      | 42       | 1    | KH10624  | Nut                         | 15      | 40       | 1    |
| KH10294  | Lever - Throttle Control   | 15      | 43       | 1    | KH10626  | Screw                       | 15      | 28       | 1    |
| KH10295  | Lever - Governor           | 15      | 27       | 1    | KH10629  | Nut - Pal                   | 15      | 8        | 1    |
| KH10296  | Spring (Governor to Carb.) | 15      | 31       | 1    | KH10629  | Palnut                      | 19      | 10       | 1    |
| KH10297  | Base - Air Cleaner         | 12      | 9        | 1    | KH10660  | Kit - Governor Gear         | 15      | 1        | 1    |
| KH10298  | Cover                      | 19      | 8        | 1    | KH10661  | Cover                       | 20      | 15       | 1    |

\*Not Illustrated

# TORO PART NUMBER INDEX (Cont.)

| Part No. | Description                 | Pg. Ref. |      | Part No. | Description                  | Pg. Ref. |      |
|----------|-----------------------------|----------|------|----------|------------------------------|----------|------|
|          |                             | No.      | Qty. |          |                              | No.      | Qty. |
| KH10663  | Kit - Float                 | 13       | 4    | 88-2782  | Hood                         | 2        | 8    |
| KH10666  | Washer                      | 17       | 8    | 88-3200  | Decal - Maintenance          | 40       | 21   |
| KH10673  | Regulator - Rectifier       | 18       | 14   | 92-72-60 | Starter Assembly             | 24       | 1    |
| KH10677  | Gasket - Air Cleaner        | 13       |      | 92-1525  | Hoodstand                    | 4        | 8    |
| KH10682  | Bushing &                   | 13       |      | 92-1532  | Engine - 14HP Kohler         | 11       | 9    |
| KH10682  | Bushing                     | 13       |      | 92-1536  | Loose Parts Package          | 40       | *    |
| KH10682  | Bushing - Linkage Natural   | 13       |      | 92-4987  | Shaft - Upper                | 9        | 9    |
| KH10686  | Bushing Linkage Black       | 13       |      | 92-6529  | Plate - Shift Cover          | 4        | 11   |
| KH10687  | Plate - Bearing             | 20       | 11   | 92-6697  | Screw                        | 7        | 5    |
| KH10693  | Carburetor Assembly         | 13       |      | 92-7251  | Kit - Carburetor w/Linkage   | 13       | *    |
| KH10693  | Kit - Adjustable Jet        | 13       | *    | 92-7252  | Carburetor Assembly          | 13       | 10   |
| KH10694  | Main - Needle               | 13       | 17   | 92-7253  | Bushing                      | 15       | 33   |
| KH10695  | Rod - Connecting .010       | 22       | *    | 92-7254  | Bushing                      | 15       | 29   |
| KH10695  | Washer                      | 15       | 46   | 92-7255  | Plate - Choke                | 13       | 21   |
| KH10696  | Kit - Carburetor Repair     | 13       | *    | 92-7256  | Shaft w/Lever & Seal         | 13       | 12   |
| KH10697  | Gasket                      | 12       | 10   | 92-7257  | Plate - Throttle             | 13       | 13   |
| KH10697  | Gasket                      | 13       |      | 92-7258  | Shaft - Governor Gear        | 20       | 2    |
| KH10697  | Gasket - Air Cleaner        | 13       |      | 92-7259  | Guide - Valve                | 20       | 6    |
| KH10700  | Gasket                      | 20       | 20   | 92-7262  | Kit - Governor Cross Shaft   | 15       | 26   |
| KH10701  | Carburetor Linkage          | 13       |      | 92-7263  | Choke Lever Assembly         | 15       | *    |
| KH10701  | Linkage (Governor to Carb.) | 15       | 30   | 92-7264  | Clip                         | 18       | 8    |
| KH10702  | Shaft - Choke               | 13       | 20   | 92-7265  | Plug - Spark                 | 18       | 17   |
| KH10709  | Jet - Main                  | 13       |      | 92-7266  | Screw                        | 18       | 15   |
| KH10709  | Main Jet                    | 13       |      | 92-7267  | Rod - Connecting Std.        | 22       | 4    |
| KH10710  | Kit - High Altitude Jet     | 13       | *    | 92-7268  | Piston w/Ring Set Std.       | 22       | 2    |
| KH10733  | Gasket                      | 13       |      | 92-7269  | Piston w/Ring Set .003       | 22       | *    |
| NN10277  | Fuse 30 Amp ATO or ATC      | 35       |      | 92-7270  | Piston w/Ring Set .010       | 22       | *    |
| 38-1420  | Switch - Seat               | 7        | 21   | 92-7271  | Piston w/Ring Set .020       | 22       | *    |
| 38-1420  | Switch - Seat               | 35       | 14   | 92-7272  | Piston w/Ring Set .030       | 22       | *    |
| 55-3570  | Fuel Cap                    | 6        | 6    | 92-7273  | Set - Ring, Std. & .003      | 22       | 1    |
| 62-7770  | Key - Ignition, Padded      | 35       | 4    | 92-7274  | Set - Ring .010              | 22       | *    |
| 62-7770  | Key - Ignition, Padded      | 3        | 14   | 92-7275  | Set - Ring .020              | 22       | *    |
| 66-0120  | Knob - Control              | 3        | 5    | 92-7276  | Set - Ring .030              | 22       | *    |
| 74-2470  | Decal - Switch Plate        | 40       | 10   | 92-7278  | Kit - Float Switch           | 23       | 11   |
| 76-1340  | Decal - Made in U.S.A.      | 40       | 18   | 92-7279  | Short Block                  | 20       | 1    |
| 76-1420  | Steering Wheel              | 9        | 12   | 92-7280  | Miniblock (w/Out Crankshaft) | 20       |      |
| 78-0020  | Meter - Hour                | 3        | 15   | 92-7281  | Decal - HP                   | 16       | 9    |
| 78-0020  | Meter - Hour                | 35       | 51   | 92-8708  | Transmission Assembly        | 27       | *    |
| 78-0080  | Clamp - Volt Meter          | 3        | 24   | 92-8747  | Decal - Attach-A-Matic       | 40       | 14   |
| 78-0080  | Clamp - Voltmeter, Back     | 35       | 22   | 92-8749  | Decal - Unidrive             | 40       | 13   |
| 78-0370  | Insert                      | 9        | 13   | 92-8749  | Decal - Unidrive             | 29       | 76   |
| 78-0760  | Seat                        | 7        | 4    | 92-8946  | Decal - Danger               | 4        | 10   |
| 78-1550  | Lever - Lift                | 33       | 19   | 92-8946  | Decal - Danger               | 40       | 20   |
| 78-2680  | Frame                       | 10       | 8    | 92-9511  | Line - Fuel 62"              | 6        | 26   |
| 78-2880  | Shaft - Lower               | 9        | 7    | 92-9824  | Decal - Hood LH              | 2        | *    |
| 78-2900  | Tie Rod Assembly, LH        | 9        | 27   | 92-9824  | Decal - Hood LH              | 40       |      |
| 78-2920  | Tie Rod End                 | 9        | 25   | 92-9825  | Decal - Hood RH              | 40       | 1    |
| 78-2970  | Arm - Clutch Idler          | 31       | 16   | 92-9825  | Decal - Hood RH              | 2        | 7    |
| 78-2990  | Plate - Seat Pivot          | 7        | 10   | 92-9826  | Decal - Front Hood           | 40       | 5    |
| 78-3010  | Bracket - Battery Support   | 4        | 1    | 92-9826  | Decal - Hood, Front          | 2        | 6    |
| 78-3020  | Plate - Front               | 4        | 17   | 92-9827  | Decal - Rear Fender          | 40       | 4    |
| 78-3240  | Spring - Gas                | 31       | 53   | 92-9829  | Decal - 314-8 Speed          | 40       | 11   |
| 78-3250  | Spacer                      | 31       | 60   | 92-9836  | Decal - Logo                 | 2        | 23   |
| 78-3260  | Spacer                      | 31       | 55   | 92-9837  | Decal - Danger               | 2        | 9    |
| 78-3320  | Clamp - Steel               | 3        | 26   | 92-9837  | Decal - Rear Hood Danger     | 40       | 8    |
| 78-7600  | Wheel Assembly - Front      | 38       | *    | 92-9845  | Solenoid                     | 35       | 24   |
| 79-0060  | Meter - Volt                | 3        | 16   | 93-1613  | Latch - Front Hitch          | 10       | 23   |
| 79-0060  | Voltmeter                   | 35       | 21   | 237-69   | "O"Ring                      | 9        | 10   |
| 79-3590  | Harness Assy - Wiring       | 35       | 5    | 2412-98  | Clamp                        | 6        | 19   |
| 79-4990  | Bracket - Fender Support    | 6        | 20   | 281-2    | Plug - Pipe, Sq. Hd.         | 27       | 7    |
| 83-2710  | Knob - Hi-Lo Range Shift    | 29       | 75   | 281-10   | Plug - Pipe, Allen Hd.       | 27       | 6    |
| 83-2720  | Bolt - Lug                  | 38       | 5    | 302-5    | Fitting - Grease             | 31       | 61   |
| 83-2890  | Bearing - Needle            | 27       | 17   | 302-5    | Fitting - Grease, Straight   | 9        | 34   |
| 83-3530  | Shaft - Cluster             | 29       | 39   | 321-2    | Screw                        | 18       | 13   |
| 83-6520  | Rod - Lock                  | 10       | 18   | 321-3    | Screw - Hex. Hd.             | 37       | 3    |
| 88-2170  | Bracket - Belt              | 4        | 3    | 321-3    | Screw - Hex. Hd.             | 29       | 83   |
| 88-2710  | Support - Steering Shaft    | 9        | 8    | 321-4    | Bolt                         | 5        | 8    |

\*Not Illustrated

# TORO PART NUMBER INDEX (Cont.)

| Part No. | Description      | Pg. Ref. |      | Part No.  | Description      | Pg. Ref. |       |
|----------|------------------|----------|------|-----------|------------------|----------|-------|
|          |                  | No.      | Qty. |           |                  | No.      | Qty.  |
| 321-8    | Bolt - Nylok     | 39       | 41 4 | 3256-21   | Washer           | 6        | 9 4   |
| 321-8    | Screw - Hex. Hd. | 7        | 13 2 | 3256-22   | Washer           | 37       | 5 4   |
| 321-9    | Screw - Hex. Hd. | 31       | 59 1 | 3256-22   | Washer           | 7        | 12 2  |
| 321-31   | Screw - Hex. Hd. | 31       | 54 1 | 3256-22   | Washer           | 2        | 14 3  |
| 322-1    | Bolt             | 9        | 28 1 | 3256-22   | Washer           | 39       | 22 2  |
| 322-2    | Bolt             | 6        | 18 5 | 3256-22   | Washer           | 31       | 56 2  |
| 322-2    | Screw - Hex. Hd. | 37       | 12 1 | 3256-23   | Washer           | 11       | 3 1   |
| 322-3    | Bolt             | 6        | 23 6 | 3256-23   | Washer           | 7        | 6 4   |
| 322-4    | Screw - Hex. Hd. | 7        | 18 6 | 3256-23   | Washer           | 33       | 25 3  |
| 322-5    | Screw - Hex. Hd. | 7        | 8 4  | 3256-23   | Washer           | 6        | 25 2  |
| 322-5    | Screw - Hex. Hd. | 6        | 29 2 | 3256-24   | Washer           | 31       | 38 2  |
| 322-5    | Screw - Hex. Hd. | 33       | 38 3 | 3256-25   | Washer           | 25       | 13 3  |
| 322-6    | Screw - Hex. Hd. | 33       | 24 1 | 3256-25   | Washer           | 33       | 55 1  |
| 323-5    | Bolt             | 10       | 6 4  | 3256-26   | Washer           | 31       | 25 1  |
| 323-6    | Bolt             | 9        | 6 2  | 3256-26   | Washer - Flat    | 10       | 15 1  |
| 323-6    | Bolt             | 11       | 13 2 | 3256-27   | Washer           | 39       | 48 1  |
| 323-7    | Screw - Hex. Hd. | 39       | 16 1 | 3256-62   | Washer           | 33       | 15 2  |
| 323-8    | Bolt             | 11       | 17 2 | 3272-1    | Pin - Cotter     | 2        | 21 2  |
| 323-8    | Bolt             | 9        | 19 2 | 3272-6    | Pin - Cotter     | 31       | 15 1  |
| 323-9    | Screw Hex. Hd.   | 31       | 37 1 | 3272-10   | Pin - Cotter     | 39       | 7 3   |
| 323-11   | Screw - Hex. Hd. | 27       | 4 5  | 3272-10   | Pin - Cotter     | 31       | 20 3  |
| 323-16   | Screw - Hex. Hd. | 27       | 3 1  | 3272-10   | Pin - Cotter     | 33       | 35 1  |
| 323-44   | Screw - Hex. Hd. | 10       | 16 6 | 3272-17   | Pin - Cotter     | 38       | 19 2  |
| 324-5    | Bolt             | 25       | 11 3 | 3272-19   | Pin - Cotter     | 9        | 23 1  |
| 3217-5   | Nut              | 29       | 48 1 | 3272-21   | Pin - Cotter     | 9        | 18 1  |
| 3217-27  | Nut - Hex        | 3        | 28 1 | 3296-6    | Nut              | 9        | 24 4  |
| 3218-1   | Nut              | 39       | 21 2 | 3296-27   | Nut              | 6        | 7 4   |
| 3218-1   | Nut              | 35       | 50 2 | 3296-29   | Nut              | 5        | 16 11 |
| 3218-3   | Nut              | 38       | 10 4 | 3296-29   | Nut              | 6        | 22 6  |
| 3219-3   | Nut              | 9        | 26 1 | 3296-29   | Nut              | 33       | 44 4  |
| 3229-25  | Bolt - Carriage  | 2        | 20 4 | 3296-29   | Nut - Lock       | 5        | 2 7   |
| 3229-25  | Bolt - Carriage  | 39       | 24 2 | 3296-29   | Nut - Lock       | 7        | 3 6   |
| 3230-1   |                  | 5        | 25 1 | 3296-39   | Nut              | 10       | 2 9   |
| 3231-25  | Bolt - Carriage  | 10       | 5 3  | 3296-39   | Nut              | 27       | 5 6   |
| 3235-22  | Screw - Hex. Hd. | 6        | 28 1 | 3296-39   | Nut              | 39       | 19 1  |
| 3242-2   | Screw - Set      | 25       | 5 2  | 3296-39   | Nut              | 31       | 32 1  |
| 3243-5   | Screw - Set      | 38       | 9 4  | 3296-39   | Nut              | 33       | 56 1  |
| 3245-32  | Screw - Set      | 31       | 11 3 | 3296-39   | Nut              | 11       | 12 2  |
| 3246-2   | Screw - Set      | 25       | 2 2  | 3296-39   | Nut - Lock       | 9        | 4 4   |
| 3253-3   | Washer - Lock    | 37       | 15 2 | 3296-42   | Nut              | 5        | 5 1   |
| 3253-3   | Washer - Lock    | 39       | 47 1 | 3296-42   | Nut              | 2        | 12 4  |
| 3253-3   | Washer - Lock    | 29       | 82 2 | 3296-42   | Nut              | 37       | 14 2  |
| 3253-3   | Washer - Lock    | 35       | 49 2 | 3296-42   | Nut              | 31       | 58 2  |
| 3253-4   | Washer           | 11       | 2 1  | 3296-42   | Nut - Lock       | 7        | 15 2  |
| 3253-4   | Washer - Lock    | 7        | 2 4  | 32103-22  | Nut - Wing       | 37       | 4 4   |
| 3253-4   | Washer - Lock    | 6        | 17 1 | 32120-47  | Ring - Retaining | 33       | 29 1  |
| 3253-4   | Washer - Lock    | 9        | 29 1 | 32120-62  | Ring - Retaining | 39       | 35 1  |
| 3253-6   | Washer - Lock    | 25       | 12 3 | 32120-72  | Ring - Retaining | 39       | 34 2  |
| 3253-21  | Washer - Lock    | 10       | 7 4  | 32120-93  | Ring - Retaining | 9        | 2 2   |
| 3253-21  | Washer - Lock    | 11       | 14 1 | 32121-25  | Pin - Roll       | 33       | 48 1  |
| 3254-1   | Washer - Lock    | 6        | 10 4 | 32121-103 | Pin - Spirol     | 33       | 47 1  |
| 3254-2   | Washer - Intl. T | 2        | 13 1 | 32121-111 | Pin - Spirol     | 9        | 14 1  |
| 3254-2   | Washer - Intl. T | 35       | 42 1 | 32136-5   | Nut - Slotted    | 9        | 20 1  |
| 3255-25  | Washer - Lock    | 3        | 27 1 | 32146-2   | Nut              | 31       | 44 1  |
| 3256-4   | Washer           | 6        | 2 2  | 32151-11  | Ring - Grip      | 39       | 3 1   |
| 3256-5   | Washer           | 33       | 36 1 | 32151-91  | Retainer         | 33       | 17 1  |

\*Not Illustrated



In an effort to make improvements available to TORO owners as quickly as possible, minor changes are incorporated into Toro's products from time to time that do not become immediately shown in the Parts Catalog. If such a change has been made in your unit, which is not reflected in your manual, see your TORO Distributor or his Authorized TORO Service Dealer for information and part numbers.

## IDENTIFICATION AND ORDERING

### MODEL AND SERIAL NUMBERS

The two identification numbers; a model number and a serial number. The two numbers are stamped on a plate which is located on the main frame under the seat. In any correspondence concerning the Product, supply model and serial numbers to assure that correct information and replacement parts are obtained.

To order replacement parts from an Authorized TORO Service Dealer, supply the following information:

1. Model and serial number .
2. Part number, description, and the quantity of part(s) desired.

**NOTE:** Do not order by reference number if a parts catalog is being used; use the PART NUMBER.

## TABLE OF CONTENTS

| Description                   | Page | Description                                   | Page  |
|-------------------------------|------|---|-------|
| Hood Assembly .....           | 2    | Breather And Vent .....                       | 19    |
| Control Panel .....           | 3    | Crankcase And Cylinder Head .....             | 20    |
| Hood Stand And Supports ..... | 4    | Camshaft, Crankshaft And Valves .....         | 21    |
| Belt Guard & Footrest .....   | 5    | Piston And Rings .....                        | 22    |
| Fender And Supports .....     | 6    | Oil Pan And Dipstick .....                    | 23    |
| Seat .....                    | 7    | Starter .....                                 | 24    |
| Front Axle and Steering ..... | 8    | Drive Belt And Pulleys .....                  | 25    |
| Frame & Hitches .....         | 10   | Mechanical Transmission 8-Speed .....         | 26-29 |
| Kohler Engine & Muffler ..... | 11   | Clutch, Brake and Speed Control Linkage ..... | 30    |
| Air Intake .....              | 12   | Manual Lift Linkage .....                     | 32    |
| Carburetors .....             | 13   | Electrical System .....                       | 34-36 |
| Fuel Pump .....               | 14   | Battery .....                                 | 37    |
| Governor Linkage .....        | 15   | Wheel And Tires .....                         | 38    |
| Baffles And Shrouds .....     | 16   | P.T.O. Clutch And Control .....               | 39    |
| Flywheel .....                | 17   | Decals .....                                  | 40    |
| Ignition System .....         | 18   | Numerical Parts List .....                    | 41    |

## Optional Equipment

| Description                              | Model / Part No. | Description                         | Model / Part No. |
|--|------------------|-------------------------------------|------------------|
| 36" Rear Discharge Deck .....            | 78305            | Wheel Weight, Rear Flush .....      | 81117            |
| 42" Side Discharge Deck .....            | 78345            | Tire Chains .....                   | 82522            |
| 42" Rear Discharge Deck .....            | 78350            | Clevis Hitch .....                  | 85518            |
| 42" Recycler .....                       | 78355            | Chrome Front LoGo Hub Cap .....     | 111427           |
| 36" Tiller .....                         | 79370            | Chrome Rear LoGo Hub Cap .....      | 114428           |
| 48" Dozer Blade .....                    | 79350            | Auxiliary Fuel Tank .....           | *83300           |
| 50" Grader Blade .....                   | 79351            | Kits                                |                  |
| 42" Single Stage Snowthrower .....       | 79360            | H.D. Spindles, Wheels & Tires ..... | 80494            |
| 11 cu. ft. Twin Bagger (42" Mower) ..... | 79301            | Recycler (42" R.D. Mower) .....     | 86001            |
| Wheel Weight, Rear .....                 | 81115            | Leaf Baffle (42" S.D. Mower) .....  | 85501            |

\* CAN NOT BE USED WITH CLEVIS HITCH OR REAR BAGGER