



## Super Bagger Lawn Mower

Model No. 20194 - 290000001 and up.

### Parts Catalog

---

#### **Ordering Replacement Parts**

To order replacement parts, please supply the part number, the quantity, and the description of each part desired.

#### **Understanding Reference Numbers**

Each identified part in an illustration has a reference number. The reference number for a part also appears in the parts list, along with other information about the part.

This catalog uses two special reference number formats, one to indicate parts in a service assembly and another to indicate the quantity of a given part in an illustration.

#### **Service Assembly Reference Numbers**

Parts in service assemblies have reference numbers in the form a:b. The a represents the reference number of the entire service assembly and the b represents a sequential number unique to each part within the service assembly.

For example, a wheel assembly might be identified by reference number 6, the tire by 6:1, the valve by 6:2, and the wheel by 6:3. When you order the assembly identified by reference number 6, you receive all parts identified by reference numbers 6:1, 6:2, and 6:3. However, you may also order any part individually. Reference numbers of this type appear in illustrations and in part lists.

#### **Reference Numbers Indicating Quantity**

In an illustration, if a reference number indicates more than one part, the reference number has the form nX y. The n represents the quantity of the part, the X is the multiplication symbol, and the y represents the reference number.

For example, in an illustration, the reference number 2X 37 means that two of the parts identified by reference number 37 are indicated.

# Contents

Description	Page	Description	Page
Deck Housing, Front Wheel and Rear Door Assembly	..... 3	Camshaft Pulley Assembly Honda GCV160A NBL1	..... 15
Side Discharge, Transmission and Rear Wheel Assembly	..... 4	Recoil Starter Assembly Honda GCV160A NBL1	..... 16
Upper Handle Assembly	..... 5	Fan Cover Assembly Honda GCV160A NBL1	..... 17
Lower Handle Assembly	..... 6	Carburetor Assembly Honda GCV160A NBL1	..... 18
Engine and Blade Assembly	..... 7	Air Cleaner Assembly Honda GCV160A NBL1	..... 19
Brake System Assembly	..... 8	Muffler Assembly Honda GCV160A NBL1	..... 20
Brake System Handle Assembly	..... 9	Flywheel Assembly Honda GCV160A NBL1	..... 21
Rear Bag Assembly	..... 10	Control Assembly Honda GCV160A NBL1	..... 22
Cylinder Assembly Honda GCV160A NBL1	..... 11	Top Cover Assembly Honda GCV160A NBL1	..... 23
Oil Pan Assembly Honda GCV160A NBL1	..... 12	Label Assembly Honda GCV160A NBL1	..... 24
Crankshaft Assembly Honda GCV160A NBL1	..... 13	Attachments and Accessories List	..... 25
Piston and Connecting Rod Assembly Honda GCV160A NBL1	..... 14		

## Part Description Abbreviations

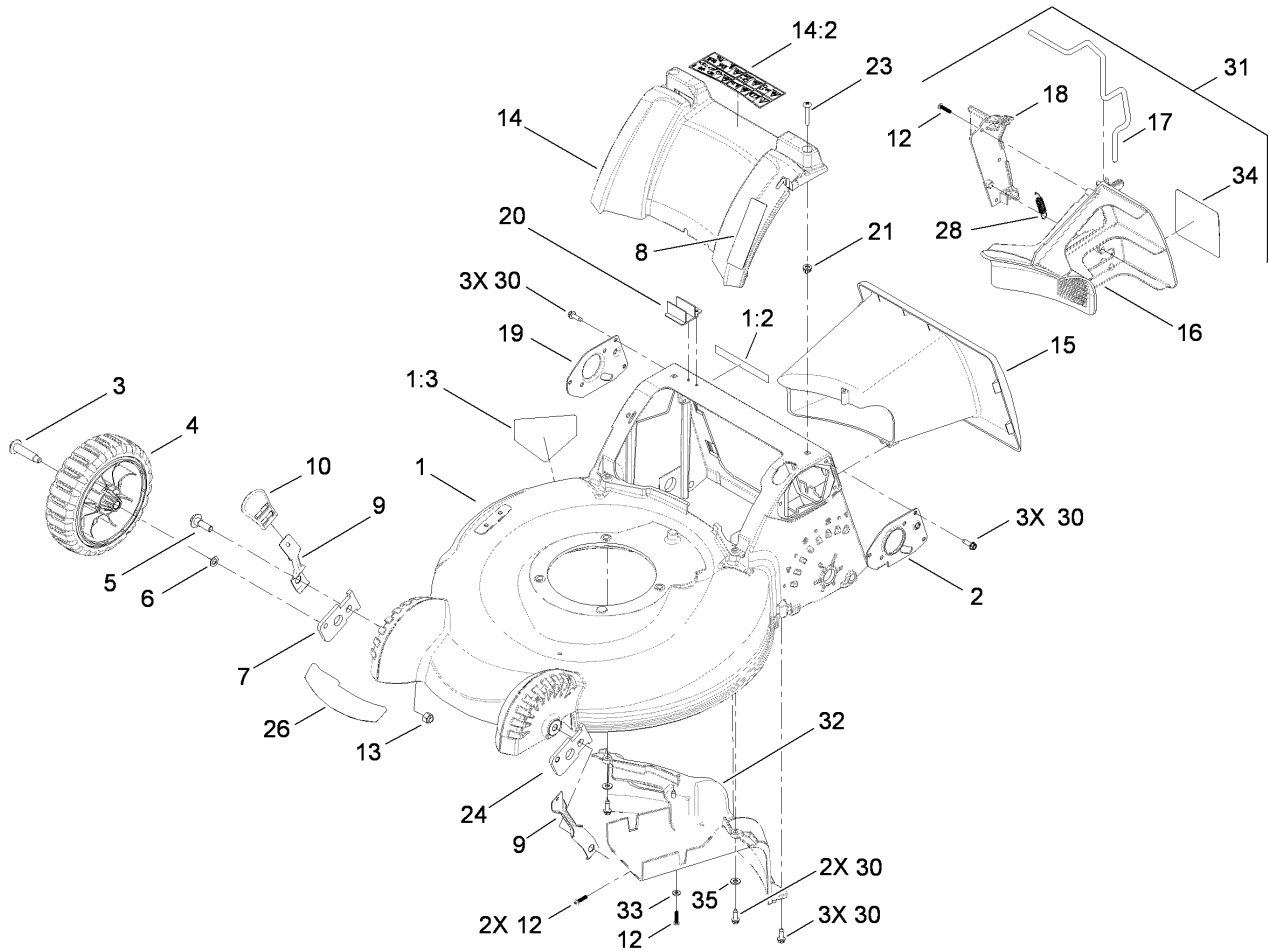
Part descriptions in this catalog may include the following abbreviations.

AR. .... as required	HWHTF. .... hex washer head thread forming
ASM. .... assembly	HYD. .... hydraulic
BBC. .... blade brake clutch	LH. .... left hand
CARR. .... carriage	NI. .... nylon insert
CCW. .... counter clock wise	NPTF. .... national pipe thread fine
CW. .... clockwise	PFH. .... phillips flat head
DEG. .... degrees	PPH. .... phillips pan head
ECM. .... electronic control module	PPHTF. .... phillips pan head thread forming
EXT. .... external	PRH. .... phillips round head
FH. .... flat head	PTH. .... phillips truss head
GA. .... gauge	PTO. .... power-take-off
HD. .... heavy-duty	RH. .... right hand
HF. .... hex flange	ROPS. .... roll-over protection system
HH. .... hex head	SFH. .... slotted fillister head
HHF. .... hex head flange	SHH. .... slotted hex head
HHFTF. .... hex head flange thread forming	SHWH. .... slotted hex washer head
HJ. .... hex jam	SPH. .... slotted pan head
HLH. .... hex lag head	SQH. .... square head
HOC. .... height-of-cut	SRH. .... slotted round head
HSBH. .... hex socket button head	STD. .... standard
HSFH. .... hex socket flat head	TAP. .... self tapping
HSH. .... hex socket head	TTH. .... torx truss head
HWH. .... hex washer head	

## Footnotes

❶ Not serviced separately

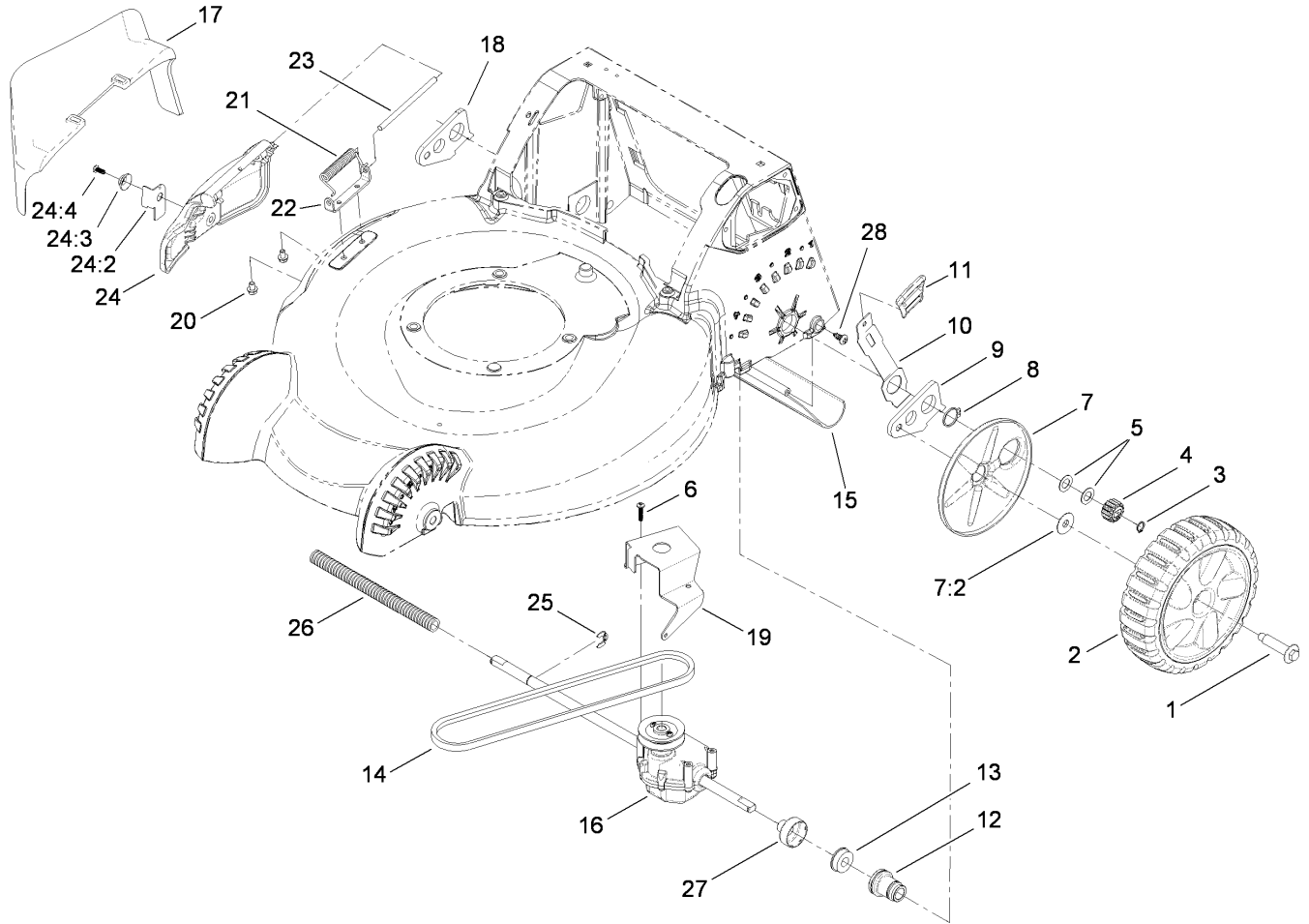
❷ Obtain parts from [www.honda-engines.com](http://www.honda-engines.com)



## Deck Housing, Front Wheel and Rear Door Assembly

Ref	Part No.	Qty.	Description
1	117-4167	1	Housing ASM
1:2	107-3889	1	Decal-Safety
1:3	94-8072	1	Decal-Danger
2	110-9415-03	1	Mount-Handle, LH
3	614650	2	Bolt-Shoulder
4	117-4103	2	8 Inch Wheel ASM
5	614672	2	Bolt-Shoulder
6	40-1940	2	Washer
7	110-9421	1	Arm-Pivot, RH
8	117-5902	1	Decal-Quick Stow
9	110-9434	2	Arm-Spring, Front
10	110-0549	2	Knob-HOC
11	94-8072	1	Decal-Danger
12	108-7476	6	Screw-Plastite
13	3296-39	2	Nut-Lock, NI
14	115-3177	1	Cover-Rear
14:2	114-2820	1	Decal-Warning
15	110-9455	1	Tunnel
16	110-9446	1	Plug-Mulch, LH
17	110-9448	1	Latch-Plug, Mulch
18	110-9447	1	Plug-Mulch, RH
19	110-9416-03	1	Mount-Handle, RH
20	117-5905	1	Module-Switch
21	94-1610	2	Nut-Clip
22	108-0965	2	Screw-PTH

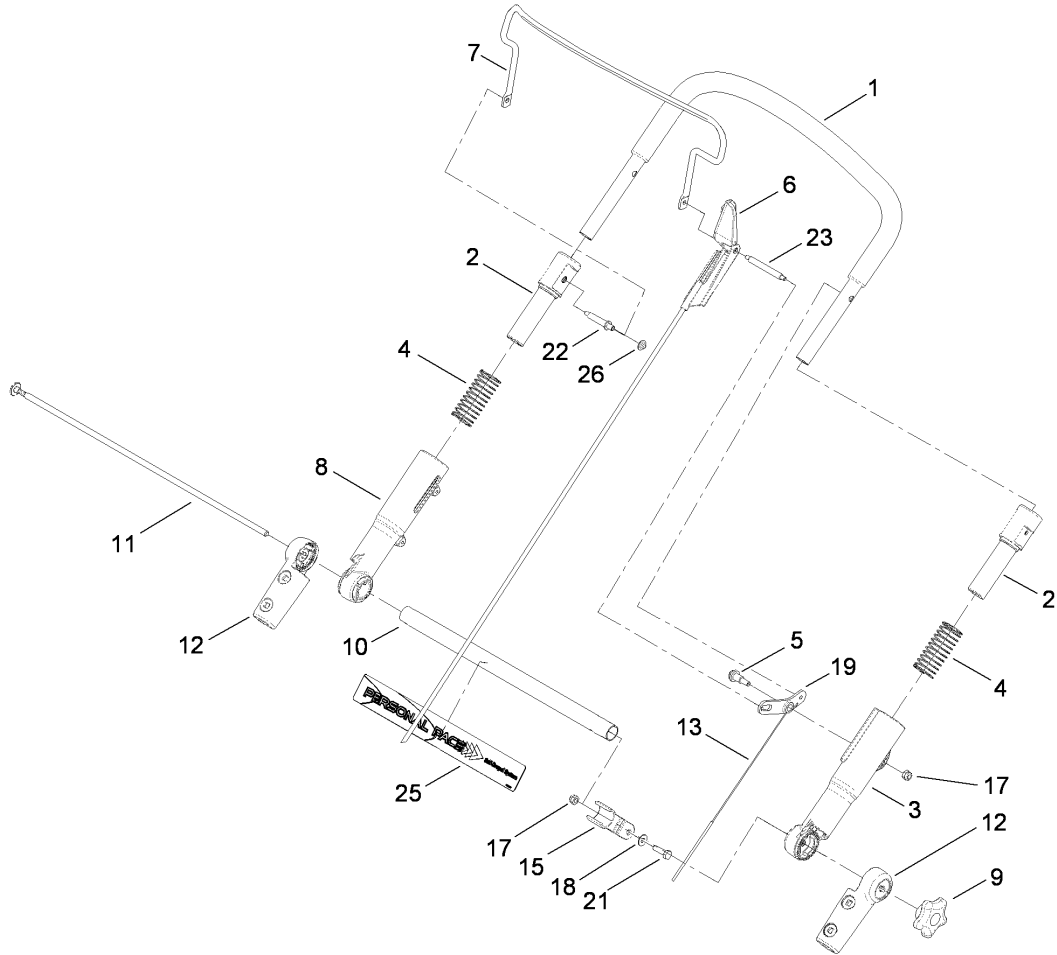
Ref	Part No.	Qty.	Description
23	108-0965	2	Screw-PTH
24	110-9420	1	Arm-Pivot, LH
26	117-4164	1	Decal-Super Bagger
28	110-9458	1	Spring-Extension
30	49-2040	11	Screw-HWHTF
31	110-9468	1	Mulch Plug ASM
32	110-9423	1	Baffle-Rear
33	3256-14	1	Washer-Flat
34	110-9457	1	Decal-Plug, Mulch
35	3256-22	2	Washer-Flat



## Side Discharge, Transmission and Rear Wheel Assembly

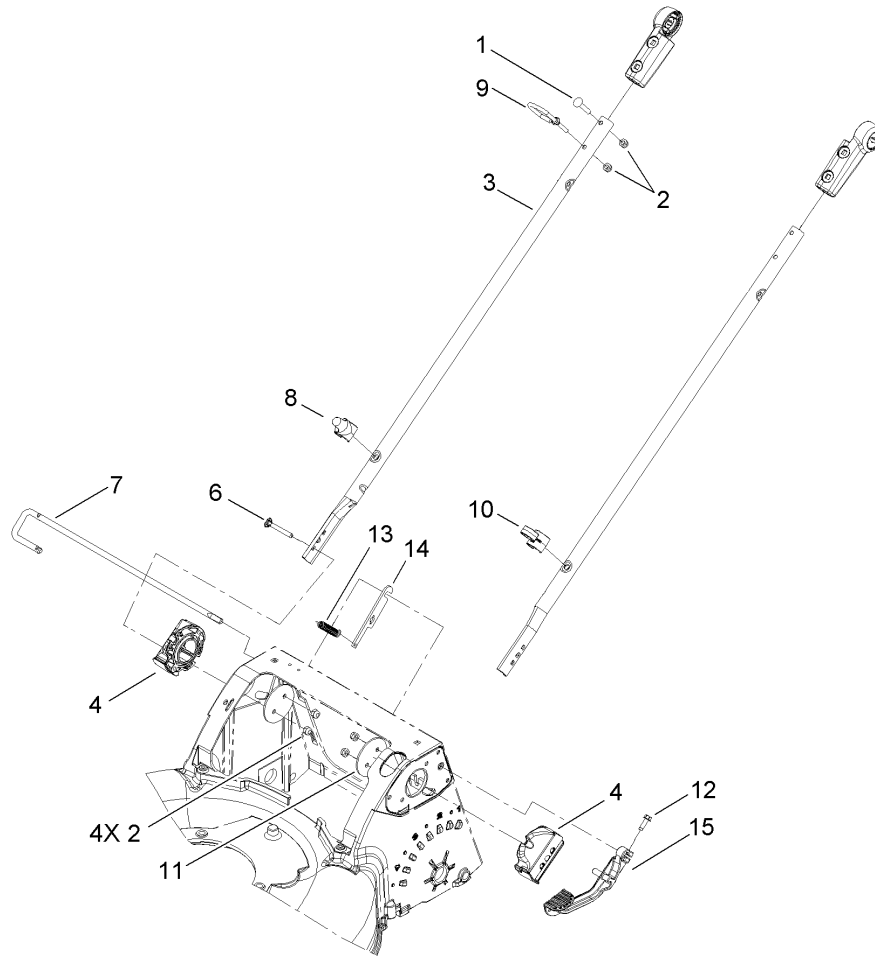
Ref	Part No.	Qty.	Description
1	614650	2	Bolt-Shoulder
2	117-4104	2	Rear Wheel ASM
3	32151-61	2	Ring-Retaining
4	110-9417	2	Pinion
5	36-4780	2	Washer-Plain
6	108-7476	3	Screw-Plastite
7	117-4197	2	Wheel Cover ASM
7:2	614426	1	Washer-Stepped
8	32151-36	2	Ring-Retaining
9	108-9344	1	Arm-Rear Pivot, LH
10	110-9445	2	Arm-Spring, Rear
11	110-0549	2	Knob-HOC
12	110-9422	2	Retainer-Bearing
13	104-8699	2	Bearing-Ball
14	110-9429	1	V-Belt
15	112-8768	1	Shield-Trailing
16	114-2812	1	Transmission ASM
17	105-3028	1	Chute-Discharge, Side
18	108-9343	1	Arm-Rear Pivot, RH
19	114-7977-03	1	Bracket-Transmission
20	99-8445	2	Screw-HWH
21	99-5293	1	Spring-Torsion
22	112-6416	1	Bracket-Cover
23	99-5291	1	Rod-Cover

Ref	Part No.	Qty.	Description
24	106-8376	1	Discharge Door ASM
24:2	107-0795	1	Latch-Door
24:3	107-7456	1	Cap-Door
24:4	107-7461	1	Screw-Plastite
25	65-2720	1	Ring-Clip, Locking
26	24-7922	1	Cover-Shaft, Drive
27	114-2755	2	Cap-Bearing
28	117-1092	2	Screw-PTH



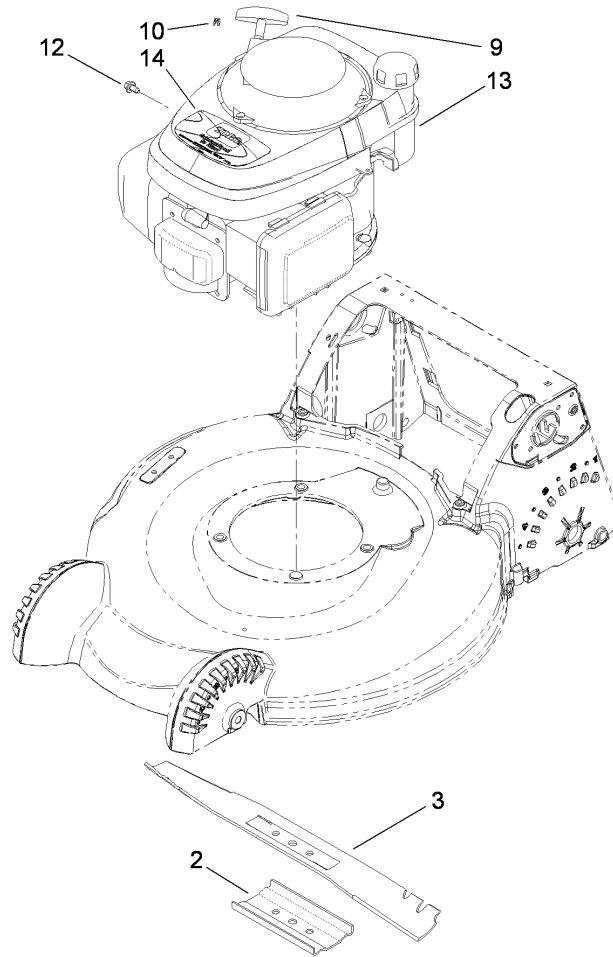
## Upper Handle Assembly

Ref	Part No.	Qty.	Description
1	108-0974	1	Upper Handle ASM
2	112-8754	2	Sleeve-Inner
3	112-1544	1	Sleeve-Outer, LH
4	107-3869	2	Spring-Compression
5	104-0858	1	Bolt-Shoulder
6	112-8764	1	Stop-Pivot
7	110-1819-03	1	Bail-Brake
8	112-1545	1	Sleeve-Outer, RH
9	106-4161	1	Knob-Handle
10	107-3867-03	1	Tube-Cross
11	107-3871	1	Rod-Threaded
12	107-3865	2	Mount-Handle, Lower
13	110-9465	1	Cable-Traction
15	112-8801	1	Clamp-Cable
17	3296-73	2	Nut-Lock, NI
18	3256-1	1	Washer-Flat
19	107-3893	1	Lever-Traction
21	321-5	1	Screw-HH
22	108-0959	1	Pin-Handle
23	108-1008	1	Pin-Bail, LH
25	117-5901	1	Decal-Personal Pace
26	108-9378	1	Retainer-Push On

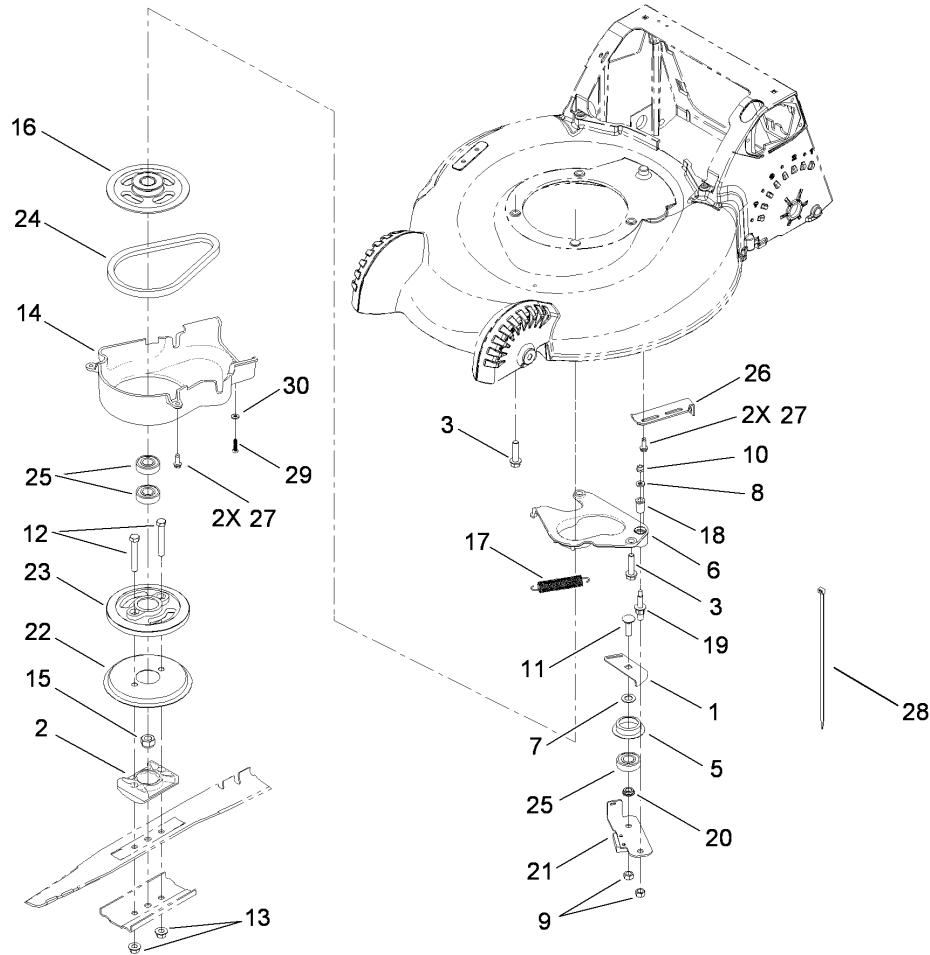
## Lower Handle Assembly

Ref	Part No.	Qty.	Description	
1	108-0988	3	Screw-CARR	
2	3296-73	8	Nut-Lock, NI	
3	107-3887-03	2	Tube-Lower	
4	114-2791	2	Mount-Handle, Lower	
6	95-4453	4	Screw	
7	112-8755	1	Rod-Release, Handle	
8	117-4141	1	Guide-Rope, Lower	
9	107-3908	1	Guide-Rope, Upper	
10	106-6805	1	Guide-Cable	
11	107-3944-03	2	Plate	
12	49-2040	1	Screw-HWHTF	
13	112-1542	1	Spring-Extension	
14	112-1539	1	Plate-Rod, Release	
15	110-1823-03	1	Lever-Release	



### Engine and Blade Assembly

Ref	Part No.	Qty.	Description				
2	108-3766-03	1	Support-Blade				
3	108-0954-03	1	Blade-21 Inch				
9	117-5949	1	Handle-Recoil				
10	92-1701	1	Stop-Rope				
12	98-1394	1	Screw-HWH				
13		1	Engine-Honda, Gcv160A Nbl1				
14	117-4163	1	Decal-Honda				

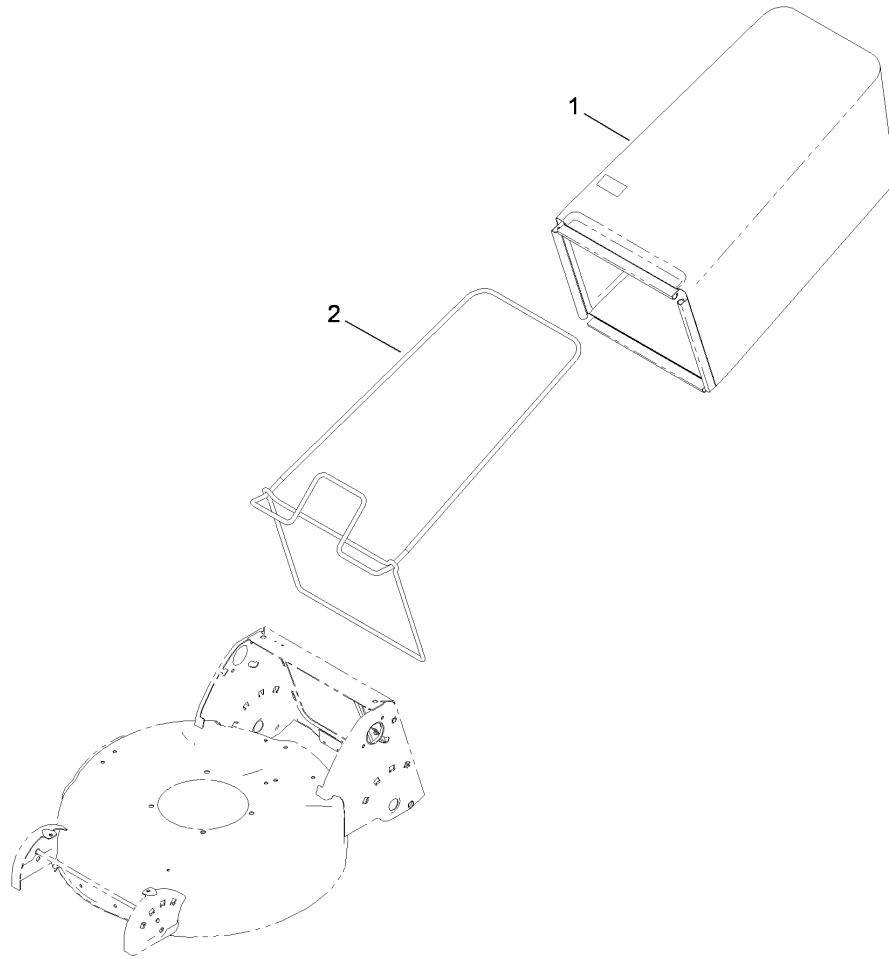


## Brake System Assembly

Ref	Part No.	Qty.	Description
1	107-7471	1	Plate-Guide
2	107-7487	1	Support-Blade
3	32144-102	3	Screw-HWH
5	108-3790	1	Retainer-Belt
6	107-0761	1	Plate-Anchor
7	605256	1	Washer
8	3256-16	1	Washer-Flat
9	603773	2	Nut
10	3296-73	1	Nut-Lock, NI
11	3231-25	1	Screw-CARR
12	3211-42	2	Screw-HH
13	54-9190	2	Nut-Lock
14	107-7488	1	Cover
15	108-9342	1	Nut-Hex
16	110-7456	1	Pulley
17	108-3792	1	Spring-Tension, Brake
18	107-0797	1	Bushing
19	107-0759	1	Bolt-Shoulder
20	107-0758	1	Spacer-Bearing
21	107-7477	1	Brake Arm ASM
22	108-3787	1	Disc
23	107-0754	1	Drum
24	110-1790	1	Belt-BBC
25	100-1048	3	Bearing-Ball

Ref	Part No.	Qty.	Description
26	110-9425-03	1	Bracket-Cable
27	49-2040	4	Screw-HWHTF
28	614249	1	Strap-Tie
29	108-7476	1	Screw-Plastite
30	3256-14	1	Washer-Flat

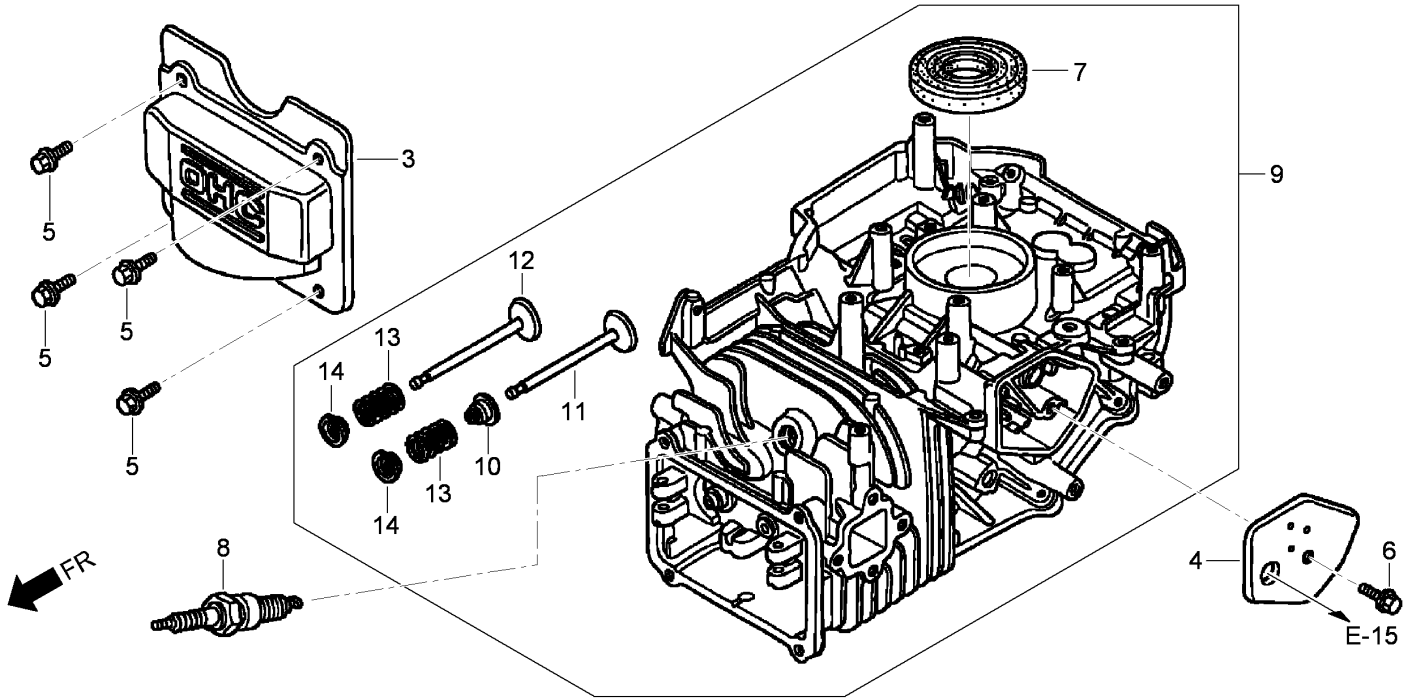




### Rear Bag Assembly

Ref	Part No.	Qty.	Description
1	117-4191	1	Grass Bag ASM
2	112-8750-03	1	Frame-Bag

--	--	--	--

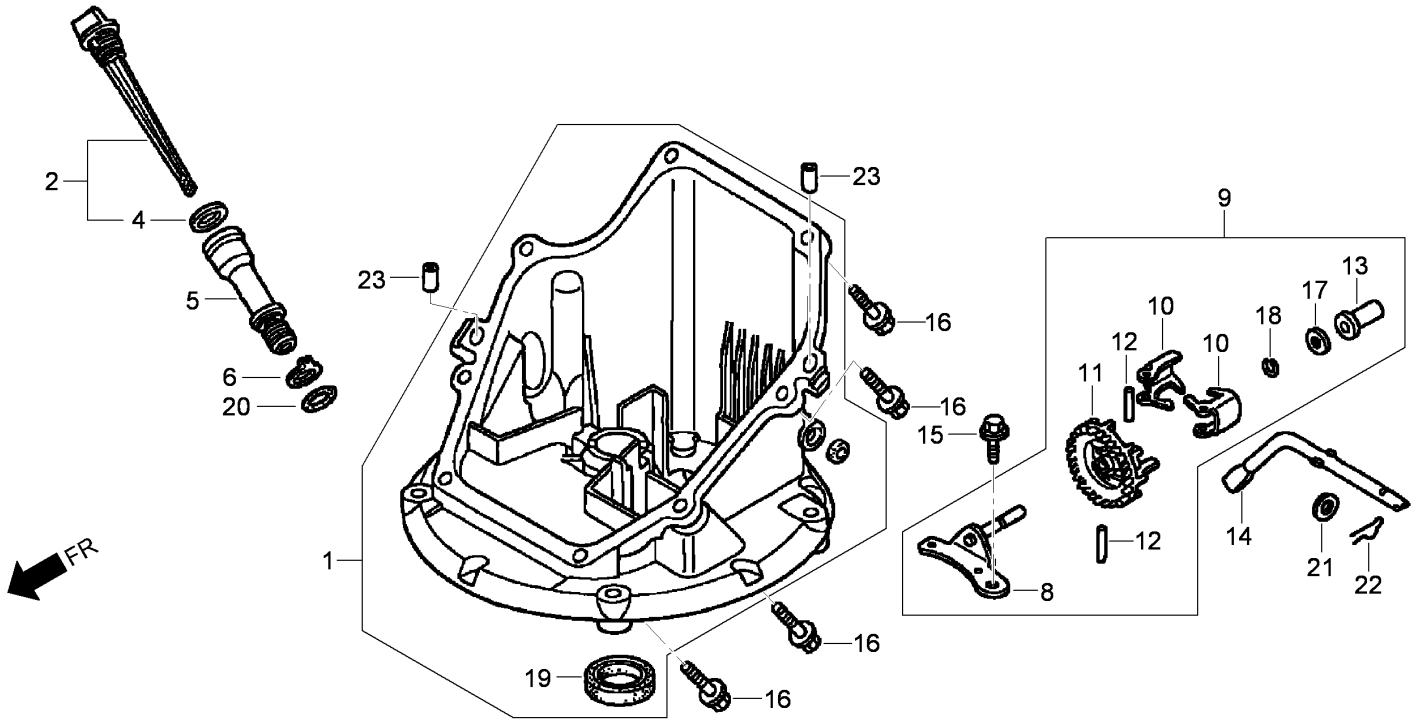


E-3

## Cylinder Assembly Honda GCV160A NBL1

Ref	Part No.	Qty.	Description
②3	12310-Z0J-000	1	Cover-Head, Cylinder
②3	12311-ZL8-D00	1	Cover-Head
②3	12311-ZL8-000	1	Cover-Head
②4	12355-ZL8-000	1	Cover-Breather (Breather Valve ASM)
②5	90013-883-000	4	Bolt-Flange (6X12) (C T200)
②6	90014-952-000	1	Bolt-Flange (6X14) (C T200)
②7	91201-ZL8-003	1	Seal (25.4X62X6)
②8	98079-56846	1	Spark Plug (B P R 6E S) (N G K)
②9	12000-Z0L-840	1	Cylinder ASM
②10	12209-ZM0-003	1	Seal-Stem, Valve
②11	14711-Z0J-000	1	Valve-Intake (Rocknel) (Engine Serial Numbers Up To 6330748)
②11	14711-Z0J-800	1	Valve-Intake (Engine Serial Numbers Starting At 6330749)
②12	14721-ZL8-000	1	Valve-Exhaust
②13	14751-ZL8-000	2	Spring-Valve

Ref	Part No.	Qty.	Description
②14	14771-Z0J-000	2	Retainer-Spring, Valve



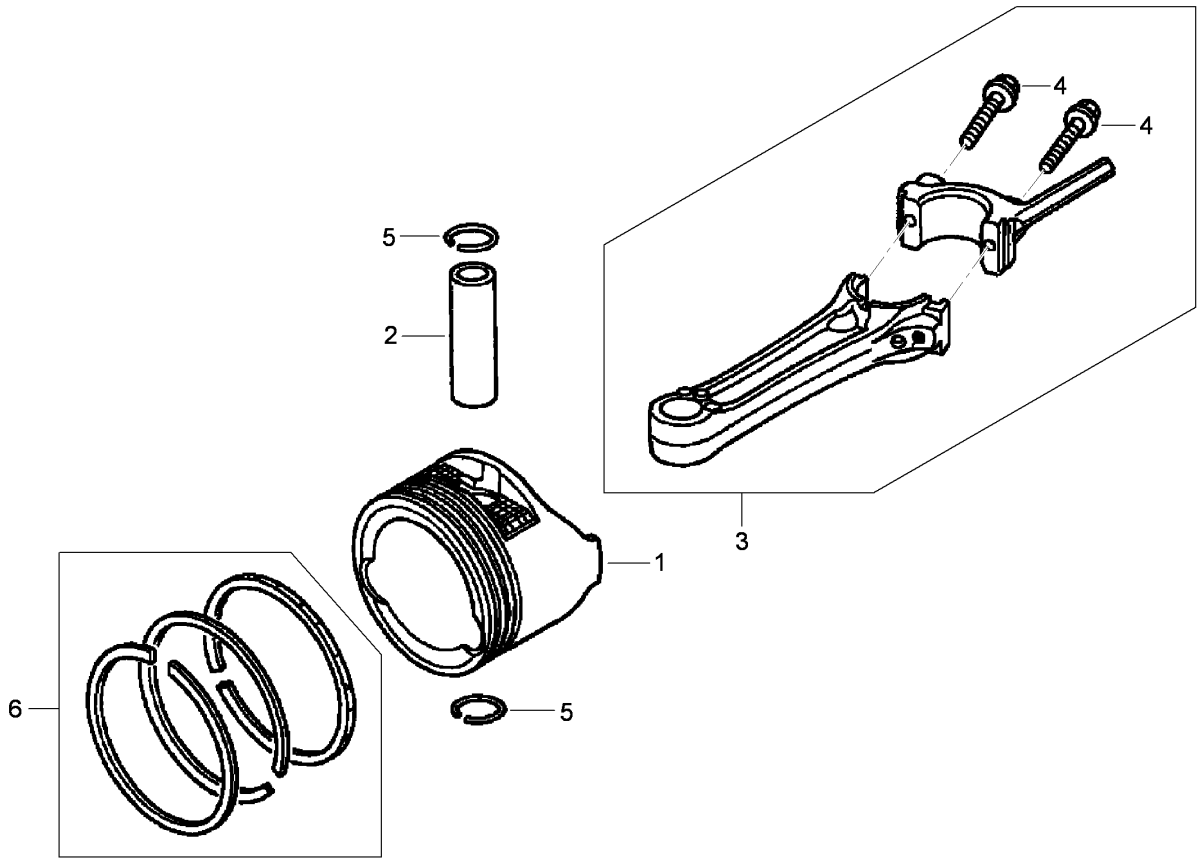
E-6

## Oil Pan Assembly Honda GCV160A NBL1

Ref	Part No.	Qty.	Description
②1	11300-ZM0-811	1	Oil Pan ASM
②2	15650-ZM0-801	1	Oil Level Gauge ASM
②4	15625-ZE6-000	1	Gasket-Cap, Oil Filler
②5	15631-ZM0-000	1	Extension-Filler, Oil
②6	15639-ZM0-000	1	Washer-Lock, Extension
②8	16508-ZM0-010	1	Shaft-Holder, Governor
②9	16510-ZM0-010	1	Governor ASM
②10	16511-ZL8-000	2	Weight-Governor
②11	16512-ZM0-000	1	Holder-Weight, Governor
②12	16513-ZE1-000	2	Pin-Weight, Governor
②13	16531-ZE1-000	1	Slider-Governor
②14	16541-ZM0-000	1	Shaft-Arm, Governor
②15	90014-952-000	1	Bolt-Flange (6X14) (C T200)

Ref	Part No.	Qty.	Description
②16	90121-952-000	8	Bolt-Flange (6X25) (C T 200)
②17	90451-ZE1-000	1	Washer-Thrust (6Mm)
②18	90602-ZE1-000	1	Clip-Holder, Governor
②19	91202-ZL8-003	1	Seal-Oil (28X41.25X6)
②20	91356-MA6-005	1	O-Ring (14.8X24) (N O K)
②21	94101-06800	1	Washer-Plain (6Mm)
②22	94251-08000	1	Pin-Lock (8Mm)
②23	94301-08200	2	Pin-Dowel (8X20)



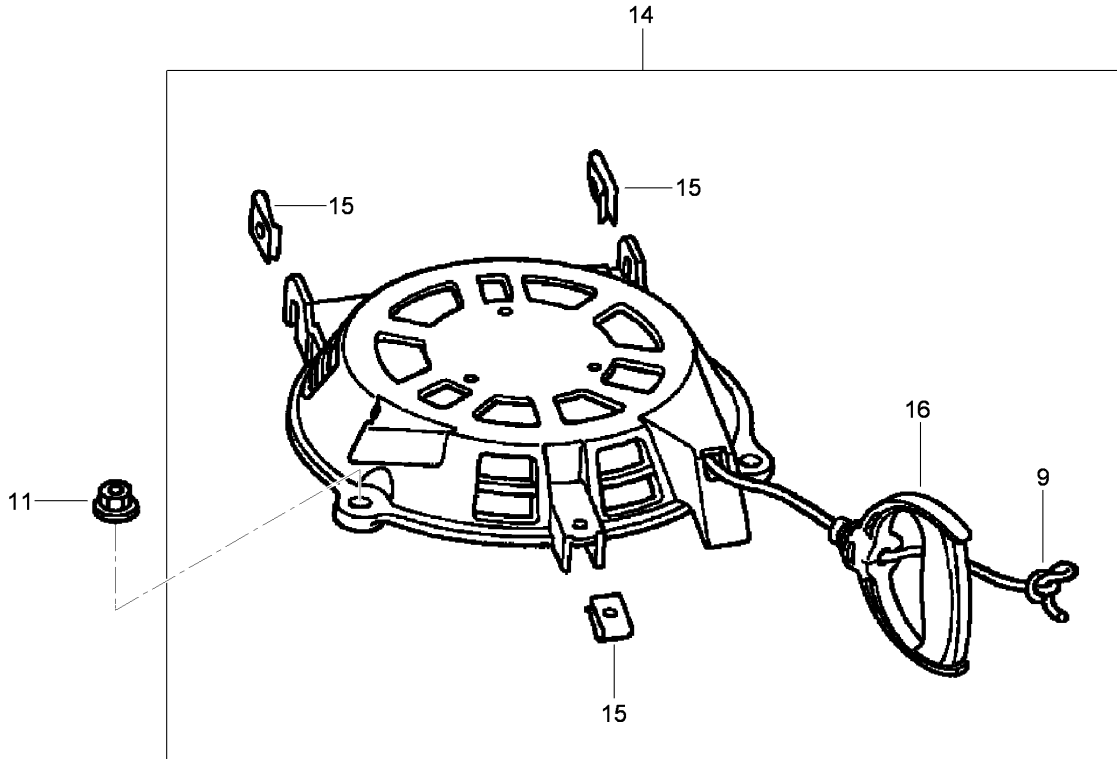


E-8

## Piston and Connecting Rod Assembly Honda GCV160A NBL1

Ref	Part No.	Qty.	Description
②1	13101-ZL8-000	1	Piston (Engine Serial Numbers Up To 5383514)
②1	13101-Z2A-000	1	Piston (Engine Serial Numbers Up To 5383514)
②1	13101-Z2A-010	1	Piston (Engine Serial Numbers Starting At 5383515)
②2	13111-ZE0-000	1	Pin-Piston
②3	13200-ZL8-000	1	Connecting Rod ASM
②4	90001-ZE1-000	2	Bolt-Rod, Connecting
②5	90551-ZE0-000	2	Clip-Pin, Piston (13Mm)
②6	13010-ZL8-003	1	Piston Ring Set (Riken) (Engine Serial Numbers Up To 5383514)
②6	13010-ZL8-024	1	Piston Ring Set (Teikoku) (Engine Serial Numbers Up To 5383514)
②6	13010-Z0L-003	1	Piston Ring Set (Riken) (Engine Serial Numbers Up To 5383514)
②6	13010-Z0L-004	1	Piston Ring Set (STD) (Teikoku) (Engine Serial Numbers Up To 5383514)
②6	13010-Z0L-014	1	Piston Ring Set (STD) (Teikoku) (Engine Serial Numbers Starting At 5383515)



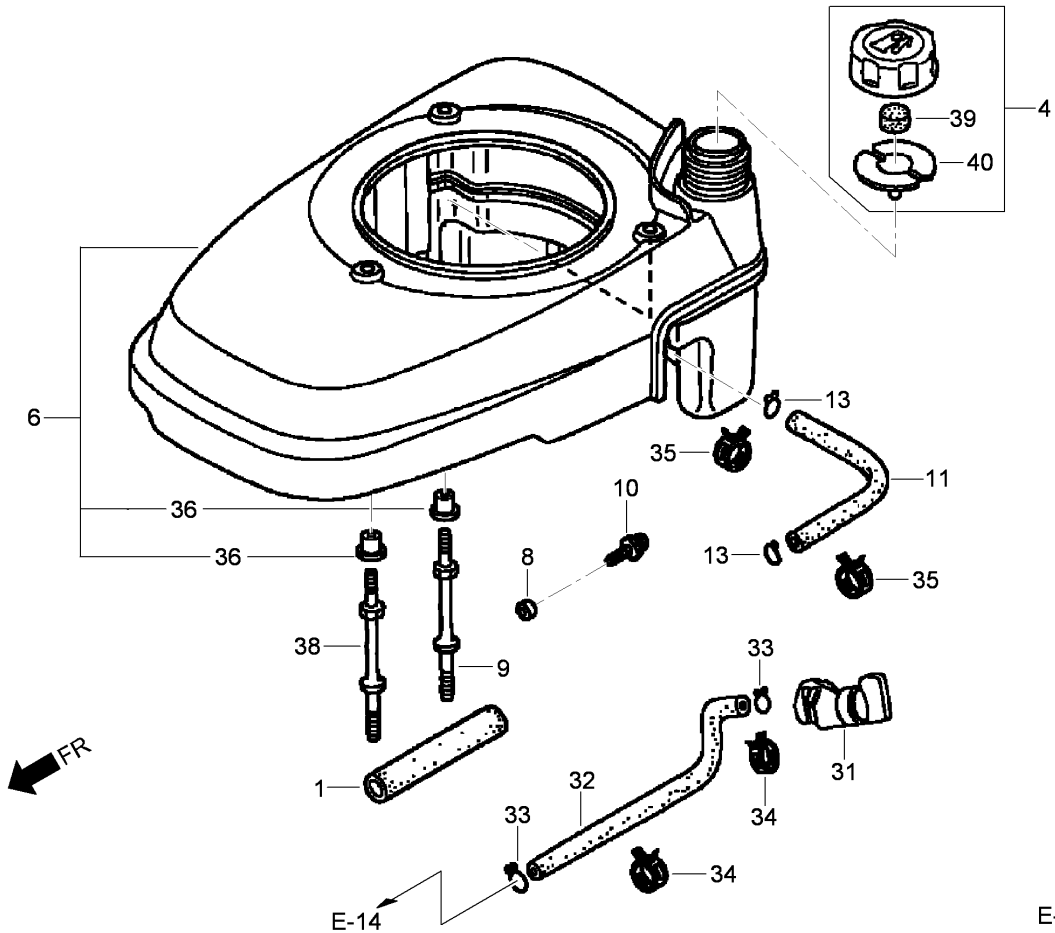



E-11

## Recoil Starter Assembly Honda GCV160A NBL1

Ref	Part No.	Qty.	Description
9	28462-Z0L-V71	1	Rope-Starter, Recoil (Long Type)
11	90201-ZM0-000	3	Nut-Flange (6Mm)
14	28400-Z0L-V72	1	Recoil Starter ASM (Long Rope)
15	66871-KY2-700	3	Nut-Cowl
16	28461-Z0L-V71	1	Knob-Starter, Recoil

--	--	--	--

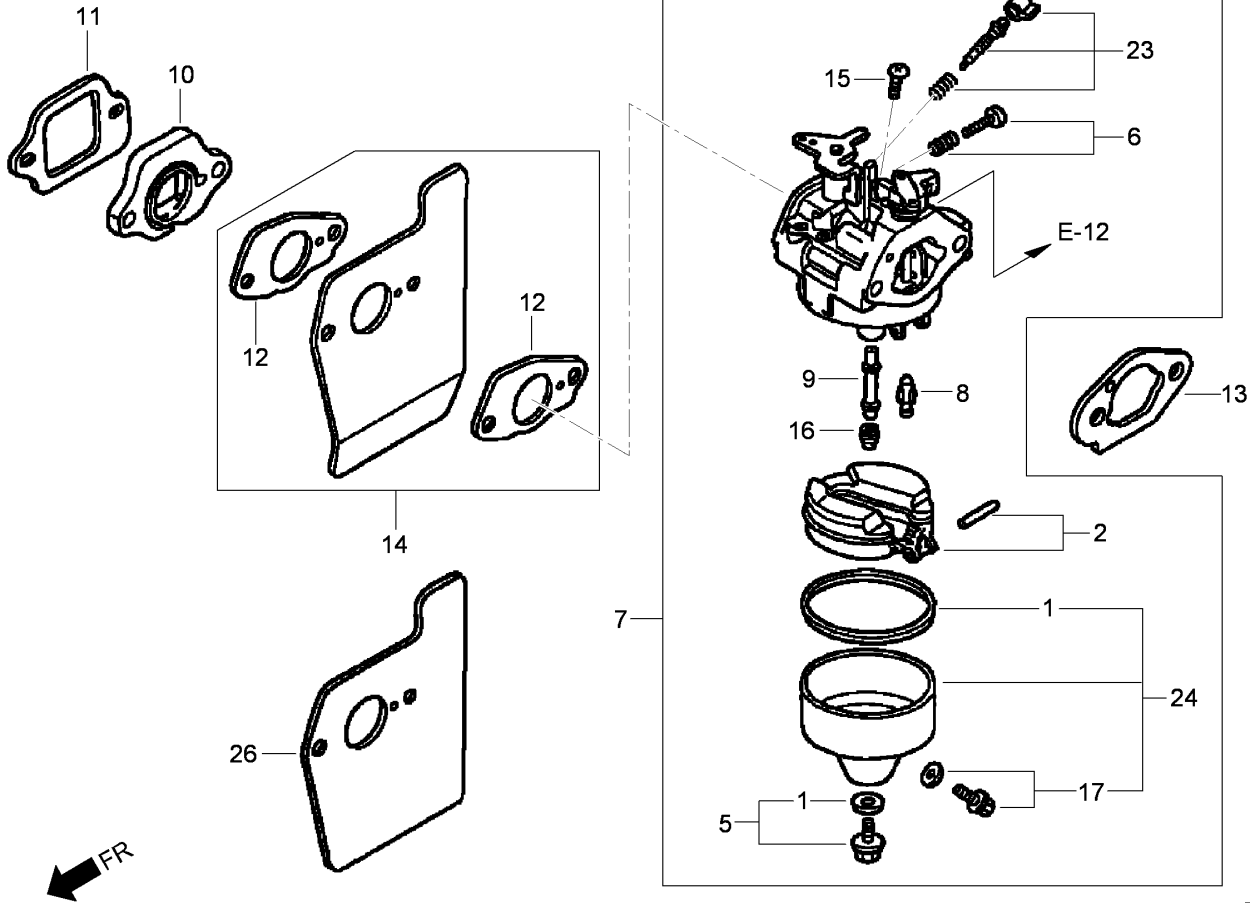


E-12

## Fan Cover Assembly Honda GCV160A NBL1

Ref	Part No.	Qty.	Description
●1	16854-ZH8-000	1	Supporter-Rubber (107 Mm)
●4	17620-ZL8-013	1	Fuel Tank Cap ASM
●6	19610-Z0L-000ZA	1	Cover-Fan, N H1 (Black)
●8	33609-GK4-620	1	Collar-Turn Signal, Front
●9	90043-ZL8-000	2	Bolt-Stud (H=42.5Mm)
●10	93891-05010-08	1	Screw-Washer (5X10)
●11	91425-Z0L-801	1	Tube-Fuel (5.3X150) (Fkm) (Engine Serial Numbers Starting At 3698327)
●11	95001-55003-60M	1	Hose-Fuel, Bulk (5.5X3000) (5.5X100) (Engine Serial Numbers Up To 3698326)
●13	95002-02100	2	Clip-Tube (B10) (Engine Serial Numbers Up To 3698326)
●31	16950-ZM0-003	1	Petcock ASM
●32	17702-ZM0-800	1	Tube-Fuel (Engine Serial Numbers Up To 3698326)
●32	17702-Z0L-801	1	Tube-Fuel (Fkm) (Engine Serial Numbers Starting At 3698327)
●33	95002-02080	2	Clip-Tube (B8) (Engine Serial Numbers Up To 3698326)

Ref	Part No.	Qty.	Description
●34	95002-40800-08	2	Clamp-Tube (D8) (Engine Serial Numbers Starting At 3698327)
●35	95002-41000-08	2	Clamp-Tube (D10) (Engine Serial Numbers Starting At 3698327)
●36	19619-ZL8-300	3	Collar-Cover, Fan
●38	90043-ZL8-000	1	Bolt-Stud (H=42.5Mm)
●39	17622-ZL8-003	1	Sponge-Breather, Fuel Cap
●40	17624-ZL8-003	1	Gasket-Cap, Fuel

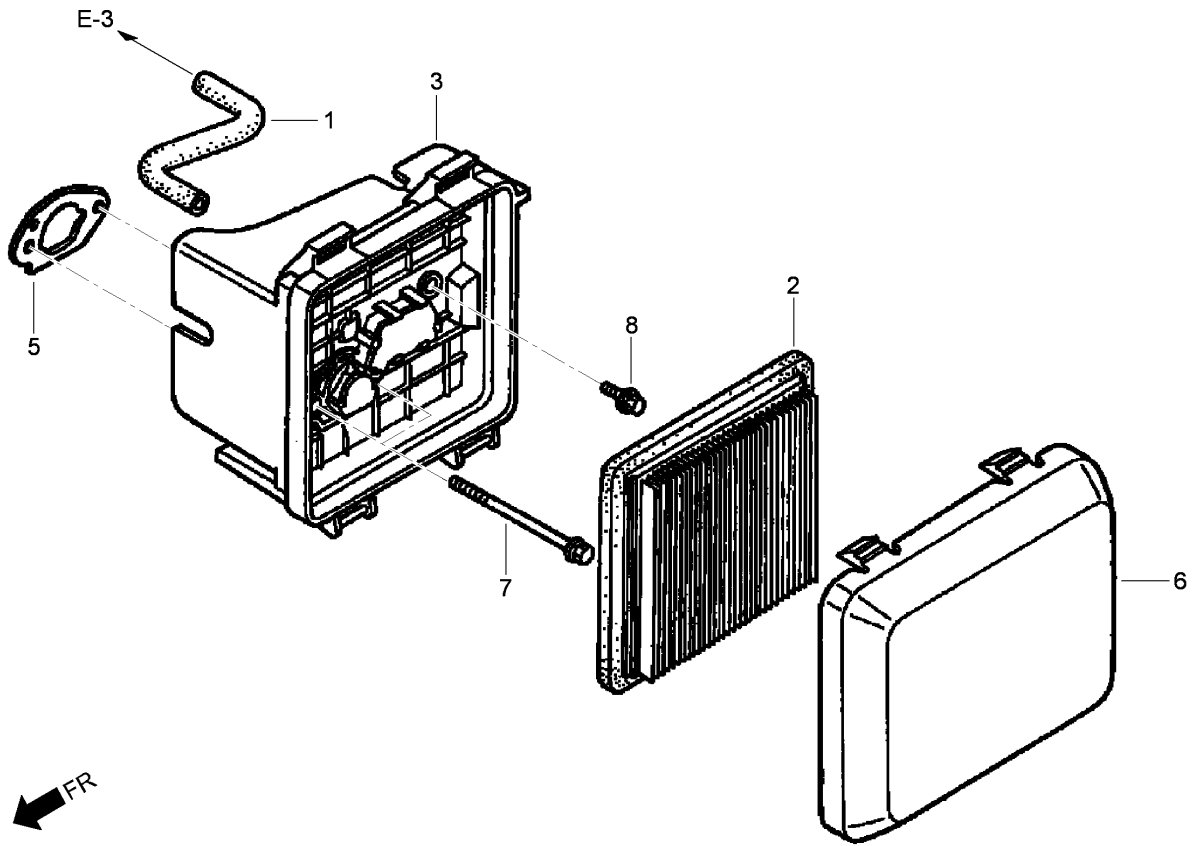


## Carburetor Assembly Honda GCV160A NBL1

E-14

Ref	Part No.	Qty.	Description
①	16010-883-015	1	Gasket Set
②	16013-ZL1-003	1	Float Set
⑤	16028-ZE0-005	1	Screw Set
⑤	16028-ZK7-S91	1	Screw Set
⑥	16029-ZG0-901	1	Screw Set (Throttle Stop)
⑦	16100-ZM0-804	1	Carburetor ASM (B B62B E) (Engine Serial Numbers Up To 3698326)
⑦	16100-Z0L-003	1	Carburetor ASM (B B62W A) (Engine Serial Numbers Starting At 3698327)
⑧	16155-ZM0-013	1	Valve-Float
⑨	16166-ZM0-003	1	Nozzle-Main
⑩	16211-ZL8-000	1	Insulator-Carburetor
⑪	16212-ZL8-000	1	Gasket-Insulator
⑫	16221-883-800	2	Gasket-Carburetor (Engine Serial Numbers Up To 6349022)
⑬	16228-ZL8-000	1	Gasket-Carburetor

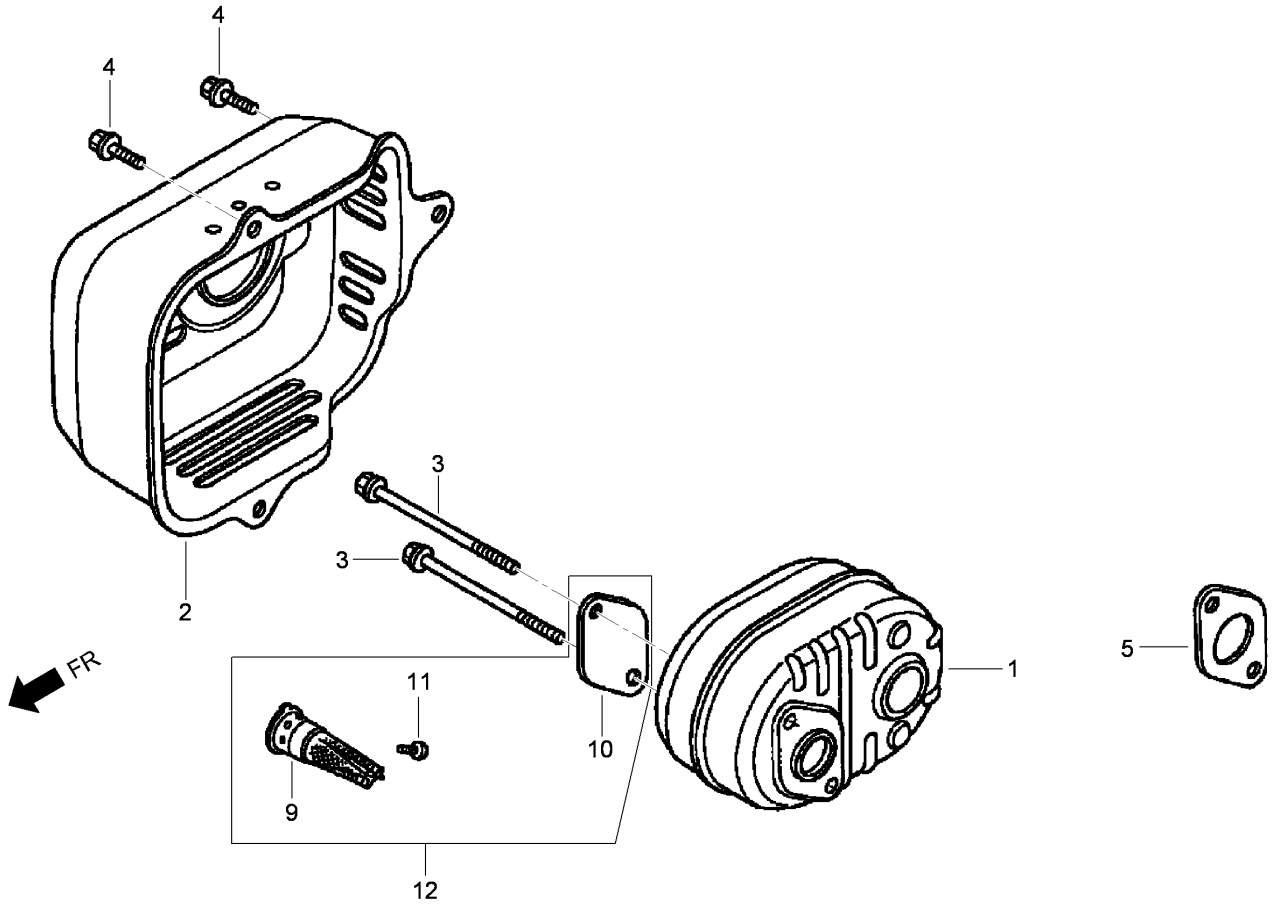
Ref	Part No.	Qty.	Description
⑭	19650-ZM0-000	1	Guide-Air (Engine Serial Numbers Up To 6349022)
⑮	93500-05006-0H	1	Screw-Pan (5X6)
⑯	99101-124-0600	1	Jet-Main (No.60) (Optional Equipment)
⑯	99101-124-0620	1	Jet-Main (No.62) (Optional Equipment)
⑯	99101-124-0650	1	Jet-Main (No.65)
⑰	16024-ZE1-811	1	Drain Screw Set
⑳	16016-ZG0-W00	1	Screw Set
㉑	16015-887-782	1	Float Chamber Set
㉒	19651-Z0L-000	1	Guide-Air (Engine Serial Numbers Starting At 6349023)



E-15

## Air Cleaner Assembly Honda GCV160A NBL1

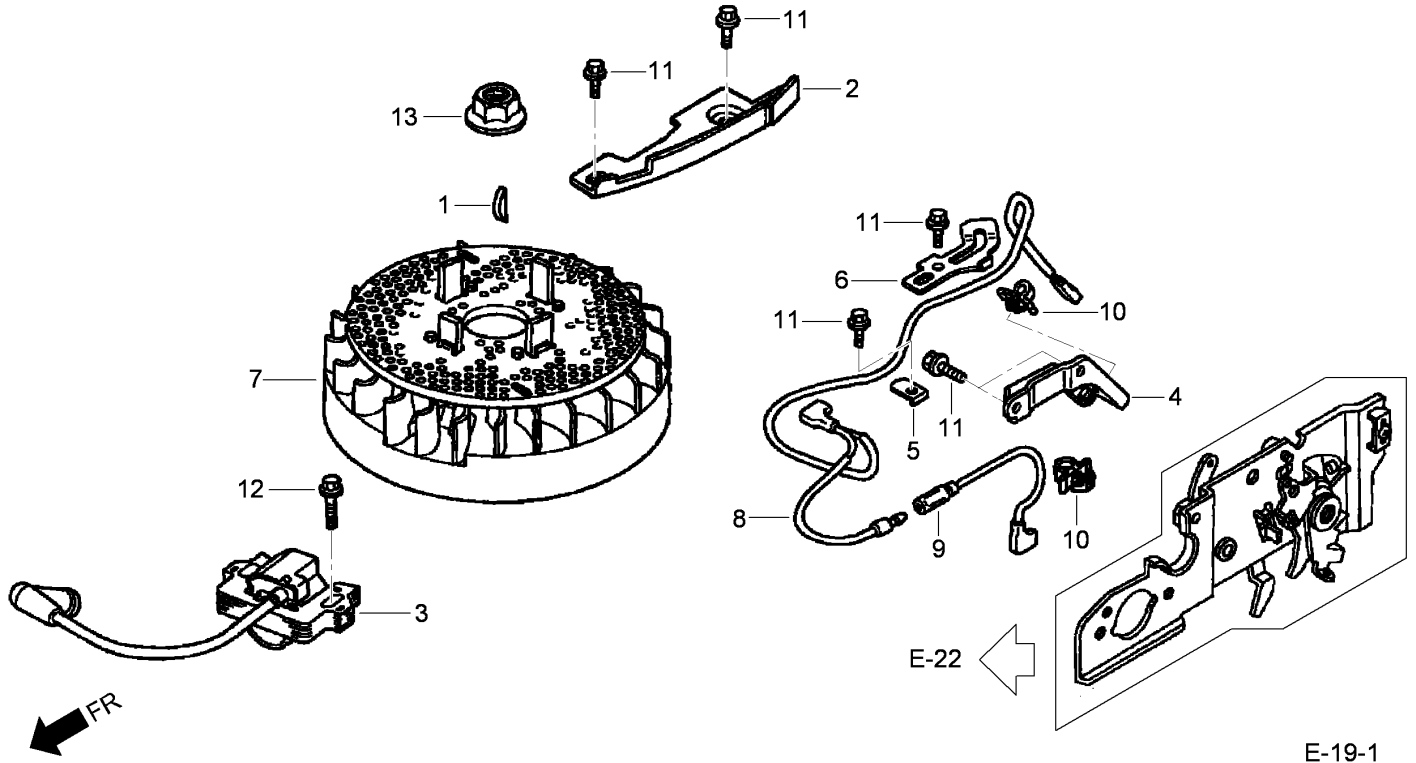
Ref	Part No.	Qty.	Description				
①	15721-ZM0-000	1	Tube-Breather				
②	17211-ZL8-023	1	Element-Cleaner, Air				
③	17220-ZM0-000	1	Air Cleaner Case ASM				
③	17220-ZM0-010	1	Air Cleaner Case ASM				
⑤	17228-ZM0-000	1	Gasket-Cleaner, Air				
⑥	17231-Z0L-030	1	Cover-Cleaner, Air				
⑦	90003-ZM0-000	2	Bolt-Flange (6X86) (C T200) (Engine Serial Numbers Up To 6349022)				
⑦	90003-ZM0-010	2	Bolt, Flange (6X85) (C T200)				
⑧	95701-06014-08	1	Bolt-Flange (6X14)				



E-16

## Muffler Assembly Honda GCV160A NBL1

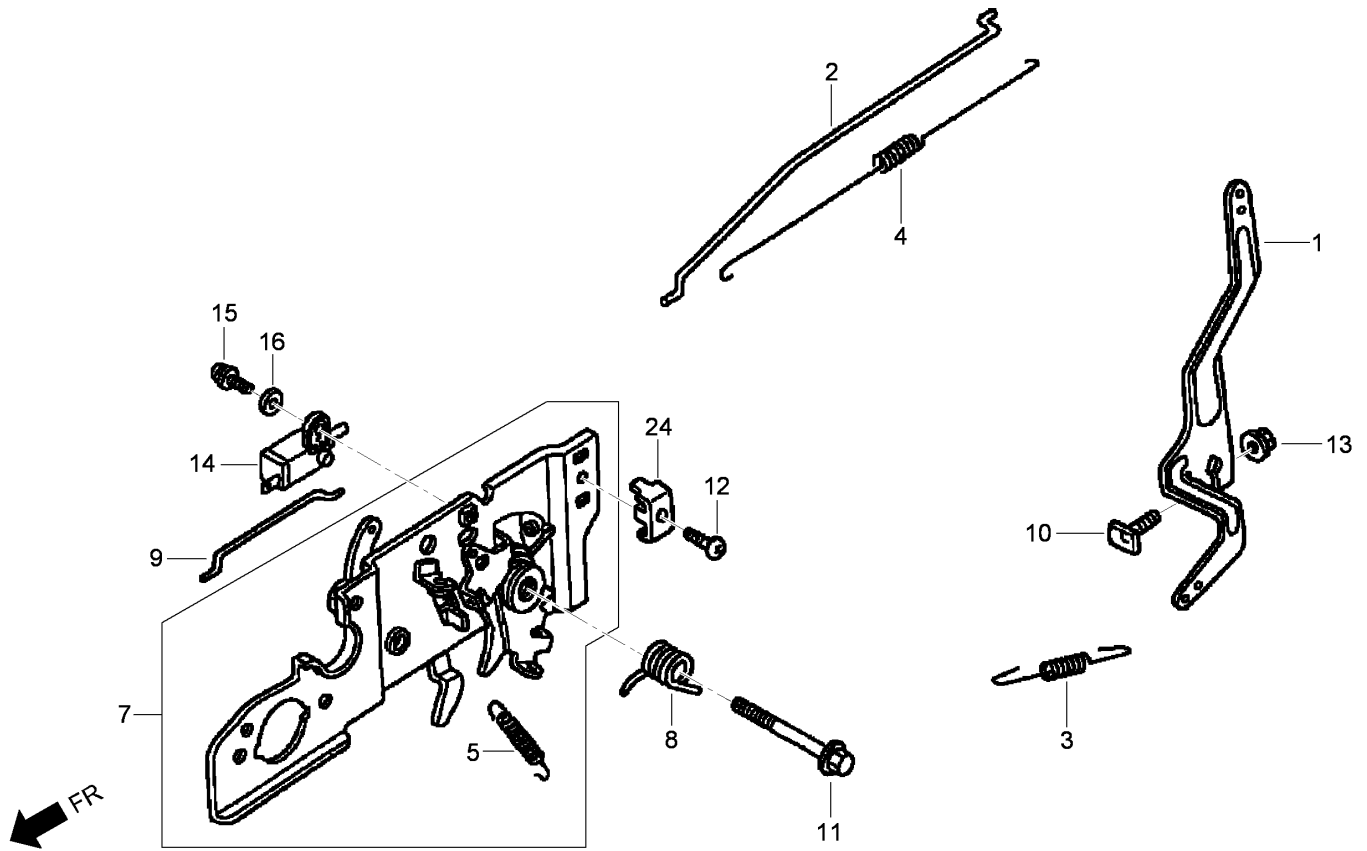
Ref	Part No.	Qty.	Description
①	18310-ZM0-000	1	Muffler
②	18321-Z0L-J00	1	Protector-Muffler
③	90004-ZL8-000	2	Bolt-Flange (6X79) (C T200)
④	90013-883-000	3	Bolt-Flange (6X12) (C T200)
⑤	18381-ZL8-305	1	Gasket-Muffler (Optional Equipment)
⑨	18350-ZL8-000	1	Arrester-Spark (Optional Equipment)
⑩	18356-ZL8-000	1	Plate-Number, Arrester (Optional Equipment)
⑪	90055-ZE1-000	1	Screw-Tapping (4X6) (Optional Equipment)
⑫	06180-Z0J-000	1	Spark Arrester Kit (Optional Equipment)

## Flywheel Assembly Honda GCV160A NBL1

Ref	Part No.	Qty.	Description
●1	13331-357-000	1	Key-Woodruff, Special (25X18)
●2	19612-ZM0-J20	1	Plate-Side (Engine Serial Numbers Up To 5008780)
●2	19612-Z0L-000	1	Plate-Side (Engine Serial Numbers Starting At 5008781)
●3	30500-Z0J-003	1	Ignition Coil ASM (Phelon) (Use For Flywheel Of Phelon)
●4	30547-Z0L-S00	1	Clamp-Wire, Stop Switch
●5	30548-ZL8-000	1	Clamp-Wire, Stop Switch
●6	30549-ZL8-000	1	Clamp-Wire
●7	31105-Z0J-010	1	Flywheel ASM (Phelon) (Use For Ignition Coil Of Phelon)
●8	32195-Z0L-S20	1	Wire-Switch, Stop
●9	32196-Z0L-S20	1	Wire-Switch, Stop
●10	51125-Z0L-003	2	Holder-Wire (Fastex)
●10	90681-959-003	2	Clip A-Cable (3.8Mm Black) (Nifco)
●11	90013-883-000	6	Bolt-Flange (6X12) (C T200)

Ref	Part No.	Qty.	Description
●12	90022-888-010	1	Bolt-Flange (6X20) (C T200)
●13	90201-878-003	1	Nut-Special (14 Mm)



E-22

## Control Assembly Honda GCV160A NBL1

Ref	Part No.	Qty.	Description
①	16551-ZM0-010	1	Arm-Governor
②	16555-Z0L-800	1	Rod-Governor (Engine Serial Numbers Up To 6349022)
②	16555-Z0L-801	1	Rod-Governor (Engine Serial Numbers Starting At 6349023)
③	16561-Z0L-000	1	Spring-Governor
④	16562-ZM0-000	1	Spring-Return, Throttle
⑤	16576-ZE7-300	1	Spring-Lever
⑦	16580-ZM0-J23	1	Base-Control
⑧	16593-ZM0-000	1	Spring-Return, Control Lever
⑨	16674-ZM0-000	1	Rod-Choke
⑩	90015-ZE5-010	1	Bolt-Arm, Governor
⑪	90016-ZM0-000	1	Bolt-Flange (6X45) (Ct200)
⑫	93500-05016-0A	1	Screw-Pan (5X16)
⑬	94050-06000	1	Nut-Flange (6 Mm)
⑭	35120-ZL8-003	1	Engine Stop Switch ASM

Ref	Part No.	Qty.	Description
⑮	93892-04012-00	1	Screw-Washer (4X12)
⑯	94103-04000	1	Washer-Plain (4Mm)
⑳	16617-VG3-000	1	Holder-Cable





# Attachments and Accessories

For 20194 - Super Bagger Lawn Mower

Product Name

Model/Part

Cruise Control Kit ..... 89919

# NOTES

# NOTES

