



Pro Force Debris Blower

Model No. 44538 - 280000001 and up.

Parts Catalog

Ordering Replacement Parts

To order replacement parts, please supply the part number, the quantity, and the description of each part desired.

Understanding Reference Numbers

Each identified part in an illustration has a reference number. The reference number for a part also appears in the parts list, along with other information about the part.

This catalog uses two special reference number formats, one to indicate parts in a service assembly and another to indicate the quantity of a given part in an illustration.

Service Assembly Reference Numbers

Parts in service assemblies have reference numbers in the form a:b. The a represents the reference number of the entire service assembly and the b represents a sequential number unique to each part within the service assembly.

For example, a wheel assembly might be identified by reference number 6, the tire by 6:1, the valve by 6:2, and the wheel by 6:3. When you order the assembly identified by reference number 6, you receive all parts identified by reference numbers 6:1, 6:2, and 6:3. However, you may also order any part individually. Reference numbers of this type appear in illustrations and in part lists.

Reference Numbers Indicating Quantity

In an illustration, if a reference number indicates more than one part, the reference number has the form nX y. The n represents the quantity of the part, the X is the multiplication symbol, and the y represents the reference number.

For example, in an illustration, the reference number 2X 37 means that two of the parts identified by reference number 37 are indicated.

Contents

Description	Page	Description	Page
Shaft and Rotor Assembly 3	Head, Valve and Breather Assembly Kohler CH740-3122 13
Turbine Assembly 4	Ignition and Electrical Assembly Kohler CH740-3122 15
Hitch, Trailer, Fuel Tank, Hub and Wheel Assembly 5	Blower Housing and Baffle Assembly Kohler CH740-3122 16
Hub Assembly No. 80-6570 6	Starting System Assembly Kohler CH740-3122 17
Nozzle, Belt and Guard Assembly 7	Fuel System Assembly Kohler CH740-3122 18
Clutch, Battery and Electrical Component Assembly 8	Engine Control Assembly Kohler CH740-3122 19
Engine and Muffler Assembly 9	Air Intake and Filtration Assembly Kohler CH740-3122 20
Crankshaft Assembly Kohler CH740-3122 10	Exhaust Assembly Kohler CH740-3122 22
Crankcase Assembly Kohler CH740-3122 11	Decal and Gasket Set Assembly Kohler CH740-3122 23
Oil Pan and Lubrication Assembly Kohler CH740-3122 12		

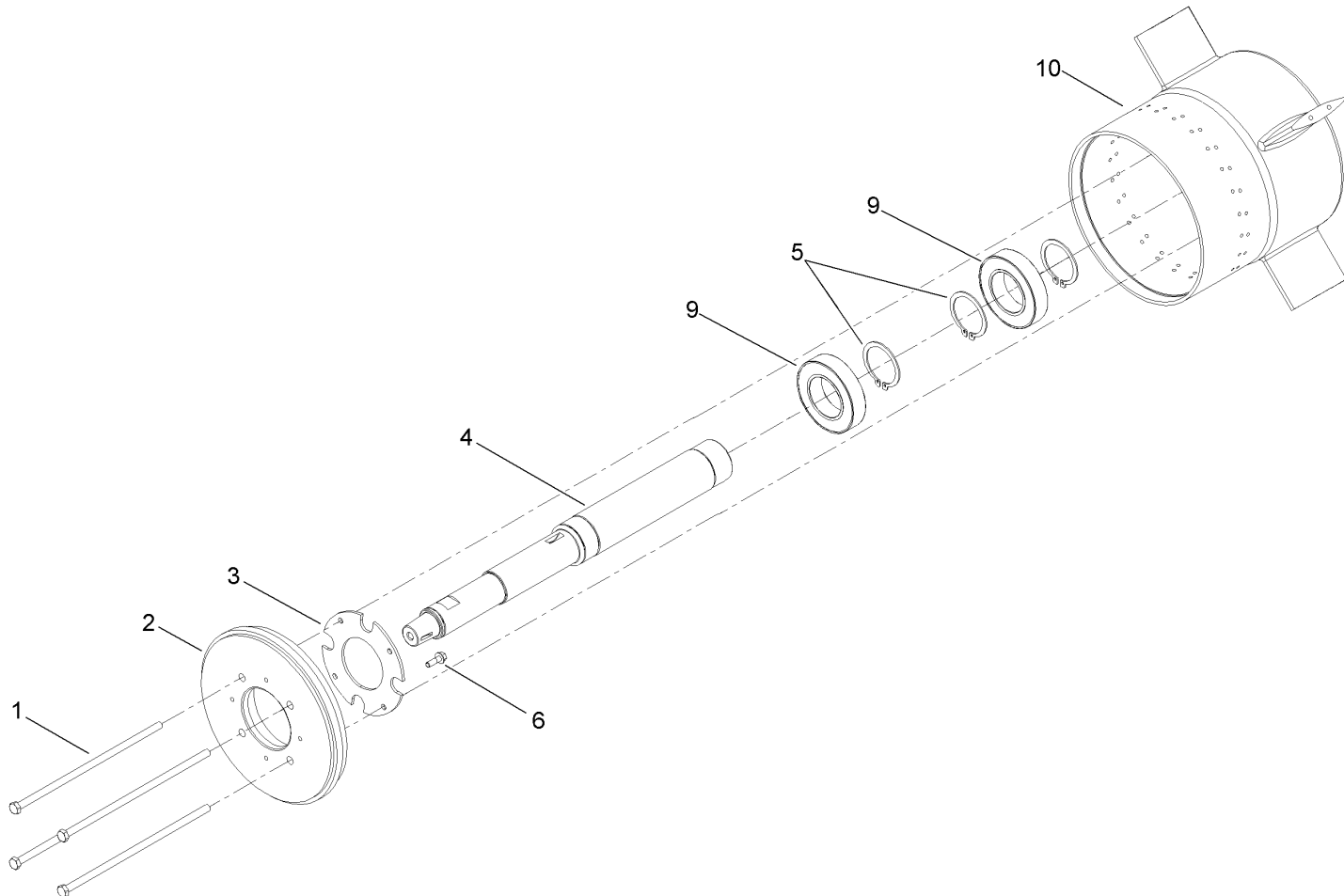
Part Description Abbreviations

Part descriptions in this catalog may include the following abbreviations.

AR. as required	HWHTF. hex washer head thread forming
ASM. assembly	HYD. hydraulic
BBC. blade brake clutch	LH. left hand
CARR. carriage	NI. nylon insert
CCW. counter clock wise	NPTF. national pipe thread fine
CW. clockwise	PFH. phillips flat head
DEG. degrees	PPH. phillips pan head
ECM. electronic control module	PPHTF. phillips pan head thread forming
EXT. external	PRH. phillips round head
FH. flat head	PTH. phillips truss head
GA. gauge	PTO. power-take-off
HD. heavy-duty	RH. right hand
HF. hex flange	ROPS. roll-over protection system
HH. hex head	SFH. slotted fillister head
HHF. hex head flange	SHH. slotted hex head
HHFTF. hex head flange thread forming	SHWH. slotted hex washer head
HJ. hex jam	SPH. slotted pan head
HLH. hex lag head	SQH. square head
HOC. height-of-cut	SRH. slotted round head
HSBH. hex socket button head	STD. standard
HSFH. hex socket flat head	TAP. self tapping
HSH. hex socket head	TTH. torx truss head
HWH. hex washer head	

Footnotes

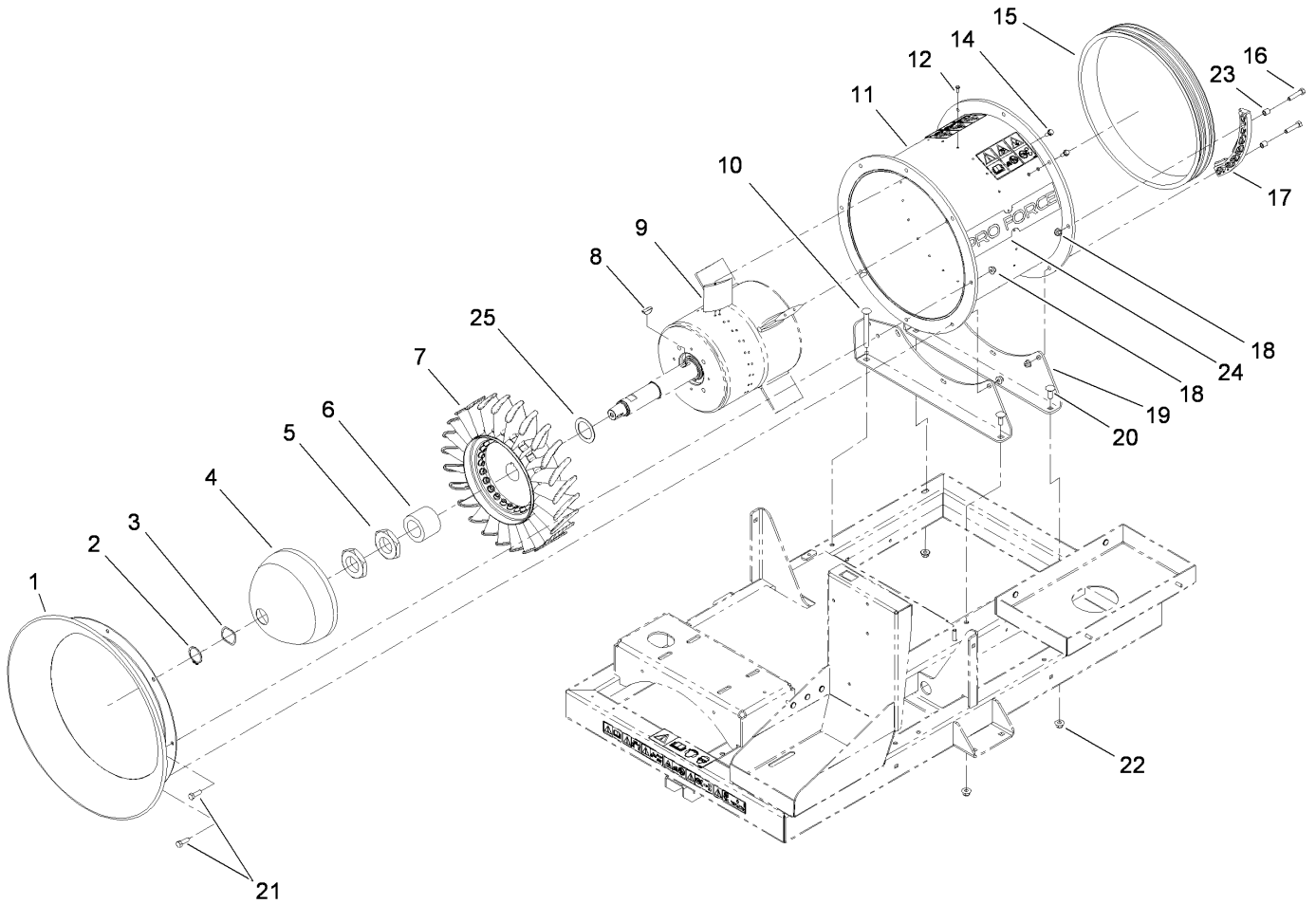
- ❶ Not illustrated
- ❷ Not serviced separately
- ❸ Obtain parts from www.kohlerplus.com



Shaft and Rotor Assembly

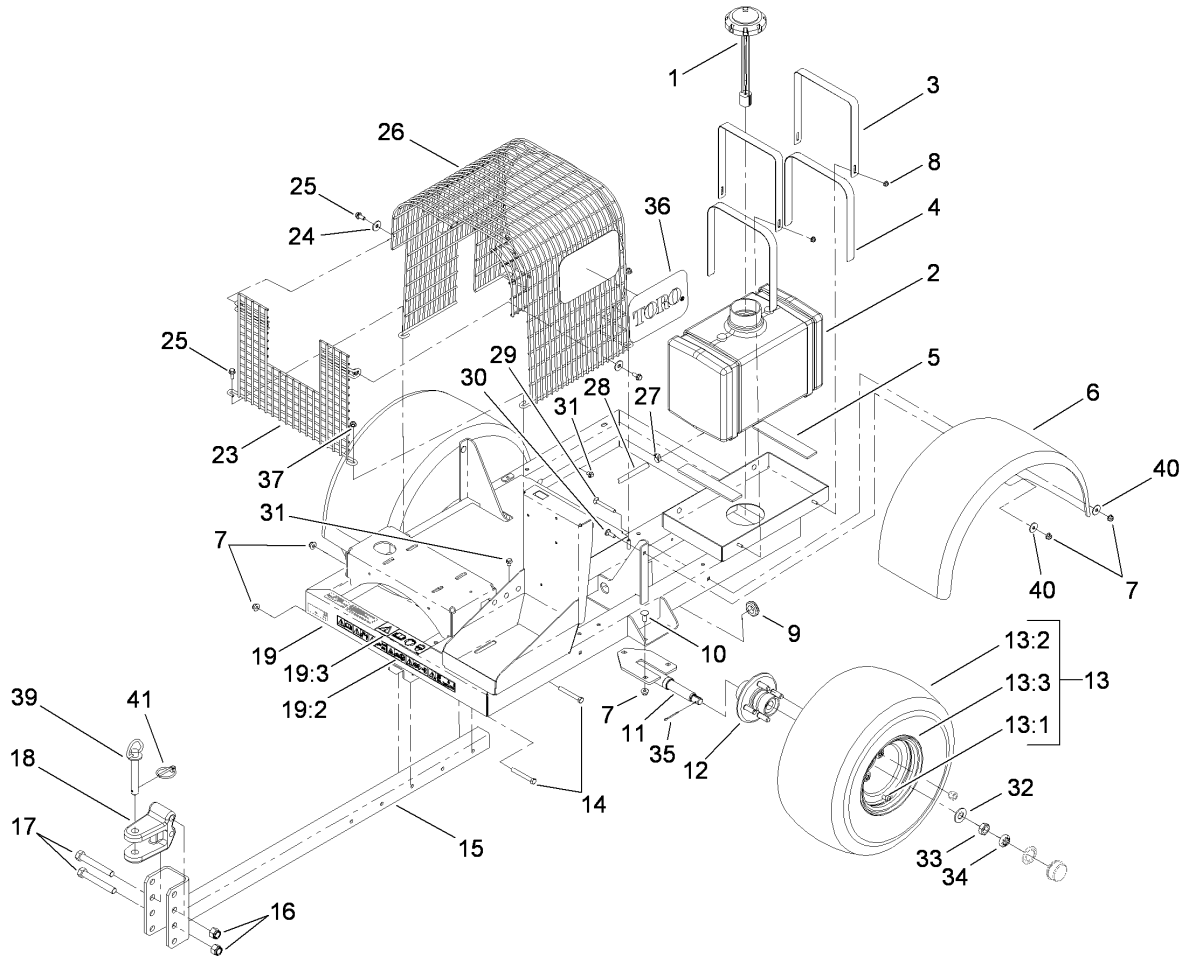
Ref	Part No.	Qty.	Description
1	112-1891	4	Screw-HH
2	112-1944	1	Holder-Bearing
3	112-1880-03	1	Cap-Bearing, Front
4	115-9075	1	Shaft-Fan
5	112-1951	2	Snap-EXT
6	117-8304	4	Screw-HHF
9	112-6764	2	Bearing-Ball, 50Mm
10	114-9862	1	Housing-Inner

--	--	--	--



Turbine Assembly

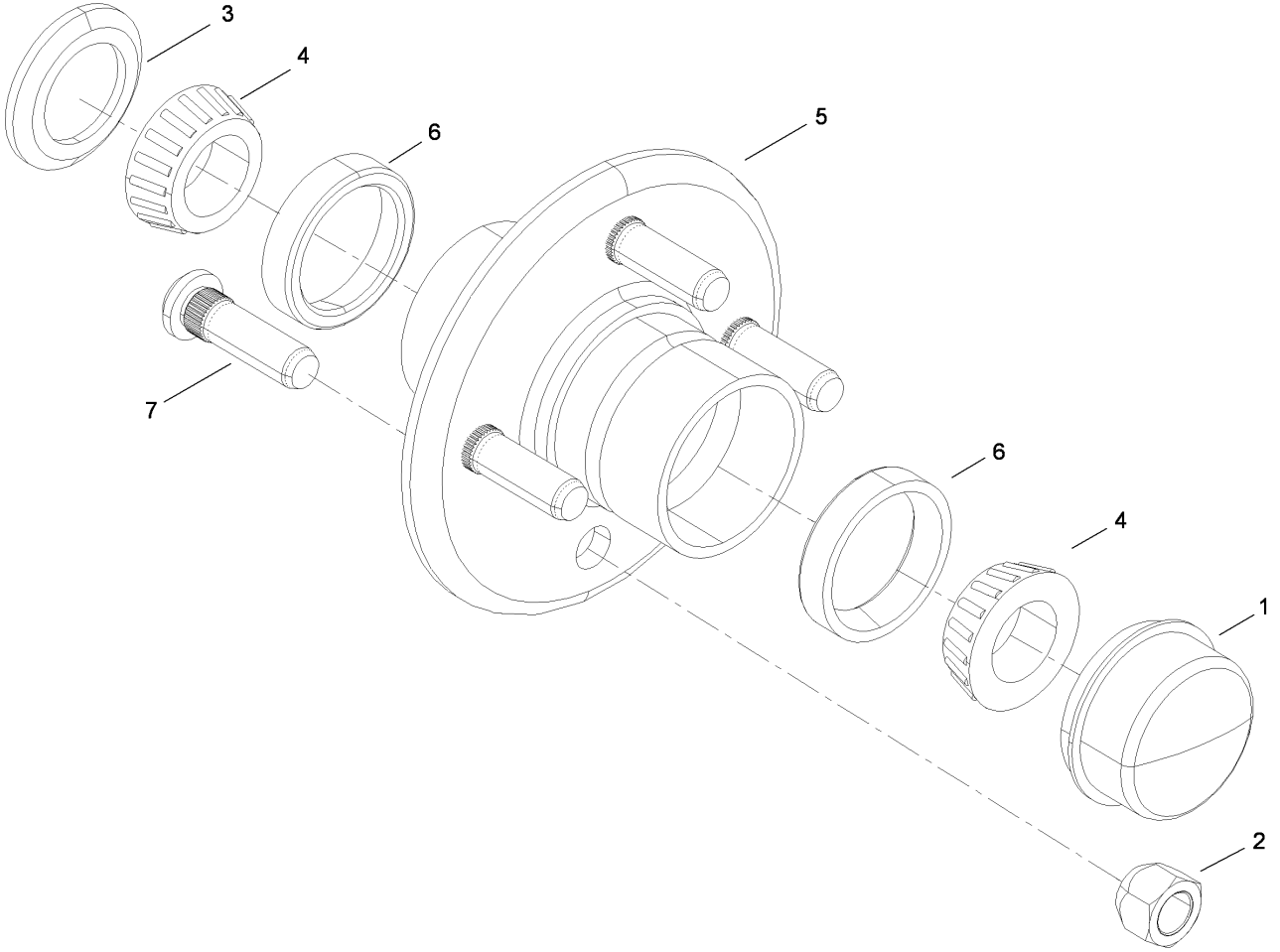
Ref	Part No.	Qty.	Description
1	112-6873	1	Bell-Inlet
2	112-1952	1	Clip-EXT, Dome
3	93-4632	1	Washer-Wavey
4	112-1900	1	Cap-Front
5	112-1899	2	Nut
6	114-2164	1	Spacer
7	112-6889	1	Rotor ASM
8	3257-42	1	Key-Woodruff
9	112-1871	24	Vane-Stator
10	3231-24	2	Screw-CARR
11	115-5128	1	Housing ASM
12	112-6831	24	Screw-HHF
14	112-6897	8	Screw-HF
15	112-1874	1	Pulley-Nozzle
16	322-7	6	Screw-HH
17	114-9868	4	Guide-Nozzle
18	104-8300	14	Nut-Flange, NI
19	112-6851-01	2	Mount-Fan
20	3231-2	2	Screw-CARR
21	322-5	8	Screw-HH
22	104-8301	4	Nut-Flange, NI
23	93-6859	8	Spacer
24	115-5102	2	Decal-Proforce
25	115-5131	1	Washer



Hitch, Trailer, Fuel Tank, Hub and Wheel Assembly

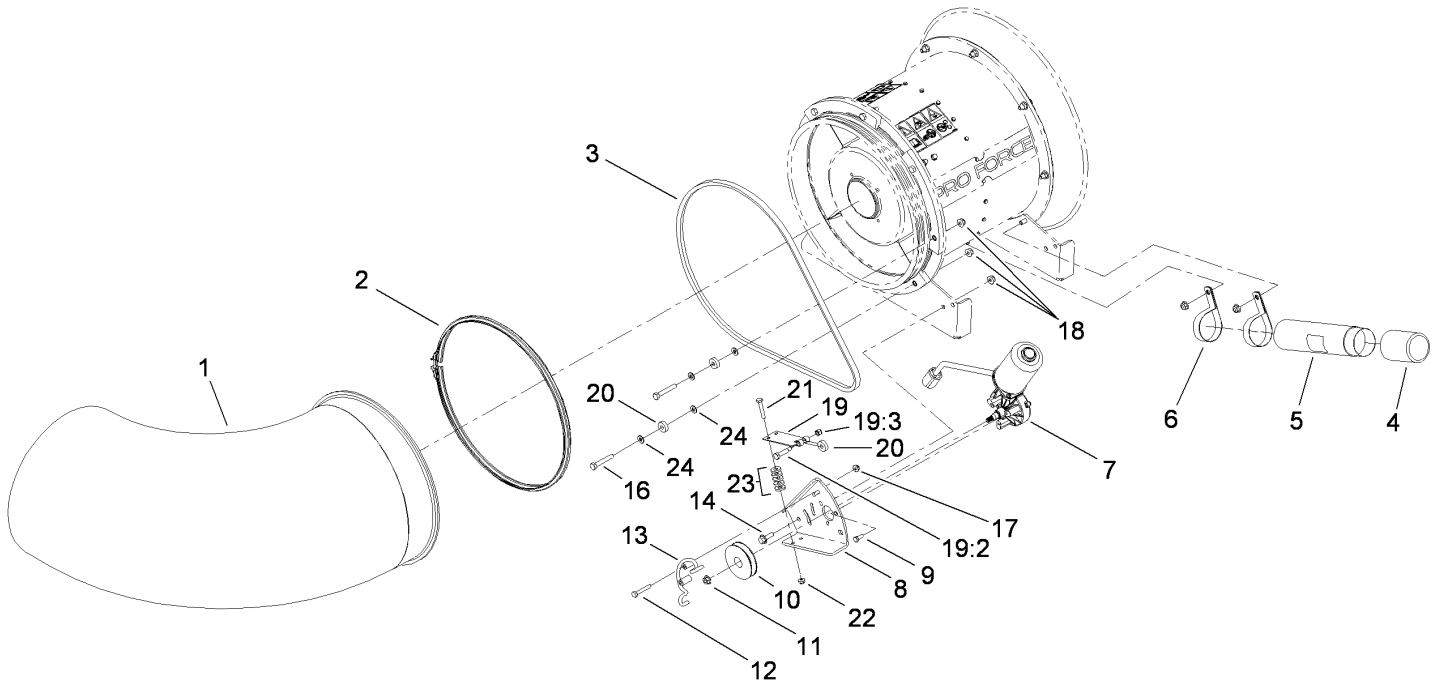
Ref	Part No.	Qty.	Description
1	100-8386	1	Fuel Cap And Guage ASM
2	100-8294	1	Tank-Fuel
3	112-6832-03	2	Strap-Tank
4	108-3378	2	Strap-Strip, Felt
5	100-8524	2	Strip-Foam
6	112-6852	2	Fender
7	104-8301	8	Nut-Flange, NI
8	104-7201	2	Nut-HF
9	1-543286	1	Grommet
10	3231-2	6	Screw-CARR
11	112-6881-01	2	Axle ASM
12	80-6570	2	Hub ASM
13	98-8691	2	Wheel ASM
13:1	232-27	1	Stem-Valve
13:2	99-4506	1	Tire
13:3	99-4507	1	Rim
14	323-14	2	Screw-HH
15	112-6942-01	1	Hitch ASM
16	3296-53	2	Nut-Lock, NI
17	327-23	2	Screw-HH
18	47-3550-01	1	Clevis-Hitch
19	115-5107	1	Frame ASM
19:2	115-5105	1	Decal-Warning
19:3	115-5113	1	Decal-Protection, Eye And Ear

Ref	Part No.	Qty.	Description
23	114-2214	1	Grill-Side
24	52-2861	2	Washer
25	115-5142	4	Screw-HHF
26	112-6876	1	Top Grill ASM
27	2412-108	2	Clamp-Worm
28	112-6763	1	Hose-Fuel
29	3230-9	4	Screw-CARR
30	3230-2	2	Bolt-CARR
31	32180-030	4	Clip-Harness
32	93-0309	2	Washer-Tab
33	3220-7	2	Nut-Jam
34	93-0307	2	Nut-Lock, Retainer
35	3272-13	2	Pin-Cotter
36	92-1242	2	Decal
37	104-8300	8	Nut-Flange, NI
39	13-6200	1	Pin-Hitch, Pointed
40	3256-82	6	Washer-Flat
41	92-1298	1	Pin-Lynch



Hub Assembly No. 80-6570

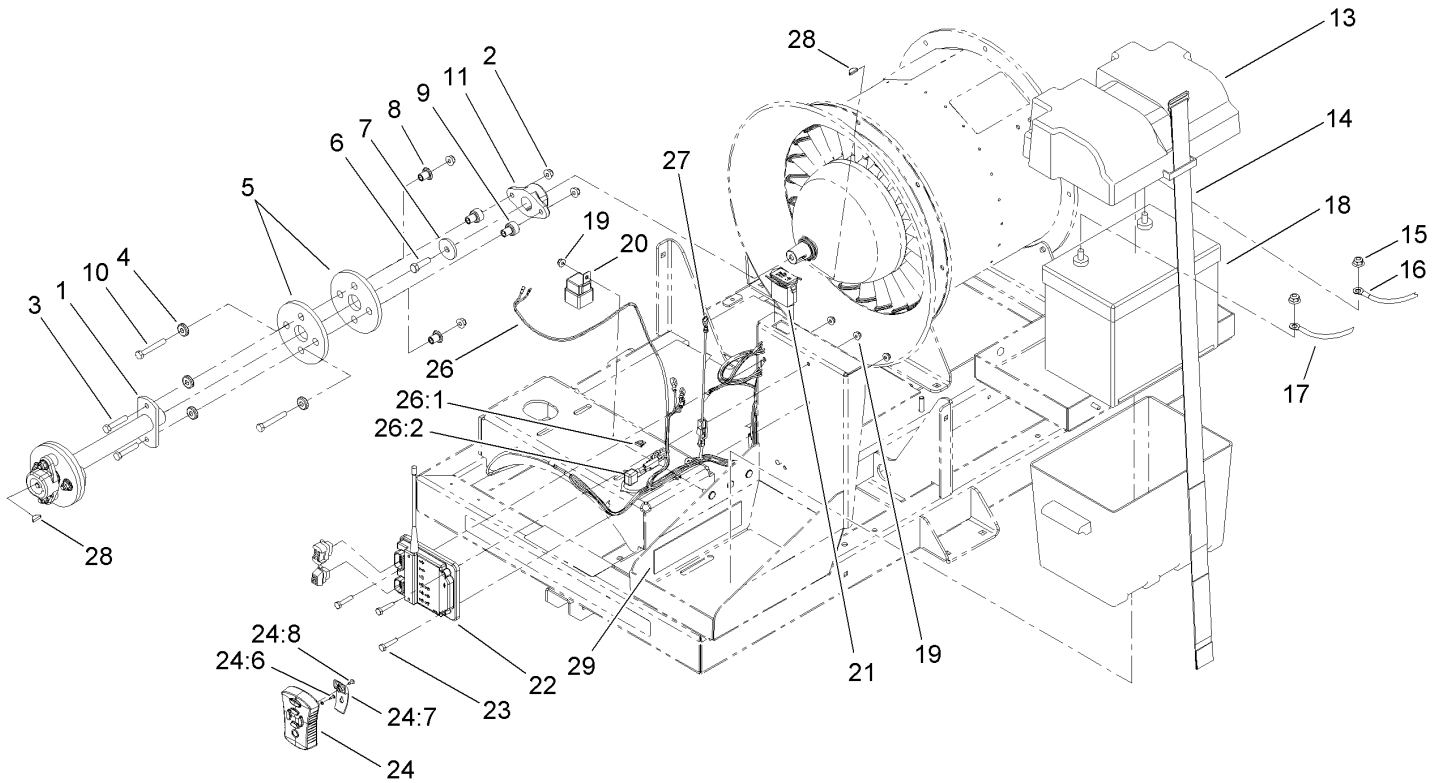
Ref	Part No.	Qty.	Description
1	241-119	1	Cap-Dust
2	242-50	4	Nut-Lug
3	253-129	1	Seal
4	254-94	2	Bearing-Cone, Tapered
5	80-6580	1	Hub
6	254-72	2	Bearing-Cup, Tapered
7	10-6830	4	Stud-Type, Drive



Nozzle, Belt and Guard Assembly

Ref	Part No.	Qty.	Description
1	112-1949	1	Nozzle-14 Inch
2	112-6899	1	Clamp-Nozzle
3	112-1853	1	Belt-V
4	104-7048	1	Cap-Housing
5	104-7050	1	Tube-Manual
6	2412-133	2	R-Clamp
7	115-5141	1	Motor Service ASM
8	115-5149-01	1	Bracket-Motor
9	33113-016	3	Screw-HH
10	115-5147	1	Pulley
11	98-0668	1	Nut
12	321-37	2	Screw-HH
13	112-6924	1	Guard-Belt, Drive
14	3234-29	2	Screw-HHF
16	322-10	2	Screw-HH
17	104-7201	2	Nut-HF
18	104-8300	4	Nut-Flange, NI
19	110-9650	1	Leaf Spring ASM
19:2	36-2250	1	Bolt-Shoulder
19:3	3296-42	1	Nut-Lock, NI
20	251-259	3	Bearing-Ball
21	321-9	2	Screw-HH
22	104-7201	2	Nut-HF
23	88-7200	10	Washer-Flat

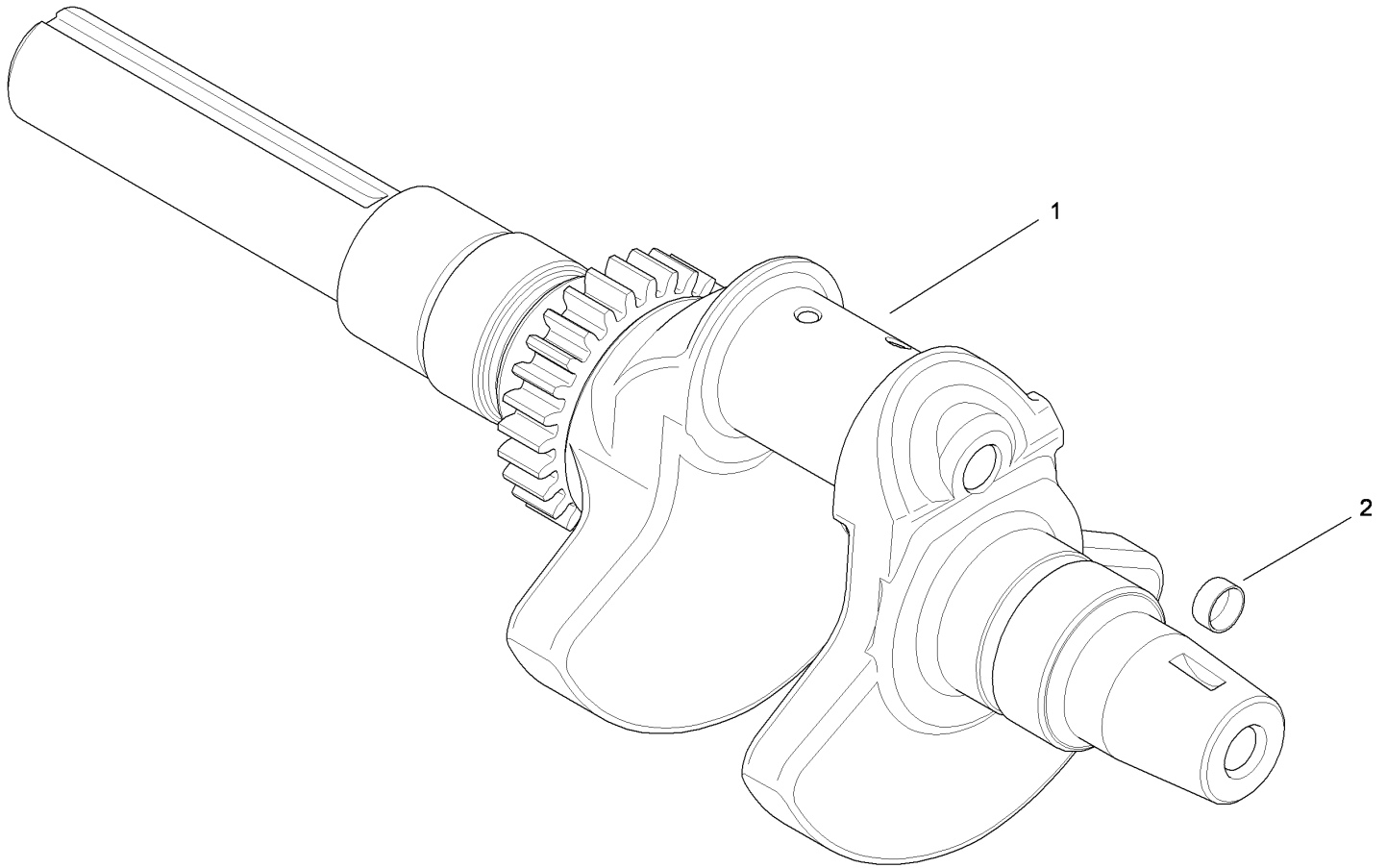
Ref	Part No.	Qty.	Description
24	3256-74	4	Washer-Flat



Clutch, Battery and Electrical Component Assembly

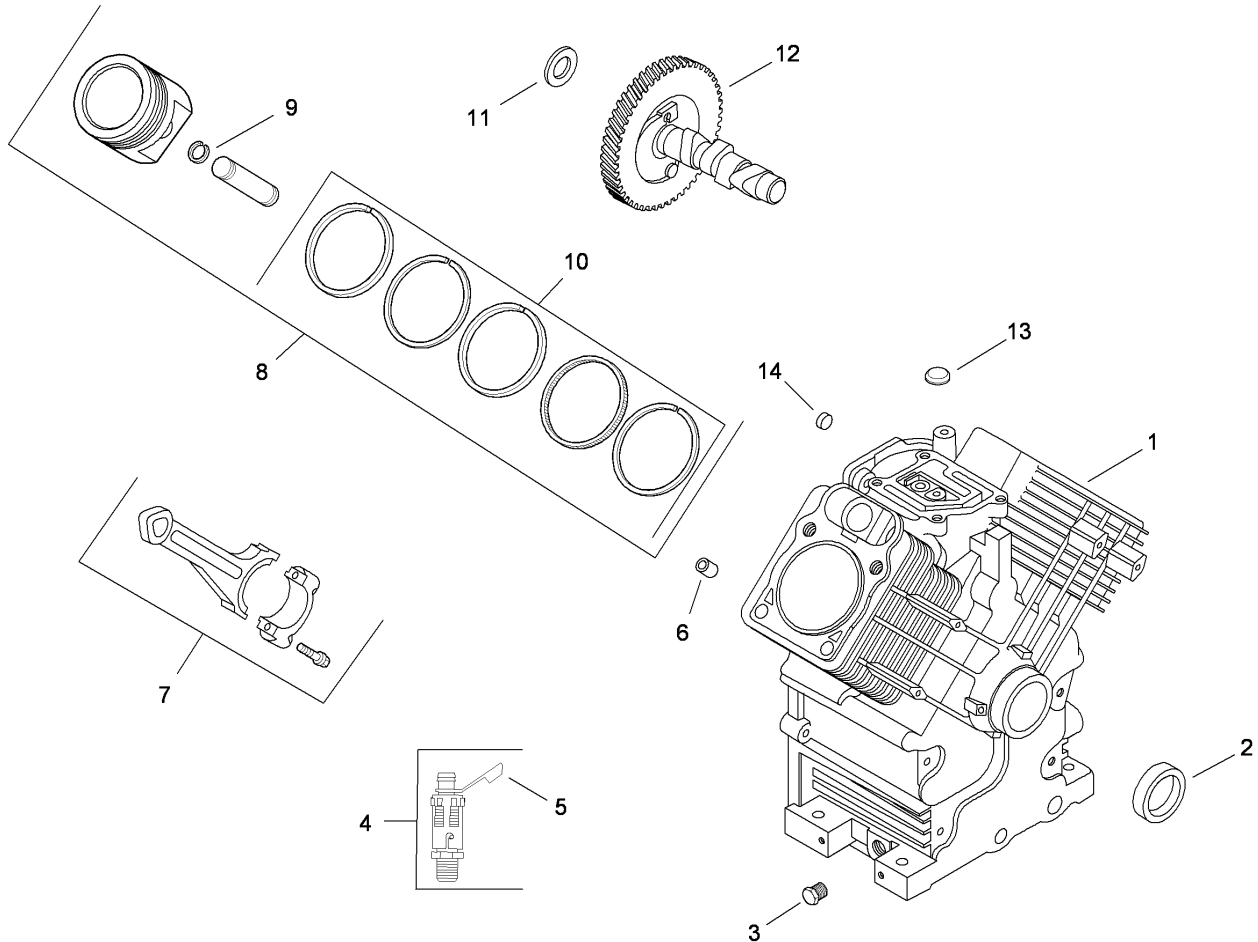
Ref	Part No.	Qty.	Description
1	115-5124-03	1	Drive Shaft ASM
2	104-8300	8	Nut-Flange, NI
3	322-39	4	Screw-HH
4	115-5118	8	Washer
5	115-5129	4	Coupling-Rubber
6	323-7	2	Screw-HH
7	114-2120	2	Washer
8	115-5120	4	Spacer-Coupling, Rubber
9	115-5119	4	Spacer-Coupling, Rubber
10	322-32	4	Screw-HH
11	114-2122	2	Hub-Engine
13	93-7595	1	Battery Box ASM
14	115-5136	1	Strap-Battery
15	104-8301	2	Nut-Flange, NI
16	114-9714	1	Cable-Battery, Positive
17	114-9715	1	Cable-Battery, Negative
18	108-1260	1	Battery-Dry
19	104-7201	6	Nut-HF
20	99-7430	2	Relay
21	1-513374	1	Meter-Hour
22	114-3358	1	Controller ASM (Twm0433Rx)
23	321-8	3	Screw-HH
24	112-6930	1	Transmitter-Remote
24:6	112-6939	6	Screw

Ref	Part No.	Qty.	Description
24:7	102-5934	1	Clip-Belt, Remote
24:8	112-6941	1	Screw-Ph
26	115-8113	1	Harness-Wire, Blower
26:1	109355	1	Fuse-15 Amp
26:2	100-4918	1	Diode
27	108-9455	1	Harness-Wire, Fusible Link
28	3257-5	2	Key-Woodruff
29	104-7102	2	Pad-Battery



Crankshaft Assembly Kohler CH740-3122

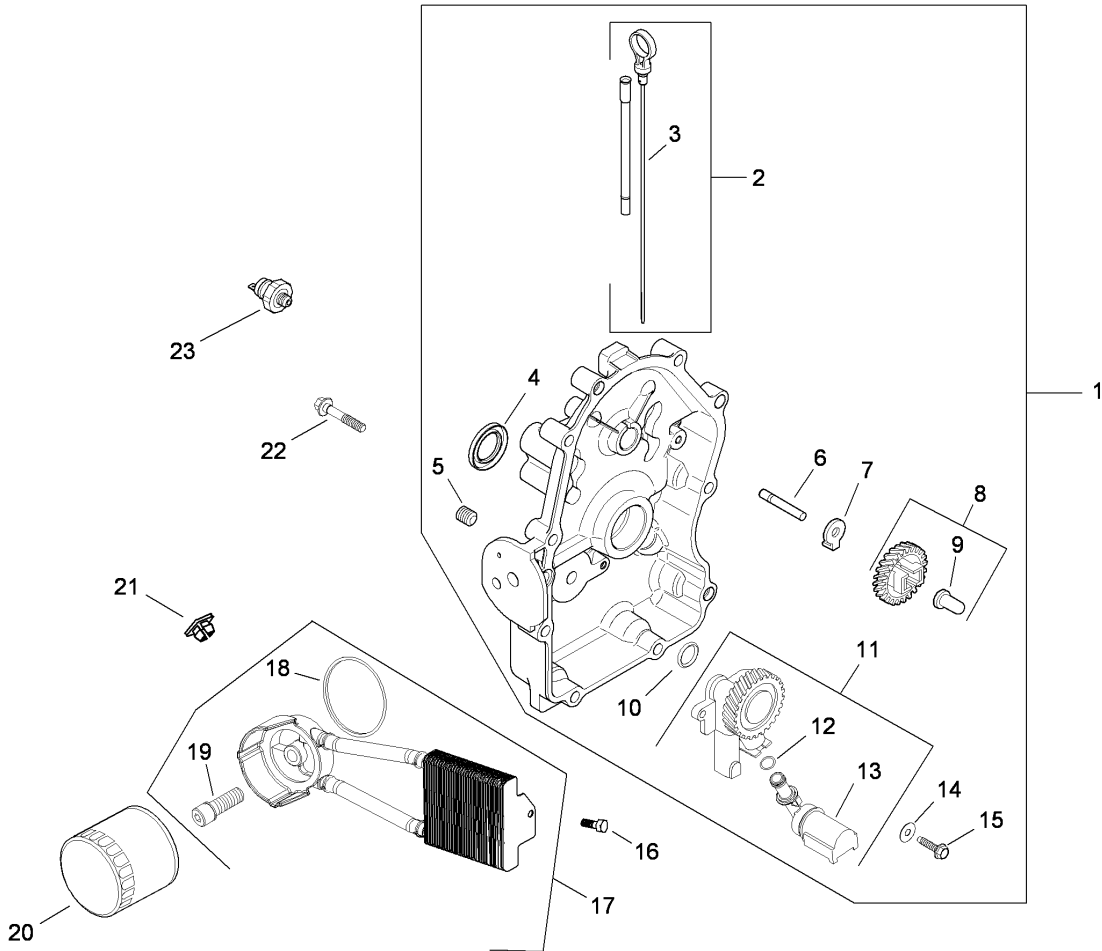
Ref	Part No.	Qty.	Description
❶1	24 014 26-S	1	Crankshaft (Includes 2)
❷2	52 139 09-S	1	Plug-Cup



Crankcase Assembly Kohler CH740-3122

Ref	Part No.	Qty.	Description
2 1		1	Crankcase (Use: Short Block)
1 1	24 782 32	1	Mini Block (C I Bore)
2	24 032 19-S	1	Seal-Oil (Helix Lip)
3	52 139 02-S	1	Plug-Pipe Head, 3/8
4	25 755 14-S	1	Oil Drain Valve Kit
5	25 173 14-S	1	Cap-Valve, Oil Drain
6	24 380 16-S	6	Pin-Locating
7	24 067 24-S	2	Rod-Connecting (STD)
7	24 067 25-S	2	Rod-Connecting (.25)
8	25 874 01-S	2	Piston W/Ring Set (STD)
8	24 874 27-S	2	Piston W/Ring Set (.08)
8	24 874 28-S	2	Piston W/Ring Set (.25)
8	24 874 29-S	2	Piston W/Ring Set Kit (.50)
9	24 018 01-S	4	Retainer-Pin, Piston
10	24 108 14-S	2	Ring Set (STD)
10	24 108 15-S	2	Ring Set (.08)
10	24 108 16-S	2	Ring Set (.25)
10	24 108 17-S	2	Ring Set (.50)
11	12 422 07-S	1	Shim-Camshaft (White .028)
11	12 422 08-S	1	Shim-Camshaft (Blue .03)
11	12 422 09-S	1	Shim-Camshaft (Red .032)
11	12 422 10-S	1	Shim-Camshaft (Yellow .034)
11	12 422 11-S	1	Shim-Camshaft (Green .036)
11	12 422 12-S	1	Shim-Camshaft (Gray .038)

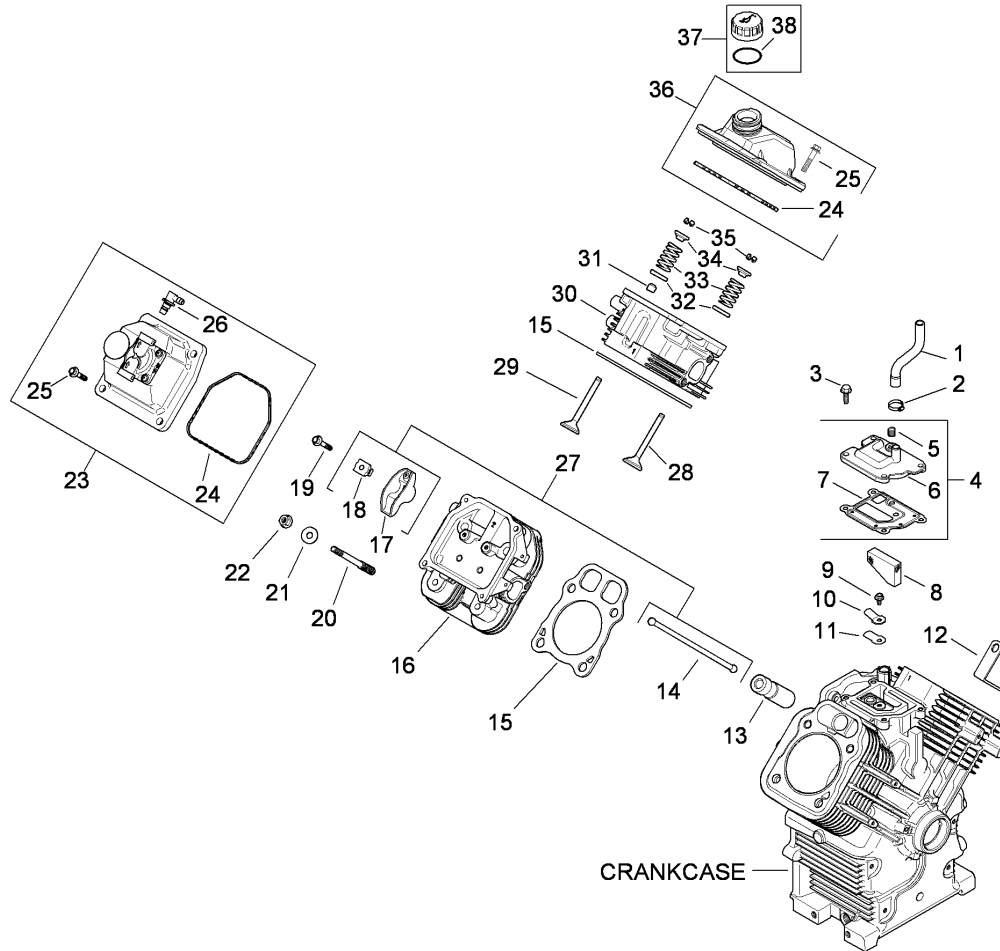
Ref	Part No.	Qty.	Description
11	12 422 13-S	1	Shim-Camshaft (Black .04)
12	24 012 18-S	1	Camshaft Kit (Includes 25 357 14-S)
13	25 139 28-S	1	Plug-Cup
14	52 139 09-S	1	Plug-Cup
1 15	25 357 14-S	1	Lubricant-Camshaft



Oil Pan and Lubrication Assembly Kohler CH740-3122

Ref	Part No.	Qty.	Description
❶	24 009 167-S	1	Plate-Closure And Bearing (Includes 2-15)
❷	24 755 121-S	1	Dipstick And Dipstick Tube ASM (Includes 3)
❸	24 038 10-S	1	Dipstick
❹	25 032 06-S	1	Seal-Oil
❺	25 139 60-S	1	Plug-Pipe, Countersunk (1/8)
❻	12 144 02-S	1	Shaft-Gear, Governor
❼	24 448 02-S	1	Tab-Locking
❽	24 043 12-S	1	Governor Gear W/Pin Kit
❾	12 380 01-S	1	Pin-Regulating, Governor
❿	24 153 08-S	1	O-Ring
⓫	24 393 51-S	1	Oil Pump ASM
⓬	24 153 01-S	1	O-Ring
⓭	24 381 04-S	1	Tube-Pick Up, Oil
⓮	M-631005-S	2	Washer-Flat (6 Mm)
⓯	M-645025-S	2	Screw-Flange, Thread Forming (M6X1.0X25)
⓰	25 086 49-S	2	Screw-Tapping
⓱	54 755 21-S	1	Oil Cooler Kit (Metal)
⓲	24 153 21-S	1	O-Ring
⓳	24 136 05-S	1	Nipple-Filter, Oil
⓴	12 050 01-S	1	Filter-Oil
⓵	25 100 37-S	2	Nut-Plastic (Black)
⓶	24 086 17-S	10	Screw-Flange (M8X1.25X45)

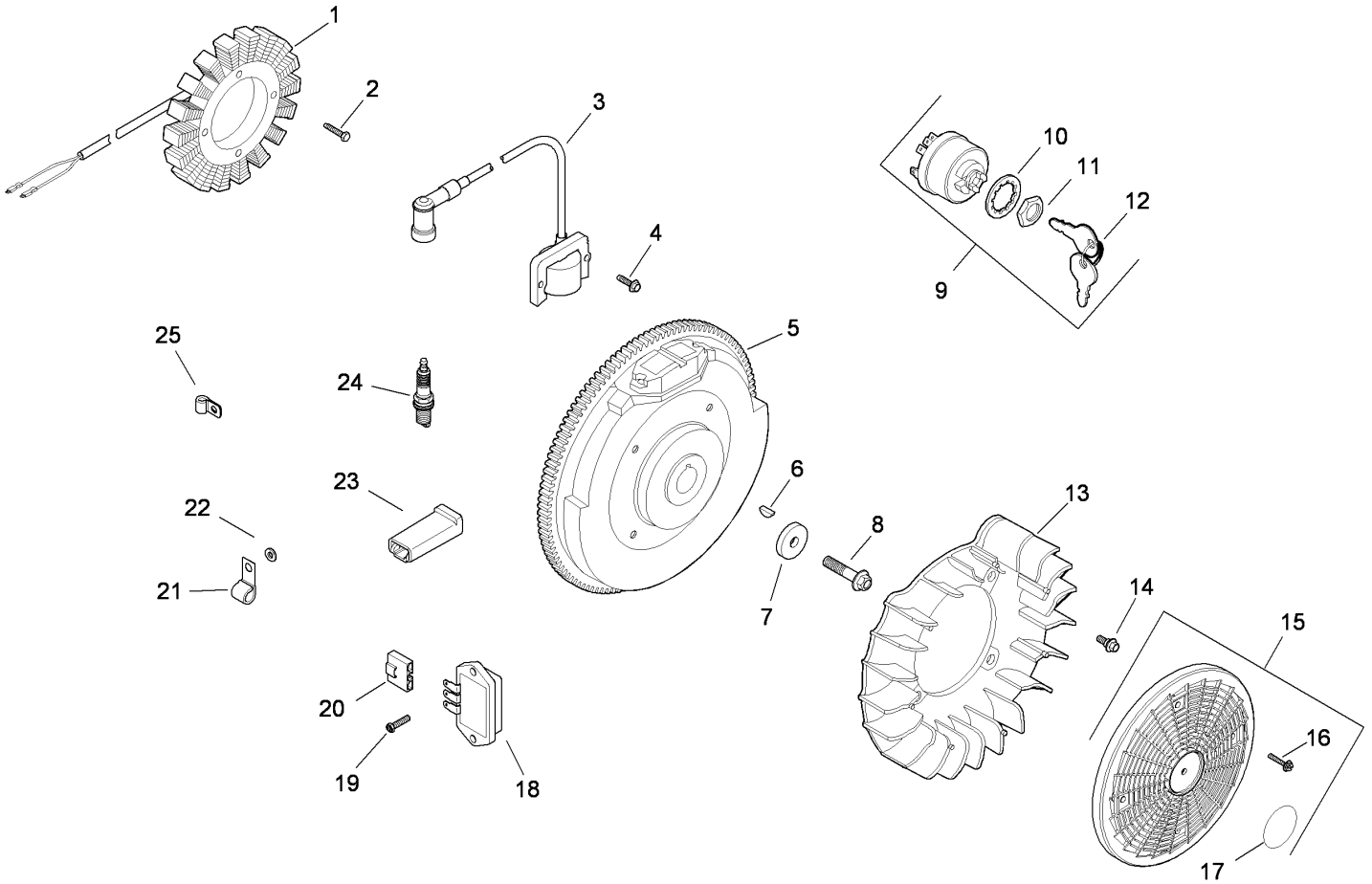
Ref	Part No.	Qty.	Description
❸	24 099 03-S	1	Switch-Pressure



Head, Valve and Breather Assembly Kohler CH740-3122

Ref	Part No.	Qty.	Description
❶1	24 326 89-S	1	Hose-Breather
❶2	25 237 14-S	1	Clamp-Hose, Spring (1/2)
❶3	M-645020-S	6	Screw-HHFTF (M6X1.0X20)
❶4	24 033 01-S	1	Breather ASM (Includes 5-7)
❶5	25 139 60-S	1	Plug-Pipe, Countersunk (1/8)
❶6	24 096 86-S	1	Cover-Breather
❶7	24 041 51-S	1	Gasket-Breather
❶8	24 050 11-S	1	Filter-Breather
❶9	M-545010-S	1	Screw-HHFTF (M5X.8X10)
❶10	66 018 04-S	1	Retainer-Reed
❶11	24 402 03-S	1	Reed-Breather
❶12	25 445 01-S	1	Strap-Lifting
❶13	25 351 04-S	4	Hydraulic Valve Lifter Kit (Includes 25 357 14-S)
❶14	24 411 05-S	4	Rod-Push
❶15	24 841 03-S	2	Cylinder Head Gasket Kit
❶16	24 318 114-S	1	Cylinder Head No. 2 Kit (Includes 25 072 04-S)
❶17	25 186 01-S	4	Arm-Rocker
❶18	24 599 02-S	4	Pivot-Rocker Arm
❶19	M-640034-S	4	Screw-Flange (M6X1.0X34)
❶20	24 072 09-S	8	Stud (M8X1.25Xm10X1.5X105Mm)
❶21	24 468 16-S	8	Washer-Flat (8.6 Mm)
❶22	24 100 10-S	8	Nut-Flange (M8X1.25)

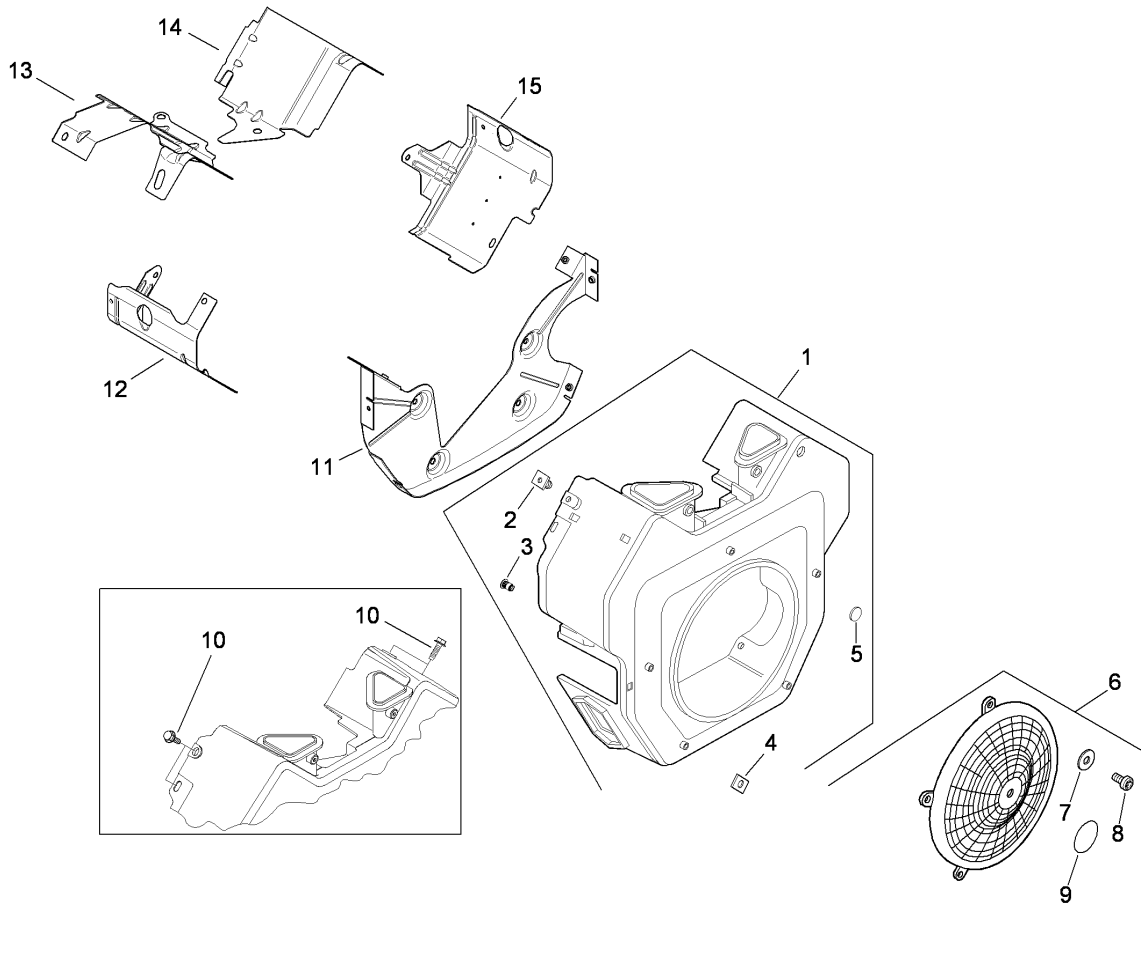
Ref	Part No.	Qty.	Description
❶23	24 559 11-S	1	Valve Cover Kit, Fuel Pump (Includes 24-26)
❶24	24 153 30-S	2	O-Ring
❶25	M-651030-S	8	Screw-Flange (M6X1.0X30)
❶26	25 294 11-S	2	90 DEG Fitting Kit
❶27	24 755 66-S	1	Valve Train Kit
❶28	24 017 01-S	2	Valve-Intake (STD)
❶28	24 017 02-S	2	Valve-Intake (.25)
❶29	24 016 01-S	2	Valve-Exhaust (STD)
❶29	24 016 02-S	2	Valve-Exhaust (.25)
❶30	24 318 106-S	1	Cylinder Head No. 1 Kit
❶31	66 032 05-S	2	Seal-Stem, Valve
❶32	235011-S	4	Retainer-Spring
❶33	24 089 02-S	4	Spring-Valve
❶34	12 173 01-S	4	Cap-Spring, Valve
❶35	12 755 03-S	4	Retainer Kit
❶36	24 755 140-S	1	Oil Fill Rocker Cover Kit (Includes 24-25)
❶37	24 755 46-S	1	Oil Fill Cap Kit (Yellow) (Includes 38)
❶38	25 153 02-S	1	O-Ring
❶❶39	M-645016-S	2	Screw-Flange, Thread Forming (M6X1.0X16)
❶❶40	24 755 147-S	2	Cylinder Head Hardware Kit (Includes Items 14, 18-20, 28-29, 31-35)



Ignition and Electrical Assembly Kohler CH740-3122

Ref	Part No.	Qty.	Description
❶1	237878-S	1	15 Amp Stator Kit (Includes 25 452 01-S)
❶2	M-548025-S	2	Screw-Thread Forming (M5X0.8X25)
❶3	24 584 52-S	2	Module Spark Adv (D S A I) ASM
❶4	M-545020-S	4	Screw-Flange, Thread Forming (M5X.8X20)
❶5	24 025 58-S	1	Flywheel ASM (L W)
❶6	X-42-15-S	1	Key (3/16 X 5/8)
❶7	12 468 03-S	1	Washer-Flat (13/32)
❶8	12 086 14-S	1	Screw-Flange (M10X1.5X45)
❶9	25 099 04-S	1	Switch -Key
❶10	48 468 02-S	1	Washer-Internal Tooth
❶11	48 100 01-S	1	Nut-Switch, Key
❶12	48 340 01-S	1	Key (Set Of 2)
❶13	24 157 11-S	1	Fan
❶14	25 086 47-S	4	Bolt-Shoulder (M6X1.0X16)
❶15	54 755 15-S	1	Grass Screen Kit (Includes 16-17)
❶16	25 086 117-S	4	Screw-Flange, Sems (M4X.7X25)
❶17	24 113 18-S	1	Decal-Grass Screen
❶18	41 403 09-S	1	Rectifier-Regulator
❶19	25 086 157-S	2	Screw-Hex Flange, Hi-Lo
❶20	236602-S	1	Connector (3 Contact)
❶21	235173-S	1	Clip-Cable
❶22	X-25-63-S	1	Washer-Flat (1/4)

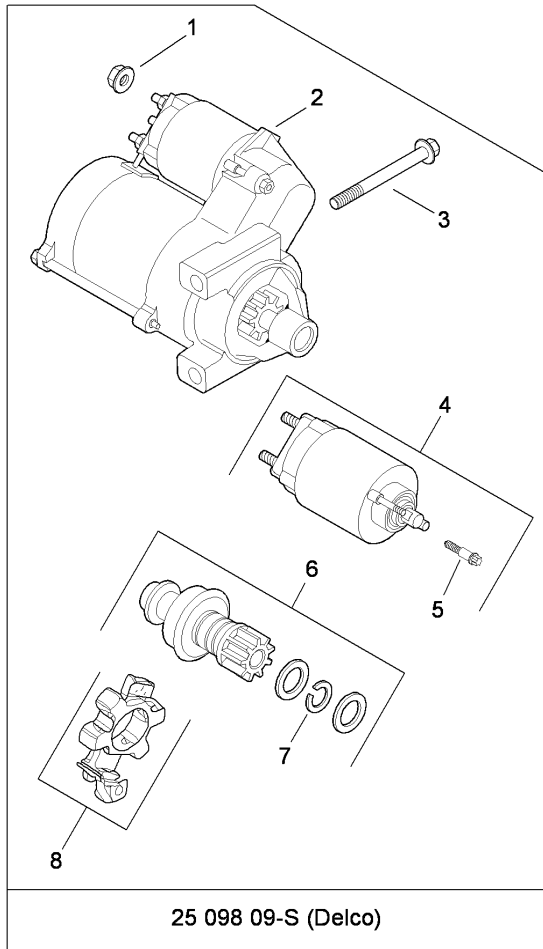
Ref	Part No.	Qty.	Description
❶23	277563-S	1	Connector (1 Contact)
❶24	12 132 02-S	2	Spark Plug
❶25	12 154 01-S	1	Clamp-Insulated
❶26	24 176 130-S	1	Harness-Dsai Wiring
❶27	25 176 11-S	1	Harness-Lead Duplex
❶28	24 176 112-S	1	Harness-Wiring
❶29	24 176 131-S	1	Wiring Harness ASM
❶30	24 518 09-S	1	Lead-Oil Sentry
❶31	25 454 07-S	2	Tie-Wire
❶32	25 518 34-S	1	Lead
❶33	25 452 01-S	2	Terminal



Blower Housing and Baffle Assembly Kohler CH740-3122

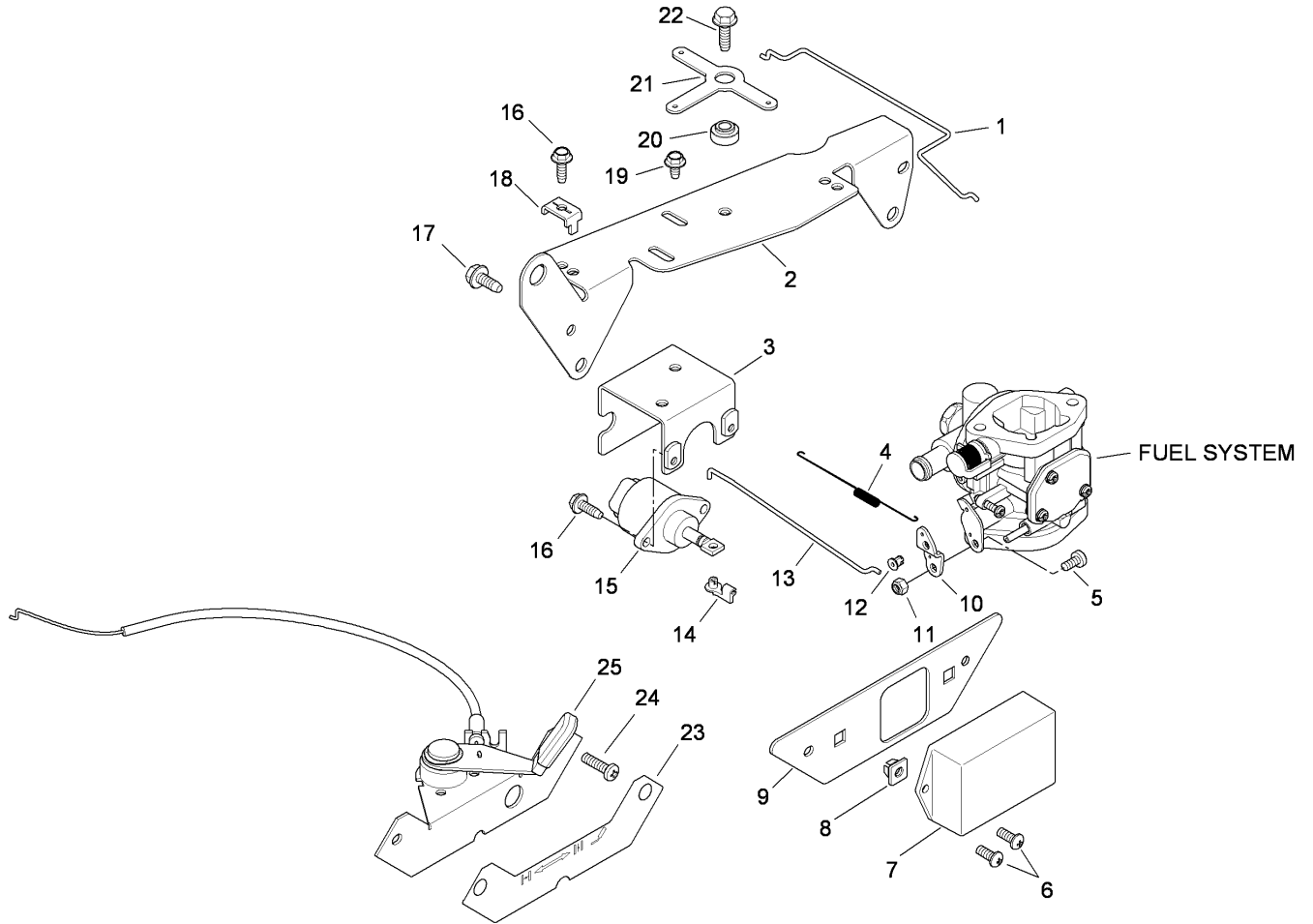
Ref	Part No.	Qty.	Description
1	24 027 183-S	1	Blower Housing Kit (Includes 2-5 And 41 037 10-S)
2	25 100 37-S	3	Nut-Plastic (Black)
3	24 332 01-S	5	Insert-Threaded
4	24 100 02-S	2	Nut-Plastic
5	25 139 16-S	1	Plug-Button (9/16)
6	24 755 81-S	1	Fixed Guard Kit (Includes 7-9)
7	24 332 01-S	5	Insert-Threaded
8	25 086 160-S	5	Screw-Sems
9	24 113 18-S	1	Decal-Grass Screen
10	M-645016-S	4	Screw-Flange, Thread Forming (M6X1.0X16)
11	24 146 55-S	1	Plate-Backing
12	24 063 88-S	1	Baffle-Barrel, Cylinder (No. 2 Side)
13	24 063 70-S	1	Baffle-Valley, No. 2 Side
14	24 063 59-S	1	Baffle-Valley (No. 1 Side)
15	24 063 85-S	1	Barrel-Cylinder (No. 1 Side)
16	M-561016-S	1	Screw-Flange, Thread Forming (M5X.8X16)
17	M-545010-S	2	Screw-HHFTF (M5X.8X10)
18	M-545020-S	2	Screw-Flange, Thread Forming (M5X.8X20)
19	M-645016-S	2	Screw-Flange, Thread Forming (M6X1.0X16)
20	41 037 10-S	1	Nameplate-Service

--	--	--	--



Starting System Assembly Kohler CH740-3122

Ref	Part No.	Qty.	Description				
❶	M-841080-S	1	Nut-Flange (M8X1.25)				
❷	25 098 09-S	1	Starter ASM (Solenoid Shift) (Includes 1 And 3-8)				
❸	M-851080-S	2	Screw-Flange (M8X1.25X80)				
❹	25 435 06-S	1	Solenoid Kit (Includes 5)				
❺	25 086 113-S	3	Screw-Torx Head, External				
❻	25 755 33-S	1	Starter Pinion Kit (Includes 7)				
❼	25 141 05-S	1	Ring-Retaining				
❽	25 221 01-S	1	Brush Holder Kit				

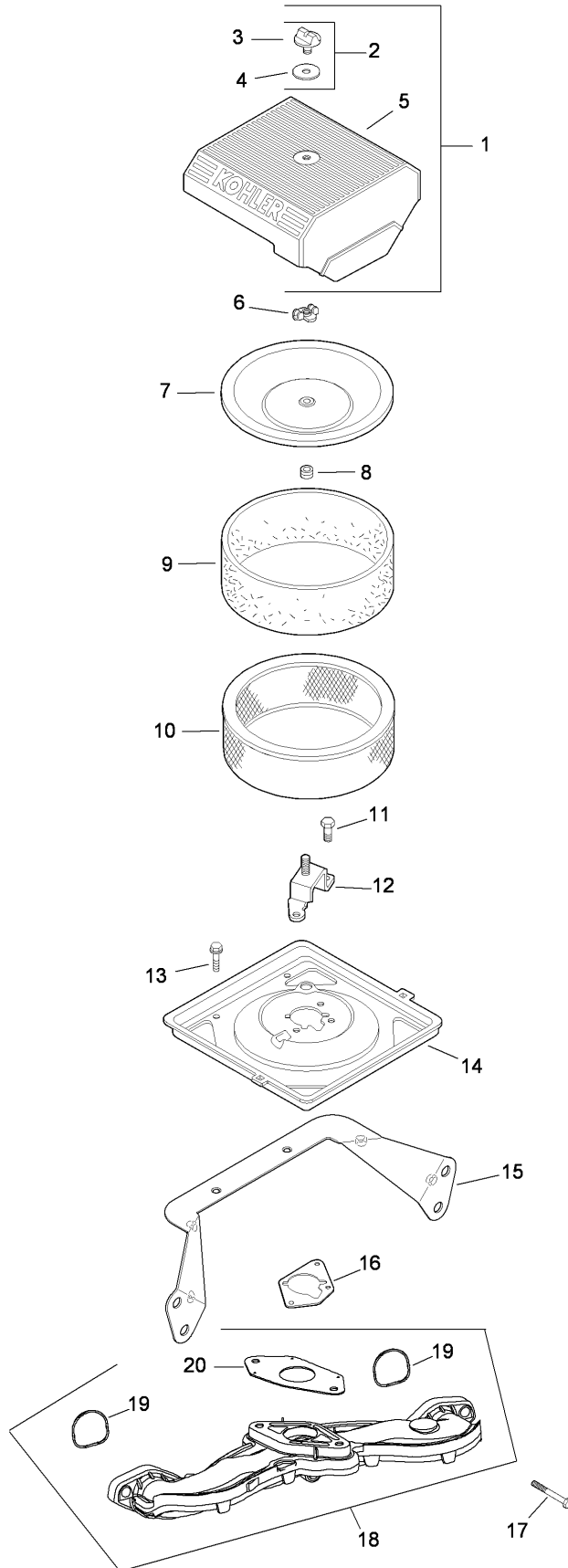


Engine Control Assembly Kohler CH740-3122

Ref	Part No.	Qty.	Description
❶	24 079 18-S	1	Linkage-Choke
❷	24 126 114-S	1	Bracket-Control
❸	24 126 115-S	1	Bracket-Actuator
❹	24 089 54-S	1	Spring-Linkage
❺	24 086 35-S	1	Screw-Lbd Socket Pan, M5X0.8X10
❻	24 086 41-S	4	Screw-PPH (#11-16X1/2)
❼	24 584 59-S	1	Module-Electronic, Governor
❽	24 100 02-S	2	Nut-Plastic
❾	24 378 01-S	1	Panel-Control, Front
❿	24 029 78-S	1	Adapter-Lever, Carburetor
⓫	M-547050-S	1	Nut-Lock (M5X.8)
⓬	25 158 08-S	1	Bushing-Linkage, Throttle
⓭	24 079 04-S	1	Linkage-Throttle
⓮	25 158 11-S	1	Bushing-Retaining, Linkage
⓯	24 179 02-S	1	Actuator Kit, Linear-Digital
⓰	M-545016-S	3	Screw-Flange, Thread Forming (M5X0.8X16)
⓱	M-645016-S	4	Screw-Flange, Thread Forming (M6X1.0X16)
⓲	12 237 01-S	1	Clamp-Cable
⓳	M-545010-S	4	Screw-HHFTF (M5X.8X10)
⓴	15 112 08-S	1	Spacer
⓵	24 090 39-S	1	Lever-Choke
⓶	M-645020-S	1	Screw-HHFTF (M6X1.0X20)

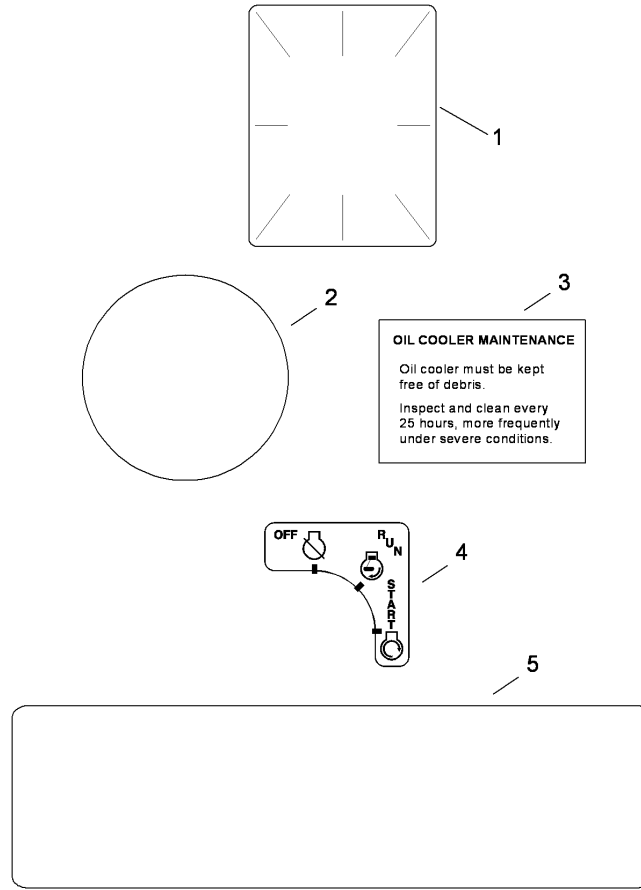
Ref	Part No.	Qty.	Description
⓷	24 113 127-S	1	Decal-Panel, Control
⓸	24 086 06-S	2	Screw-PPH (11-16X3/4)
⓹	24 225 06-S	1	Cable Control ASM
⓺	25 100 25-S	1	Nut, 3/8-24 (Grade 2)

Air Intake and Filtration Assembly Kohler CH740-3122



Air Intake and Filtration Assembly Kohler CH740-3122

Ref	Part No.	Qty.	Description				
①	24 743 06-S	1	Air Cleaner Cover Kit (Includes 2-5)				
②	54 755 01-S	1	Knob W/Seal Kit (Includes 3-4)				
③	25 341 04-S	1	Knob-Cover				
④	24 153 20-S	1	O-Ring				
⑤	24 096 26-S	1	Cover-Air Cleaner				
⑥	12 100 01-S	1	Nut-Wing				
⑦	24 096 01-S	1	Cover-Air Cleaner, Inner				
⑧	230046-S	1	Seal				
⑨	24 083 05-S	1	Pre-Cleaner				
⑩	24 083 03-S	1	Element-Air Filter				
⑪	24 086 53-S	3	Screw-Flange, Thread Forming (M6X1.0X16)				
⑫	24 126 88-S	1	Bracket-Air Cleaner				
⑬	M-545010-S	2	Screw-HHFTF (M5X.8X10)				
⑭	24 094 37-S	1	Base-Air Cleaner				
⑮	24 126 130-S	1	Bracket-Base, Air Cleaner				
⑯	24 041 06-S	1	Gasket-Base, Air Cleaner				
⑰	M-651040-S	4	Screw-Flange (M6X1.0X40)				
⑱	24 164 93-S	1	Intake Manifold Kit (Includes 19-20)				
⑲	24 153 27-S	2	O-Ring				
⑳	24 041 53-S	1	Gasket-Carburetor				



Artwork is representative.
Actual labels may differ depending on model and specification number.

Decal and Gasket Set Assembly Kohler CH740-3122

Ref	Part No.	Qty.	Description
1	25 113 39-S	1	Decal-Laminate, Clear
2	24 113 18-S	1	Decal-Grass Screen
3	24 113 25-S	1	Decal-Cooler, Oil
4	24 113 126-S	1	Decal-Key Switch
5	24 113 123-S	1	Decal-Command 27 Hp
6	24 755 158-S	1	Gasket Set

--	--	--	--

