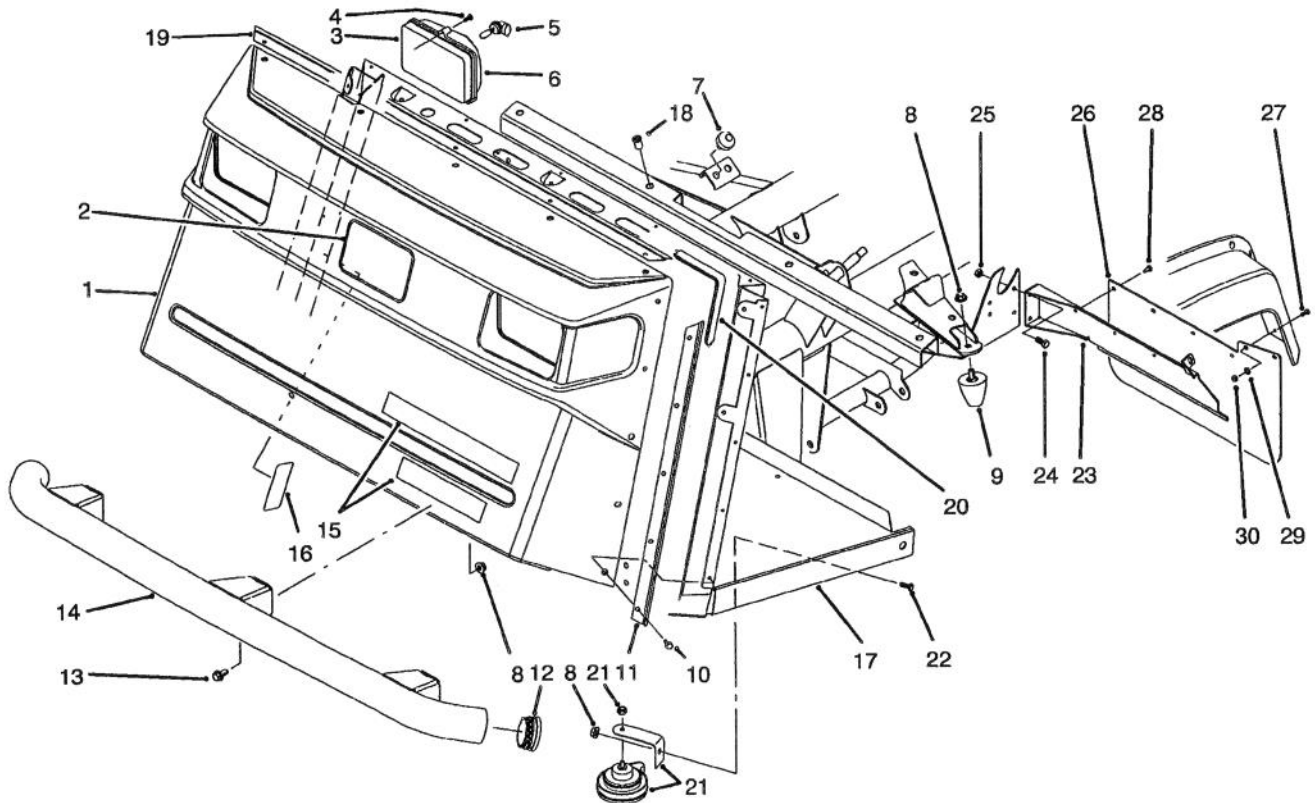


TORO[®]

MODEL NO. 07216-50001 & UP

**PARTS
CATALOG****WORKMAN 4200**

T-1581

FRONT BUMPER & HOOD ASSEMBLY

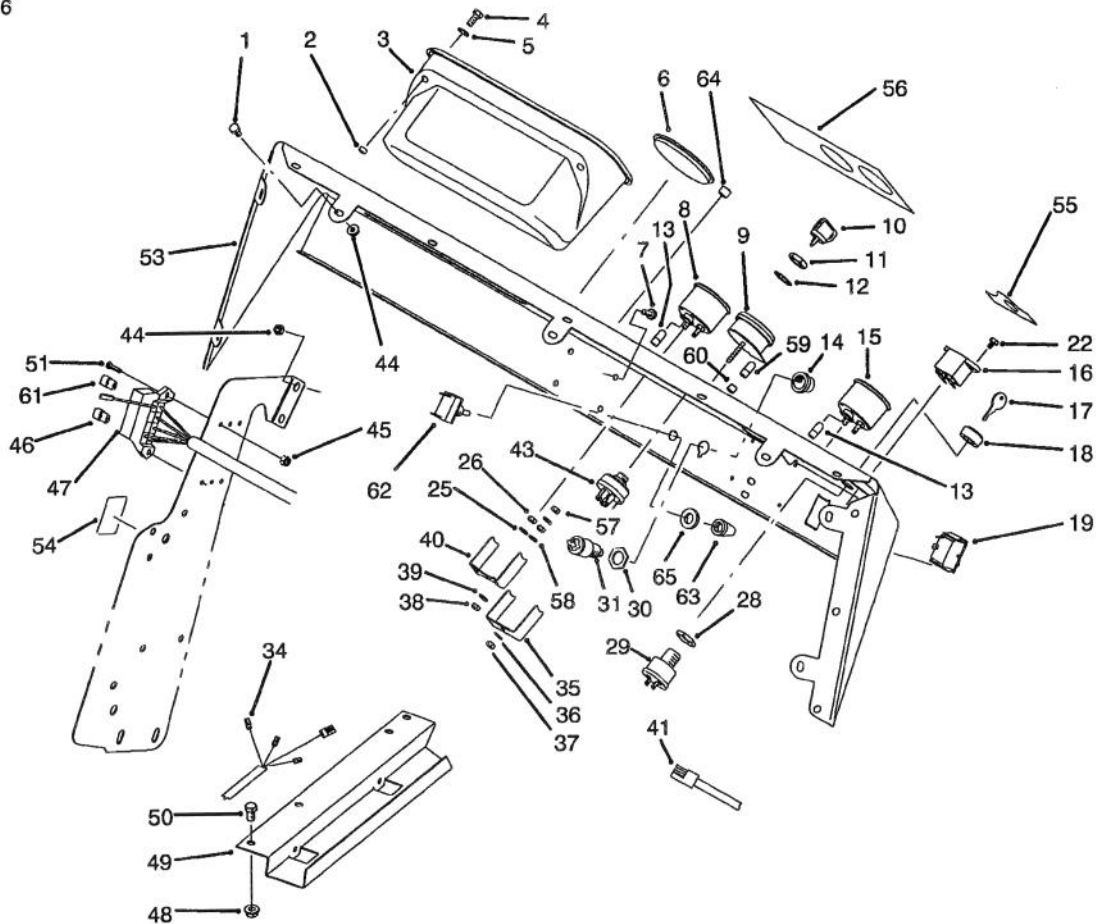
Ref. No.	Part No.	Description	No. Used	Ref. No.	Part No.	Description	No. Used
1	87-0710	Hood	1	17	93-7114	Operators Platform Assy. (Incl. Ref. #18)	1
2	62-5550	Decal - TORO	1	18	32148-7	Nut - Clinch	8
3	87-2120	Headlight Assembly (Incl. Ref. #5-6)	2	19	87-8130	Bracket - Trim Top	1
4	32104-88	Screw	6	20	87-8160	Trim	1
5	87-6320	Bulb - Headlight	2	21	116749	Horn Assembly	1
6	87-6330	Lens - Headlight	2	22	323-4	Screw - Cap Hex. Hd.	1
7	87-2440	Bumper	2	23	87-9330	Bracket - Mudflap LH	1
8	3290-357	Nut - Flange Lock	9	*	87-9340	Bracket - Mudflap RH	1
9	26-0071	Bumper	2	24	321-4	Screw - Cap Hex. Hd.	4
10	87-6620	Screw	15	25	32128-33	Nut - Lock	4
11	87-8120	Bracket - Trim Side	2	26	87-9320	Mudflap	2
12	2410-42	Cap - Front Bumper	2	27	3250-13	Screw - Pan Hd.	4
13	3234-1	Screw - Hex. Flange Hd.	6	28	146489	Rivet - Pop	8
14	87-4070	Decal - Front	1	29	3256-61	Washer - Flat	4
15	87-9120	Bumper - Workman 4200	1	30	3296-2	Nut - Lock	4
‡16	93-7142	Decal - Load Rating	1				

‡For different language versions of this part, see International Decal Cross Reference.

*Not Illustrated

© The TORO Company - 1995

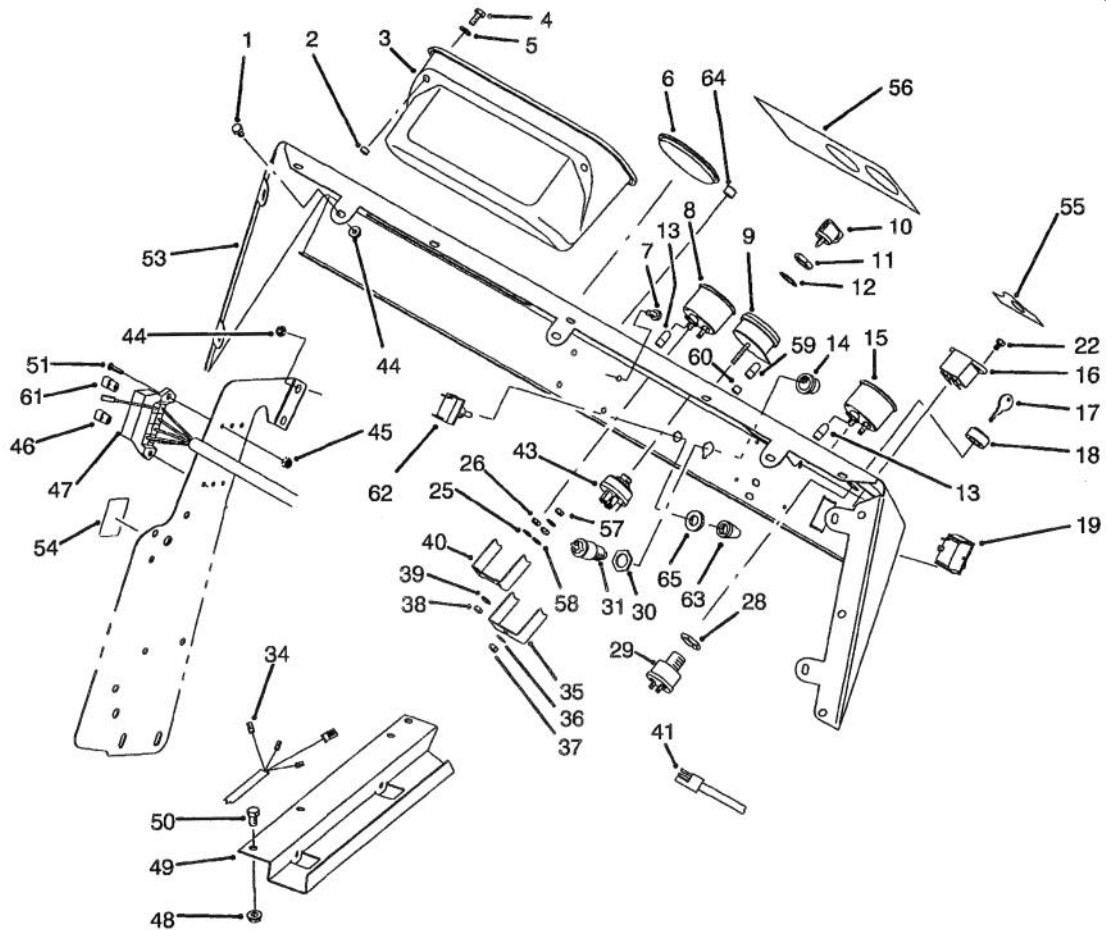
TPS



T-1706

CONTROL PANEL ASSEMBLY

Ref. No.	Part No.	Description	No. Used	Ref. No.	Part No.	Description	No. Used
1	321-2	Screw - Cap Hex. Hd.	7	30		Nut - Hex.	1
2	32148-6	Insert - Threaded	2	31	18-2830	Horn Switch Assembly (Incl. Ref. #14 & 30)	1
3	87-3780	Box - Glove	1	32	2412-89	Clamp - R	1
4	321-3	Screw - Cap Hex. Hd.	2	33	321-4	Screw - Cap Hex. Hd.	1
5	3256-22	Washer - Flat	2	34	93-7129	Harness - Wire Rear	1
6	2410-35	Plug - Hole	1	35		Clamp - Light	1
7	3274-31	Screw - Button Hd.	4	36	3254-1	Washer - Lock	1
8	87-5590	Temperature Gauge Assy. (Incl. Ref. #38-40, 57 & 58)	1	37	3217-26	Hut - Hex.	1
9	93-7053	Warning Light Assembly (Incl. Ref. #35-37, 59 & 60)	1	38	3217-25	Nut - Hex.	2
10	63-8360	Key - Ignition	1	39	3253-15	Washer - Lock	2
11	218-446	Nut - Hex.	1	40		Clamp - Temp. Gauge	1
12	218-447	Washer - Lock	1	41	87-4230	Harness - Wire Front LH	1
13	218-600	Bulb	2	43	27-2360	Ignition Switch Assembly (Incl. Ref. #11 & 12)	1
14		Button - Horn	1	44	32128-33	Nut - Flange	11
15	87-5580	Fuel Gauge Assembly (Incl. Ref. #38-40, 57 & 58)	1	45	3296-2	Nut - Lock	2
16	75-6820	Hourmeter	1	46	218-574	Fuse - 7.5 Amp	2
17	87-0740	Key - Supervisor Switch	1	47	87-8500	Front Wire Harness Assy. (Incl. Ref. #13)	1
18	87-1720	Nut - Supervisor Switch	1	48	32128-20	Nut - Flange	3
19	87-3790	Switch - Light	1	49	93-7094	Cover - Wire Harness	1
22	32144-18	Screw - Cap Hex. Hd.	2	50	322-2	Screw - Cap Hex. Hd.	3
28		Nut - Hex.	1	51	3250-13	Screw	2
29	87-4030	Supervisor Switch Assembly (Incl. Ref. #17, 18 & 28)	1	53	87-8550	Control Panel Assembly (Incl. Ref. #55-56)	1



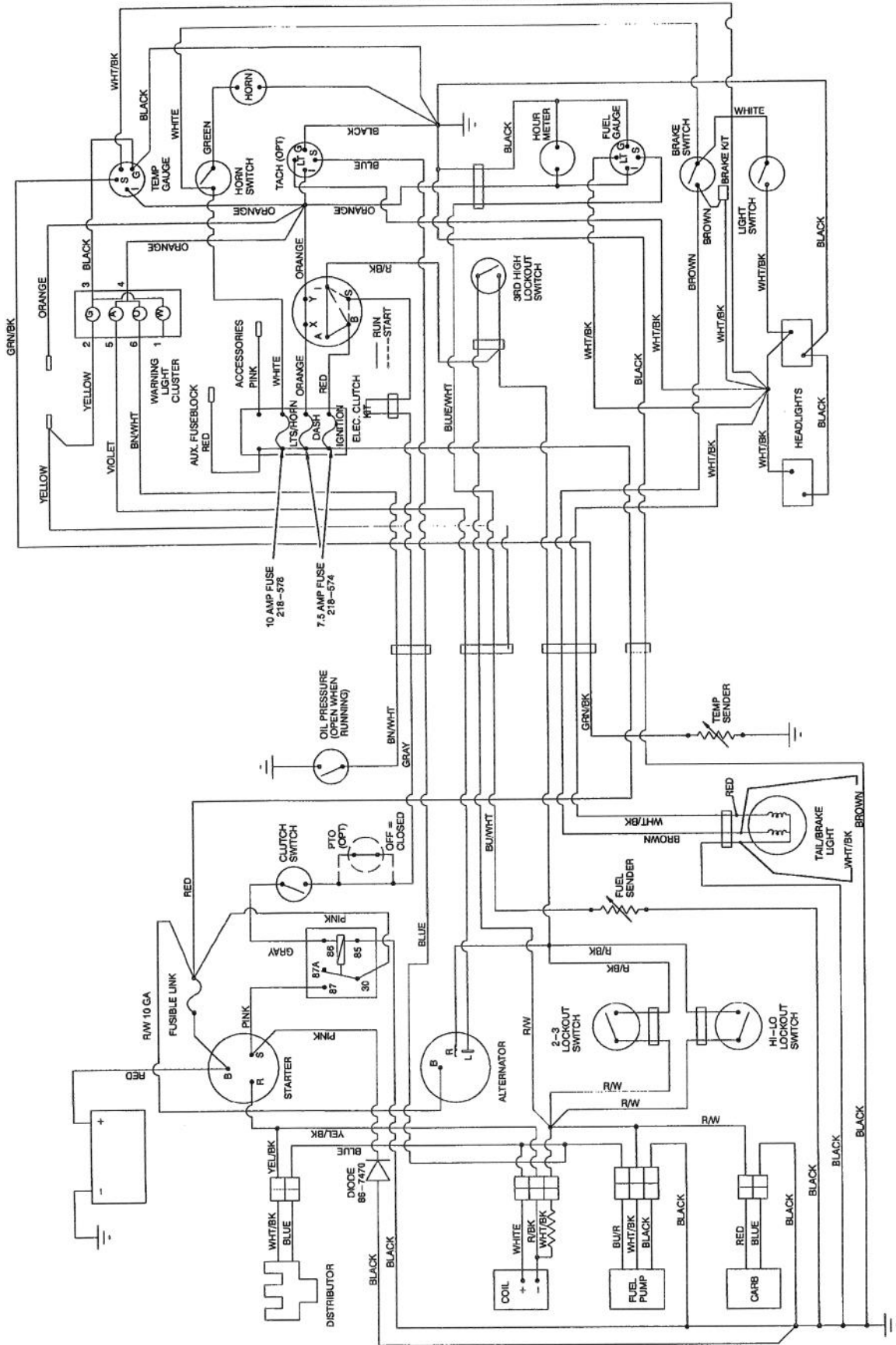
T-1706

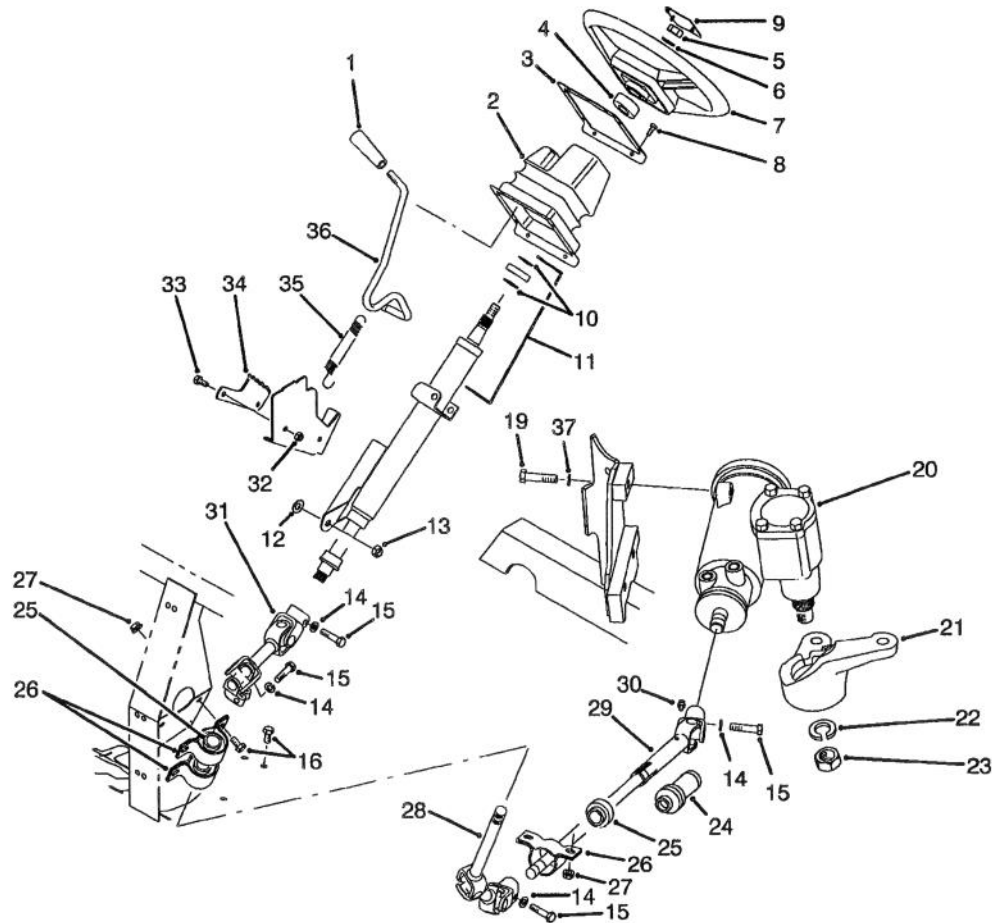
CONTROL PANEL ASSEMBLY (Continued)

Ref. No.	Part No.	Description	No. Used	Ref. No.	Part No.	Description	No. Used
‡54	87-6670	Decal - Fuse Block	1	61	218-578	Fuse - 10 Amp	1
‡55	87-5910	Decal - Supervisor	1	62	20-7150	Toggle Switch Assembly (Incl. Ref. #65)	1
‡56	87-9880	Decal - Dash	1	63	218-473	Boot - Switch	1
57	3253-19	Washer - Lock	3	64	2410-64	Plug - Hole	1
58	3217-29	Nut - Jam	3	65		Nut - Lock	1
59	219-17	Bulb - Warning Light	4				
60	87-6270	Socket & Bulb Assembly (Incl. Ref. #59)	4				

‡For different language versions of this part, see International Decal Cross Reference.

ELECTRICAL SCHEMATIC



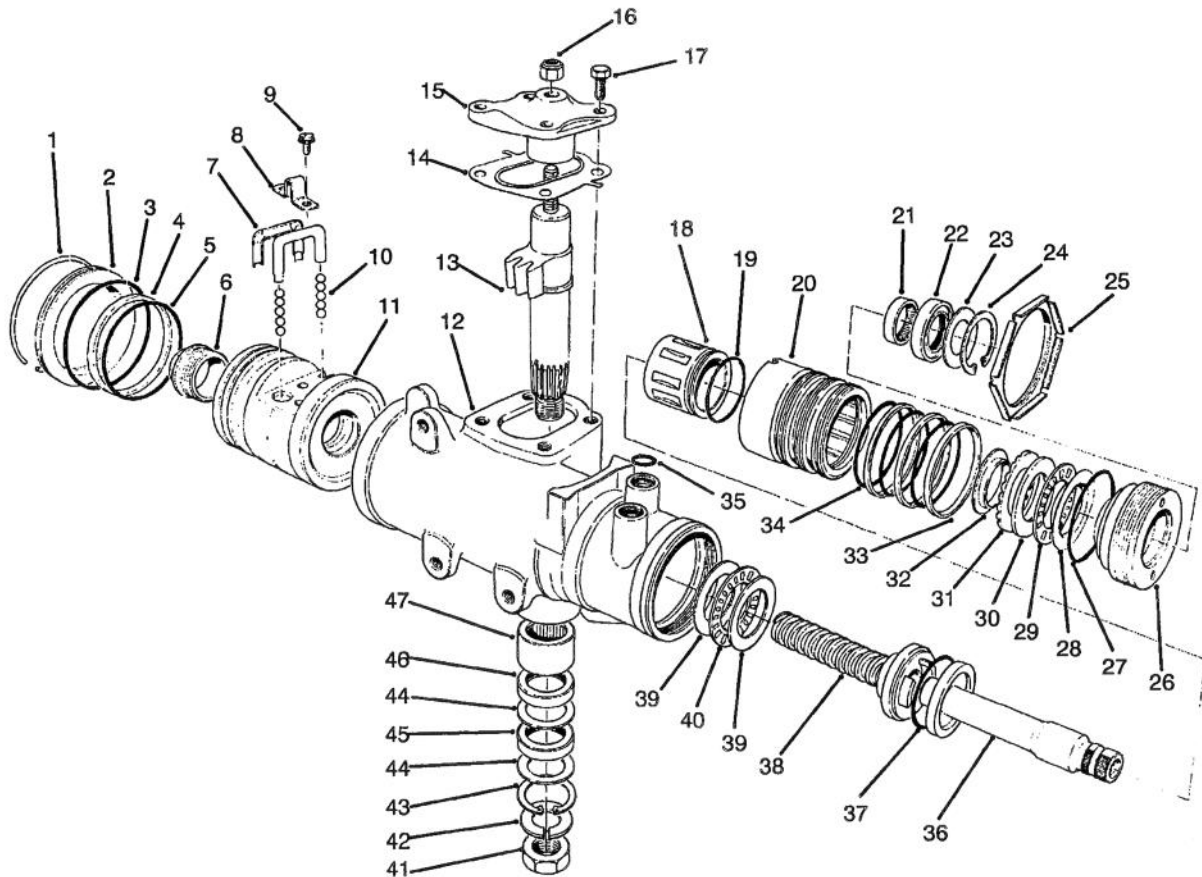


T-2007

STEERING LINKAGE ASSEMBLY

Ref. No.	Part No.	Description	No. Used	Ref. No.	Part No.	Description	No. Used
1	233-39	Knob	1	22	39-7420	Washer - Lock	1
2	87-3460	Boot - Tilt Steering	1	23	39-7440	Nut - Lock	1
3	87-4720	Plate - Steering Boot	1	24	93-8988	Boot - Steering Shaft	1
4	21-9260	Spacer	1	25	87-2280	Bearing	3
5	3277-1	Nut - Hex.	1	26	87-3250	Mount - Bearing	3
6	48-8070	Washer - Flat	1	27	32128-20	Nut - Flange	6
7	87-3820	Wheel - Steering	1	28	92-4155	Slip Joint Assembly - Upper	1
8	32144-116	Screw - Pan Head	8	29	93-8987	Slip Joint Assembly - Lower (Incl. Ref. #24 & 30)	1
9	87-3750	Cover - Steering Wheel	1	30	302-5	Fitting - Grease	1
10	43-6550	Ring - Retaining	2	31	92-4154	Universal Joint Assembly	1
11	92-4153	Assembly - Steering Column (Incl. Ref. #10)	1	32	3296-42	Nut - Lock	2
12	3290-455	Washer	1	33	321-3	Screw - Cap Hex. Hd.	2
13	3296-59	Nut - Lock	1	34	87-3610	Bracket - Detent	1
14	3253-4	Washer - Lock	4	35	65-5360	Spring - Extension	1
15	48-7740	Screw - Cap Hex. Hd.	4	36	87-3130	Lever - Tilt Steering	1
16	322-2	Screw - Cap Hex. Hd.	6	37	87-7480	Washer - Lock	3
19	93-7145	Screw - Cap Hex. Hd.	3	*	87-9160	Lower Shaft Assembly (Incl. Ref. #24 & 28-30)	1
20	87-1500	Steering Gear Assembly (Incl. Ref. #22 & 23)	1	*	87-3120	Steering Column & Shaft (Incl. Ref. #10, 11 & 31)	1
21	87-9640	Arm - Pitman	1				

*Not Illustrated

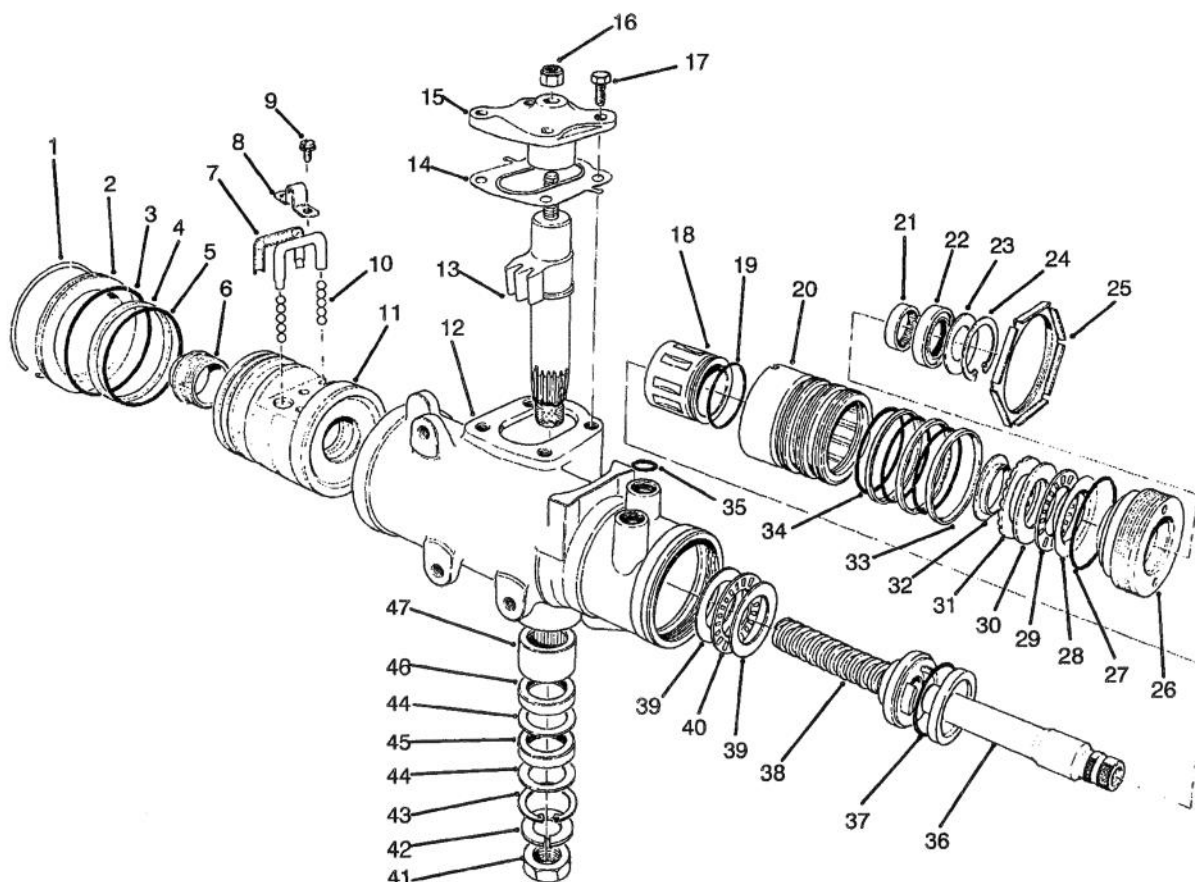


T-1580

STEERING GEAR ASSEMBLY NO. 87-1500

Ref. No.	Part No.	Description	No. Used	Ref. No.	Part No.	Description	No. Used
1		Ring - Retaining	1	26		Plug - Adjuster	1
2	92-4165	Plug - Housing End	1	27	28-8200	O-Ring	1
3		Seal - Housing End Plug	1	28		Race - Upper Bearing	1
4		Ring - Rack Piston	1	29		Bearing - Roller, Thrust	1
5		O-Ring, Rack Piston	1	30		Race - Thrust Bearing	1
6	18-4340	Plug - Rack Piston End	1	31		Spacer - Thrust Bearing	1
7	92-4168	Return - Guide Ball	2	32		Retainer - Bearing	1
8	18-4270	Clamp - Ball Return Guide	1	33		Ring - Valve Body	3
9	18-4260	Assy. - Screw/Lockwasher	2	34		O-Ring	3
10	18-5190	Ball - Chrome Alloy	11	35	39-7310	O-Ring	3
11		Nut - Rack Piston	1	36		Shaft - Stub	1
12		Housing - Steering Gear	1	37		O-Ring	1
13		Gear - Pitman Shaft	1	38		Worm - Steering	1
14	28-8280	Seal Kit - Side Cover (Incl. Ref. #17)	1	39		Race - Thrust Bearing	2
15		Cover - Housing Side	1	40		Bearing - Roller, Thrust	1
16	28-8220	Nut - Lash Adjuster	1	41	39-7440	Nut - Pitman Arm	1
17	28-8210	Bolt - Flange Hex. Hd.	4	42	39-7420	Washer - Lock	1
18		Spool Valve	1	43		Ring - Retaining	1
19		O-Ring, Spool Valve	1	44		Washer - Seal, Backup	2
20		Valve Body	1	45		Seal - Pitman Shaft	1
21	92-4169	Bearing - Needle	1	46		Seal - Pitman Shaft	1
22		Seal - Stub Shaft	1	47	92-4170	Bearing - Pitman Shaft	1
23		Seal - Stub Shaft Dust	1	*	92-4161	Assembly - Cover Service Housing Side (Incl. Ref. #14-17)	1
24		Ring - Retaining	1				
25	92-4159	Nut - Adjuster Plug Lock	1				

*Not Illustrated

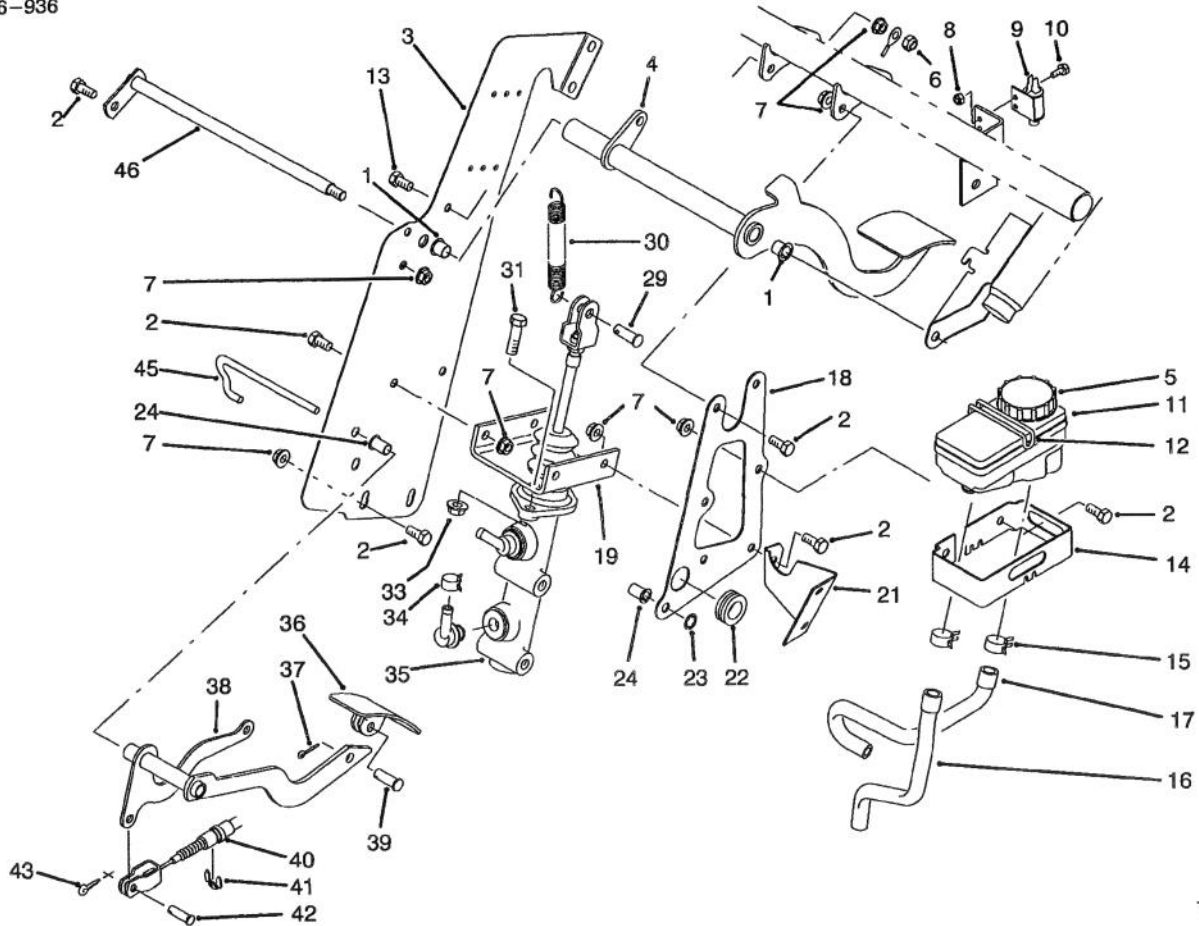


T-1580

STEERING GEAR ASSEMBLY NO. 87-1500

Ref. No.	Part No.	Description	No. Used	Ref. No.	Part No.	Description	No. Used
*	28-8270	Seal Service Kit - End Plug (Incl. Ref. #1 & 3)	1	*	92-4162	Pitman Shaft - Gear Service (Incl. Ref. #13-15 & 17)	1
*	28-8290	Seal Service Kit Rack/Piston (Incl. Ref. #4 & 5)	1	*	92-4158	Valve Assy. - Hyd. Gear (Incl. Ref. #18-20, 33, 34, 36 & 37)	1
*	18-5180	Bearing Kit - Lower Thrust (Incl. Ref. #39-40)	1	*	92-4160	Bearing Service Kit - Upper (Incl. Ref. #28-32)	1
*	18-5160	Seal Kit - Pitman Shaft (Incl. Ref. #43-46)	1	*	92-4166	Rack/Piston/Nut Assembly (Incl. Ref. #1-11 & 38)	1
*	18-5170	Seal Kit - Valve Ring (Incl. Ref. #19, 33, 34 & 37)	1	*	92-4164	Plug Assy. - Service Adjust. (Incl. Ref. #21-24 & 26-32)	1
*	92-4163	Assy. - Steering Housing (Incl. Ref. #12 & 43-47)	1	*	87-1500	Steering Gear (Complete)	1
*	92-4167	Assembly - Plug Service (Incl. Ref. #22-24 & 27)	1				

*Not Illustrated

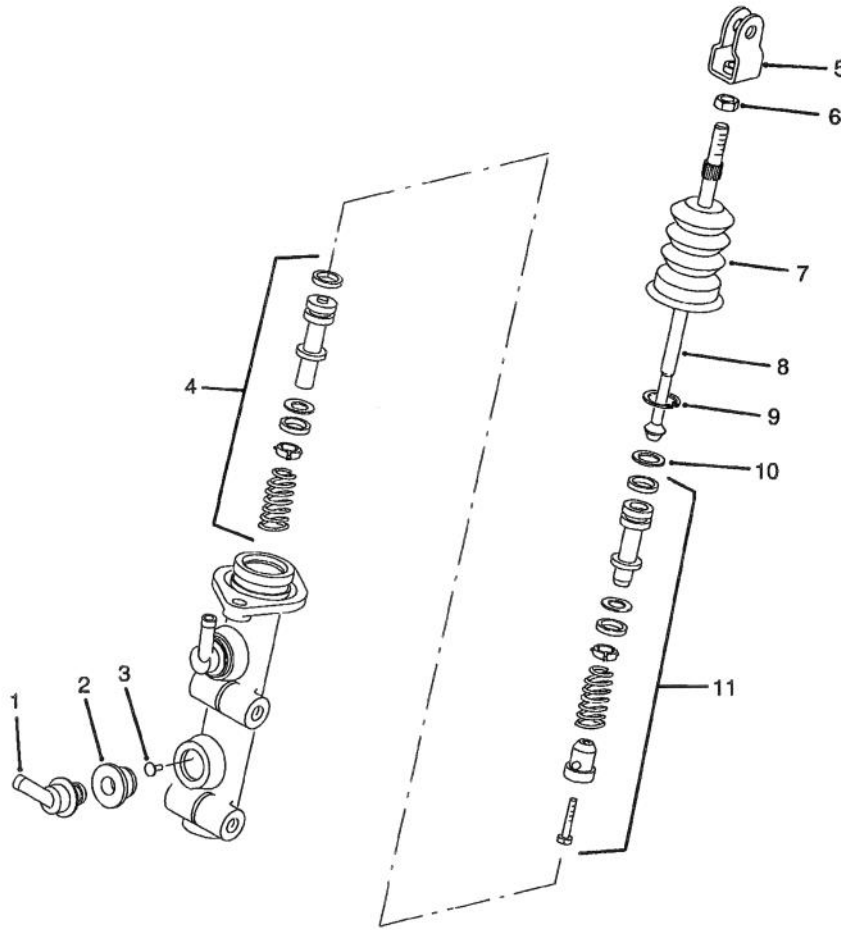


T-1585

BRAKE & ACCELERATOR PEDAL ASSEMBLY

Ref. No.	Part No.	Description	No. Used
1	256-257	Bushing - Flange	2
2	322-2	Screw - Cap Hex. Hd.	12
3	87-2910	Support - Pedal RH	1
4	87-2540	Pedal - Brake	1
5	92-4112	Assembly - Cap	1
6	3296-29	Nut - Lock	1
7	32128-20	Nut - Flange Lock	13
8	3296-2	Nut - Lock	2
9	55-7120	Switch - Brake Light	1
10	3290-321	Screw - Hex. Flange Hd.	2
11	87-3040	Brake Fluid Reservoir Assy. (Incl. Ref. #5)	1
12	87-7570	Retainer - Reservoir	1
13	322-5	Screw - Cap Hex. Hd.	1
14	87-2890	Cradle - Reservoir	1
15	2412-143	Clamp - Hose	2
16	87-0670	Hose - Reservoir Front	1
17	87-0660	Hose - Reservoir Rear	1
18	87-2660	Support - Pedal LH	1
19	87-2640	Support - Master Cylinder	1

Ref. No.	Part No.	Description	No. Used
21	87-2650	Gusset	1
22	240-6	Grommet	1
23	32151-56	Ring - Push-On	1
24	52-2890	Bushing - Flange	2
29	283-2	Pin - Clevis	1
30	21-1830	Spring - Extension	1
31	323-7	Screw - Cap Hex. Hd.	2
33	3290-357	Nut - Flange Lock	2
34	2412-144	Clamp - Hose	2
35	87-3030	Master Cylinder Assembly	1
36	87-2670	Pedal - Accelerator	1
37	3272-6	Pin - Cotter	1
38	87-4790	Arm - Accelerator Pedal	1
39	283-85	Pin - Clevis	1
40	93-7098	Cable - Accelerator	1
41	32120-47	Ring - E	1
42	283-30	Pin - Clevis	1
43	3272-10	Pin - Cotter	1
45	87-2880	Shaft - Accelerator Pedal	1
46	87-2590	Shaft - Brake Pedal	1

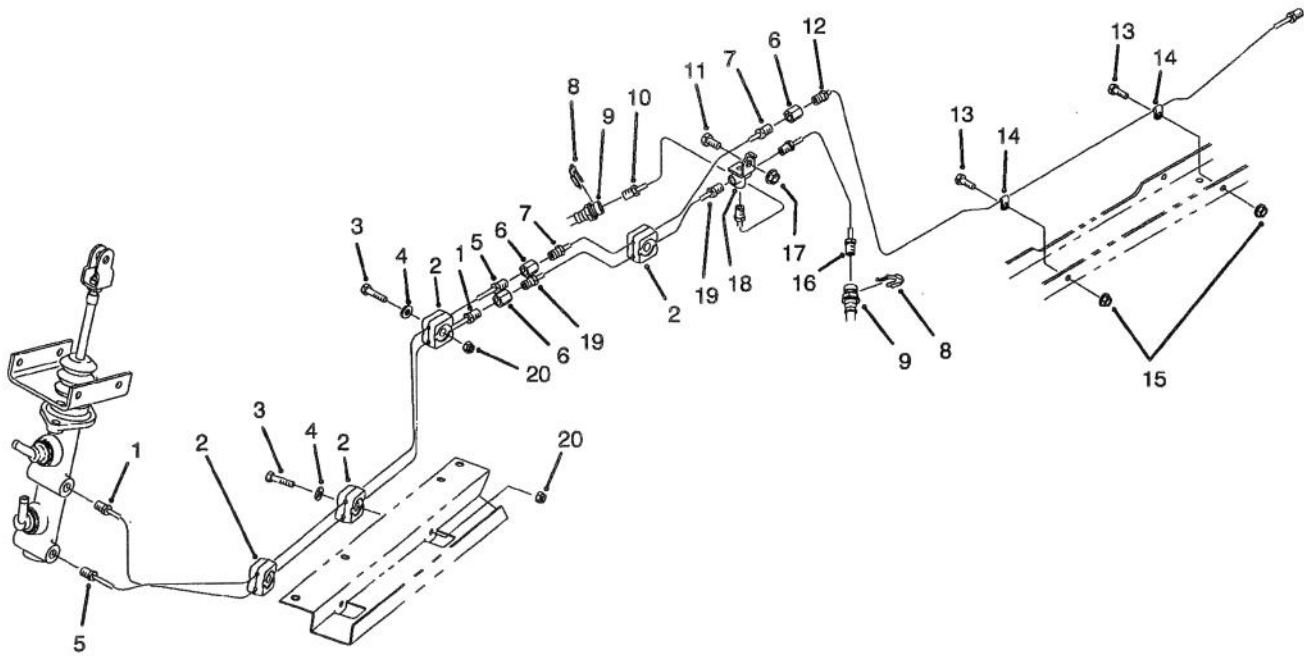


T-1586

MASTER BRAKE CYLINDER NO. 87-3030

Ref. No.	Part No.	Description	No. Used
1	92-4104	Adaptor - Pipe Fitting	2
2		Seal	2
3	92-4103	Pin - Stop	1
4	92-4102	Secondary Piston Assembly	1
5	92-4110	Clevis	1
6	21-0360	Nut	1

Ref. No.	Part No.	Description	No. Used
7	92-4107	Dust Cover	1
8	92-4106	Rod - Push	1
9	92-4109	Circlip	1
10	92-4108	Washer - Retainer	1
11	92-4101	Primary Piston Assembly	1



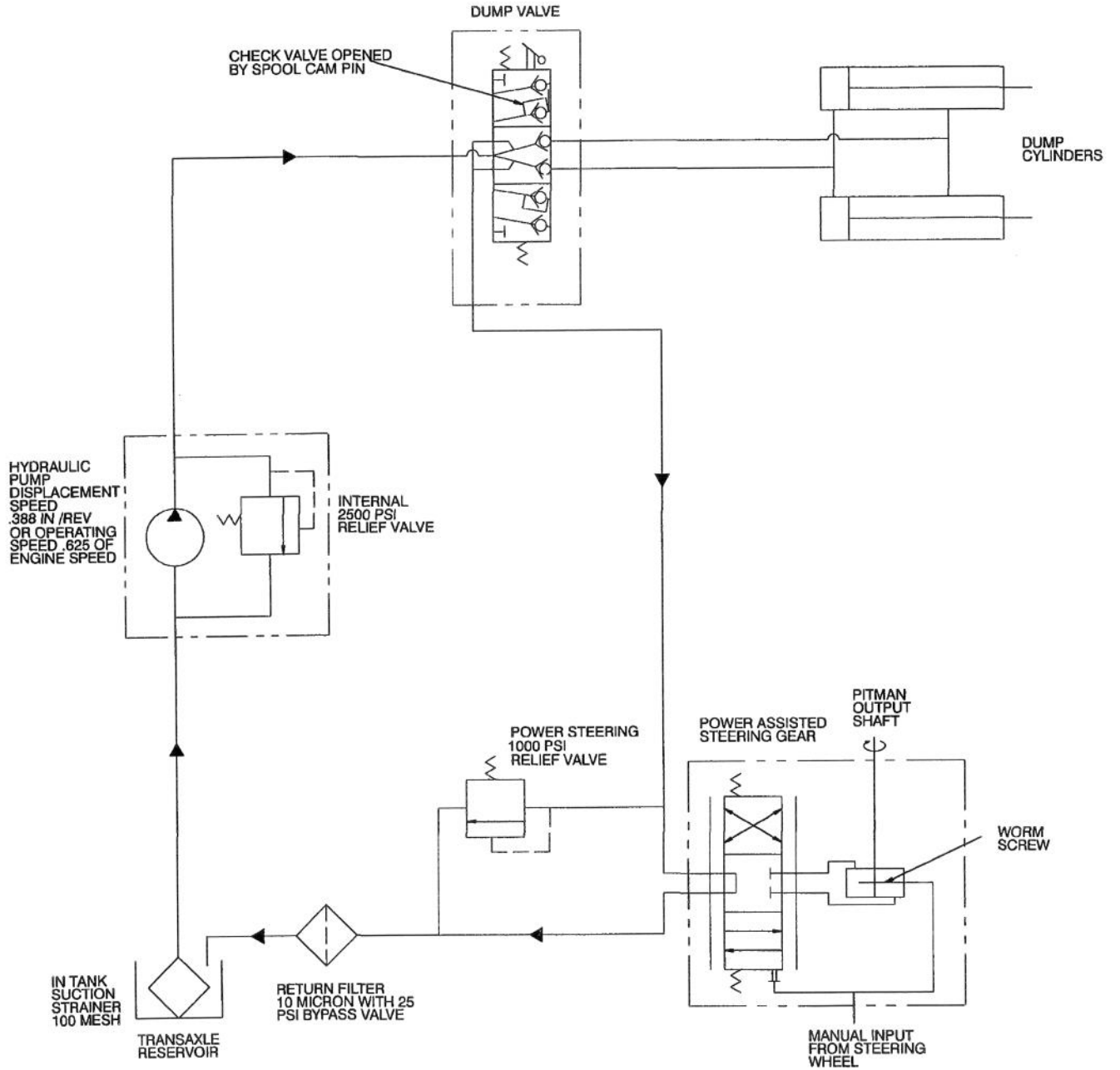
T-1990

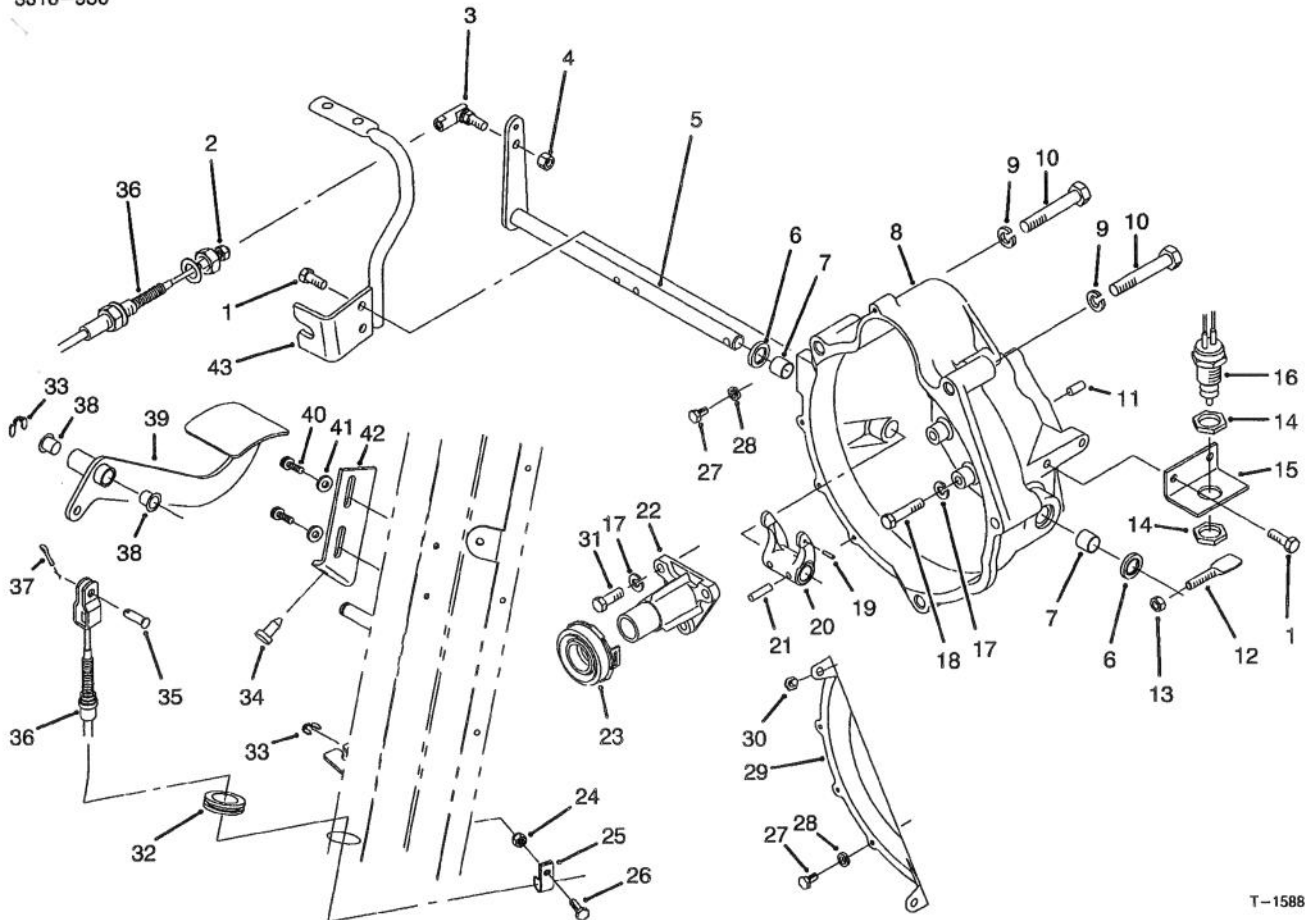
HYDRAULIC BRAKE LINE ROUTING ASSEMBLY

Ref. No.	Part No.	Description	No. Used
1	93-7083	Tube - Brake Front	1
2	87-7660	Clamp - Brake Line	8
3	321-9	Screw - Cap Hex. Hd.	4
4	3256-22	Washer - Flat	5
5	93-7084	Tube - Brake Rear	1
6	87-3570	Fitting - Union	2
7	93-7086	Tube - Brake Rear	1
8	87-3580	Retainer - Brake Hose	2
9	93-7059	Hose - Brake Front	2
10	93-7081	Tube - Brake Front RH	1

Ref. No.	Part No.	Description	No. Used
11	322-2	Screw - Cap Hex. Hd.	1
12	93-7087	Tube - Brake Rear	1
13	321-4	Screw - Cap Hex. Hd.	2
14	2412-149	R-Clamp	2
15	32128-33	Nut - Flange Head	2
16	93-7082	Tube - Brake Front LH	1
17	32128-20	Nut - Flange	1
18	87-3560	Tee - Brake Line	1
19	93-7085	Tube - Brake Front	1
20	3296-42	Nut - Lock	4

HYDRAULIC SCHEMATIC



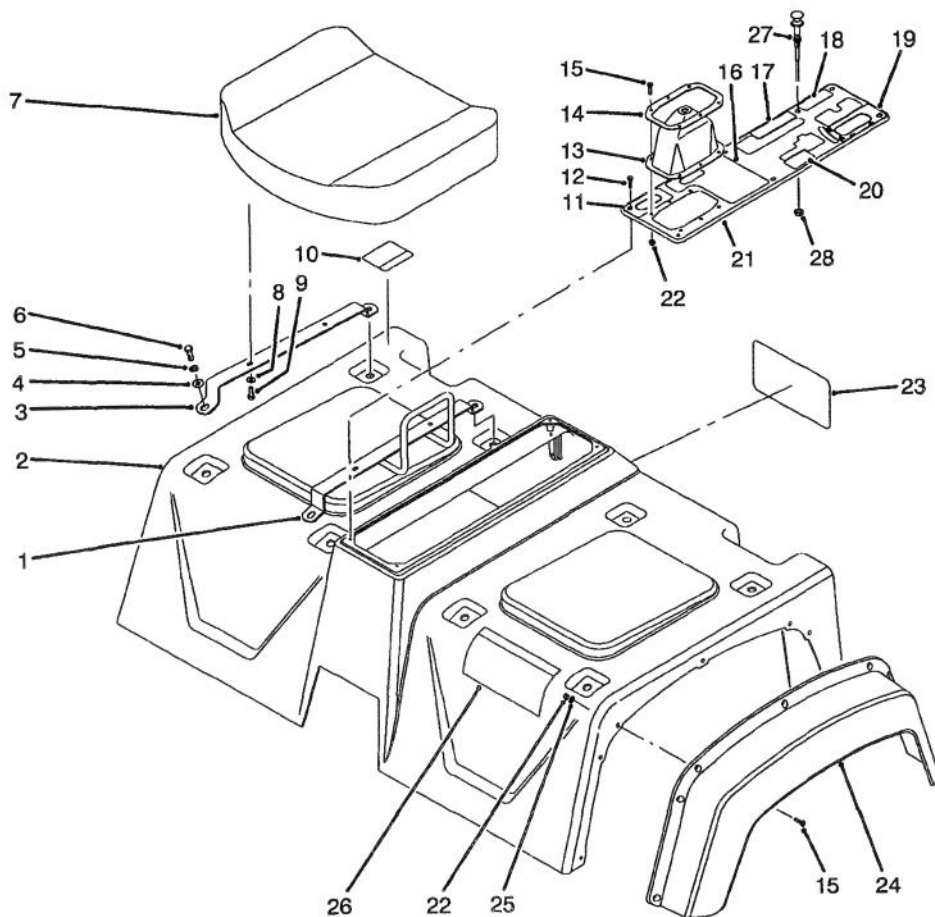


T-1588

CLUTCH LINKAGE ASSEMBLY

Ref. No.	Part No.	Description	No. Used
1	66-3160	Screw - Cap Hex. Hd.	2
2	3220-2	Nut - Jam	1
3	2411-33	Joint - Ball	1
4	3296-4	Nut - Lock	1
5	87-5290	Shaft - Release	1
6	87-1920	Seal - Shaft	2
7	87-3770	Bushing - Sleeve	2
8	93-7121	Housing - Bell	1
9	3253-22	Washer - Lock	4
10	56-2150	Screw - Cap Hex. Hd.	4
11	87-1910	Pin - Alignment	2
12	87-5360	Lever	1
13	3296-29	Nut - Lock	1
14	3218-20	Nut - Jam	2
15	87-5350	Bracket - Switch	1
16	87-5490	Switch - Neutral	1
17	42-9850	Washer - Lock	12
18	42-9530	Screw - Cap Hex. Hd.	9
19	32121-7	Pin - Roll	1
20	87-5300	Fork - Clutch	1
21	32121-24	Pin - Roll	2
22	87-5320	Guide - Release	1

Ref. No.	Part No.	Description	No. Used
23	87-2100	Bearing - Release	1
24	32128-33	Nut - Flange Lock	1
25	2412-89	Clamp - R	1
26	321-4	Screw - Cap Hex. Hd.	1
27	48-7610	Screw - Cap Hex. Hd.	4
28	3253-3	Washer - Lock	4
29	92-1938	Cover - Bell Housing	1
30	92-2129	Screw - Cap Hex. Hd.	2
31	57-6380	Screw - Cap Hex. Hd.	3
32	240-5	Grommet	1
33	32120-47	Ring - E	2
34	87-8460	Bumper	1
35	283-30	Pin - Clevis	1
36	93-7091	Clutch Cable Assembly (Incl. Ref. #2)	1
37	3272-10	Pin - Cotter	1
38	256-257	Bushing - Flange	2
39	87-2610	Pin - Cotter	1
40	87-6620	Screw - Torx Pan Hd.	2
41	3256-22	Washer - Flat	2
42	87-8710	Tab - Clutch	1
43	87-8480	Bracket - Clutch	1

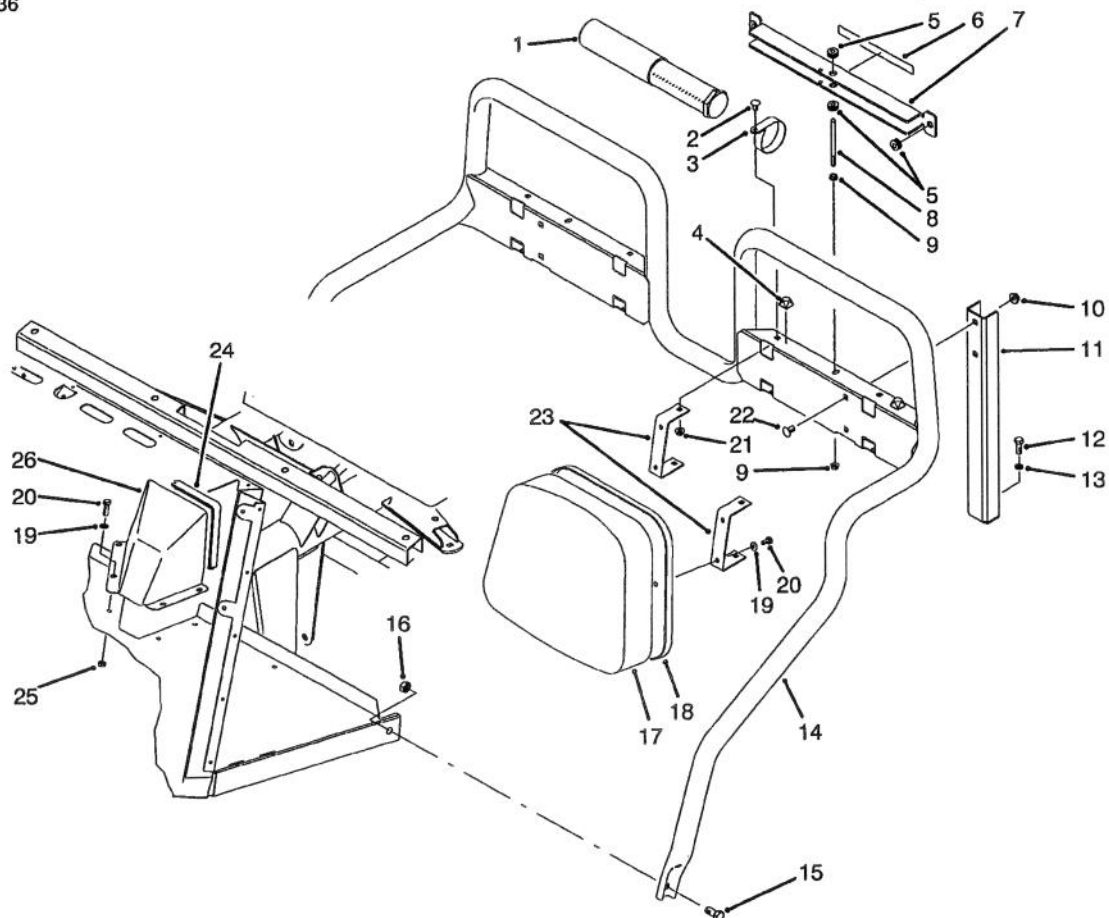


T-2093

SEAT BASE ASSEMBLY

Ref. No.	Part No.	Description	No. Used	Ref. No.	Part No.	Description	No. Used
1	87-6890	Hold - Hand	1	14	87-3760	Plate - Shift Boot	1
2	92-4199	Skirt Assembly (Incl. Ref. #10 & 26)	1	15	3250-13	Screw - Hex. Hd.	20
3	87-3800	Bracket - Seat Bottom	3	‡16	87-5970	Decal - PTO	1
4	3256-23	Washer - Flat	4	‡17	87-6000	Decal - Differential Lock	1
5	3253-4	Washer - Lock	8	‡18	92-2609	Decal - Remote Hydraulics	1
6	322-5	Screw - Cap Hex. Hd.	8	‡19	87-6010	Decal - Dump Hydraulics	1
7	87-5060	Cushion - Seat Bottom	2	‡20	87-6020	Decal - Parking Brake	1
8	3256-22	Washer - Flat	8	21	87-8080	Console Plate Assembly (Incl. Ref. #11 & 16-20)	1
9	321-4	Screw - Cap Hex. Hd.	8	22	3296-2	Nut - Lock	20
‡10	87-5930	Decal - Caution	1	‡23	87-9100	Decal - Quick Reference	1
‡11	87-5960	Decal - Axle Range	1	24	87-9480	Fender - Front	2
12	32144-52	Screw - Hex. Hd.	6	25	3256-61	Washer - Flat	14
13	87-8620	Boot - Shift	1	‡26	87-5920	Decal - Danger	1

‡For different language versions of this part, see International Decal Cross Reference.

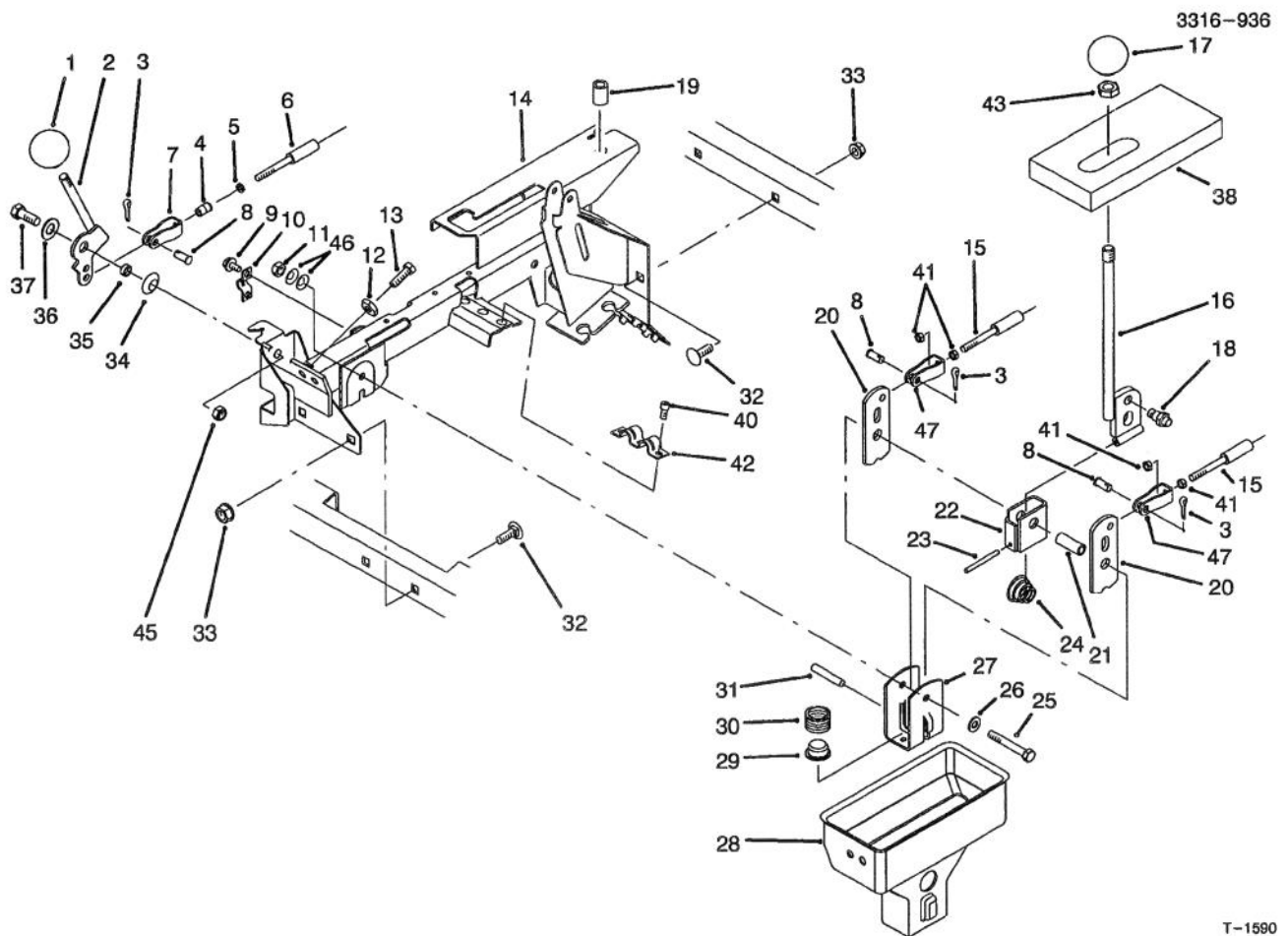


T-2009

SEAT BACK ASSEMBLY

Ref. No.	Part No.	Description	No. Used	Ref. No.	Part No.	Description	No. Used
1	74-0720	Tube - Manual	1	14	87-6170	Frame - Seat	1
2	3230-18	Bolt - Carriage	8	15	325-4	Screw - Cap Hex. Hd.	2
3	2412-133	Clamp - R	2	16	3296-23	Nut - Lock	2
4	111071	Bumper	2	17	87-6290	Cushion - Seat Back	2
5	92-5972	Grommet	4	18	87-6280	Plate - Seat Back	2
†6	87-7930	Decal - Danger	1	19	3256-22	Washer - Flat	12
7	87-7950	Bed Support Assembly (Incl. Ref. #5 & 6)	1	20	322-2	Screw - Cap Hex. Hd.	12
8	87-7940	Stud	1	21	32128-20	Nut - Flange Lock	8
9	32128-44	Nut - Flange Lock	2	22	3231-21	Bolt - Carriage	4
10	3290-357	Nut - Flange Lock	4	23	87-6240	Bracket - Seat Back	4
11	87-2510	Bracket - Seat Frame	2	24	87-0710	Trim	1
12	323-6	Screw - Cap Hex. Hd.	2	25	32128-20	Nut - Lock	4
13	3253-21	Washer - Lock	2	26	2412-10	Clamp - R	1
				27	87-9650	Cover - Steering Gear	1

†For different language versions of this part, see International Decal Cross Reference.



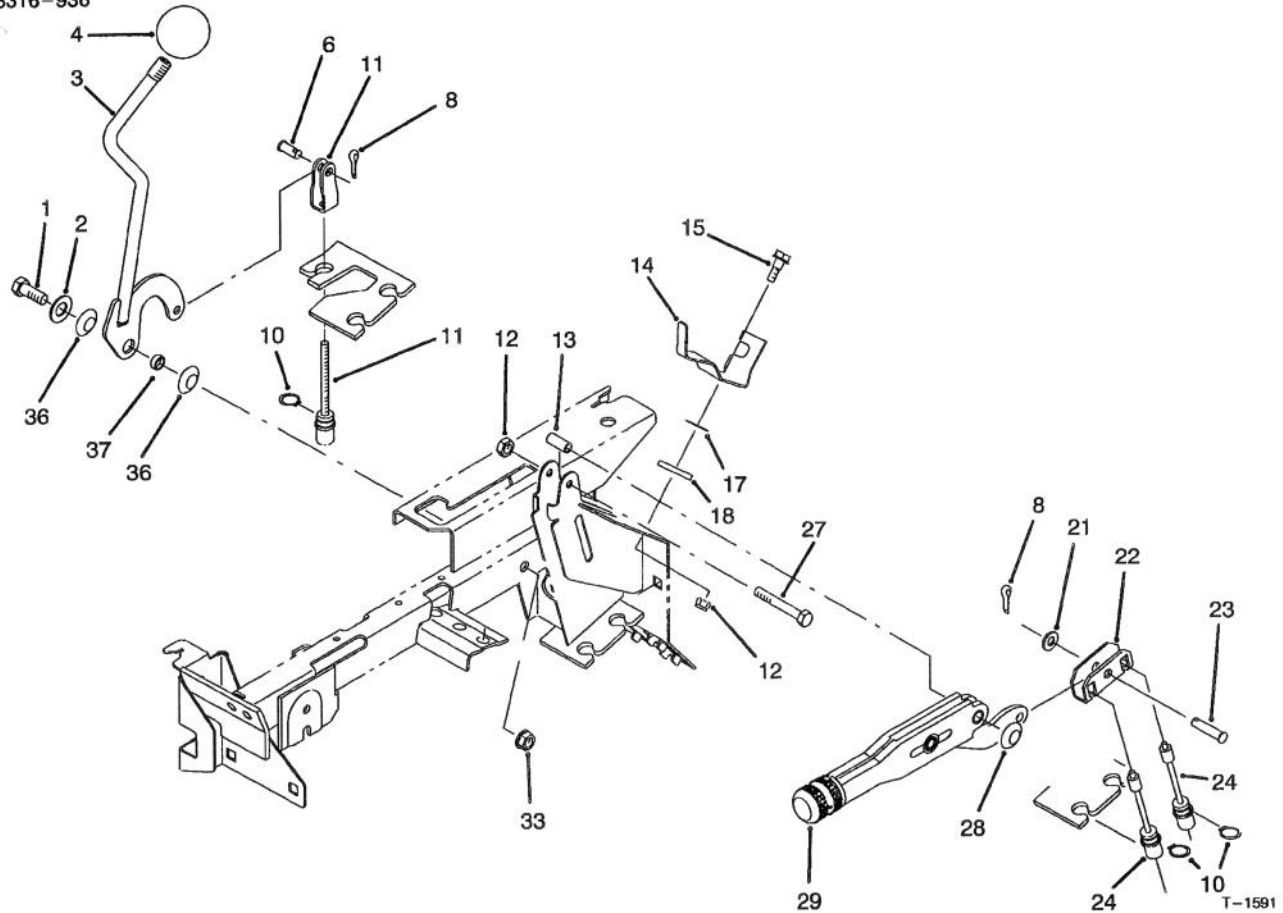
T-1590

HI-LO & SHIFT LEVER ASSEMBLIES

Ref. No.	Part No.	Description	No. Used
1	233-37	Knob	1
2	87-4350	Lever - Hi-Lo	1
3	3272-6	Pin - Cotter	3
4	32148-15	Insert - Threaded	1
5	3219-14	Nut	1
6	93-7106	Hi-Lo Cable Assembly (Incl. Ref. #5)	1
7	87-7160	Assembly - Clevis, Cable (Incl. Ref. #4)	1
8	283-62	Pin - Clevis	3
9	32144-4	Screw - Hex. Washer Hd.	2
10	87-4340	Clamp - Cable	1
11	3296-58	Nut - Lock	1
12	3220-3	Nut - Jam	2
13	3211-8	Screw - Cap Hex. Hd.	2
14	87-8110	Lever Support Assembly (Incl. Ref. #19)	1
15	93-7105	Cable Assembly (Incl. Ref. #41)	2
16	87-2040	Lever - Shift	1
17	87-6720	Knob	1
18	87-3650	Pin - Shift	1
19	32148-7	Nut - Clinch	2
20	87-3540	Link - Shift	2
21	87-2520	Tube - Pivot	1

Ref. No.	Part No.	Description	No. Used
22	87-6040	Bracket - Shifter	1
23	32121-48	Pin - Roll	1
24	87-2900	Spring - Compression	1
25	322-12	Screw - Cap Hex. Hd.	1
26	87-8640	Washer - Flat	1
27	87-3520	Clevis	1
28	87-2260	Boot - Shift Lower	1
29	87-3530	Button - Shifter	1
30	87-3660	Spring - Compression	1
31	3290-507	Pin - Dowel	1
32	3231-21	Bolt - Carriage	4
33	3290-357	Nut - Flange Lock	4
34	3290-221	Washer - Spring	1
35	76-9100	Spacer - Hi-Lo Lever	1
36	49-9150	Washer - Flat	1
37	323-6	Screw - Cap Hex. Hd.	1
38	87-6570	Foam - Seal	1
40	65-5220	Screw - Hex. Socket Hd.	3
41	3220-1	Nut - Jam	4
42	87-4960	Clamp - Cable	1
43	3218-18	Nut - Jam	1
45	3296-39	Nut - Lock	1
46	3290-456	Washer - Belleville	2
47	87-2310	Clevis - Cable	2

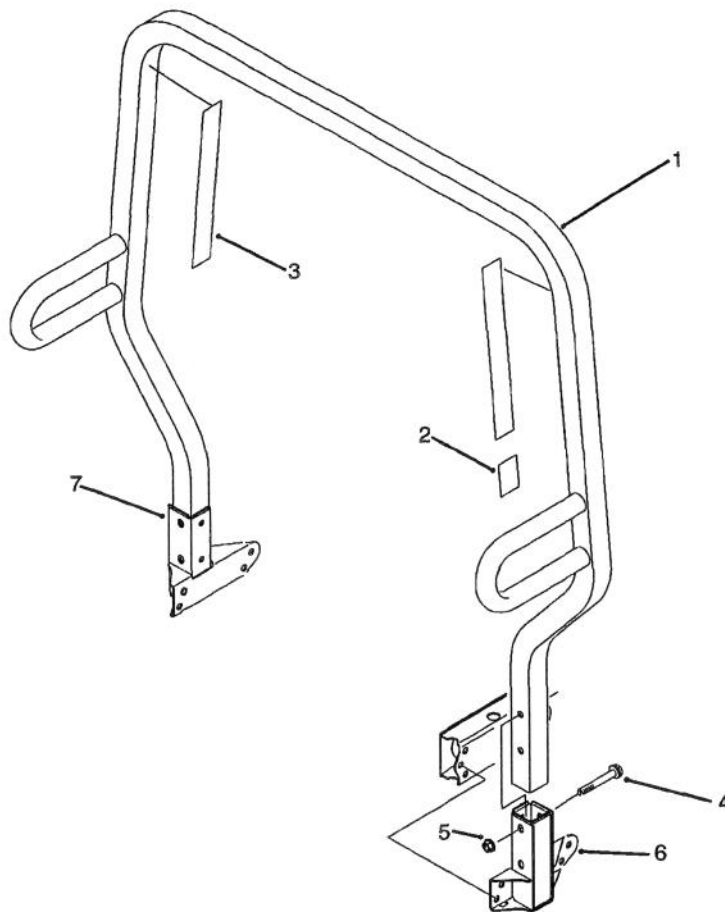
3316-936



DIFFERENTIAL LOCK & PARKING BRAKE ASSEMBLIES

Ref. No.	Part No.	Description	No. Used
1	323-6	Screw - Cap Hex. Hd.	1
2	49-9150	Washer - Flat	1
3	87-5030	Lever - Differential Lock	1
4	233-48	Knob	1
6	283-62	Pin - Clevis	1
8	3272-10	Pin - Cotter	1
10	32120-47	Ring - Retaining	3
11	87-4460	Differential Lock Cable	1
12	3296-42	Nut - Lock	1
13	87-4710	Spacer - Barking Brake	1
14	87-6640	Lever - Dump Stop	1
15	42-3560	Screw - Shoulder	1

Ref. No.	Part No.	Description	No. Used
17	3290-478	Washer - Belleville	1
18	71-5320	Washer - Flat	1
21	3256-23	Washer - Flat	1
22	87-3480	Plate - Brake Equalizer	1
23	283-14	Pin - Clevis	1
24	93-7107	Cable - Parking Brake	2
27	321-9	Screw - Cap Hex. Hd.	1
28	3290-477	Washer - Curved	1
29	87-2710	Lever - Parking Brake	1
33	3296-39	Nut - Lock	1
36	3290-221	Washer - Spring	2
37	76-2290	Spacer	1

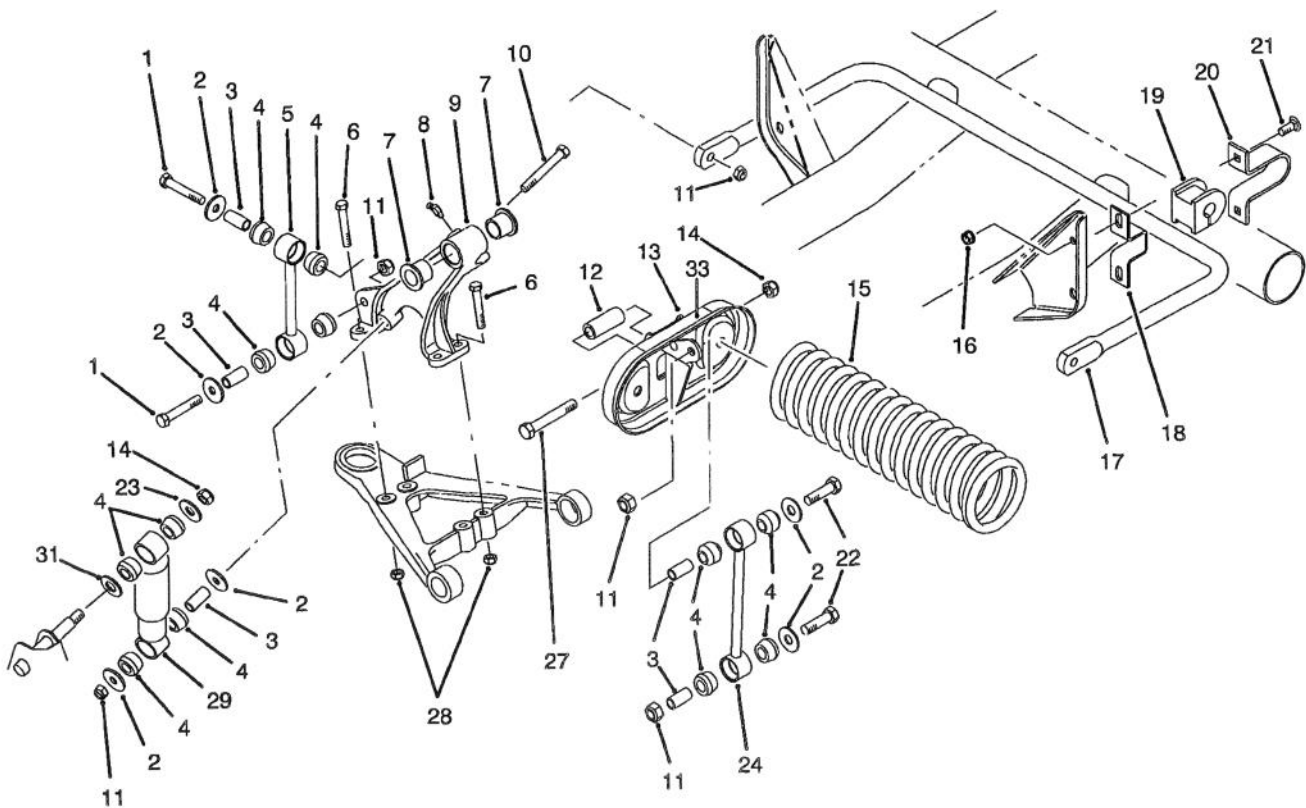


T-1592

R.O.P.S. ASSEMBLY

Ref. No.	Part No.	Description	No. Used	Ref. No.	Part No.	Description	No. Used
1	87-7090	Assembly - Frame, R.O.P.S. (Incl. Ref. #2 & 3)	1	4	3234-40	Screw - Hex. Flange Hd.	4
‡2	87-5940	Decal - Rollover	1	5	32128-23	Nut - Flange Lock	4
‡3	87-5980	Decal - ROPS	2	6	87-6950	Receiver - LH	1
				7	87-6960	Receiver - RH	1

‡For different language versions of this part, see International Decal Cross Reference.



T-1593

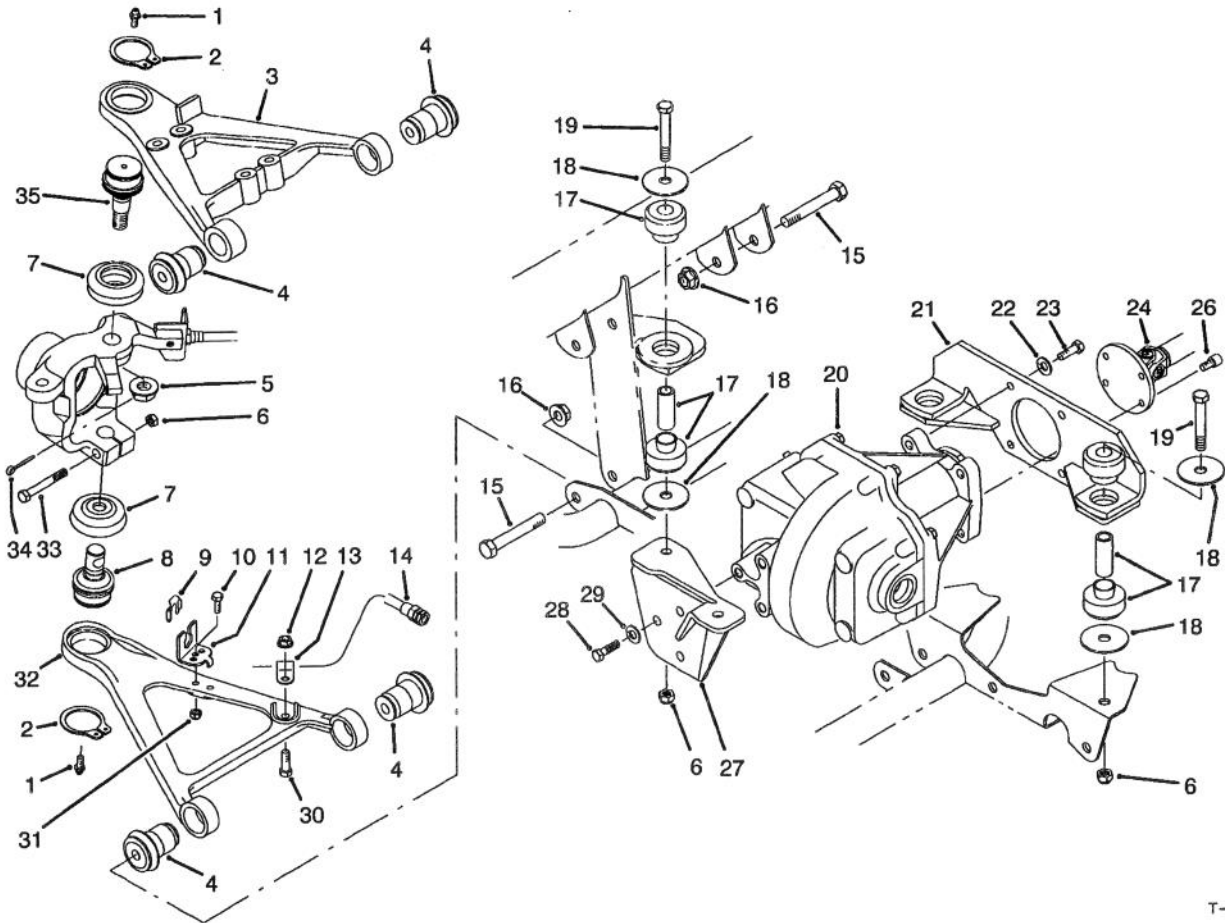
FRONT SUSPENSION ASSEMBLY

Ref. No.	Part No.	Description	No. Used
1	324-10	Screw - Cap Hex. Hd.	4
2	87-5330	Washer	8
3	87-3600	Spacer	10
4	87-3920	Bushing - Rubber	16
5	87-3860	Link - Anti-Sway Bar	2
6	323-12	Screw - Cap Hex. Hd.	8
7	33-3090	Bushing - Flange	4
8	302-11	Fitting - Grease	1
9	87-0150	Tower - Control Arm RH	1
*	87-0160	Tower - Control Arm LH	1
10	324-13	Screw - Cap Hex. Hd.	2
11	3296-48	Nut - Lock	10
12	87-2500	Sleeve - Spring Pivot	2
13	87-7150	Assembly - Cradle, Spring (Incl. Ref. #33)	2
14	3296-23	Nut - Lock	4

Ref. No.	Part No.	Description	No. Used
15	87-0690	Spring - Compression	2
16	3290-357	Nut - Flange Lock	4
17	87-3850	Bar - Anti-Sway	1
18	87-3890	Bracket - Anti-Sway Bar	2
19	87-3910	Bushing - Anti-Sway Bar	2
20	87-4010	Clamp - Anti-Sway Bar	2
21	3231-3	Bolt - Carriage	4
22	324-9	Screw - Cap Hex. Hd.	4
24	87-2480	Link - Stabilizer	2
27	325-13	Screw - Cap Hex. Hd.	4
28	3296-39	Nut - Lock	8
29	87-3110	Absorber - Shock	2
31	3256-27	Washer - Flat	2
32	3256-6	Washer - Flat	2
‡33	44-0760	Decal - Warning	2

*Not Illustrated

‡For different language versions of this part, see International Decal Cross Reference.



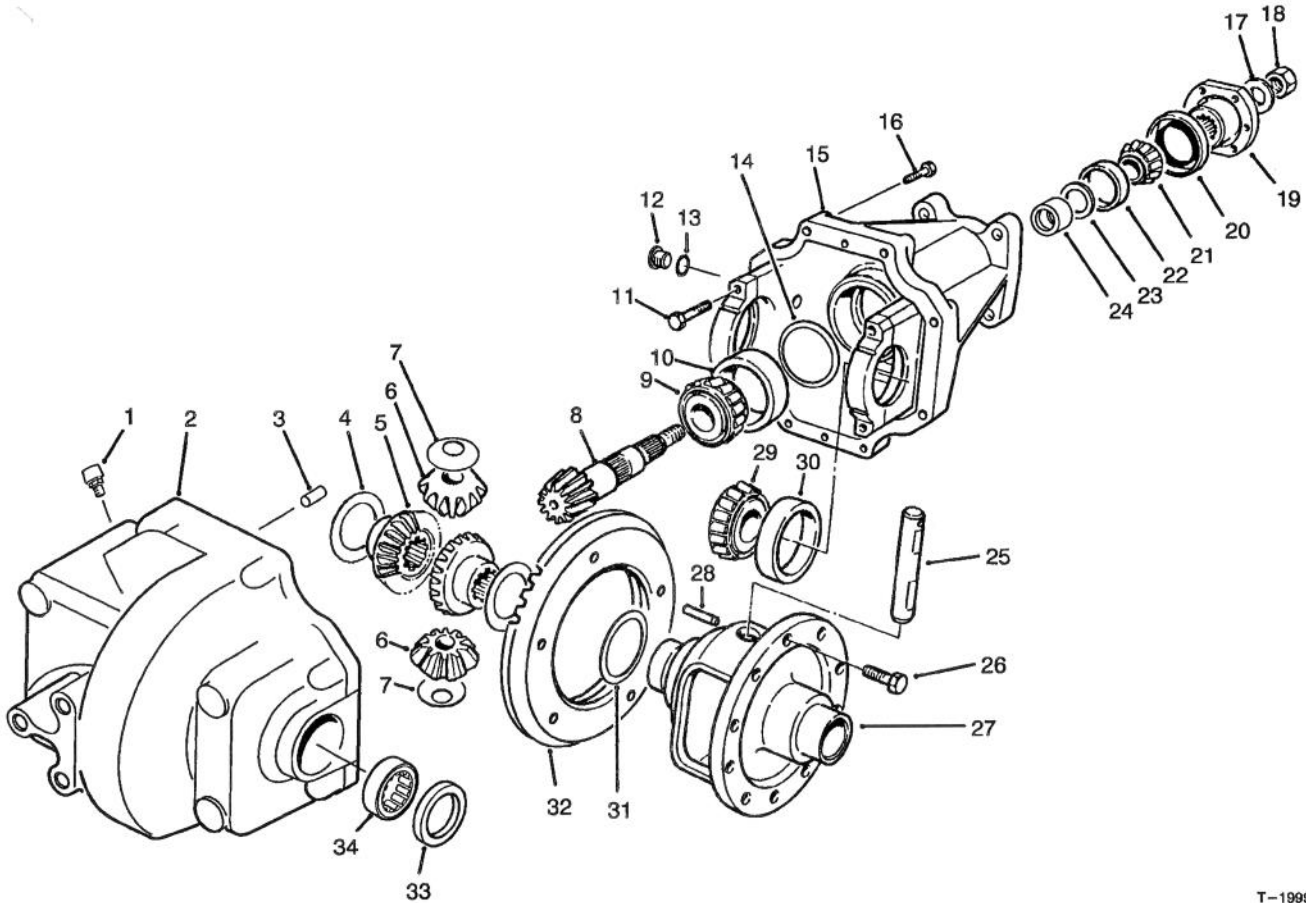
T-1891

FRONT SUSPENSION CONTROL ARM ASSEMBLY

Ref. No.	Part No.	Description	No. Used
1	302-5	Fitting - Grease	4
2	32151-104	Ring - Retaining	4
3	93-7135	Arm - Control Upper RH	1
*	93-7133	Arm - Control Upper LH	1
4	87-1450	Bushing - Flange	8
5	32136-2	Nut - Hex. Slotted	2
6	3296-48	Nut - Lock	4
7	87-2420	Seal - Lower Ball	4
8	93-7052	Joint - Ball	2
9	87-3580	Retainer	2
10	321-6	Screw - Cap Hex. Hd.	2
11	93-7070	Bracket - Brake Hose	2
12	32128-20	Nut - Lock	2
13	2412-10	Clamp - R	2
14	93-7059	Hose - Brake Front	2
15	325-13	Screw - Cap Hex. Hd.	2
16	3296-23	Nut - Hex.	8
17	87-4970	Engine Mount Assembly	4

Ref. No.	Part No.	Description	No. Used
18	87-5100	Washer - Snubbing	8
19	324-12	Screw - Cap Hex. Hd.	4
20	93-7054	Front Differential Assembly	1
21	93-7074	Mount - Differential Rear	1
22	3253-21	Washer - Lock	4
23	323-7	Screw - Cap Hex. Hd.	4
24	93-7116	Differential Driveshaft Assy.	1
26	3274-97	Screw - Socket Hex. Hd.	6
27	93-7118	Bracket - Differential Front	1
28	324-5	Screw - Cap Hex. Hd.	3
29	3253-6	Washer - Lock	3
30	322-5	Screw - Cap Hex. Hd.	2
31	3296-42	Nut - Lock	2
32	87-0210	Arm - Control Lower RH	1
*	87-0220	Arm - Control Lower LH	1
33	324-11	Screw - Cap Hex. Hd.	2
34	3272-10	Pin - Cotter	2
35	87-1430	Joint - Upper Ball	2

*Not Illustrated



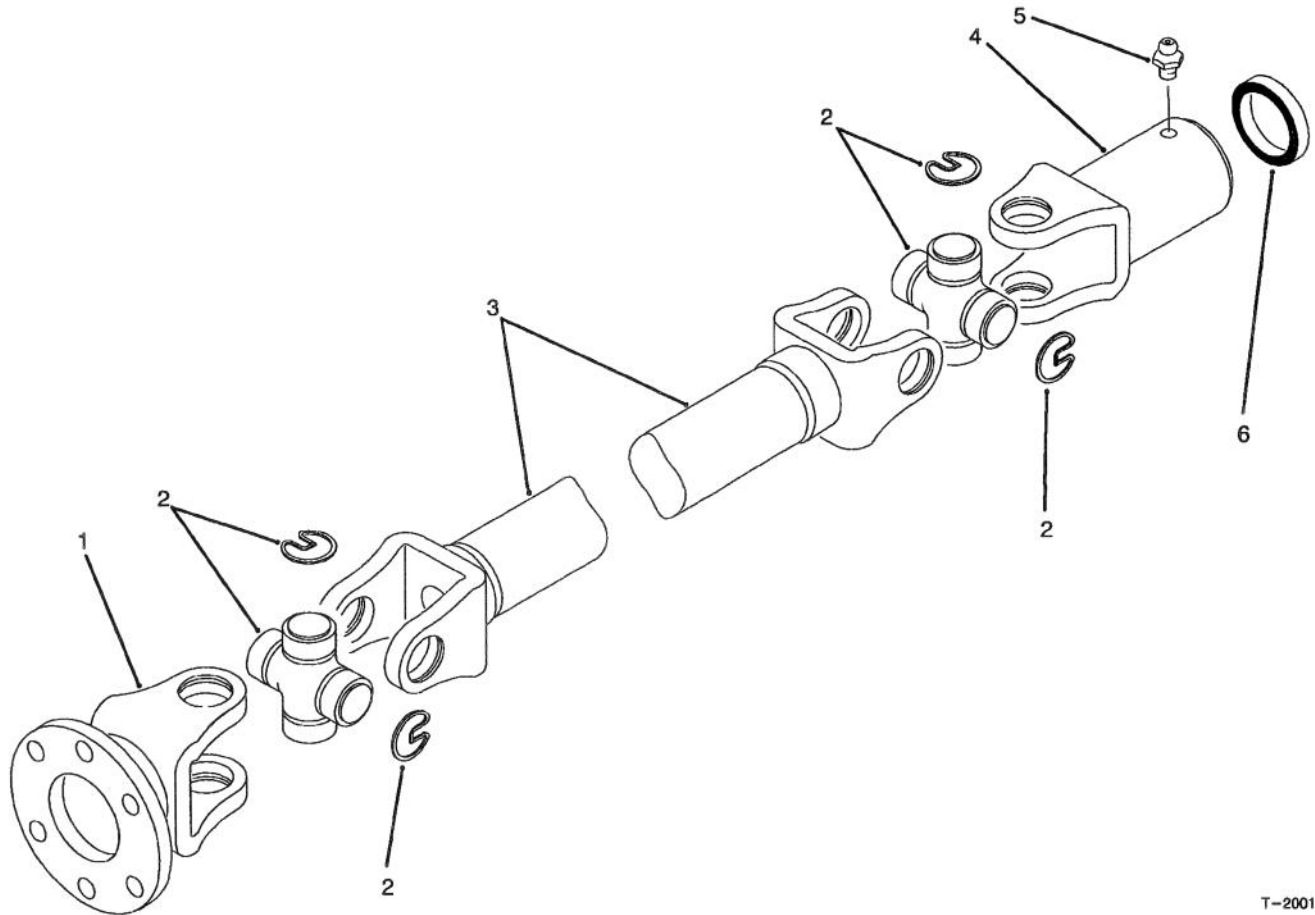
T-1999

FRONT DIFFERENTIAL ASSEMBLY NO. 93-7054

Ref. No.	Part No.	Description	No. Used
1	93-8910	Vent	1
2	93-8908	Housing - Front	1
3	21-8270	Pin - Alignment	2
4	21-7720	Washer - Thrust	2
5	93-8911	Gear - Bevel Side	2
6	21-7690	Gear - Pinion	2
7	21-7730	Washer - Thrust	2
8	93-3618	Pinion & Ring Gear Assy. (Incl. Ref. #32)	1
9	43-6760	Cone - Bearing	1
10	43-6750	Cup - Bearing	1
11	92-1773	Screw - Cap Hex. Hd.	4
12	93-8916	Plug Assembly (Incl. Ref. #13)	2
13	237-79	Seal - O-Ring	2
14	43-6710	Shim - .003"	A/R
*	43-6711	Shim - .005"	A/R
*	43-6712	Shim - .010"	A/R
*	43-6713	Shim - .030"	A/R
15	93-8900	Carrier Assembly (Incl. Ref. #11)	1
16	93-8909	Screw - Cap Hex. Hd.	8
17	71-4340	Washer	1
18	71-4350	Nut - Lock	1
19	93-8903	Flange	1

Ref. No.	Part No.	Description	No. Used
20	71-4330	Seal - Oil	1
21	93-8904	Shim - .003"	A/R
*	93-8905	Shim - .005"	A/R
*	93-8906	Shim - .010"	A/R
*	93-8907	Shim - .030"	A/R
22	264-91	Cone - Bearing	1
23	254-90	Cup - Bearing	1
24	93-8902	Spacer - Bearing	1
25	21-7700	Shaft - Pinion	1
26	21-7770	Screw - Cap Hex. Hd.	5
27	21-7670	Case - Differential	1
28	32121-15	Pin - Roll	1
29	254-65	Cone - Bearing	2
30	254-66	Cup - Bearing	2
31	21-8090	Shim - .003"	A/R
*	21-8100	Shim - .005"	A/R
*	21-8110	Shim - .010"	A/R
*	21-8120	Shim - .030"	A/R
32		Gear - Ring	1
33	93-8918	Seal - Oil	2
34	93-8917	Bearing - Needle	2
*	93-8901	Differential Case Assembly (Incl. Ref. #4-7, 25, 27 & 28)	1

*Not Illustrated



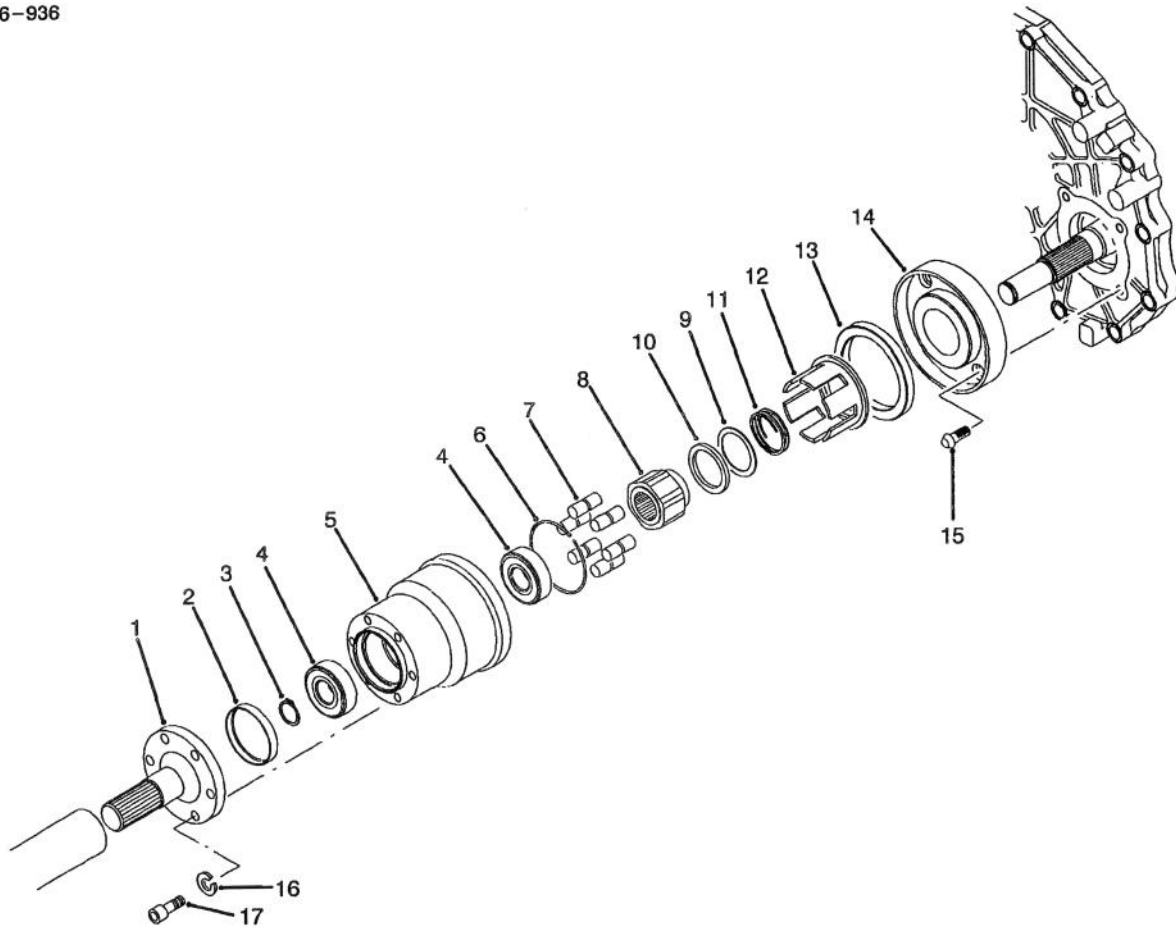
T-2001

DIFFERENTIAL DRIVESHAFT ASSEMBLY NO. 93-7116

Ref. No.	Part No.	Description	No. Used
1	92-4193	Yoke - Flange	1
2	54-9180	Cross & Bearing Kit	2
3	92-4194	Yoke - Tube	1
4	92-4195	Slip Yoke Assembly (Incl. Ref. #5)	1

Ref. No.	Part No.	Description	No. Used
5	302-11	Fitting - Grease	1
6	92-4196	Seal	1
*	93-7116	Driveshaft Assembly (Incl. Ref. #1-6)	1

*Not Illustrated



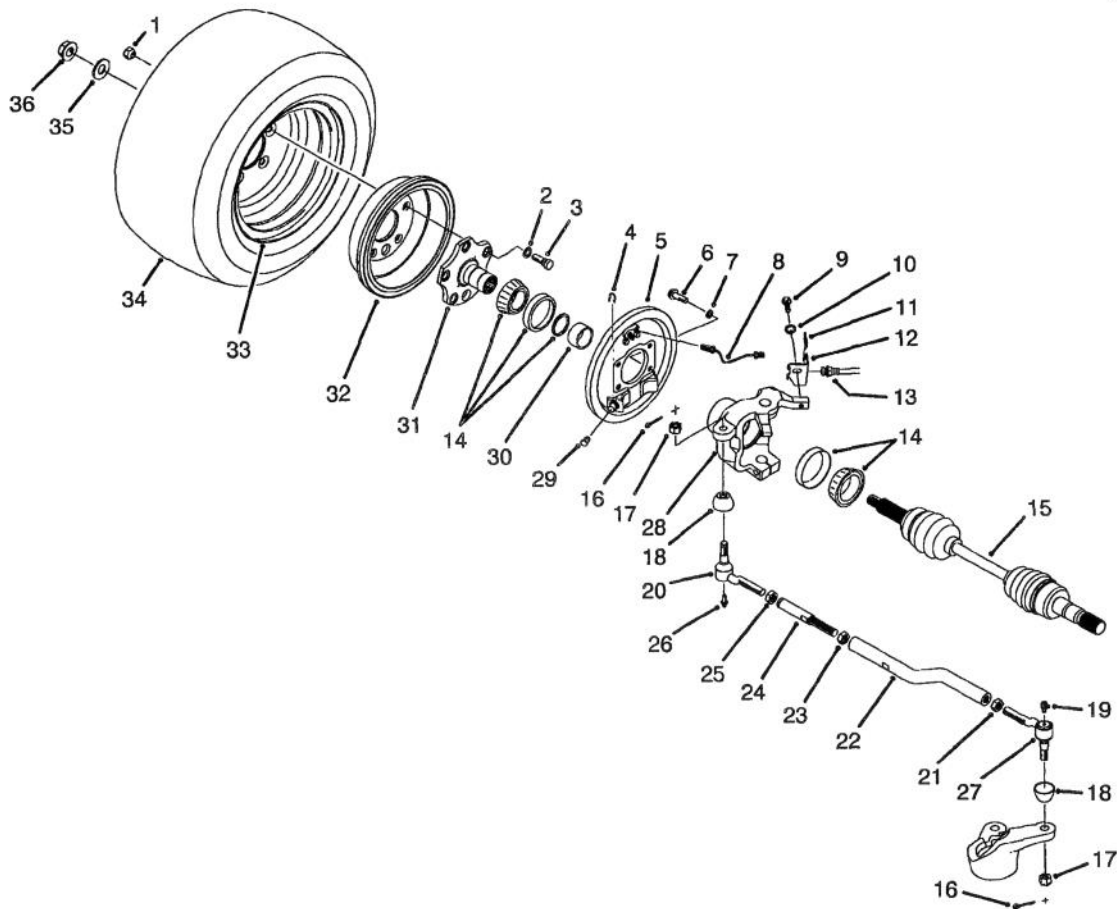
T-1993

BIDIRECTIONAL CLUTCH ASSEMBLY

Ref. No.	Part No.	Description	No. Used
1	87-9840	Shaft - Clutch	1
2	87-9220	Plug - Seal	1
3	87-9370	Ring - Retaining	1
4	251-8	Bearing - Ball	2
5	93-8920	Housing & Race	1
6	93-8922	Spring - Garter	1
7	93-8925	Roller	6
8	93-8924	Cam	1
9	93-8929	Washer - Thrust	1
10	93-8919	Bearing - Thrust	1

Ref. No.	Part No.	Description	No. Used
11	93-8923	Spring	1
12	93-8921	Cage	1
13	87-9360	Seal - Oil	1
14	93-7117	Plate - Adaptor	1
15	3274-96	Screw	4
16	3253-4	Washer - Lock	6
17	3274-97	Screw - Hex. Socket Hd.	6
*	93-7115	Bidirectional Clutch Assy. (Incl. Ref. #5-12)	1

*Not Illustrated

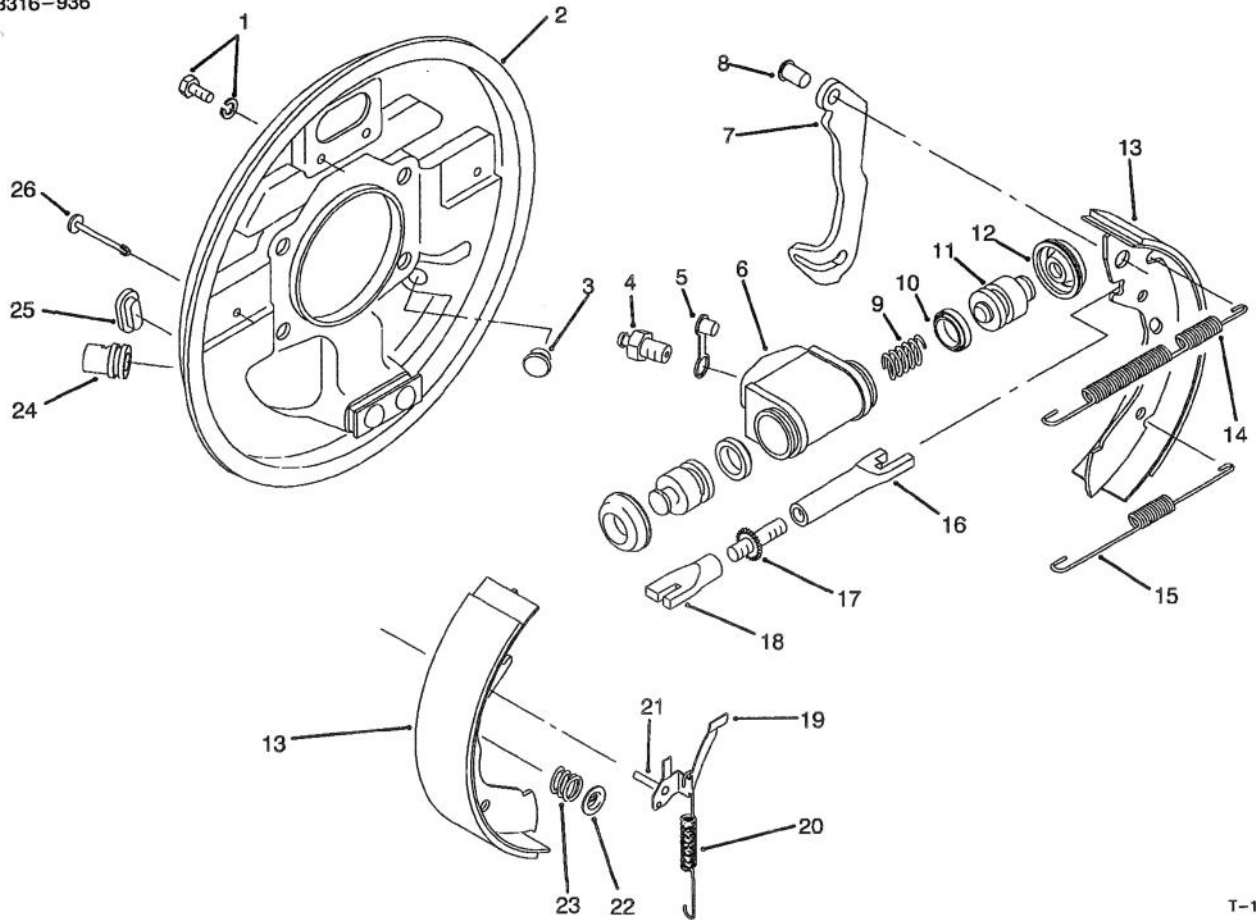


T-1992

FRONT WHEEL ASSEMBLY

Ref. No.	Part No.	Description	No. Used	Ref. No.	Part No.	Description	No. Used
1	23-7270	Nut - Lug	10	21	3218-21	Nut - Jam (Left Hand Threaded)	2
2	3253-6	Washer - Lock	10	22	93-7056	Rod - Tie RH	1
3	87-2080	Screw - Cap Hex. Hd.	10	*	93-7057	Rod - Tie LH	1
4	87-3310	Clip - Brake Cable	2	23	3220-7	Nut - Jam	1
5	87-9170	Brake Assembly RH	1	24	93-7055	Turnbuckle	1
*	87-9180	Brake Assembly LH	1	25	3220-11	Nut - Jam	2
6	323-6	Screw - Cap Hex. Hd.	8	26	302-5	Fitting - Grease	2
7	3253-21	Washer - Lock	8	27	87-1480	Tie Rod End Assembly (Incl. Ref. #16-19)	2
8	93-7080	Tube - Brake RH	1	28	87-9600	Housing - Axle RH	1
*	93-7079	Tube - Brake LH	1	*	87-9620	Housing - Axle LH	1
9	323-4	Screw - Cap Hex. Hd.	2	29	87-3450	Plug	2
10	3256-24	Washer - Flat	2	30	87-9210	Spacer	2
11	87-3580	Retainer	2	31	87-9190	Stub - Axle	2
12	93-7071	Bracket - Brake Hose RH	1	32	93-7128	Drum - Brake	2
*	93-7058	Bracket - Brake Hose LH	1	33	87-5720	Rim	2
13	93-7059	Hose - Brake Front	2	34	87-3300	Tire	2
14	87-9200	Bearing - Sealed	4	35	87-3060	Washer - Flat	2
15	93-7078	Constant Velocity Joint Assy.	2	36	32128-53	Nut - Flange Lock	2
16	3272-12	Pin - Cotter	2	*	87-3400	Wheel & Tire Assembly	2
17	32136-3	Nut - Hex. Slotted	2	*	87-5340	Seal Kit - Tie Rod End (Incl. Ref. #16-18 & 26)	4
18		Seal - Dust	2				
19	302-60	Fitting - Grease 90°	2				
20	87-1470	Tie Rod End Assembly (Left Hand Threaded) (Incl. Ref. #16-18 & 26)	2				

*Not Illustrated

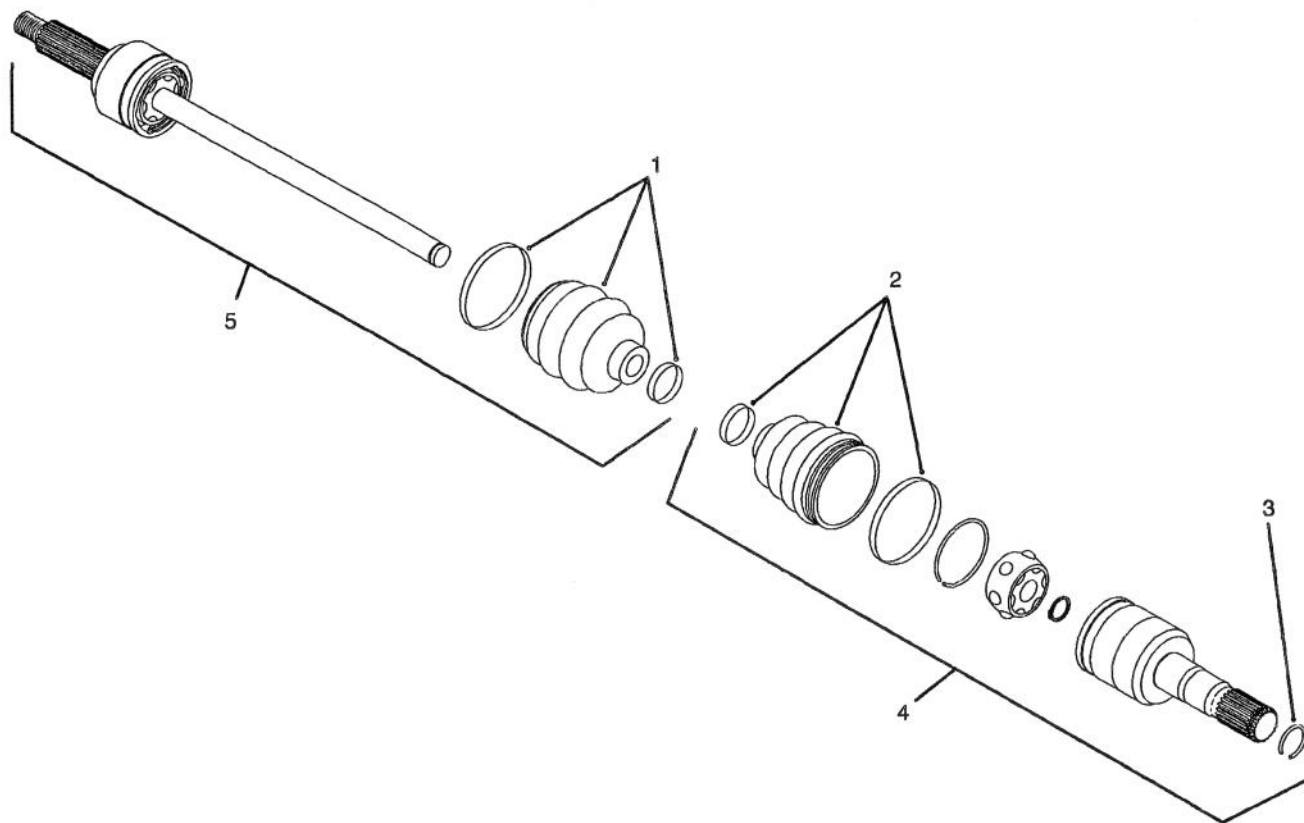


T-1596

FRONT BRAKE ASSEMBLY

Ref. No.	Part No.	Description	No. Used	Ref. No.	Part No.	Description	No. Used
1	92-4135	Set Bolt	2	19	92-4123	Assembly - Pawl LH (Incl. Ref. #21)	1
2	92-4136	Backplate Assembly LH (Incl. Ref. #24)	1	*	92-4124	Assembly - Pawl RH (Incl. Ref. #21)	1
*	92-4100	Backplate Assembly RH (Incl. Ref. #24)	1	20	92-4129	Spring - Adjuster, LH	1
3	92-4125	Plug	1	*	92-4130	Spring - Adjuster, RH	1
4	92-4113	Screw - Bleed	1	21		Pin - Pawl	1
5	92-4114	Cap - Bleed Screw	1	22	92-4131	Washer - Hold Down	2
6		Body	1	23	92-4132	Spring - Hold Down	2
7		Lever - Operating LH/RH	1	24		Guide - Pipe	1
8		Pin	1	25	92-4134	Plug - Inspection	1
9		Spring	1	26	92-4133	Pin - Hold Down	2
10		Seal - 'L' Type	2	*	92-4121	Assembly - Adjuster LH (Incl. Ref. #16-18)	1
11		Piston	2	*	92-4122	Assembly - Adjuster RH (Incl. Ref. #16-18)	1
12		Cover - Dust	2	*	92-4117	Assy. - Wheel Cylinder LH (Incl. Ref. #4-6 & 9-12)	1
13	92-4120	Shoe & Lining Set (Incl. Ref. #7 & 8)	1	*	92-4118	Assy. - Wheel Cylinder RH (Incl. Ref. #4-6 & 9-12)	1
14	92-4126	Spring - Shoe, Upper LH	1	*	92-4119	Kit - Seal (Incl. Ref. #10 & 12)	1
*	92-4127	Spring - Shoe, Upper RH	1	*	87-9170	Front Brake Assembly - RH (Complete)	1
15	92-4128	Spring - Shoe, Lower	1	*	87-9180	Front Brake Assembly - LH (Complete)	1
16		Pushrod - Female LH	1				
*		Pushrod - Female RH	1				
17		Bolt - Adjuster	1				
18		Sleeve - Adjuster	1				

*Not Illustrated

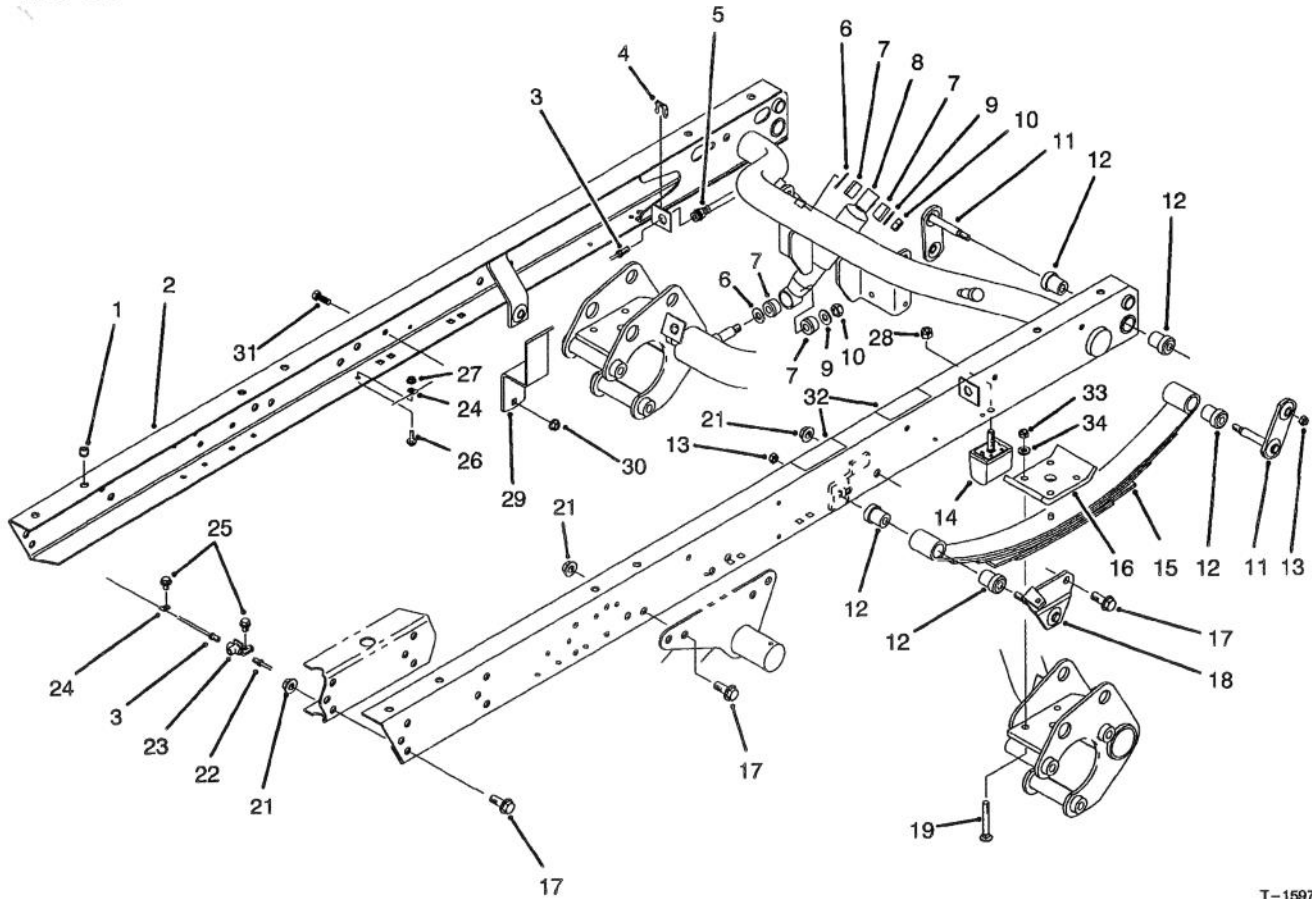


T-2111

CONSTANT VELOCITY (CV) JOINT ASSEMBLY NO. 93-7078

Ref. No.	Part No.	Description	No. Used
1	93-8982	Boot Kit - Outboard	1
2	93-8983	Boot Kit - Inboard	1
3	93-8985	Clip - Circular	1

Ref. No.	Part No.	Description	No. Used
4	93-8984	Joint Assembly - Inboard	1
5	93-8981	Joint & Shaft - Outboard	1



T-1597

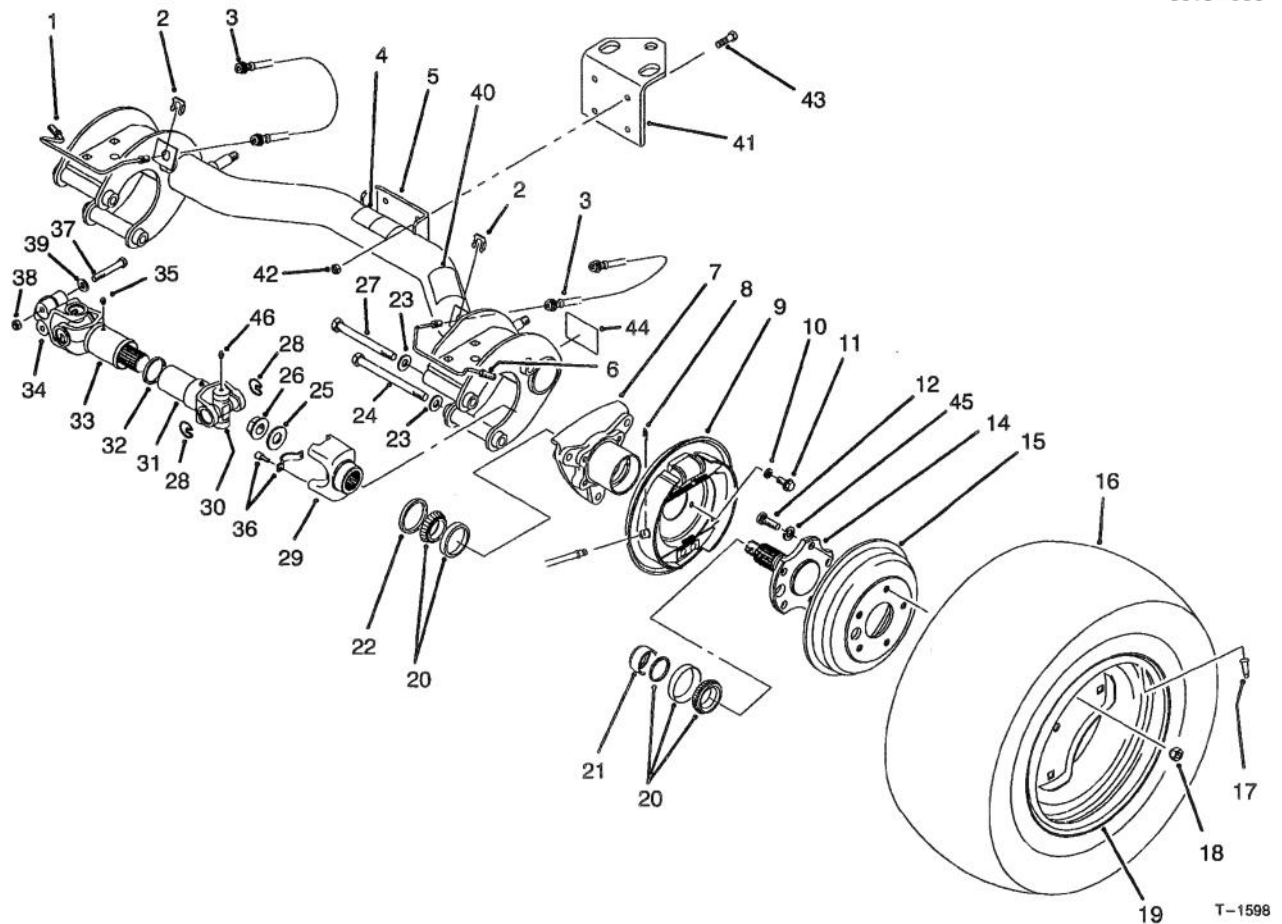
REAR FRAME ASSEMBLY

Ref. No.	Part No.	Description	No. Used
1	32148-10	Insert - Threaded	6
2	87-8440	Assembly - Rear Frame (Incl. Ref. #1 & 32)	1
3	87-3270	Tube - Brake RH	1
4	87-3580	Retainer	2
5	87-4100	Hose - Brake	2
6	3256-27	Washer - Flat	4
7	87-3920	Bushing - Rubber	8
8	87-3110	Shock Absorber	2
9	3256-6	Washer - Flat	4
10	3296-23	Nut - Lock	4
11	87-3980	Shackle - Spring	4
12	87-4760	Bushing	12
13	3296-39	Nut - Lock	6
14	87-3470	Bumper - Spring	2
15	87-1490	Spring - Leaf	2
16	87-7470	Plate - Clamp	2
17	3234-38	Screw - Hex. Flange Hd.	22

Ref. No.	Part No.	Description	No. Used
18	87-3960	Mount - Spring LH	1
*	87-3940	Mount - Spring RH	1
19	3232-17	Bolt - Carriage	8
21	32128-23	Nut - Flange Lock	22
22	87-3280	Tube - Brake LH	1
23	87-3560	Tee - Brake Tube	1
24	2412-149	Clamp - Tube	5
25	32104-82	Screw - Hex. Flange Hd.	2
26	321-4	Screw - Hex. Flange Hd.	4
27	32128-33	Nut - Flange Lock	4
28	48-9520	Nut - Lock	2
29	87-6690	Guard - Induction Chamber	1
30	3290-357	Nut - Flange Head	2
31	323-6	Screw - Cap Hex. Hd.	2
‡32	66-6840	Decal - Caution	2
33	3296-76	Nut - Lock	8
34	87-7480	Washer - Flat	8

*Not Illustrated

‡For different language versions of this part, see International Decal Cross Reference.



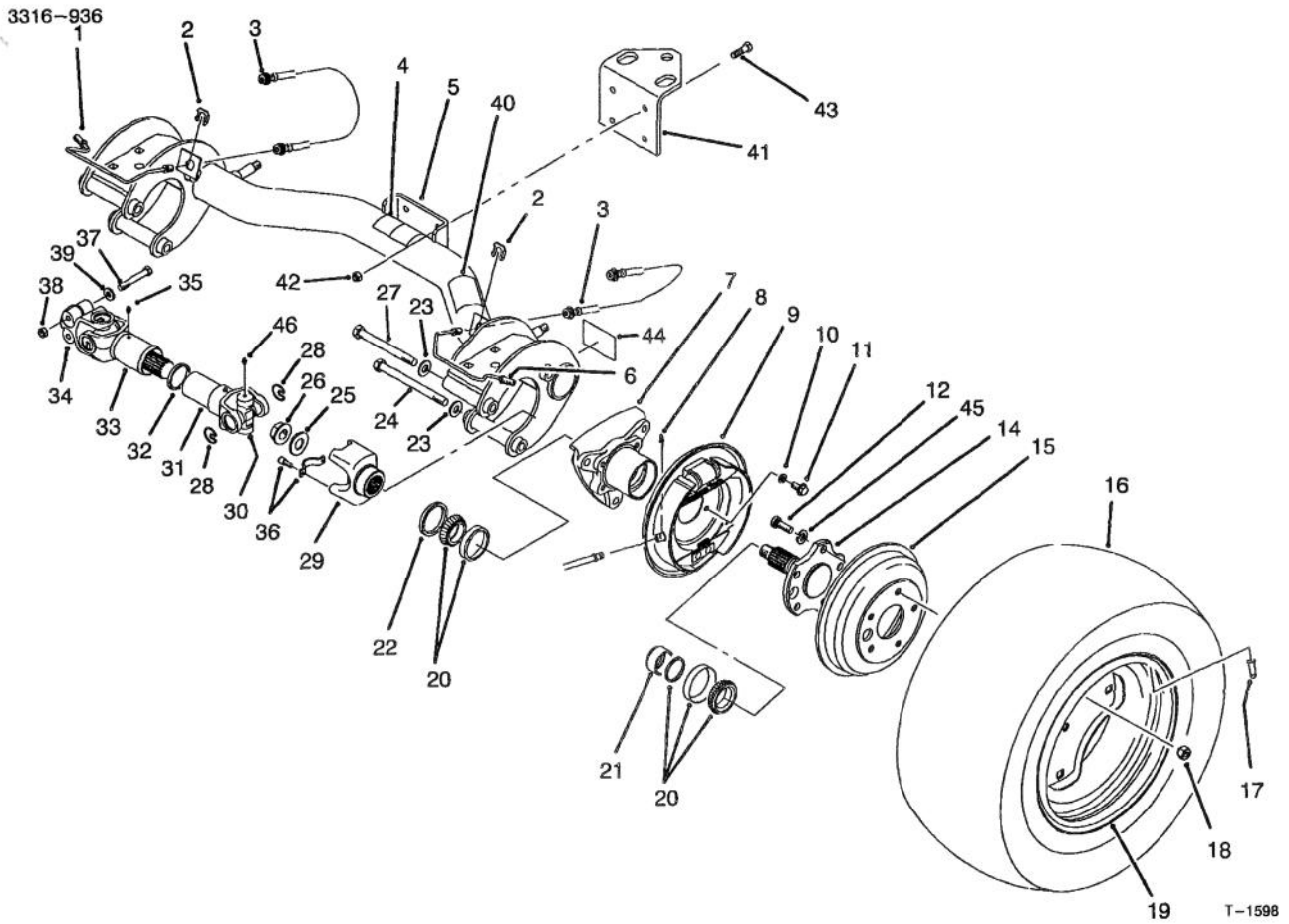
T-1598

REAR AXLE ASSEMBLY

Ref. No.	Part No.	Description	No. Used	Ref. No.	Part No.	Description	No. Used
1	87-4090	Tube - Brake RH	1	21	87-4060	Spacer - Bearing	2
2	87-3580	Retainer - Brake Hose	2	22	87-3590	Seal - Bearing	2
3	87-4100	Hose - Brake	2	23	87-7270	Washer - Flat	6
‡4	87-6060	Decal - ATF	1	24	325-20	Screw - Cap Hex. Hd.	5
5	87-7110	Assembly - Axle, Rear (Incl. Ref. #4, 40 & 44)	1	25	87-3060	Washer - Flat	2
6	87-4080	Tube - Brake LH	1	26	32128-53	Nut - Flange Lock	2
7	87-2240	Housing - Axle	2	27	325-19	Screw - Cap Hex. Hd.	1
8	87-3310	Clip - Brake Cable	2	28	92-4188	Ring - Snap	12
9	87-3840	Brake Assembly LH	1	29	92-4190	Yoke - End	2
*	87-3830	Brake Assembly RH	1	30	92-4187	Cross & Bearing Kit	4
10	3253-21	Washer - Lock	8	31	92-4182	Yoke & Hub	2
11	323-6	Screw - Cap Hex. Hd.	8	32	92-4180	Seal	2
12	87-2080	Stud - Drive	10	33	92-4179	Yoke, Shaft & Seal Tube	2
14	93-7090	Stub - Axle	2	34	92-4177	Yoke - Double Clamp	2
15	87-1840	Drum - Brake	2	35	302-5	Fitting - Grease	4
16	87-6740	Tire - Rear 24"	2	36	92-4189	Strap & Bolt Kit	4
*	87-3290	Tire - Rear 23" (Optional)	2	37	87-8700	Screw - Cap Hex. Hd.	4
17	232-27	Valve - Stem	2	38	32128-36	Nut - Lock	4
18	23-7270	Nut - Lug	10	39	80-6990	Washer	4
19	87-6750	Rim - Rear 24"	2	‡40	87-5990	Decal - PTO	1
*	87-3000	Rim - Rear 23" (Optional)	2	41	92-5951	Angle - Hitch	1
20	87-1970	Bearing Matched Set	2	42	3296-39	Nut - Lock	4
				43	323-7	Screw - Cap Hex. Hd.	4
				‡44	87-9080	Decal - Grease	2
				45	3253-6	Washer - Lock	10

*Not Illustrated

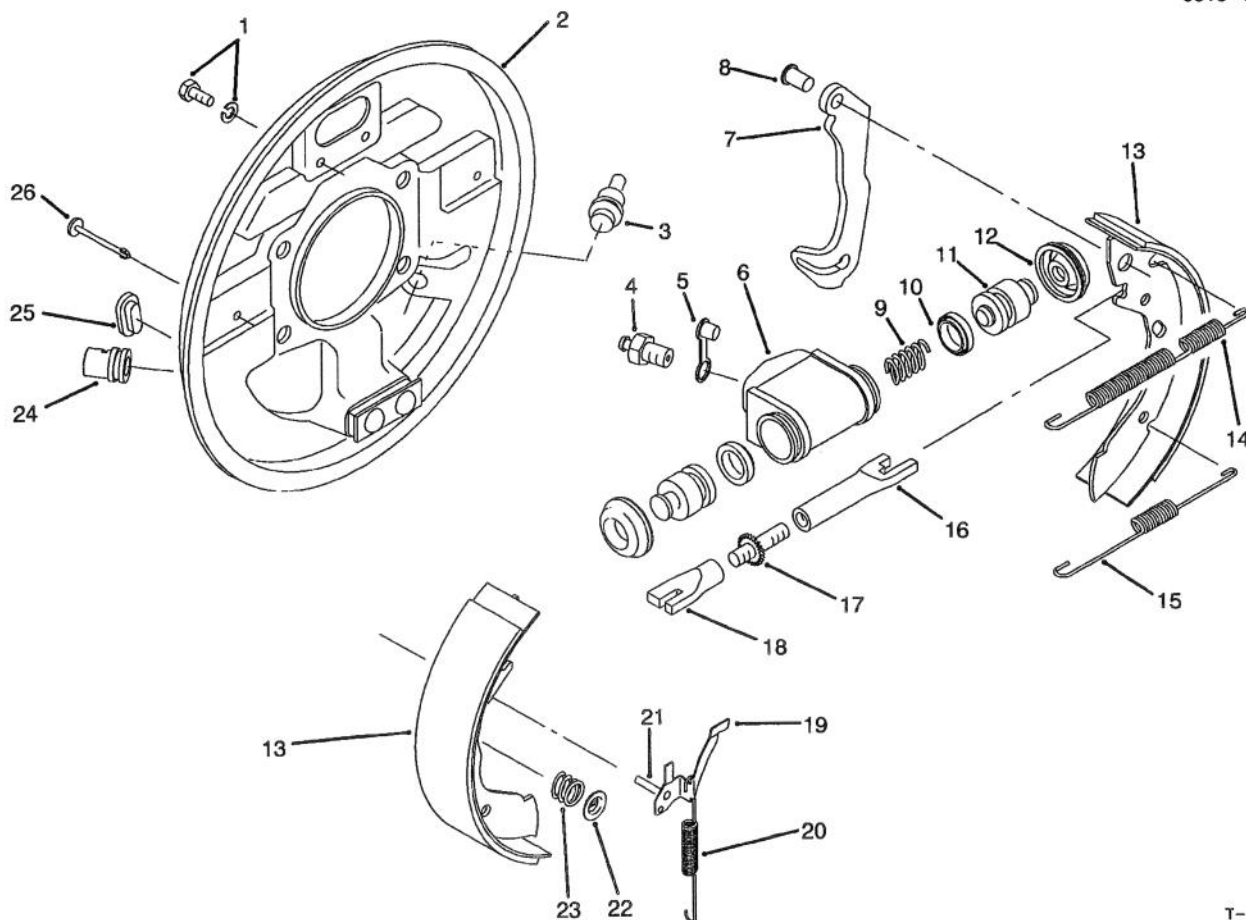
‡For different language versions of this part, see International Decal Cross Reference.



REAR AXLE ASSEMBLY (Continued)

Ref. No.	Part No.	Description	No. Used
46	302-58	Fitting - Grease	16
*	93-7124	Driveshaft Assembly (Incl. Ref. #28-36 & 46)	2

Ref. No.	Part No.	Description	No. Used
*	87-5370	Rear Tire & Wheel Assembly (24")	2
*	87-6370	Rear Tire & Wheel Assembly (Optional 23")	2

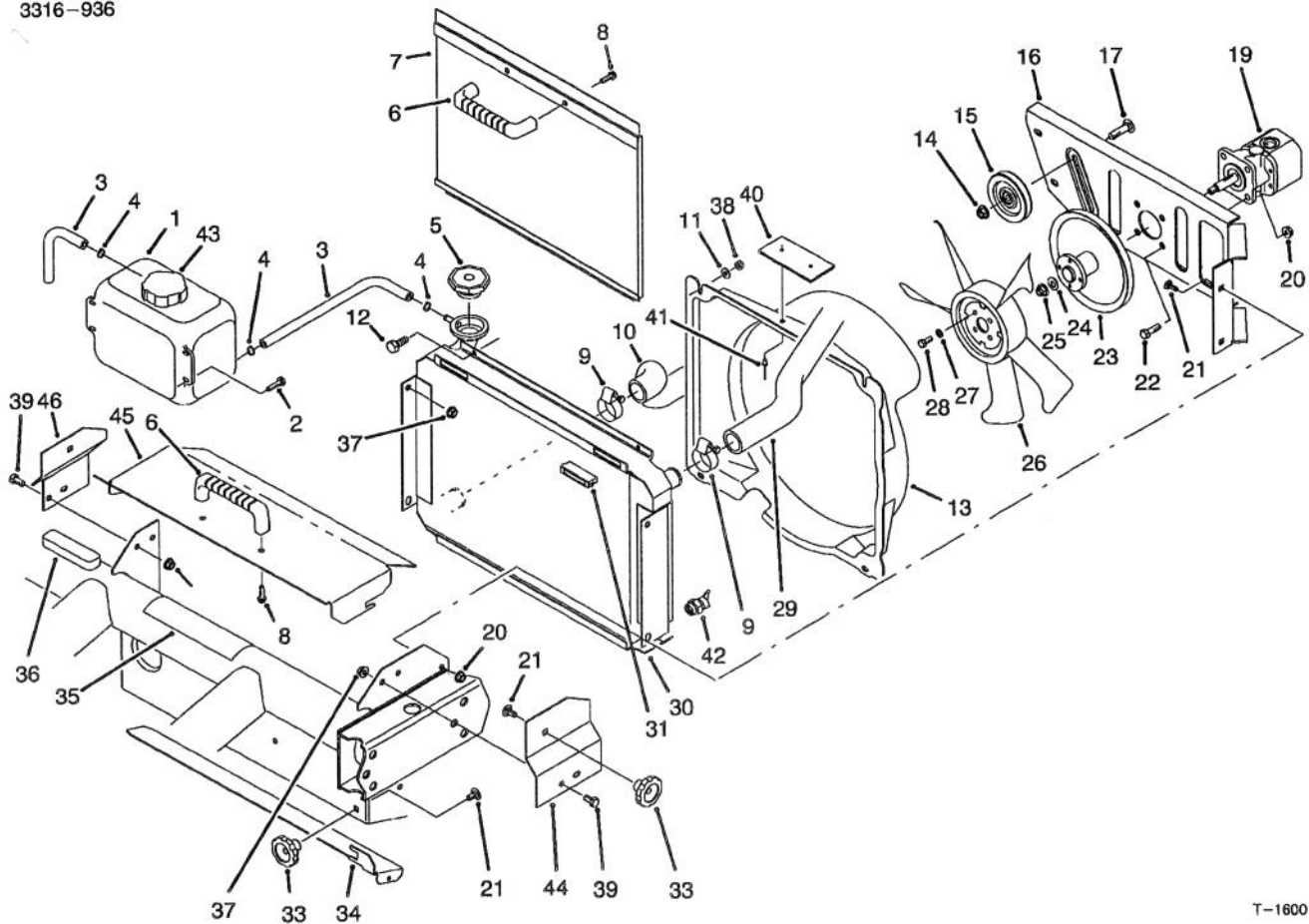


T-1599

REAR BRAKE ASSEMBLY

Ref. No.	Part No.	Description	No. Used	Ref. No.	Part No.	Description	No. Used
1	92-4135	Set Bolt	2	19	92-4123	Assembly - Pawl LH (Incl. Ref. #21)	1
2	92-4138	Backplate Assembly LH (Incl. Ref. #24)	1	*	92-4124	Assembly - Pawl RH (Incl. Ref. #21)	1
*	92-4139	Backplate Assembly RH (Incl. Ref. #24)	1	20	92-4150	Spring - Adjuster, LH	1
3	92-4146	Plug	1	*	92-4151	Spring - Adjuster, RH	1
4	92-4137	Screw - Bleed	1	21		Pin - Pawl	1
5	92-4114	Cap - Bleed Screw	1	22	92-4131	Washer - Hold Down	2
6		Body	1	23	92-4152	Spring - Hold Down	2
7		Lever - Operating LH/RH	1	24		Guide - Pipe	1
8		Pin	1	25	92-4134	Plug - Inspection	1
9		Spring	1	26	92-4133	Pin - Hold Down	2
10		Seal - 'L' Type	2	*	92-4144	Assembly - Adjuster LH (Incl. Ref. #16-18)	1
11		Piston	2	*	92-4145	Assembly - Adjuster RH (Incl. Ref. #16-18)	1
12		Cover - Dust	2	*	92-4140	Assy. - Wheel Cylinder LH (Incl. Ref. #4-6 & 9-12)	1
13	92-4143	Shoe & Lining Set (Incl. Ref. #7 & 8)	1	*	92-4141	Assy. - Wheel Cylinder RH (Incl. Ref. #4-6 & 9-12)	1
14	92-4147	Spring - Shoe, Upper LH	1	*	92-4142	Seal Kit (Incl. Ref. #10 & 12)	1
*	92-4148	Spring - Shoe, Upper RH	1	*	87-3830	Rear Brake Assembly - RH (Complete)	1
15	92-4149	Spring - Shoe, Lower	1	*	87-3840	Rear Brake Assembly - LH (Complete)	1
16		Pushrod - Female LH	1				
*		Pushrod - Female RH	1				
17		Bolt - Adjuster	1				
18		Sleeve - Adjuster	1				

*Not Illustrated

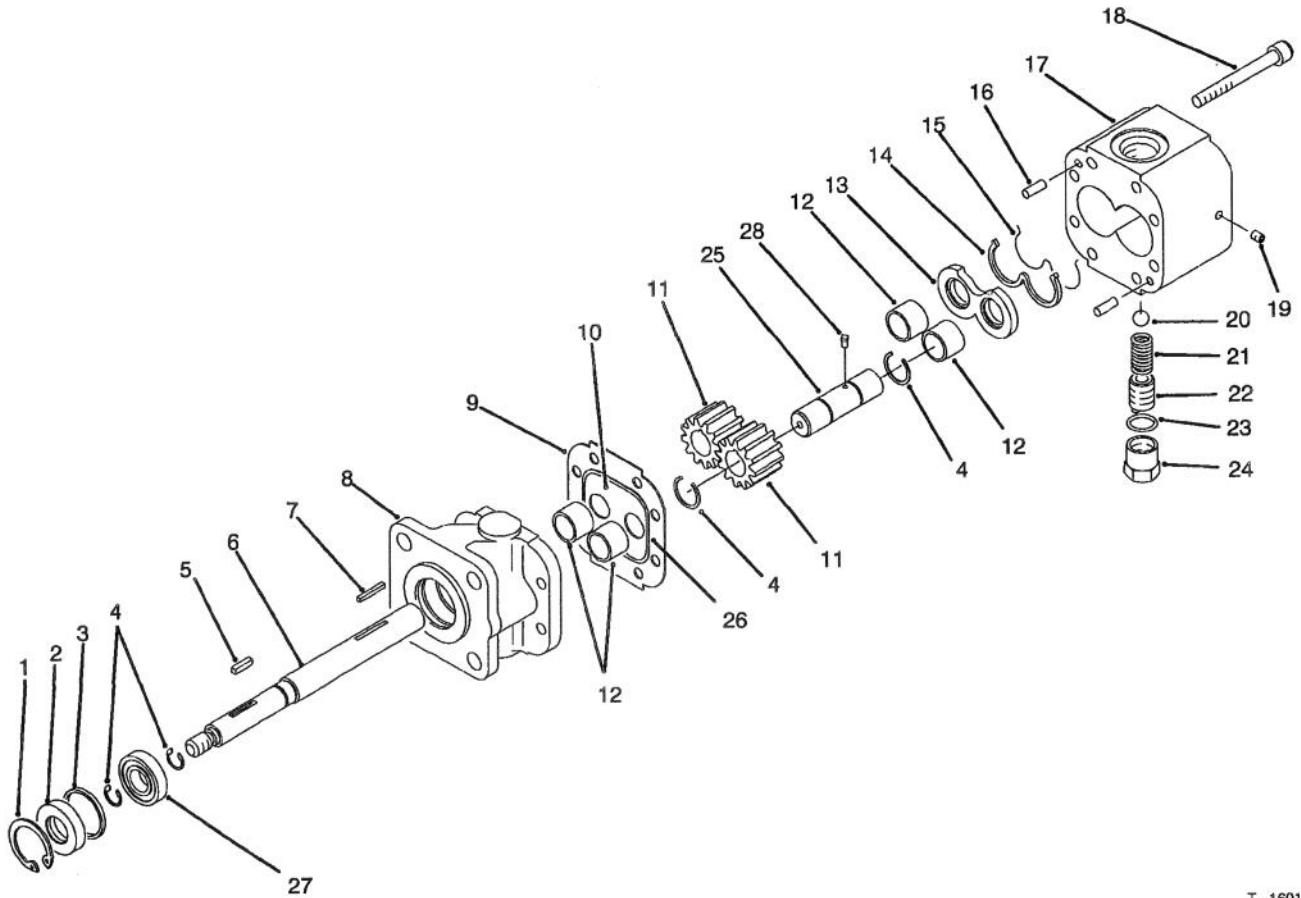


T-1600

RADIATOR & HYDRAULIC PUMP ASSEMBLY

Ref. No.	Part No.	Description	No. Used	Ref. No.	Part No.	Description	No. Used
1	87-3710	Overflow Reservoir Assy. (Incl. Ref. #43)	1	24	3256-45	Washer - Flat	1
2	3250-20	Screw - Round Hd.	4	25	3296-5	Nut - Flange Lock	1
3	71-3381	Tube - Overflow	2	26	43-1911	Fan	1
4	92-2379	Clamp - Hose	3	27	3253-3	Washer - Lock	4
5	66-3240	Cap - Radiator	1	28	321-3	Screw - Cap Hex. Hd.	4
6	65-5100	Handle	2	29	87-3430	Hose - Radiator Upper	1
7	93-7103	Screen - Radiator	1	30	93-7050	Radiator Assembly (Incl. Ref. #42)	1
8	46-8091	Screw - Hex. Flange Hd.	4	31	58-4250	Magnet	2
9	2412-34	Clamp - Hose	2	33	19-4050	Knob	3
10	87-5050	Hose - Radiator Lower	1	34	87-9300	Door - Clean Out	1
11	3256-22	Washer - Flat	4	‡35	87-9420	Decal - Caution	1
12	321-4	Screw - Cap Hex. Hd.	4	36	87-9810	Foam - Overflow Tank	1
13	92-4198	Fan Shroud Assembly (Incl. Ref. #40 & 41)	1	37	32128-20	Nut - Lock	6
14	3290-357	Nut - Flange Lock	1	38	3296-42	Nut - Lock	4
15	63-8140	Pulley	1	39	322-2	Screw - Cap Hex. Hd.	6
16	93-7088	Support - Fan	1	‡40	76-8750	Plate - Warning	1
17	3231-28	Bolt - Carriage	1	41	3290-271	Rivet - Pop	2
19	87-5700	Hydraulic Pump Assembly	1	42	92-4111	Petcock - Radiator	1
20	3296-29	Nut - Flange Lock	8	43	87-7050	Cap - Reservoir	1
21	3230-23	Bolt - Carriage	7	44	93-8938	Bracket - Cover LH	1
22	322-5	Screw - Cap Hex. Hd.	4	45	93-8940	Cover - Radiator	1
23	87-3390	Pulley	1	46	93-8939	Bracket - Cover RH	1

‡For different language versions of this part, see International Decal Cross Reference.

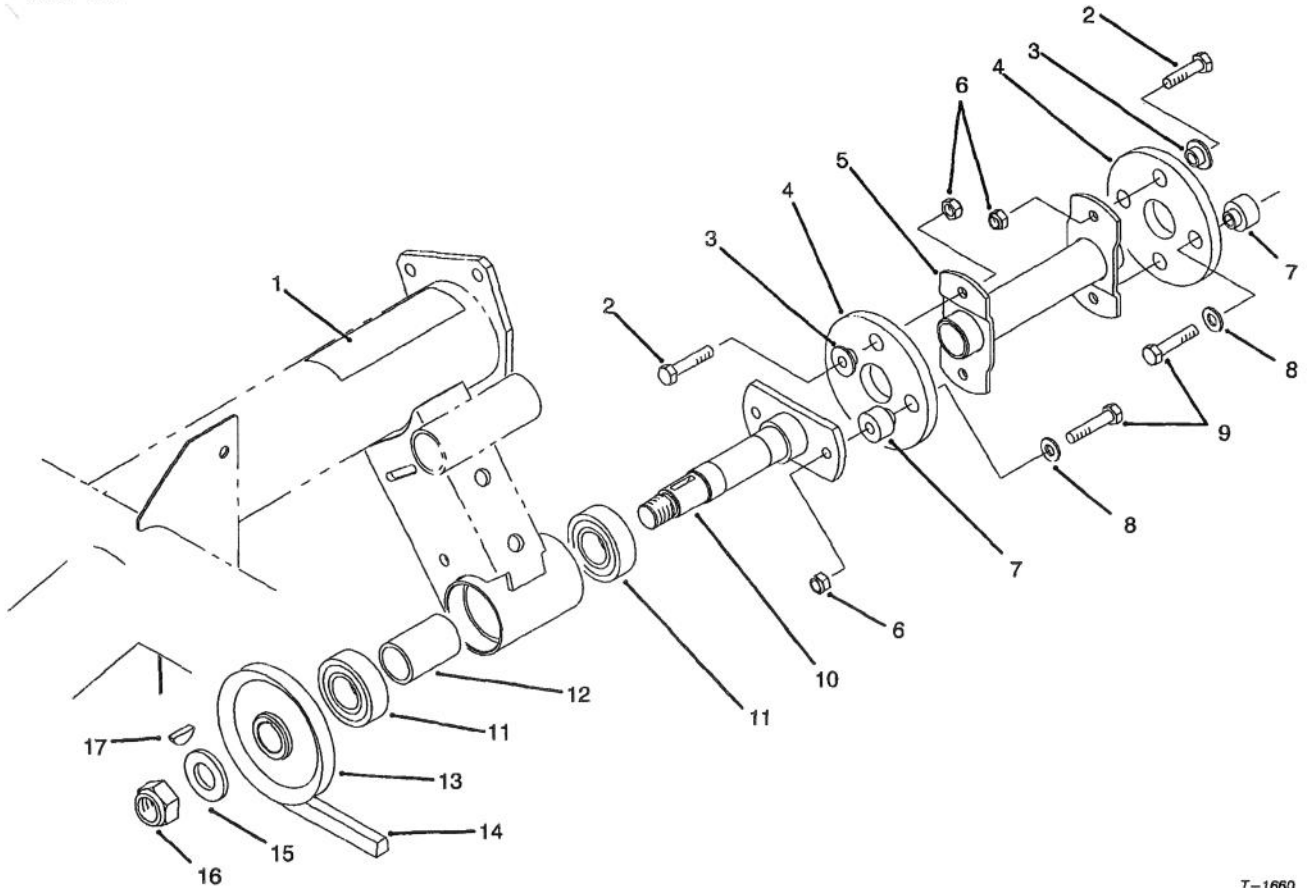


T-1601

HYDRAULIC PUMP ASSEMBLY NO. 87-5700

Ref. No.	Part No.	Description	No. Used
1	32151-41	Ring - Retaining	1
2	92-2195	Seal - Oil	1
3	92-2186	Spacer	1
4	92-2178	Ring - Crescent	4
5	92-2179	Key - Square	1
6	92-2189	Shaft - Drive	1
7	92-2177	Pin - Shear	1
8	92-2188	Stator	1
9	92-2182	Plate - Seal	1
10	92-2183	Plate - Wear	1
11	92-2175	Gear	2
12	92-2192	Bearing	4
13	92-2181	Plate - Pressure	1
14	92-2197	Seal - Back Up	1

Ref. No.	Part No.	Description	No. Used
15	92-2196	Seal - Pressure Plate	1
16	92-2176	Pin - Dowel	2
17	92-2187	Housing - Gear, End	1
18	92-2173	Screw - Cap Socket Head	8
19	92-2185	Plug	1
20	92-2193	Ball	1
21	92-2194	Spring	1
22	92-2174	Screw - Adjusting	1
23	92-2180	Gasket - Copper	1
24	92-2184	Cap - Relief Valve	1
25	92-2190	Shaft - Idler	1
26	92-2198	Seal	1
27	92-2191	Bearing	1
28	92-2199	Key - Ball	1



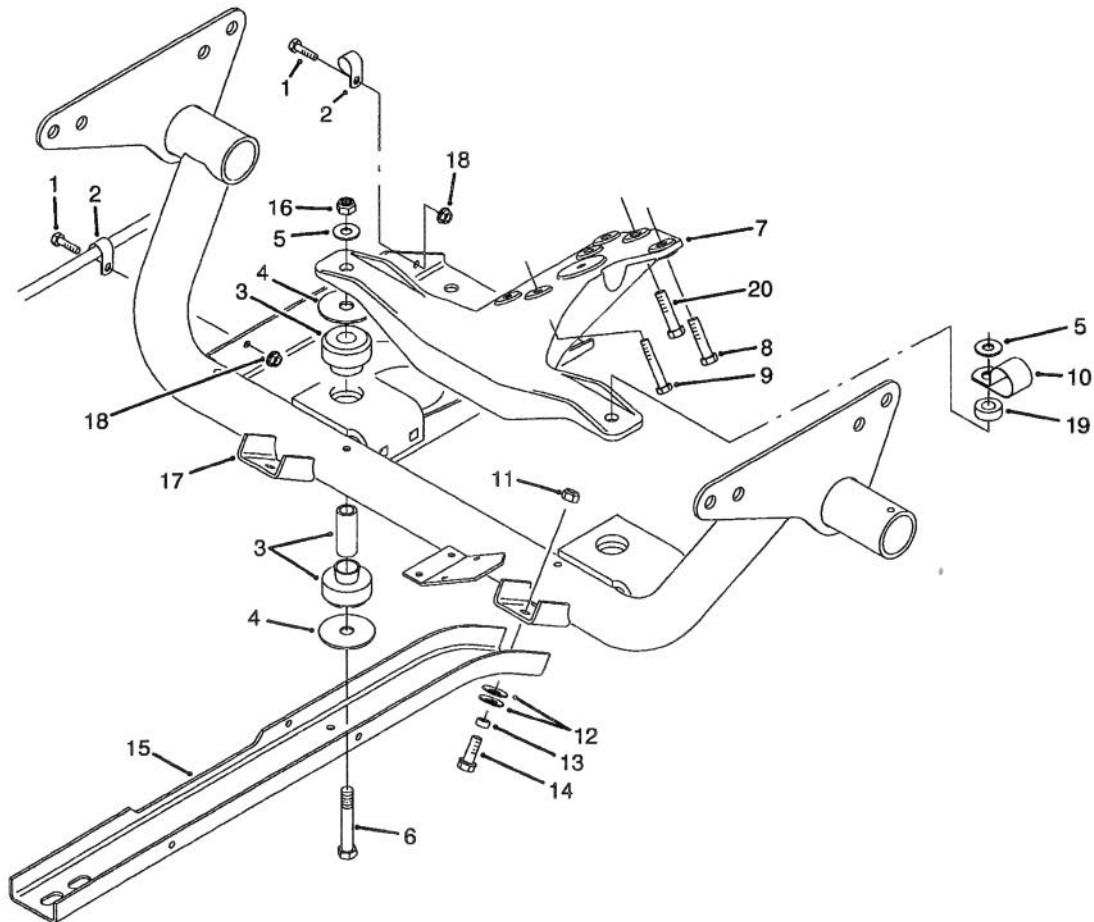
T-1660

HYDRAULIC PUMP DRIVE ASSEMBLY

Ref. No.	Part No.	Description	No. Used
‡1	80-8040	Decal - Caution	1
2	322-5	Screw - Cap Hex. Hd.	4
3	27-6600	Spacer - Thin	4
4	44-2230	Disc - Rubber	2
5	87-4440	Driveshaft	1
6	3296-29	Nut - Lock	6
7	27-6590	Spacer - Thick	4
8	3256-3	Washer - Flat	4
9	322-7	Screw - Cap Hex. Hd.	4

Ref. No.	Part No.	Description	No. Used
10	87-2720	Driveshaft	1
11	251-82	Bearing - Ball	2
12	87-2750	Spacer - Bearing	1
13	87-3370	Pulley	1
14	87-3210	Belt - V	1
15	3256-28	Washer - Flat	1
16	3296-15	Nut - Lock	1
17	3257-7	Key - Woodruff	1

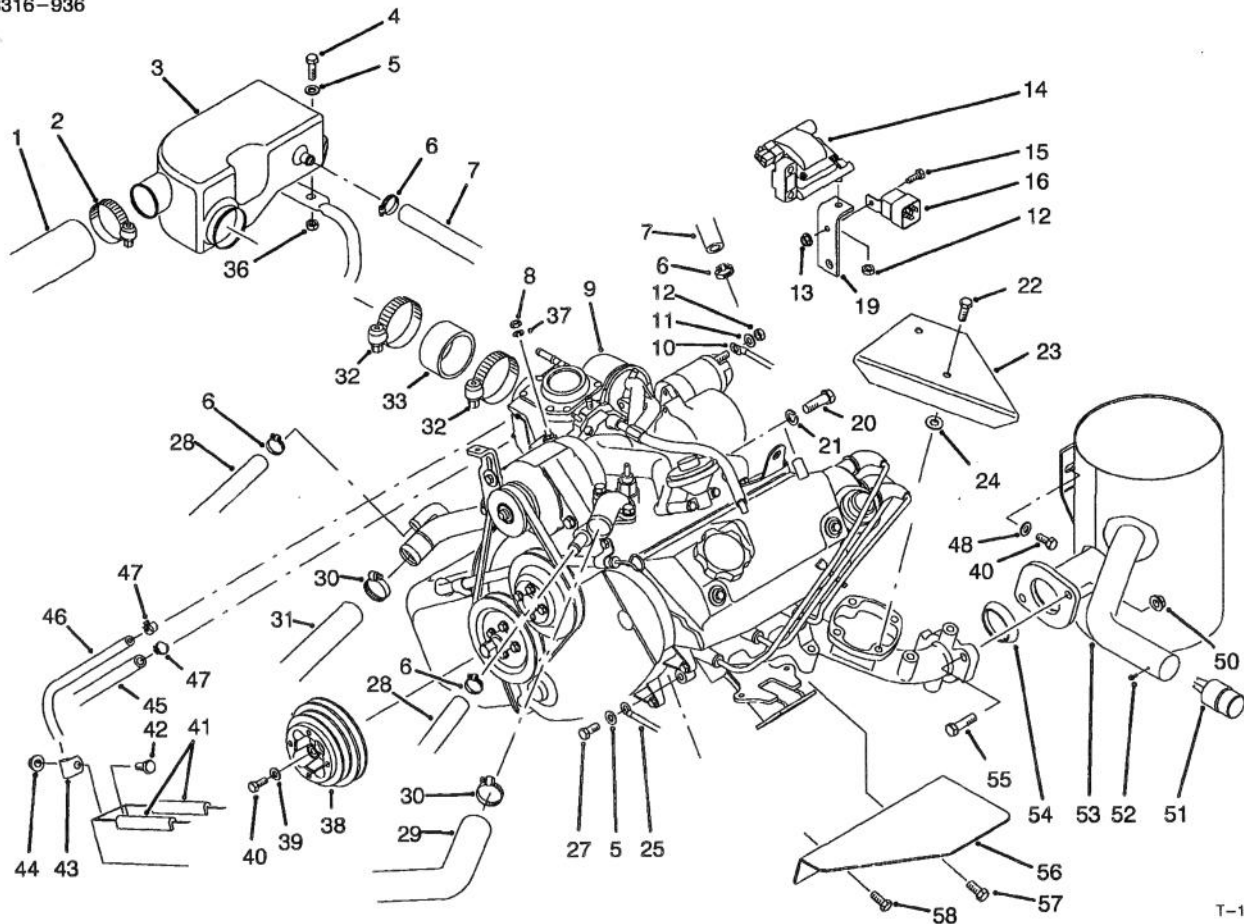
‡For different language versions of this part, see International Decal Cross Reference.



T-1603

ENGINE FRAME ASSEMBLY

Ref. No.	Part No.	Description	No. Used	Ref. No.	Part No.	Description	No. Used
1	321-4	Screw - Cap Hex. Hd.	2	11	3296-39	Nut - Lock	2
2	2412-89	Clamp - R	2	12	3290-413	Washer - Belleville	12
3	87-4970	Engine Mount Assembly	2	13	76-9100	Spacer	2
4	87-5100	Washer - Flat	4	14	3234-11	Screw - Cap Hex. Hd.	6
5	3256-25	Washer - Flat	2	15	87-4730	Guard - Belly	2
6	324-19	Screw - Cap Hex. Hd.	2	16	3296-48	Nut - Lock	2
7	87-9830	Mount - Engine	1	17	93-7095	Frame - Engine	1
8	43-0090	Screw - Cap Hex. Hd.	1	18	32128-33	Nut - Flange	2
9	48-7560	Screw - Cap Hex. Hd.	3	19	59-2290	Spacer	1
10	2412-82	Clamp - R	1	20	87-3700	Screw - Cap Hex. Hd.	3

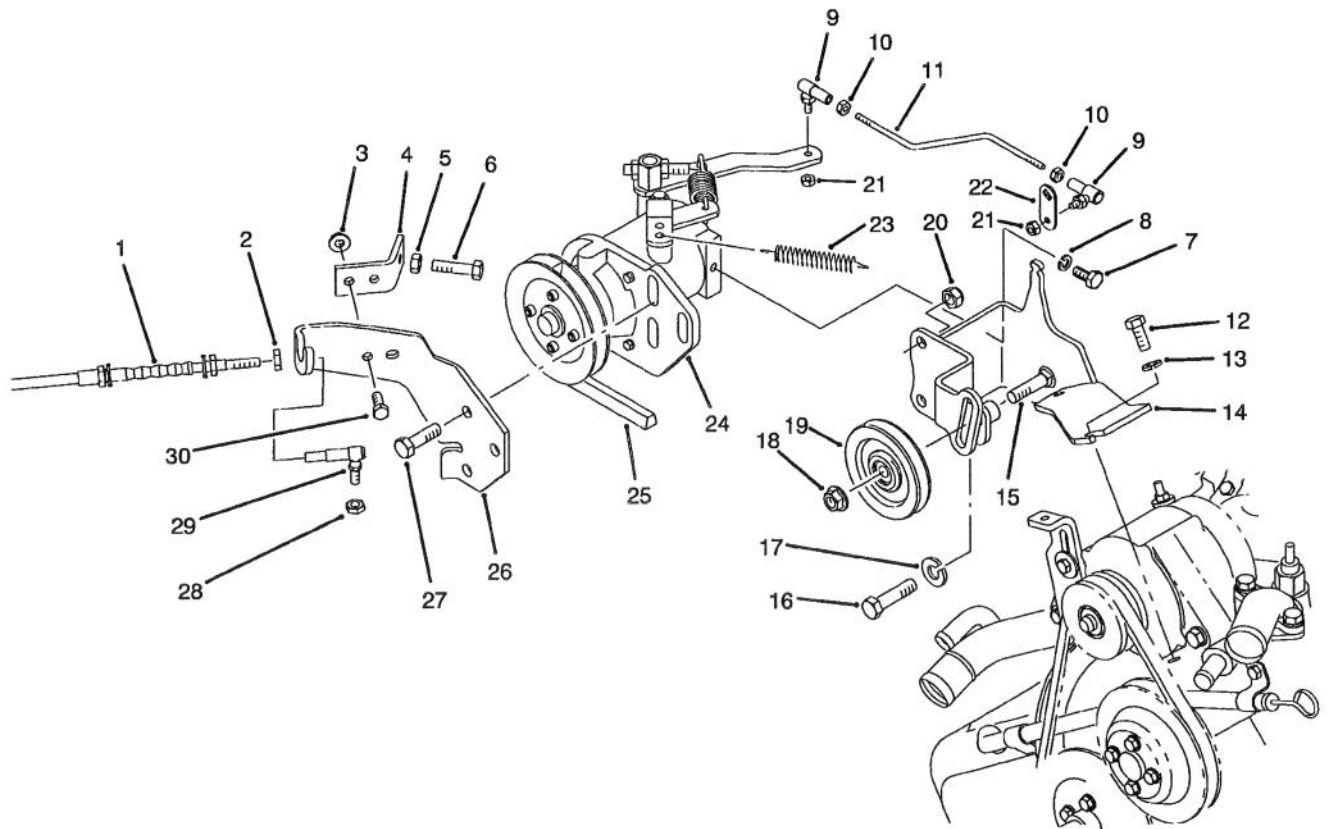


T-1604

ENGINE INSTALLATION ASSEMBLY

Ref. No.	Part No.	Description	No. Used
1	87-3420	Hose - Air Cleaner	1
2	2412-92	Clamp - Hose	1
3	87-1680	Chamber - Air	1
4	322-6	Screw - Cap Hex. Hd.	2
5	3256-23	Washer - Flat	2
6	2412-119	Clamp - Hose	3
7	87-3740	Hose - Breather	1
8	48-7890	Nut - Hex.	1
9	87-1960	Engine Assembly (Incl. Ref. #11, 12 & 14)	1
10	87-3070	Cable - Positive	1
11	3254-2	Washer - Lock	1
12	42-9580	Nut - Hex.	3
13	32128-33	Nut - Flange	1
14	92-2027	Coil - Ignition	1
15	321-4	Screw - Cap Hex. Hd.	1
16	70-1480	Relay	1
19	87-2760	Bracket - Ignition Coil	1
20	48-9480	Screw - Cap Hex. Hd.	2
21	3253-6	Washer - Lock	2
22	57-6380	Screw - Cap Hex. Hd.	2
23	87-3620	Shield - Heat	1
24	52-2480	Spacer	2
25	87-3080	Wire - Ground	1
27	66-3160	Screw - Cap Hex. Hd.	1
28	87-3730	Hose - Coolant	2
29	87-3430	Hose - Radiator Upper	1

Ref. No.	Part No.	Description	No. Used
30	2412-34	Clamp - Hose	2
31	87-5050	Hose - Radiator Lower	1
32	2412-130	Clamp - Hose	2
33	87-3500	Hose - Air Cleaner	1
36	3296-29	Nut - Lock	2
37	3253-3	Washer - Lock	1
38	87-5070	Pulley - Crankshaft	1
39	65-5390	Washer - Flat	4
40	66-3160	Screw - Cap Hex. Hd.	5
41	43-4300	Trim	2
42	322-2	Screw - Cap Hex. Hd.	1
43	2412-10	Clamp - R	1
44	32128-20	Nut - Flange Lock	1
45	47-2964	Hose - Fuel	1
46	75-4701	Hose - Fuel	1
47	2412-108	Clamp - Hose	2
48	87-8640	Washer - Flat	1
50	3290-357	Nut - Flange Lock	2
51	75-6880	Spark Arrestor (Optional) (Incl. Ref. #52)	1
52	32144-42	Screw - Spark Arrestor	1
53	87-1510	Muffler & Tailpipe	1
54	92-2044	Gasket - Exhaust	1
55	323-29	Screw - Cap Hex. Hd.	2
56	93-7149	Shield - Heat	1
57	63-7790	Screw - Cap Hex. Hd.	1
58	66-3160	Screw - Cap Hex. Hd.	1

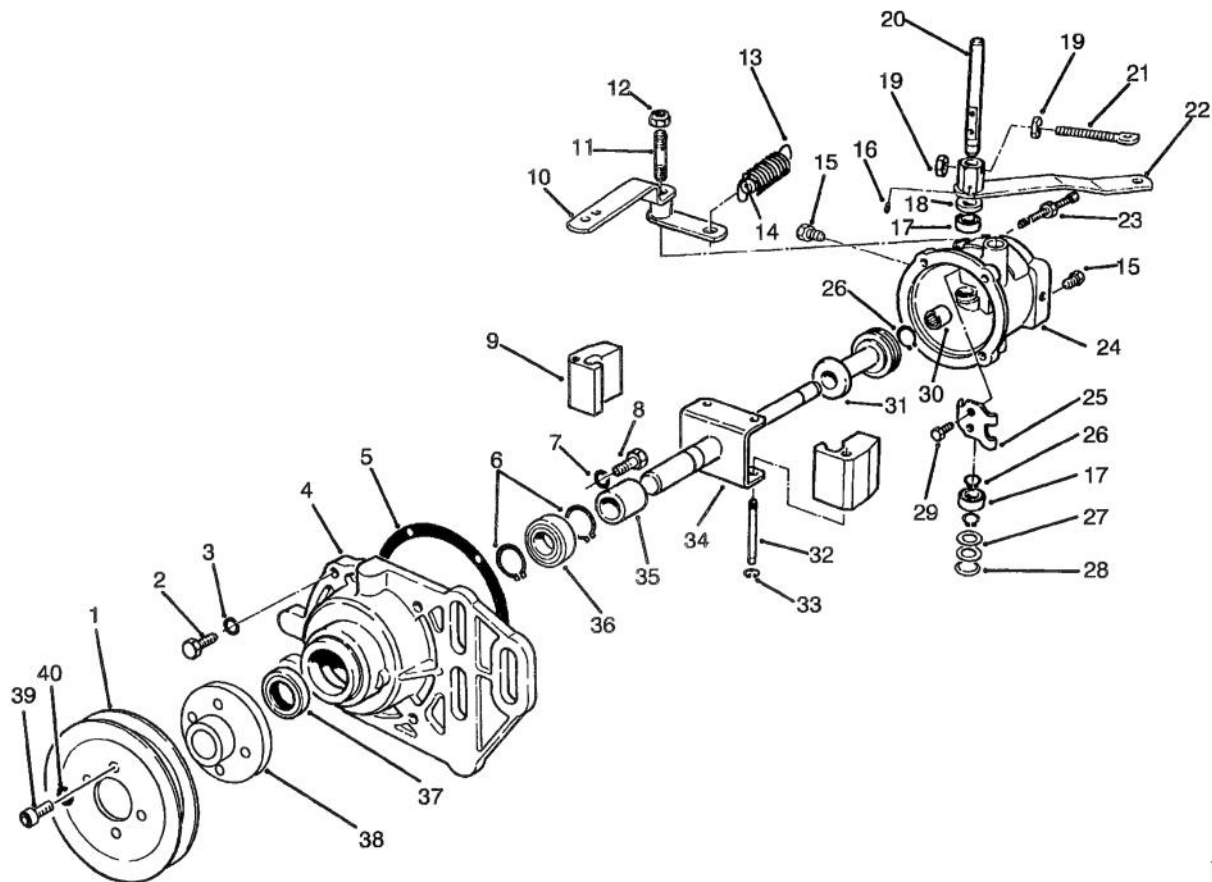


T-1805

GOVERNOR ASSEMBLY

Ref. No.	Part No.	Description	No. Used
1	93-7098	Accelerator Cable Assembly (Incl. Ref. #2)	1
2	3220-1	Nut - Jam	1
3	32128-33	Nut - Flange	2
4	87-4770	Bracket - High Idle Stop	1
5	3220-2	Nut - Jam	1
6	3210-9	Screw - Cap Hex. Hd.	1
7	321-3	Screw - Cap Hex. Hd.	1
8	3253-3	Washer - Lock	1
9	21-5640	Joint - Ball	2
10	3219-14	Nut - Jam	2
11	87-4210	Rod - Linkage	1
12	66-3160	Screw - Cap Hex. Hd.	2
13	3253-4	Washer - Lock	2
14	87-4750	Bracket - Governor	1
15	3231-26	Bolt - Carriage	1

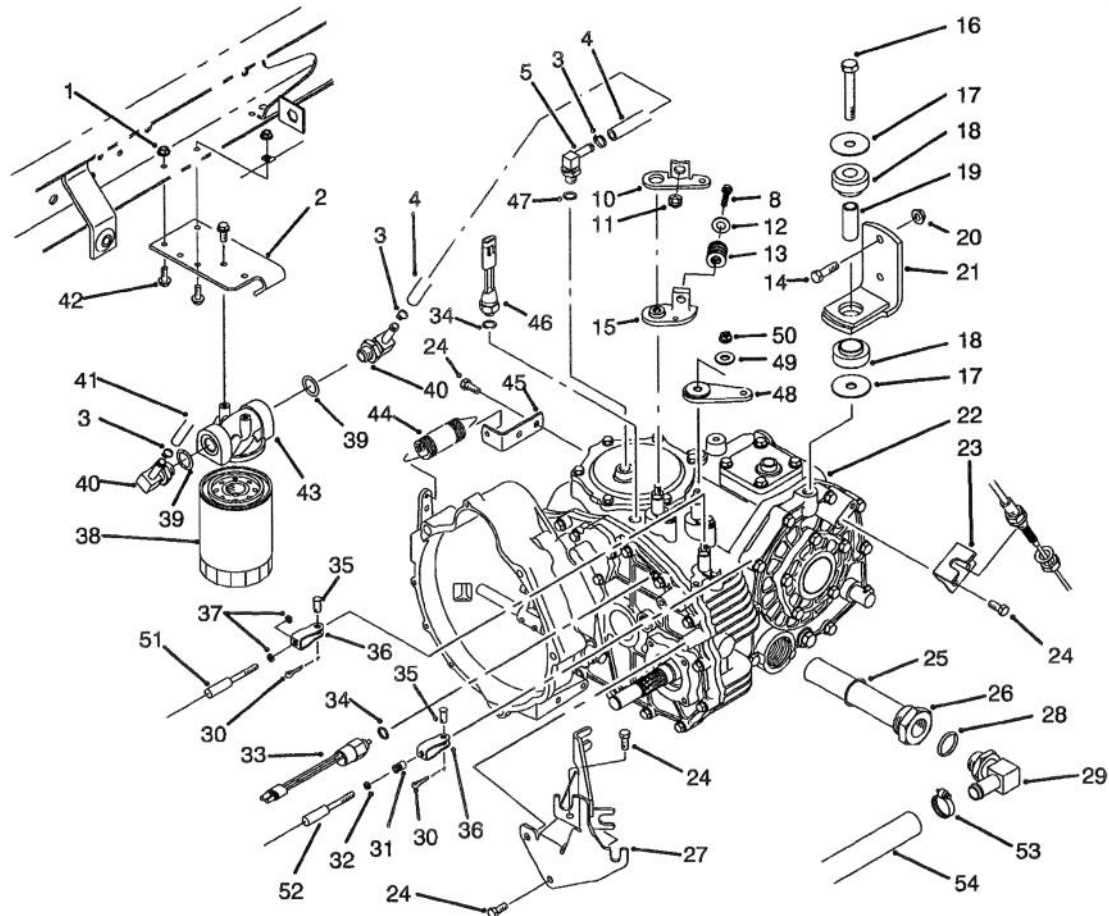
Ref. No.	Part No.	Description	No. Used
16	87-3700	Screw - Cap Hex. Hd.	1
17	3253-22	Washer - Lock	1
18	3290-357	Nut - Flange	1
19	63-8140	Pulley	1
20	3296-39	Nut - Lock	3
21	3296-27	Nut - Lock	2
22	87-2400	Lever - Throttle	1
23	87-4020	Spring - Extension	1
24	87-8720	Governor Assembly	1
25	87-3200	Belt - V	1
26	87-3900	Bracket - Cable	1
27	323-7	Screw - Cap Hex. Hd.	3
28	3296-3	Nut - Lock	1
29	18-1720	Joint - Ball	1
30	321-4	Screw - Cap Hex. Hd.	2



T-1606

GOVERNOR

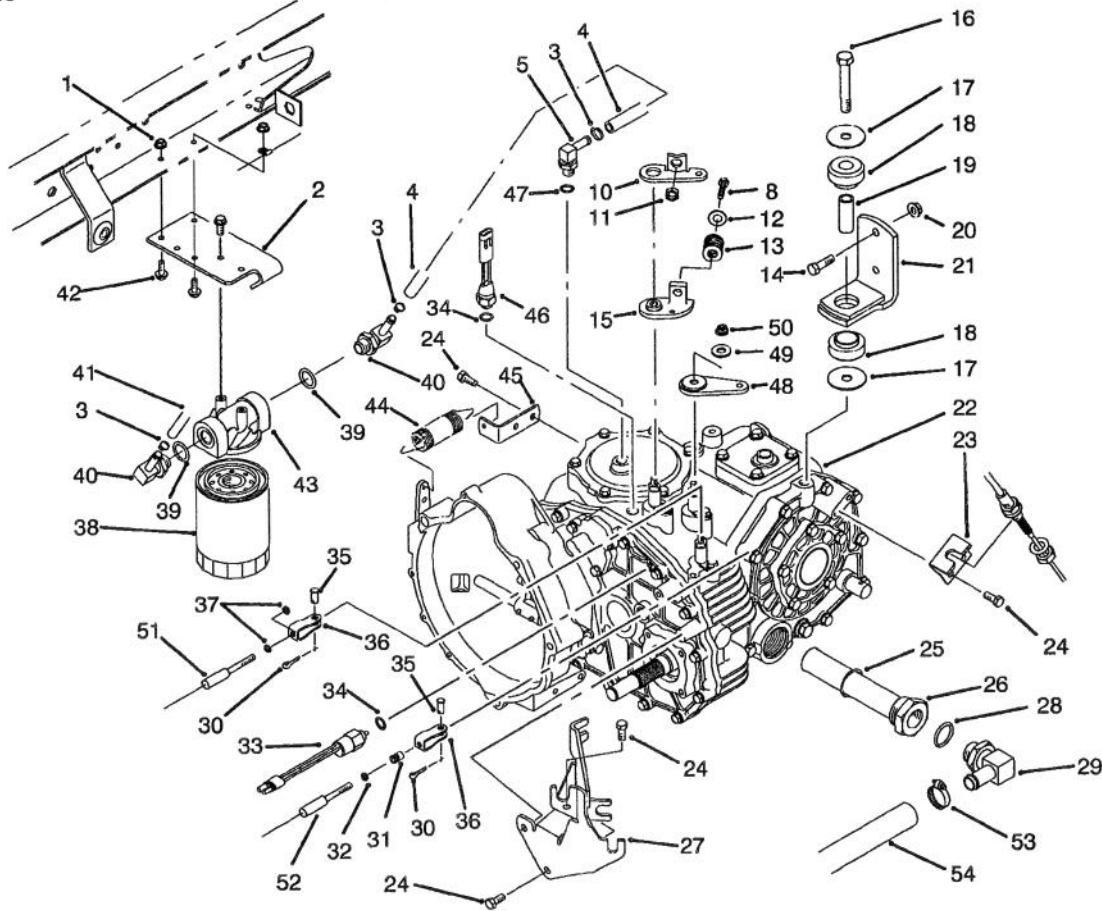
Ref. No.	Part No.	Description	No. Used	Ref. No.	Part No.	Description	No. Used
1	87-8830	Pulley	1	22	87-6530	Assembly - Throttle Lever	1
2	18-5620	Screw	4	23	72-5910	Assembly - Bumper Screw	1
3	18-5630	Washer - Lock	4	24	87-6520	Body	1
4	87-6560	Cover	1	25	18-5520	Lever - Rocker	1
5	18-5790	Gasket	1	26	18-5540	Retainer - Sleeve Stop	3
6	18-5640	Ring - Retaining	2	27	18-5440	Spacer	2
7	18-5770	Washer - Lock	2	28	18-5430	Plug - Expansion	1
8	32113-14	Screw	2	29	18-5530	Screw & Lockwasher	2
9	70-2150	Flyweight	2	30	72-5940	Bearing - Needle	1
10	87-6590	Assy. Lever & Fitting	1	31	70-2100	Assembly - Thrust Sleeve & Bearing	1
11	87-6580	Stud - Lever Pivot	1	32	18-5660	Pin - Pivot, Flyweight	2
12	3296-5	Nut - Lock	1	33	18-5670	Retainer - Pivot Pin	2
13	87-6490	Spring	1	34	87-6510	Assembly - Shaft & Yoke	1
14	87-6550	Pin - Forced Idle	1	35	70-2120	Spacer	1
15	285-17	Plug - Pipe	2	36	70-2140	Bearing - Front	1
16	18-5750	Pin	1	37	18-5580	Seal - Oil, Front	1
17	18-5450	Bearing	2	38	87-8820	Hub - Pulley	1
18	71-4780	Seal - Oil, Rocker Shaft	1	39	3274-52	Screw - Hex. Socket Hd.	4
19	3219-2	Nut	2	40	3253-18	Washer - Lock	4
20	72-5890	Shaft - Rocker	1				
21	87-6540	Bolt - Eye	1				



T-1994

TRANSAXLE INSTALLATION ASSEMBLY

Ref. No.	Part No.	Description	No. Used	Ref. No.	Part No.	Description	No. Used
1	32128-33	Nut - Flange Lock	1	27	87-4820	Bracket - Cable	1
2	87-7040	Bracket - Oil Filter	1	28	237-81	Seal - O-Ring	1
3	2412-36	Clamp - Hose	3	29	253-987	Fitting - Hydraulic 90° (Incl. Ref. #28)	1
4	87-5730	Hose - Hydraulic	1	30	3272-6	Pin - Cotter	3
5	354-135	Fitting - Hydraulic 90° (Incl. Ref. #47)	1	31	32148-15	Nut - Clinch	1
8	323-10	Screw - Cap Hex. Hd.	1	32	3219-14	Nut - Hex.	1
10	87-8250	Plate - Shift Arm	1	33	87-6710	Switch - Supervisor	1
11	32128-21	Nut - Lock	1	34	237-30	Seal - O-Ring	2
12	3256-4	Washer - Flat	1	35	283-62	Pin - Clevis	3
13	87-6910	Spring - Compression	1	36	87-2310	Clevis - Cable	3
14	323-7	Screw - Cap Hex. Hd.	4	37	3220-1	Nut - Jam	4
15	87-7970	Arm - Shift	1	38	54-0110	Element - Oil Filter	1
16	3215-1	Screw - Cap Hex. Hd.	1	39	237-79	Seal - O-Ring	2
17	87-5100	Washer	4	40	354-134	Fitting - Hydraulic 90° (Incl. Ref. #39)	2
18	87-4970	Transaxle Mount Assembly (Incl. Ref. #19)	2	41	87-4920	Hose - Hydraulic	1
19		Spacer - Mount	2	42	3234-4	Screw - Hex. Flange Hd.	4
20	3296-39	Nut - Flange Lock	4	43	87-8780	Head - Oil Filter	1
21	87-5800	Bracket - Mount	2	44	68-9950	Spring - Extension	1
22	87-9530	Transaxle Assembly	1	45	87-7170	Bracket - Clutch Spring	1
23	87-4470	Bracket	1	46	72-4310	Switch - Ball N.C.	1
24	66-3160	Screw - Cap Hex. Hd.	7	47	237-42	Seal - O-Ring	1
25	237-123	Seal - O-Ring	1	48	87-7960	Lever - Shift Arm	2
26	87-3990	Oil Strainer Assembly (Incl. Ref. #25)	1	49	80-6990	Washer - Flat	3
				50	48-9520	Nut - Lock	3

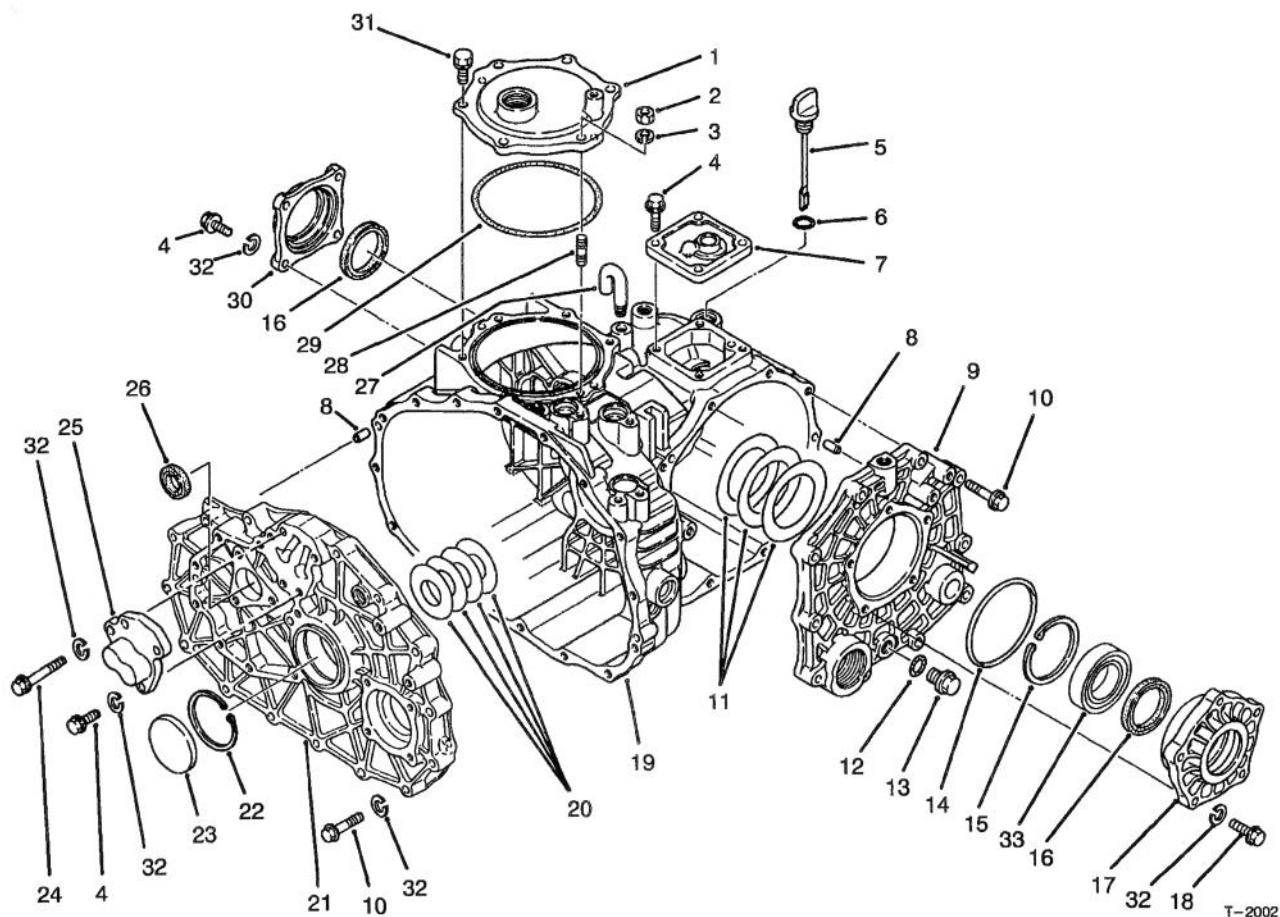


T-1994

TRANSAXLE INSTALLATION ASSEMBLY (Continued)

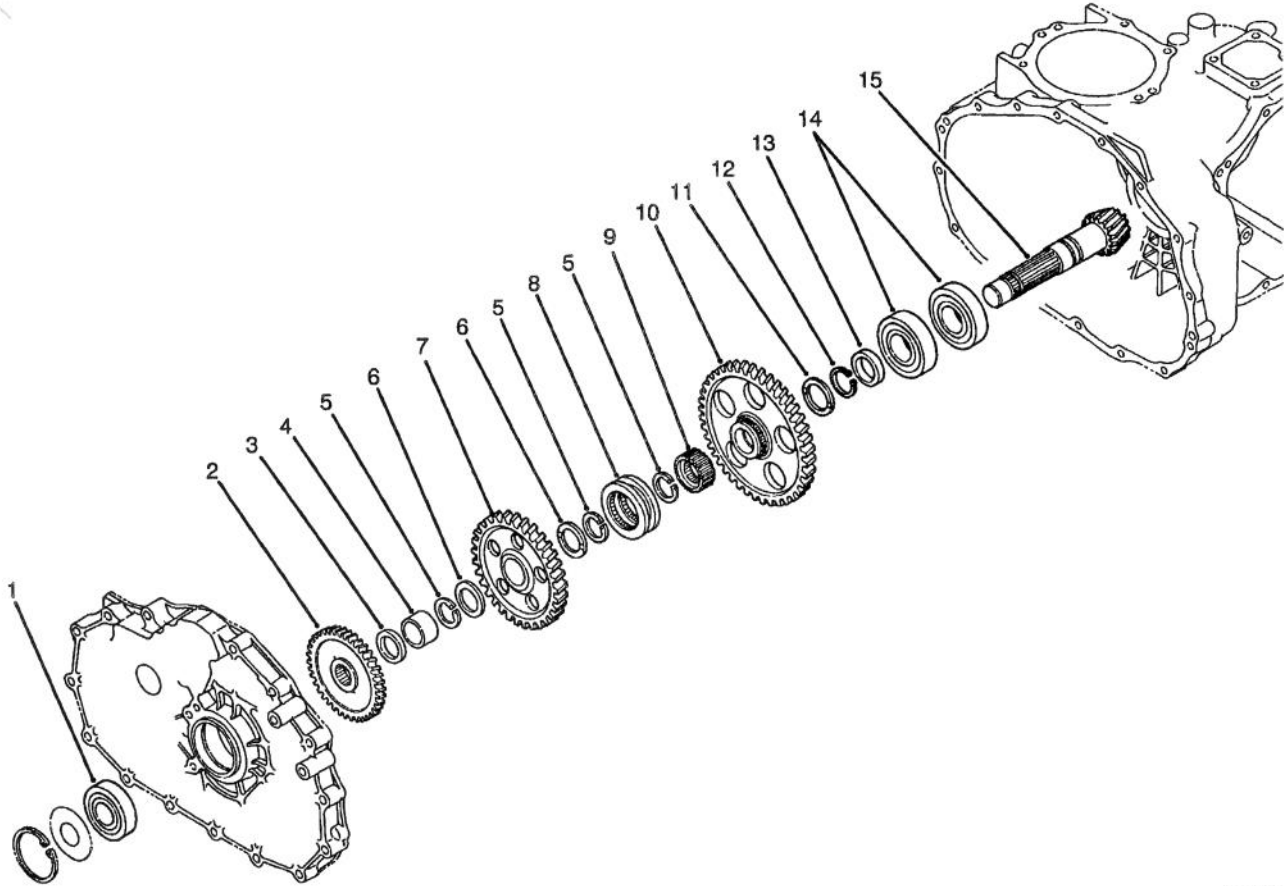
Ref. No.	Part No.	Description	No. Used
51	87-4260	Shift Cable Assembly (Incl. Ref. #37)	2
52	87-4420	Hi-Lo Cable Assembly (Incl. Ref. #32)	1

Ref. No.	Part No.	Description	No. Used
53	2412-34	Clamp - Hose	1
54	87-3670	Hose - Hydraulic	1



TRANSAXLE CASE ASSEMBLY

Ref. No.	Part No.	Description	No. Used	Ref. No.	Part No.	Description	No. Used
1	92-0656	Cover - P.T.O.	1	17	92-0654	Carrier - Differential	1
2	48-7930	Nut - Hex.	1	18	48-7730	Screw - Cap Hex. Hd.	5
3	92-0762	Washer - Lock	1	19	92-0651	Case - Transaxle	1
4	60-6750	Screw - Cap Hex. Hd.	11	20	92-0808	Shim Set	1
5	92-0662	Cap - Oil	1	21	92-5180	Plate - Center	1
6	92-0788	O-Ring	1	22	92-0759	Ring - Retaining	1
7	92-0652	Cover - Upper	1	23	92-0807	Cap - Sealing	1
8	92-0765	Pin - Alignment	4	24	48-7560	Screw - Cap Hex. Hd.	1
9	92-0653	Cover - Side	1	25	92-0706	Cap - Fork Shaft	1
10	42-9530	Screw - Cap Hex. Hd.	25	26	92-0791	Seal - Oil	1
11	92-0809	Shim Set	1	27	92-0743	Breather - Air	1
12	92-0787	O-Ring	1	28	92-0804	Stud	1
13	92-0773	Drain Plug Assembly (Incl. Ref. #12)	1	29	92-0790	O-Ring	1
14	92-0789	O-Ring	1	30	92-0655	Cover - Seal	1
15	92-0760	Ring - Retaining	1	31	92-0796	Screw - Cap Hex. Hd.	5
16	92-0793	Seal - Oil	2	32	42-9850	Washer - Lock	42
				33	92-0775	Bearing - Ball	2

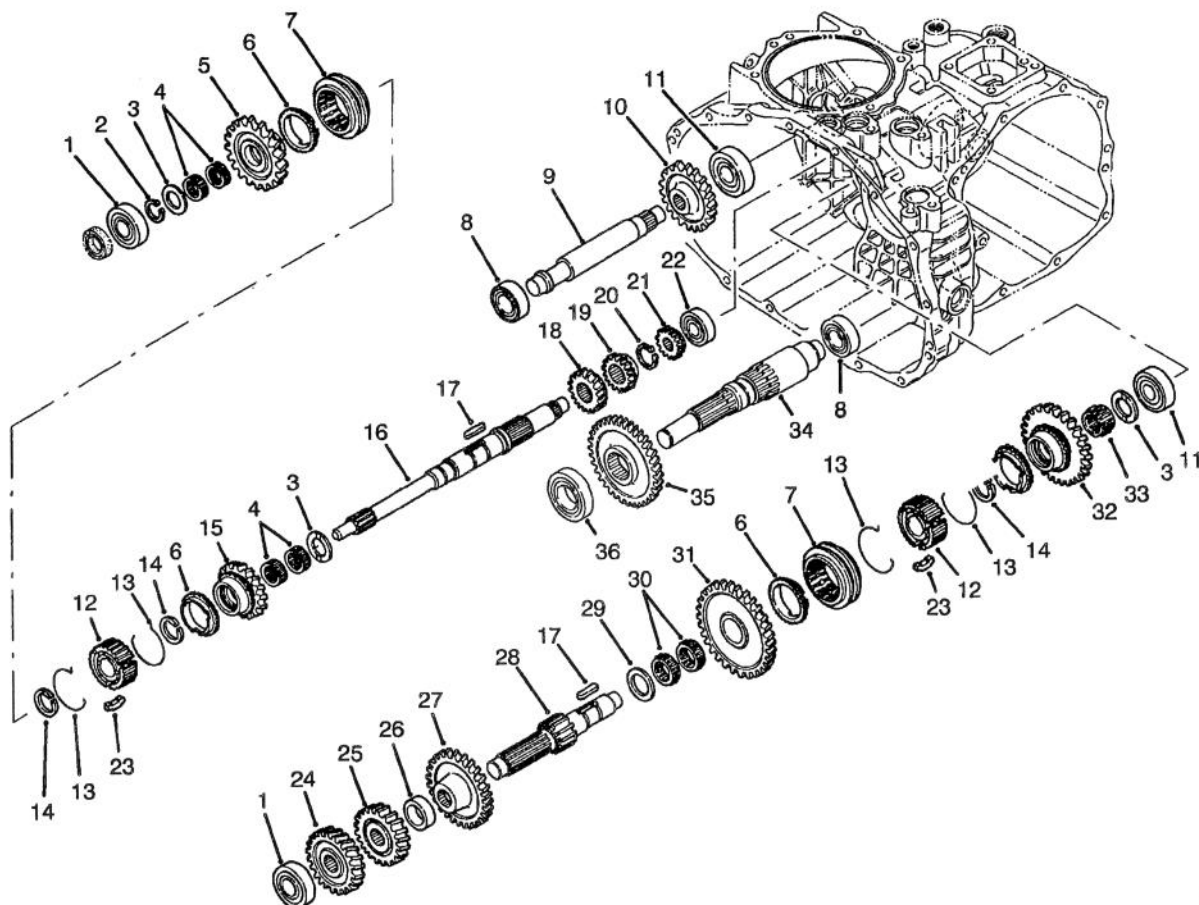


T-2003

COUNTERSHAFT ASSEMBLY

Ref. No.	Part No.	Description	No. Used
1	92-0712	Bearing - Ball	1
2	92-5186	Gear - 43T	1
3	92-0716	Collar	1
4	92-0783	Sleeve - Inner	1
5	92-0764	Ring - Retaining	3
6	92-0711	Washer - Thrust	2
7	92-0715	Gear - 49T	1
8	92-0718	Shifter - Hi-Lo	1

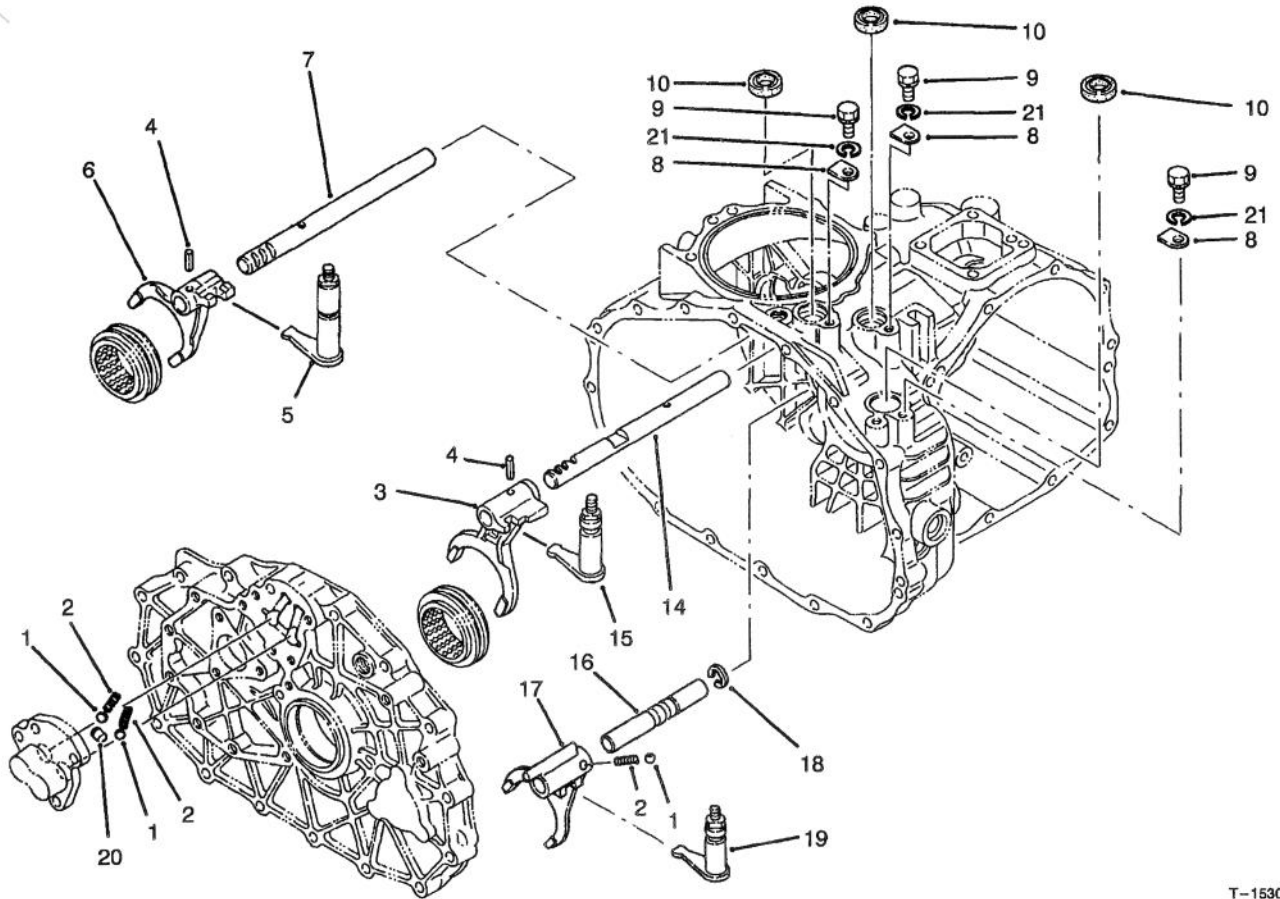
Ref. No.	Part No.	Description	No. Used
9	92-0719	Collar - Spine	1
10	92-0717	Gear - 71T	1
11	92-0741	Washer - Thrust	1
12	92-0755	Ring - Retaining	1
13	92-0713	Collar	1
14	92-0714	Bearing - Ball	2
15	92-0710	Counter Shaft Assembly (Incl. Ring Gear)	1



T-2004

TRANSAXLE GEAR SHAFTS ASSEMBLY

Ref. No.	Part No.	Description	No. Used	Ref. No.	Part No.	Description	No. Used
1	251-8	Bearing - Ball	2	19	92-0672	Gear - 18T	1
2	92-0753	Ring - Retaining	1	20	92-0754	Ring - Retaining	1
3	92-0740	Washer - Thrust	3	21	92-0673	Gear - 14T	1
4	92-0781	Bearing - Needle	4	22	92-0650	Bearing - Ball	1
5	92-0820	Gear - 27T	1	23	92-0665	Key - Synchro	6
6	92-0667	Ring - Synchro	3	24	92-0822	Gear - 28T	1
7	92-0668	Shifter - Synchro	2	25	92-0679	Gear - 23T	1
8	251-346	Bearing - Ball	2	26	92-0680	Collar	1
9	92-0824	Shaft - Reverse Idler	1	27	92-0823	Gear - 43T	1
10	92-0684	Gear - 33T	1	28	92-0674	Shaft - Reduction	1
11	92-0778	Bearing - Ball	2	29	92-0682	Washer - Thrust	1
12	92-0664	Hub - Synchro	2	30	92-0681	Bearing - Needle	2
13	92-0666	Spring - Synchro	4	31	92-0677	Gear - 49T	1
14	92-0763	Ring - Retaining	3	32	92-0819	Gear - 40T	1
15	92-0821	Gear - 24T	1	33	92-0782	Bearing - Needle	1
16	92-0663	Shaft - Main	1	34	92-5183	Shaft - Front Drive	1
17	92-0772	Key	2	35	92-5184	Gear - 41T	1
18	92-0687	Gear - 16T	1	36	92-5185	Bearing - Ball	1

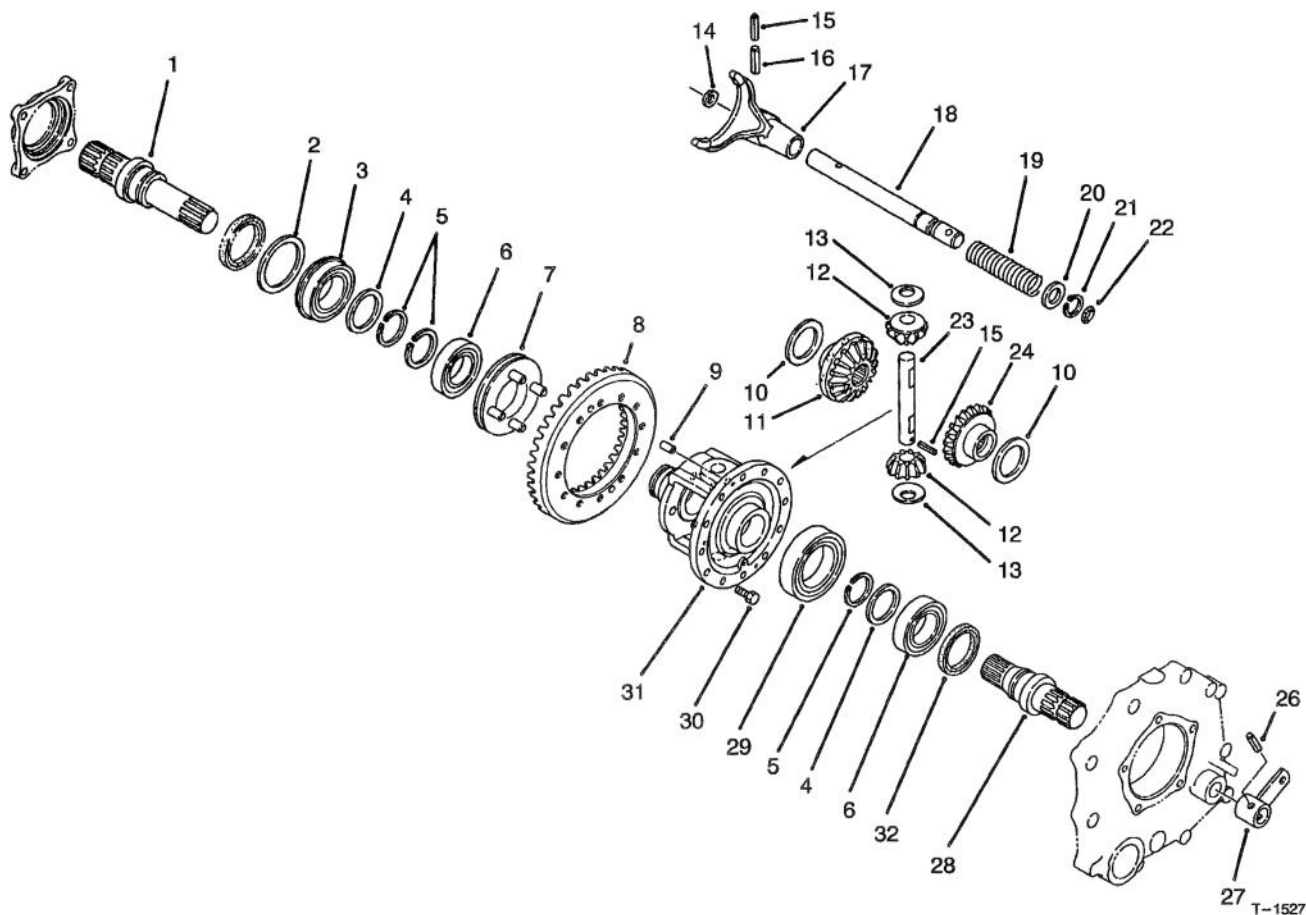


T-1530

SHIFT FORK ASSEMBLY

Ref. No.	Part No.	Description	No. Used
1	92-0785	Ball	3
2	92-0731	Spring - Compression	3
3	92-0700	Fork - Shift R-1	1
4	92-0769	Pin - Spring	2
5	92-0817	Arm - Shift Fork 2-3	1
6	92-0701	Fork - Shift 2-3	1
7	92-0699	Shaft - Fork 2-3	1
8	92-0732	Plate - Keeper	3
9	48-7700	Screw - Cap Hex. Hd.	3

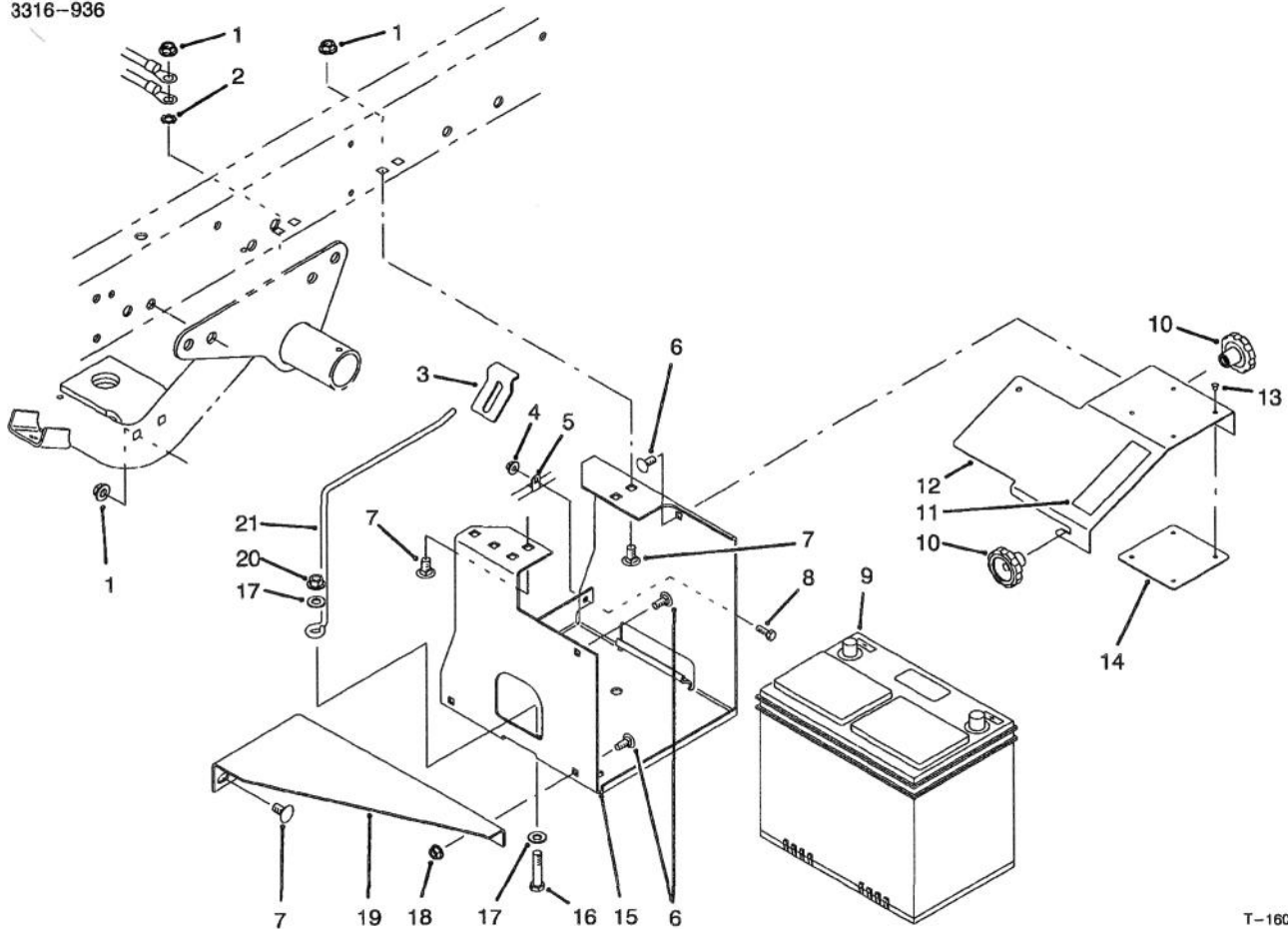
Ref. No.	Part No.	Description	No. Used
10	92-0729	Seal - Oil	3
14	92-0698	Shaft - Fork R-1	1
15	92-0816	Arm - Shift Fork R-1	1
16	92-0708	Shaft - Fork Hi-Lo	1
17	92-0709	Fork - Shift Hi-Lo	1
18	92-0761	Ring - Retaining	1
19	92-0818	Arm - Shift Fork Hi-Lo	1
20	92-0705	Lock - Spindle	1
21	42-9850	Washer - Lock	3



DIFFERENTIAL GEAR ASSEMBLY

Ref. No.	Part No.	Description	No. Used
1	92-0726	Shaft - Axle R.H.	1
2	92-0728	Washer	1
3	92-0780	Bearing - Ball	1
4	92-0727	Washer	2
5	92-0756	Ring - Retaining	3
6	92-0775	Bearing - Ball	2
7	92-0730	Slider - Differential Lock	1
8	92-0710	Ring Gear Assembly (Incl. Counter Shaft)	1
9	92-0765	Pin - Alignment	2
10	92-0747	Washer - Thrust	2
11	92-0746	Gear - Side R.H.	1
12	92-0748	Gear - Pinion	2
13	92-0750	Washer	2
14	92-0744	Washer	1
15	92-0768	Pin - Spring	2

Ref. No.	Part No.	Description	No. Used
16	92-0771	Pin - Spring	1
17	92-0721	Fork - Differential Lock	1
18	92-0722	Shaft - Lock Fork	1
19	92-0723	Spring - Compression	1
20	92-0733	Washer	1
21	92-0753	Ring - Retaining	1
22	92-0787	O-Ring	1
23	92-0749	Shaft - Pinion	1
24	92-0745	Gear - Side L.H.	1
26	92-0770	Pin - Spring	1
27	92-0724	Arm - Differential Lock	1
28	92-0725	Shaft - Axle L.H.	1
29	92-0776	Bearing - Ball	1
30	92-0803	Screw - Hex. Flange Hd.	12
31	92-0720	Case - Differential	1
32	92-0793	Seal - Oil	2



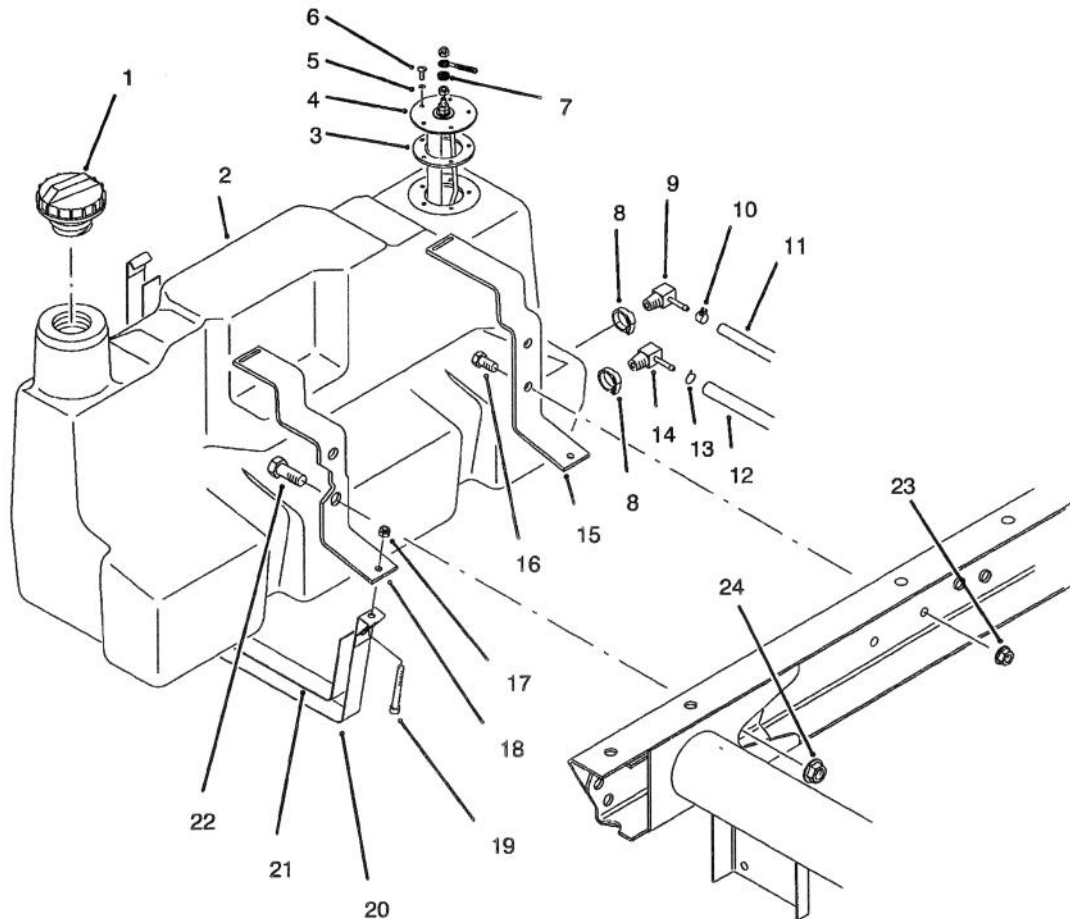
T-1608

BATTERY MOUNT ASSEMBLY

Ref. No.	Part No.	Description	No. Used
1	3290-357	Nut - Flange Lock	6
2	3255-9	Washer - Lock ETLW	1
3	87-7610	Tab - Battery Support	1
4	32128-33	Nut - Flange Lock	1
5	2412-89	Clamp - R	1
6	3230-23	Bolt - Carriage	4
7	3231-21	Bolt - Carriage	6
8	321-4	Screw - Cap Hex. Hd.	1
9	55-7291	Battery	1
10	19-4050	Knob	2
†11	36-3400	Decal - No Step	1

Ref. No.	Part No.	Description	No. Used
12	87-5130	Cover - Battery Base	1
13	3296-27	Rivet - Plastic	4
14	87-7620	Shield - Plastic	1
15	87-5120	Bracket - Battery Base	1
16	323-9	Screw - Cap Hex. Hd.	1
17	3256-24	Washer - Flat	2
18	32128-20	Nut - Flange Lock	2
19	87-5110	Support - Lower	1
20	3296-39	Nut - Flange Lock	1
21	87-7600	Rod - Battery Support	1

†For different language versions of this part, see International Decal Cross Reference.

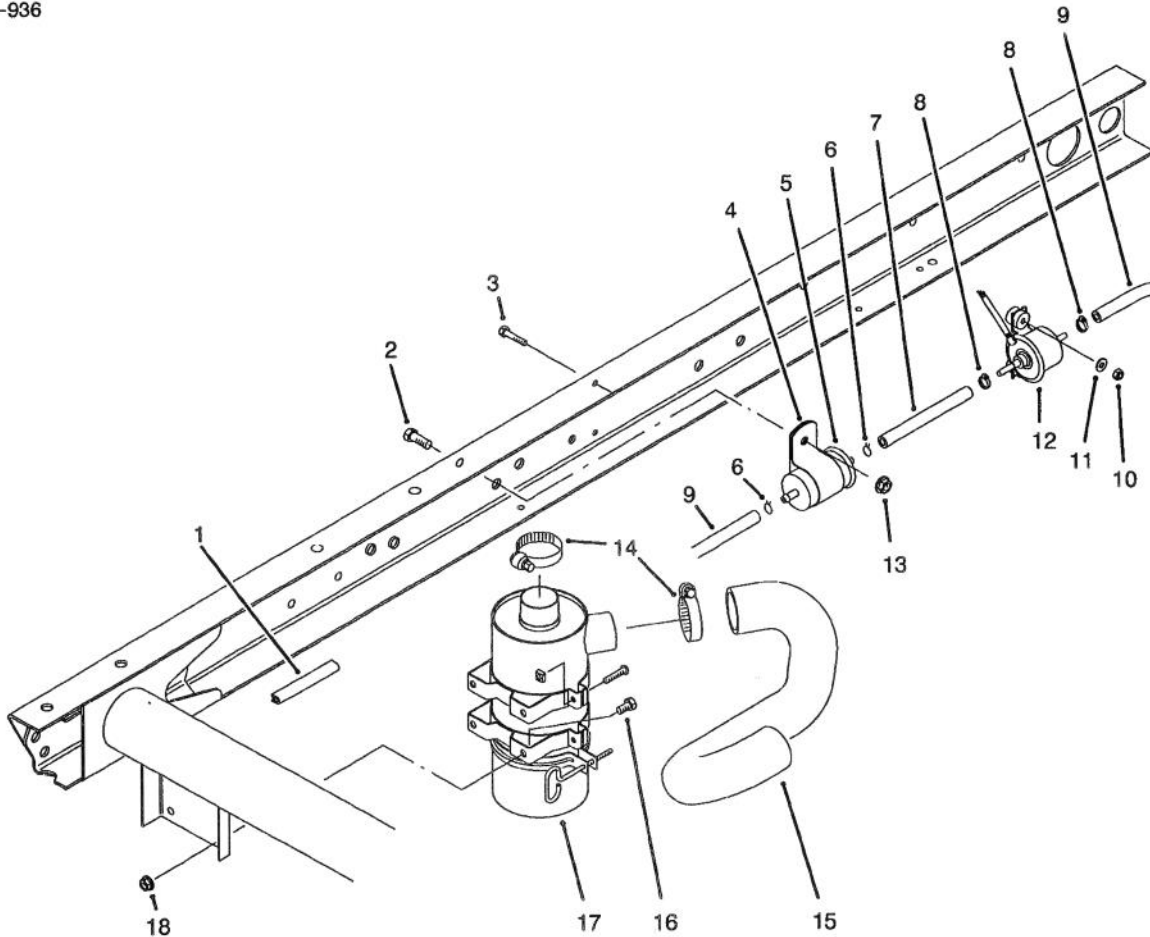


T-1609

FUEL TANK ASSEMBLY

Ref. No.	Part No.	Description	No. Used
1	93-3101	Cap - Fuel	1
2	87-0650	Fuel Tank Assembly (Incl. Ref. #8, 9 & 14)	1
3	62-7650	Gasket - Sending Unit	1
4	63-7640	Unit - Sending	1
5	3253-15	Washer - Lock	5
6	32122-24	Screw - Round Hd	1
7	5-3637	Washer - Flat	1
8	2412-36	Clamp	2
9	76-4430	Fitting - Fuel 90°	1
10	2412-108	Clamp - Hose	1
11	75-4701	Hose - Fuel	1
12	63-9640	Hose - Fuel	2

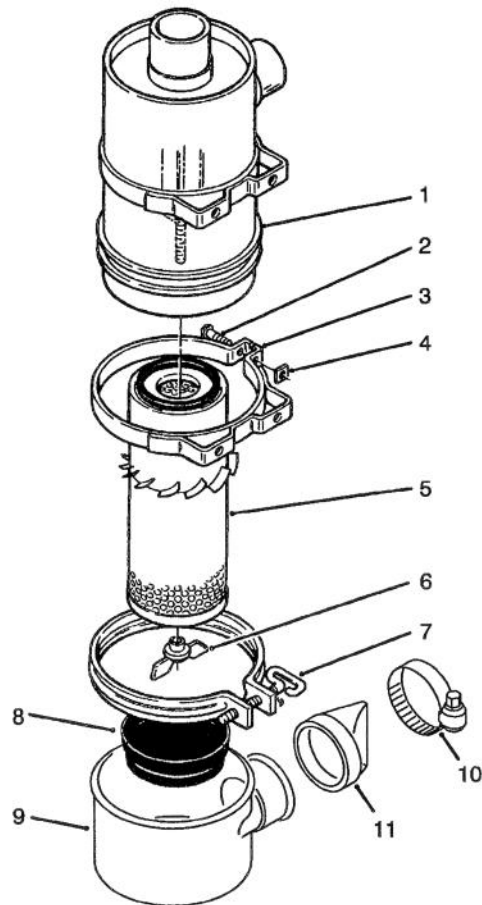
Ref. No.	Part No.	Description	No. Used
13	92-2379	Clamp - Hose	1
14	353-781	Fitting - Fuel 90°	1
15	87-3140	Support - Rear	1
16	323-4	Screw - Cap Hex. Hd.	2
17	3296-42	Nut - Lock	2
18	87-3150	Support - Front	1
19	3274-54	Screw - Hex. Socket Hd.	2
20	87-3160	Strap - Tank Support	2
21	87-3170	Pad - Tank Support Strap	2
22	3234-38	Screw - Cap Hex. Hd.	2
23	3290-357	Nut - Flange	2
24	32128-23	Nut - Flange	2



T-1738

AIR CLEANER & FUEL SUPPLY ASSEMBLY

Ref. No.	Part No.	Description	No. Used	Ref. No.	Part No.	Description	No. Used
1	43-4300	Trim	1	10	49-7810	Nut - Lock	2
2	323-6	Screw - Cap Hex. Hd.	1	11	3256-67	Washer - Flat	2
3	48-7650	Screw - Cap Hex. Hd.	2	12	92-2007	Pump - Fuel	2
4	2412-96	Clamp - R	1	13	3290-357	Nut - Flange	1
5	18-1520	Filter - Fuel	1	14	2412-92	Clamp - Hose	2
6	92-2379	Clamp - Hose	2	15	87-9310	Hose - Air Cleaner	1
7	71-2690	Hose - Fuel	1	16	322-2	Screw - Cap Hex. Hd.	4
8	2412-108	Clamp - Hose	2	17	87-9410	Air Cleaner Assembly	1
9	47-2964	Hose - Fuel	1	18	32128-20	Nut - Flange	4

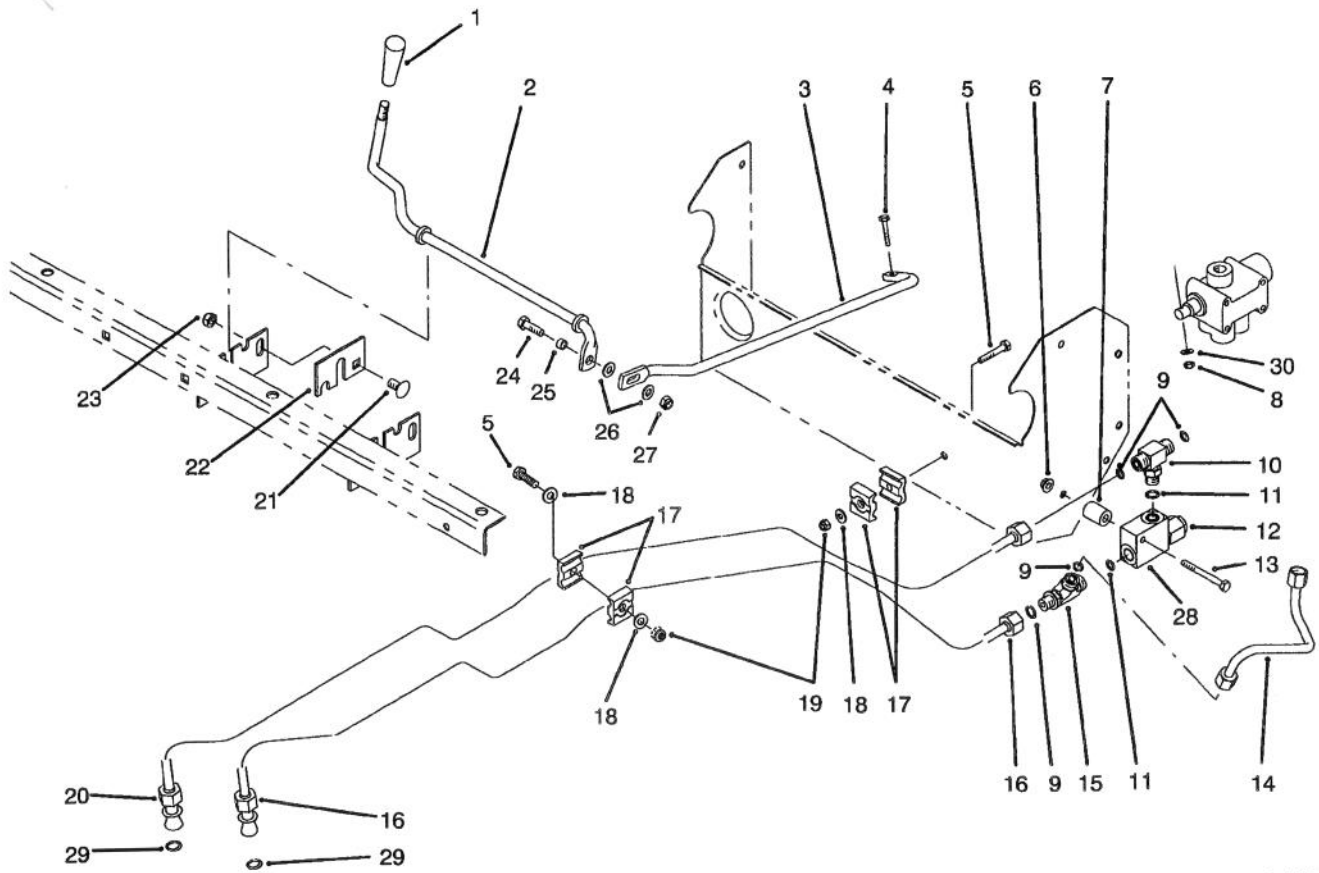


T-1349

AIR CLEANER ASSEMBLY

Ref. No.	Part No.	Description	No. Used	Ref. No.	Part No.	Description	No. Used
1		Body	1	7	33-1340	Clamp Assembly	1
2	3258-19	Screw - Round Head	2	8	33-1310	Baffle	1
3	33-1350	Band Assembly (Incl. Ref. #2 & 4)	2	9	87-9390	Cup	1
4	32107-11	Nut - Square	2	10	2412-130	Clamp - Hose	1
5	33-1300	Assembly - Element	1	11	87-9400	Valve	1
6	33-1330	Assembly - Nut	1	*	87-9410	Air Cleaner (Complete) (Incl. Ref. #1 & 5-11)	1

*Not Illustrated



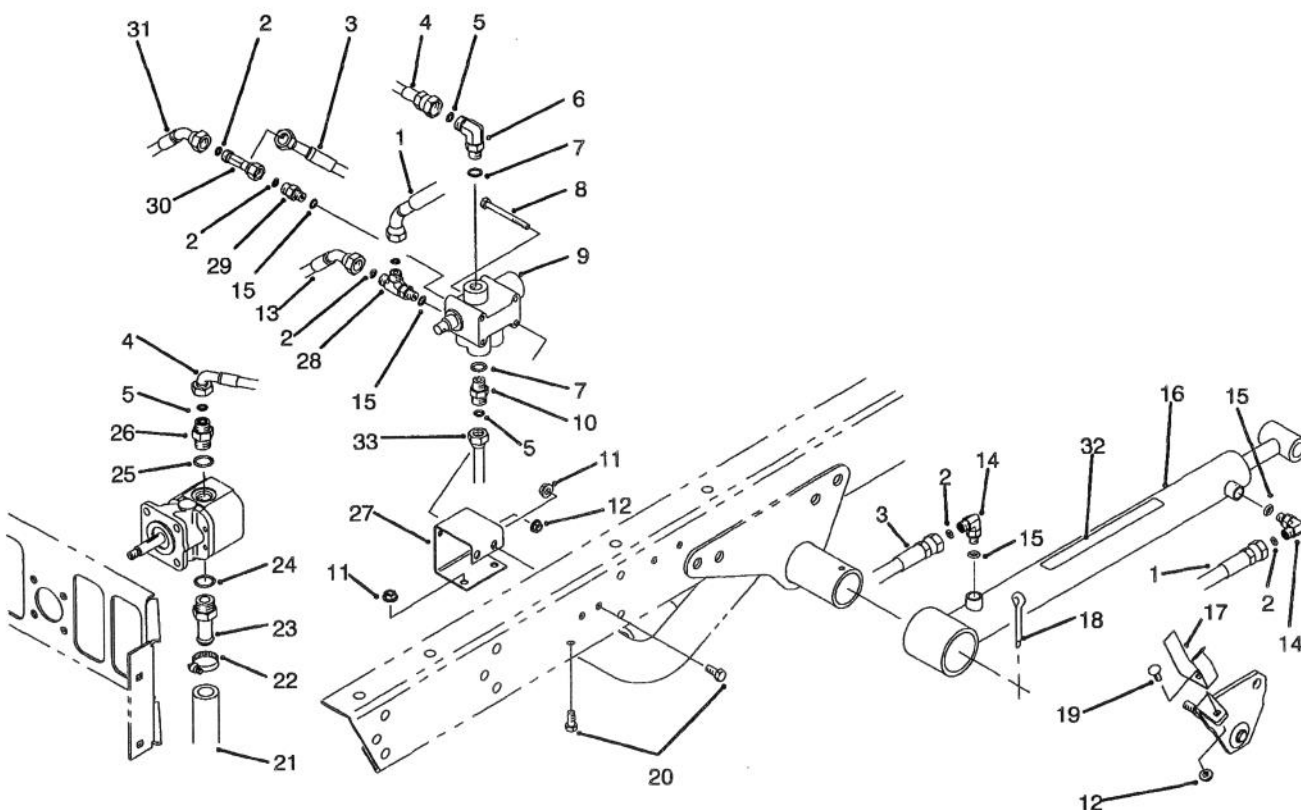
T-1610

LIFT VALVE LINKAGE ASSEMBLY

Ref. No.	Part No.	Description	No. Used
1	233-39	Knob	1
2	87-4500	Rod - Pivot	1
3	87-4510	Rod - Connecting	1
4	87-5150	Screw - Cap Hex. Hd.	1
5	321-9	Screw - Cap Hex. Hd.	2
6	32128-33	Nut - Flange Lock	1
7	75-9610	Spacer	1
8	87-5140	Nut - Lock	1
9	237-22	Seal - O-Ring	4
10	340-94	Fitting - Hydraulic Tee (Incl. Ref. #9 & 11)	1
11	237-42	Seal - O-Ring	2
12	92-2160	Cartridge - Relief Valve	1
13	321-15	Screw - Cap Hex. Hd.	1
14	87-4560	Tube - Hydraulic	1
15	340-86	Fitting - Hydraulic Tee (Incl. Ref. #9 & 11)	1
16	93-7092	Hydraulic Tube Assembly (Incl. Ref. #29)	1

Ref. No.	Part No.	Description	No. Used
17	56-7973	Clamp - Hydraulic Tube	4
18	3256-22	Washer - Flat	3
19	3296-42	Nut - Lock	2
20	93-7093	Hydraulic Tube Assembly (Incl. Ref. #29)	1
21	3231-21	Bolt - Carriage	1
22	87-4490	Bracket - Hold-Down	1
23	3296-39	Nut - Lock	1
24	322-5	Screw - Cap Hex. Hd.	1
25	87-5080	Spacer - Connecting	1
26	3256-23	Washer - Flat	2
27	3296-29	Nut - Lock	1
28	92-2161	Body - Relief Valve	1
29	39-7310	Seal - O-Ring	2
30	3256-14	Washer - Flat	1
*	87-3680	Assembly - Relief Valve (Incl. Ref. #12 & 28)	1

*Not Illustrated

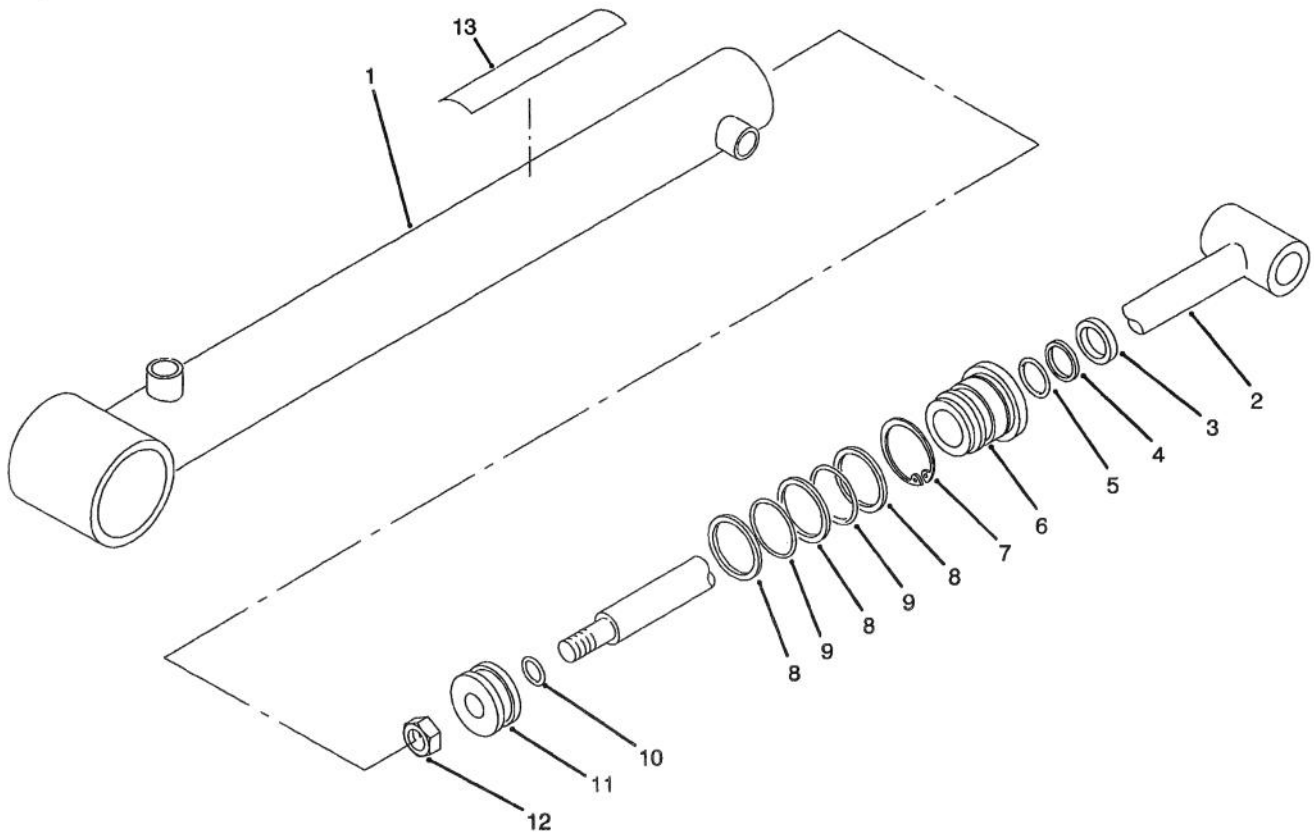


T-1611

LIFT VALVE & CYLINDER ASSEMBLY

Ref. No.	Part No.	Description	No. Used	Ref. No.	Part No.	Description	No. Used
1	92-2697	Hose - Hydraulic	1	19	3229-25	Screw - Carriage	2
2	237-21	Seal - O-Ring	6	20	322-3	Screw - Cap Hex. Hd.	4
3	87-4880	Hose - Hydraulic	1	21	87-3670	Hose - Hydraulic	1
4	87-4870	Hose - Hydraulic	1	22	2412-34	Clamp	1
5	237-22	Seal - O-Ring	3	23	354-136	Fitting - Hydraulic Straight (Incl. Ref. #24)	1
6	340-77	Fitting - Hydraulic 90° (Incl. Ref. #5 & 7)	1	24	237-80	Seal - O-Ring	1
7	237-42	Seal - O-Ring	2	25	237-79	Seal - O-Ring	1
8	321-14	Screw - Cap Hex. Hd.	2	26	340-3	Fitting - Hydraulic Straight (Incl. Ref. #5 & 25)	1
9	43-1950	Valve	1	27	87-4520	Bracket - Dump Valve	1
10	340-2	Fitting - Straight	1	28	340-140	Fitting - Hydraulic Tee (Incl. Ref. #2 & 15)	1
11	32128-20	Nut - Flange Head	4	29	340-92	Fitting - Hydraulic Straight (Incl. Ref. #2 & 15)	1
12	32128-33	Nut - Flange Head	2	30	340-151	Fitting - Hydraulic Tee (Incl. Ref. #2)	1
13	87-4910	Hose - Hydraulic	1	31	87-4900	Hose - Hydraulic	1
14	340-132	Fitting - Hydraulic 90° (Incl. Ref. #2 & 15)	4	‡32	87-7930	Decal - Warning	2
15	237-78	Seal - O-Ring	4	33	87-4560	Tube - Hydraulic	1
16	87-7990	Hydraulic Cylinder Assy. (Incl. Ref. #32)	1				
17	87-3720	Retainer - Cylinder	2				
18	3272-37	Pin - Cotter	2				

‡For different language versions of this part, see International Decal Cross Reference.



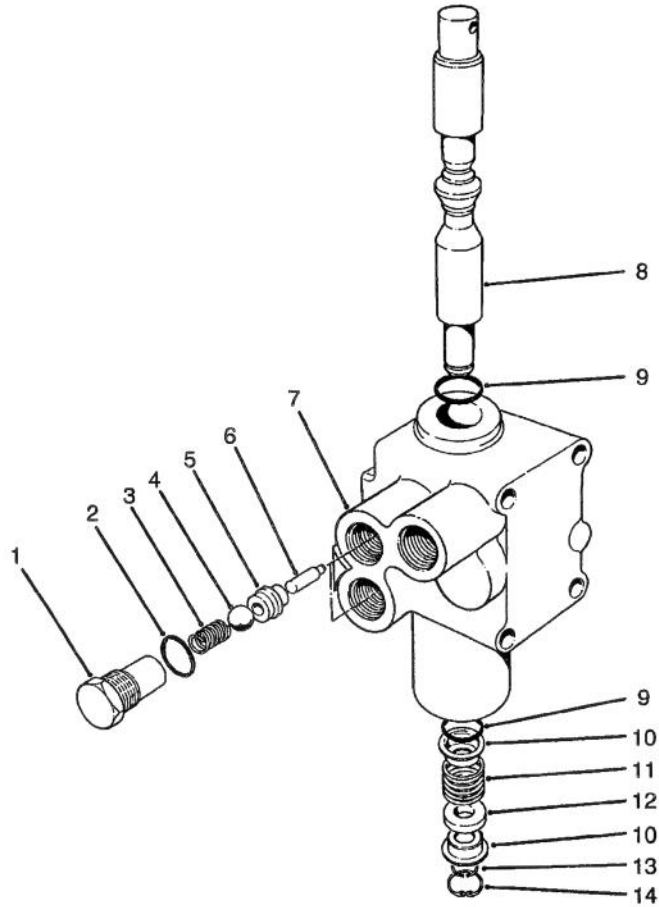
T-1612

LIFT CYLINDER 87-7990

Ref. No.	Part No.	Description	No. Used	Ref. No.	Part No.	Description	No. Used
1		Barrel Assembly	1	9		Seal - O-Ring	2
2	92-2163	Shaft	1	10		Seal - O-Ring	1
3		Seal - Dust	1	11	43-5150	Piston	1
4		Backup	1	12	32152-10	Nut	1
5		Seal - O-Ring	1	‡13	87-7930	Decal - Warning	1
6	92-2162	Head	1	*	92-2165	Kit - Repair (Incl. Ref. #3-5 & 8-10)	1
7	84-1680	Ring - Retaining	1				
8		Backup	3				

*Not Illustrated

‡For different language versions of this part, see International Decal Cross Reference.

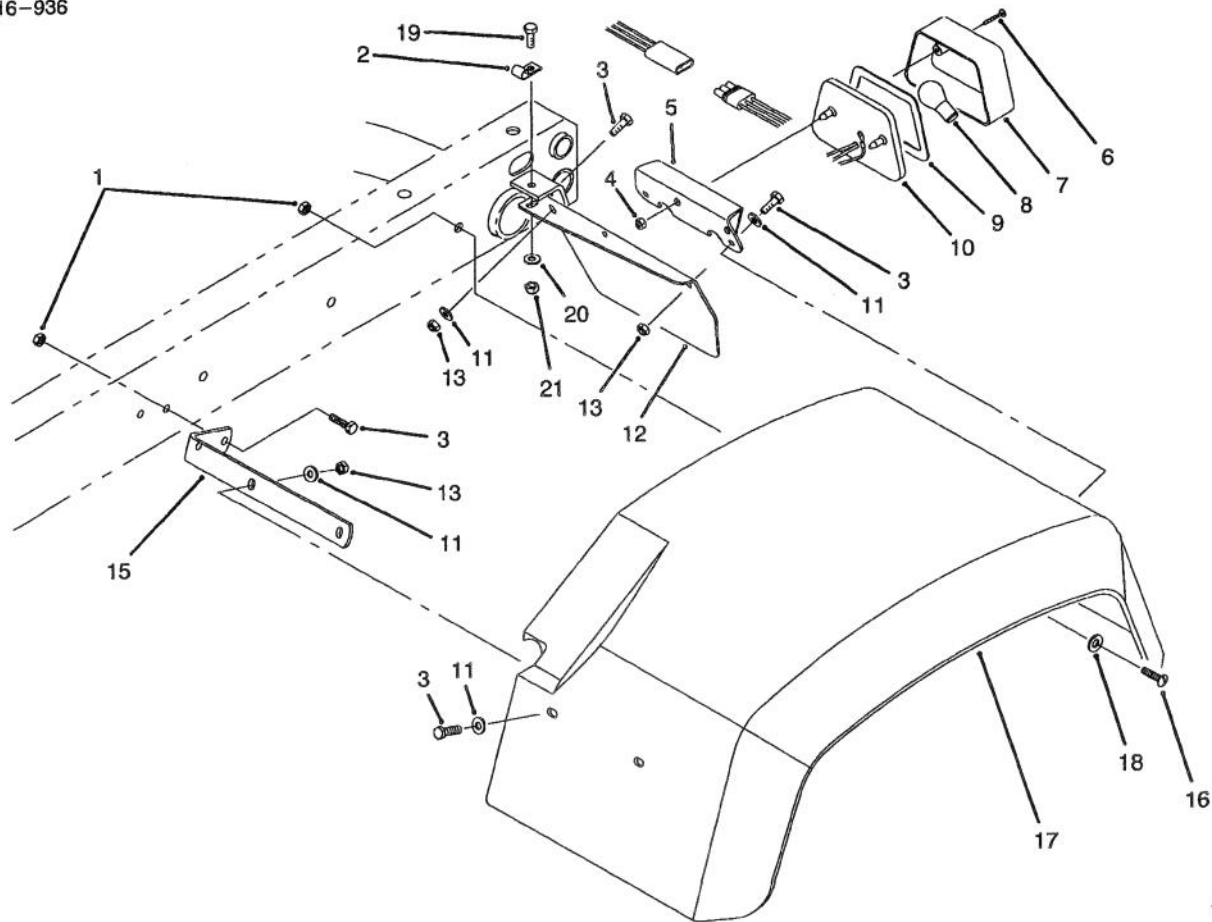


T-0280

CONTROL VALVE ASSEMBLY NO. 43-1950

Ref. No.	Part No.	Description	No. Used
1	22-8330	Plug	2
2	237-42	O-Ring	2
3	22-8340	Spring	2
4	22-8350	Ball	2
5	22-8370	Seat-Check Valve	2
6	22-8360	Pin - Cam	2
7		Body	1

Ref. No.	Part No.	Description	No. Used
8	22-8420	Spool	1
9	22-8500	O-Ring	2
10	22-8380	Retainer - Spring	2
11	22-8410	Spring	1
12	23-3030	Spacer	1
13	22-8480	Ring - Retaining, Spool	1
14	22-8490	Ring - Retaining	1

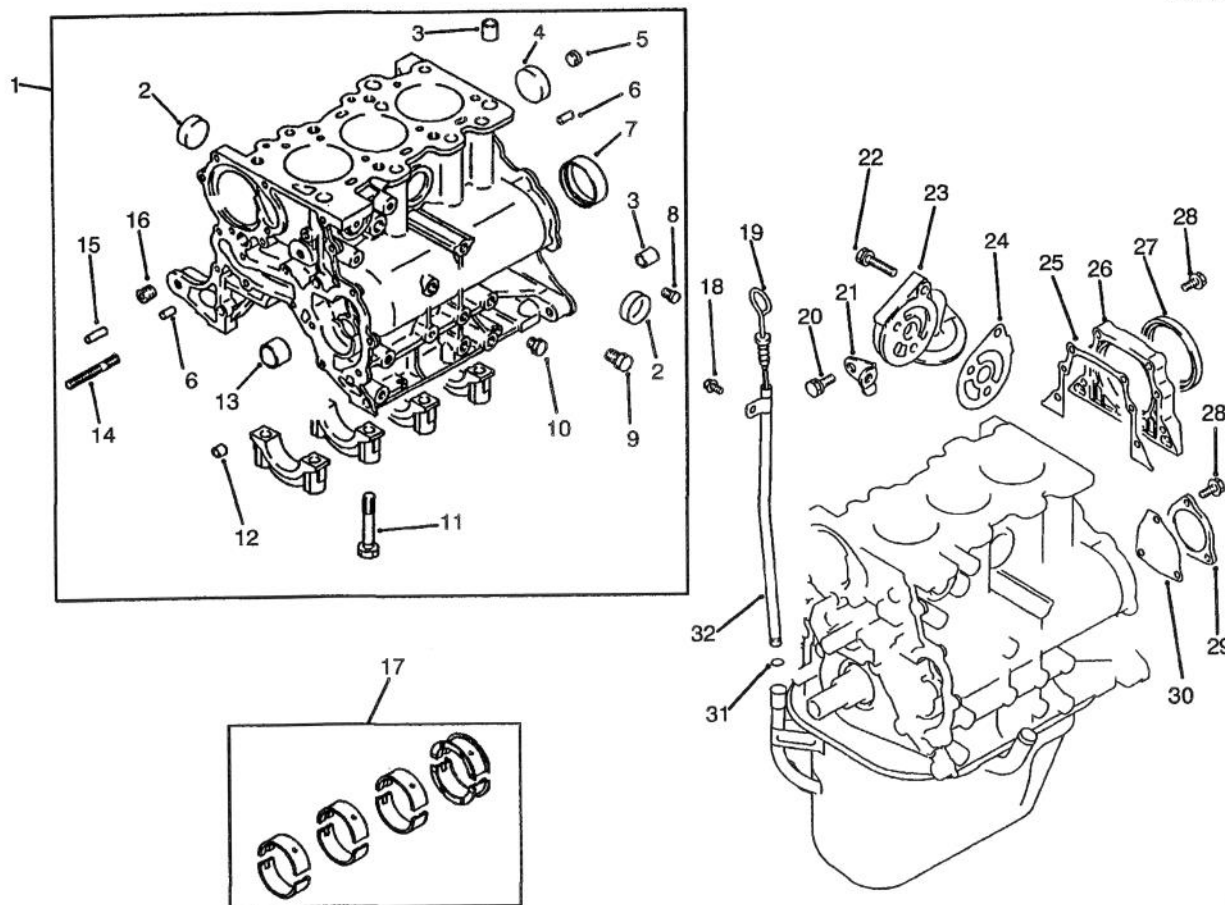


T-1613

REAR FENDER & TAIL LIGHT ASSEMBLY

Ref. No.	Part No.	Description	No. Used	Ref. No.	Part No.	Description	No. Used
1	3296-39	Nut - Lock	6	11	3256-22	Washer - Flat	19
2	2412-93	Clamp - R	1	12	93-8943	Plate - Tail Light LH	1
3	321-6	Screw - Cap Hex. Hd.	16	*	93-8944	Plate - Tail Light RH	1
4	3290-506	Palnut	2	13	3296-42	Nut - Lock	12
5	87-5770	U-Bracket - Tail Light	1	15	93-8941	Bracket - Front LH	1
6	32144-93	Screw - Self Tapping	2	*	93-8942	Bracket - Front RH	1
7	87-6300	Lens	1	16	3274-94	Screw - Socket Button Hd.	6
8		Bulb (#1157 Std. 12 Volt)	1	17	87-6660	Fender - Rear 24"	2
9	87-6310	Gasket	1	18	3256-24	Washer - Flat	6
10	87-2110	Tail Light Assembly (Incl. Ref. #6-9)	1	19	322-5	Screw - Cap Hex. Hd.	4
				20	3256-23	Washer - Flat	4
				21	3296-29	Nut - Lock	4

*Not Illustrated

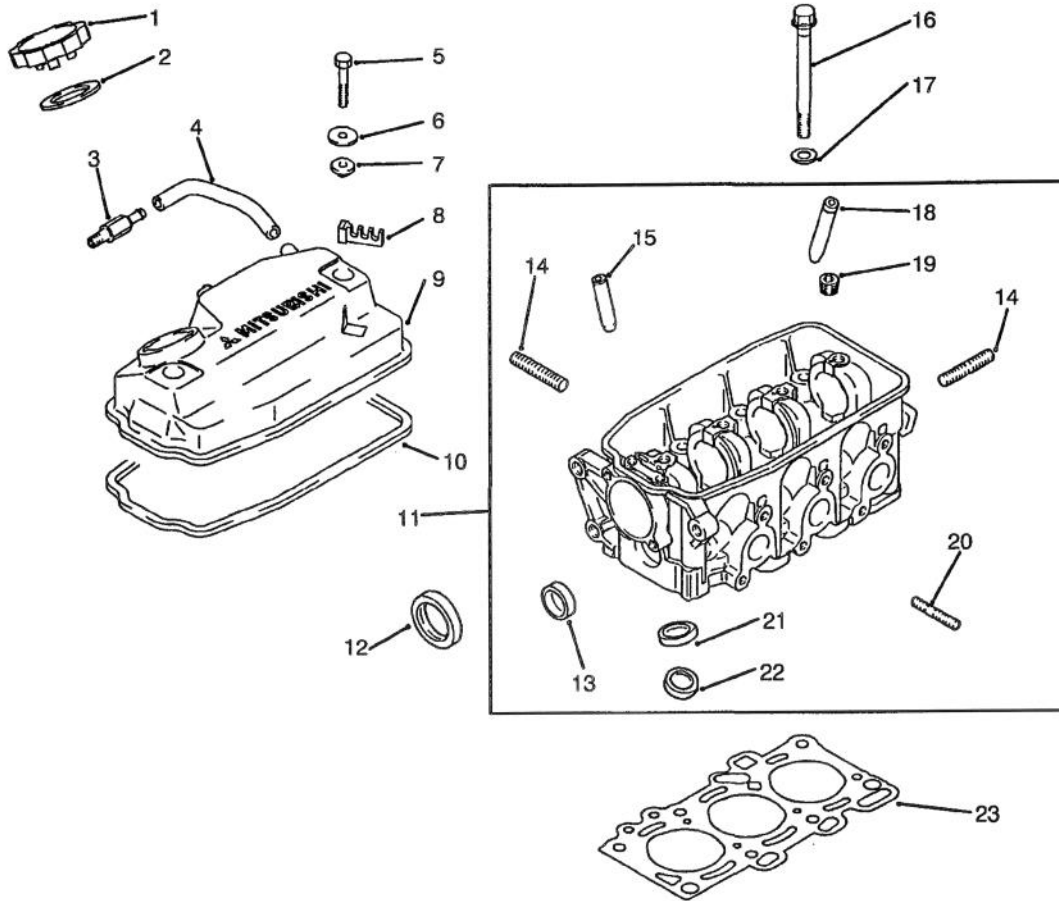


T-1631

CYLINDER BLOCK ASSEMBLY

Ref. No.	Part No.	Description	No. Used
1	92-2006	Assembly - Crankcase (Incl. Ref. #2-16)	1
2	92-2151	Cap - Sealing	3
3	92-2152	Bushing	4
4	92-1994	Cap - Sealing	1
5	92-1935	Plug - Taper	1
6	92-2148	Pin - Dowel	2
7	92-1982	Bearing - Ring	1
8	92-1902	Plug - Taper	1
9	56-0100	Plug - Taper	1
10	92-1910	Plug - Taper	1
11	67-2250	Bolt	8
12	67-2360	Bushing	4
13	92-1981	Bearing - Front	1
14	92-5107	Stud	1
15	92-1958	Pin - Dowel	1
16	67-2390	Plug - Taper	1

Ref. No.	Part No.	Description	No. Used
17	92-1956	Bearing - Set, Main	1
18	92-5112	Bolt - Flange Head	1
19	92-5110	Gauge - Oil Level	1
20	92-2144	Bolt	2
21	92-5109	Stay - Oil Filter	1
22	92-2143	Bolt	3
23	92-2012	Bracket - Oil Filter	1
24	92-5108	Gasket - Bracket	1
25	92-1987	Gasket	1
26	92-2045	Housing - Seal, Oil	1
27	92-1952	Seal - Oil	1
28	92-2131	Bolt - Flange Head	7
29	92-1945	Cover - Rear	1
30	92-1991	Gasket	1
31	92-1925	O-Ring	1
32	92-5111	Guide - Oil Level Gauge	1



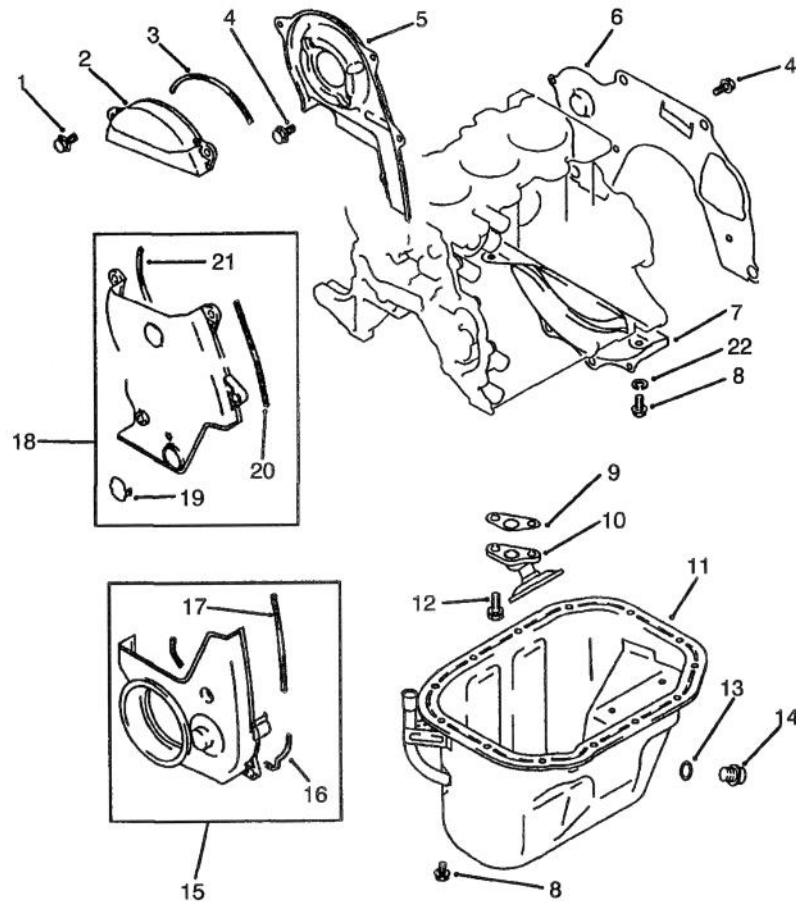
T-1630

ROCKER COVER & CYLINDER HEAD ASSEMBLY

Ref. No.	Part No.	Description	No. Used
1	92-1975	Cap - Oil (Incl. Ref. #2)	1
2	92-1943	Packing	1
3	92-2050	PCV Valve	1
4	92-2026	Hose - PCV Valve	1
5	92-2128	Bolt - Cover	2
6	92-2063	Washer	2
7	92-1929	Seal - Oil	2
8	92-1915	Clamp - Cable	1
9	92-2020	Assembly - Cover (Incl. Ref. #8 & 10)	1
10	92-1944	Gasket - Cover, Rocker	1
11	92-2034	Head - Cylinder (Incl. Ref. #13-15 & 18-22)	1
12	92-2021	Seal - Oil	1
13	92-2151	Cap - Sealing	1
14	42-9560	Stud	3
15	92-1926	Guide - Intake Valve (.05 mm OS)	3
*	92-5103	Guide - Intake Valve (.25 mm OS)	3
*	92-5104	Guide - Intake Valve (.50 mm OS)	3

Ref. No.	Part No.	Description	No. Used
16	92-1971	Bolt	8
17	92-1903	Washer	8
18	92-1911	Guide - Exhaust Valve (.05 mm OS)	1
*	92-5105	Guide - Exhaust Valve (.25 mm OS)	1
*	92-5106	Guide - Exhaust Valve (.50 mm OS)	1
19	92-1916	Plug - Taper	1
20	92-1905	Stud	6
21	92-1959	Seat - Intake Valve (.30 mm OS)	3
*	92-5102	Seat - Intake Valve (.60 mm OS)	3
22	92-1976	Seat - Exhaust Valve (.30 mm OS)	3
*	92-5101	Seat - Exhaust Valve (.60 mm OS)	3
23	92-1997	Gasket - Cylinder	1

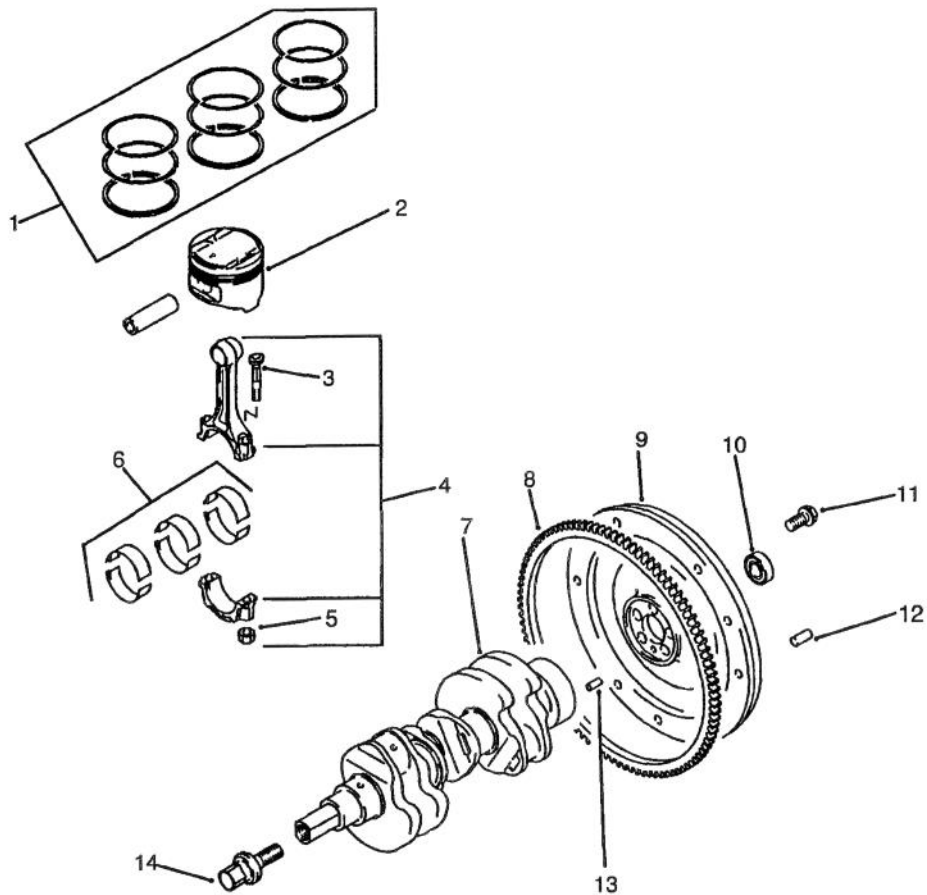
*Not Illustrated



T-1632

COVERS & OIL PAN ASSEMBLY

Ref. No.	Part No.	Description	No. Used	Ref. No.	Part No.	Description	No. Used
1	92-5113	Bolt - Flange Head	3	12	92-2137	Bolt/washer	2
2	92-1965	Assembly - Cover (Incl. Ref.#3)	1	13	92-1921	Gasket - Oil	1
3	92-1962	Gasket	1	14	92-1920	Plug - Oil	1
4	92-2131	Bolt - Flange Head	2	15	92-1967	Assembly - Cover (Incl. Ref. #16-17)	1
5	92-2035	Cover - Front	1	16	92-1939	Gasket	1
6	92-1937	Plate - Rear	1	17	92-1940	Gasket	1
7	92-1938	Cover - Bell Housing	1	18	92-1996	Assembly - Cover, Front (Incl. Ref.#19-21)	1
8	48-7610	Bolt - Hex. Head	2	19	92-1907	Cover - Access	1
9	92-1988	Gasket - Oil	1	20	92-1962	Gasket	1
10	92-2019	Strainer - Oil	1	21	92-1966	Gasket	1
11	92-2053	Assembly - Oil Pan (Incl. Ref.#13-14)	1	22	3253-3	Washer - Lock	2



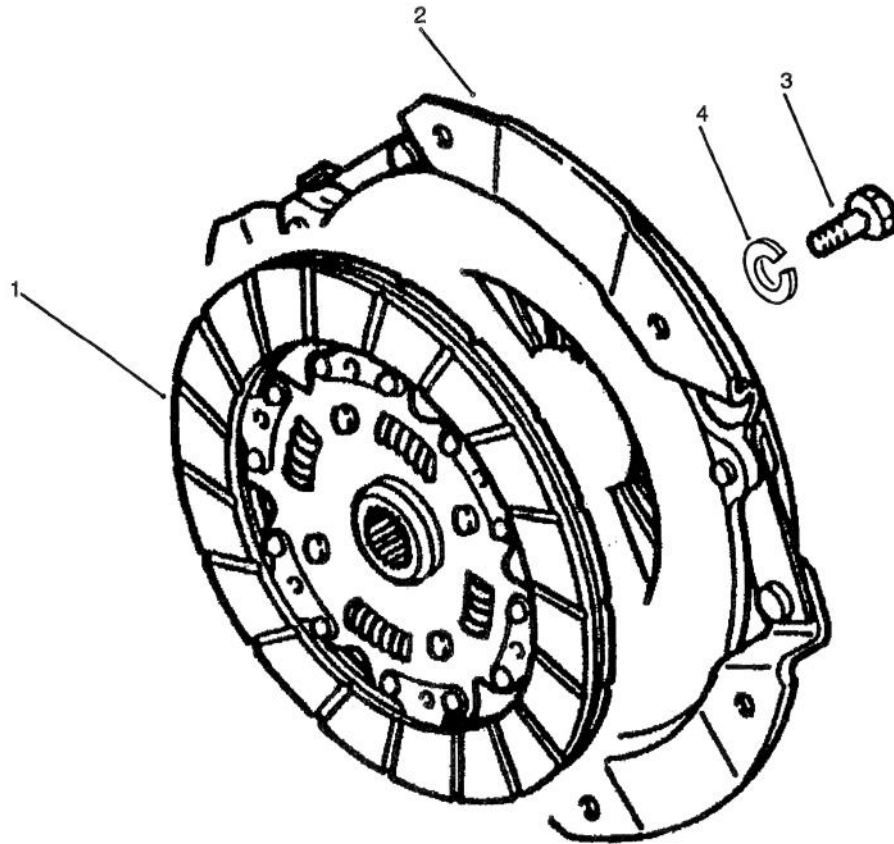
T-1633

PISTON & CRANKSHAFT ASSEMBLY

Ref. No.	Part No.	Description	No. Used
1	92-2014	Piston Ring Set (Std.)	1
*	92-5118	Piston Ring Set (.25 mm OS)	1
*	92-2015	Piston Ring Set (.50 mm OS)	1
*	92-5120	Piston Ring Set (.75 mm OS)	1
*	92-5121	Piston Ring Set (1.00 mm OS)	1
2	92-2005	Piston & Pin (Std.)	3
*	92-5114	Piston & Pin (.25 mm OS)	3
*	92-2013	Piston & Pin (.50 mm OS)	3
*	92-5116	Piston & Pin (.75 mm OS)	3
*	92-5117	Piston & Pin (1.00 mm OS)	3

Ref. No.	Part No.	Description	No. Used
3	92-2003	Bolt - Connecting Rod	6
4	92-1999	Rod - Connecting (Incl. Ref. #3 & 5)	3
5	92-1923	Nut	6
6	92-1957	Rod Bearing Set	1
7	92-1995	Assembly - Crankshaft	1
8	92-1942	Gear - Ring	1
9	92-1980	Flywheel	1
10	92-1914	Bearing - Ball	1
11	92-1934	Bolt - Flywheel	5
12	42-7160	Pin - Dowel	3
13	92-2148	Pin - Dowel	1
14	92-2057	Bolt - Crankshaft PTO	1

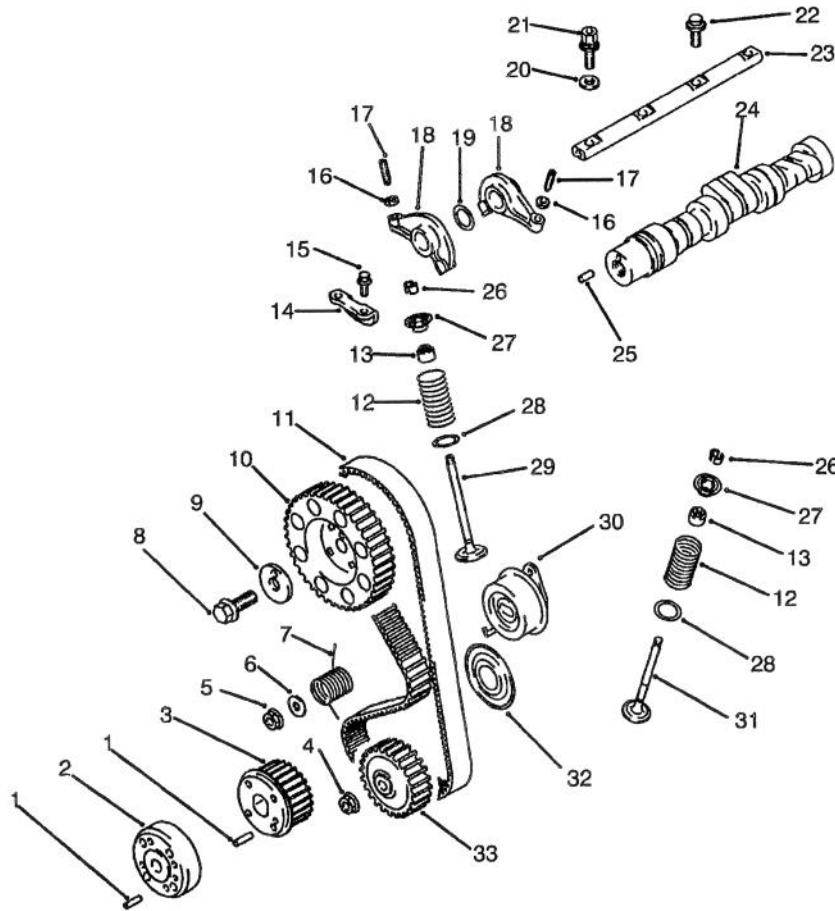
*Not Illustrated



T-1644

CLUTCH & CLUTCH RELEASE ASSEMBLY

Ref. No.	Part No.	Description	No. Used	Ref. No.	Part No.	Description	No. Used
1	87-3190	Disc - Clutch	1	3	48-7700	Bolt	6
2	87-3180	Cover - Clutch	1	4	3253-4	Washer - Lock	6

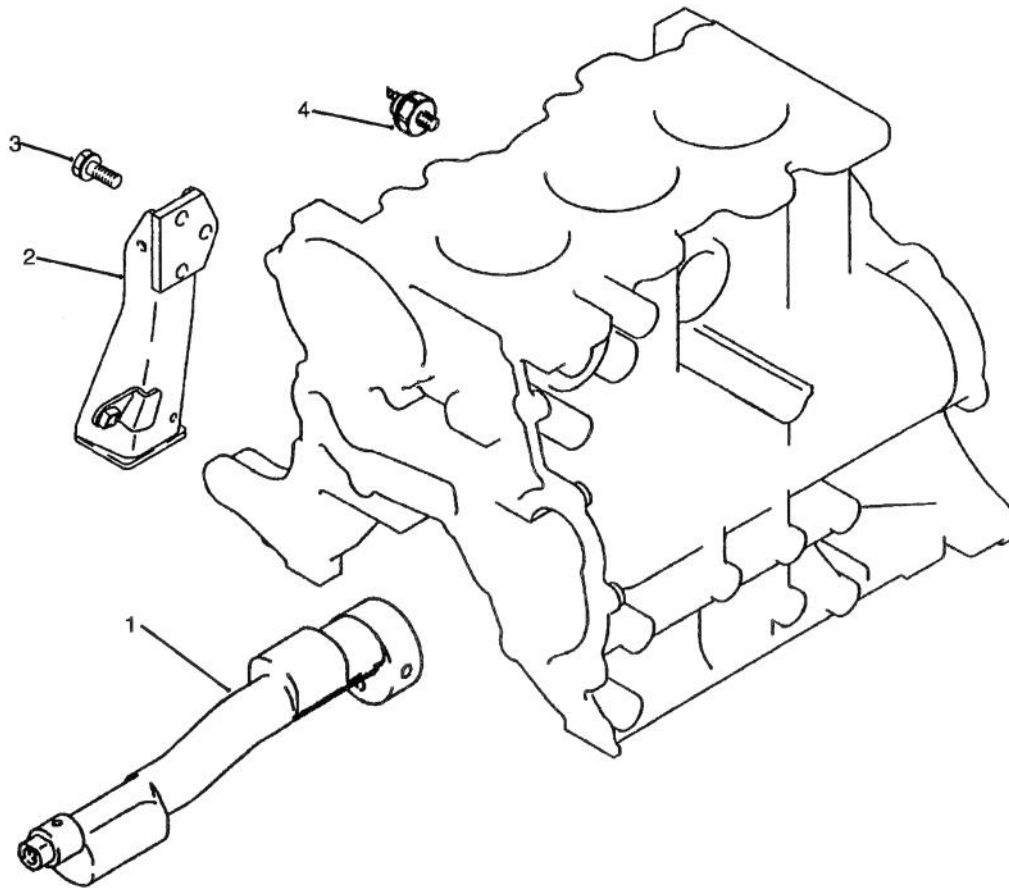


T-1634

CAMSHAFT & VALVES ASSEMBLY

Ref. No.	Part No.	Description	No. Used
1	92-2149	Pin	2
2	92-2062	Assembly - PTO Adapter (Incl. Ref.#1)	1
3	92-2061	Assembly - PTO Sprocket (Incl. Ref.#1)	1
4	92-5122	Nut - Timing Belt	1
5	92-2145	Nut - Flange	1
6	92-2147	Washer	1
7	92-2001	Spring	1
8	92-2135	Bolt - Flange Head	1
9	92-1922	Washer	1
10	92-2000	Sprocket	1
11	92-2059	Belt - Timing	1
12	92-1977	Spring - Valve	6
13	92-1961	Seal - Valve	6
14	92-1964	Plate - Cam	1
15	92-2130	Bolt - Flange Head	2
16	92-1909	Nut	6

Ref. No.	Part No.	Description	No. Used
17	92-1953	Screw - Adjusting	6
18	92-1947	Arm - Rocker	6
19	92-1930	Washer - Wave	2
20	92-1972	Washer	2
21	92-2017	Bolt - Rocker Shaft	2
22	92-2018	Bolt - Rocker Shaft	2
23	92-1973	Shaft - Rocker Arm	1
24	92-2049	Assembly - Camshaft (Incl. Ref.#25)	1
25	92-2010	Pin - Dowel	1
26	42-7860	Lock - Valve	12
27	92-1931	Retainer	6
28	92-1936	Seal - Valve	6
29	92-1954	Valve - Inlet	3
30	92-1968	Tensioner - Belt	1
31	92-1955	Valve - Exhaust	3
32	92-2056	Flange - PTO	1
33	92-2042	Sprocket - Oil	1

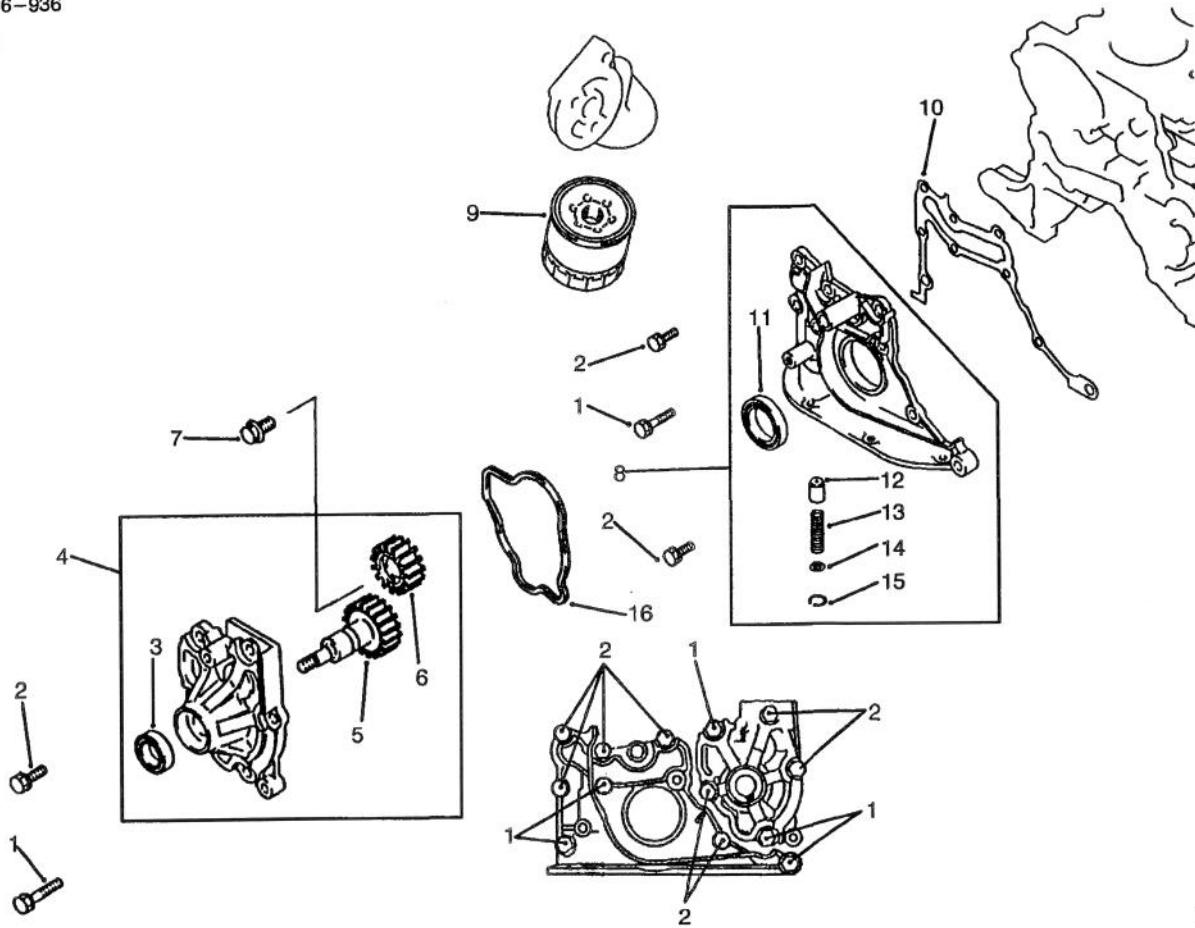


T-1635

BALANCER & OIL PRESSURE SWITCH & ENGINE MOUNT

Ref. No.	Part No.	Description	No. Used
1	92-1998	Shaft - Balancer	1
2	92-2022	Mount - Engine	1

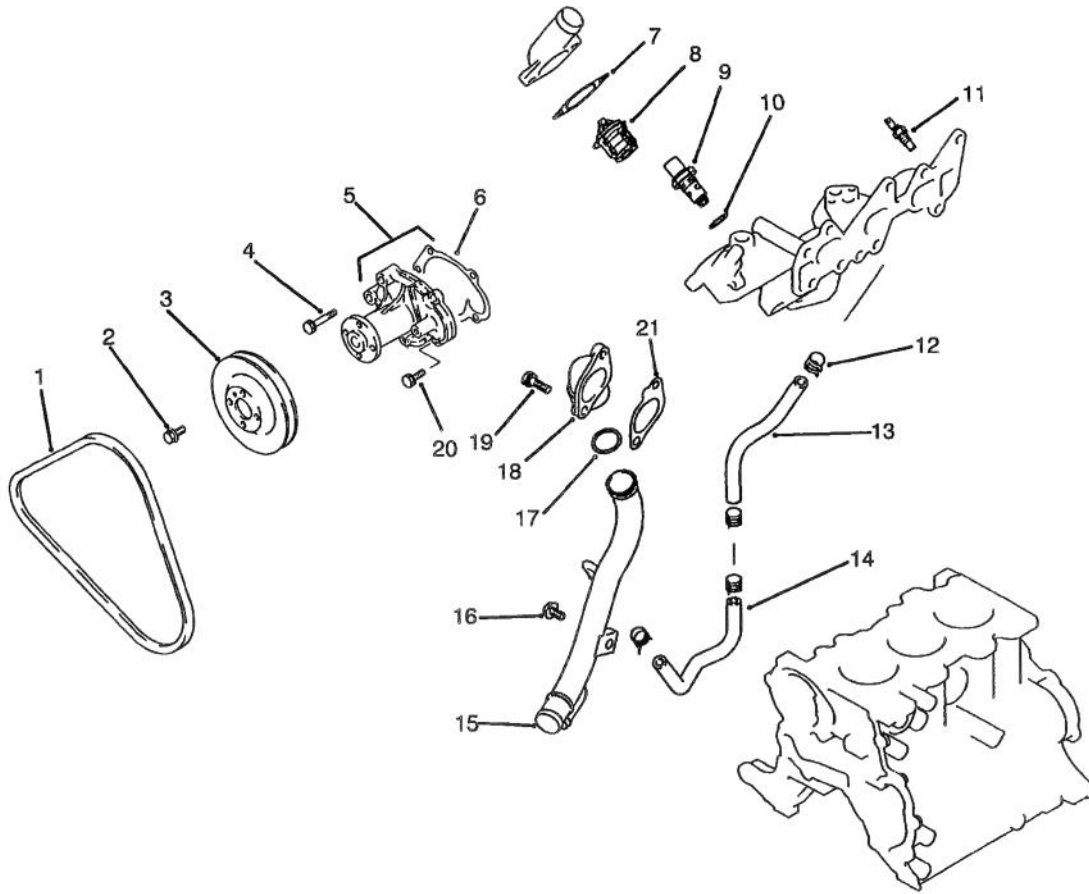
Ref. No.	Part No.	Description	No. Used
3	92-5123	Bolt - Engine Mount	3
4	92-1978	Switch - Oil Pressure	1



T-1636

OIL PUMP & FILTER ASSEMBLY

Ref. No.	Part No.	Description	No. Used	Ref. No.	Part No.	Description	No. Used
1	67-2560	Bolt/washer	5	9	67-4330	Filter - Oil	1
2	42-9400	Bolt/washer	8	10	92-1946	Gasket - Front	1
3	92-2032	Seal - Oil	1	11	92-1960	Seal - Oil	1
4	92-2046	Assembly - Oil Pump (Incl. Ref.#3, 5 & 6)	1	12	92-1927	Plunger - Relief	1
5	92-1948	Gear - Oil Pump	1	13	92-1928	Spring - Relief	1
6	92-1949	Gear - Oil Pump	1	14	92-1983	Retainer	1
7	92-1918	Bolt - Flange Head	1	15	92-2150	Ring - Snap	1
8	92-1974	Assembly - Case (Incl. Ref.#11-15)	1	16	92-1941	Gasket - Oil	1

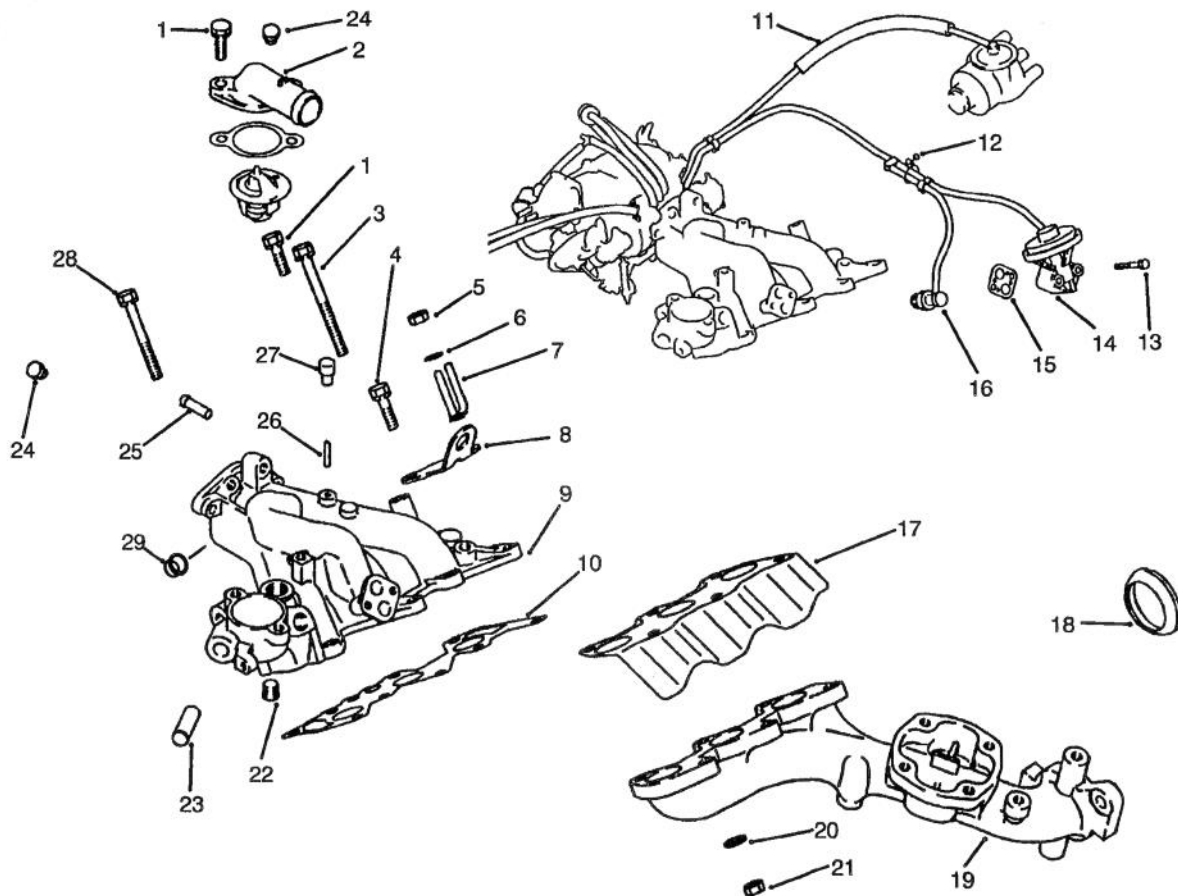


T-1639

WATER PUMP & THERMOSTAT ASSEMBLY

Ref. No.	Part No.	Description	No. Used
1	92-2041	V-Belt	1
2	92-5112	Bolt - Flange Head	4
3	92-2040	Pulley	1
4	92-2142	Bolt/washer	3
5	92-2060	Assembly - Water Pump (Incl. Ref.#6)	1
6	92-1989	Gasket	1
7	92-1950	Gasket	1
8	92-2039	Kit - Thermostat (Incl. Ref.#7)	1
9	92-5160	Valve - Thermostat	1
10	92-5161	Gasket	1

Ref. No.	Part No.	Description	No. Used
11	92-1933	Gauge - Water Temperature	1
12	54-1400	Clip	4
13	92-1924	Hose - Water By-Pass	1
14	92-2009	Hose - By-Pass	1
15	92-2024	Pipe - Water	1
16	92-2132	Bolt	1
17	92-1908	O-Ring	1
18	92-2008	Cover	1
19	92-2138	Bolt	2
20	42-9400	Bolt	2
21	92-2155	Gasket - Water Inlet	1

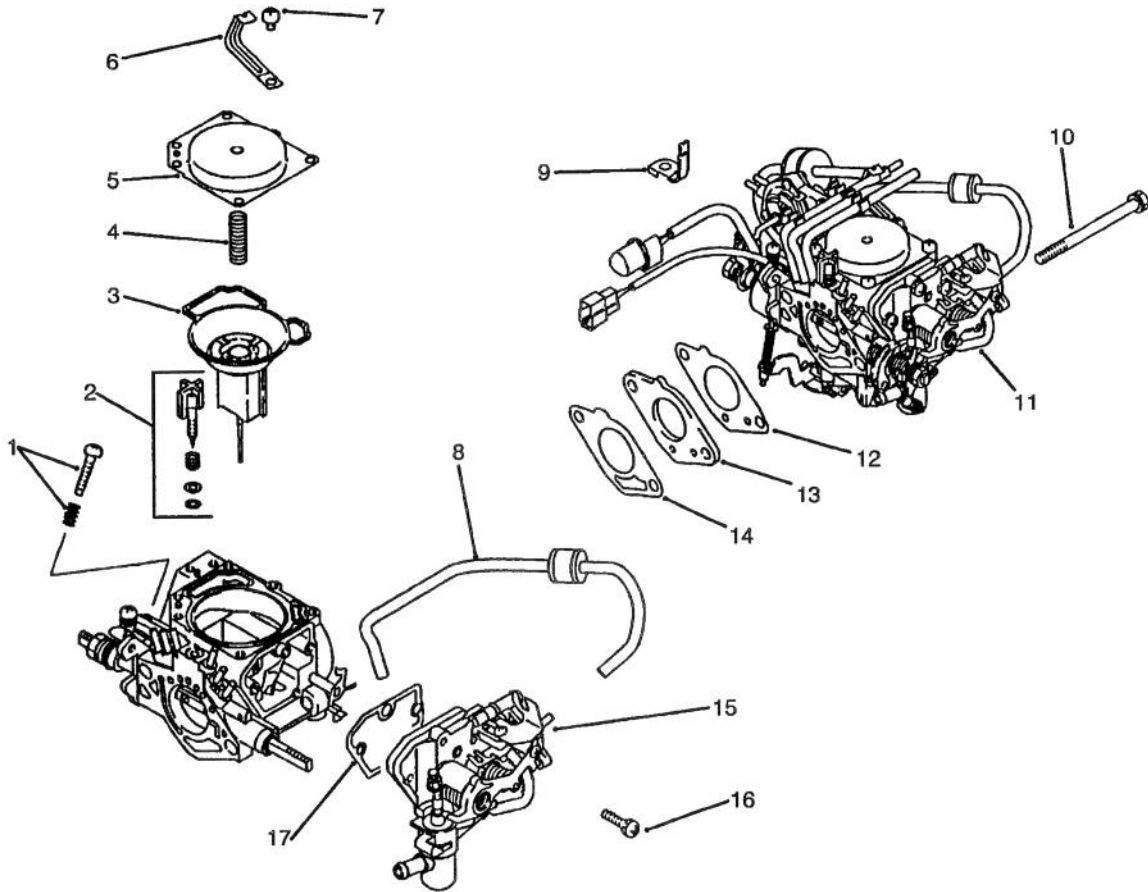


T-1640

EXHAUST & INTAKE MANIFOLD ASSEMBLY

Ref. No.	Part No.	Description	No. Used
1	92-2138	Bolt	3
2	92-2157	Outlet - Water	1
3	92-2141	Bolt	2
4	92-2139	Bolt	1
5	67-4670	Nut	2
6	67-3260	Washer	2
7	92-1901	Clip	1
8	92-1963	Mount - Engine	1
9	92-2054	Manifold - Intake (Incl. Ref.#22, 23, 25 & 26)	1
10	92-1993	Gasket - Intake	1
11	92-5164	Assembly - Hose	1
12	92-5165	Clip	1
13	92-5166	Bolt	2
14	92-2016	Valve - EGR	1

Ref. No.	Part No.	Description	No. Used
15	92-5163	Gasket - EGR Valve	1
16	92-1906	Assembly - Valve	1
17	92-2036	Cover - Exhaust Manifold	1
18	92-2044	Gasket - Exhaust Ring	1
19	92-2023	Manifold - Exhaust	1
20	48-8030	Washer	6
21	48-7930	Nut	6
22	67-2390	Plug - Taper	1
23	92-1912	Pipe - Manifold	1
24	92-5162	Plug - Inlet	2
25	92-1917	Nipple	1
26	92-1951	Nipple	1
27	92-2002	Cap Inlet	1
28	92-2140	Bolt	1
29	92-2151	Cap - Plug	1

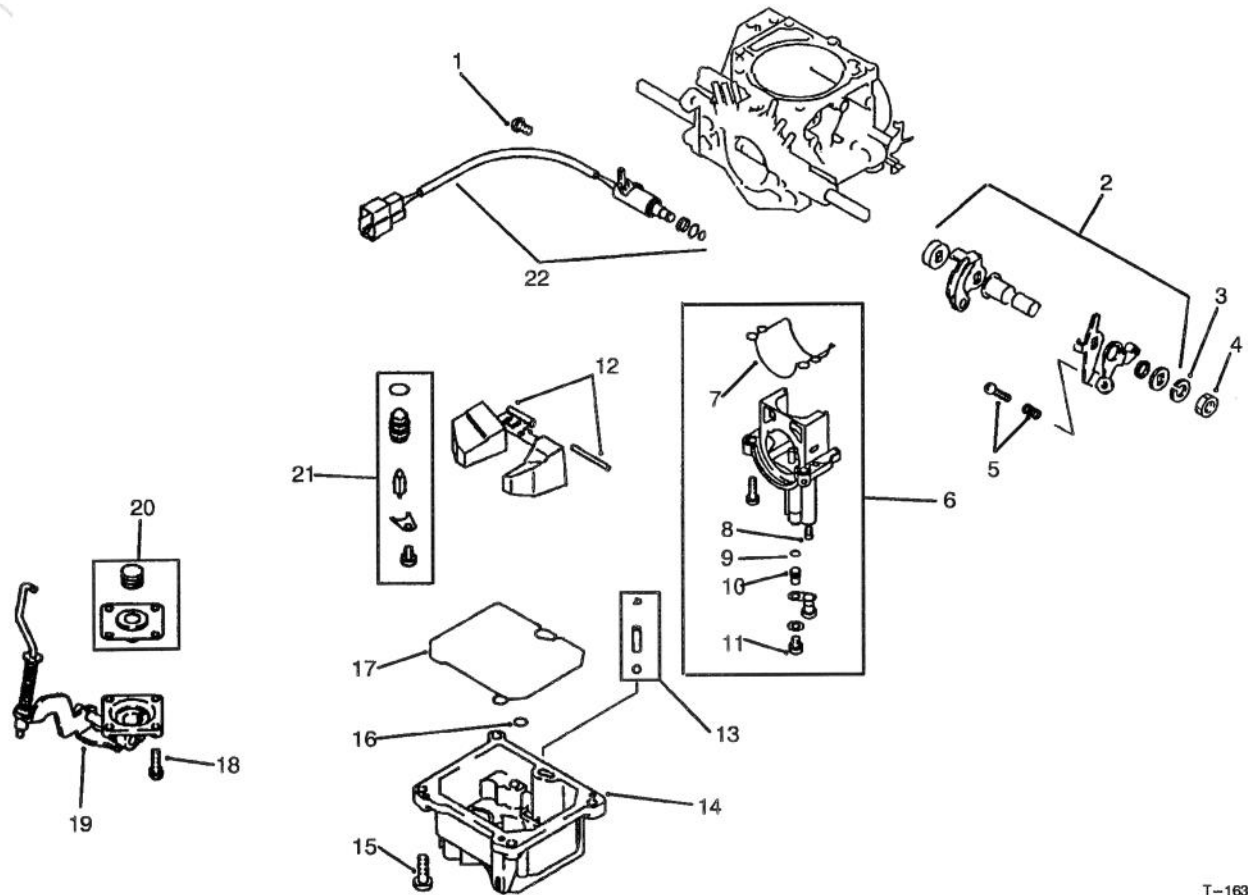


T-1637

CARBURETOR INSTALLATION ASSEMBLY

Ref. No.	Part No.	Description	No. Used
1	92-5136	Kit - Adjusting Screw	1
2	92-2111	Kit - Mixing Screw	1
3	92-5142	Valve - Carburetor Piston	1
4	92-5137	Spring	1
5	92-5126	Cover - Carburetor Top	1
6	92-5156	Clamp - Carburetor INR	1
7	92-5145	Screw	6
8	92-5134	Orifice - Choke	1
9	92-5155	Clamp - Carburetor	1

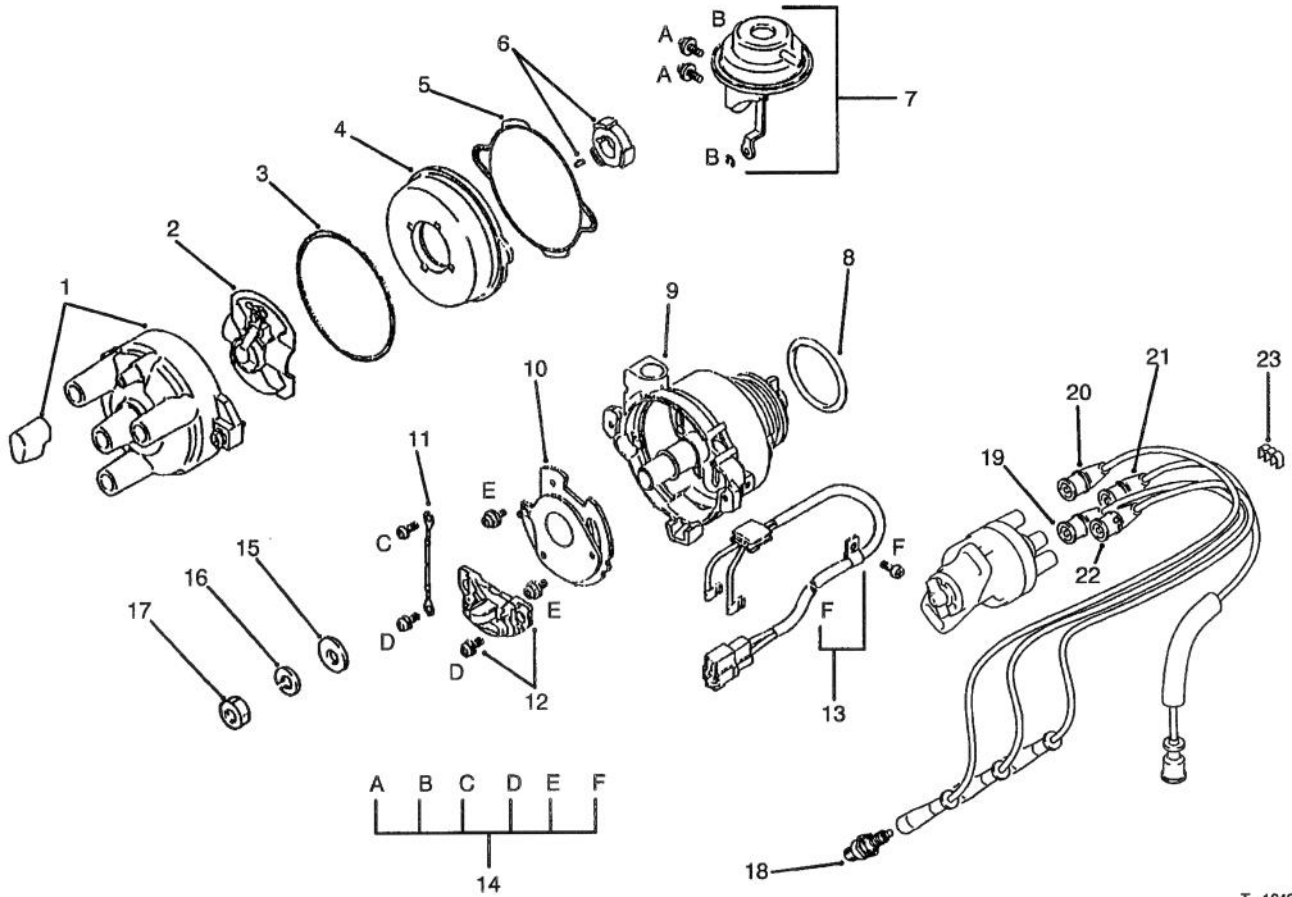
Ref. No.	Part No.	Description	No. Used
10	92-5157	Bolt	2
11	92-2058	Carburetor	1
12	92-2038	Kit - Gasket	1
13	92-5128	Insulator - Carburetor	1
14	92-2037	Kit - Gasket	1
15	92-5124	Body - Choke, Auto	1
16	92-5149	Screw	1
17	92-5143	Gasket - Choke, Auto	1



T-1638

CARBURETOR ASSEMBLY

Ref. No.	Part No.	Description	No. Used	Ref. No.	Part No.	Description	No. Used
1	92-5148	Screw	1	12	92-5127	Kit - Float & Pin	1
2	92-5133	Kit - Lever, Throttle	1	13	92-5125	Kit - Check Valve	1
3	67-3260	Washer	1	14	92-5144	Cover - Float Chamber	1
4	92-5154	Nut - Carburetor, INR	1	15	92-5147	Screw	4
5	92-5135	Kit - Screw Adjusting, Idle	1	16	92-5151	O-Ring	1
6	92-5132	Kit - Holder, Main Jet (Incl. Ref.#7-11)	1	17	92-5153	O-Ring	1
7	92-5152	O-Ring	1	18	92-5146	Screw	4
8	92-5129	Jet - Pilot	1	19	92-2110	Cover - Acc. Pump	1
9	92-5150	O-Ring	1	20	92-2154	Kit - Diaphragm	1
10	92-5130	Jet - Main	1	21	92-5140	Kit - Needle Valve	1
11	92-5131	Jet - Power	1	22	92-5141	Valve - Fuel Cut-Off	1



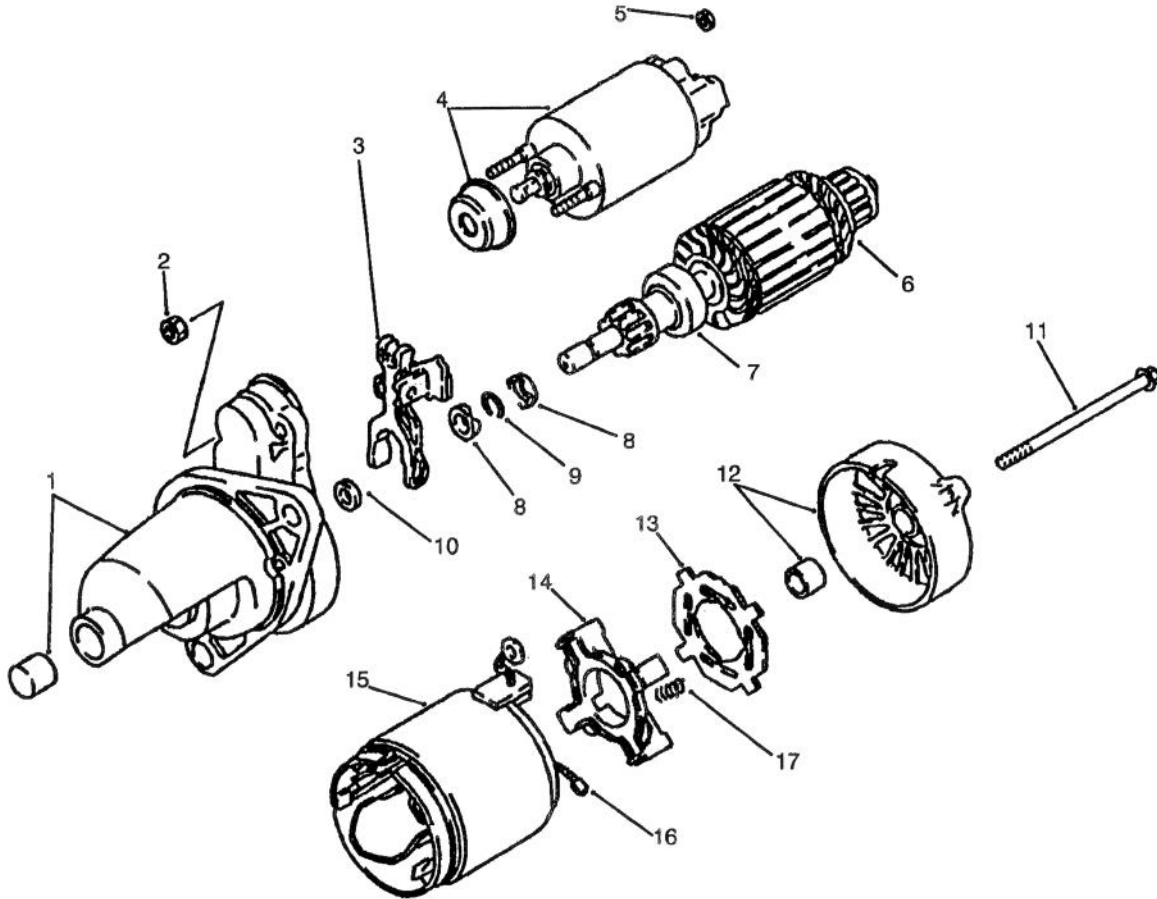
T-1643

DISTRIBUTOR ASSEMBLY

Ref. No.	Part No.	Description	No. Used
1	92-2114	Assembly - Cap	1
2	92-2113	Rotor	1
3	92-2120	Gasket	1
4	92-5170	Cover	1
5	92-5171	Gasket - Cover	1
6	92-2116	Assembly - Signal Rotor	1
7	92-2117	Chamber - Vacuum	1
8	92-2109	O-Ring	1
9	92-2122	Housing	1
10	92-2118	Plate	1
11	92-2119	Wire - Lead	1
12	92-2108	Igniter Set	1
13	92-2121	Wire Assembly - Lead	1
14	92-2115	Screw Set	1

Ref. No.	Part No.	Description	No. Used
15	92-2146	Washer	1
16	67-3260	Washer	1
17	67-4670	Nut	1
18	92-2153	Plug - Spark	3
19	92-2030	Wire - Spark Plug, #2	1
20	92-2029	Wire - Spark Plug, #1	1
21	92-2028	Wire - High Tension	1
22	92-2031	Wire - Spark Plug, #3	1
23	92-5172	Clamp	1
*	92-2043	Assembly - Distributor (Incl. Ref.#1-14)	1
*	92-2125	Assy. - Spark Plug Wire Set (Incl. Ref.#19-22)	1

*Not Illustrated



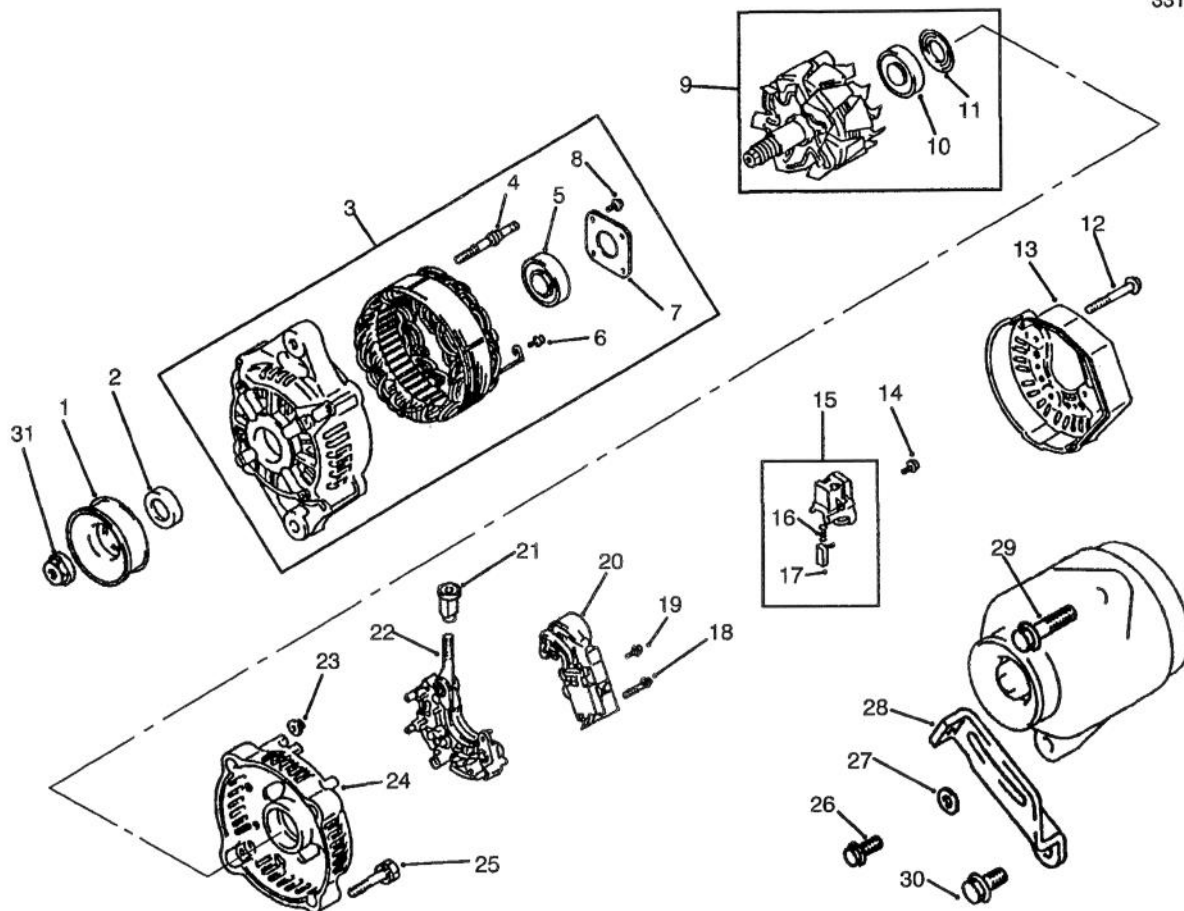
T-1641

STARTER ASSEMBLY

Ref. No.	Part No.	Description	No. Used
1	92-5167	Bracket - Front	1
2	92-2106	Nut	2
3	92-2102	Lever - Clutch	1
4	92-2095	Kit - Switch	1
5	92-2107	Nut	1
6	92-2093	Armature	1
7	92-2094	Clutch	1
8	92-2097	Nut	2
9	92-2096	Ring - Snap	1
10	92-2098	Washer	1

Ref. No.	Part No.	Description	No. Used
11	92-2099	Bolt	2
12	92-5168	Bracket - Rear	1
13	92-2092	Insulator	1
14	92-2091	Assembly - Holder	1
15	92-2088	Yoke (Incl. Ref.#16)	1
16	92-2089	Brush	4
17	92-2090	Spring	4
*	92-2055	Assembly - Starter (Incl. Ref.#1-17)	1

*Not Illustrated

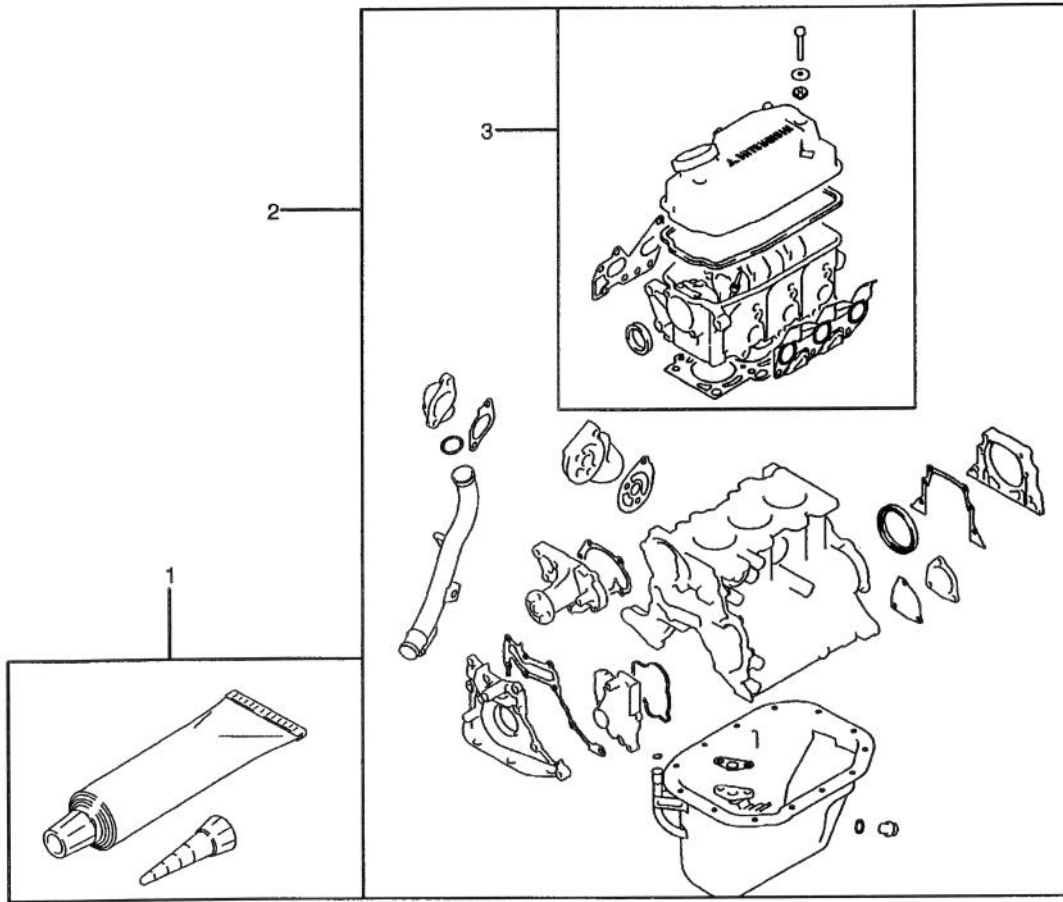


T-1642

ALTERNATOR ASSEMBLY

Ref. No.	Part No.	Description	No. Used	Ref. No.	Part No.	Description	No. Used
1	92-5169	Pulley	1	16	92-2067	Spring - Brush	2
2	92-2079	Collar	1	17	92-2068	Brush	2
3	92-2103	Assembly - Bracket, Front (Incl. Ref.#4-8)	1	18	92-2071	Screw	2
4	92-2078	Bolt	2	19	92-2086	Screw W/washer	1
5	92-2065	Bearing	1	20	92-2084	Regulator	1
6	92-2085	Screw W/washer	6	21	92-2083	Bushing	1
7	92-2076	Plate	1	22	92-2082	Rectifier	1
8	92-2077	Screw	4	23	92-2066	Nut	2
9	92-2075	Assembly - Rotor (Incl. Ref.#10-11)	1	24	92-2080	Frame - End	1
10	92-2070	Bearing	1	25	92-2100	Bolt	2
11	92-2069	Cover - Bearing	1	26	92-2133	Bolt - Flange Head	1
12	92-2087	Bolt W/washer	3	27	92-1984	Washer	1
13	92-2081	Cover - End	1	28	92-2011	Brace	1
14	92-2085	Screw W/washer	6	29	92-1932	Bolt	1
15	92-2073	Assembly - Holder (Incl. Ref.#16-17)	1	30	92-2134	Bolt - Flange Head	1
				31	92-2156	Nut - Alternator	1
				*	92-2025	Assembly - Alternator (Incl. Ref.#1-25 & 31)	1

*Not Illustrated



T-1629

GASKET KIT

Ref. No.	Part No.	Description	No. Used
1	92-5100	Gasket - Liquid	1
2	92-2127	Kit - Overhaul Gasket	1

Ref. No.	Part No.	Description	No. Used
3	92-2126	Kit - Gasket, Upper	1

INTERNATIONAL DECAL CROSS REFERENCE

JAPANESE DECAL KIT NO. 93-8951

DESCRIPTION	LOCATION	PART NUMBER	
		ENGLISH	JAPANESE
DECAL LOAD RATING	UNDER RIGHT SIDE OF DASH	87-9990	94-1228
DECAL FUSE BLOCK	UNDER RIGHT SIDE OF DASH	87-6670	92-5374
DECAL SUPERVISOR	ON DASH	87-5910	92-5332
DECAL DASH (DIESEL)	ON DASH	87-9890	94-1227
DECAL DASH (GAS)	ON DASH	87-9880	94-1226
DECAL CAUTION FUEL	ON SKIRT	87-5930	92-5325
DECAL AXLE RANGE	ON CONSOLE	87-5960	92-5318
DECAL PTO	ON CONSOLE	87-5970	92-5360
DECAL DIFFERENTIAL LOCK	ON CONSOLE	87-6000	92-5311
DECAL REMOTE HYDRAULICS	ON CONSOLE	92-2609	92-5346
DECAL DUMP HYDRAULICS	ON CONSOLE	87-6010	92-5353
DECAL PARKING BRAKE	ON CONSOLE	87-6020	92-5304
DECAL QUICK REF. (DIESEL)	ON REAR OF SKIRT	87-9110	94-1206
DECAL QUICK REF. (GAS)	ON REAR OF SKIRT	87-9100	94-1218

DESCRIPTION	LOCATION	PART NUMBER	
		ENGLISH	JAPANESE
DECAL DANGER	ON FRONT OF SKIRT	87-5920	92-6408
DECAL ROLLOVER	ON ROPS	87-5940	92-5388
DECAL ROPS	ON ROPS	87-5980	92-5381
DECAL DANGER BED SUPPORT	ON LIFT CYLINDERS AND BED SUPPORT	87-7930	92-6415
DECAL WARNING SPRING LOADED	ON SPRING CRADLE	44-0760	92-6493
DECAL CAUTION HOT SURFACE	ON LEFT REAR FRAME RAIL	66-6840	92-6479
DECAL ATF	ON REAR AXLE TUBE	87-6060	92-5473
DECAL DANGER	ON REAR AXLE TUBE	87-5990	92-5367
DECAL GREASE DRIVE SHAFTS	ON REAR AXLE TUBE	87-9080	92-6444
DECAL WARNING	ON FAN SHROUD	76-8750	92-7240
DECAL WARNING ROTATING MEMBER	ON FAN SUPPORT	80-8040	83-6030
DECAL CAUTION	ON FAN SUPPORT	87-9420	93-3766
DECAL NO STEP	ON BATTERY COVER	36-3400	84-2780
DECAL STARTING FLUID (DIESEL)	IN FRONT OF RADIATOR	83-9150	84-6660

TORO PART NUMBER INDEX

Part No.	Description	Pg. No.	Ref. No.	Qty.	Part No.	Description	Pg. No.	Ref. No.	Qty.
111071	Bumper	14	4	2	28-8270	Seal Service Kit - End Plug	7	*	1
116749	Horn Assembly	1	21	1	28-8280	Seal Kit - Side Cover	6	14	1
146489	Rivet - Pop	1	28	8	28-8290	Seal Service Kit	7	*	1
5-3637	Washer - Flat	45	7	1	33-1300	Assembly - Element	47	5	1
18-1520	Filter - Fuel	46	5	1	33-1310	Baffle	47	8	1
18-1720	Joint - Ball	35	29	1	33-1330	Assembly - Nut	47	6	1
18-2830	Horn Switch Assembly	2	31	1	33-1340	Clamp Assembly	47	7	1
18-4260	Assy. - Screw/Lockwasher	6	9	2	33-1350	Band Assembly	47	3	2
18-4270	Clamp - Ball Return Guide	6	8	1	33-3090	Bushing - Flange	18	7	4
18-4340	Plug - Rack Piston End	6	6	1	36-3400	Decal - No Step	44	11	1
18-5160	Seal Kit - Pitman Shaft	7	*	1	39-7310	O-Ring	6	35	3
18-5170	Seal Kit - Valve Ring	7	*	1	39-7310	Seal - O-Ring	48	29	2
18-5180	Bearing Kit - Lower Thrust	7	*	1	39-7420	Washer - Lock	5	22	1
18-5190	Ball - Chrome Alloy	6	10	11	39-7420	Washer - Lock	6	42	1
18-5430	Plug - Expansion	36	28	1	39-7440	Nut - Lock	5	23	1
18-5440	Spacer	36	27	2	39-7440	Nut - Pitman Arm	6	41	1
18-5450	Bearing	36	17	2	42-3560	Screw - Shoulder	16	15	1
18-5520	Lever - Rocker	36	25	1	42-7160	Pin - Dowel	56	12	3
18-5530	Screw & Lockwasher	36	29	2	42-7860	Lock - Valve	58	26	12
18-5540	Retainer - Sleeve Stop	36	26	3	42-9400	Bolt	61	20	2
18-5580	Seal - Oil, Front	36	37	1	42-9400	Bolt/washer	60	2	8
18-5620	Screw	36	2	4	42-9530	Screw - Cap Hex. Hd.	39	10	25
18-5630	Washer - Lock	36	3	4	42-9530	Screw - Cap Hex. Hd.	12	18	9
18-5640	Ring - Retaining	36	6	2	42-9560	Stud	54	14	3
18-5660	Pin - Pivot, Flyweight	36	32	2	42-9580	Nut - Hex.	34	12	3
18-5670	Retainer - Pivot Pin	36	33	2	42-9850	Washer - Lock	12	17	12
18-5750	Pin	36	16	1	42-9850	Washer - Lock	42	21	3
18-5770	Washer - Lock	36	7	2	42-9850	Washer - Lock	39	32	42
18-5790	Gasket	36	5	1	43-0090	Screw - Cap Hex. Hd.	33	8	1
19-4050	Knob	44	10	2	43-1911	Fan	30	26	1
19-4050	Knob	30	33	3	43-1950	Valve	49	9	1
20-7150	Toggle Switch Assembly	3	62	1	43-4300	Trim	46	1	1
21-0360	Nut	9	6	1	43-4300	Trim	34	41	2
21-1830	Spring - Extension	8	30	1	43-5150	Piston	50	11	1
21-5640	Joint - Ball	35	9	2	43-6550	Ring - Retaining	5	10	2
21-7670	Case - Differential	20	27	1	43-6710	Shim - .003	20	14	A/R
21-7690	Gear - Pinion	20	6	2	43-6711	Shim - .005	20	*	A/R
21-7700	Shaft - Pinnion	20	25	1	43-6712	Shim - .010	20	*	A/R
21-7720	Washer - Thrust	20	4	2	43-6713	Shim - .030	20	*	A/R
21-7730	Washer - Thrust	20	7	2	43-6750	Cup - Bearing	20	10	1
21-7770	Screw - Cap Hex. Hd.	20	26	5	43-6760	Cone - Bearing	20	9	1
21-8090	Shim - .003	20	31	A/R	44-0760	Decal - Warning	18	33	2
21-8100	Shim - .005	20	*	A/R	44-2230	Disc - Rubber	32	4	2
21-8110	Shim - .010	20	*	A/R	46-8091	Screw - Hex. Flange Hd.	30	8	4
21-8120	Shim - .030	20	*	A/R	47-2964	Hose - Fuel	46	9	1
21-8270	Pin - Alignment	20	3	2	47-2964	Hose - Fuel	34	45	1
21-9260	Spacer	5	4	1	48-7560	Screw - Cap Hex. Hd.	33	9	3
22-8330	Plug	51	1	2	48-7560	Screw - Cap Hex. Hd.	39	24	1
22-8340	Spring	51	3	2	48-7610	Bolt - Hex. Head	55	8	2
22-8350	Ball	51	4	2	48-7610	Screw - Cap Hex. Hd.	12	27	4
22-8360	Pin - Cam	51	6	2	48-7650	Screw - Cap Hex. Hd.	46	3	2
22-8370	Seat - Check Valve	51	5	2	48-7700	Bolt	57	3	6
22-8380	Retainer - Spring	51	10	2	48-7700	Screw - Cap Hex. Hd.	42	9	3
22-8410	Spring	51	11	1	48-7730	Screw - Cap Hex. Hd.	39	18	5
22-8420	Spool	51	8	1	48-7740	Screw - Cap Hex. Hd.	5	15	4
22-8480	Ring - Retaining, Spool	51	13	1	48-7890	Nut - Hex.	34	8	1
22-8490	Ring - Retaining	51	14	1	48-7930	Nut	62	21	6
22-8500	O-Ring	51	9	2	48-7930	Nut - Hex.	39	2	1
23-3030	Spacer	51	12	1	48-8030	Washer	62	20	6
23-7270	Nut - Lug	23	1	10	48-8070	Washer - Flat	5	6	1
23-7270	Nut - Lug	27	18	10	48-9480	Screw - Cap Hex. Hd.	34	20	2
26-0071	Bumper	1	9	2	48-9520	Nut - Lock	26	28	2
27-2360	Ignition Switch Assembly	2	43	1	48-9520	Nut - Lock	37	50	3
27-6590	Spacer - Thick	32	7	4	49-7810	Nut - Lock	46	10	2
27-6600	Spacer - Thin	32	3	4	49-9150	Washer - Flat	16	2	1
28-8200	O-Ring	6	27	1	49-9150	Washer - Flat	15	36	1
28-8210	Bolt - Flange Hex. Hd.	6	17	4	52-2480	Spacer	34	24	2
28-8220	Nut - Lash Adjuster	6	16	1	52-2890	Bushing - Flange	8	24	2

*Not Illustrated

TORO PART NUMBER INDEX (Cont.)

Part No.	Description	Pg. No.	Ref. No.	Qty.	Part No.	Description	Pg. No.	Ref. No.	Qty.
54-0110	Element - Oil Filter	37	38	1	76-4430	Fitting - Fuel 90°	45	9	1
54-1400	Clip	61	12	4	76-8750	Plate - Warning	30	40	1
54-9180	Cross & Bearing Kit	21	2	2	76-9100	Spacer	33	13	2
55-7120	Switch - Brake Light	8	9	1	76-9100	Spacer - Hi-Lo Lever	15	35	1
55-7291	Battery	44	9	1	80-6990	Washer	27	39	4
56-0100	Plug - Taper	53	9	1	80-6990	Washer - Flat	37	49	3
56-2150	Screw - Cap Hex. Hd.	12	10	4	80-8040	Decal - Caution	32	1	1
56-7973	Clamp - Hydraulic Tube	48	17	4	84-1680	Ring - Retaining	50	7	1
57-6380	Screw - Cap Hex. Hd.	34	22	2	87-0150	Tower - Control Arm RH	18	9	1
57-6380	Screw - Cap Hex. Hd.	12	31	3	87-0160	Tower - Control Arm LH	18	*	1
58-4250	Magnet	30	31	2	87-0210	Arm - Control Lower RH	19	32	1
59-2290	Spacer	33	19	1	87-0220	Arm - Control Lower LH	19	*	1
60-6750	Screw - Cap Hex. Hd.	39	4	11	87-0650	Fuel Tank Assembly	45	2	1
62-5550	Decal - TORO	1	2	1	87-0660	Hose - Reservoir Rear	8	17	1
62-7650	Gasket - Sending Unit	45	3	1	87-0670	Hose - Reservoir Front	8	16	1
63-7640	Unit - Sending	45	4	1	87-0690	Spring - Compression	18	15	2
63-7790	Screw - Cap Hex. Hd.	34	57	1	87-0710	Hood	1	1	1
63-8140	Pulley	30	15	1	87-0710	Trim	14	24	1
63-8140	Pulley	35	19	1	87-0740	Key - Supervisor Switch	2	17	1
63-8360	Key - Ignition	2	10	1	87-1430	Joint - Upper Ball	19	35	2
63-9640	Hose - Fuel	45	12	2	87-1450	Bushing - Flange	19	4	8
65-5100	Handle	30	6	2	87-1470	Tie Rod End Assembly	23	20	2
65-5220	Screw - Hex. Socket Hd.	15	40	3	87-1480	Tie Rod End Assembly	23	27	2
65-5360	Spring - Extension	5	35	1	87-1490	Spring - Leaf	26	15	2
65-5390	Washer - Flat	34	39	4	87-1500	Steering Gear (Complete)	7	*	1
66-3160	Screw - Cap Hex. Hd.	12	1	2	87-1500	Steering Gear Assembly	5	20	1
66-3160	Screw - Cap Hex. Hd.	35	12	2	87-1510	Muffler & Tailpipe	34	53	1
66-3160	Screw - Cap Hex. Hd.	37	24	7	87-1680	Chamber - Air	34	3	1
66-3160	Screw - Cap Hex. Hd.	34	27	1	87-1720	Nut - Supervisor Switch	2	18	1
66-3160	Screw - Cap Hex. Hd.	34	40	5	87-1840	Drum - Brake	27	15	2
66-3160	Screw - Cap Hex. Hd.	34	58	1	87-1910	Pin - Alignment	12	11	2
66-3240	Cap - Radiator	30	5	1	87-1920	Seal - Shaft	12	6	2
66-6840	Decal - Caution	26	32	2	87-1960	Engine Assembly	34	9	1
67-2250	Bolt	53	11	8	87-1970	Bearing Matched Set	27	20	2
67-2360	Bushing	53	12	4	87-2040	Lever - Shift	15	16	1
67-2390	Plug - Taper	53	16	1	87-2080	Screw - Cap Hex. Hd.	23	3	10
67-2390	Plug - Taper	62	22	1	87-2080	Stud - Drive	27	12	10
67-2560	Bolt/washer	60	1	5	87-2100	Bearing - Release	12	23	1
67-3260	Washer	64	3	1	87-2110	Tail Light Assembly	52	10	1
67-3260	Washer	62	6	2	87-2120	Headlight Assembly	1	3	2
67-3260	Washer	65	16	1	87-2240	Housing - Axle	27	7	2
67-4330	Filter - Oil	60	9	1	87-2260	Boot - Shift Lower	15	28	1
67-4670	Nut	62	5	2	87-2280	Bearing	5	25	3
67-4670	Nut	65	17	1	87-2310	Clevis - Cable	37	36	3
68-9950	Spring - Extension	37	44	1	87-2310	Clevis - Cable	15	47	2
70-1480	Relay	34	16	1	87-2400	Lever - Throttle	35	22	1
70-2100	Assembly - Thrust Sleeve &	36	31	1	87-2420	Seal - Lower Ball	19	7	4
70-2120	Spacer	36	35	1	87-2440	Bumper	1	7	2
70-2140	Bearing - Front	36	36	1	87-2480	Link - Stabilizer	18	24	2
70-2150	Flyweight	36	9	2	87-2500	Sleeve - Spring Pivot	18	12	2
71-2690	Hose - Fuel	46	7	1	87-2510	Bracket - Seat Frame	14	11	2
71-3381	Tube - Overflow	30	3	2	87-2520	Tube - Pivot	15	21	1
71-4330	Seal - Oil	20	20	1	87-2540	Pedal - Brake	8	4	1
71-4340	Washer	20	17	1	87-2590	Shaft - Brake Pedal	8	46	1
71-4350	Nut - Lock	20	18	1	87-2610	Pin - Cotter	12	39	1
71-4780	Seal - Oil, Rocker Shaft	36	18	1	87-2640	Support - Master Cylinder	8	19	1
71-5320	Washer - Flat	16	18	1	87-2650	Gusset	8	21	1
72-4310	Switch - Ball N.C.	37	46	1	87-2660	Support - Pedal LH	8	18	1
72-5890	Shaft - Rocker	36	20	1	87-2670	Pedal - Accelerator	8	36	1
72-5910	Assembly - Bumper Screw	36	23	1	87-2710	Lever - Parking Brake	16	29	1
72-5940	Bearing - Needle	36	30	1	87-2720	Driveshaft	32	10	1
74-0720	Tube - Manual	14	1	1	87-2750	Spacer - Bearing	32	12	1
75-4701	Hose - Fuel	45	11	1	87-2760	Bracket - Ignition Coil	34	19	1
75-4701	Hose - Fuel	34	46	1	87-2880	Shaft - Accelerator Pedal	8	45	1
75-6820	Hourmeter	2	16	1	87-2890	Cradle - Reservoir	8	14	1
75-6880	Spark Arrestor (Optional)	34	51	1	87-2900	Spring - Compression	15	24	1
75-9610	Spacer	48	7	1	87-2910	Support - Pedal RH	8	3	1
76-2290	Spacer	16	37	1	87-3000	Rim - Rear 23	27	*	2

*Not Illustrated

TORO PART NUMBER INDEX (Cont.)

Part No.	Description	Pg. No.	Ref. No.	Qty.	Part No.	Description	Pg. No.	Ref. No.	Qty.
87-3030	Master Cylinder Assembly	8	35	1	87-3820	Wheel - Steering	5	7	1
87-3040	Brake Fluid Reservoir Assy.	8	11	1	87-3830	Brake Assembly RH	27	*	1
87-3060	Washer - Flat	27	25	2	87-3830	Rear Brake Assembly - RH	29	*	1
87-3060	Washer - Flat	23	35	2	87-3840	Brake Assembly LH	27	9	1
87-3070	Cable - Positive	34	10	1	87-3840	Rear Brake Assembly - LH	29	*	1
87-3080	Wire - Ground	34	25	1	87-3850	Bar - Anti-Sway	18	17	1
87-3110	Absorber - Shock	18	29	2	87-3860	Link - Anti-Sway Bar	18	5	2
87-3110	Shock Absorber	26	8	2	87-3890	Bracket - Anti-Sway Bar	18	18	2
87-3120	Steering Column & Shaft	5	*	1	87-3900	Bracket - Cable	35	26	1
87-3130	Lever - Tilt Steering	5	36	1	87-3910	Bushing - Anti-Sway Bar	18	19	2
87-3140	Support - Rear	45	15	1	87-3920	Bushing - Rubber	18	4	16
87-3150	Support - Front	45	18	1	87-3920	Bushing - Rubber	26	7	8
87-3160	Strap - Tank Support	45	20	2	87-3940	Mount - Spring RH	26	*	1
87-3170	Pad - Tank Support Strap	45	21	2	87-3960	Mount - Spring LH	26	18	1
87-3180	Cover - Clutch	57	2	1	87-3980	Shackle - Spring	26	11	4
87-3190	Disc - Clutch	57	1	1	87-3990	Oil Strainer Assembly	37	26	1
87-3200	Belt - V	35	25	1	87-4010	Clamp - Anti-Sway Bar	18	20	2
87-3210	Belt - V	32	14	1	87-4020	Spring - Extension	35	23	1
87-3250	Mount - Bearing	5	26	3	87-4030	Supervisor Switch Assembly	2	29	1
87-3270	Tube - Brake RH	26	3	1	87-4060	Spacer - Bearing	27	21	2
87-3280	Tube - Brake LH	26	22	1	87-4070	Bumper - Front	1	14	1
87-3290	Tire - Rear 23	27	*	2	87-4080	Tube - Brake LH	27	6	1
87-3300	Tire	23	34	2	87-4090	Tube - Brake RH	27	1	1
87-3310	Clip - Brake Cable	23	4	2	87-4100	Hose - Brake	27	3	2
87-3310	Clip - Brake Cable	27	8	2	87-4100	Hose - Brake	26	5	2
87-3370	Pulley	32	13	1	87-4210	Rod - Linkage	35	11	1
87-3390	Pulley	30	23	1	87-4230	Harness - Wire Front LH	2	41	1
87-3400	Wheel & Tire Assembly	23	*	2	87-4260	Shift Cable Assembly	38	51	2
87-3420	Hose - Air Cleaner	34	1	1	87-4340	Clamp - Cable	15	10	1
87-3430	Hose - Radiator Upper	30	29	1	87-4350	Lever - Hi-Lo	15	2	1
87-3430	Hose - Radiator Upper	34	29	1	87-4420	Hi-Lo Cable Assembly	38	52	1
87-3450	Plug	23	29	2	87-4440	Driveshaft	32	5	1
87-3460	Boot - Tilt Steering	5	2	1	87-4460	Differential Lock Cable	16	11	1
87-3470	Bumper - Spring	26	14	2	87-4470	Bracket	37	23	1
87-3480	Plate - Brake Equalizer	16	22	1	87-4490	Bracket - Hold-Down	48	22	1
87-3500	Hose - Air Cleaner	34	33	1	87-4500	Rod - Pivot	48	2	1
87-3520	Clevis	15	27	1	87-4510	Rod - Connecting	48	3	1
87-3530	Button - Shifter	15	29	1	87-4520	Bracket - Dump Valve	49	27	1
87-3540	Link - Shift	15	20	2	87-4560	Tube - Hydraulic	48	14	1
87-3560	Tee - Brake Line	10	18	1	87-4560	Tube - Hydraulic	49	33	1
87-3560	Tee - Brake Tube	26	23	1	87-4710	Spacer - Barking Brake	16	13	1
87-3570	Fitting - Union	10	6	2	87-4720	Plate - Steering Boot	5	3	1
87-3580	Retainer	26	4	2	87-4730	Guard - Belly	33	15	2
87-3580	Retainer	19	9	2	87-4750	Bracket - Governor	35	14	1
87-3580	Retainer	23	11	2	87-4760	Bushing	26	12	12
87-3580	Retainer - Brake Hose	27	2	2	87-4770	Bracket - High Idle Stop	35	4	1
87-3580	Retainer - Brake Hose	10	8	2	87-4790	Arm - Accelerator Pedal	8	38	1
87-3590	Seal - Bearing	27	22	2	87-4820	Bracket - Cable	37	27	1
87-3600	Spacer	18	3	10	87-4870	Hose - Hydraulic	49	4	1
87-3610	Bracket - Detent	5	34	1	87-4880	Hose - Hydraulic	49	3	1
87-3620	Shield - Heat	34	23	1	87-4900	Hose - Hydraulic	49	31	1
87-3650	Pin - Shift	15	18	1	87-4910	Hose - Hydraulic	49	13	1
87-3660	Spring - Compression	15	30	1	87-4920	Hose - Hydraulic	37	41	1
87-3670	Hose - Hydraulic	49	21	1	87-4960	Clamp - Cable	15	42	1
87-3670	Hose - Hydraulic	38	54	1	87-4970	Engine Mount Assembly	19	17	4
87-3680	Assembly - Relief Valve	48	*	1	87-4970	Engine Mount Assembly	33	3	2
87-3700	Screw - Cap Hex. Hd.	35	16	1	87-4970	Transaxle Mount Assembly	37	18	2
87-3700	Screw - Cap Hex. Hd.	33	20	3	87-5030	Lever - Differential Lock	16	3	1
87-3710	Overflow Reservoir Assy.	30	1	1	87-5050	Hose - Radiator Lower	30	10	1
87-3720	Retainer - Cylinder	49	17	2	87-5050	Hose - Radiator Lower	34	31	1
87-3730	Hose - Coolant	34	28	2	87-5060	Cushion - Seat Bottom	13	7	2
87-3740	Hose - Breather	34	7	1	87-5070	Pulley - Crankshaft	34	38	1
87-3750	Cover - Steering Wheel	5	9	1	87-5080	Spacer - Connecting	48	25	1
87-3760	Plate - Shift Boot	13	14	1	87-5100	Washer	37	17	4
87-3770	Bushing - Sleeve	12	7	2	87-5100	Washer - Flat	33	4	4
87-3780	Box - Glove	2	3	1	87-5100	Washer - Snubbing	19	18	8
87-3790	Switch - Light	2	19	1	87-5110	Support - Lower	44	19	1
87-3800	Bracket - Seat Bottom	13	3	3	87-5120	Bracket - Battery Base	44	15	1

*Not Illustrated

TORO PART NUMBER INDEX (Cont.)

Part No.	Description	Pg. No.	Ref. No.	Qty.	Part No.	Description	Pg. No.	Ref. No.	Qty.
87-5130	Cover - Battery Base	44	12	1	87-7090	Assembly - Frame, R.O.P.S.	17	1	1
87-5140	Nut - Lock	48	8	1	87-7110	Assembly - Axle, Rear	27	5	1
87-5150	Screw - Cap Hex. Hd.	48	4	1	87-7150	Assembly - Cradle, Spring	18	13	2
87-5290	Shaft - Release	12	5	1	87-7160	Assembly - Clevis, Cable	15	7	1
87-5300	Fork - Clutch	12	20	1	87-7170	Bracket - Clutch Spring	37	45	1
87-5320	Guide - Release	12	22	1	87-7270	Washer - Flat	27	23	6
87-5330	Washer	18	2	8	87-7470	Plate - Clamp	26	16	2
87-5340	Seal Kit - Tie Rod End	23	*	4	87-7480	Washer - Flat	26	34	8
87-5350	Bracket - Switch	12	15	1	87-7480	Washer - Lock	5	37	3
87-5360	Lever	12	12	1	87-7570	Retainer - Reservoir	8	12	1
87-5370	Rear Tire & Wheel Assembly	28	*	2	87-7600	Rod - Battery Support	44	21	1
87-5490	Switch - Neutral	12	16	1	87-7610	Tab - Battery Support	44	3	1
87-5580	Fuel Gauge Assembly	2	15	1	87-7620	Shield - Plastic	44	14	1
87-5590	Temperature Gauge Assy.	2	8	1	87-7660	Clamp - Brake Line	10	2	8
87-5700	Hydraulic Pump Assembly	30	19	1	87-7930	Decal - Danger	14	6	1
87-5720	Rim	23	33	2	87-7930	Decal - Warning	49	32	2
87-5730	Hose - Hydraulic	37	4	1	87-7930	Decal - Warning	50	13	1
87-5770	U-Bracket - Tail Light	52	5	1	87-7940	Stud	14	8	1
87-5800	Bracket - Mount	37	21	2	87-7950	Bed Support Assembly	14	7	1
87-5910	Decal - Supervisor	3	55	1	87-7960	Lever - Shift Arm	37	48	2
87-5920	Decal - Danger	13	26	1	87-7970	Arm - Shift	37	15	1
87-5930	Decal - Caution	13	10	1	87-7990	Hydraulic Cylinder Assy.	49	16	2
87-5940	Decal - Rollover	17	2	1	87-8080	Console Plate Assembly	13	21	1
87-5960	Decal - Axle Range	13	11	1	87-8110	Lever Support Assembly	15	14	1
87-5970	Decal - PTO	13	16	1	87-8120	Bracket - Trim Side	1	11	2
87-5980	Decal - ROPS	17	3	2	87-8130	Bracket - Trim Top	1	19	1
87-5990	Decal - PTO	27	40	1	87-8160	Trim	1	20	1
87-6000	Decal - Differential Lock	13	17	1	87-8250	Plate - Shift Arm	37	10	1
87-6010	Decal - Dump Hydraulics	13	19	1	87-8440	Assembly - Rear Frame	26	2	1
87-6020	Decal - Parking Brake	13	20	1	87-8460	Bumper	12	34	1
87-6040	Bracket - Shifter	15	22	1	87-8480	Bracket - Clutch	12	43	1
87-6060	Decal - ATF	27	4	1	87-8500	Front Wire Harness Assy.	2	47	1
87-6170	Frame - Seat	14	14	1	87-8550	Control Panel Assembly	2	53	1
87-6240	Bracket - Seat Back	14	23	4	87-8620	Boot - Shift	13	13	1
87-6270	Socket & Bulb Assembly	3	60	4	87-8640	Washer - Flat	15	26	1
87-6280	Plate - Seat Back	14	18	2	87-8640	Washer - Flat	34	48	1
87-6290	Cushion - Seat Back	14	17	2	87-8700	Screw - Cap Hex. Hd.	27	37	4
87-6300	Lens	52	7	1	87-8710	Tab - Clutch	12	42	1
87-6310	Gasket	52	9	1	87-8720	Governor Assembly	35	24	1
87-6320	Bulb - Headlight	1	5	2	87-8780	Head - Oil Filter	37	43	1
87-6330	Lens - Headlight	1	6	2	87-8820	Hub - Pulley	36	38	1
87-6370	Rear Tire & Wheel Assembly	28	*	2	87-8830	Pulley	36	1	1
87-6490	Spring	36	13	1	87-9080	Decal - Grease	27	44	2
87-6510	Assembly - Shaft & Yoke	36	34	1	87-9100	Decal - Quick Reference	13	23	1
87-6520	Body	36	24	1	87-9120	Decal - Workman 4200	1	15	1
87-6530	Assembly - Throttle Lever	36	22	1	87-9160	Lower Shaft Assembly	5	*	1
87-6540	Bolt - Eye	36	21	1	87-9170	Brake Assembly RH	23	5	1
87-6550	Pin - Forced Idle	36	14	1	87-9170	Front Brake Assembly - RH	24	*	1
87-6560	Cover	36	4	1	87-9180	Brake Assembly LH	23	*	1
87-6570	Foam - Seal	15	38	1	87-9180	Front Brake Assembly - LH	24	*	1
87-6580	Stud - Lever Pivot	36	11	1	87-9190	Stub - Axle	23	31	2
87-6590	Assy. Lever & Fitting	36	10	1	87-9200	Bearing - Sealed	23	14	4
87-6620	Screw	1	10	15	87-9210	Spacer	23	30	2
87-6620	Screw - Torx Pan Hd.	12	40	2	87-9220	Plug - Seal	22	2	1
87-6640	Lever - Dump Stop	16	14	1	87-9300	Door - Clean Out	30	34	1
87-6660	Fender - Rear 24	52	17	2	87-9310	Hose - Air Cleaner	46	15	1
87-6670	Decal - Fuse Block	3	54	1	87-9320	Mudflap	1	26	2
87-6690	Guard - Induction Chamber	26	29	1	87-9330	Bracket - Mudflap LH	1	23	1
87-6710	Switch - Supervisor	37	33	1	87-9340	Bracket - Mudflap RH	1	*	1
87-6720	Knob	15	17	1	87-9360	Seal - Oil	22	13	1
87-6740	Tire - Rear 24	27	16	2	87-9370	Ring - Retaining	22	3	1
87-6750	Rim - Rear 24	27	19	2	87-9390	Cup	47	9	1
87-6890	Hold - Hand	13	1	1	87-9400	Valve	47	11	1
87-6910	Spring - Compression	37	13	1	87-9410	Air Cleaner (Complete)	47	*	1
87-6950	Receiver - LH	17	6	1	87-9410	Air Cleaner Assembly	46	17	1
87-6960	Receiver - RH	17	7	1	87-9420	Decal - Caution	30	35	1
87-7040	Bracket - Oil Filter	37	2	1	87-9480	Fender - Front	13	24	2
87-7050	Cap - Reservoir	30	43	1	87-9530	Transaxle Assembly	37	22	1

*Not Illustrated

TORO PART NUMBER INDEX (Cont.)

Part No.	Description	Pg. Ref. No. No. Qty.	Part No.	Description	Pg. Ref. No. No. Qty.
87-9600	Housing - Axle RH	23 28 1	92-0744	Washer	43 14 1
87-9620	Housing - Axle LH	23 * 1	92-0745	Gear - Side L.H.	43 24 1
87-9640	Arm - Pitman	5 21 1	92-0746	Gear - Side R.H.	43 11 1
87-9650	Cover - Steering Gear	14 27 1	92-0747	Washer - Thrust	43 10 2
87-9810	Foam - Overflow Tank	30 36 1	92-0748	Gear - Pinion	43 12 2
87-9830	Mount - Engine	33 7 1	92-0749	Shaft - Pinion	43 23 1
87-9840	Shaft - Clutch	22 1 1	92-0750	Washer	43 13 2
87-9880	Decal - Dash	3 56 1	92-0753	Ring - Retaining	41 2 1
92-0650	Bearing - Ball	41 22 1	92-0753	Ring - Retaining	43 21 1
92-0651	Case - Transaxle	39 19 1	92-0754	Ring - Retaining	41 20 1
92-0652	Cover - Upper	39 7 1	92-0755	Ring - Retaining	40 12 1
92-0653	Cover - Side	39 9 1	92-0756	Ring - Retaining	43 5 3
92-0654	Carrier - Differential	39 17 1	92-0759	Ring - Retaining	39 22 1
92-0655	Cover - Seal	39 30 1	92-0760	Ring - Retaining	39 15 1
92-0656	Cover - P.T.O.	39 1 1	92-0761	Ring - Retaining	42 18 1
92-0662	Cap - Oil	39 5 1	92-0762	Washer - Lock	39 3 1
92-0663	Shaft - Main	41 16 1	92-0763	Ring - Retaining	41 14 3
92-0664	Hub - Synchro	41 12 2	92-0764	Ring - Retaining	40 5 3
92-0665	Key - Synchro	41 23 6	92-0765	Pin - Alignment	39 8 4
92-0666	Spring - Synchro	41 13 4	92-0765	Pin - Alignment	43 9 2
92-0667	Ring - Synchro	41 6 3	92-0768	Pin - Spring	43 15 2
92-0668	Shifter - Synchro	41 7 2	92-0769	Pin - Spring	42 4 2
92-0672	Gear - 18T	41 19 1	92-0770	Pin - Spring	43 26 1
92-0673	Gear - 14T	41 21 1	92-0771	Pin - Spring	43 16 1
92-0674	Shaft - Reduction	41 28 1	92-0772	Key	41 17 2
92-0677	Gear - 49T	41 31 1	92-0773	Drain Plug Assembly	39 13 1
92-0679	Gear - 23T	41 25 1	92-0775	Bearing - Ball	43 6 2
92-0680	Collar	41 26 1	92-0775	Bearing - Ball	39 33 2
92-0681	Bearing - Needle	41 30 2	92-0776	Bearing - Ball	43 29 1
92-0682	Washer - Thrust	41 29 1	92-0778	Bearing - Ball	41 11 2
92-0684	Gear - 33T	41 10 1	92-0780	Bearing - Ball	43 3 1
92-0687	Gear - 16T	41 18 1	92-0781	Bearing - Needle	41 4 4
92-0698	Shaft - Fork R-1	42 14 1	92-0782	Bearing - Needle	41 33 1
92-0699	Shaft - Fork 2-3	42 7 1	92-0783	Sleeve - Inner	40 4 1
92-0700	Fork - Shift R-1	42 3 1	92-0785	Ball	42 1 3
92-0701	Fork - Shift 2-3	42 6 1	92-0787	O-Ring	39 12 1
92-0705	Lock - Spindle	42 20 1	92-0787	O-Ring	43 22 1
92-0706	Cap - Fork Shaft	39 25 1	92-0788	O-Ring	39 6 1
92-0708	Shaft - Fork Hi-Lo	42 16 1	92-0789	O-Ring	39 14 1
92-0709	Fork - Shift Hi-Lo	42 17 1	92-0790	O-Ring	39 29 1
92-0710	Counter Shaft Assembly	40 15 1	92-0791	Seal - Oil	39 26 1
92-0710	Ring Gear Assembly	43 8 1	92-0793	Seal - Oil	39 16 2
92-0711	Washer - Thrust	40 6 2	92-0793	Seal - Oil	43 32 2
92-0712	Bearing - Ball	40 1 1	92-0796	Screw - Cap Hex. Hd.	39 31 5
92-0713	Collar	40 13 1	92-0803	Screw - Hex. Flange Hd.	43 30 12
92-0714	Bearing - Ball	40 14 2	92-0804	Stud	39 28 1
92-0715	Gear - 49T	40 7 1	92-0807	Cap - Sealing	39 23 1
92-0716	Collar	40 3 1	92-0808	Shim Set	39 20 1
92-0717	Gear - 71T	40 10 1	92-0809	Shim Set	39 11 1
92-0718	Shifter - Hi-Lo	40 8 1	92-0816	Arm - Shift Fork R-1	42 15 1
92-0719	Collar - Spline	40 9 1	92-0817	Arm - Shift Fork 2-3	42 5 1
92-0720	Case - Differential	43 31 1	92-0818	Arm - Shift Fork Hi-Lo	42 19 1
92-0721	Fork - Differential Lock	43 17 1	92-0819	Gear - 40T	41 32 1
92-0722	Shaft - Lock Fork	43 18 1	92-0820	Gear - 27T	41 5 1
92-0723	Spring - Compression	43 19 1	92-0821	Gear - 24T	41 15 1
92-0724	Arm - Differential Lock	43 27 1	92-0822	Gear - 28T	41 24 1
92-0725	Shaft - Axle L.H.	43 28 1	92-0823	Gear - 43T	41 27 1
92-0726	Shaft - Axle R.H.	43 1 1	92-0824	Shaft - Reverse Idler	41 9 1
92-0727	Washer	43 4 2	92-1773	Screw - Cap Hex. Hd.	20 11 4
92-0728	Washer	43 2 1	92-1901	Clip	62 7 1
92-0729	Seal - Oil	42 10 3	92-1902	Plug - Taper	53 8 1
92-0730	Slider - Differential Lock	43 7 1	92-1903	Washer	54 17 8
92-0731	Spring - Compression	42 2 3	92-1905	Stud	54 20 6
92-0732	Plate - Keeper	42 8 3	92-1906	Assembly - Valve	62 16 1
92-0733	Washer	43 20 1	92-1907	Cover - Access	55 19 1
92-0740	Washer - Thrust	41 3 3	92-1908	O-Ring	61 17 1
92-0741	Washer - Thrust	40 11 1	92-1909	Nut	58 16 6
92-0743	Breather - Air	39 27 1	92-1910	Plug - Taper	53 10 1

*Not Illustrated

TORO PART NUMBER INDEX (Cont.)

Part No.	Description	Pg. Ref.		Part No.	Description	Pg. Ref.			
		No.	Qty.			No.	Qty.		
92-1911	Guide - Exhaust Valve	54	18	1	92-1982	Bearing - Ring	53	7	1
92-1912	Pipe - Manifold	62	23	1	92-1983	Retainer	60	14	1
92-1914	Bearing - Ball	56	10	1	92-1984	Washer	67	27	1
92-1915	Clamp - Cable	54	8	1	92-1987	Gasket	53	25	1
92-1916	Plug - Taper	54	19	1	92-1988	Gasket - Oil	55	9	1
92-1917	Nipple	62	25	1	92-1989	Gasket	61	6	1
92-1918	Bolt - Flange Head	60	7	1	92-1991	Gasket	53	30	1
92-1920	Plug - Oil	55	14	1	92-1993	Gasket - Intake	62	10	1
92-1921	Gasket - Oil	55	13	1	92-1994	Cap - Sealing	53	4	1
92-1922	Washer	58	9	1	92-1995	Assembly - Crankshaft	56	7	1
92-1923	Nut	56	5	6	92-1996	Assembly - Cover, Front	55	18	1
92-1924	Hose - Water By-Pass	61	13	1	92-1997	Gasket - Cylinder	54	23	1
92-1925	O-Ring	53	31	1	92-1998	Shaft - Balancer	59	1	1
92-1926	Guide - Intake Valve	54	15	3	92-1999	Rod - Connecting	56	4	3
92-1927	Plunger - Relief	60	12	1	92-2000	Sprocket	58	10	1
92-1928	Spring - Relief	60	13	1	92-2001	Spring	58	7	1
92-1929	Seal - Oil	54	7	2	92-2002	Cap Inlet	62	27	1
92-1930	Washer - Wave	58	19	2	92-2003	Bolt - Connecting Rod	56	3	6
92-1931	Retainer	58	27	6	92-2005	Piston & Pin (Std.)	56	2	3
92-1932	Bolt	67	29	1	92-2006	Assembly - Crankcase	53	1	1
92-1933	Gauge - Water Temperature	61	11	1	92-2007	Pump - Fuel	46	12	2
92-1934	Bolt - Flywheel	56	11	5	92-2008	Cover	61	18	1
92-1935	Plug - Taper	53	5	1	92-2009	Hose - By-Pass	61	14	1
92-1936	Seal - Valve	58	28	6	92-2010	Pin - Dowel	58	25	1
92-1937	Plate - Rear	55	6	1	92-2011	Brace	67	28	1
92-1938	Cover - Bell Housing	55	7	1	92-2012	Bracket - Oil Filter	53	23	1
92-1938	Cover - Bell Housing	12	29	1	92-2013	Piston & Pin	56	*	3
92-1939	Gasket	55	16	1	92-2014	Piston Ring Set (Std.)	56	1	1
92-1940	Gasket	55	17	1	92-2015	Piston Ring Set	56	*	1
92-1941	Gasket - Oil	60	16	1	92-2016	Valve - EGR	62	14	1
92-1942	Gear - Ring	56	8	1	92-2017	Bolt - Rocker Shaft	58	21	2
92-1943	Packing	54	2	1	92-2018	Bolt - Rocker Shaft	58	22	2
92-1944	Gasket - Cover, Rocker	54	10	1	92-2019	Strainer - Oil	55	10	1
92-1945	Cover - Rear	53	29	1	92-2020	Assembly - Cover	54	9	1
92-1946	Gasket - Front	60	10	1	92-2021	Seal - Oil	54	12	1
92-1947	Arm - Rocker	58	18	6	92-2022	Mount - Engine	59	2	1
92-1948	Gear - Oil Pump	60	5	1	92-2023	Manifold - Exhaust	62	19	1
92-1949	Gear - Oil Pump	60	6	1	92-2024	Pipe - Water	61	15	1
92-1950	Gasket	61	7	1	92-2025	Assembly - Alternator	67	*	1
92-1951	Nipple	62	26	1	92-2026	Hose - PCV Valve	54	4	1
92-1952	Seal - Oil	53	27	1	92-2027	Coil - Ignition	34	14	1
92-1953	Screw - Adjusting	58	17	6	92-2028	Wire - High Tension	65	21	1
92-1954	Valve - Inlet	58	29	3	92-2029	Wire - Spark Plug, #1	65	20	1
92-1955	Valve - Exhaust	58	31	3	92-2030	Wire - Spark Plug, #2	65	19	1
92-1956	Bearing - Set, Main	53	17	1	92-2031	Wire - Spark Plug, #3	65	22	1
92-1957	Rod Bearing Set	56	6	1	92-2032	Seal - Oil	60	3	1
92-1958	Pin - Dowel	53	15	1	92-2034	Head - Cylinder	54	11	1
92-1959	Seat - Intake Valve	54	21	3	92-2035	Cover - Front	55	5	1
92-1960	Seal - Oil	60	11	1	92-2036	Cover - Exhaust Manifold	62	17	1
92-1961	Seal - Valve	58	13	6	92-2037	Kit - Gasket	63	14	1
92-1962	Gasket	55	3	1	92-2038	Kit - Gasket	63	12	1
92-1962	Gasket	55	20	1	92-2039	Kit - Thermostat	61	8	1
92-1963	Mount - Engine	62	8	1	92-2040	Pulley	61	3	1
92-1964	Plate - Cam	58	14	1	92-2041	V-Belt	61	1	1
92-1965	Assembly - Cover	55	2	1	92-2042	Sprocket - Oil	58	33	1
92-1966	Gasket	55	21	1	92-2043	Assembly - Distributor	65	*	1
92-1967	Assembly - Cover	55	15	1	92-2044	Gasket - Exhaust	34	54	1
92-1968	Tensioner - Belt	58	30	1	92-2044	Gasket - Exhaust Ring	62	18	1
92-1971	Bolt	54	16	8	92-2045	Housing - Seal, Oil	53	26	1
92-1972	Washer	58	20	2	92-2046	Assembly - Oil Pump	60	4	1
92-1973	Shaft - Rocker Arm	58	23	1	92-2049	Assembly - Camshaft	58	24	1
92-1974	Assembly - Case	60	8	1	92-2050	PCV Valve	54	3	1
92-1975	Cap - Oil	54	1	1	92-2053	Assembly - Oil Pan	55	11	1
92-1976	Seat - Exhaust Valve	54	22	3	92-2054	Manifold - Intake	62	9	1
92-1977	Spring - Valve	58	12	6	92-2055	Assembly - Starter	66	*	1
92-1978	Switch - Oil Pressure	59	4	1	92-2056	Flange - PTO	58	32	1
92-1980	Flywheel	56	9	1	92-2057	Bolt - Crankshaft PTO	56	14	1
92-1981	Bearing - Front	53	13	1	92-2058	Carburetor	63	11	1

*Not Illustrated

TORO PART NUMBER INDEX (Cont.)

Part No.	Description	Pg. No.	Ref. No.	Qty.	Part No.	Description	Pg. No.	Ref. No.	Qty.
92-2059	Belt - Timing	58	11	1	92-2134	Bolt - Flange Head	67	30	1
92-2060	Assembly - Water Pump	61	5	1	92-2135	Bolt - Flange Head	58	8	1
92-2061	Assembly - PTO Sprocket	58	3	1	92-2137	Bolt/washer	55	12	2
92-2062	Assembly - PTO Adapter	58	2	1	92-2138	Bolt	62	1	3
92-2063	Washer	54	6	2	92-2138	Bolt	61	19	2
92-2065	Bearing	67	5	1	92-2139	Bolt	62	4	1
92-2066	Nut	67	23	2	92-2140	Bolt	62	28	1
92-2067	Spring - Brush	67	16	2	92-2141	Bolt	62	3	2
92-2068	Brush	67	17	2	92-2142	Bolt/washer	61	4	3
92-2069	Cover - Bearing	67	11	1	92-2143	Bolt	53	22	3
92-2070	Bearing	67	10	1	92-2144	Bolt	53	20	2
92-2071	Screw	67	18	2	92-2145	Nut - Flange	58	5	1
92-2073	Assembly - Holder	67	15	1	92-2146	Washer	65	15	1
92-2075	Assembly - Rotor	67	9	1	92-2147	Washer	58	6	1
92-2076	Plate	67	7	1	92-2148	Pin - Dowel	53	6	2
92-2077	Screw	67	8	4	92-2148	Pin - Dowel	56	13	1
92-2078	Bolt	67	4	2	92-2149	Pin	58	1	2
92-2079	Collar	67	2	1	92-2150	Ring - Snap	60	15	1
92-2080	Frame - End	67	24	1	92-2151	Cap - Plug	62	29	1
92-2081	Cover - End	67	13	1	92-2151	Cap - Sealing	53	2	3
92-2082	Rectifier	67	22	1	92-2151	Cap - Sealing	54	13	1
92-2083	Bushing	67	21	1	92-2152	Bushing	53	3	4
92-2084	Regulator	67	20	1	92-2153	Plug - Spark	65	18	3
92-2085	Screw W/washer	67	6	6	92-2154	Kit - Diaphragm	64	20	1
92-2085	Screw W/washer	67	14	6	92-2155	Gasket - Water Inlet	61	21	1
92-2086	Screw W/washer	67	19	1	92-2156	Nut - Alternator	67	31	1
92-2087	Bolt W/washer	67	12	3	92-2157	Outlet - Water	62	2	1
92-2088	Yoke	66	15	1	92-2160	Cartridge - Relief Valve	48	12	1
92-2089	Brush	66	16	4	92-2161	Body - Relief Valve	48	28	1
92-2090	Spring	66	17	4	92-2162	Head	50	6	1
92-2091	Assembly - Holder	66	14	1	92-2163	Shaft	50	2	1
92-2092	Insulator	66	13	1	92-2165	Kit - Repair	50	*	1
92-2093	Armature	66	6	1	92-2173	Screw - Cap Socket Head	31	18	8
92-2094	Clutch	66	7	1	92-2174	Screw - Adjusting	31	22	1
92-2095	Kit - Switch	66	4	1	92-2175	Gear	31	11	2
92-2096	Ring - Snap	66	9	1	92-2176	Pin - Dowel	31	16	2
92-2097	Nut	66	8	2	92-2177	Pin - Shear	31	7	1
92-2098	Washer	66	10	1	92-2178	Ring - Crescent	31	4	4
92-2099	Bolt	66	11	2	92-2179	Key - Square	31	5	1
92-2100	Bolt	67	25	2	92-2180	Gasket - Copper	31	23	1
92-2102	Lever - Clutch	66	3	1	92-2181	Plate - Pressure	31	13	1
92-2103	Assembly - Bracket, Front	67	3	1	92-2182	Plate - Seal	31	9	1
92-2106	Nut	66	2	2	92-2183	Plate - Wear	31	10	1
92-2107	Nut	66	5	1	92-2184	Cap - Relief Valve	31	24	1
92-2108	Igniter Set	65	12	1	92-2185	Plug	31	19	1
92-2109	O-Ring	65	8	1	92-2186	Spacer	31	3	1
92-2110	Cover - Acc. Pump	64	19	1	92-2187	Housing - Gear, End	31	17	1
92-2111	Kit - Mixing Screw	63	2	1	92-2188	Stator	31	8	1
92-2113	Rotor	65	2	1	92-2189	Shaft - Drive	31	6	1
92-2114	Assembly - Cap	65	1	1	92-2190	Shaft - Idler	31	25	1
92-2115	Screw Set	65	14	1	92-2191	Bearing	31	27	1
92-2116	Assembly - Signal Rotor	65	6	1	92-2192	Bearing	31	12	4
92-2117	Chamber - Vacuum	65	7	1	92-2193	Ball	31	20	1
92-2118	Plate	65	10	1	92-2194	Spring	31	21	1
92-2119	Wire - Lead	65	11	1	92-2195	Seal - Oil	31	2	1
92-2120	Gasket	65	3	1	92-2196	Seal - Pressure Plate	31	15	1
92-2121	Wire Assembly - Lead	65	13	1	92-2197	Seal - Back Up	31	14	1
92-2122	Housing	65	9	1	92-2198	Seal	31	26	1
92-2125	Assy. - Spark Plug Wire Set	65	*	1	92-2199	Key - Ball	31	28	1
92-2126	Kit - Gasket, Upper	68	3	1	92-2379	Clamp - Hose	30	4	3
92-2127	Kit - Overhaul Gasket	68	2	1	92-2379	Clamp - Hose	46	6	2
92-2128	Bolt - Cover	54	5	2	92-2379	Clamp - Hose	45	13	1
92-2129	Screw - Cap Hex. Hd.	12	30	2	92-2609	Decal - Remote Hydraulics	13	18	1
92-2130	Bolt - Flange Head	58	15	2	92-2697	Hose - Hydraulic	49	1	1
92-2131	Bolt - Flange Head	55	4	2	92-4100	Backplate Assembly RH	24	*	1
92-2131	Bolt - Flange Head	53	28	7	92-4101	Primary Piston Assembly	9	11	1
92-2132	Bolt	61	16	1	92-4102	Secondary Piston Assembly	9	4	1
92-2133	Bolt - Flange Head	67	26	1	92-4103	Pin - Stop	9	3	1

*Not Illustrated

TORO PART NUMBER INDEX (Cont.)

Part No.	Description	Pg. No.	Ref. No.	Qty.	Part No.	Description	Pg. No.	Ref. No.	Qty.
92-4104	Adaptor - Pipe Fitting	9	1	2	92-4170	Bearing - Pitman Shaft	6	47	1
92-4106	Rod - Push	9	8	1	92-4177	Yoke - Double Clamp	27	34	2
92-4107	Dust Cover	9	7	1	92-4179	Yoke, Shaft & Seal Tube	27	33	2
92-4108	Washer - Retainer	9	10	1	92-4180	Seal	27	32	2
92-4109	Circlip	9	9	1	92-4182	Yoke & Hub	27	31	2
92-4110	Clevis	9	5	1	92-4187	Cross & Bearing Kit	27	30	4
92-4111	Petcock - Radiator	30	42	1	92-4188	Ring - Snap	27	28	12
92-4112	Assembly - Cap	8	5	1	92-4189	Strap & Bolt Kit	27	36	4
92-4113	Screw - Bleed	24	4	1	92-4190	Yoke - End	27	29	2
92-4114	Cap - Bleed Screw	24	5	1	92-4193	Yoke - Flange	21	1	1
92-4114	Cap - Bleed Screw	29	5	1	92-4194	Yoke - Tube	21	3	1
92-4117	Assy. - Wheel Cylinder LH	24	*	1	92-4195	Slip Yoke Assembly	21	4	1
92-4118	Assy. - Wheel Cylinder RH	24	*	1	92-4196	Seal	21	6	1
92-4119	Kit - Seal	24	*	1	92-4198	Fan Shroud Assembly	30	13	1
92-4120	Shoe & Lining Set	24	13	1	92-4199	Skirt Assembly	13	2	1
92-4121	Assembly - Adjuster LH	24	*	1	92-5100	Gasket - Liquid	68	1	1
92-4122	Assembly - Adjuster RH	24	*	1	92-5101	Seat - Exhaust Valve	54	*	3
92-4123	Assembly - Pawl LH	24	19	1	92-5102	Seat - Intake Valve	54	*	3
92-4123	Assembly - Pawl LH	29	19	1	92-5103	Guide - Intake Valve	54	*	3
92-4124	Assembly - Pawl RH	24	*	1	92-5104	Guide - Intake Valve	54	*	3
92-4124	Assembly - Pawl RH	29	*	1	92-5105	Guide - Exhaust Valve	54	*	1
92-4125	Plug	24	3	1	92-5106	Guide - Exhaust Valve	54	*	1
92-4126	Spring - Shoe, Upper LH	24	14	1	92-5107	Stud	53	14	1
92-4127	Spring - Shoe, Upper RH	24	*	1	92-5108	Gasket - Bracket	53	24	1
92-4128	Spring - Shoe, Lower	24	15	1	92-5109	Stay - Oil Filter	53	21	1
92-4129	Spring - Adjuster, LH	24	20	1	92-5110	Gauge - Oil Level	53	19	1
92-4130	Spring - Adjuster, RH	24	*	1	92-5111	Guide - Oil Level Gauge	53	32	1
92-4131	Washer - Hold Down	24	22	2	92-5112	Bolt - Flange Head	53	18	1
92-4131	Washer - Hold Down	29	22	2	92-5112	Bolt - Flange Head	61	2	4
92-4132	Spring - Hold Down	24	23	2	92-5113	Bolt - Flange Head	55	1	3
92-4133	Pin - Hold Down	24	26	2	92-5114	Piston & Pin	56	*	3
92-4133	Pin - Hold Down	29	26	2	92-5116	Piston & Pin	56	*	3
92-4134	Plug - Inspection	24	25	1	92-5117	Piston & Pin	56	*	3
92-4134	Plug - Inspection	29	25	1	92-5118	Piston Ring Set	56	*	1
92-4135	Set Bolt	24	1	2	92-5120	Piston Ring Set	56	*	1
92-4135	Set Bolt	29	1	2	92-5121	Piston Ring Set	56	*	1
92-4136	Backplate Assembly LH	24	2	1	92-5122	Nut - Timing Belt	58	4	1
92-4137	Screw - Bleed	29	4	1	92-5123	Bolt - Engine Mount	59	3	3
92-4138	Backplate Assembly LH	29	2	1	92-5124	Body - Choke, Auto	63	15	1
92-4139	Backplate Assembly RH	29	*	1	92-5125	Kit - Check Valve	64	13	1
92-4140	Assy. - Wheel Cylinder LH	29	*	1	92-5126	Cover - Carburetor Top	63	5	1
92-4141	Assy. - Wheel Cylinder RH	29	*	1	92-5127	Kit - Float & Pin	64	12	1
92-4142	Seal Kit	29	*	1	92-5128	Insulator - Carburetor	63	13	1
92-4143	Shoe & Lining Set	29	13	1	92-5129	Jet - Pilot	64	8	1
92-4144	Assembly - Adjuster LH	29	*	1	92-5130	Jet - Main	64	10	1
92-4145	Assembly - Adjuster RH	29	*	1	92-5131	Jet - Power	64	11	1
92-4146	Plug	29	3	1	92-5132	Kit - Holder, Main Jet	64	6	1
92-4147	Spring - Shoe, Upper LH	29	14	1	92-5133	Kit - Lever, Throttle	64	2	1
92-4148	Spring - Shoe, Upper RH	29	*	1	92-5134	Orifice - Choke	63	8	1
92-4149	Spring - Shoe, Lower	29	15	1	92-5135	Kit - Screw Adjusting, Idle	64	5	1
92-4150	Spring - Adjuster, LH	29	20	1	92-5136	Kit - Adjusting Screw	63	1	1
92-4151	Spring - Adjuster, RH	29	*	1	92-5137	Spring	63	4	1
92-4152	Spring - Hold Down	29	23	2	92-5140	Kit - Needle Valve	64	21	1
92-4153	Assembly - Steering Column	5	11	1	92-5141	Valve - Fuel Cut-Off	64	22	1
92-4154	Universal Joint Assembly	5	31	1	92-5142	Valve - Carburetor Piston	63	3	1
92-4155	Slip Joint Assembly - Upper	5	28	1	92-5143	Gasket - Choke, Auto	63	17	1
92-4158	Valve Assy. - Hyd. Gear	7	*	1	92-5144	Cover - Float Chamber	64	14	1
92-4159	Nut - Adjuster Plug Lock	6	25	1	92-5145	Screw	63	7	6
92-4160	Bearing Service Kit - Upper	7	*	1	92-5146	Screw	64	18	4
92-4161	Assembly - Cover Service	6	*	1	92-5147	Screw	64	15	4
92-4162	Pitman Shaft - Gear Service	7	*	1	92-5148	Screw	64	1	1
92-4163	Assy. - Steering Housing	7	*	1	92-5149	Screw	63	16	1
92-4164	Plug Assy. - Service Adjust.	7	*	1	92-5150	O-Ring	64	9	1
92-4165	Plug - Housing End	6	2	1	92-5151	O-Ring	64	16	1
92-4166	Rack/Piston/Nut Assembly	7	*	1	92-5152	O-Ring	64	7	1
92-4167	Assembly - Plug Service	7	*	1	92-5153	O-Ring	64	17	1
92-4168	Return - Guide Ball	6	7	2	92-5154	Nut - Carburetor, INR	64	4	1
92-4169	Bearing - Needle	6	21	1	92-5155	Clamp - Carburetor	63	9	1

*Not Illustrated

TORO PART NUMBER INDEX (Cont.)

Part No.	Description	Pg. Ref.		Qty.	Part No.	Description	Pg. Ref.		Qty.
		No.	No.				No.	No.	
92-5156	Clamp - Carburetor INR	63	6	1	93-7124	Driveshaft Assembly	28	*	2
92-5157	Bolt	63	10	2	93-7128	Drum - Brake	23	32	2
92-5160	Valve - Thermostat	61	9	1	93-7129	Harness - Wire Rear	2	34	1
92-5161	Gasket	61	10	1	93-7133	Arm - Control Upper LH	19	*	1
92-5162	Plug - Inlet	62	24	2	93-7135	Arm - Control Upper RH	19	3	1
92-5163	Gasket - EGR Valve	62	15	1	93-7142	Decal - Load Rating	1	16	1
92-5164	Assembly - Hose	62	11	1	93-7145	Screw - Cap Hex. Hd.	5	19	3
92-5165	Clip	62	12	1	93-7149	Shield - Heat	34	56	1
92-5166	Bolt	62	13	2	93-8900	Carrier Assembly	20	15	1
92-5167	Bracket - Front	66	1	1	93-8901	Differential Case Assembly	20	*	1
92-5168	Bracket - Rear	66	12	1	93-8902	Spacer - Bearing	20	24	1
92-5169	Pulley	67	1	1	93-8903	Flange	20	19	1
92-5170	Cover	65	4	1	93-8904	Shim - .003	20	21	A/R
92-5171	Gasket - Cover	65	5	1	93-8905	Shim - .005	20	*	A/R
92-5172	Clamp	65	23	1	93-8906	Shim - .010	20	*	A/R
92-5180	Plate - Center	39	21	1	93-8907	Shim - .030	20	*	A/R
92-5183	Shaft - Front Drive	41	34	1	93-8908	Housing - Front	20	2	1
92-5184	Gear - 41T	41	35	1	93-8909	Screw - Cap Hex. Hd.	20	16	8
92-5185	Bearing - Ball	41	36	1	93-8910	Vent	20	1	1
92-5186	Gear - 43T	40	2	1	93-8911	Gear - Bevel Side	20	5	2
92-5951	Angle - Hitch	27	41	1	93-8916	Plug Assembly	20	12	2
92-5972	Grommet	14	5	4	93-8917	Bearing - Needle	20	34	2
93-3101	Cap - Fuel	45	1	1	93-8918	Seal - Oil	20	33	2
93-3618	Pinnion & Ring Gear Assy.	20	8	1	93-8919	Bearing - Thrust	22	10	1
93-7050	Radiator Assembly	30	30	1	93-8920	Housing & Race	22	5	1
93-7052	Joint - Ball	19	8	2	93-8921	Cage	22	12	1
93-7053	Warning Light Assembly	2	9	1	93-8922	Spring - Garter	22	6	1
93-7054	Front Differential Assembly	19	20	1	93-8923	Spring	22	11	1
93-7055	Turnbuckle	23	24	1	93-8924	Cam	22	8	1
93-7056	Rod - Tie RH	23	22	1	93-8925	Roller	22	7	6
93-7057	Rod - Tie LH	23	*	1	93-8929	Washer - Thrust	22	9	1
93-7058	Bracket - Brake Hose LH	23	*	1	93-8938	Bracket - Cover LH	30	44	1
93-7059	Hose - Brake Front	10	9	2	93-8939	Bracket - Cover RH	30	46	1
93-7059	Hose - Brake Front	23	13	2	93-8940	Cover - Radiator	30	45	1
93-7059	Hose - Brake Front	19	14	2	93-8941	Bracket - Front LH	52	15	1
93-7070	Bracket - Brake Hose	19	11	2	93-8942	Bracket - Front RH	52	*	1
93-7071	Bracket - Brake Hose RH	23	12	1	93-8943	Plate - Tail Light LH	52	12	1
93-7074	Mount - Differential Rear	19	21	1	93-8944	Plate - Tail Light RH	52	*	1
93-7078	Constant Velocity Joint Assy.	23	15	2	93-8981	Joint & Shaft - Outboard	25	5	1
93-7079	Tube - Brake LH	23	*	1	93-8982	Boot Kit - Outboard	25	1	1
93-7080	Tube - Brake RH	23	8	1	93-8983	Boot Kit - Inboard	25	2	1
93-7081	Tube - Brake Front RH	10	10	1	93-8984	Joint Assembly - Inboard	25	4	1
93-7082	Tube - Brake Front LH	10	16	1	93-8985	Clip - Circular	25	3	1
93-7083	Tube - Brake Front	10	1	1	93-8987	Slip Joint Assembly - Lower	5	29	1
93-7084	Tube - Brake Rear	10	5	1	93-8988	Boot - Steering Shaft	5	24	1
93-7085	Tube - Brake Front	10	19	1	218-446	Nut - Hex.	2	11	1
93-7086	Tube - Brake Rear	10	7	1	218-447	Washer - Lock	2	12	1
93-7087	Tube - Brake Rear	10	12	1	218-473	Boot - Switch	3	63	1
93-7088	Support - Fan	30	16	1	218-574	Fuse - 7.5 Amp	2	46	2
93-7090	Stub - Axle	27	14	2	218-578	Fuse - 10 Amp	3	61	1
93-7091	Clutch Cable Assembly	12	36	1	218-600	Bulb	2	13	2
93-7092	Hydraulic Tube Assembly	48	16	1	219-17	Bulb - Warning Light	3	59	4
93-7093	Hydraulic Tube Assembly	48	20	1	232-27	Valve - Stem	27	17	2
93-7094	Cover - Wire Harness	2	49	1	233-37	Knob	15	1	1
93-7095	Frame - Engine	33	17	1	233-39	Knob	48	1	1
93-7098	Accelerator Cable Assembly	35	1	1	233-39	Knob	5	1	1
93-7098	Cable - Accelerator	8	40	1	233-48	Knob	16	4	1
93-7103	Screen - Radiator	30	7	1	237-21	Seal - O-Ring	49	2	6
93-7105	Cable Assembly	15	15	2	237-22	Seal - O-Ring	49	5	3
93-7106	Hi-Lo Cable Assembly	15	6	1	237-22	Seal - O-Ring	48	9	4
93-7107	Cable - Parking Brake	16	24	2	237-30	Seal - O-Ring	37	34	2
93-7114	Operators Platform Assy.	1	17	1	237-42	O-Ring	51	2	2
93-7115	Bidirectional Clutch Assy.	22	*	1	237-42	Seal - O-Ring	49	7	2
93-7116	Differential Driveshaft Assy.	19	24	1	237-42	Seal - O-Ring	48	11	2
93-7116	Driveshaft Assembly	21	*	1	237-42	Seal - O-Ring	37	47	1
93-7117	Plate - Adaptor	22	14	1	237-78	Seal - O-Ring	49	15	4
93-7118	Bracket - Differential Front	19	27	1	237-79	Seal - O-Ring	20	13	2
93-7121	Housing - Bell	12	8	1	237-79	Seal - O-Ring	49	25	1

*Not Illustrated

TORO PART NUMBER INDEX (Cont.)

Part No.	Description	Pg. No.	Ref. No.	Qty.	Part No.	Description	Pg. No.	Ref. No.	Qty.
237-79	Seal - O-Ring	37	39	2	321-3	Screw - Cap Hex. Hd.	2	4	2
237-80	Seal - O-Ring	49	24	1	321-3	Screw - Cap Hex. Hd.	35	7	1
237-81	Seal - O-Ring	37	28	1	321-3	Screw - Cap Hex. Hd.	30	28	4
237-123	Seal - O-Ring	37	25	1	321-3	Screw - Cap Hex. Hd.	5	33	2
240-5	Grommet	12	32	1	321-4	Screw - Cap Hex. Hd.	33	1	2
240-6	Grommet	8	22	1	321-4	Screw - Cap Hex. Hd.	44	8	1
2410-35	Plug - Hole	2	6	1	321-4	Screw - Cap Hex. Hd.	13	9	8
2410-42	Cap - Front Bumper	1	12	2	321-4	Screw - Cap Hex. Hd.	30	12	4
2410-64	Plug - Hole	3	64	1	321-4	Screw - Cap Hex. Hd.	10	13	2
2411-33	Joint - Ball	12	3	1	321-4	Screw - Cap Hex. Hd.	34	15	1
2412-10	Clamp - R	19	13	2	321-4	Screw - Cap Hex. Hd.	1	24	4
2412-10	Clamp - R	14	26	1	321-4	Screw - Cap Hex. Hd.	12	26	1
2412-10	Clamp - R	34	43	1	321-4	Screw - Cap Hex. Hd.	35	30	2
2412-34	Clamp	49	22	1	321-4	Screw - Cap Hex. Hd.	2	33	1
2412-34	Clamp - Hose	30	9	2	321-4	Screw - Hex. Flange Hd.	26	26	4
2412-34	Clamp - Hose	34	30	2	321-6	Screw - Cap Hex. Hd.	52	3	16
2412-34	Clamp - Hose	38	53	1	321-6	Screw - Cap Hex. Hd.	19	10	2
2412-36	Clamp	45	8	2	321-9	Screw - Cap Hex. Hd.	10	3	4
2412-36	Clamp - Hose	37	3	3	321-9	Screw - Cap Hex. Hd.	48	5	2
2412-82	Clamp - R	33	10	1	321-9	Screw - Cap Hex. Hd.	16	27	1
2412-89	Clamp - R	33	2	2	321-14	Screw - Cap Hex. Hd.	49	8	2
2412-89	Clamp - R	44	5	1	321-15	Screw - Cap Hex. Hd.	48	13	1
2412-89	Clamp - R	12	25	1	322-2	Screw - Cap Hex. Hd.	8	2	12
2412-89	Clamp - R	2	32	1	322-2	Screw - Cap Hex. Hd.	10	11	1
2412-92	Clamp - Hose	34	2	1	322-2	Screw - Cap Hex. Hd.	46	16	4
2412-92	Clamp - Hose	46	14	2	322-2	Screw - Cap Hex. Hd.	5	16	6
2412-93	Clamp - R	52	2	1	322-2	Screw - Cap Hex. Hd.	14	20	12
2412-96	Clamp - R	46	4	1	322-2	Screw - Cap Hex. Hd.	30	39	6
2412-108	Clamp - Hose	46	8	2	322-2	Screw - Cap Hex. Hd.	34	42	1
2412-108	Clamp - Hose	45	10	1	322-2	Screw - Cap Hex. Hd.	2	50	3
2412-108	Clamp - Hose	34	47	2	322-3	Screw - Cap Hex. Hd.	49	20	4
2412-119	Clamp - Hose	34	6	3	322-5	Screw - Cap Hex. Hd.	32	2	4
2412-130	Clamp - Hose	47	10	1	322-5	Screw - Cap Hex. Hd.	13	6	8
2412-130	Clamp - Hose	34	32	2	322-5	Screw - Cap Hex. Hd.	8	13	1
2412-133	Clamp - R	14	3	2	322-5	Screw - Cap Hex. Hd.	52	19	4
2412-143	Clamp - Hose	8	15	2	322-5	Screw - Cap Hex. Hd.	30	22	4
2412-144	Clamp - Hose	8	34	2	322-5	Screw - Cap Hex. Hd.	48	24	1
2412-149	Clamp - Tube	26	24	5	322-5	Screw - Cap Hex. Hd.	19	30	2
2412-149	R-Clamp	10	14	2	322-6	Screw - Cap Hex. Hd.	34	4	2
251-8	Bearing - Ball	41	1	2	322-7	Screw - Cap Hex. Hd.	32	9	4
251-8	Bearing - Ball	22	4	2	322-12	Screw - Cap Hex. Hd.	15	25	1
251-82	Bearing - Ball	32	11	2	323-4	Screw - Cap Hex. Hd.	23	9	2
251-346	Bearing - Ball	41	8	2	323-4	Screw - Cap Hex. Hd.	45	16	2
253-987	Fitting - Hydraulic 90°	37	29	1	323-4	Screw - Cap Hex. Hd.	1	22	1
254-65	Cone - Bearing	20	29	2	323-6	Screw - Cap Hex. Hd.	16	1	1
254-66	Cup - Bearing	20	30	2	323-6	Screw - Cap Hex. Hd.	46	2	1
254-90	Cup - Bearing	20	23	1	323-6	Screw - Cap Hex. Hd.	23	6	8
256-257	Bushing - Flange	8	1	2	323-6	Screw - Cap Hex. Hd.	27	11	8
256-257	Bushing - Flange	12	38	2	323-6	Screw - Cap Hex. Hd.	14	12	2
264-91	Cone - Bearing	20	22	1	323-6	Screw - Cap Hex. Hd.	26	31	2
283-2	Pin - Clevis	8	29	1	323-6	Screw - Cap Hex. Hd.	15	37	1
283-14	Pin - Clevis	16	23	1	323-7	Screw - Cap Hex. Hd.	37	14	4
283-30	Pin - Clevis	12	35	1	323-7	Screw - Cap Hex. Hd.	19	23	4
283-30	Pin - Clevis	8	42	1	323-7	Screw - Cap Hex. Hd.	35	27	3
283-62	Pin - Clevis	16	6	1	323-7	Screw - Cap Hex. Hd.	8	31	2
283-62	Pin - Clevis	15	8	3	323-7	Screw - Cap Hex. Hd.	27	43	4
283-62	Pin - Clevis	37	35	3	323-9	Screw - Cap Hex. Hd.	44	16	1
283-85	Pin - Clevis	8	39	1	323-10	Screw - Cap Hex. Hd.	37	8	1
285-17	Plug - Pipe	36	15	2	323-12	Screw - Cap Hex. Hd.	18	6	8
302-5	Fitting - Grease	19	1	4	323-29	Screw - Cap Hex. Hd.	34	55	2
302-5	Fitting - Grease	23	26	2	324-5	Screw - Cap Hex. Hd.	19	28	3
302-5	Fitting - Grease	5	30	1	324-9	Screw - Cap Hex. Hd.	18	22	4
302-5	Fitting - Grease	27	35	4	324-10	Screw - Cap Hex. Hd.	18	1	4
302-11	Fitting - Grease	21	5	1	324-11	Screw - Cap Hex. Hd.	19	33	2
302-11	Fitting - Grease	18	8	1	324-12	Screw - Cap Hex. Hd.	19	19	4
302-58	Fitting - Grease	28	46	16	324-13	Screw - Cap Hex. Hd.	18	10	2
302-60	Fitting - Grease 90°	23	19	2	324-19	Screw - Cap Hex. Hd.	33	6	2
321-2	Screw - Cap Hex. Hd.	2	1	7	325-4	Screw - Cap Hex. Hd.	14	15	2

*Not Illustrated

TORO PART NUMBER INDEX (Cont.)

Part No.	Description	Pg. Ref.		Part No.	Description	Pg. Ref.	
		No.	Qty.			No.	Qty.
325-13	Screw - Cap Hex. Hd.	19	15 2	3253-21	Washer - Lock	19	22 4
325-13	Screw - Cap Hex. Hd.	18	27 4	3253-22	Washer - Lock	12	9 4
325-19	Screw - Cap Hex. Hd.	27	27 1	3253-22	Washer - Lock	35	17 1
325-20	Screw - Cap Hex. Hd.	27	24 5	3254-1	Washer - Lock	2	36 1
3210-9	Screw - Cap Hex. Hd.	35	6 1	3254-2	Washer - Lock	34	11 1
3211-8	Screw - Cap Hex. Hd.	15	13 2	3255-9	Washer - Lock ETLW	44	2 1
3215-1	Screw - Cap Hex. Hd.	37	16 1	3256-3	Washer - Flat	32	8 4
3217-25	Nut - Hex.	2	38 2	3256-4	Washer - Flat	37	12 1
3217-26	Nut - Hex.	2	37 1	3256-6	Washer - Flat	26	9 4
3217-29	Nut - Jam	3	58 3	3256-6	Washer - Flat	18	32 2
3218-18	Nut - Jam	15	43 1	3256-14	Washer - Flat	48	30 1
3218-20	Nut - Jam	12	14 2	3256-22	Washer - Flat	10	4 5
3218-21	Nut - Jam	23	21 2	3256-22	Washer - Flat	2	5 2
3219-2	Nut	36	19 2	3256-22	Washer - Flat	13	8 8
3219-14	Nut	15	5 1	3256-22	Washer - Flat	30	11 4
3219-14	Nut - Hex.	37	32 1	3256-22	Washer - Flat	52	11 19
3219-14	Nut - Jam	35	10 2	3256-22	Washer - Flat	48	18 3
3220-1	Nut - Jam	35	2 1	3256-22	Washer - Flat	14	19 12
3220-1	Nut - Jam	37	37 4	3256-22	Washer - Flat	12	41 2
3220-1	Nut - Jam	15	41 4	3256-23	Washer - Flat	13	4 4
3220-2	Nut - Jam	12	2 1	3256-23	Washer - Flat	34	5 2
3220-2	Nut - Jam	35	5 1	3256-23	Washer - Flat	52	20 4
3220-3	Nut - Jam	15	12 2	3256-23	Washer - Flat	16	21 1
3220-7	Nut - Jam	23	23 1	3256-23	Washer - Flat	48	26 2
3220-11	Nut - Jam	23	25 2	3256-24	Washer - Flat	23	10 2
3229-25	Screw - Carriage	49	19 2	3256-24	Washer - Flat	44	17 2
3230-18	Bolt - Carriage	14	2 8	3256-24	Washer - Flat	52	18 6
3230-23	Bolt - Carriage	44	6 4	3256-25	Washer - Flat	33	5 2
3230-23	Bolt - Carriage	30	21 7	3256-27	Washer - Flat	26	6 4
3231-3	Bolt - Carriage	18	21 4	3256-27	Washer - Flat	18	31 2
3231-21	Bolt - Carriage	44	7 6	3256-28	Washer - Flat	32	15 1
3231-21	Bolt - Carriage	48	21 1	3256-45	Washer - Flat	30	24 1
3231-21	Bolt - Carriage	14	22 4	3256-61	Washer - Flat	13	25 14
3231-21	Bolt - Carriage	15	32 4	3256-61	Washer - Flat	1	29 4
3231-26	Bolt - Carriage	35	15 1	3256-67	Washer - Flat	46	11 2
3231-28	Bolt - Carriage	30	17 1	3257-7	Key - Woodruff	32	17 1
3232-17	Bolt - Carriage	26	19 8	3258-19	Screw - Round Head	47	2 2
3234-1	Screw - Hex. Flange Hd.	1	13 6	3272-6	Pin - Cotter	15	3 3
3234-4	Screw - Hex. Flange Hd.	37	42 4	3272-6	Pin - Cotter	37	30 3
3234-11	Screw - Cap Hex. Hd.	33	14 6	3272-6	Pin - Cotter	8	37 1
3234-38	Screw - Cap Hex. Hd.	45	22 2	3272-10	Pin - Cotter	16	8 1
3234-38	Screw - Hex. Flange Hd.	26	17 22	3272-10	Pin - Cotter	19	34 2
3234-40	Screw - Hex. Flange Hd.	17	4 4	3272-10	Pin - Cotter	12	37 1
3250-13	Screw	2	51 2	3272-10	Pin - Cotter	8	43 1
3250-13	Screw - Hex. Hd.	13	15 20	3272-12	Pin - Cotter	23	16 2
3250-13	Screw - Pan Hd.	1	27 4	3272-37	Pin - Cotter	49	18 2
3250-20	Screw - Round Hd.	30	2 4	3274-31	Screw - Button Hd.	2	7 4
3253-3	Washer - Lock	35	8 1	3274-52	Screw - Hex. Socket Hd.	36	39 4
3253-3	Washer - Lock	55	22 2	3274-54	Screw - Hex. Socket Hd.	45	19 2
3253-3	Washer - Lock	30	27 4	3274-94	Screw - Socket Button Hd.	52	16 6
3253-3	Washer - Lock	12	28 4	3274-96	Screw	22	15 4
3253-3	Washer - Lock	34	37 1	3274-97	Screw - Hex. Socket Hd.	22	17 6
3253-4	Washer - Lock	57	4 6	3274-97	Screw - Socket Hex. Hd.	19	26 6
3253-4	Washer - Lock	13	5 8	3277-1	Nut - Hex.	5	5 1
3253-4	Washer - Lock	35	13 2	3290-221	Washer - Spring	15	34 1
3253-4	Washer - Lock	5	14 4	3290-221	Washer - Spring	16	36 2
3253-4	Washer - Lock	22	16 6	3290-271	Rivet - Pop	30	41 2
3253-6	Washer - Lock	23	2 10	3290-321	Screw - Hex. Flange Hd.	8	10 2
3253-6	Washer - Lock	34	21 2	3290-357	Nut - Flange	46	13 1
3253-6	Washer - Lock	19	29 3	3290-357	Nut - Flange	35	18 1
3253-6	Washer - Lock	27	45 10	3290-357	Nut - Flange	45	23 2
3253-15	Washer - Lock	45	5 5	3290-357	Nut - Flange Head	26	30 2
3253-15	Washer - Lock	2	39 2	3290-357	Nut - Flange Lock	44	1 6
3253-18	Washer - Lock	36	40 4	3290-357	Nut - Flange Lock	1	8 9
3253-19	Washer - Lock	3	57 3	3290-357	Nut - Flange Lock	14	10 4
3253-21	Washer - Lock	23	7 8	3290-357	Nut - Flange Lock	30	14 1
3253-21	Washer - Lock	27	10 8	3290-357	Nut - Flange Lock	18	16 4
3253-21	Washer - Lock	14	13 2	3290-357	Nut - Flange Lock	15	33 4

*Not Illustrated

TORO PART NUMBER INDEX (Cont.)

Part No.	Description	Pg. No.	Ref. No.	Qty.	Part No.	Description	Pg. No.	Ref. No.	Qty.
3290-357	Nut - Flange Lock	8	33	2	32121-48	Pin - Roll	15	23	1
3290-357	Nut - Flange Lock	34	50	2	32122-24	Screw - Round Hd	45	6	5
3290-413	Washer - Belleville	33	12	12	32128-20	Nut - Flange	10	17	1
3290-455	Washer	5	12	1	32128-20	Nut - Flange	46	18	4
3290-456	Washer - Belleville	15	46	2	32128-20	Nut - Flange	5	27	6
3290-477	Washer - Curved	16	28	1	32128-20	Nut - Flange	2	48	3
3290-478	Washer - Belleville	16	17	1	32128-20	Nut - Flange Head	49	11	4
3290-506	Palnut	52	4	2	32128-20	Nut - Flange Lock	8	7	13
3290-507	Pin - Dowel	15	31	1	32128-20	Nut - Flange Lock	44	18	2
3296-2	Nut - Lock	8	8	2	32128-20	Nut - Flange Lock	14	21	8
3296-2	Nut - Lock	13	22	20	32128-20	Nut - Flange Lock	34	44	1
3296-2	Nut - Lock	1	30	4	32128-20	Nut - Lock	19	12	2
3296-2	Nut - Lock	2	45	2	32128-20	Nut - Lock	14	25	4
3296-3	Nut - Lock	35	28	1	32128-20	Nut - Lock	30	37	6
3296-4	Nut - Lock	12	4	1	32128-21	Nut - Lock	37	11	1
3296-5	Nut - Flange Lock	30	25	1	32128-23	Nut - Flange	45	24	2
3296-5	Nut - Lock	36	12	1	32128-23	Nut - Flange Lock	17	5	4
3296-15	Nut - Lock	32	16	1	32128-23	Nut - Flange Lock	26	21	22
3296-23	Nut - Hex.	19	16	8	32128-33	Nut - Flange	35	3	2
3296-23	Nut - Lock	26	10	4	32128-33	Nut - Flange	34	13	1
3296-23	Nut - Lock	18	14	4	32128-33	Nut - Flange	33	18	2
3296-23	Nut - Lock	14	16	2	32128-33	Nut - Flange	2	44	11
3296-27	Nut - Lock	35	21	2	32128-33	Nut - Flange Head	49	12	2
3296-27	Rivet - Plastic	44	13	4	32128-33	Nut - Flange Head	10	15	2
3296-29	Nut - Flange Lock	30	20	8	32128-33	Nut - Flange Lock	37	1	1
3296-29	Nut - Lock	32	6	6	32128-33	Nut - Flange Lock	44	4	1
3296-29	Nut - Lock	8	6	1	32128-33	Nut - Flange Lock	48	6	1
3296-29	Nut - Lock	12	13	1	32128-33	Nut - Flange Lock	12	24	1
3296-29	Nut - Lock	52	21	4	32128-33	Nut - Flange Lock	26	27	4
3296-29	Nut - Lock	48	27	1	32128-33	Nut - Lock	1	25	4
3296-29	Nut - Lock	34	36	2	32128-36	Nut - Lock	27	38	4
3296-39	Nut - Flange Lock	37	20	4	32128-44	Nut - Flange Lock	14	9	2
3296-39	Nut - Flange Lock	44	20	1	32128-53	Nut - Flange Lock	27	26	2
3296-39	Nut - Lock	52	1	6	32128-53	Nut - Flange Lock	23	36	2
3296-39	Nut - Lock	33	11	2	32136-2	Nut - Hex. Slotted	19	5	2
3296-39	Nut - Lock	26	13	6	32136-3	Nut - Hex. Slotted	23	17	2
3296-39	Nut - Lock	35	20	3	32144-4	Screw - Hex. Washer Hd.	15	9	2
3296-39	Nut - Lock	48	23	1	32144-18	Screw - Cap Hex. Hd.	2	22	2
3296-39	Nut - Lock	18	28	8	32144-42	Screw - Spark Arrestor	34	52	1
3296-39	Nut - Lock	16	33	1	32144-52	Screw - Hex. Hd.	13	12	6
3296-39	Nut - Lock	27	42	4	32144-93	Screw - Self Tapping	52	6	2
3296-39	Nut - Lock	15	45	1	32144-116	Screw - Pan Head	5	8	8
3296-42	Nut - Lock	16	12	1	32148-6	Insert - Threaded	2	2	2
3296-42	Nut - Lock	52	13	12	32148-7	Nut - Clinch	1	18	8
3296-42	Nut - Lock	45	17	2	32148-7	Nut - Clinch	15	19	2
3296-42	Nut - Lock	48	19	2	32148-10	Insert - Threaded	26	1	6
3296-42	Nut - Lock	10	20	4	32148-15	Insert - Threaded	15	4	1
3296-42	Nut - Lock	19	31	2	32148-15	Nut - Clinch	37	31	1
3296-42	Nut - Lock	5	32	2	32151-41	Ring - Retaining	31	1	1
3296-42	Nut - Lock	30	38	4	32151-56	Ring - Push-On	8	23	1
3296-48	Nut - Lock	19	6	4	32151-104	Ring - Retaining	19	2	4
3296-48	Nut - Lock	18	11	10	32152-10	Nut	50	12	1
3296-48	Nut - Lock	33	16	2	340-2	Fitting - Straight	49	10	1
3296-58	Nut - Lock	15	11	1	340-3	Fitting - Hydraulic Straight	49	26	1
3296-59	Nut - Lock	5	13	1	340-77	Fitting - Hydraulic 90°	49	6	1
3296-76	Nut - Lock	26	33	8	340-86	Fitting - Hydraulic Tee	48	15	1
32104-82	Screw - Hex. Flange Hd.	26	25	2	340-92	Fitting - Hydraulic Straight	49	29	1
32104-88	Screw	1	4	6	340-94	Fitting - Hydraulic Tee	48	10	1
32107-11	Nut - Square	47	4	2	340-132	Fitting - Hydraulic 90°	49	14	4
32113-14	Screw	36	8	2	340-140	Fitting - Hydraulic Tee	49	28	1
32120-47	Ring - E	12	33	2	340-151	Fitting - Hydraulic Tee	49	30	1
32120-47	Ring - E	8	41	1	353-781	Fitting - Fuel 90°	45	14	1
32120-47	Ring - Retaining	16	10	3	354-134	Fitting - Hydraulic 90°	37	40	2
32121-7	Pin - Roll	12	19	1	354-135	Fitting - Hydraulic 90°	37	5	1
32121-15	Pin - Roll	20	28	1	354-136	Fitting - Hydraulic Straight	49	23	1
32121-24	Pin - Roll	12	21	2					

*Not Illustrated

PRODUCT CHANGES

In an effort to make improvements available to TORO owners as quickly as possible, minor changes are incorporated into Toro's products from time to time that do not become immediately shown in the Parts Catalog. If such a change has been made in your unit, which is not reflected in your manual, see your TORO Distributor or his Authorized TORO Service Dealer for information and part numbers.

IDENTIFICATION AND ORDERING

MODEL AND SERIAL NUMBERS

The Workman 4200 has two identification numbers; a model number and a serial number. The two numbers are stamped on a plate which is located on the main frame. In any correspondence concerning the Workman 4200, supply model and serial numbers to assure that correct information and replacement parts are obtained.

To order replacement parts from an Authorized TORO Service Dealer, supply the following information:

1. Model and serial number of the Workman 4200.
2. Part number, description, and the quantity of part(s) desired.

NOTE: Do not order by reference number if a parts catalog is being used; use the PART NUMBER.

TABLE OF CONTENTS

Description	Page	Description	Page
Front Bumper & Hood Assembly	1	Transaxle Installation Assembly	37-38
Control Panel Assembly	2-3	Transaxle Case Assembly	39
Electrical Schematic	4	Countershaft Assembly	40
Steering Linkage Assembly	5	Transaxle Gear Shafts Assembly	41
Steering Gear Assembly No. 87-1500	6-7	Shift Fork Assembly	42
Brake & Accelerator Pedal Assembly	8	Differential Gear Assembly	43
Master Brake Cylinder No. 87-3030	9	Battery Mount Assembly	44
Hydraulic Brake Line Routing Assembly	10	Fuel Tank Assembly	45
Hydraulic Schematic	11	Air Cleaner & Fuel Supply Assembly	46
Clutch Linkage Assembly	12	Air Cleaner Assembly	47
Seat Base Assembly	13	Lift Valve Linkage Assembly	48
Seat Back Assembly	14	Lift Valve & Cylinder Assembly	49
Hi-Lo Shift Levers Assemblies	15	Lift Cylinder No. 87-7990	50
Differential Lock & Parking Brake Assemblies	16	Control Valve Assembly No. 43-1950	51
R.O.P.S. Assembly	17	Rear Fender & Tail Light Assembly	52
Front Suspension Assembly	18	Cylinder Block Assembly	53
Front Suspension Control Arm Assembly	19	Rocker Cover & Cylinder Head Assembly	54
Front Differential Assembly No. 93-4054	20	Covers & Oil Pan Assembly	55
Differential Driveshaft Assembly No. 93-7116 ...	21	Piston & Crankshaft Assembly	56
Bidirectional Overrunning Clutch Assembly	22	Clutch & Clutch Release Assembly	57
Front Wheel Assembly	23	Camshaft & Valves Assembly	58
Front Brake Assembly	24	Balancer & Oil Pressure Switch & Engine Mount	59
Constant Velocity (CV) Joint Assembly No. 93-7078	25	Oil Pump & Filter Assembly	60
Rear Frame Assembly	26	Water Pump & Thermostat Assembly	61
Rear Axle Assembly	27-28	Exhaust & Intake Manifold Assembly	62
Rear Brake Assembly	29	Carburetor Installation Assembly	63
Radiator & Hydraulic Pump Assembly	30	Carburetor Assembly	64
Hydraulic Pump Assembly No. 87-5700	31	Distributor Assembly	65
Hydraulic Pump Drive Assembly	32	Starter Assembly	66
Engine Frame Assembly	33	Alternator Assembly	67
Engine Installation Assembly	34	Gasket Kit	68
Governor Assembly	35	International Decal Cross Reference	69
Governor	36	TORO Part Number Index	70-81