



TimeCutter™ Z420 Riding Mower

Model No. 74330 - 250000001 and up.

Parts Catalog

Ordering Replacement Parts

To order replacement parts, please supply the part number, the quantity, and the description of each part desired.

Understanding Reference Numbers

Each identified part in an illustration has a reference number. The reference number for a part also appears in the parts list, along with other information about the part.

This catalog uses two special reference number formats, one to indicate parts in a service assembly and another to indicate the quantity of a given part in an illustration.

Service Assembly Reference Numbers

Parts in service assemblies have reference numbers in the form a:b. The a represents the reference number of the entire service assembly and the b represents a sequential number unique to each part within the service assembly.

For example, a wheel assembly might be identified by reference number 6, the tire by 6:1, the valve by 6:2, and the wheel by 6:3. When you order the assembly identified by reference number 6, you receive all parts identified by reference numbers 6:1, 6:2, and 6:3. However, you may also order any part individually. Reference numbers of this type appear in illustrations and in part lists.

Reference Numbers Indicating Quantity

In an illustration, if a reference number indicates more than one part, the reference number has the form nX y. The n represents the quantity of the part, the X is the multiplication symbol, and the y represents the reference number.

For example, in an illustration, the reference number 2X 37 means that two of the parts identified by reference number 37 are indicated.

Contents

Description	Page	Description	Page
Frame Assembly	3	Crankshaft Assembly Briggs and Stratton 286H77-0165-E1	19
Seat Assembly	4	Crankcase Assembly Briggs and Stratton 286H77-0165-E1	20
Control Assembly	5	Oil Filter, Tube and Pump Assembly Briggs and Stratton 286H77-0165-E1	21
Hydro and Belt Drive Assembly	6	Carburetor Assembly Briggs and Stratton 286H77-0165-E1	22
Engine Assembly	7	Governor Assembly Briggs and Stratton 286H77-0165-E1	23
LH Hydrostat Assembly Part No. 108-2394	8	Blower Housing Assembly Briggs and Stratton 286H77-0165-E1	24
RH Hydrostat Assembly Part No. 108-2393	10	Starter Assembly Briggs and Stratton 286H77- 0165-E1	25
Styling Assembly	12	Gasket Assembly Briggs and Stratton 286H77- 0165-E1	26
42 Inch Deck Assembly	13	Carburetor Overhaul Kit Briggs and Stratton 286H77-0165-E1	27
42 Inch Deck Decal Assembly No. 108-6103	14	Attachments and Accessories List	28
42 Inch Deck Spindle and Belt Drive Assembly	15		
Electrical System Assembly	16		
Cylinder Assembly Briggs and Stratton 286H77-0165-E1	17		
Cylinder Head Assembly Briggs and Stratton 286H77-0165-E1	18		

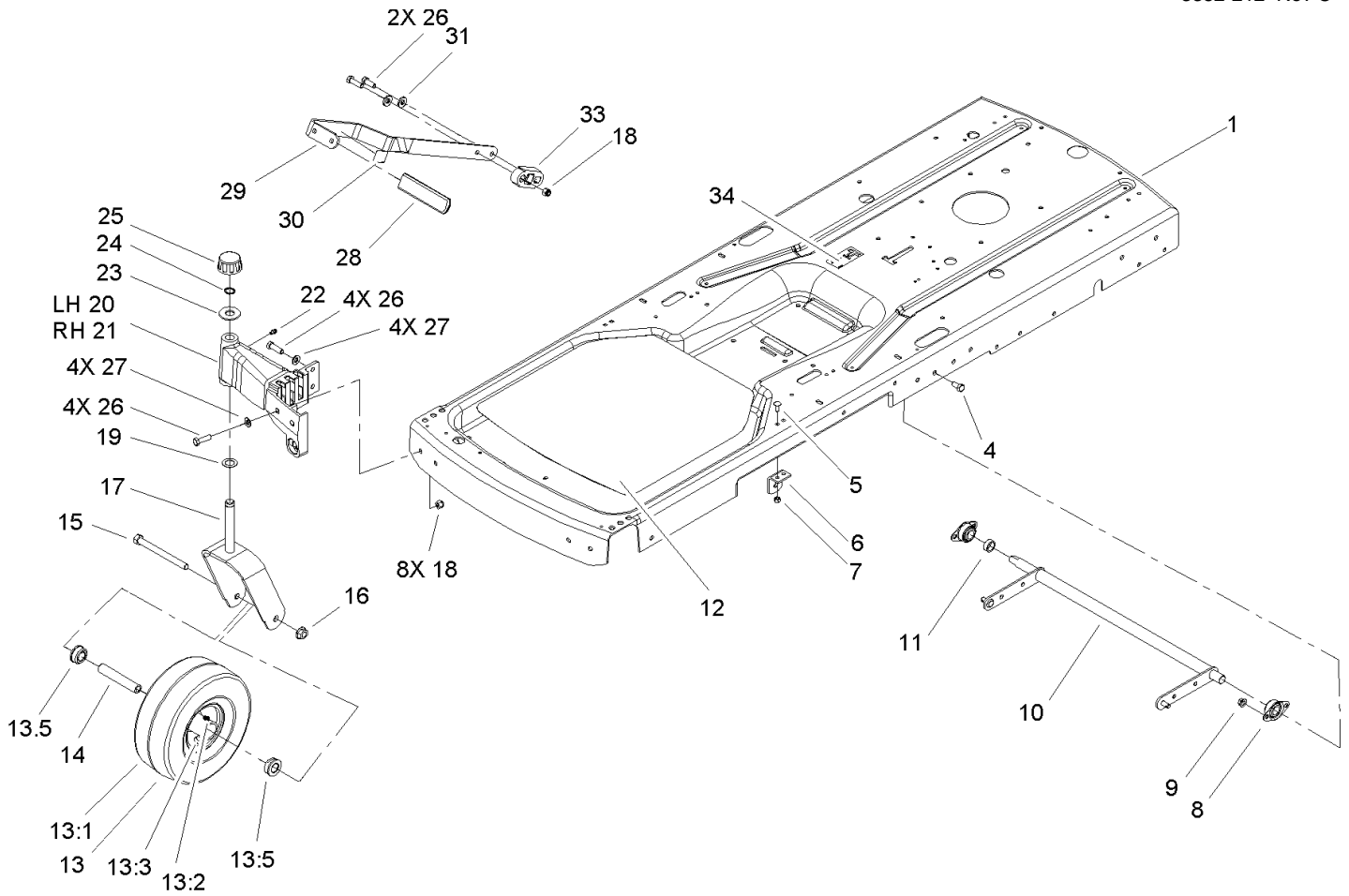
Part Description Abbreviations

Part descriptions in this catalog may include the following abbreviations.

AR. as required	HWHTF. hex washer head thread forming
ASM. assembly	HYD. hydraulic
BBC. blade brake clutch	LH. left hand
CARR. carriage	NI. nylon insert
CCW. counter clock wise	NPTF. national pipe thread fine
CW. clockwise	PFH. phillips flat head
DEG. degrees	PPH. phillips pan head
ECM. electronic control module	PPHTF. phillips pan head thread forming
EXT. external	PRH. phillips round head
FH. flat head	PTH. phillips truss head
GA. gauge	PTO. power-take-off
HD. heavy-duty	RH. right hand
HF. hex flange	ROPS. roll-over protection system
HH. hex head	SFH. slotted fillister head
HHF. hex head flange	SHH. slotted hex head
HHFTF. hex head flange thread forming	SHWH. slotted hex washer head
HJ. hex jam	SPH. slotted pan head
HLH. hex lag head	SQH. square head
HOC. height-of-cut	SRH. slotted round head
HSBH. hex socket button head	STD. standard
HSFH. hex socket flat head	TAP. self tapping
HSH. hex socket head	TTH. torx truss head
HWH. hex washer head	

Footnotes

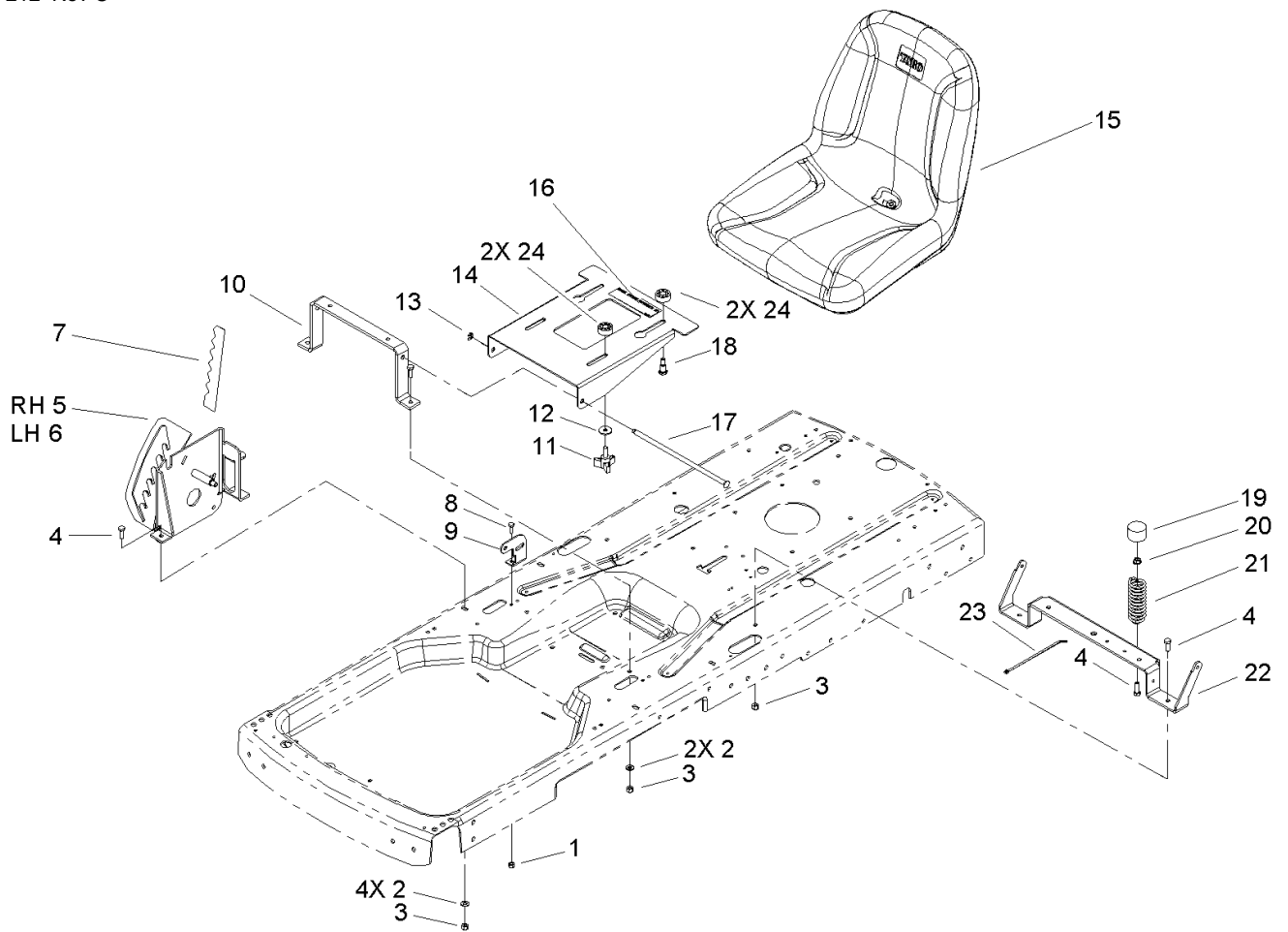
- | | |
|----------------------|--|
| ❶ Not illustrated | ❷ Not serviced separately |
| ❸ Optional Equipment | ❹ Obtain parts from www.briggsandstratton.com |



Frame Assembly

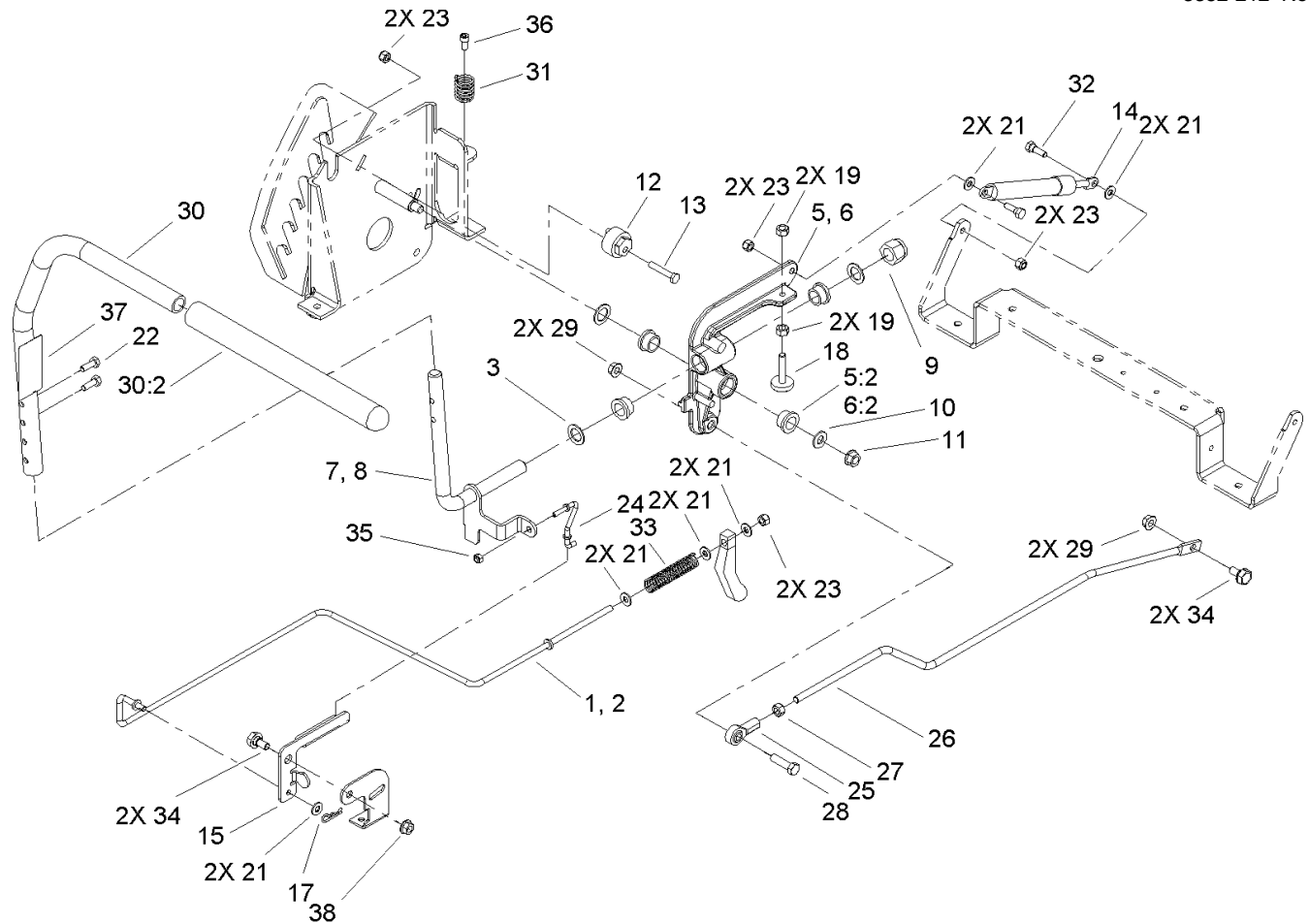
Ref	Part No.	Qty.	Description
1	108-2325-01	1	Frame
4	323-4	4	Screw-HH
5	3229-1	4	Screw-CARR
6	105-3439	2	Bracket-Lift
7	3296-42	4	Nut-Lock, NI
8	1-633102	2	Bearing-Flange, Side
9	3290-357	4	Nut-HHF, Whiz
10	105-3499-03	1	Lift Arm ASM
11	106-2222	1	Spacer
12	105-3460	1	Pad-Antiskid
13	105-3471	2	Front Wheel And Tire ASM
13:1	105-1943	1	Tire
13:2	302-11	1	Fitting-Lube, 45 DEG
13:3	232-27	1	Stem-Valve
13:5	114-1640	2	Bushing-Flange
13:99	93-4244	1	Tube-Inner (W/Valve)
14	104-3667	2	Spanner-Wheel
15	325-22	2	Screw-HH
16	32128-23	2	Nut-HF
17	107-9119-01	2	Castor Fork ASM
18	3296-39	9	Nut-Lock, NI
19	3-6498	2	Washer-Thrust
20	105-6986-01	1	Caster-LH
21	105-6985-01	1	Castor-RH

Ref	Part No.	Qty.	Description
22	302-5	2	Fitting-Grease
23	28-2480	2	Washer-Plain
24	32151-103	2	Ring-Retaining, EXT
25	61-9780	2	Cap-Hub
26	323-18	10	Screw-HH
27	3256-24	8	Washer-Flat
28	105-3450	1	Grip-Lever, Lift
29	108-2317-03	1	Lever-Lift
30	106-8743	1	Decal
31	98-5975	2	Washer-Belleville
33	106-2211	1	Block-Lift
34	108-6109	1	Decal-Transport, Ce



Seat Assembly

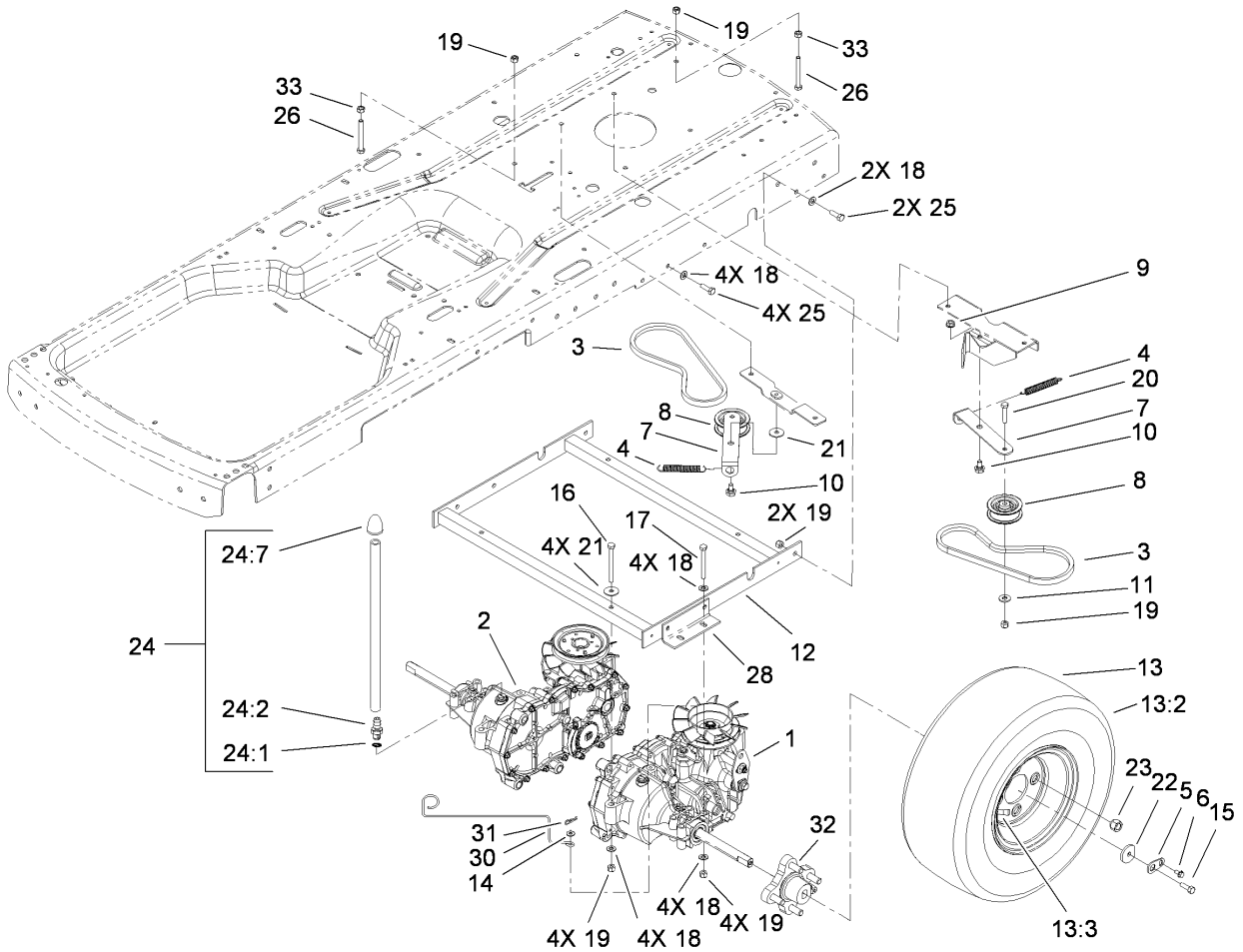
Ref	Part No.	Qty.	Description
1	3296-42	4	Nut-Lock, NI
2	3256-23	6	Washer-Flat
3	3296-29	12	Nut-Lock, NI
4	322-4	14	Screw-HH
5	106-2158-03	1	RH Plate ASM
6	106-2159-03	1	LH Plate ASM
7	108-2392	1	Decal-HOC
8	321-4	4	Screw-HH
9	106-2180	2	Bracket-Bellcrank
10	105-6954-03	1	Brace-Seat, Front
11	106-2240	2	Knob
12	5-4460	2	Washer-Pivot
13	105-7004	1	E-Ring
14	105-6953-03	1	Bracket-Seat
15	108-2329	1	Seat
16	106-8716	1	Decal-Services
17	105-6955	1	Pin-Pivot
18	613529	2	Screw-Shoulder
19	701178	2	Cap-Protector
20	32128-25	2	Nut-HF
21	92-7054	2	Spring-Compression
22	108-2358-03	1	Brace-Seat, Rear
23	614249	1	Strap-Tie
24	107-4902	4	Spacer-Nylon



Control Assembly

Ref	Part No.	Qty.	Description
1	105-7045	1	Rod-Brake, LH
2	105-7044	1	Rod-Brake, RH
3	105-3481	6	Washer-Thrust
5	107-4909	1	LH Activator Arm ASM
5:2	105-3455	4	Bushing
6	107-4910	1	RH Activator Arm ASM
6:2	105-3455	4	Bushing
7	105-3488	1	LH Pivot Shaft ASM
8	105-3487	1	RH Pivot Shaft ASM
9	3296-53	2	Nut-Lock, NI
10	3256-24	2	Washer-Flat
11	3296-59	2	Nut-Lock, NI
12	107-4874	2	Eccentric
13	321-9	2	Screw-HH
14	103-2913	2	Damper-Control, Motion
15	106-2181	2	Bellcrank
17	1-806003	2	Pin-Cotter, Hair
18	105-3486	2	Stop-Adjustment
19	3217-6	4	Nut-Hex
21	3256-22	12	Washer-Flat
22	321-4	4	Screw-HH
23	3296-42	8	Nut-Lock, NI
24	106-2179	2	Link-Brake
25	1-543017	2	Balljoint-RH

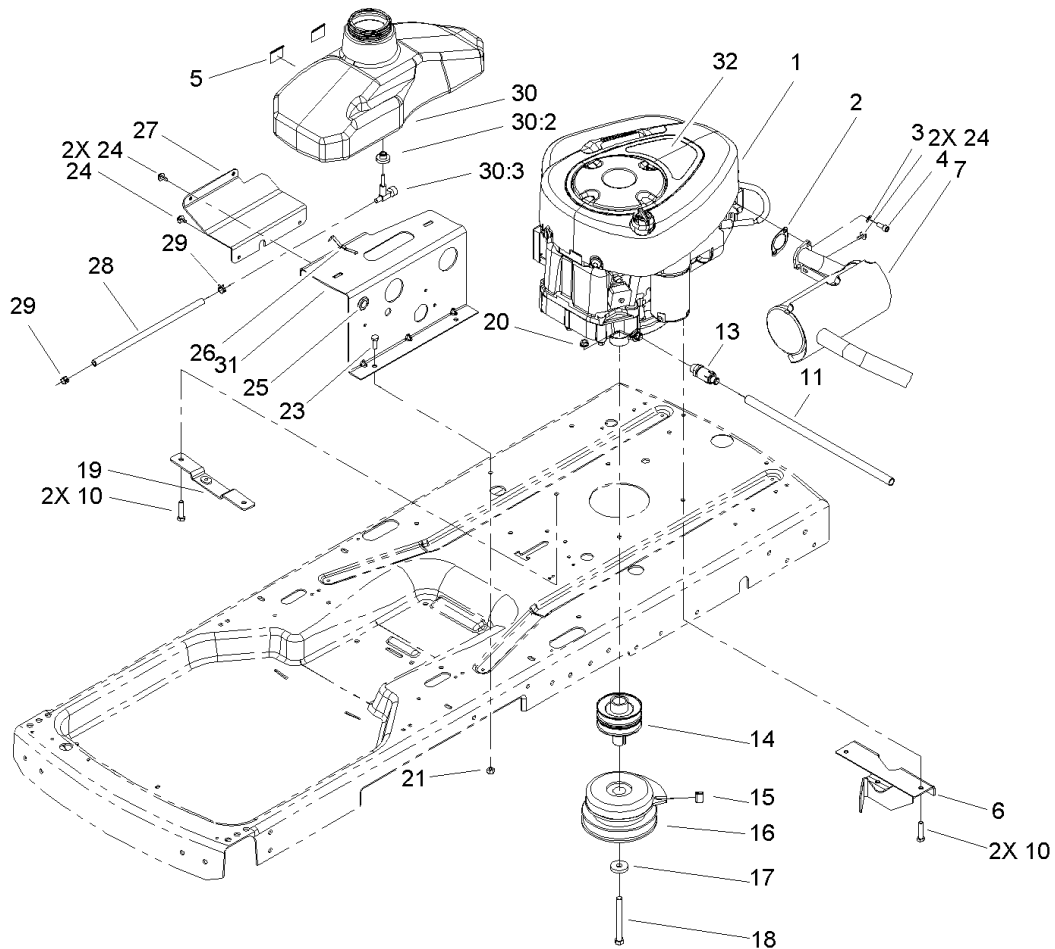
Ref	Part No.	Qty.	Description
26	105-7048	2	Rod-Hydro
27	3219-2	2	Nut-Hex
28	322-6	2	Screw-HH
29	32128-20	4	Nut-HF
30	106-2242	2	Handle ASM
30:2	1-633257	1	Grip-Control, Motion
31	105-3469	2	Spring-Compression
32	106-2214	4	Bolt-Shoulder
33	105-3465	2	Spring-Compression
34	37-8771	4	Bolt-Shoulder
35	3296-2	2	Nut-Lock, NI
36	3274-52	2	Screw-HSH
37	106-8742	2	Decal
38	32128-25	2	Nut-HF



Hydro and Belt Drive Assembly

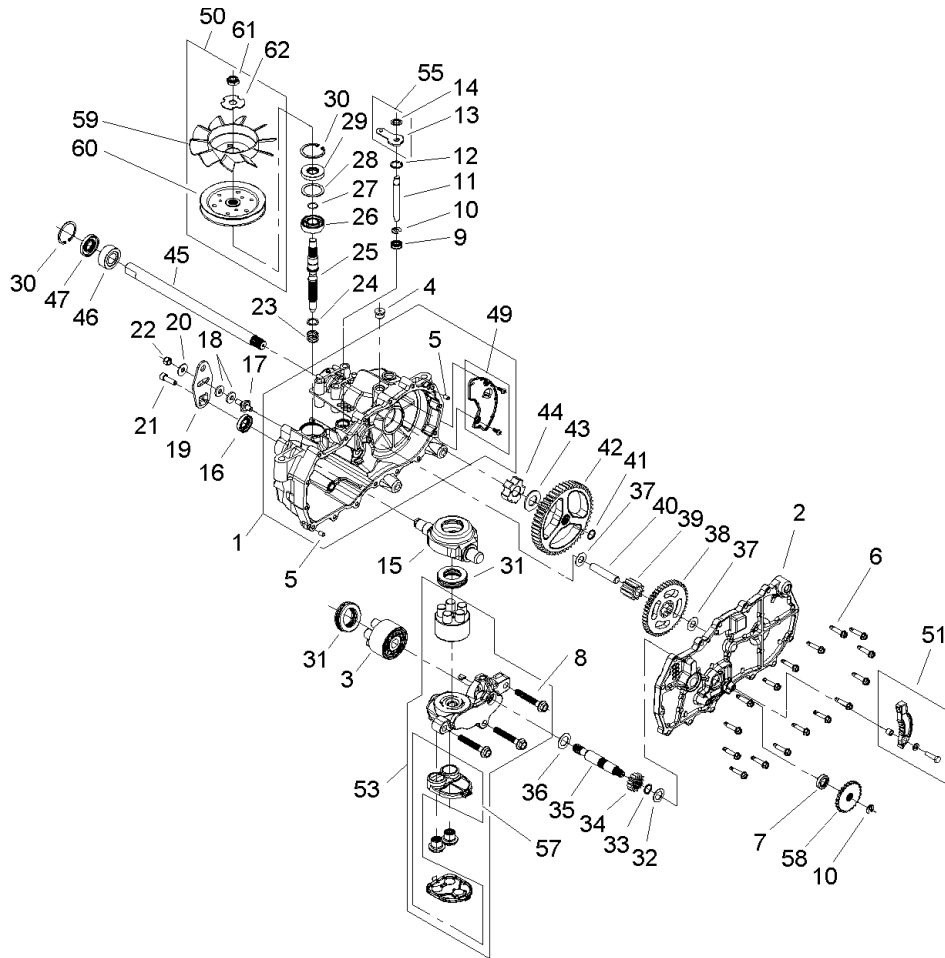
Ref	Part No.	Qty.	Description
1	108-2394	1	Transaxle-Hydro, LH
2	108-2393	1	Transaxle-Hydro, RH
3	106-2174	2	V-Belt
4	95-3805	2	Spring
5	105-3438	2	Tab-Locking
6	3234-13	2	Screw-HHF
7	105-7047	2	Arm-Idler
8	106-2176	2	Pulley-Idler
9	32128-25	1	Nut-HF
10	37-8770	2	Bolt-Shoulder
11	3256-3	2	Washer-Flat
12	107-4878-03	1	Hydro Mount ASM
13	106-7004	2	Wheel And Tire ASM
13:2	106-7006	1	Tire
13:3	232-27	1	Stem-Valve
● 13:99	107-2491	1	Tube-Tire
14	3256-1	2	Washer-Flat
15	3210-5	2	Screw-HH
16	322-20	4	Screw-HH
17	322-13	4	Screw-HH
18	3256-23	18	Washer-Flat
19	3296-29	18	Nut-Lock, NI
20	322-7	2	Screw-HH
21	5-4460	5	Washer-Pivot

Ref	Part No.	Qty.	Description
22	106-7001	2	Washer-Wheel
23	242-50	8	Nut-Lug
24	106-7002	2	Vent Hose ASM
24:1	93-3816	1	O-Ring
24:2	93-3818	1	Fitting ASM
24:7	107-1701	1	Cap Vent ASM
25	322-5	6	Screw-HH
26	322-13	2	Screw-HH
28	105-7039-03	2	Support-Hydro
30	107-4875	2	Rod-Bypass
31	1-806003	2	Pin-Cotter, Hair
32	108-9533	2	Hub ASM
33	3217-6	2	Nut-Hex



Engine Assembly

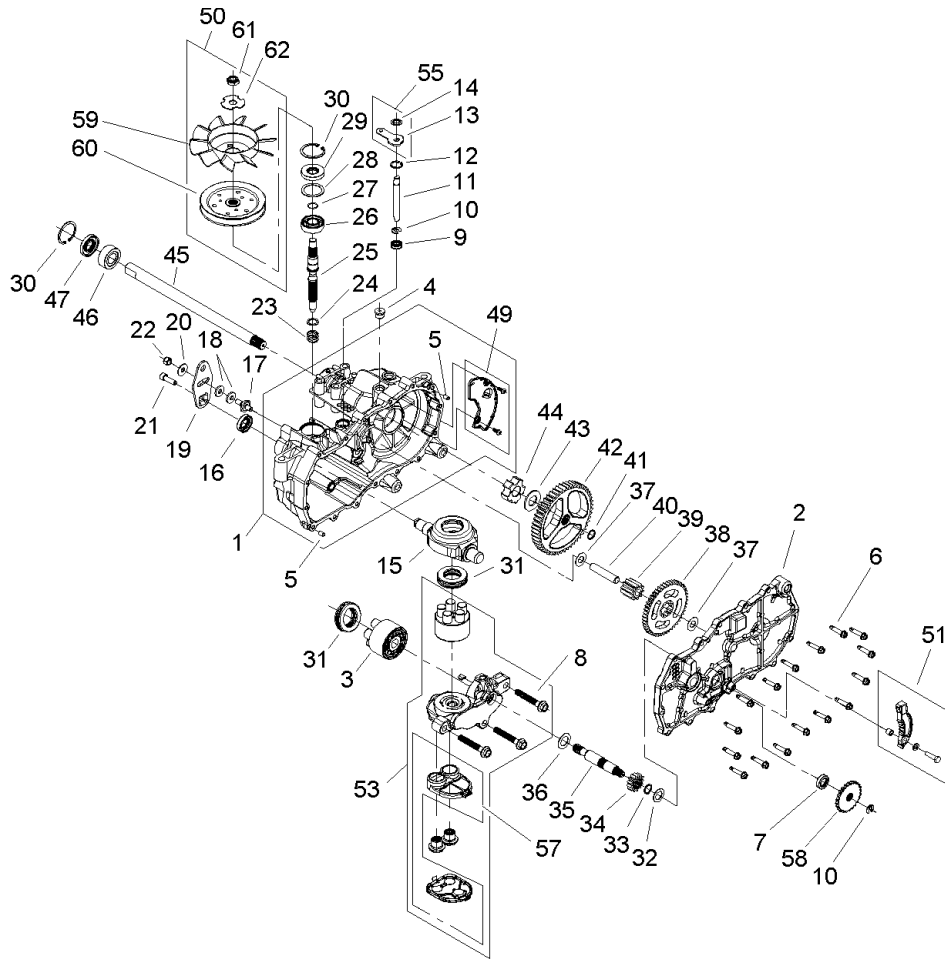
Ref	Part No.	Qty.	Description	Ref	Part No.	Qty.	Description
1		1	Engine-Briggs And Stratton, 286H77-0165-E1	28	106-8720	1	Hose-Fuel
2	88-4410	1	Gasket-Exhaust	29	2412-98	2	Clamp
3	3253-4	2	Washer-Lock	30	105-3464	1	Gas Tank ASM
4	3274-10	2	Screw-HSH	30:2	46-6560	1	Bushing
5	104-2488	2	Foam-Switch, Seat	30:3	104048	1	Valve-Fuel
6	107-4873	1	Bracket-Pivot	31	108-2314-03	1	Plate-Tank
7	106-7007	1	Muffler	32	107-4905	1	Decal
10	322-7	4	Screw-HH				
11	106-7022	1	Tube-Drain, Oil				
13	92-6877	1	Valve-Drain, Oil				
14	105-3472	1	Pulley-Engine				
15	98-5023	1	Bumpon				
16	104-3334	1	Clutch-Electric				
17	112843	1	Washer				
18	3212-16	1	Screw-HH				
19	106-2156	1	Plate-Mount, Idler				
20	32128-25	4	Nut-HF				
21	3296-29	2	Nut-Lock, NI				
23	322-4	2	Screw-HH				
24	46-8560	5	Screw-HHF				
25	237-124	1	Grommet				
26	609830	2	Spring				
27	108-2315-03	1	Plate-Support				



LH Hydrostat Assembly Part No. 108-2394

Ref	Part No.	Qty.	Description
1	106-8695	1	RH Main Housing ASM
2	106-8696	1	RH Side ASM
3	104-2106	1	Cylinder Block ASM
4	104-2189	1	Plug-Thread, Straight
5	9004800-2506	2	Pin-Hydrogear
6	104-5305	16	Screw-HHF
7	104-5347	1	Seal-Oil
8	94-6926	3	Bolt
9	106-8676	1	Seal-Lip
10	106-8677	2	Ring-Retaining, EXT
11	106-8678	1	Rod-Bypass
12	106-8679	1	Ring-Retaining, Int
13	107-2490	1	Arm-Bypass
14	106-8681	1	Ring-Retaining, EXT
15	104-5304	1	Swashplate-Trunnion
16	104-5313	1	Seal-Lip
17	104-2116	1	Stud
18	105-1873	2	Puck-Friction
19	106-8747	1	Arm-Control
20	5-4460	1	Washer-Pivot
21	107-2488	1	Screw
22	105-1872	1	Nut
23	94-1936	1	Spring-Block

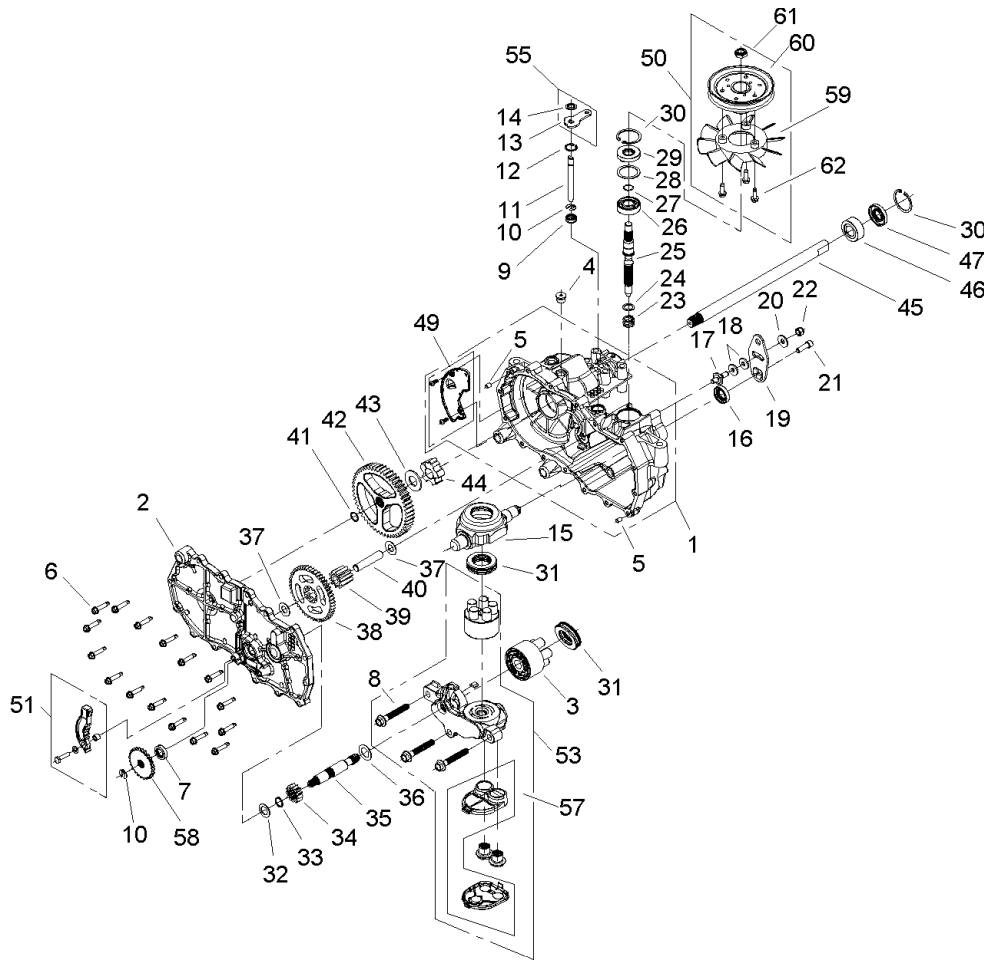
Ref	Part No.	Qty.	Description
24	94-1937	1	Washer-Thrust, Block
25	104-5306	1	Shaft-Input
26	104-5311	1	Bearing-Ball
27	104-5307	1	Ring-Retaining
28	104-5308	1	Spacer
29	104-5310	1	Seal-Lip
30	104-5309	2	Ring-Retaining
31	94-6922	2	Bearing-Thrust
32	104-5339	1	Washer-Flat
33	104-5340	1	Ring-Retaining
34	104-5316	1	Gear-Pinnion, 13T
35	106-8683	1	Shaft-Motor
36	104-5360	1	Washer-Shaft, Motor
37	94-1933	2	Washer
38	104-5317	1	Gear
39	104-5318	1	Gear-Jackshaft, 10T
40	104-5329	1	Pin-Jackshaft
41	104-5328	1	Ring-Retaining, Spiral
42	106-8684	1	Gear-Bull, 52T
43	94-1943	1	Washer
44	104-5320	1	Bearing-Sleeve
45	106-8685	1	Axle
46	104-5321	1	Bearing-Sleeve, Outboard
47	104-5322	1	Seal-Lip



LH Hydrostat Assembly Part No. 108-2394 (continued)

Ref	Part No.	Qty.	Description
●48	106-8686	1	Seal Kit
49	106-8697	1	RH Expansion Plate Kit
50	106-8698	1	Fan Pulley Kit
51	106-8688	1	Brake Arm Kit
53	108-6190	1	RH 7-Piston Center Section Kit
●54	104-2147	1	Sealant
55	107-2489	1	Bypass Arm Kit
57	106-8693	1	Filter Kit
58	106-8694	1	Disc-Brake, Cog
59	110-8566	1	Fan-6 Inch, 10 Blade
60	104-1754	1	Pulley
61	105-1875	1	Nut-Lock
62	107-9122	3	Washer-Slotted

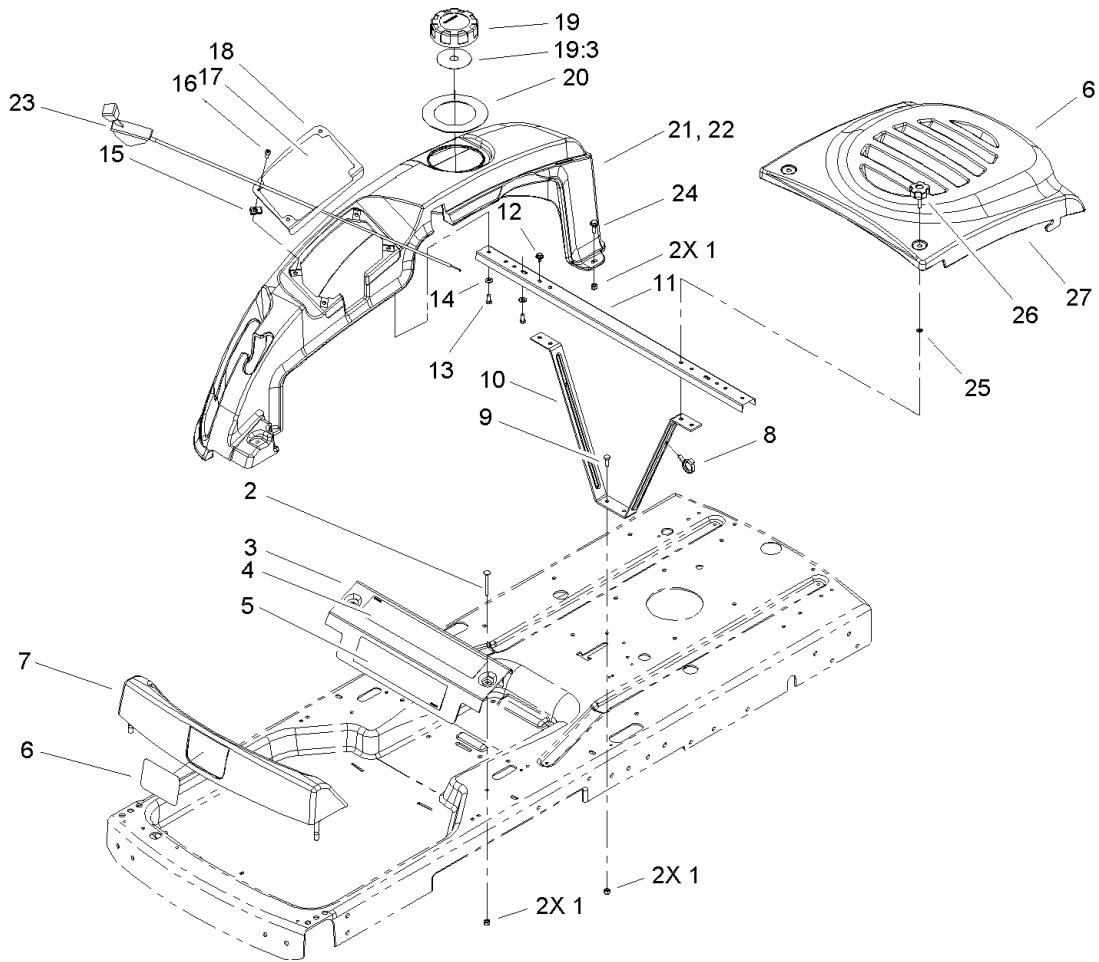
--	--	--	--



RH Hydrostat Assembly Part No. 108-2393

Ref	Part No.	Qty.	Description
1	106-8674	1	LH Main Housing ASM
2	106-8675	1	LH Side ASM
3	104-2106	1	Cylinder Block ASM
4	104-2189	1	Plug-Thread, Straight
5	9004800-2506	2	Pin-Hydrogear
6	104-5305	16	Screw-HHF
7	104-5347	1	Seal-Oil
8	94-6926	3	Bolt
9	106-8676	1	Seal-Lip
10	106-8677	2	Ring-Retaining, EXT
11	106-8678	1	Rod-Bypass
12	106-8679	1	Ring-Retaining, Int
13	107-2490	1	Arm-Bypass
14	106-8681	1	Ring-Retaining, EXT
15	104-5304	1	Swashplate-Trunnion
16	104-5313	1	Seal-Lip
17	104-2116	1	Stud
18	105-1873	2	Puck-Friction
19	106-8747	1	Arm-Control
20	5-4460	1	Washer-Pivot
21	107-2488	1	Screw
22	105-1872	1	Nut
23	94-1936	1	Spring-Block

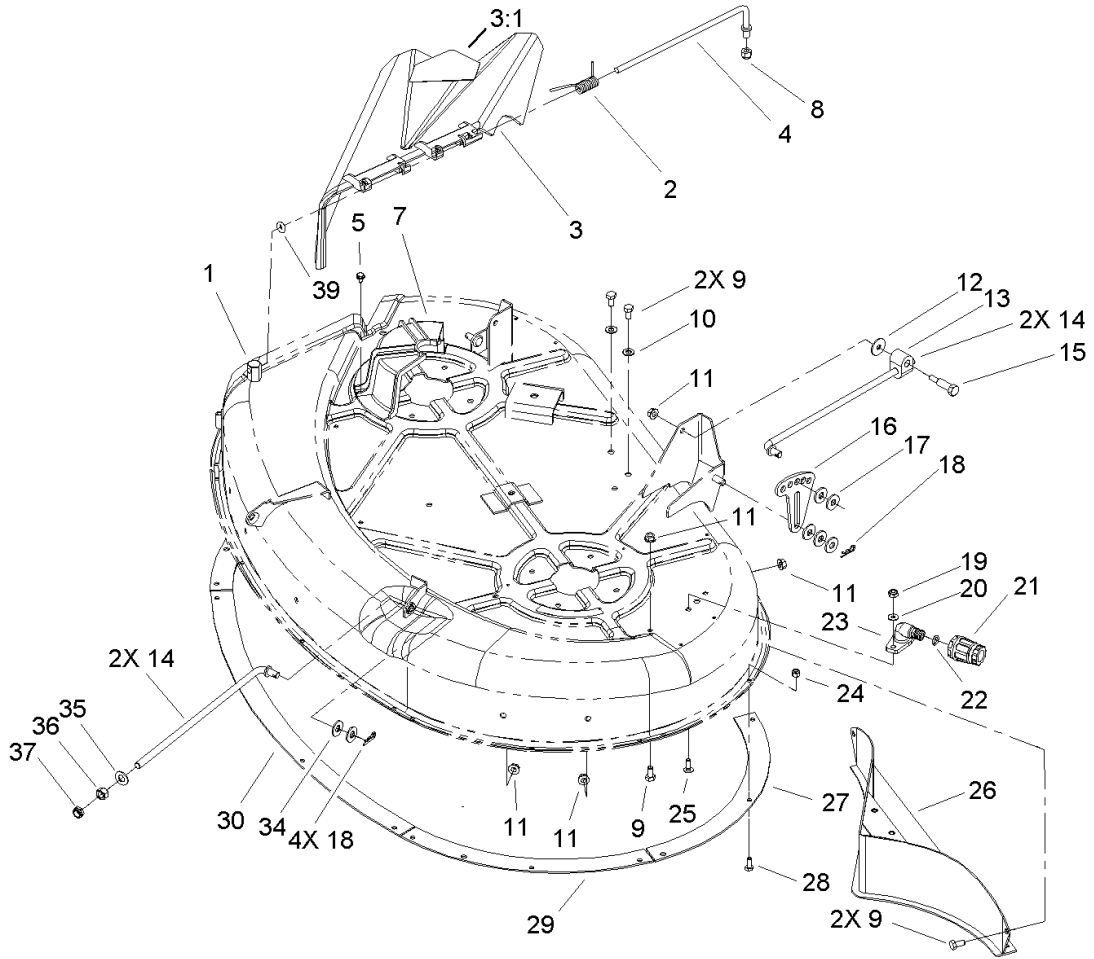
Ref	Part No.	Qty.	Description
24	94-1937	1	Washer-Thrust, Block
25	104-5306	1	Shaft-Input
26	104-5311	1	Bearing-Ball
27	104-5307	1	Ring-Retaining
28	104-5308	1	Spacer
29	104-5310	1	Seal-Lip
30	104-5309	2	Ring-Retaining
31	94-6922	2	Bearing-Thrust
32	104-5339	1	Washer-Flat
33	104-5340	1	Ring-Retaining
34	104-5316	1	Gear-Pinnion, 13T
35	106-8683	1	Shaft-Motor
36	104-5360	1	Washer-Shaft, Motor
37	94-1933	2	Washer
38	104-5317	1	Gear
39	104-5318	1	Gear-Jackshaft, 10T
40	104-5329	1	Pin-Jackshaft
41	104-5328	1	Ring-Retaining, Spiral
42	106-8684	1	Gear-Bull, 52T
43	94-1943	1	Washer
44	104-5320	1	Bearing-Sleeve
45	106-8685	1	Axle
46	104-5321	1	Bearing-Sleeve, Outboard
47	104-5322	1	Seal-Lip



Styling Assembly

Ref	Part No.	Qty.	Description
1	3296-42	6	Nut-Lock, NI
2	3229-7	2	Screw-CARR
3	106-2164-03	1	Bracket-Support, Front
4	107-7398	1	Decal-Danger
5	108-7128	1	Decal
6	105-6971	2	Decal
7	105-6965	1	Footrest ASM
8	105-1853	2	Clamp-Hose
9	321-4	2	Screw-HH
10	106-6994-03	1	Brace ASM
11	108-2313-03	1	Channel-Cross
12	46-8560	2	Screw-HHF
13	46-8090	4	Screw-Plastite
14	3256-22	4	Washer-Flat
15	107069	4	Clip
16	3258-166	4	Screw-PRH
17	106-2224	1	Decal-Control
18	106-2167-03	1	Panel-Control
19	88-3980	1	Gas Cap ASM
19:3	88-4010	1	Gasket-Cap, Gas
20	106-7042	1	Seal-Rubber
21	106-2161	1	Cover-Side, RH
22	106-2162	1	Cover-Side, LH
23	104-3626	1	Cable-Throttle

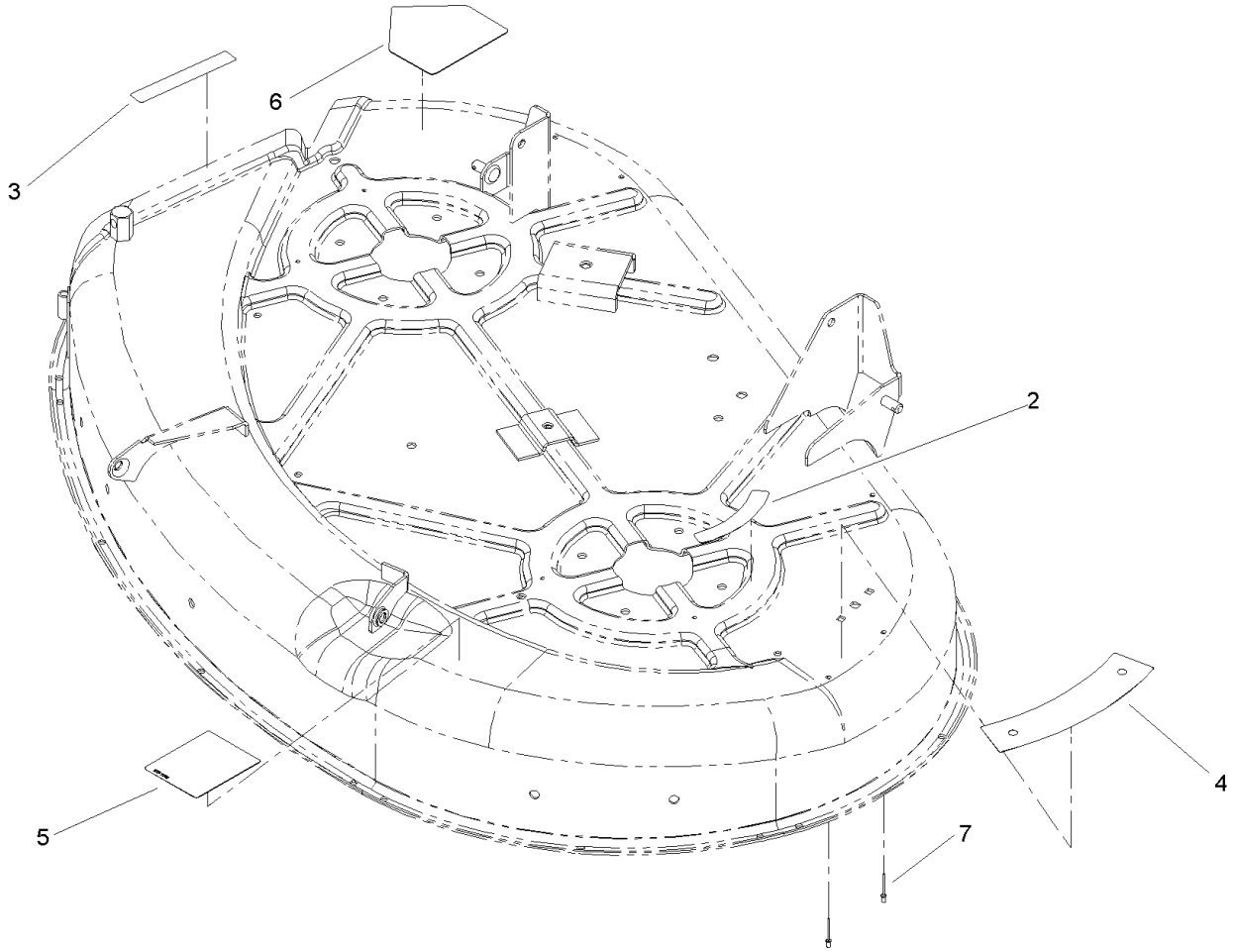
Ref	Part No.	Qty.	Description
24	11-9030	2	Screw-Shoulder
25	106-8737	2	Nut-Retainer
26	106-7017	2	Knob
27	106-2163	1	Cover-Hood



42 Inch Deck Assembly

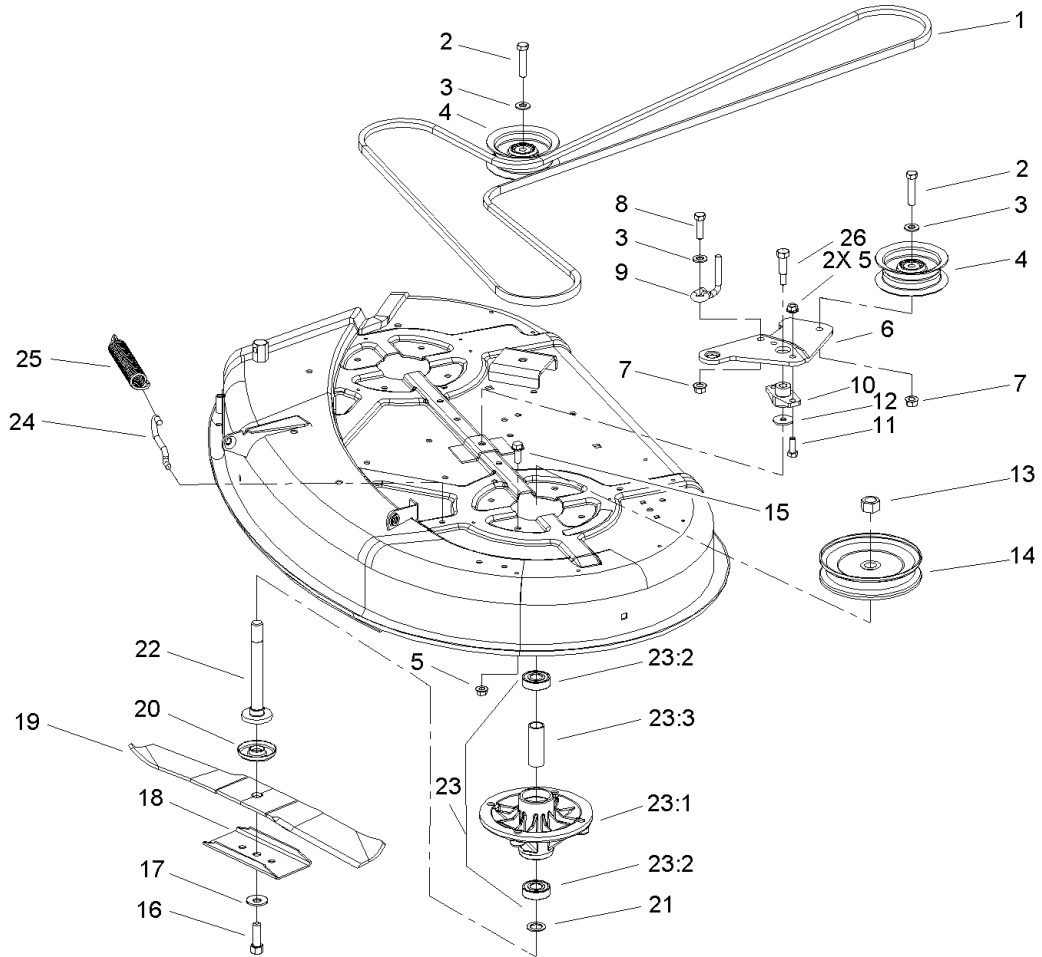
Ref	Part No.	Qty.	Description
1	108-6103	1	42 Inch Deck ASM
2	57-6950	1	Spring
3	93-0317	1	Deflector ASM
3:1	93-1122	1	Decal-Danger
4	95-1661	1	Rod-Pivot
5	32104-76	5	Screw
6	88-4030	1	Guide-Belt, LH
7	88-4020	1	Guide-Belt, RH
8	3296-39	1	Nut-Lock, NI
9	322-2	5	Screw-HH
10	3256-23	2	Washer-Flat
11	32128-25	5	Nut-HF
12	5-4460	2	Washer-Pivot
13	88-4230	2	Trunnion-HOC
14	105-3437	4	Rod-Hanger
15	7-0030	2	Screw-Shoulder, HH
16	88-5570-03	2	Link-Adjusting, HOC
17	80-6990	10	Washer-Hardened
18	9335054	8	Pin-Hair
19	3296-16	2	Nut-Lock, NI
20	3256-1	2	Washer-Flat
21	95-3270	1	Connector-Hose
22	46-6290	1	O-Ring, Seal
23	95-2747	1	Fitting-Washout

Ref	Part No.	Qty.	Description
24	3296-42	19	Nut-Lock, NI
25	3229-1	2	Screw-CARR
26	106-6983-03	1	Rear Baffle ASM
27	106-6954-03	2	Ring-Blow Out, Side
28	321-3	19	Screw-HH
29	106-6952-03	2	Ring-Blow Out, Side
30	106-6953-03	1	Ring-Blow Out
34	3256-4	8	Washer-Flat
35	3256-25	2	Washer-Flat
36	3219-4	2	Nut-Hex
37	3296-38	2	Nut-Lock, NI
39	106-8745	1	O-Ring



42 Inch Deck Decal Assembly No. 108-6103

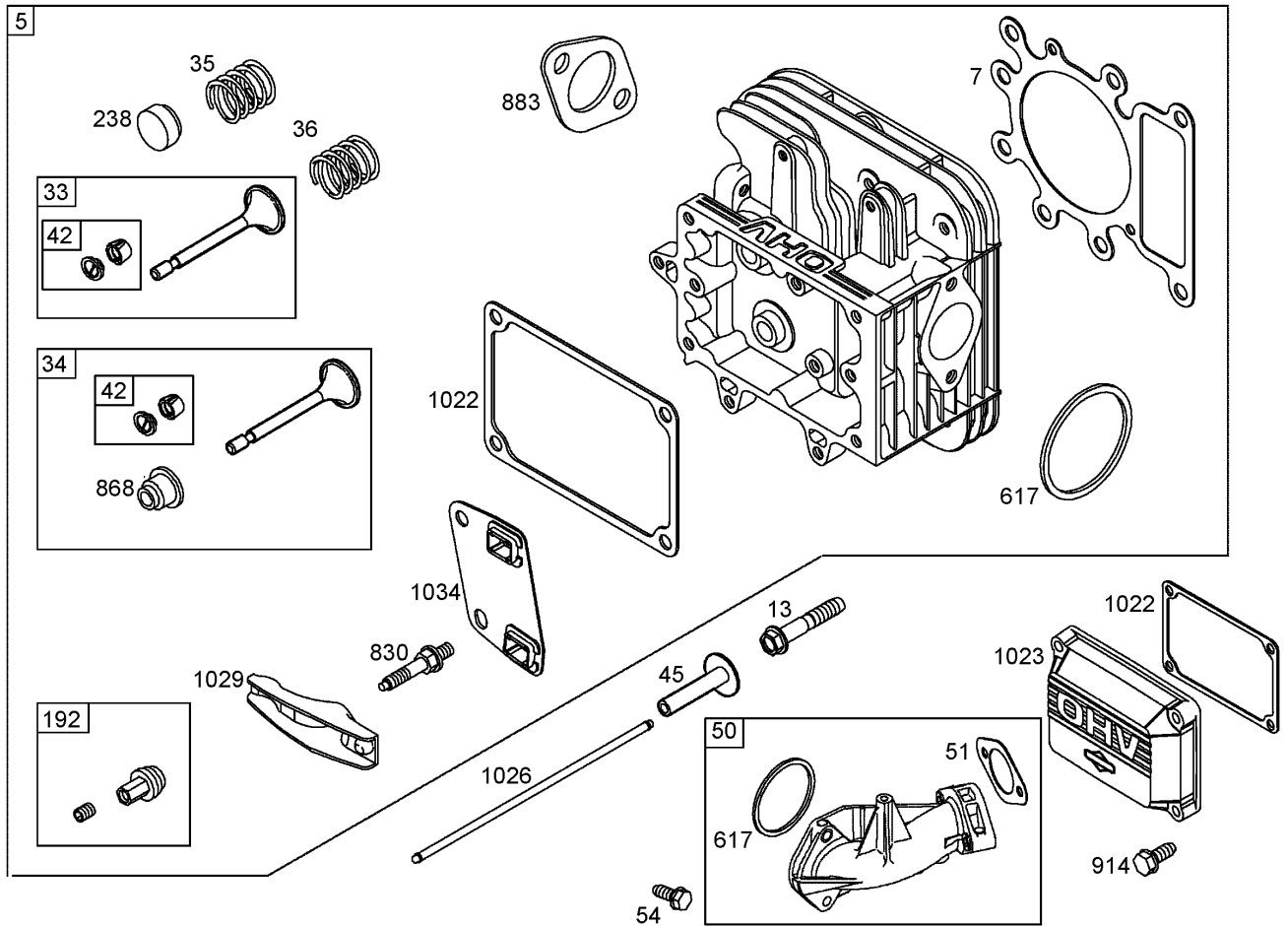
Ref	Part No.	Qty.	Description
2	68-3660	1	Decal-Danger, Shield
3	68-3650	1	Decal-Danger, Deflector
4	79-3140	1	Decal-Danger
5	105-7015	1	Decal-Routing, Belt
6	93-1122	1	Decal-Danger
7	3290-282	2	Rivet-Blind



42 Inch Deck Spindle and Belt Drive Assembly

Ref	Part No.	Qty.	Description
1	106-2173	1	Belt-V
2	323-9	2	Screw-HH
3	3256-24	3	Washer-Flat
4	106-2175	2	Pulley-Idler, Flat
5	32128-25	3	Nut-HF
6	107-2467-03	1	Arm-Idler
7	32128-21	2	Nut-HF
8	323-7	1	Screw-HH
9	107-7307	1	Guide-Idler, Belt
10	88-4980	1	Bushing-Arm, Idler
11	322-4	2	Screw-HH
12	5-4460	1	Washer-Pivot
13	3219-6	2	Nut-Hex
14	88-5330	2	Pully ASM
15	32144-41	8	Screw-Taptite
16	26-0671	2	Screw-HH
17	3290-465	2	Washer-Belleville
18	106-2248-03	2	Stiffener-Blade
19	106-2247-03	2	Blade
20	80-4360	2	Shield-Bearing
21	80-4380	2	Spacer
22	80-4341	2	Shaft-Spindle
23		2	Spindle ASM
23:1	88-4510	1	Housing-Spindle

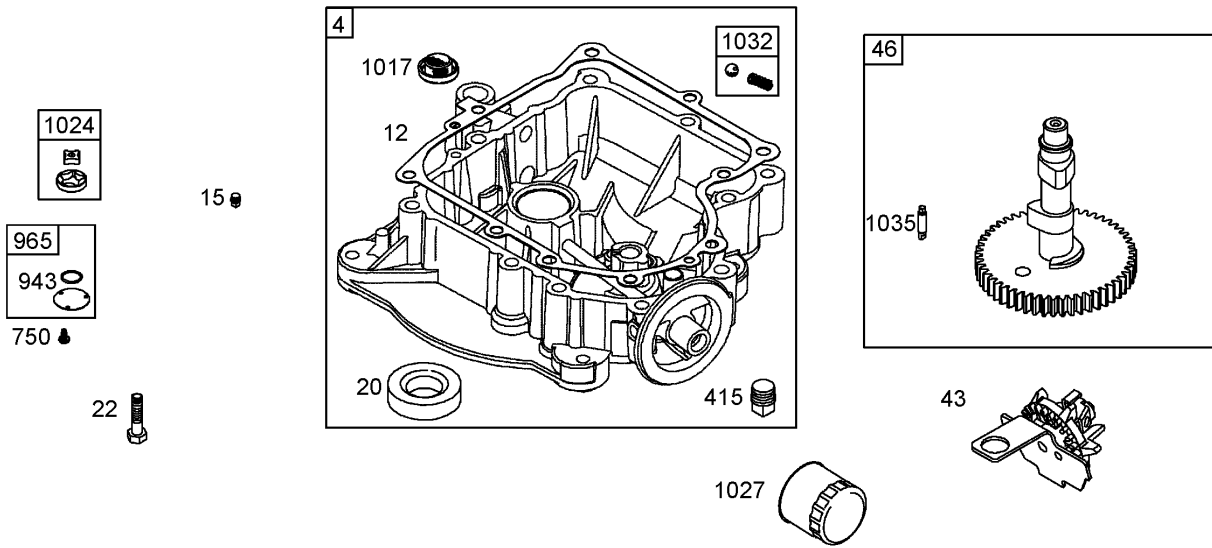
Ref	Part No.	Qty.	Description
23:2	100-1048	2	Bearing-Ball
23:3	62-3661	1	Spacer
24	88-5970	1	Hook-Return, Spring
25	106-2177	1	Spring-Extension
26	7-0030	1	Screw-Shoulder, HH



Cylinder Head Assembly Briggs and Stratton 286H77-0165-E1

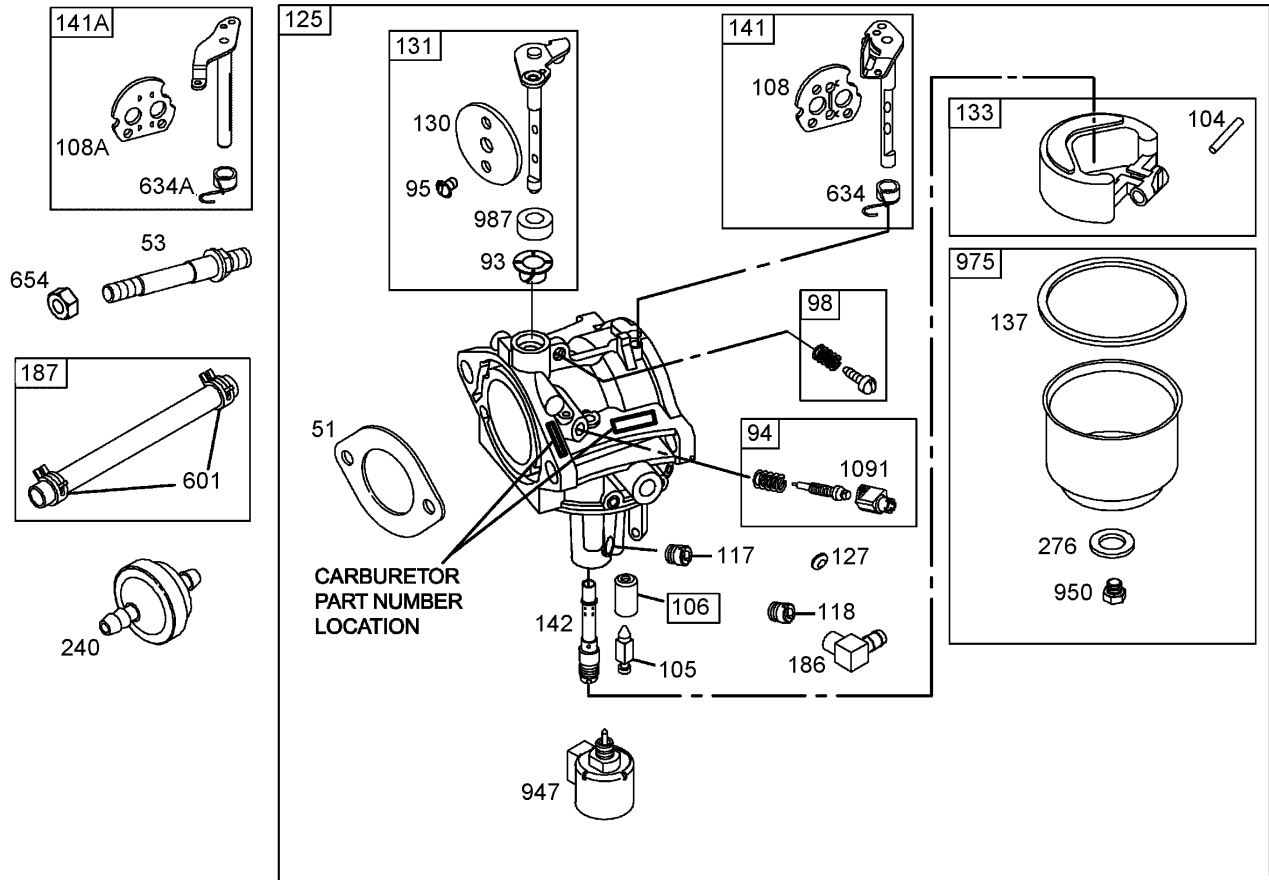
Ref	Part No.	Qty.	Description
45	698148	1	Head-Cylinder
47	273280	1	Gasket-Head, Cylinder
413	690360	1	Screw (Cylinder Head Gasket)
433	695760	1	Valve-Exhaust
434	695761	1	Valve-Intake
435	691279	1	Spring-Valve (Intake)
436	691279	1	Spring-Valve (Exhaust)
442	499586	1	Keeper-Valve
445	690564	1	Tappet-Valve
450	690193	1	Manifold-Intake
451	692137	1	Gasket-Intake
454	691148	1	Screw (Intake Manifold)
4192	691986	1	Adjustor-Arm, Rocker
4238	691843	1	Cap-Valve
4617	692138	1	Seal-O Ring (Intake Manifold)
4830	691095	1	Stud-Arm, Rocker
4868	690968	1	Seal-Valve
4883	692236	1	Gasket-Exhaust
4914	691108	1	Screw (Rocker Cover)
41022	272475	1	Gasket-Cover, Rocker
41023	692492	1	Cover-Rocker
41026	692003	1	Rod-Push
4	692011	1	Rod-Push
41029	691751	1	Arm-Rocker

Ref	Part No.	Qty.	Description
41034	690822	1	Guide-Rod, Push



Crankcase Assembly Briggs and Stratton 286H77-0165-E1

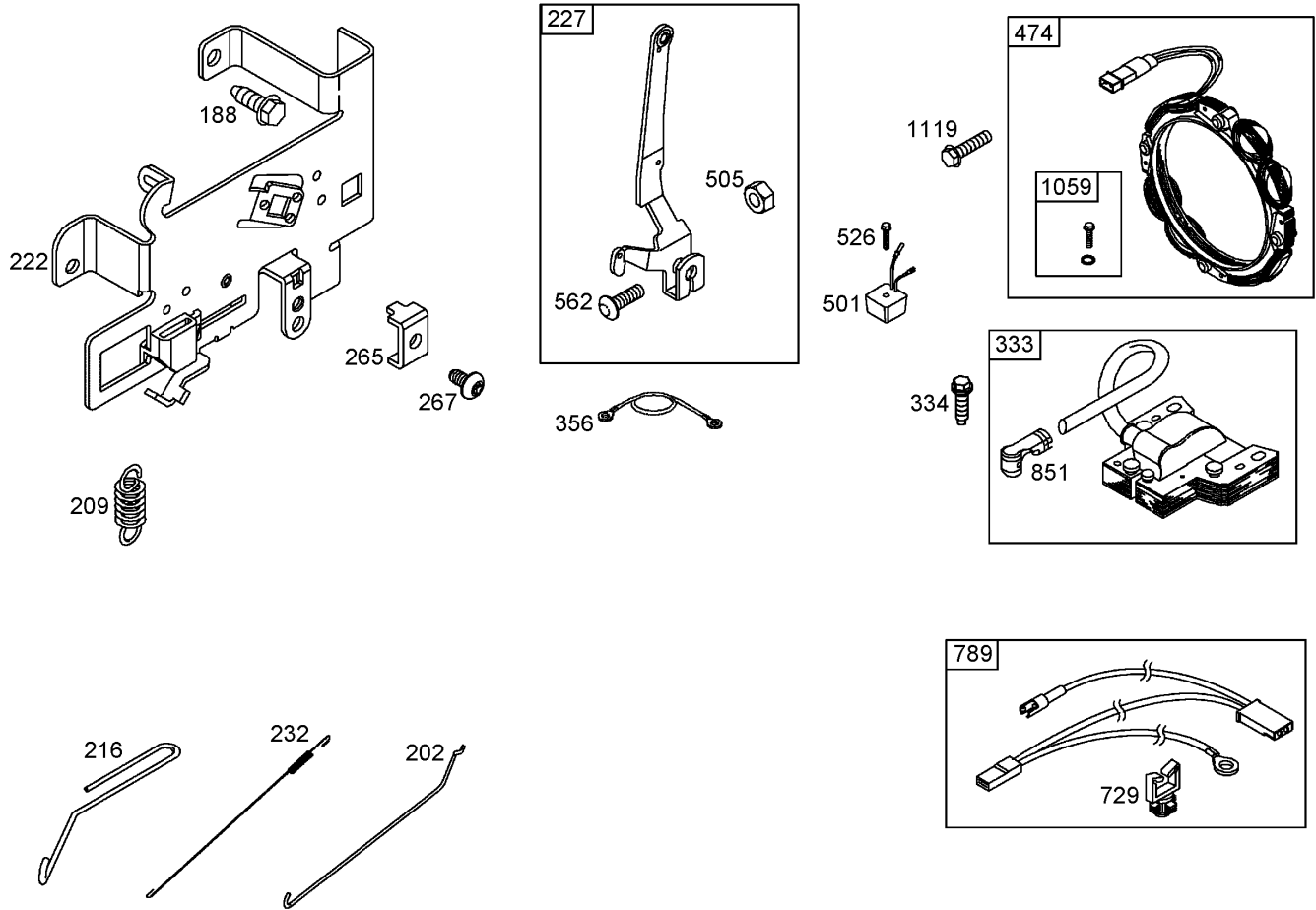
Ref	Part No.	Qty.	Description
4	697188	1	Sump-Engine
12	697110	1	Gasket-Crankcase
15	691680	1	Plug-Drain, Oil
20	690947	1	Seal-Oil
22	692125	1	Screw (Engine Sump)
415	690283	1	Plug-Oil
43	691968	1	Slinger-Governor, Oil
46	790400	1	Camshaft
750	691033	1	Screw (Oil Pump Cover)
943	690589	1	Seal-O Ring
965	499613	1	Cover-Pump, Oil
1017	690770	1	Screen-Pump, Oil
1024	499054	1	Pump-Oil
1027	492932	1	Filter-Oil
1032	491710	1	Ball-Pump, Oil
1035	693784	1	Shaft-Pump, Oil



Carburetor Assembly Briggs and Stratton 286H77-0165-E1

Ref	Part No.	Qty.	Description
④51	692137	1	Gasket-Intake
④53	690227	1	Stud (Carburetor)
④93	690602	1	Bushing-Shaft, Throttle
④94	498030	1	Idle Mixture Kit
④95	691636	1	Screw (Throttle Valve)
④98	495800	1	Idle Speed Kit
④104	690525	1	Pin-Hinge, Carburetor Float
④105	231855	1	Valve-Needle, Float
④106	690577	1	Seat-Inlet
④108	690464	1	Valve-Choke
④108A	692344	1	Valve-Choke (Choke A Matic)
④117	694352	1	Jet-Main (STD)
④118	697228	1	Jet-Main (High Altitude)
④125	698445	1	Carburetor
④127	695005	1	Plug-Welch
④130	691750	1	Valve-Throttle
④131	494379	1	Throttle Shaft Kit
④133	494381	1	Float-Carburetor
④137	281165	1	Gasket-Bowl, Float
④141	495097	1	Choke Shaft Kit (Manual Choke)
④141A	495931	1	Choke Shaft Kit (Choke A Matic)
④142	697140	1	Nozzle-Carburetor
④186	698174	1	Connector-Hose

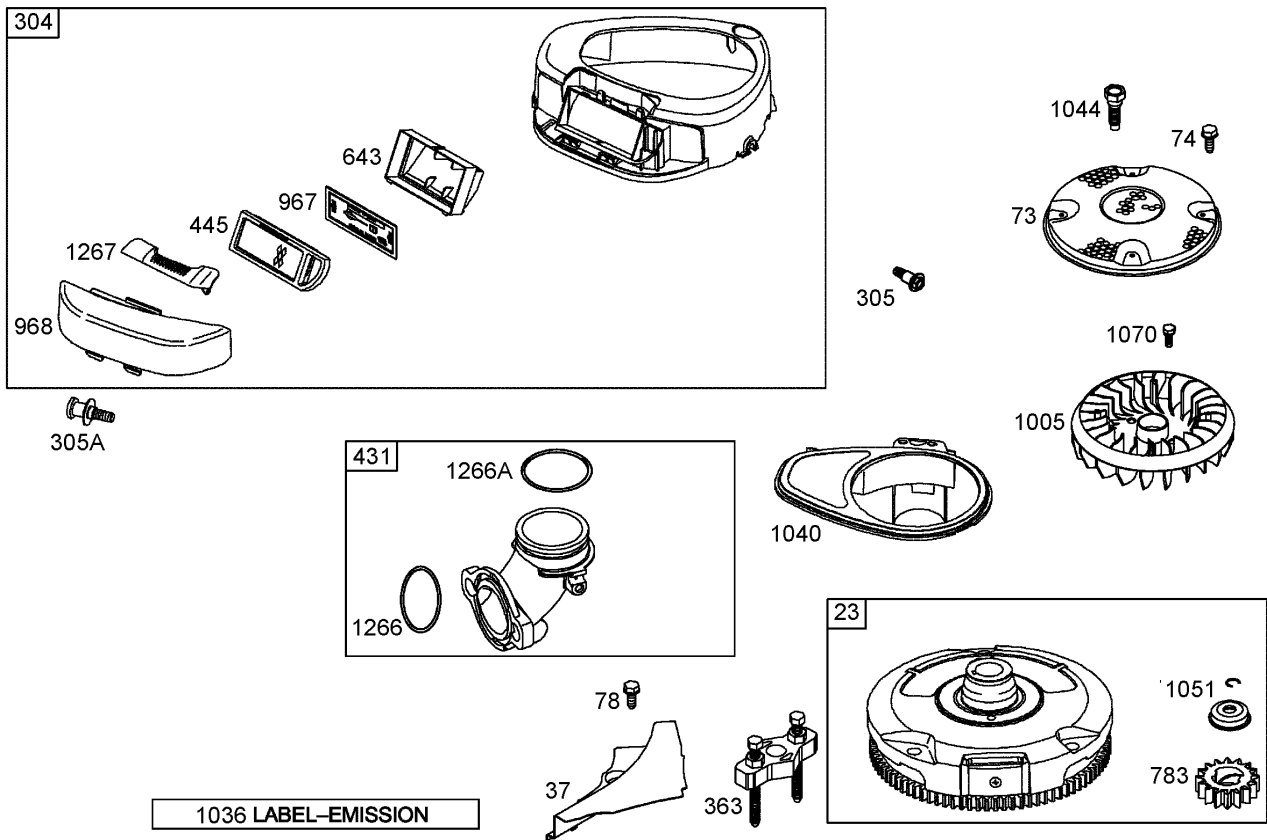
Ref	Part No.	Qty.	Description
④187	699931	1	Line-Fuel (Cut To Required Length)
④240	394358	1	Filter-Fuel
④276	692255	1	Washer-Sealing
④601	95162	1	Clamp-Hose
④634	690801	1	Spring / Seal ASM
④634A	690802	1	Spring And Seal ASM
④654	690958	1	Nut (Carburetor)
④947	694393	1	Solenoid-Fuel
④950	691657	1	Screw (Float Bowl)
④975	495933	1	Bowl-Float
④987	691326	1	Seal-Shaft, Throttle
④1091	691333	1	Cap-Limiter



Governor Assembly Briggs and Stratton 286H77-0165-E1

Ref	Part No.	Qty.	Description
④ 188	691693	1	Screw (Control Bracket)
④ 202	691841	1	Link-Governor, Mechanical
④ 209	692208	1	Spring-Governor
④ 216	691840	1	Link-Choke
④ 222	694042	1	Bracket-Control
④ 227	691374	1	Lever-Control, Governor
④ 232	691842	1	Spring-Link, Governor
④ 265	691024	1	Clamp-Casing
④ 267	695134	1	Screw (Casing Clamp)
④ 333	492341	1	Armature-Magneto
④ 334	691061	1	Screw (Magneto Armature)
④ 356	697089	1	Stop-Wire
④ 474	696457	1	Alternator (Used After Code Date 03021600)
④	696458	1	Alternator (Used Before Code Date 03021700)
④ 501	691188	1	Regulator (Used After Code Date 03021600)
④	691185	1	Regulator (Used Before Code Date 03021700)
④ 505	691251	1	Nut (Governor Control Lever)
④ 526	697088	1	Screw (Used After Code Date 03021600)
④	697348	1	Screw (Used Before Code Date 03021700)
④ 562	691119	1	Bolt (Governor Control Lever)

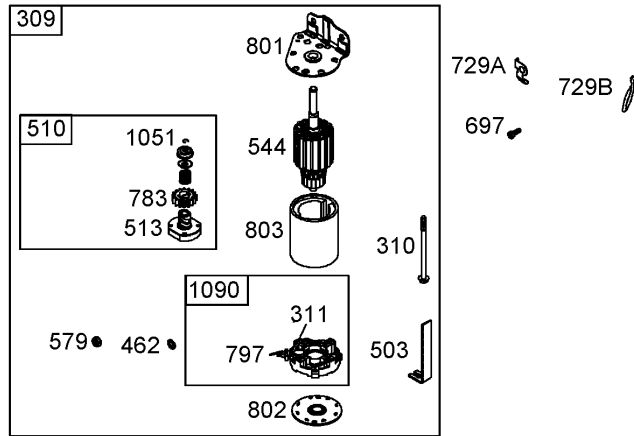
Ref	Part No.	Qty.	Description
④ 729	691335	1	Clip-Wire
④ 789	692037	1	Wiring-Harness
④ 851	692424	1	Terminal-Spark Plug
④ 1059	698516	1	Screw And Washer Kit
④ 1119	691183	1	Screw (Alternator)



Blower Housing Assembly Briggs and Stratton 286H77-0165-E1

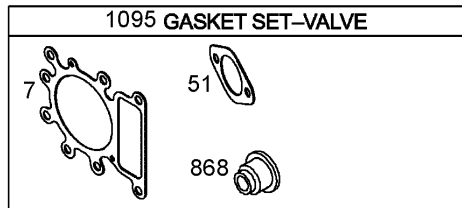
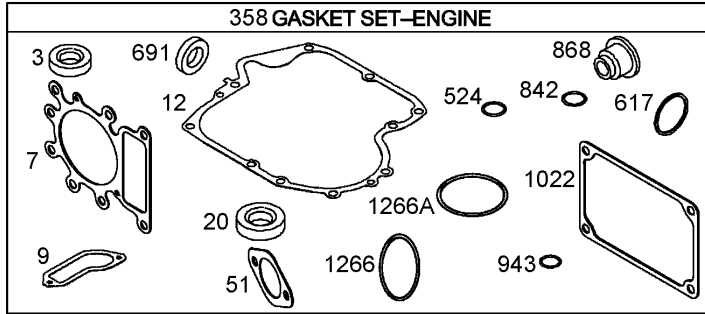
Ref	Part No.	Qty.	Description
④23	693556	1	Flywheel
④37	697352	1	Guard-Flywheel
④73	697133	1	Screen-Rotating
④74	697897	1	Screw (Rotating Screen)
④78	691003	1	Screw (Flywheel Guard)
④304	698599	1	Housing-Blower
④305	697102	1	Screw (Blower Housing)
④305A	697103	1	Screw (Blower Housing)
④363	19203	1	Puller-Flywheel
④431	697122	1	Elbow-Intake
④445	698083	1	Filter-Cartridge, Air Cleaner
④643	698401	1	Retainer-Filter, Air
④783	693713	1	Gear-Pinion
④967	697015	1	Filter-Cleaner, Pre
④968	697084	1	Cover-Cleaner, Air
④1005	699043	1	Fan-Flywheel
④1036	790464	1	Label-Emission (Used After Code Date 04063000)
④	695700	1	Label-Emission (Used Before Code Date 04070100)
④1040	699852	1	Plate-Trim
④1044	698139	1	Screw (Crankshaft Extension)
④1051	691265	1	Ring-Retaining
④1070	690372	1	Screw (Flywheel Fan)

Ref	Part No.	Qty.	Description
④1266	691917	1	Seal-O Ring
④1266A	697123	1	Seal-O Ring
④1267	697419	1	Latch-Housing, Blower



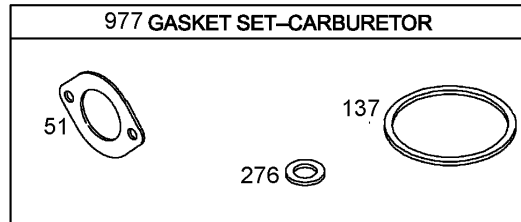
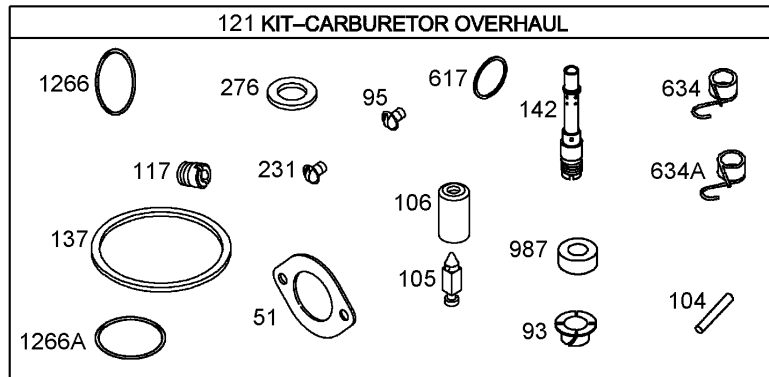
Starter Assembly Briggs and Stratton 286H77-0165-E1

Ref	Part No.	Qty.	Description
④309	693551	1	Motor-Starter
④310	690323	1	Bolt (Starter Motor)
④311	497608	1	Brush Set
④462	691261	1	Washer (Brush Retainer)
④503	691532	1	Strap-Starter
④510	693699	1	Drive-Starter
④513	692024	1	Clutch-Drive
④544	692034	1	Armature-Starter
④579	691029	1	Nut (Brush Retainer)
④697	690372	1	Screw (Drive Cap)
④729A	691224	1	Clip-Wire
④729B	694123	1	Clip-Wire
④783	693713	1	Gear-Pinion
④797	693167	1	Nut (Brush Retainer)
④801	691283	1	Cap-Drive
④802	691286	1	Cap-End
④803	693757	1	Housing-Starter
④1051	691265	1	Ring-Retaining
④1090	691293	1	Retainer-Brush



Gasket Assembly Briggs and Stratton 286H77-0165-E1

Ref	Part No.	Qty.	Description
④3	391086	1	Seal-Oil
④7	273280	1	Gasket-Head, Cylinder
④9	697109	1	Gasket-Breather
④12	697110	1	Gasket-Crankcase
④20	690947	1	Seal-Oil
④51	692137	1	Gasket-Intake
④358	697151	1	Engine Gasket Set
④617	692138	1	Seal-O Ring
④524	691032	1	Seal-O Ring
④691	692407	1	Seal-Shaft, Governor
④842	691031	1	Seal-O Ring
④868	690968	1	Seal-Valve
④943	690589	1	Seal-O Ring
④1022	272475	1	Gasket-Cover, Rocker
④1095	691581	1	Valve Gasket Set
④1266	691917	1	Seal-O Ring
④1266A	697123	1	Seal-O Ring



Carburetor Overhaul Kit Briggs and Stratton 286H77-0165-E1

Ref	Part No.	Qty.	Description
④51	692137	1	Gasket-Intake
④93	690602	1	Bushing-Shaft, Throttle
④95	691636	1	Screw (Throttle Valve)
④104	690525	1	Pin-Hinge, Carburetor Float
④105	231855	1	Valve-Needle, Float
④106	690577	1	Seat-Inlet
④117	694352	1	Jet-Main (STD)
④121	697154	1	Carburetor Overhaul Kit
④137	281165	1	Gasket-Bowl, Float
④142	697140	1	Nozzle-Carburetor
④231	691636	1	Screw (Choke Valve)
④276	692255	1	Washer-Sealing
④617	692138	1	Seal-O Ring
④634	690801	1	Spring / Seal ASM
④634A	690802	1	Spring And Seal ASM
④977	690192	1	Carburetor Gasket Set
④987	691326	1	Seal-Shaft, Throttle
④1266	691917	1	Seal-O Ring
④1266A	697123	1	Seal-O Ring

Attachments and Accessories

For 74330 - TimeCutter Z420 Riding Mower

Product Name	Model/Part
Smooth Caster Wheel Kit	105-1856
Anti-Scalp Roller Kit	106-7027
Tire Chains	107-1738
Armrest Kit	108-6163
42 Inch Twin Bagger	79214
48 Inch Snow Blade	79216
Recycler Kit	79218

NOTES

NOTES

NOTES

