



TimeCutter™ Z380 Riding Mower

Model No. 74402 - 250000001 and up.

Parts Catalog

Ordering Replacement Parts

To order replacement parts, please supply the part number, the quantity, and the description of each part desired.

Understanding Reference Numbers

Each identified part in an illustration has a reference number. The reference number for a part also appears in the parts list, along with other information about the part.

This catalog uses two special reference number formats, one to indicate parts in a service assembly and another to indicate the quantity of a given part in an illustration.

Service Assembly Reference Numbers

Parts in service assemblies have reference numbers in the form a:b. The a represents the reference number of the entire service assembly and the b represents a sequential number unique to each part within the service assembly.

For example, a wheel assembly might be identified by reference number 6, the tire by 6:1, the valve by 6:2, and the wheel by 6:3. When you order the assembly identified by reference number 6, you receive all parts identified by reference numbers 6:1, 6:2, and 6:3. However, you may also order any part individually. Reference numbers of this type appear in illustrations and in part lists.

Reference Numbers Indicating Quantity

In an illustration, if a reference number indicates more than one part, the reference number has the form nX y. The n represents the quantity of the part, the X is the multiplication symbol, and the y represents the reference number.

For example, in an illustration, the reference number 2X 37 means that two of the parts identified by reference number 37 are indicated.

Contents

Description	Page	Description	Page
Frame Assembly	3	Crankshaft Assembly Briggs and Stratton 280h07-0166-e1	20
Seat Assembly	4	Crankcase Assembly Briggs and Stratton 280h07-0166-e1	21
Control Assembly	5	Oil Filter, Tube and Pump Assembly Briggs and Stratton 280h07-0166-e1	22
Hydro and Belt Drive Assembly	6	Carburetor Assembly Briggs and Stratton 280h07-0166-e1	23
LH Hydrostat Assembly Part No. 108-2394	7	Governor Assembly Briggs and Stratton 280h07-0166-e1	24
RH Hydrostat Assembly Part No. 108-2393	9	Blower Housing Assembly Briggs and Stratton 280h07-0166-e1	25
Engine Assembly	11	Starter Assembly Briggs and Stratton 280h07-0166-e1	26
Styling Assembly	12	Gasket Assembly Briggs and Stratton 280h07-0166-e1	27
38 Inch Deck Assembly	13	Carburetor Overhaul Kit Assembly Briggs and Stratton 280h07-0166-e1	28
38 Inch Deck Decal Assembly No. 107-9139	14	Attachments and Accessories List	29
38 Inch Deck Recycler Assembly	15		
38 Inch Deck Spindle and Belt Drive Assembly	16		
Electrical System Assembly	17		
Cylinder Assembly Briggs and Stratton 280h07-0166-e1	18		
Cylinder Head Assembly Briggs and Stratton 280h07-0166-e1	19		

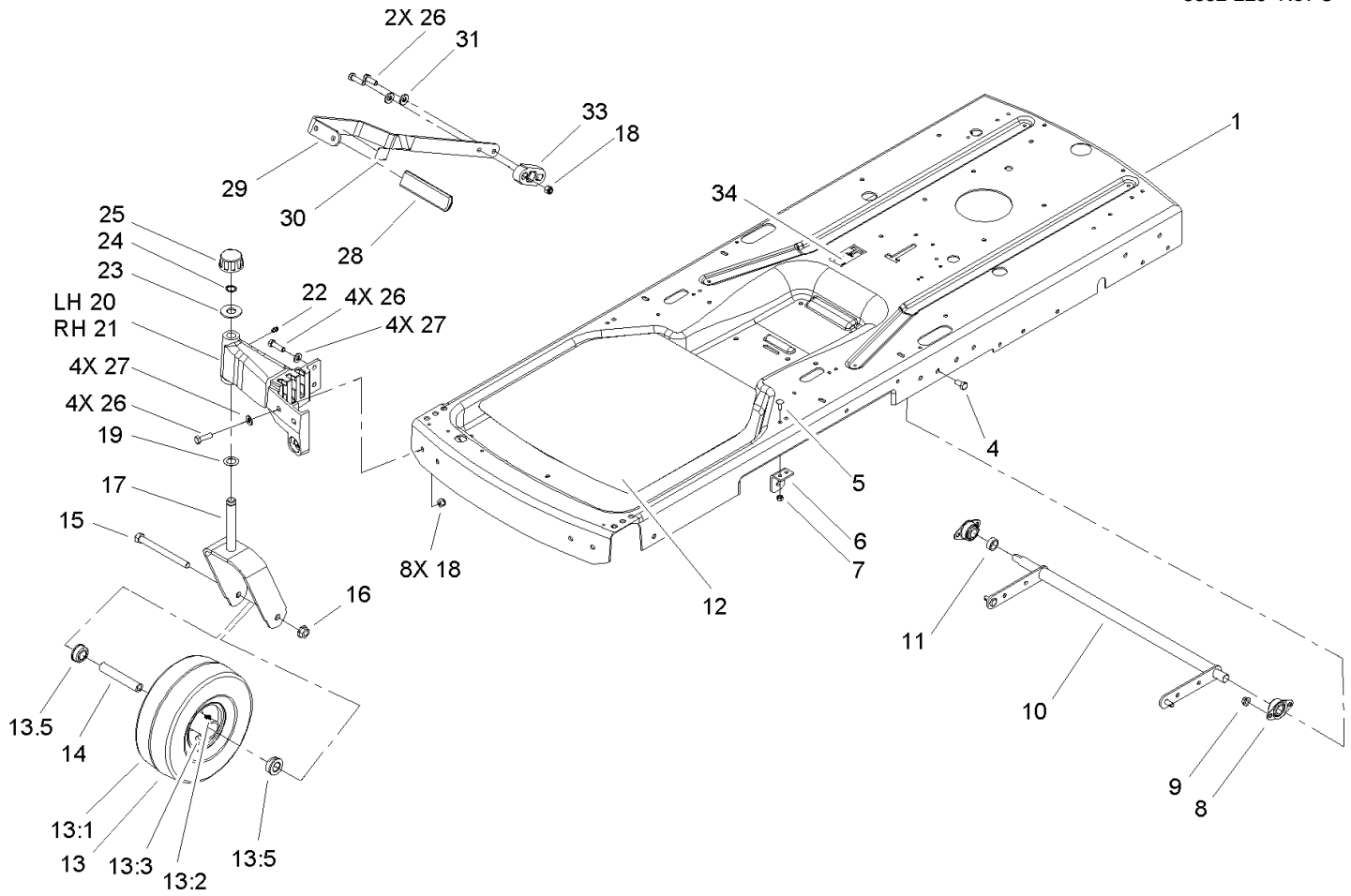
Part Description Abbreviations

Part descriptions in this catalog may include the following abbreviations.

AR. as required	HWHTF. hex washer head thread forming
ASM. assembly	HYD. hydraulic
BBC. blade brake clutch	LH. left hand
CARR. carriage	NI. nylon insert
CCW. counter clock wise	NPTF. national pipe thread fine
CW. clockwise	PFH. phillips flat head
DEG. degrees	PPH. phillips pan head
ECM. electronic control module	PPHTF. phillips pan head thread forming
EXT. external	PRH. phillips round head
FH. flat head	PTH. phillips truss head
GA. gauge	PTO. power-take-off
HD. heavy-duty	RH. right hand
HF. hex flange	ROPS. roll-over protection system
HH. hex head	SFH. slotted fillister head
HHF. hex head flange	SHH. slotted hex head
HHFTF. hex head flange thread forming	SHWH. slotted hex washer head
HJ. hex jam	SPH. slotted pan head
HLH. hex lag head	SQH. square head
HOC. height-of-cut	SRH. slotted round head
HSBH. hex socket button head	STD. standard
HSFH. hex socket flat head	TAP. self tapping
HSH. hex socket head	TTH. torx truss head
HWH. hex washer head	

Footnotes

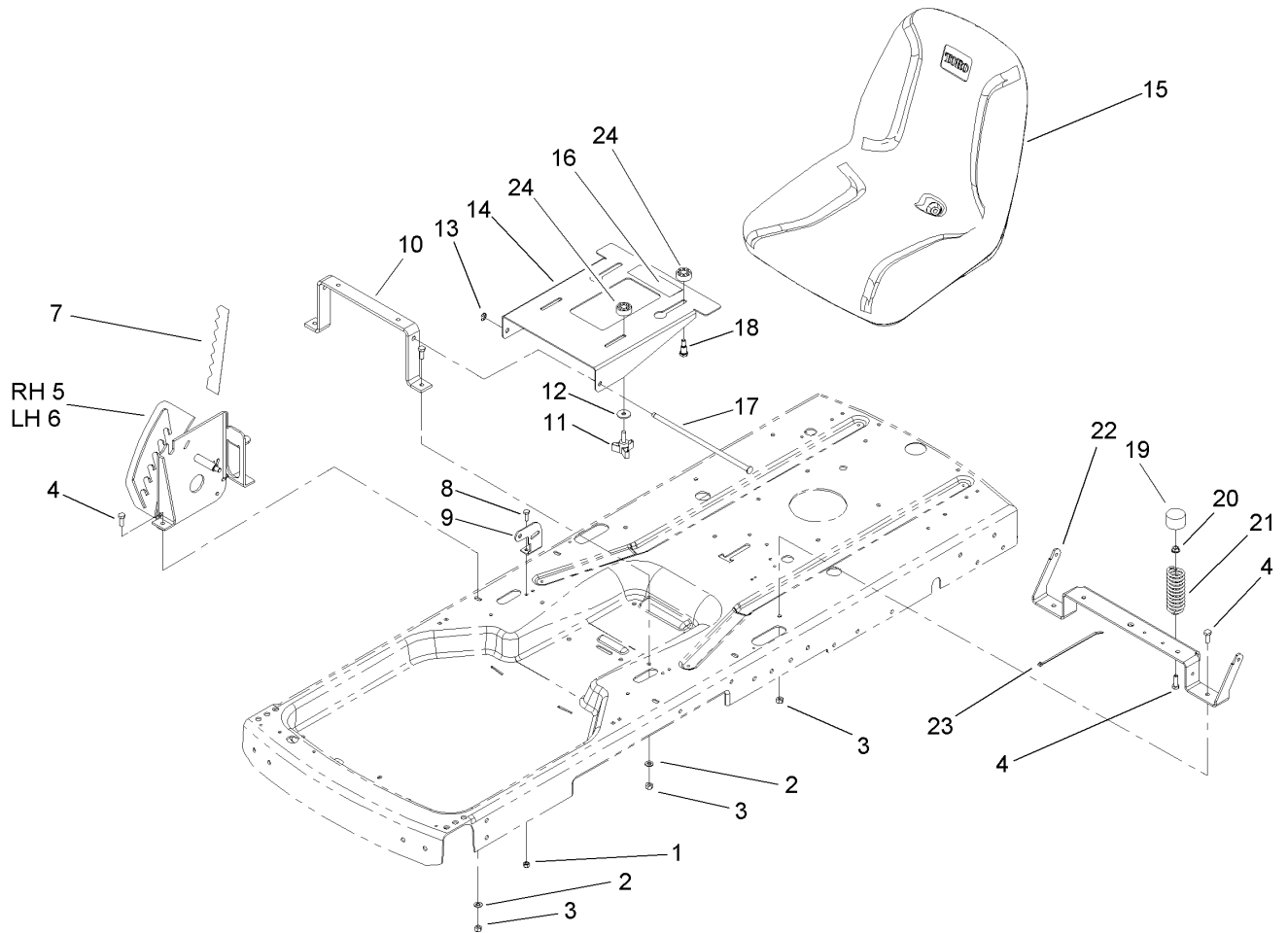
- | | |
|---|--|
| ❶ Not illustrated | ❷ Not serviced separately |
| ❸ Included in Engine Gasket Set-Ref. 358. | ❹ Included in Valve Gasket Set-Ref. 1095. |
| ❺ Included in Carburetor Overhaul Kit-Ref. 121. | ❻ Included in Carburetor Gasket Set-Ref. 977. |
| ❽ Optional Equipment | ❼ Obtain parts from www.briggsandstratton.com |



Frame Assembly

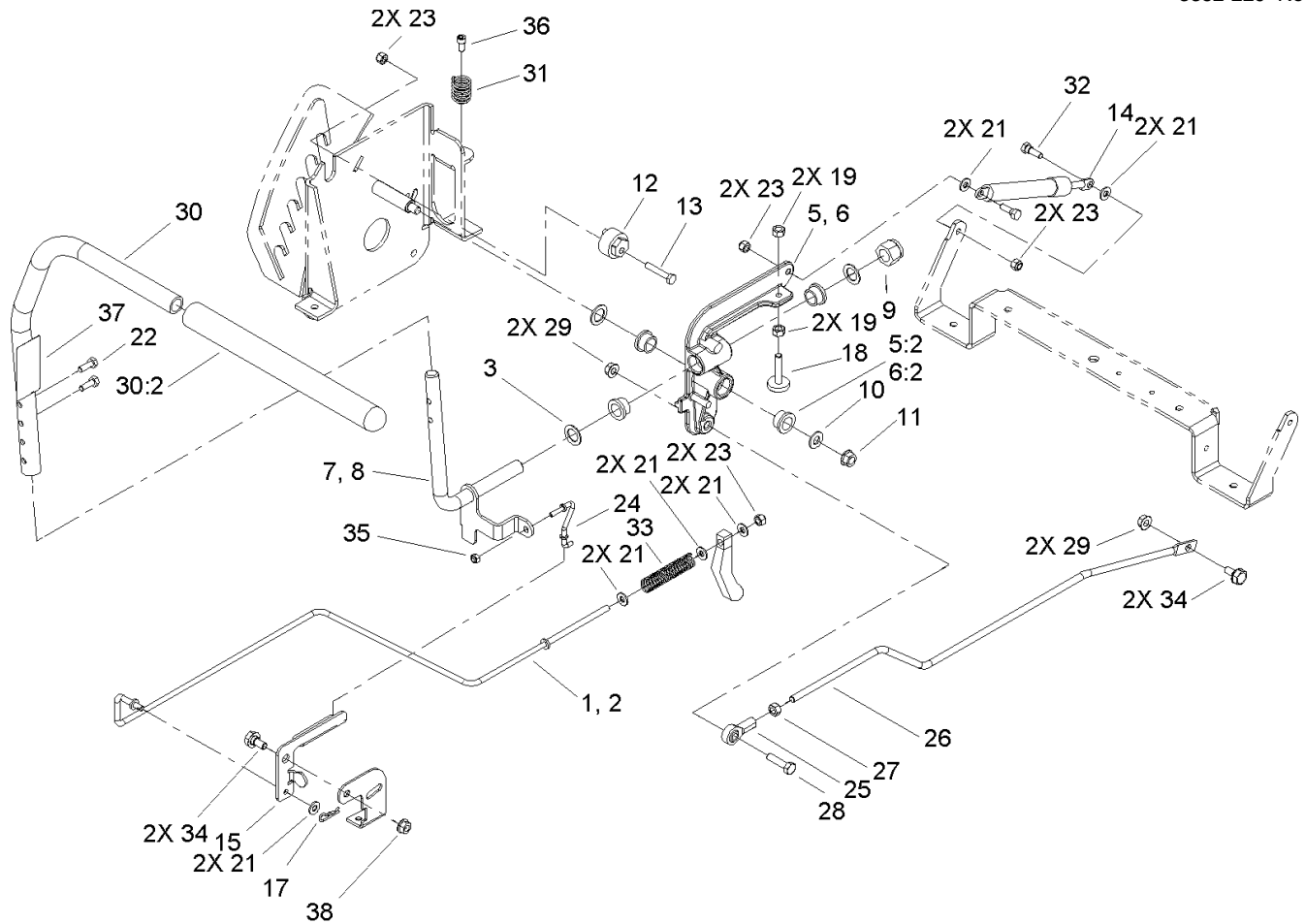
Ref	Part No.	Qty.	Description
1	108-2325-01	1	Frame
4	323-4	4	Screw-HH
5	3229-1	4	Screw-CARR
6	105-3439	2	Bracket-Lift
7	3296-42	4	Nut-Lock, NI
8	1-633102	2	Bearing-Flange, Side
9	3290-357	4	Nut-HHF, Whiz
10	105-3499-03	1	Lift Arm ASM
11	106-2222	1	Spacer
12	105-3460	1	Pad-Antiskid
13	105-3471	2	Front Wheel And Tire ASM
13:1	105-1943	1	Tire
13:2	302-11	1	Fitting-Lube, 45 DEG
13:3	232-27	1	Stem-Valve
13:5	114-1640	2	Bushing-Flange
13:99	93-4244	1	Tube-Inner (W/Valve)
14	104-3667	2	Spanner-Wheel
15	325-22	2	Screw-HH
16	32128-23	2	Nut-HF
17	107-9119-01	2	Castor Fork ASM
18	3296-39	9	Nut-Lock, NI
19	3-6498	2	Washer-Thrust
20	105-6986-01	1	Caster-LH
21	105-6985-01	1	Castor-RH

Ref	Part No.	Qty.	Description
22	302-5	2	Fitting-Grease
23	28-2480	2	Washer-Plain
24	32151-103	2	Ring-Retaining, EXT
25	61-9780	2	Cap-Hub
26	323-18	10	Screw-HH
27	3256-24	8	Washer-Flat
28	105-3450	1	Grip-Lever, Lift
29	108-2317-03	1	Lever-Lift
30	106-8743	1	Decal
31	98-5975	2	Washer-Belleville
33	106-2211	1	Block-Lift
34	108-6109	1	Decal-Transport, Ce



Seat Assembly

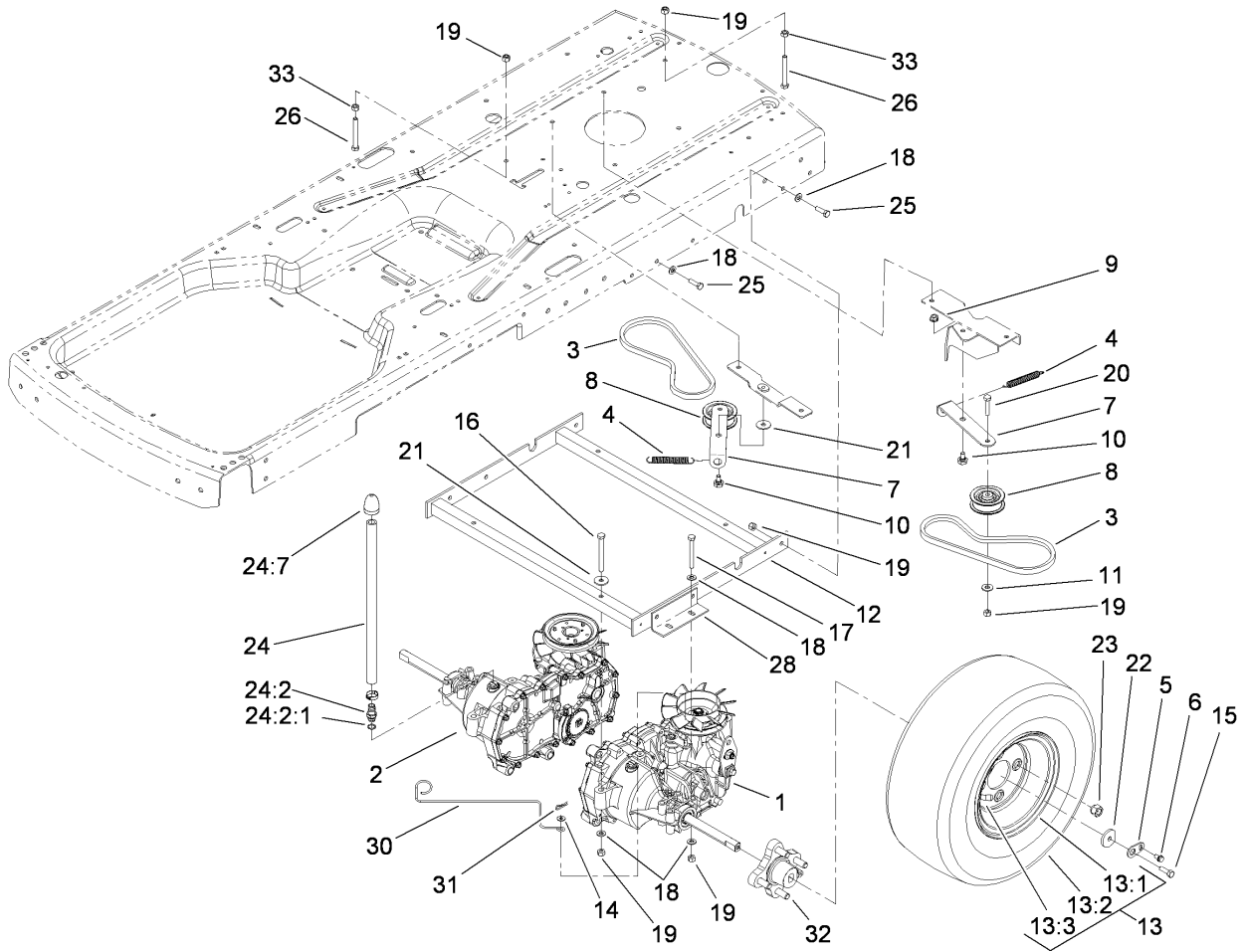
Ref	Part No.	Qty.	Description
1	3296-42	4	Nut-Lock, NI
2	3256-23	6	Washer-Flat
3	3296-29	12	Nut-Lock, NI
4	322-4	14	Screw-HH
5	106-2158-03	1	RH Plate ASM
6	106-2159-03	1	LH Plate ASM
7	106-2223	1	Decal-HOC
8	321-4	4	Screw-HH
9	106-2180	2	Bracket-Bellcrank
10	105-6954-03	1	Brace-Seat, Front
11	106-2240	2	Knob
12	5-4460	2	Washer-Pivot
13	105-7004	1	E-Ring
14	105-6953-03	1	Bracket-Seat
15	108-2329	1	Seat
16	106-8717	1	Decal-Service
17	105-6955	1	Pin-Pivot
18	613529	2	Screw-Shoulder
19	701178	2	Cap-Protector
20	32128-25	2	Nut-HF
21	92-7054	2	Spring-Compression
22	108-2358-03	1	Brace-Seat, Rear
23	614249	1	Strap-Tie
24	107-4902	4	Spacer-Nylon



Control Assembly

Ref	Part No.	Qty.	Description
1	105-7045	1	Rod-Brake, LH
2	105-7044	1	Rod-Brake, RH
3	105-3481	6	Washer-Thrust
5	107-4909	1	LH Activator Arm ASM
5:2	105-3455	4	Bushing
6	107-4910	1	RH Activator Arm ASM
6:2	105-3455	4	Bushing
7	105-3488	1	LH Pivot Shaft ASM
8	105-3487	1	RH Pivot Shaft ASM
9	3296-53	2	Nut-Lock, NI
10	3256-24	2	Washer-Flat
11	3296-59	2	Nut-Lock, NI
12	107-4874	2	Eccentric
13	321-9	2	Screw-HH
14	103-2913	2	Damper-Control, Motion
15	106-2181	2	Bellcrank
17	1-806003	2	Pin-Cotter, Hair
18	105-3486	2	Stop-Adjustment
19	3217-6	4	Nut-Hex
21	3256-22	12	Washer-Flat
22	321-4	4	Screw-HH
23	3296-42	8	Nut-Lock, NI
24	106-2179	2	Link-Brake
25	1-543017	2	Balljoint-RH

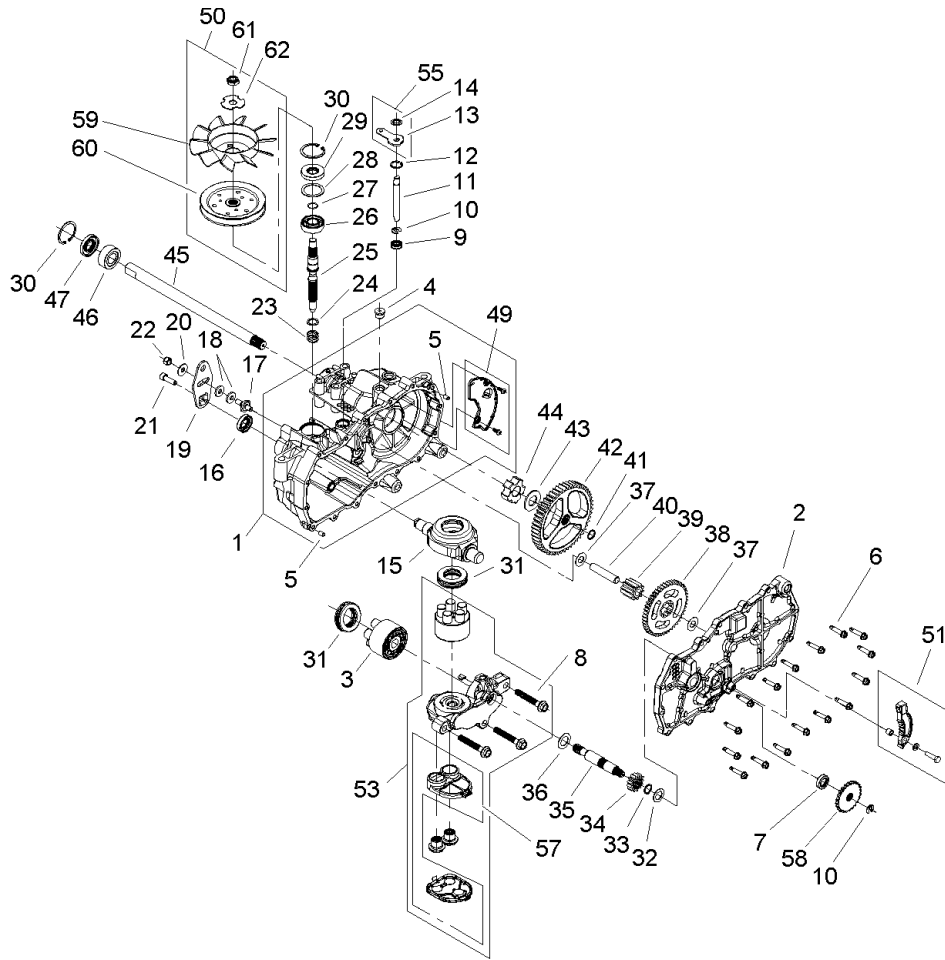
Ref	Part No.	Qty.	Description
26	105-7048	2	Rod-Hydro
27	3219-2	2	Nut-Hex
28	322-6	2	Screw-HH
29	32128-20	4	Nut-HF
30	106-2242	2	Handle ASM
30:2	1-633257	1	Grip-Control, Motion
31	105-3469	2	Spring-Compression
32	106-2214	4	Bolt-Shoulder
33	105-3465	2	Spring-Compression
34	37-8771	4	Bolt-Shoulder
35	3296-2	2	Nut-Lock, NI
36	3274-52	2	Screw-HSH
37	106-8742	2	Decal
38	32128-25	2	Nut-HF



Hydro and Belt Drive Assembly

Ref	Part No.	Qty.	Description
1	108-2394	1	Transaxle-Hydro, LH
2	108-2393	1	Transaxle-Hydro, RH
3	106-2174	2	V-Belt
4	95-3805	2	Spring
5	105-3438	2	Tab-Locking
6	3234-13	2	Screw-HHF
7	105-7047	2	Arm-Idler
8	106-2176	2	Pulley-Idler
9	32128-25	1	Nut-HF
10	37-8770	2	Bolt-Shoulder
11	3256-3	2	Washer-Flat
12	107-4878-03	1	Hydro Mount ASM
13	106-7003	2	Rear Wheel ASM
13:1	242-76	1	Rim
13:2	105-3496	1	Tire
13:3	232-27	1	Stem-Valve
13:99	107-2491	1	Tube-Tire
14	3256-1	2	Washer-Flat
15	3210-5	2	Screw-HH
16	322-20	4	Screw-HH
17	322-13	4	Screw-HH
18	3256-23	18	Washer-Flat
19	3296-29	18	Nut-Lock, NI
20	322-7	2	Screw-HH

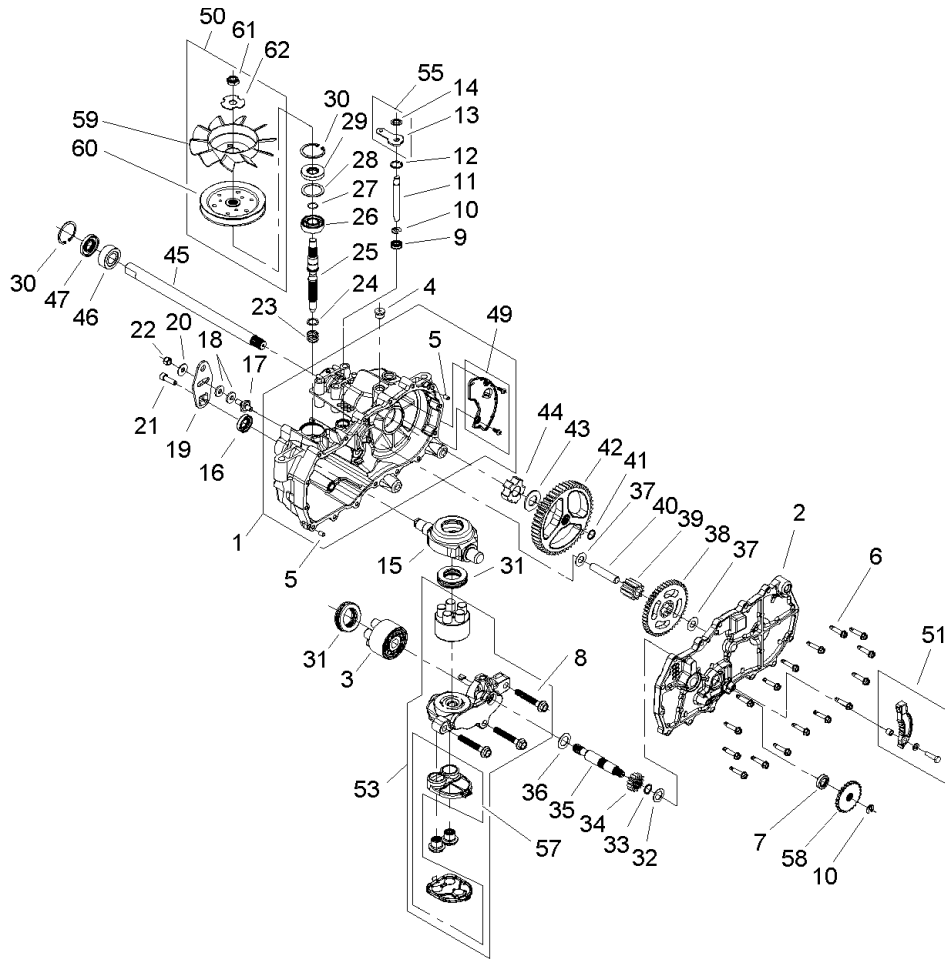
Ref	Part No.	Qty.	Description
21	5-4460	5	Washer-Pivot
22	106-7001	2	Washer-Wheel
23	242-50	8	Nut-Lug
24	106-7002	2	Vent Hose ASM
24:2	93-3818	1	Fitting ASM
24:2:1	93-3816	1	O-Ring
24:7	107-1701	1	Cap Vent ASM
25	322-5	6	Screw-HH
26	322-13	2	Screw-HH
28	105-7039-03	2	Support-Hydro
30	107-4875	2	Rod-Bypass
31	1-806003	2	Pin-Cotter, Hair
32	108-9533	2	Hub ASM
33	3217-6	2	Nut-Hex



LH Hydrostat Assembly Part No. 108-2394

Ref	Part No.	Qty.	Description
1	106-8695	1	RH Main Housing ASM
2	106-8696	1	RH Side ASM
3	104-2106	1	Cylinder Block ASM
4	104-2189	1	Plug-Thread, Straight
5	9004800-2506	2	Pin-Hydrogear
6	104-5305	16	Screw-HHF
7	104-5347	1	Seal-Oil
8	94-6926	3	Bolt
9	106-8676	1	Seal-Lip
10	106-8677	2	Ring-Retaining, EXT
11	106-8678	1	Rod-Bypass
12	106-8679	1	Ring-Retaining, Int
13	107-2490	1	Arm-Bypass
14	106-8681	1	Ring-Retaining, EXT
15	104-5304	1	Swashplate-Trunnion
16	104-5313	1	Seal-Lip
17	104-2116	1	Stud
18	105-1873	2	Puck-Friction
19	106-8747	1	Arm-Control
20	5-4460	1	Washer-Pivot
21	107-2488	1	Screw
22	105-1872	1	Nut
23	94-1936	1	Spring-Block

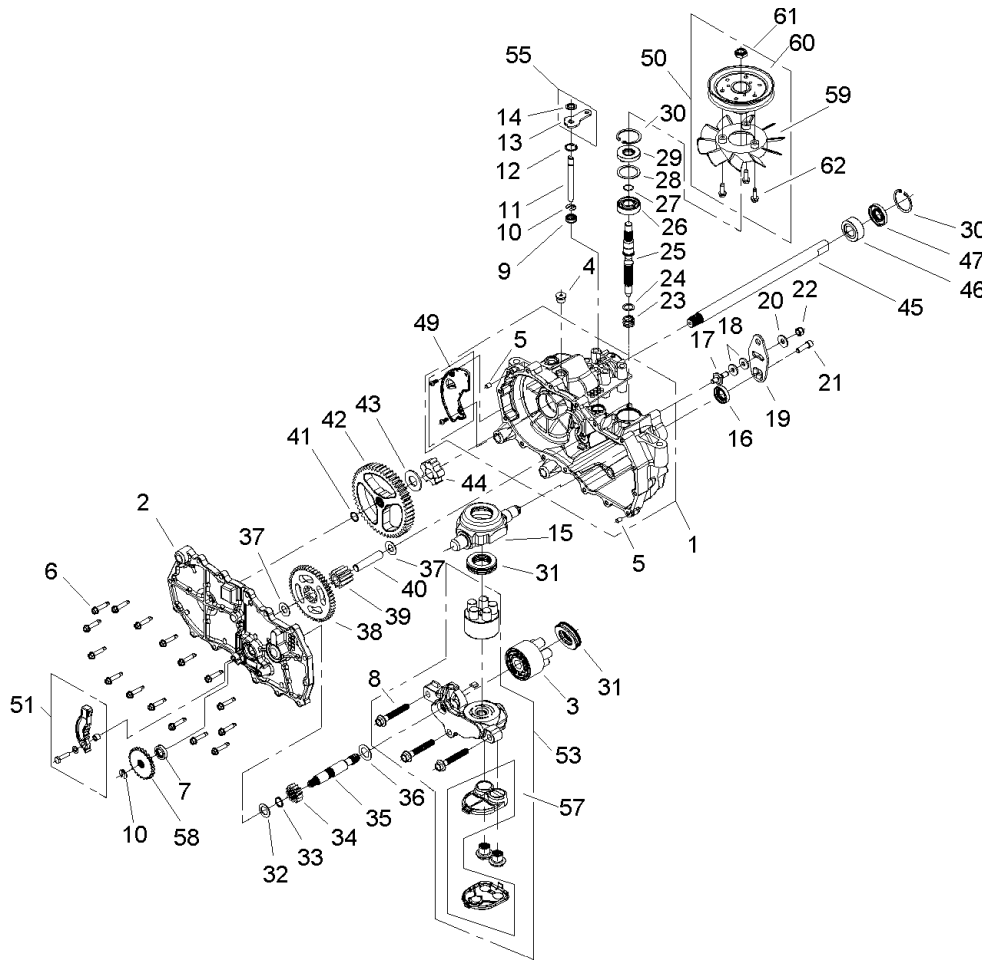
Ref	Part No.	Qty.	Description
24	94-1937	1	Washer-Thrust, Block
25	104-5306	1	Shaft-Input
26	104-5311	1	Bearing-Ball
27	104-5307	1	Ring-Retaining
28	104-5308	1	Spacer
29	104-5310	1	Seal-Lip
30	104-5309	2	Ring-Retaining
31	94-6922	2	Bearing-Thrust
32	104-5339	1	Washer-Flat
33	104-5340	1	Ring-Retaining
34	104-5316	1	Gear-Pinnion, 13T
35	106-8683	1	Shaft-Motor
36	104-5360	1	Washer-Shaft, Motor
37	94-1933	2	Washer
38	104-5317	1	Gear
39	104-5318	1	Gear-Jackshaft, 10T
40	104-5329	1	Pin-Jackshaft
41	104-5328	1	Ring-Retaining, Spiral
42	106-8684	1	Gear-Bull, 52T
43	94-1943	1	Washer
44	104-5320	1	Bearing-Sleeve
45	106-8685	1	Axle
46	104-5321	1	Bearing-Sleeve, Outboard
47	104-5322	1	Seal-Lip



LH Hydrostat Assembly Part No. 108-2394 (continued)

Ref	Part No.	Qty.	Description
●48	106-8686	1	Seal Kit
49	106-8697	1	RH Expansion Plate Kit
50	106-8698	1	Fan Pulley Kit
51	106-8688	1	Brake Arm Kit
53	108-6190	1	RH 7-Piston Center Section Kit
●54	104-2147	1	Sealant
55	107-2489	1	Bypass Arm Kit
57	106-8693	1	Filter Kit
58	106-8694	1	Disc-Brake, Cog
59	110-8566	1	Fan-6 Inch, 10 Blade
60	104-1754	1	Pulley
61	105-1875	1	Nut-Lock
62	107-9122	3	Washer-Slotted

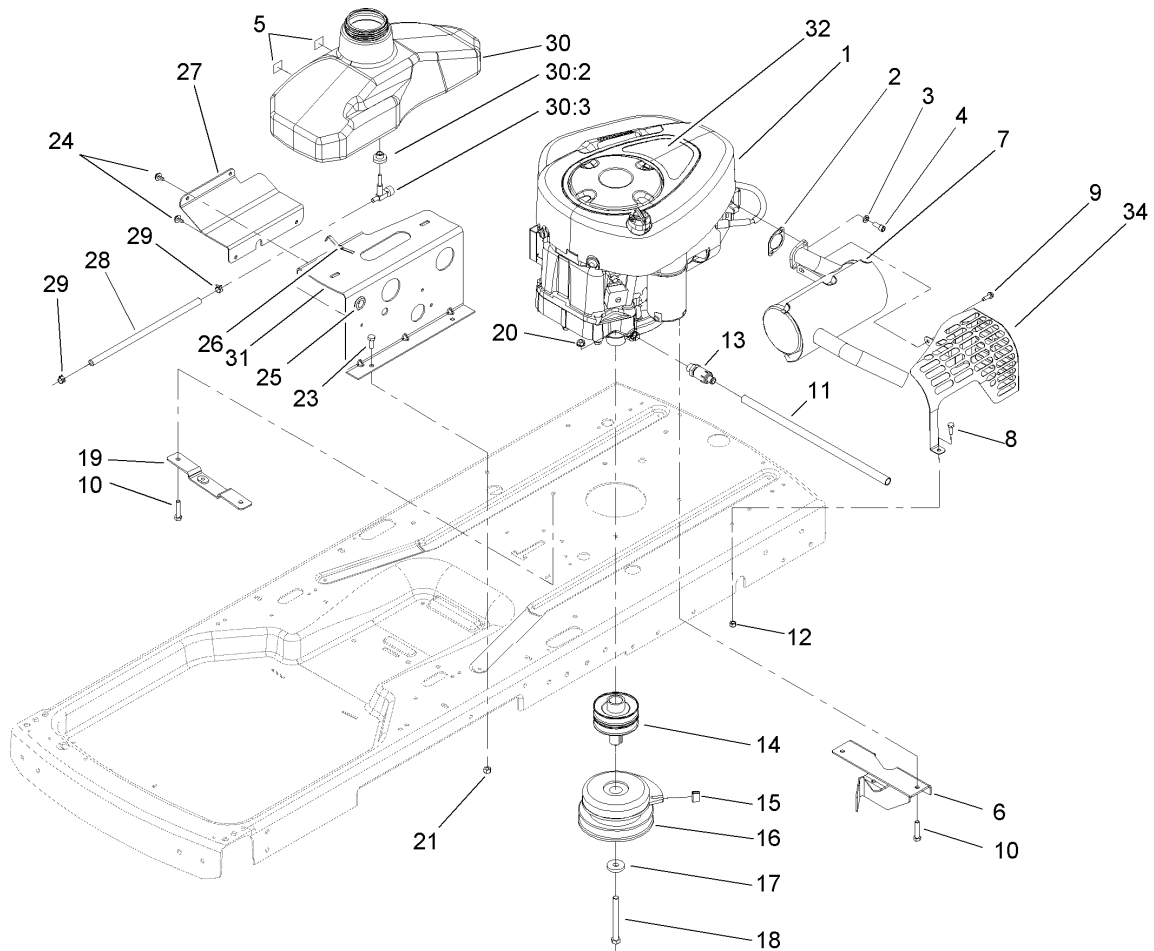
--	--	--	--



RH Hydrostat Assembly Part No. 108-2393

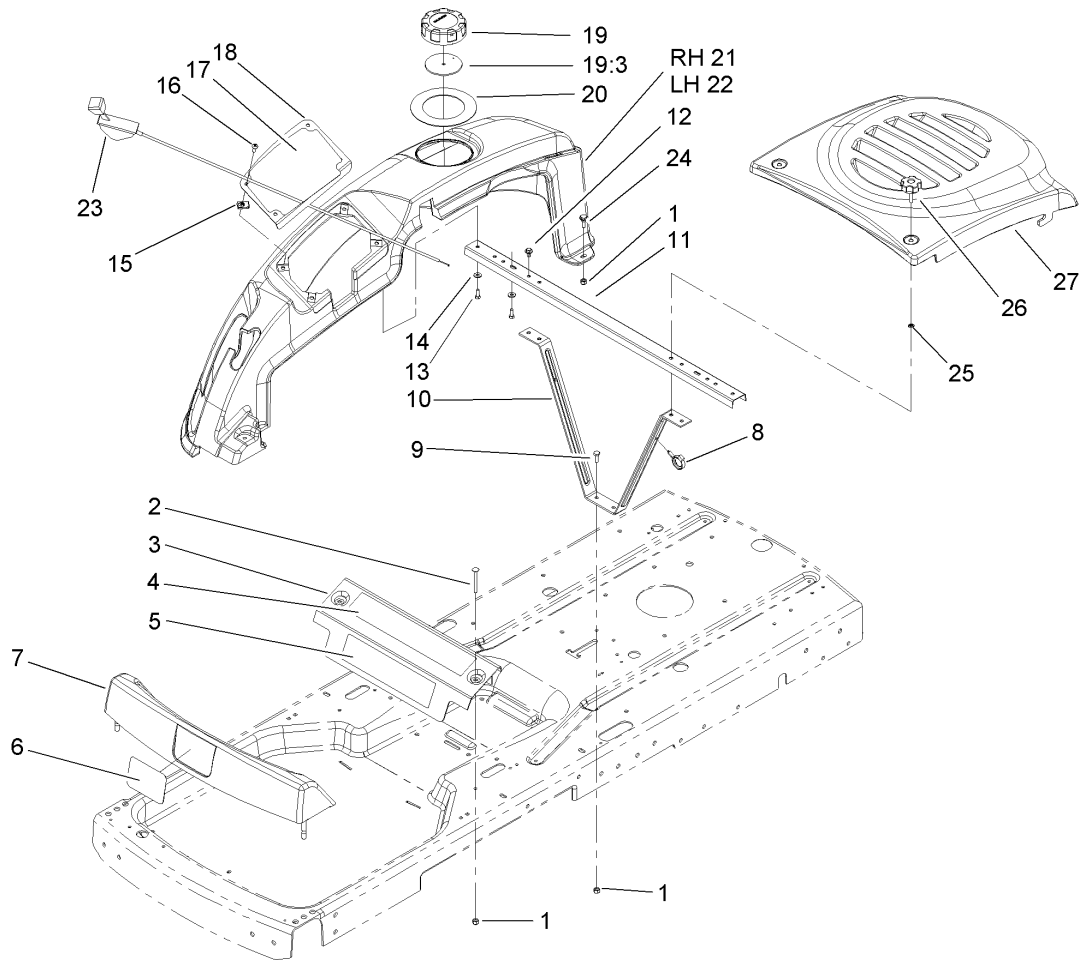
Ref	Part No.	Qty.	Description
1	106-8674	1	LH Main Housing ASM
2	106-8675	1	LH Side ASM
3	104-2106	1	Cylinder Block ASM
4	104-2189	1	Plug-Thread, Straight
5	9004800-2506	2	Pin-Hydrogear
6	104-5305	16	Screw-HHF
7	104-5347	1	Seal-Oil
8	94-6926	3	Bolt
9	106-8676	1	Seal-Lip
10	106-8677	2	Ring-Retaining, EXT
11	106-8678	1	Rod-Bypass
12	106-8679	1	Ring-Retaining, Int
13	107-2490	1	Arm-Bypass
14	106-8681	1	Ring-Retaining, EXT
15	104-5304	1	Swashplate-Trunnion
16	104-5313	1	Seal-Lip
17	104-2116	1	Stud
18	105-1873	2	Puck-Friction
19	106-8747	1	Arm-Control
20	5-4460	1	Washer-Pivot
21	107-2488	1	Screw
22	105-1872	1	Nut
23	94-1936	1	Spring-Block

Ref	Part No.	Qty.	Description
24	94-1937	1	Washer-Thrust, Block
25	104-5306	1	Shaft-Input
26	104-5311	1	Bearing-Ball
27	104-5307	1	Ring-Retaining
28	104-5308	1	Spacer
29	104-5310	1	Seal-Lip
30	104-5309	2	Ring-Retaining
31	94-6922	2	Bearing-Thrust
32	104-5339	1	Washer-Flat
33	104-5340	1	Ring-Retaining
34	104-5316	1	Gear-Pinnion, 13T
35	106-8683	1	Shaft-Motor
36	104-5360	1	Washer-Shaft, Motor
37	94-1933	2	Washer
38	104-5317	1	Gear
39	104-5318	1	Gear-Jackshaft, 10T
40	104-5329	1	Pin-Jackshaft
41	104-5328	1	Ring-Retaining, Spiral
42	106-8684	1	Gear-Bull, 52T
43	94-1943	1	Washer
44	104-5320	1	Bearing-Sleeve
45	106-8685	1	Axle
46	104-5321	1	Bearing-Sleeve, Outboard
47	104-5322	1	Seal-Lip



Engine Assembly

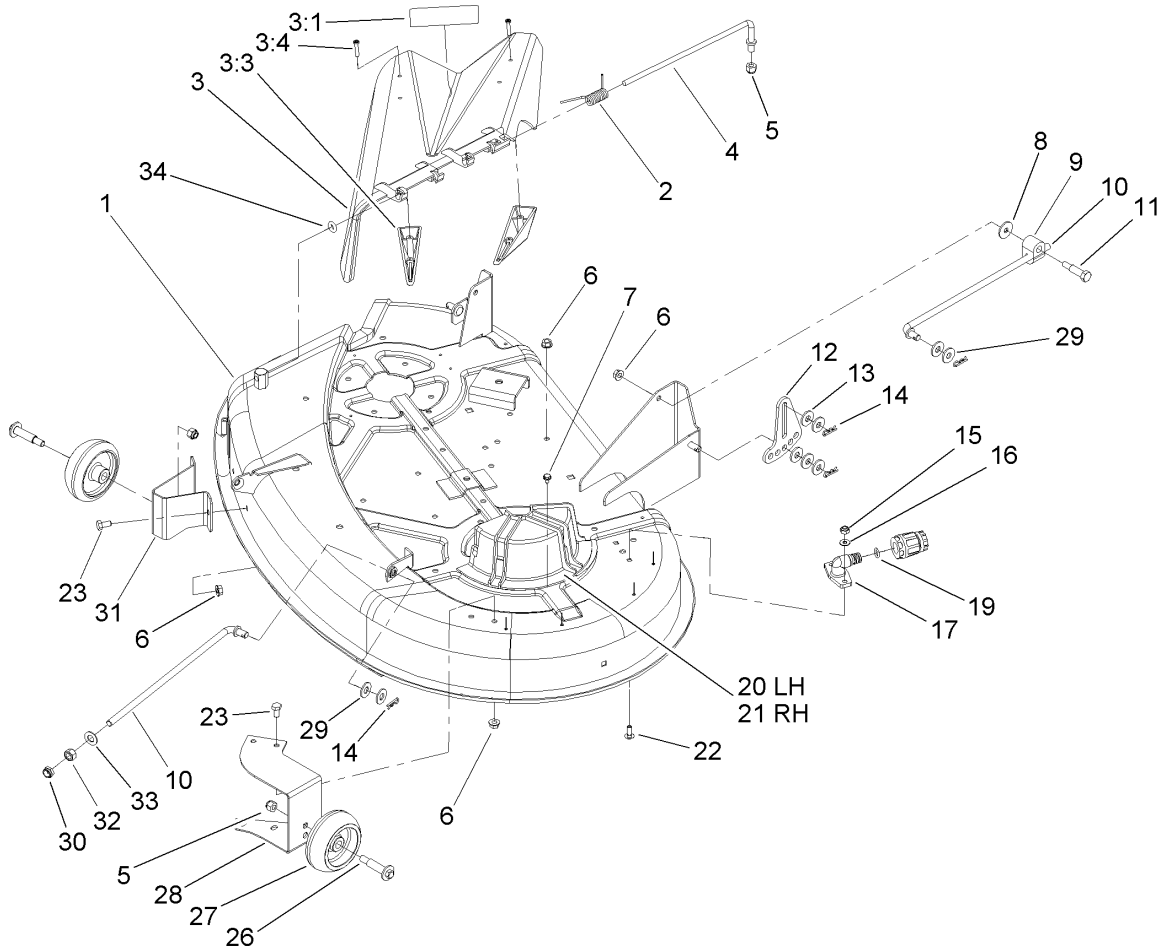
Ref	Part No.	Qty.	Description	Ref	Part No.	Qty.	Description
1		1	Engine-Briggs And Stratton, 280H07-0166-E1	25	237-124	1	Grommet
2	88-4410	1	Gasket-Exhaust	26	609830	2	Spring
3	3253-4	2	Washer-Lock	27	108-2315-03	1	Plate-Support
4	3274-10	2	Screw-HSH	28	106-8720	1	Hose-Fuel
5	104-2488	2	Foam-Switch, Seat	29	2412-98	2	Clamp
6	107-4873	1	Bracket-Pivot	30	105-3464	1	Gas Tank ASM
7	106-7007	1	Muffler	30:2	46-6560	1	Bushing
8	321-4	1	Screw-HH	30:3	104048	1	Valve-Fuel
9	32144-44	2	Screw-HWH	31	108-2314-03	1	Plate-Tank
10	322-7	4	Screw-HH	32	107-4924	1	Decal
11	106-7022	1	Tube-Drain, Oil	34	106-7028-03	1	Guard-Muffler
12	3296-42	1	Nut-Lock, NI				
13	92-6877	1	Valve-Drain, Oil				
14	105-3472	1	Pulley-Engine				
15	98-5023	1	Bumpon				
16	105-3462	1	Clutch-Electric				
17	112843	1	Washer				
18	3212-16	1	Screw-HH				
19	106-2156	1	Plate-Mount, Idler				
20	32128-25	4	Nut-HF				
21	3296-29	2	Nut-Lock, NI				
23	322-4	2	Screw-HH				
24	46-8560	4	Screw-HHF				



Styling Assembly

Ref	Part No.	Qty.	Description
1	3296-42	6	Nut-Lock, NI
2	3229-7	2	Screw-CARR
3	106-2164-03	1	Bracket-Support, Front
4	107-2514	1	Decal-Danger
5	108-7127	1	Decal
6	105-6971	2	Decal
7	105-6965	1	Footrest ASM
8	105-1853	2	Clamp-Hose
9	321-4	2	Screw-HH
10	106-6994-03	1	Brace ASM
11	108-2313-03	1	Channel-Cross
12	46-8560	2	Screw-HHF
13	46-8090	4	Screw-Plastite
14	3256-22	4	Washer-Flat
15	107069	4	Clip
16	3258-166	4	Screw-PRH
17	106-2224	1	Decal-Control
18	106-2167-03	1	Panel-Control
19	88-3980	1	Gas Cap ASM
19:3	88-4010	1	Gasket-Cap, Gas
20	106-7042	1	Seal-Rubber
21	106-2161	1	Cover-Side, RH
22	106-2162	1	Cover-Side, LH
23	104-3626	1	Cable-Throttle

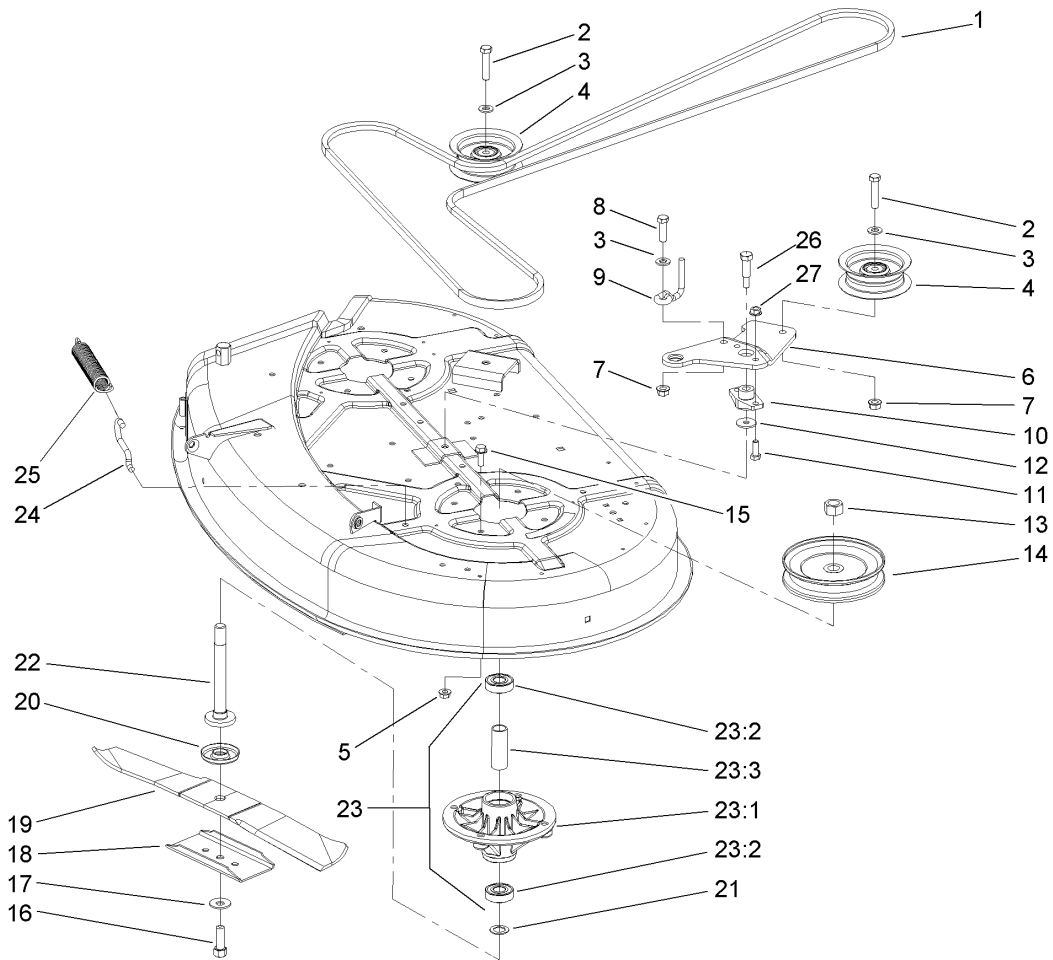
Ref	Part No.	Qty.	Description
24	11-9030	2	Screw-Shoulder
25	106-8737	2	Nut-Retainer
26	106-7017	2	Knob
27	106-2163	1	Cover-Hood



38 Inch Deck Assembly

Ref	Part No.	Qty.	Description
1	107-9139	1	38 Inch Deck ASM
2	57-6950	1	Spring
3	93-7695	1	Deflector ASM
3:1	93-7010	1	Decal-Danger
3:3	93-7696	2	Kicker
3:4	93-0231	4	Screw-PPH
4	95-1661	1	Rod-Pivot
5	3296-39	3	Nut-Lock, NI
6	32128-25	8	Nut-HF
7	32104-76	5	Screw
8	5-4460	2	Washer-Pivot
9	88-4230	2	Trunnion-HOC
10	105-3437	4	Rod-Hanger
11	7-0030	2	Screw-Shoulder, HH
12	88-5570-03	2	Link-Adjusting, HOC
13	80-6990	10	Washer-Hardened
14	9335054	8	Pin-Hair
15	3296-16	2	Nut-Lock, NI
16	3256-1	2	Washer-Flat
17	95-2747	1	Fitting-Washout
19	46-6290	1	O-Ring, Seal
20	88-4030	1	Guide-Belt, LH
21	88-4020	1	Guide-Belt, RH
22	3229-1	2	Screw-CARR

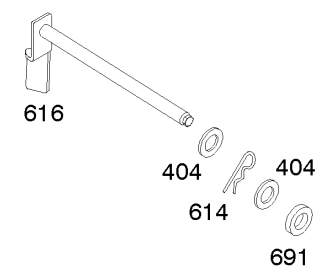
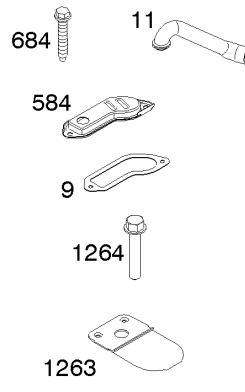
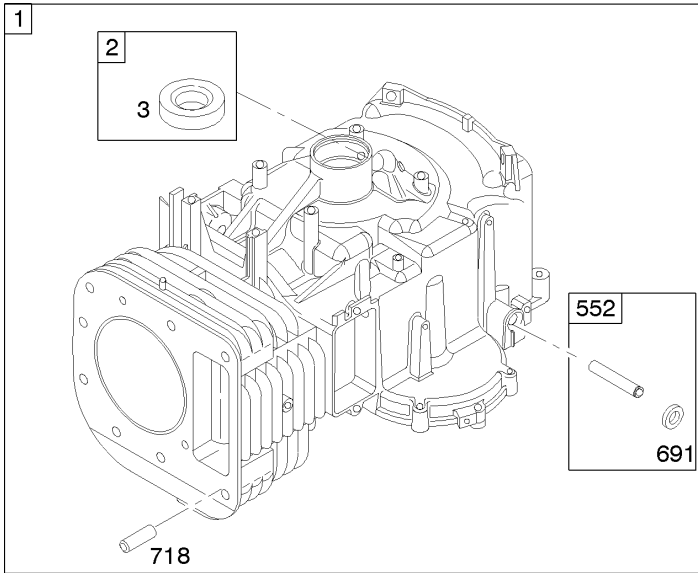
Ref	Part No.	Qty.	Description
23	322-2	6	Screw-HH
26	56-6591	2	Screw-Shoulder, HWH
27	701756	2	Wheel-Gage
28	107-1717-01	1	Bracket-Wheel, Gage (Front, LH)
29	3256-4	8	Washer-Flat
30	3296-38	2	Nut-Lock, NI
31	106-8704-01	1	Bracket-Wheel, Gage (Front, RH)
32	3219-4	2	Nut-Hex
33	3256-25	2	Washer-Flat
34	106-8745	1	O-Ring



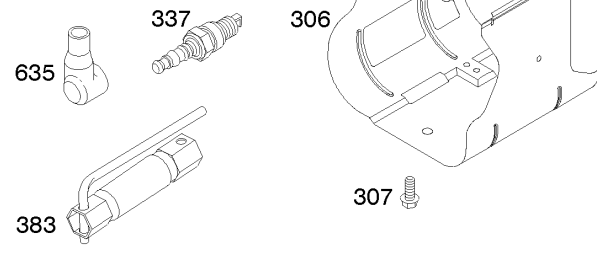
38 Inch Deck Spindle and Belt Drive Assembly

Ref	Part No.	Qty.	Description
1	106-2173	1	Belt-V
2	323-9	2	Screw-HH
3	3256-24	3	Washer-Flat
4	106-2175	2	Pulley-Idler, Flat
5	32128-25	1	Nut-HF
6	107-2467-03	1	Arm-Idler
7	32128-21	2	Nut-HF
8	323-7	1	Screw-HH
9	107-7307	1	Guide-Idler, Belt
10	88-4980	1	Bushing-Arm, Idler
11	322-4	2	Screw-HH
12	5-4460	1	Washer-Pivot
13	3219-6	2	Nut-Hex
14	88-5330	2	Pully ASM
15	32144-41	8	Screw-Taptite
16	26-0671	2	Screw-HH
17	3290-465	2	Washer-Belleville
18	80-0510-03	2	Stiffener-Blade
19	79-3061-03	2	Blade-Recycling
20	80-4360	2	Shield-Bearing
21	80-4380	2	Spacer
22	80-4341	2	Shaft-Spindle
23		2	Spindle ASM
23:1	88-4510	1	Housing-Spindle

Ref	Part No.	Qty.	Description
23:2	100-1048	2	Bearing-Ball
23:3	62-3661	1	Spacer
24	88-5970	1	Hook-Return, Spring
25	106-2177	1	Spring-Extension
26	7-0030	1	Screw-Shoulder, HH
27	3296-29	2	Nut-Lock, NI



1019 LABEL KIT

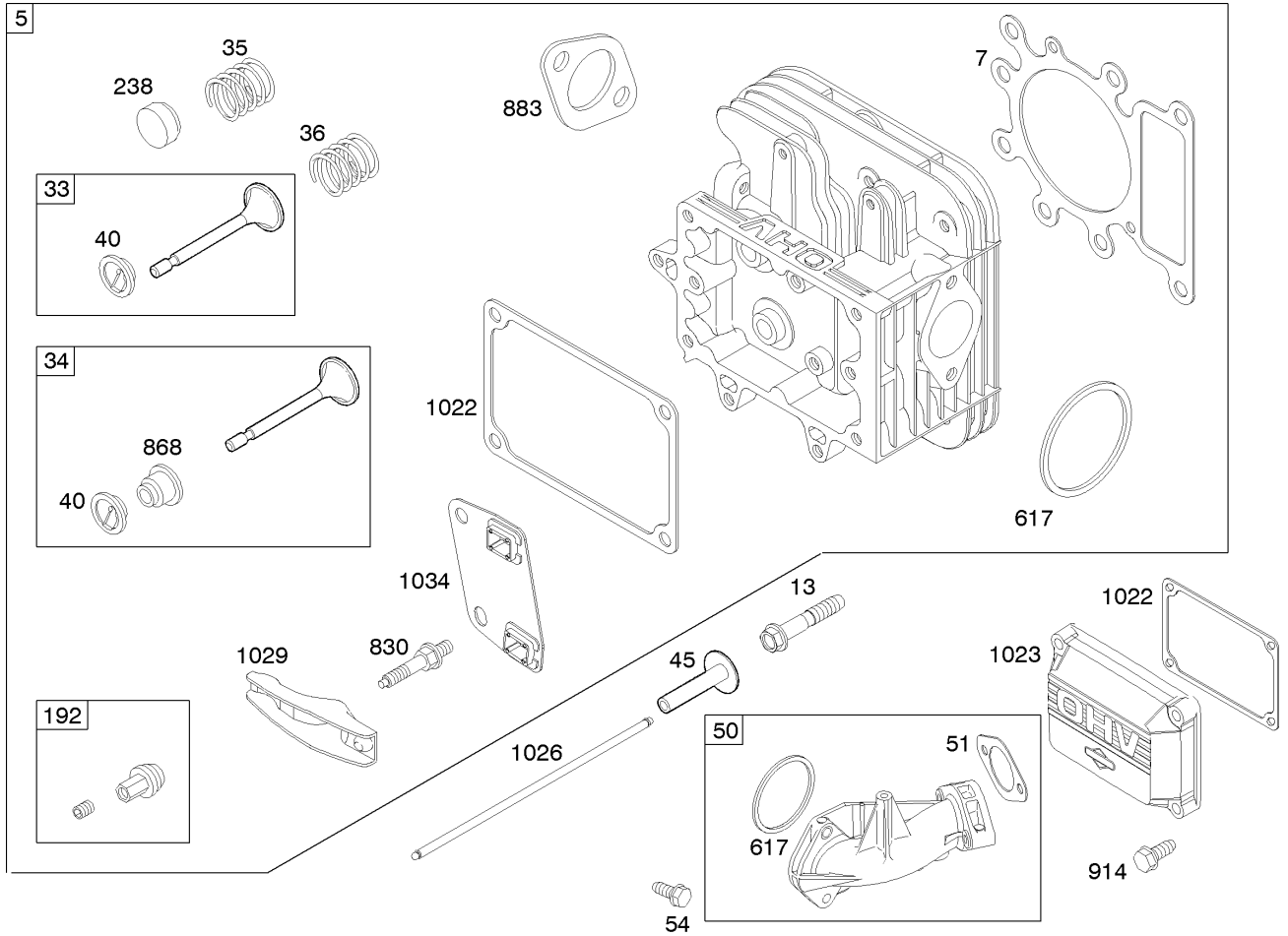


Assemblies include all parts shown in frames.

Cylinder Assembly

Briggs and Stratton 280h07-0166-e1

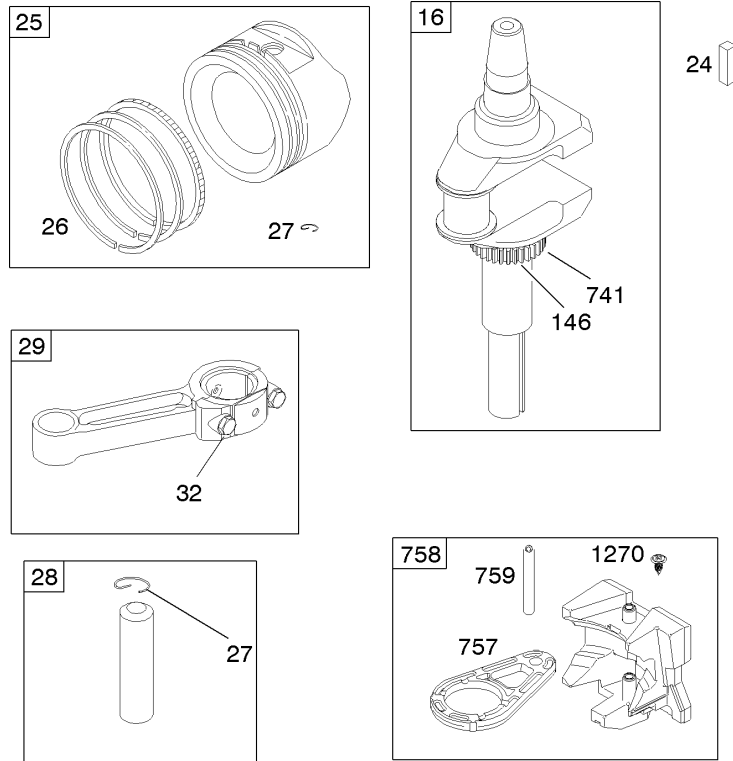
Ref	Part No.	Qty.	Description
1	697132	1	Cylinder ASM
2	399265	1	Bushing And Seal Kit
3	391086	1	Seal-Oil
9	697109	1	Gasket-Breather
11	697113	1	Tube-Breather
48	697761	1	Short Block
306	697107	1	Shield-Cylinder
307	691003	1	Screw
337	691043	1	Spark Plug
383	89838	1	Wrench-Plug, Spark
404	691691	1	Washer
552	697144	1	Bushing-Crank, Governor
584	697112	1	Cover-Passage, Breather
614	691620	1	Pin-Cotter
616	692012	1	Crank-Governor
635	691909	1	Boot-Spark Plug
684	697157	1	Screw
691	692407	1	Seal-Shaft, Governor
718	690959	1	Pin-Locating
1019	697143	1	Label Kit
1263	697124	1	Reed-Breather
1264	697104	1	Screw



Cylinder Head Assembly Briggs and Stratton 280h07-0166-e1

Ref	Part No.	Qty.	Description
5	698148	1	Head-Cylinder
7	273280	1	Gasket-Head, Cylinder
13	690360	1	Screw
33	695760	1	Valve-Exhaust
34	695761	1	Valve-Intake
35	691279	1	Spring-Valve
36	691279	1	Spring-Valve
40	691752	1	Retainer-Valve
45	690564	1	Tappet-Valve
50	690193	1	Manifold-Intake
51	692137	1	Gasket-Intake
54	691148	1	Screw
192	691986	1	Adjustor-Arm, Rocker
238	691843	1	Cap-Valve
617	692138	1	Seal-O Ring
830	691095	1	Stud-Arm, Rocker
868	690968	1	Seal-Valve
883	692236	1	Gasket-Exhaust
914	690960	1	Screw
1022	272475	1	Gasket-Cover, Rocker
1023	692492	1	Cover-Rocker

Ref	Part No.	Qty.	Description
1026	692003	1	Rod-Push
1026	692011	1	Rod-Push
1029	691751	1	Arm-Rocker
1034	690822	1	Guide-Rod, Push

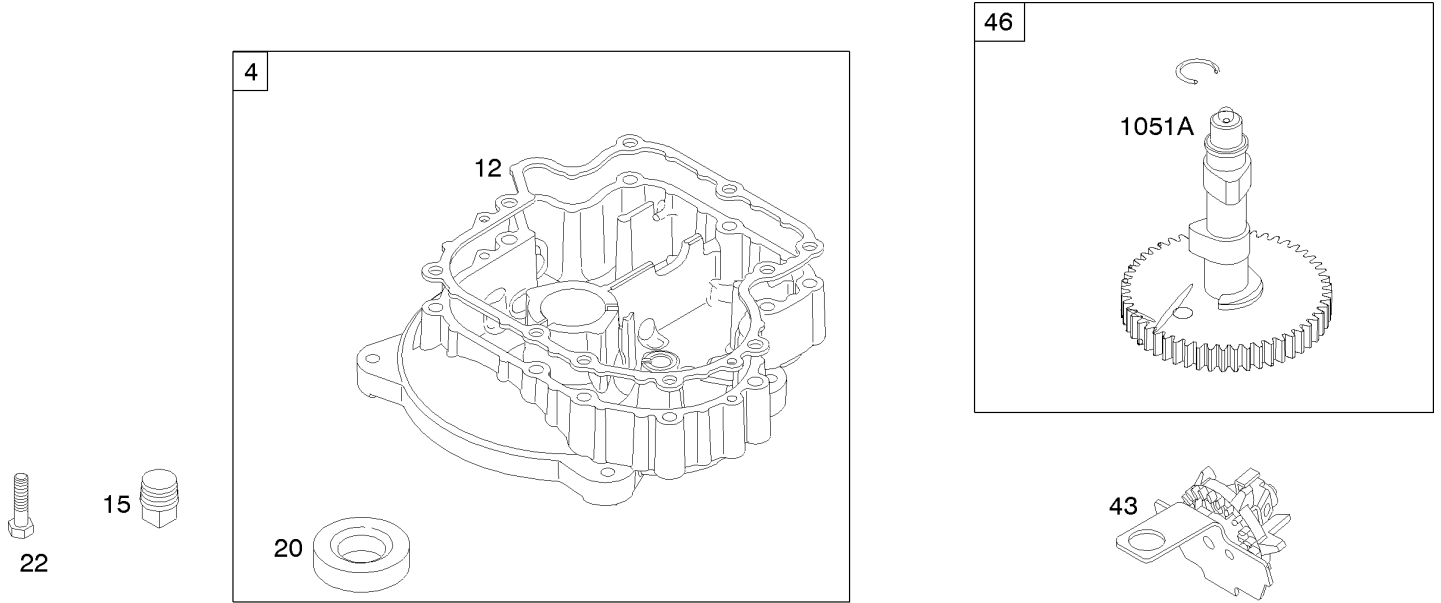


Assemblies include all parts shown in frames.

Crankshaft Assembly Briggs and Stratton 280h07-0166-e1

Ref	Part No.	Qty.	Description
③ 16	697127	1	Crankshaft
③ 24	222698	1	Key
③ 25	698371	1	Piston ASM (Standard)
③	698393	1	Piston ASM (.010 Oversize)
③	698394	1	Piston ASM (.020 Oversize)
③	698395	1	Piston ASM (.030 Oversize)
③ 26	697375	1	Ring Set (Standard)
③	698396	1	Ring Set (.010 Oversize)
③	698397	1	Ring Set (.020 Oversize)
③	698398	1	Ring Set (.030 Oversize)
③ 27	698469	1	Lock-Pin, Piston
③ 28	697099	1	Pin-Piston (STD)
③ 29	697126	1	Rod-Connecting (Standard)
③	697263	1	Rod-Connecting (.020In Undersize)
③ 32	692852	1	Screw
③ 146	691639	1	Key-Timing
③ 741	697128	1	Gear-Timing
③ 757	697607	1	Link-Counterweight
③ 758	697134	1	Counterweight
③ 759	697392	1	Pin-Counterweight
③ 1270	697156	1	Plug-Counterweight, Avs

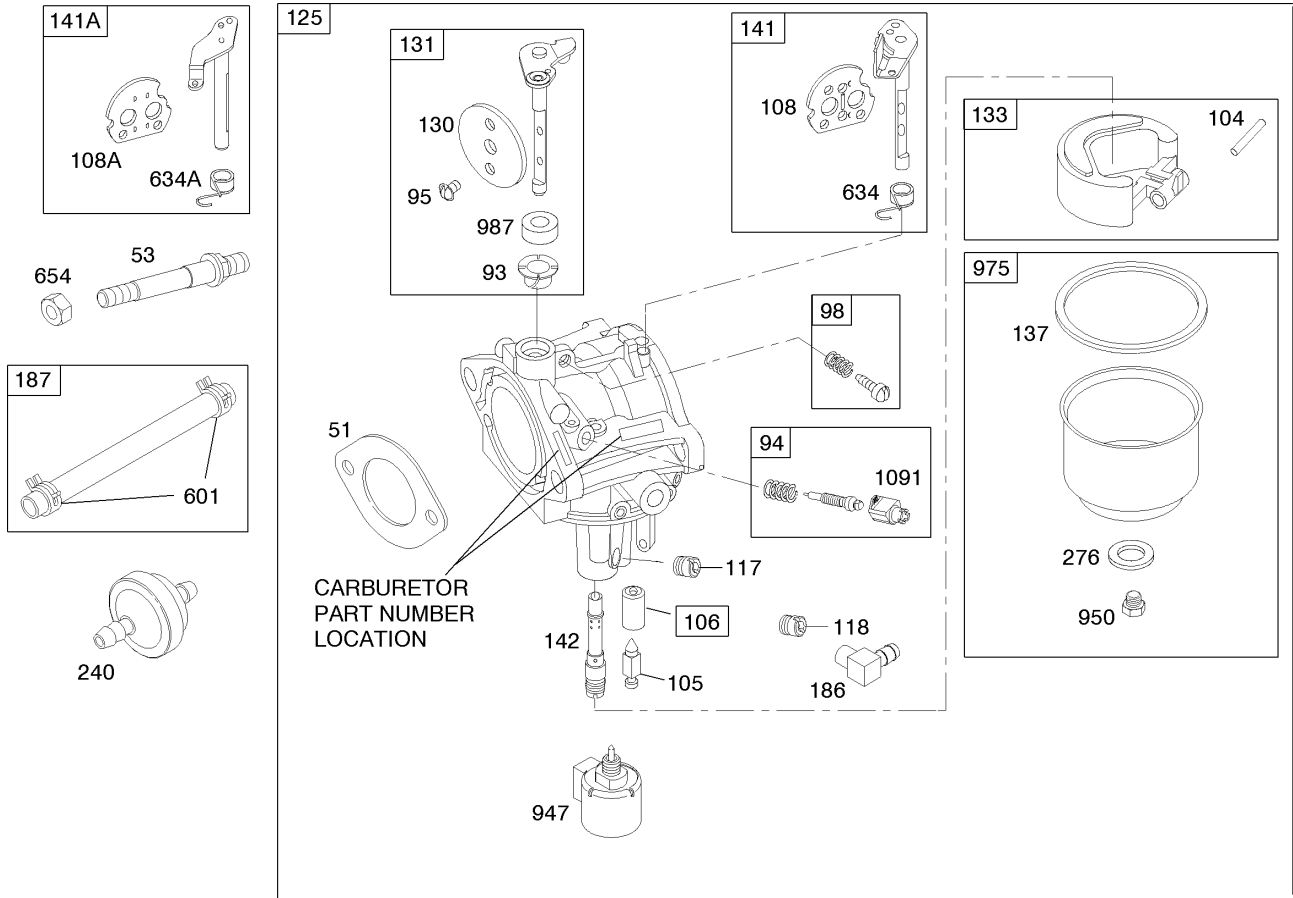
--	--	--	--



Assemblies include all parts shown in frames.

Crankcase Assembly Briggs and Stratton 280h07-0166-e1

Ref	Part No.	Qty.	Description
④	697106	1	Sump-Engine
③③12	697110	1	Gasket-Crankcase
③15	690946	1	Plug-Drain, Oil
③③20	690947	1	Seal-Oil
③22	692125	1	Screw
③43	691968	1	Slinger-Governor, Oil
③46	698577	1	Camshaft
③1051A	698802	1	Ring-Retaining

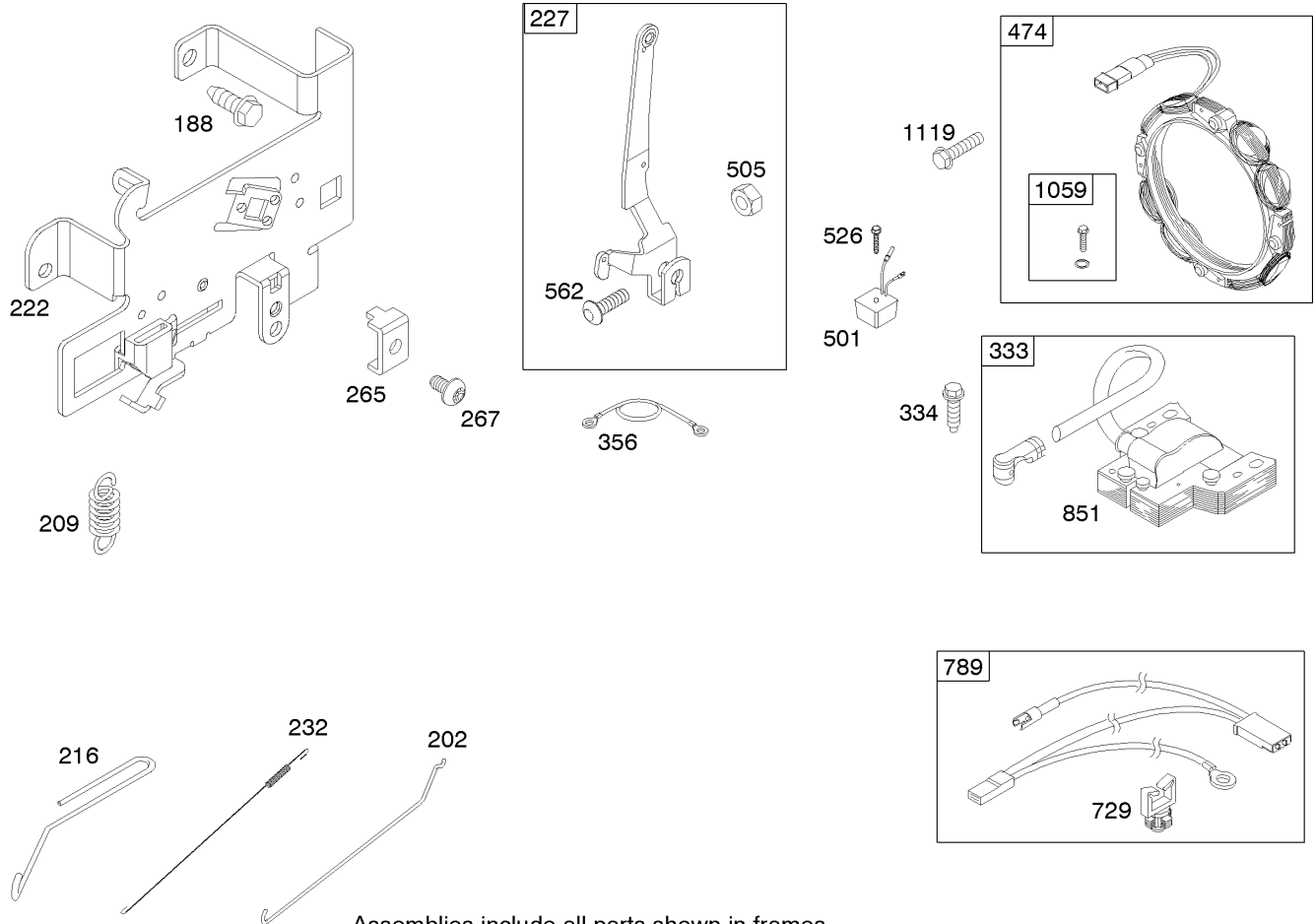


Assemblies include all parts shown in frames.

Carburetor Assembly Briggs and Stratton 280h07-0166-e1

Ref	Part No.	Qty.	Description
⑤④51 ⑤⑥	692137	1	Gasket-Intake
⑤53	690227	1	Stud
⑤⑤93	690602	1	Bushing-Shaft, Throttle
⑤94	498030	1	Idle Mixture Kit
⑤⑤95	691636	1	Screw
⑤98	495800	1	Idle Speed Kit
⑤⑤104	690525	1	Pin-Hinge, Carburetor Float
⑤⑤105	231855	1	Valve-Needle, Float
⑤⑤106	690577	1	Seat-Inlet
⑤108	690464	1	Valve-Choke
⑤108A	692344	1	Valve-Choke
⑤⑤117	694352	1	Jet-Main (STD)
⑤118	697228	1	Jet-Main (High Altitude)
⑤125	697190	1	Carburetor
⑤130	691750	1	Valve-Throttle
⑤131	494379	1	Throttle Shaft Kit
⑤133	494381	1	Float-Carburetor
⑤⑥137 ⑤	281165	1	Gasket-Bowl, Float
⑤141	495097	1	Choke Shaft Kit
⑤141A	495931	1	Choke Shaft Kit
⑤⑤142	697140	1	Nozzle-Carburetor
⑤186	692317	1	Connector-Hose

Ref	Part No.	Qty.	Description
⑤187	697098	1	Line-Fuel
⑤240	394358	1	Filter-Fuel
⑤⑥276 ⑤	692255	1	Washer-Sealing
⑤601	95162	1	Clamp-Hose
⑤⑤634	690801	1	Spring / Seal ASM
⑤⑤634A	690802	1	Spring And Seal ASM
⑤654	690958	1	Nut
⑤947	694393	1	Solenoid-Fuel
⑤950	691657	1	Screw
⑤975	495933	1	Bowl-Float
⑤⑤987	691326	1	Seal-Shaft, Throttle
⑤1091	691333	1	Cap-Limiter

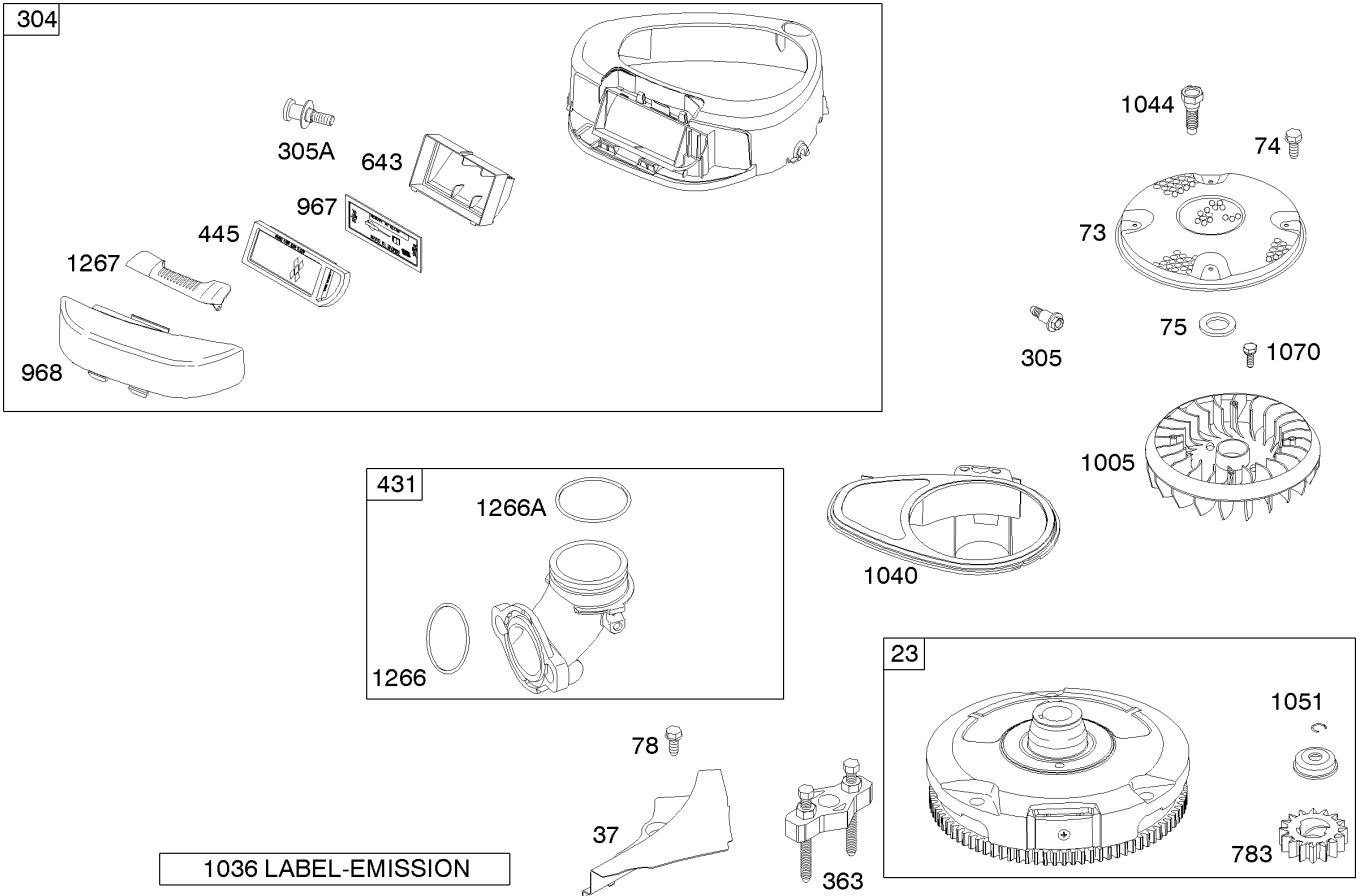


Assemblies include all parts shown in frames.

Governor Assembly Briggs and Stratton 280h07-0166-e1

Ref	Part No.	Qty.	Description
③ 188	691693	1	Screw
③ 202	691841	1	Link-Governor, Mechanical
③ 209	692208	1	Spring-Governor
③ 216	691840	1	Link-Choke
③ 222	694042	1	Bracket-Control
③ 227	691374	1	Lever-Control, Governor
③ 232	691842	1	Spring-Link, Governor
③ 265	691024	1	Clamp-Casing
③ 267	695134	1	Screw
③ 333	492341	1	Armature-Magneto
③ 334	691061	1	Screw
③ 356	697089	1	Stop-Wire
③ 474	696457	1	Alternator
③	696458	1	Alternator
③ 501	691188	1	Regulator
③ 501	691185	1	Regulator
③ 505	691251	1	Nut
③ 526	697088	1	Screw
③	697348	1	Screw
③ 562	691119	1	Screw
③ 729	691335	1	Clip-Wire
③ 789	692037	1	Wiring-Harness
③ 851	692424	1	Terminal-Spark Plug
③ 1059	698516	1	Screw And Washer Kit

Ref	Part No.	Qty.	Description
③ 1119	691183	1	Screw

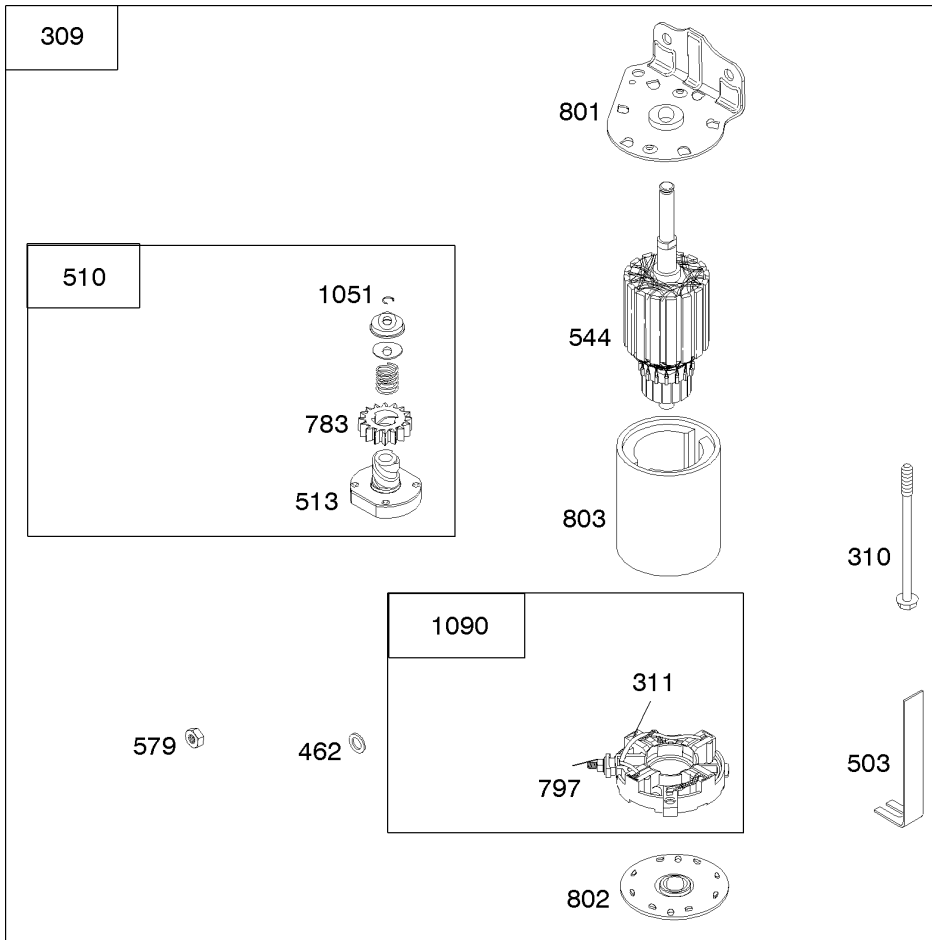


Assemblies include all parts shown in frames.

Blower Housing Assembly Briggs and Stratton 280h07-0166-e1

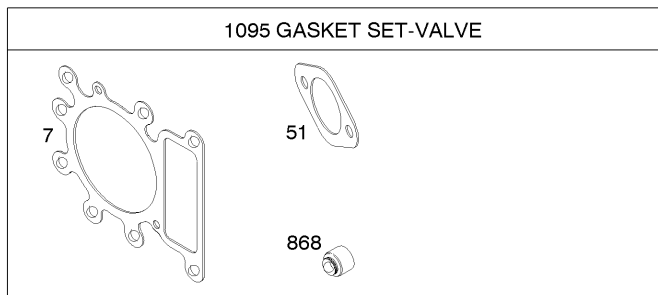
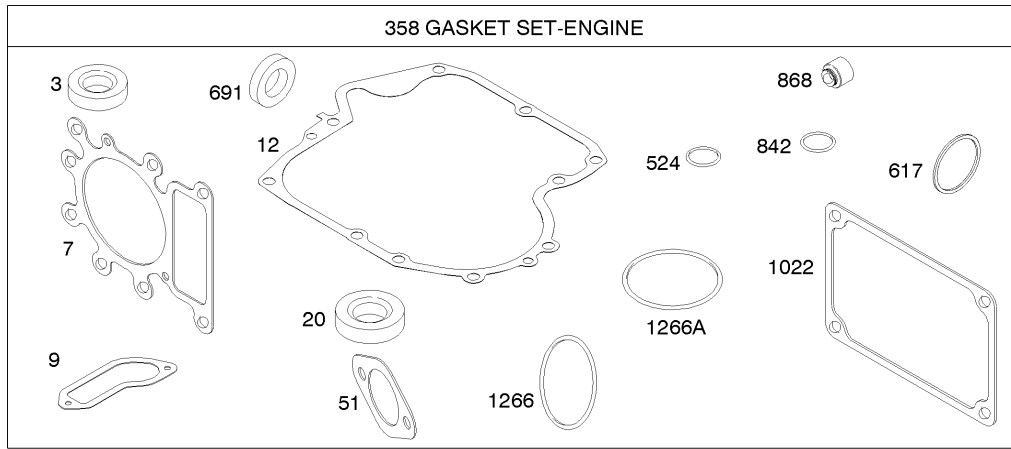
Ref	Part No.	Qty.	Description
③ 23	693556	1	Flywheel
③ 37	697352	1	Guard-Flywheel
③ 73	697384	1	Screen-Rotating
③ 74	697897	1	Screw
③ 75	690582	1	Washer-Flywheel
③ 78	691003	1	Screw
③ 304	698599	1	Housing-Blower
③ 305	697102	1	Screw
③ 305A	697103	1	Screw
③ 363	19203	1	Puller-Flywheel
③ 431	697122	1	Elbow-Intake
③ 445	698083	1	Filter-Cartridge, Air Cleaner
③ 643	698401	1	Retainer-Filter, Air
③ 783	693713	1	Gear-Pinion
③ 967	697015	1	Filter-Cleaner, Pre
③ 968	698403	1	Cover-Cleaner, Air
③ 1005	697853	1	Fan-Flywheel
③ 1036	695700	1	Label-Emission
③ 1040	698368	1	Plate-Trim
③ 1044	691658	1	Screw-Crankshaft Extension
③ 1051	691265	1	Ring-Retaining
③ 1070	690372	1	Screw
③ ③ 1266	691917	1	Seal-O Ring
③ ③ 1266A	697123	1	Seal-O Ring

Ref	Part No.	Qty.	Description
③ 1267	697419	1	Latch-Housing, Blower



Starter Assembly Briggs and Stratton 280h07-0166-e1

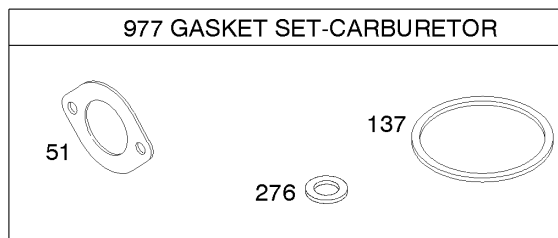
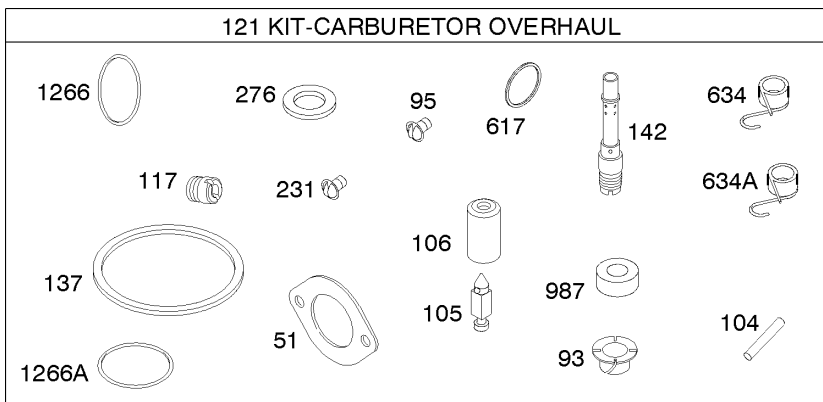
Ref	Part No.	Qty.	Description
309	693551	1	Motor-Starter
310	690323	1	Bolt
311	497608	1	Brush Set
462	691261	1	Washer
503	691532	1	Strap-Starter
510	693699	1	Drive-Starter
513	692024	1	Clutch-Drive
544	692034	1	Armature-Starter
579	691029	1	Nut
697	690372	1	Screw
729A	691224	1	Clip-Wire
729B	694123	1	Clip-Wire
783	693713	1	Gear-Pinion
797	693167	1	Nut
801	691283	1	Cap-Drive
802	691286	1	Cap-End
803	693757	1	Housing-Starter
1051	691265	1	Ring-Retaining
1090	691293	1	Retainer-Brush



Assemblies include all parts shown in frames.

Gasket Assembly Briggs and Stratton 280h07-0166-e1

Ref	Part No.	Qty.	Description
3 3	391086	1	Seal-Oil
3 7	273280	1	Gasket-Head, Cylinder
3 9	697109	1	Gasket-Breather
3 12	697110	1	Gasket-Crankcase
3 20	690947	1	Seal-Oil
3 4 51	692137	1	Gasket-Intake
3 6			
3 358	697151	1	Engine Gasket Set
3 4 617	692138	1	Seal-O Ring
3 8			
3 524	691032	1	Seal-O Ring
3 691	692407	1	Seal-Shaft, Governor
3 842	691031	1	Seal-O Ring
3 4 868	690968	1	Seal-Valve
3			
3 8 1022	272475	1	Gasket-Cover, Rocker
3 1095	691581	1	Valve Gasket Set
3 5 1266	691917	1	Seal-O Ring
3			
3 5 1266A	697123	0	Seal-O Ring
3			



Assemblies include all parts shown in frames.

Carburetor Overhaul Kit Assembly Briggs and Stratton 280h07-0166-e1

Ref	Part No.	Qty.	Description
④ 51	692137	1	Gasket-Intake
⑤ ⑥			
⑤ ⑥ 93	690602	1	Bushing-Shaft, Throttle
⑤ ⑥ 95	691636	1	Screw
⑤ ⑥ 104	690525	1	Pin-Hinge, Carburetor Float
⑤ ⑥ 105	231855	1	Valve-Needle, Float
⑤ ⑥ 106	690577	1	Seat-Inlet
⑤ ⑥ 117	694352	1	Jet-Main (STD)
⑥ 121	697154	1	Carburetor Overhaul Kit
⑤ ⑥ 137	281165	1	Gasket-Bowl, Float
③			
⑤ ⑥ 142	697140	1	Nozzle-Carburetor
⑤ ⑥ 231	691636	1	Screw
⑤ ⑥ 276	692255	1	Washer-Sealing
③			
⑤ ⑤ 617	692138	1	Seal-O Ring
③			
⑤ ⑥ 634	690801	1	Spring / Seal ASM
⑤ ⑥ 634A	690802	1	Spring And Seal ASM
⑥ 977	690192	1	Carburetor Gasket Set
⑤ ⑥ 987	691326	0	Seal-Shaft, Throttle
⑤ ⑤ 1266	691917	0	Seal-O Ring
③			
⑤ ⑤ 1266A	697123	1	Seal-O Ring
③			

Attachments and Accessories

For 74402 - TimeCutter Z380 Riding Mower

Product Name	Model/Part
Smooth Caster Wheel Kit	105-1856
Tire Chain Kit	107-1737
Armrest Kit	108-6163
38 Inch Twin Bagger	79215
48 Inch Snow Blade	79216

NOTES

NOTES

