



## TimeCutter™ Z480 Riding Mower

Model No. 74352 - 250000001 and up.

### Parts Catalog

---

#### Ordering Replacement Parts

To order replacement parts, please supply the part number, the quantity, and the description of each part desired.

#### Understanding Reference Numbers

Each identified part in an illustration has a reference number. The reference number for a part also appears in the parts list, along with other information about the part.

This catalog uses two special reference number formats, one to indicate parts in a service assembly and another to indicate the quantity of a given part in an illustration.

#### Service Assembly Reference Numbers

Parts in service assemblies have reference numbers in the form a:b. The a represents the reference number of the entire service assembly and the b represents a sequential number unique to each part within the service assembly.

For example, a wheel assembly might be identified by reference number 6, the tire by 6:1, the valve by 6:2, and the wheel by 6:3. When you order the assembly identified by reference number 6, you receive all parts identified by reference numbers 6:1, 6:2, and 6:3. However, you may also order any part individually. Reference numbers of this type appear in illustrations and in part lists.

#### Reference Numbers Indicating Quantity

In an illustration, if a reference number indicates more than one part, the reference number has the form nX y. The n represents the quantity of the part, the X is the multiplication symbol, and the y represents the reference number.

For example, in an illustration, the reference number 2X 37 means that two of the parts identified by reference number 37 are indicated.

# Contents

Description	Page	Description	Page
Frame Assembly	3	Crankshaft Assembly Briggs and Stratton 31K777-0190-E1	20
Seat Assembly	4	Crankcase Assembly Briggs and Stratton 31K777-0190-E1	21
Control Assembly	5	Oil Filter, Tube and Pump Assembly Briggs and Stratton 31K777-0190-E1	22
Hydro and Belt Drive Assembly	6	Carburetor Assembly Briggs and Stratton 31K777-0190-E1	23
LH Hydrostat Assembly Part No. 108-2394	7	Governor Assembly Briggs and Stratton 31K777-0190-E1	24
RH Hydrostat Assembly Part No. 108-2393	9	Blower Housing Assembly Briggs and Stratton 31K777-0190-E1	25
Engine Assembly	11	Starter Assembly Briggs and Stratton 31K777- 0190-E1	26
Styling Assembly	12	Engine and Valve Gasket Set Assemblies Briggs and Stratton 31K777-0190-E1	27
48 Inch Deck Assembly	13	Carburetor Overhaul Kit and Gasket Set Assemblies Briggs and Stratton 31K777-0190- E1	28
48 Inch Deck Decal Assembly No. 108-7173	14		
Deflector Assembly No. 108-8591	15		
48 Inch Spindle and Belt Drive Assembly	16		
Electrical Assembly	17		
Cylinder Assembly Briggs and Stratton 31K777-0190-E1	18		
Cylinder Head Assembly Briggs and Stratton 31K777-0190-E1	19		

## Part Description Abbreviations

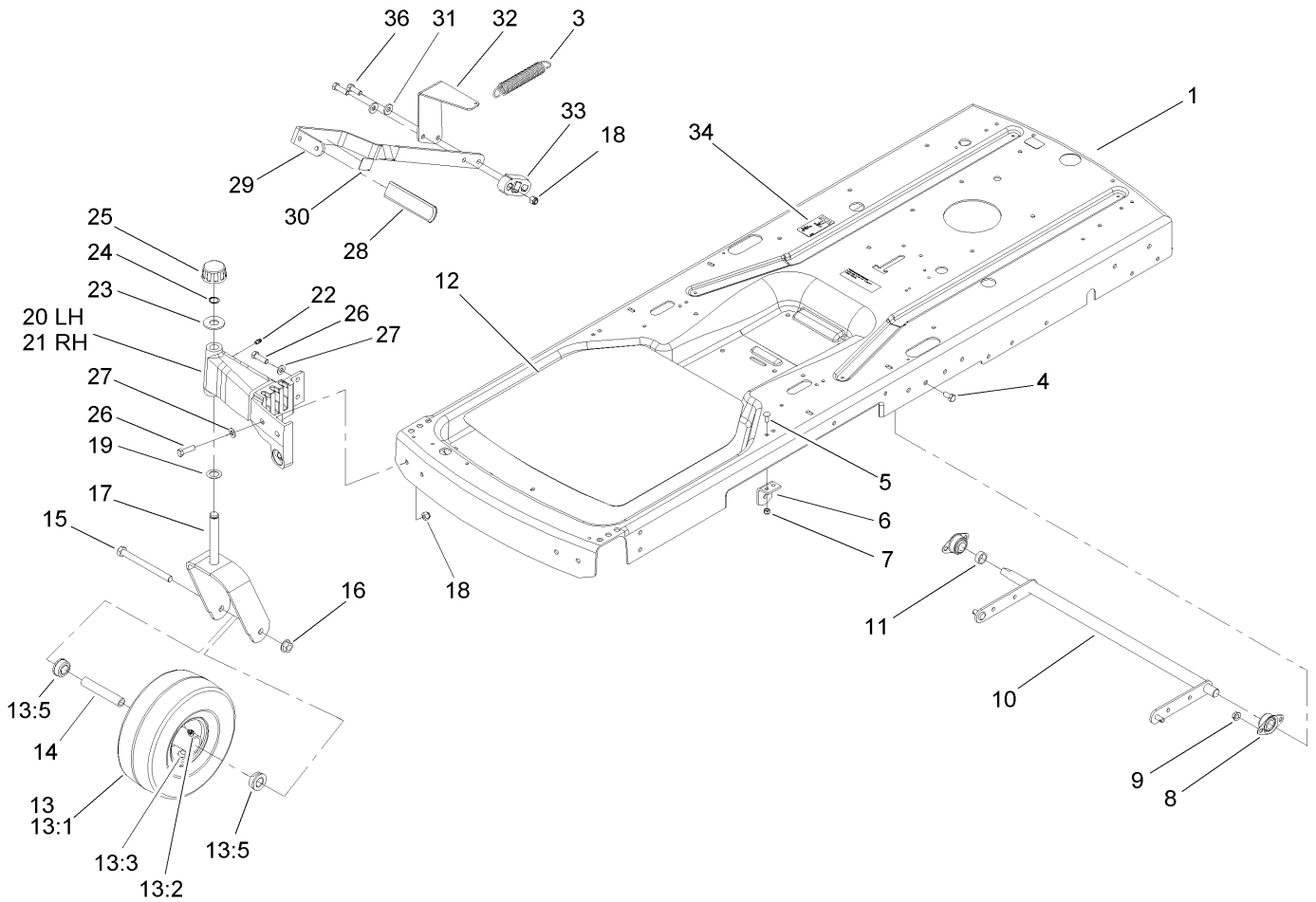
Part descriptions in this catalog may include the following abbreviations.

AR. .... as required	HWHTF. .... hex washer head thread forming
ASM. .... assembly	HYD. .... hydraulic
BBC. .... blade brake clutch	LH. .... left hand
CARR. .... carriage	NI. .... nylon insert
CCW. .... counter clock wise	NPTF. .... national pipe thread fine
CW. .... clockwise	PFH. .... phillips flat head
DEG. .... degrees	PPH. .... phillips pan head
ECM. .... electronic control module	PPHTF. .... phillips pan head thread forming
EXT. .... external	PRH. .... phillips round head
FH. .... flat head	PTH. .... phillips truss head
GA. .... gauge	PTO. .... power-take-off
HD. .... heavy-duty	RH. .... right hand
HF. .... hex flange	ROPS. .... roll-over protection system
HH. .... hex head	SFH. .... slotted fillister head
HHF. .... hex head flange	SHH. .... slotted hex head
HHFTF. .... hex head flange thread forming	SHWH. .... slotted hex washer head
HJ. .... hex jam	SPH. .... slotted pan head
HLH. .... hex lag head	SQH. .... square head
HOC. .... height-of-cut	SRH. .... slotted round head
HSBH. .... hex socket button head	STD. .... standard
HSFH. .... hex socket flat head	TAP. .... self tapping
HSH. .... hex socket head	TTH. .... torx truss head
HWH. .... hex washer head	

## Footnotes

- ❶ Not illustrated
- ❷ Obtain parts from [www.briggsandstratton.com](http://www.briggsandstratton.com)

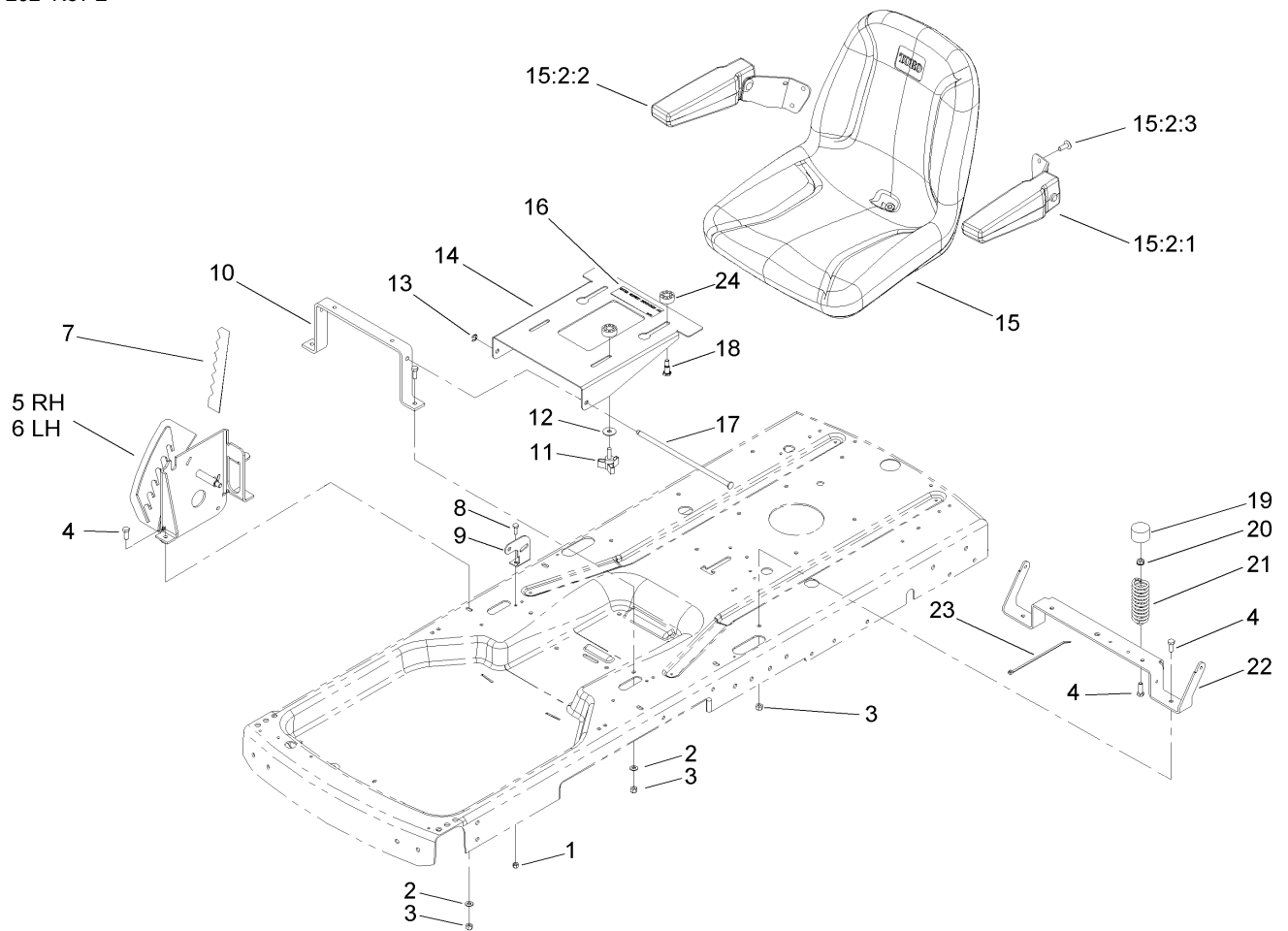
- ❸ Not serviced separately



### Frame Assembly

Ref	Part No.	Qty.	Description
1	108-2325-01	1	Frame
3	106-2177	1	Spring-Extension
4	323-4	4	Screw-HH
5	3229-1	4	Screw-CARR
6	105-3439	2	Bracket-Lift
7	3296-42	4	Nut-Lock, NI
8	1-633102	2	Bearing-Flange, Side
9	3290-357	4	Nut-HHF, Whiz
10	107-1731-03	1	Lift Arm ASM
11	106-2222	1	Spacer
12	105-3460	1	Pad-Antiskid
13	105-3471	2	Front Wheel And Tire ASM
13:1	105-1943	1	Tire
13:2	302-5	1	Fitting-Grease
13:3	232-27	1	Stem-Valve
13:5	114-1640	2	Bushing-Flange
● 13:99	93-4244	1	Tube-Inner (W/Valve)
14	104-3667	2	Spanner-Wheel
15	325-22	2	Screw-HH
16	32128-23	2	Nut-HF
17	107-9119-01	2	Castor Fork ASM
18	3296-39	9	Nut-Lock, NI
19	3-6498	2	Washer-Thrust
20	105-6986-01	1	Caster-LH

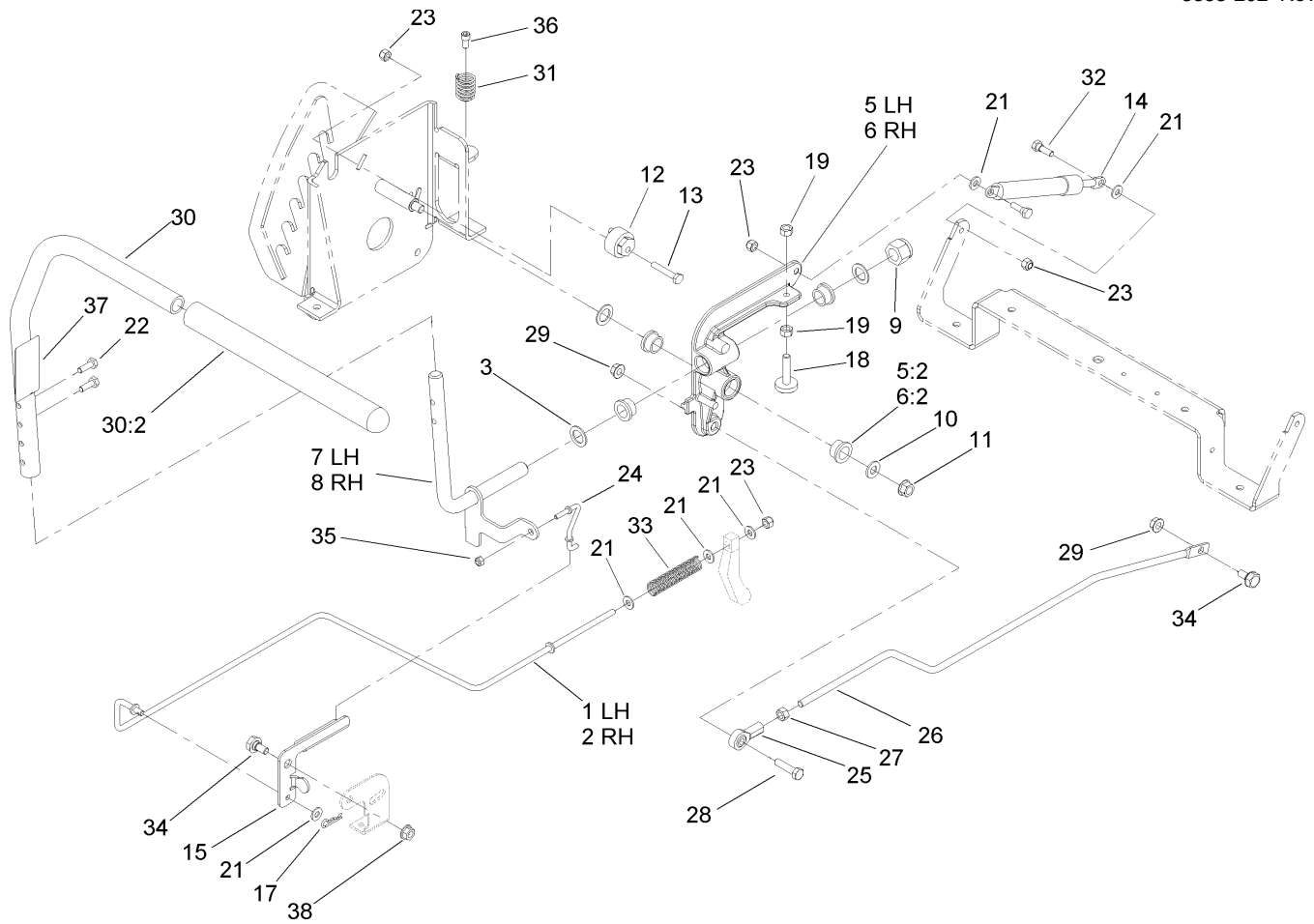
Ref	Part No.	Qty.	Description
21	105-6985-01	1	Castor-RH
22	302-5	2	Fitting-Grease
23	28-2480	2	Washer-Plain
24	32151-103	2	Ring-Retaining, EXT
25	61-9780	2	Cap-Hub
26	323-18	8	Screw-HH
27	3256-24	8	Washer-Flat
28	105-3450	1	Grip-Lever, Lift
29	108-2317-03	1	Lever-Lift
30	106-8743	1	Decal
31	98-5975	2	Washer-Belleville
32	107-2516-03	1	Mount-Spring, Front
33	106-2211	1	Block-Lift
34	108-6109	1	Decal-Transport, Ce
36	323-7	2	Screw-HH



## Seat Assembly

Ref	Part No.	Qty.	Description
1	3296-42	4	Nut-Lock, NI
2	3256-23	6	Washer-Flat
3	3296-29	12	Nut-Lock, NI
4	322-4	14	Screw-HH
5	106-2158-03	1	RH Plate ASM
6	106-2159-03	1	LH Plate ASM
7	108-8520	1	Decal-HOC
8	321-4	4	Screw-HH
9	106-2180	2	Bracket-Bellcrank
10	105-6954-03	1	Brace-Seat, Front
11	106-2240	2	Knob
12	5-4460	2	Washer-Pivot
13	105-7004	1	E-Ring
14	105-6953-03	1	Bracket-Seat
15	106-6447	1	Seat (With Arm Rests)
15:2		1	Armrest Kit
15:2:1	108-6177	1	LH Armrest ASM
15:2:2	108-6178	1	RH Armrest ASM
15:2:3	108-6179	6	Screw-HSBH
16	106-8716	1	Decal-Services
17	105-6955	1	Pin-Pivot
18	613529	2	Screw-Shoulder
19	701178	2	Cap-Protector
20	32128-25	2	Nut-HF

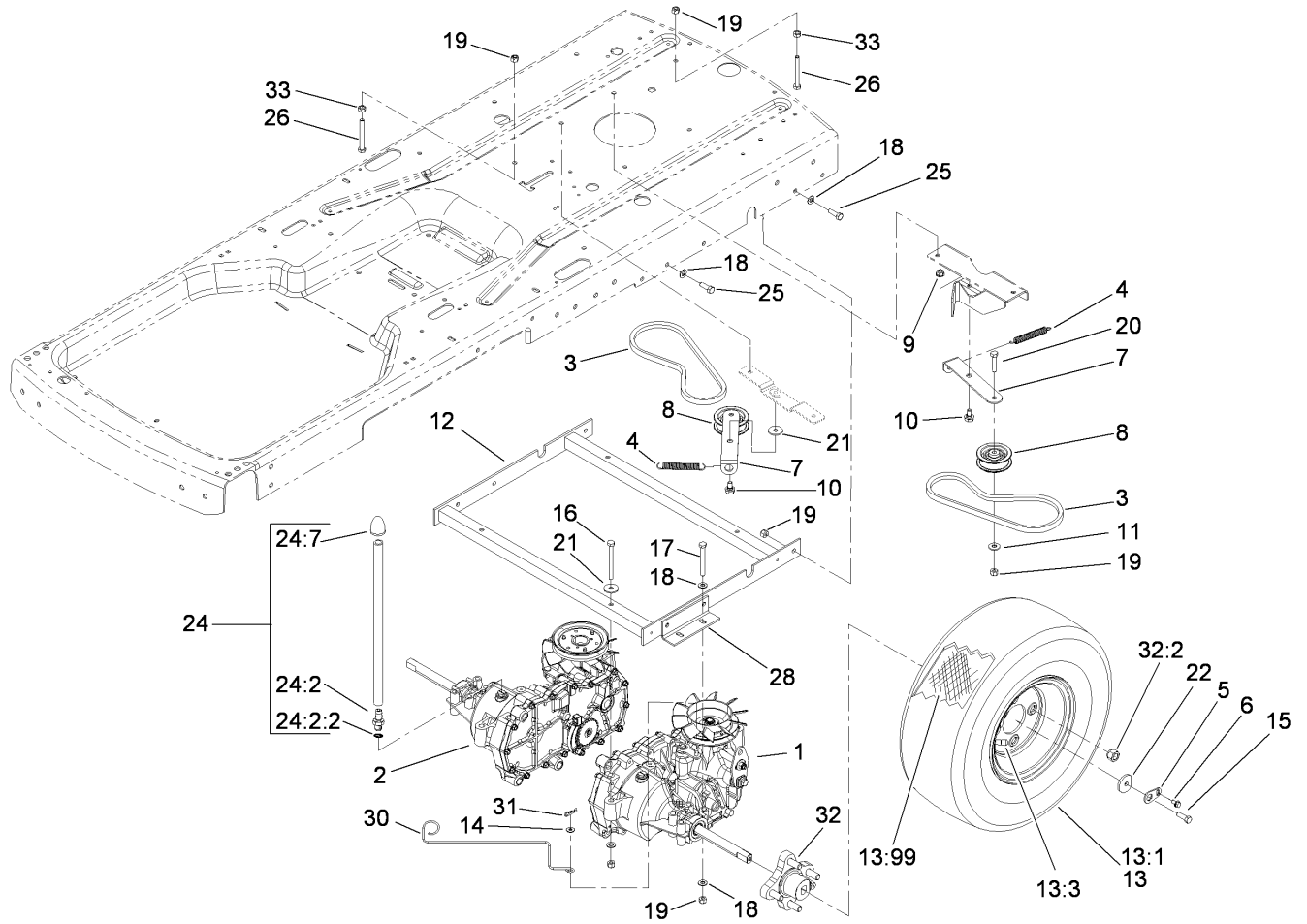
Ref	Part No.	Qty.	Description
21	92-7054	2	Spring-Compression
22	108-2358-03	1	Brace-Seat, Rear
23	614249	1	Strap-Tie
24	107-4902		Spacer-Nylon



## Control Assembly

Ref	Part No.	Qty.	Description
1	105-7045	1	Rod-Brake, LH
2	105-7044	1	Rod-Brake, RH
3	105-3481	6	Washer-Thrust
5	107-4909	1	LH Activator Arm ASM
5:2	105-3455	4	Bushing
6	107-4910	1	RH Activator Arm ASM
6:2	105-3455	4	Bushing
7	105-3488	1	LH Pivot Shaft ASM
8	105-3487	1	RH Pivot Shaft ASM
9	3296-53	2	Nut-Lock, NI
10	3256-24	2	Washer-Flat
11	3296-59	2	Nut-Lock, NI
12	107-4874	2	Eccentric
13	321-9	2	Screw-HH
14	103-2913	2	Damper-Control, Motion
15	106-2181	2	Bellcrank
17	1-806003	2	Pin-Cotter, Hair
18	105-3486	2	Stop-Adjustment
19	3217-6	4	Nut-Hex
21	3256-22	12	Washer-Flat
22	321-4	4	Screw-HH
23	3296-42	8	Nut-Lock, NI
24	106-2179	2	Link-Brake
25	1-543017	2	Balljoint-RH

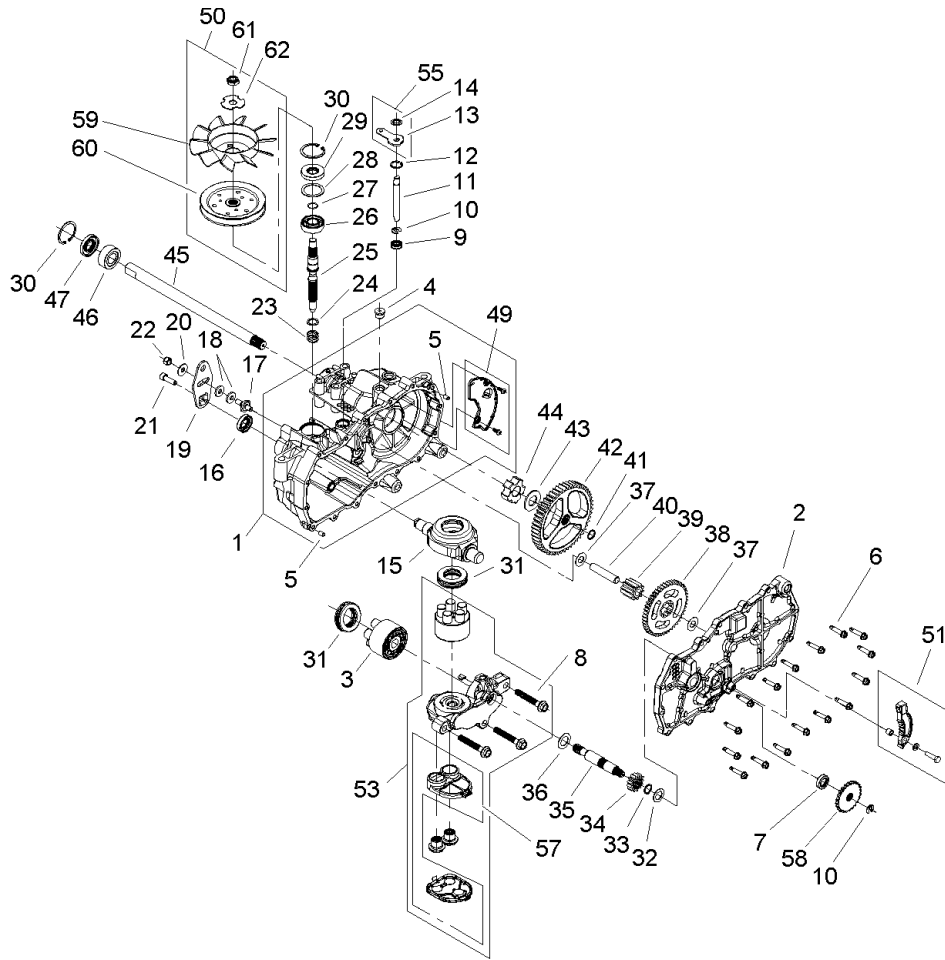
Ref	Part No.	Qty.	Description
26	105-7048	2	Rod-Hydro
27	3219-2	2	Nut-Hex
28	322-6	2	Screw-HH
29	32128-20	4	Nut-HF
30	106-2242	2	Handle ASM
30:2	1-633257	1	Grip-Control, Motion
31	105-3469	2	Spring-Compression
32	106-2214	4	Bolt-Shoulder
33	105-3465	2	Spring-Compression
34	37-8771	4	Bolt-Shoulder
35	3296-2	2	Nut-Lock, NI
36	3274-52	2	Screw-HSH
37	106-8742	2	Decal
38	32128-25	2	Nut-HF



## Hydro and Belt Drive Assembly

Ref	Part No.	Qty.	Description
1	108-2394	1	Transaxle-Hydro, LH
2	108-2393	1	Transaxle-Hydro, RH
3	106-2174	2	V-Belt
4	95-3805	2	Spring
5	105-3438	2	Tab-Locking
6	3234-13	2	Screw-HHF
7	105-7047	2	Arm-Idler
8	106-2176	2	Pulley-Idler
9	32128-25	1	Nut-HF
10	37-8770	2	Bolt-Shoulder
11	3256-3	2	Washer-Flat
12	107-4878-03	1	Hydro Mount ASM
13	106-7005	2	Rear Wheel ASM
13:1	105-3468	1	Tire
13:3	232-27	1	Stem-Valve
13:99	232-37	1	Tube
14	3256-1	2	Washer-Flat
15	3210-5	2	Screw-HH
16	322-20	4	Screw-HH
17	322-13	4	Screw-HH
18	3256-23	18	Washer-Flat
19	3296-29	18	Nut-Lock, NI
20	322-7	2	Screw-HH
21	5-4460	5	Washer-Pivot

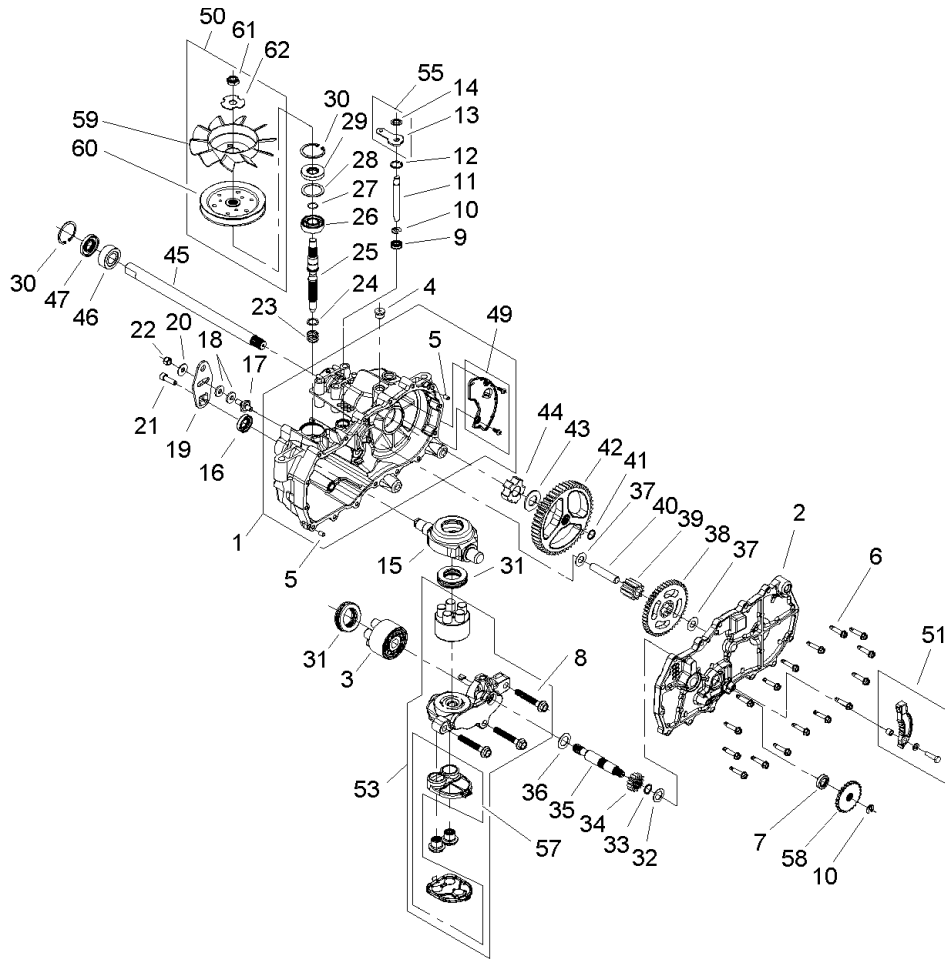
Ref	Part No.	Qty.	Description
22	106-7001	2	Washer-Wheel
24	106-7002	2	Vent Hose ASM
24:2	93-3818	1	Fitting ASM
24:2:2	93-3816	1	O-Ring
24:7	107-1701	1	Cap Vent ASM
25	322-5	6	Screw-HH
26	322-13	2	Screw-HH
28	105-7039-03	2	Support-Hydro
30	107-4875	2	Rod-Bypass
31	1-806003	2	Pin-Cotter, Hair
32	108-9533	2	Hub ASM
32:2	242-50	4	Nut-Lug
33	3217-6	2	Nut-Hex



## LH Hydrostat Assembly Part No. 108-2394

Ref	Part No.	Qty.	Description
1	106-8695	1	RH Main Housing ASM
2	106-8696	1	RH Side ASM
3	104-2106	1	Cylinder Block ASM
4	104-2189	1	Plug-Thread, Straight
5	104-2170	2	Pin
6	104-5305	16	Screw-HHF
7	104-5347	1	Seal-Oil
8	94-6926	3	Bolt
9	106-8676	1	Seal-Lip
10	106-8677	2	Ring-Retaining, EXT
11	106-8678	1	Rod-Bypass
12	106-8679	1	Ring-Retaining, Int
13	107-2490	1	Arm-Bypass
14	106-8681	1	Ring-Retaining, EXT
15	104-5304	1	Swashplate-Trunnion
16	104-5313	1	Seal-Lip
17	104-2116	1	Stud
18	105-1873	2	Puck-Friction
19	106-8747	1	Arm-Control
20	5-4460	1	Washer-Pivot
21	107-2488	1	Screw
22	105-1872	1	Nut
23	94-1936	1	Spring-Block
24	94-1937	1	Washer-Thrust, Block

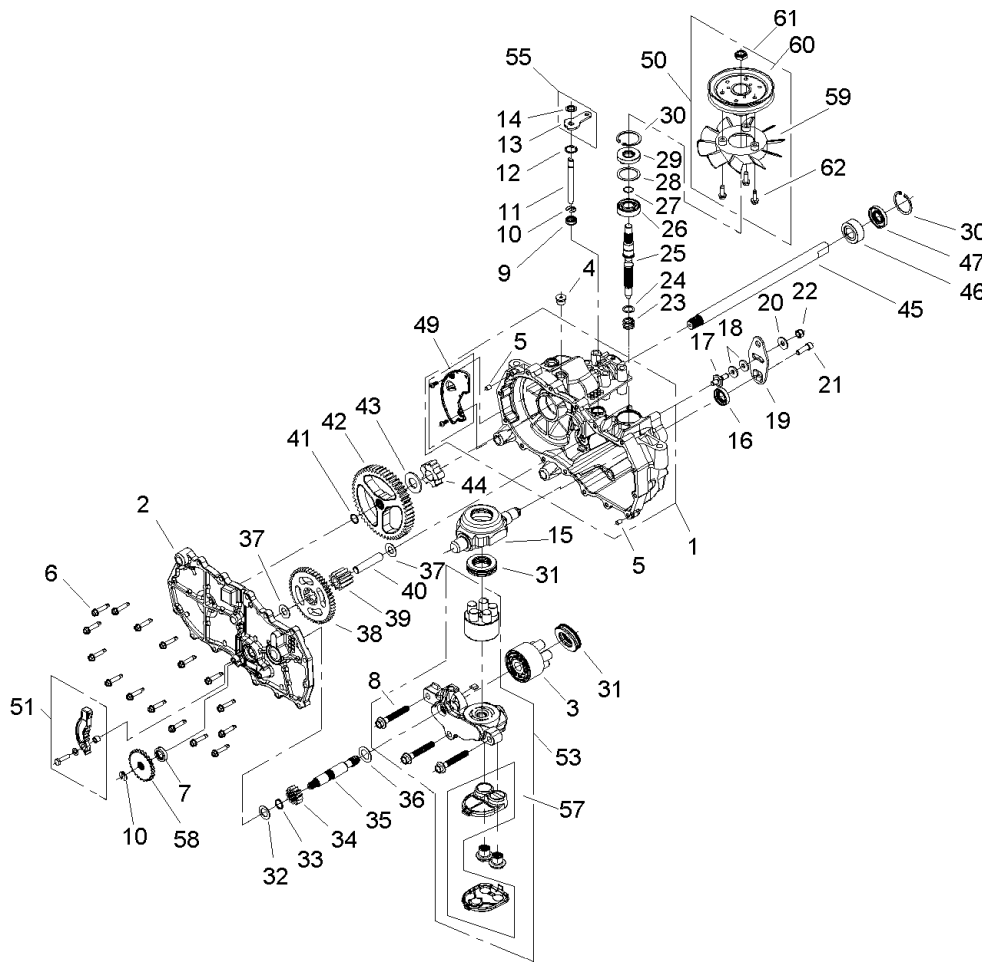
Ref	Part No.	Qty.	Description
25	104-5306	1	Shaft-Input
26	104-5311	1	Bearing-Ball
27	104-5307	1	Ring-Retaining
28	104-5308	1	Spacer
29	104-5310	1	Seal-Lip
30	104-5309	2	Ring-Retaining
31	94-6922	2	Bearing-Thrust
32	104-5339	1	Washer-Flat
33	104-5340	1	Ring-Retaining
34	104-5316	1	Gear-Pinion, 13T
35	106-8683	1	Shaft-Motor
36	104-5360	1	Washer-Shaft, Motor
37	94-1933	2	Washer
38	104-5317	1	Gear
39	104-5318	1	Gear-Jackshaft, 10T
40	104-5329	1	Pin-Jackshaft
41	104-5328	1	Ring-Retaining, Spiral
42	106-8684	1	Gear-Bull, 52T
43	94-1943	1	Washer
44	104-5320	1	Bearing-Sleeve
45	106-8685	1	Axle
46	104-5321	1	Bearing-Sleeve, Outboard
47	104-5322	1	Seal-Lip
48	106-8686	1	Seal Kit



### LH Hydrostat Assembly Part No. 108-2394 (continued)

Ref	Part No.	Qty.	Description
49	106-8697	1	RH Expansion Plate Kit
50	106-8698	1	Fan Pulley Kit
51	106-8688	1	Brake Arm Kit
53	108-6190	1	RH 7-Piston Center Section Kit
54	104-2147	1	Sealant
55	107-2489	1	Bypass Arm Kit
57	106-8693	1	Filter Kit
58	106-8694	1	Disc-Brake, Cog
59	110-8566	1	Fan-6 Inch, 10 Blade
60	104-1754	1	Pulley
61	105-1875	1	Nut-Lock
62	107-9122	3	Washer-Slotted

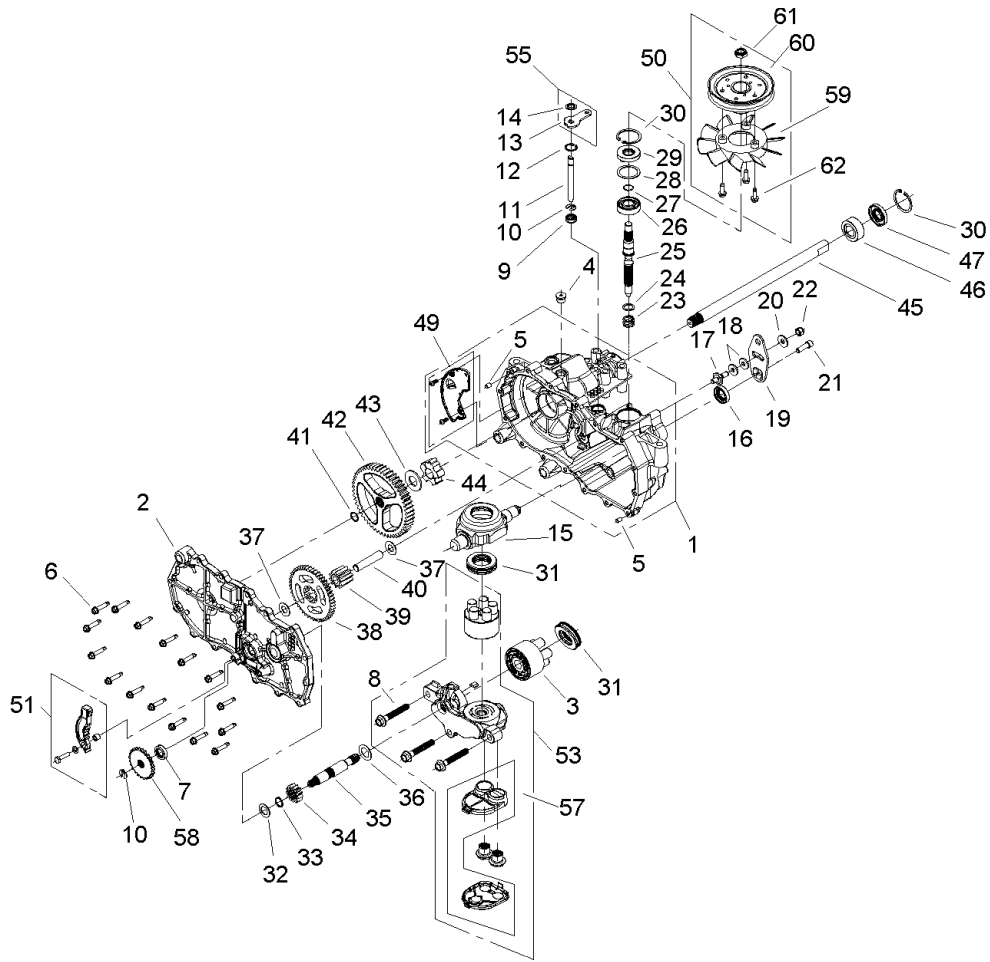
--	--	--	--



## RH Hydrostat Assembly Part No. 108-2393

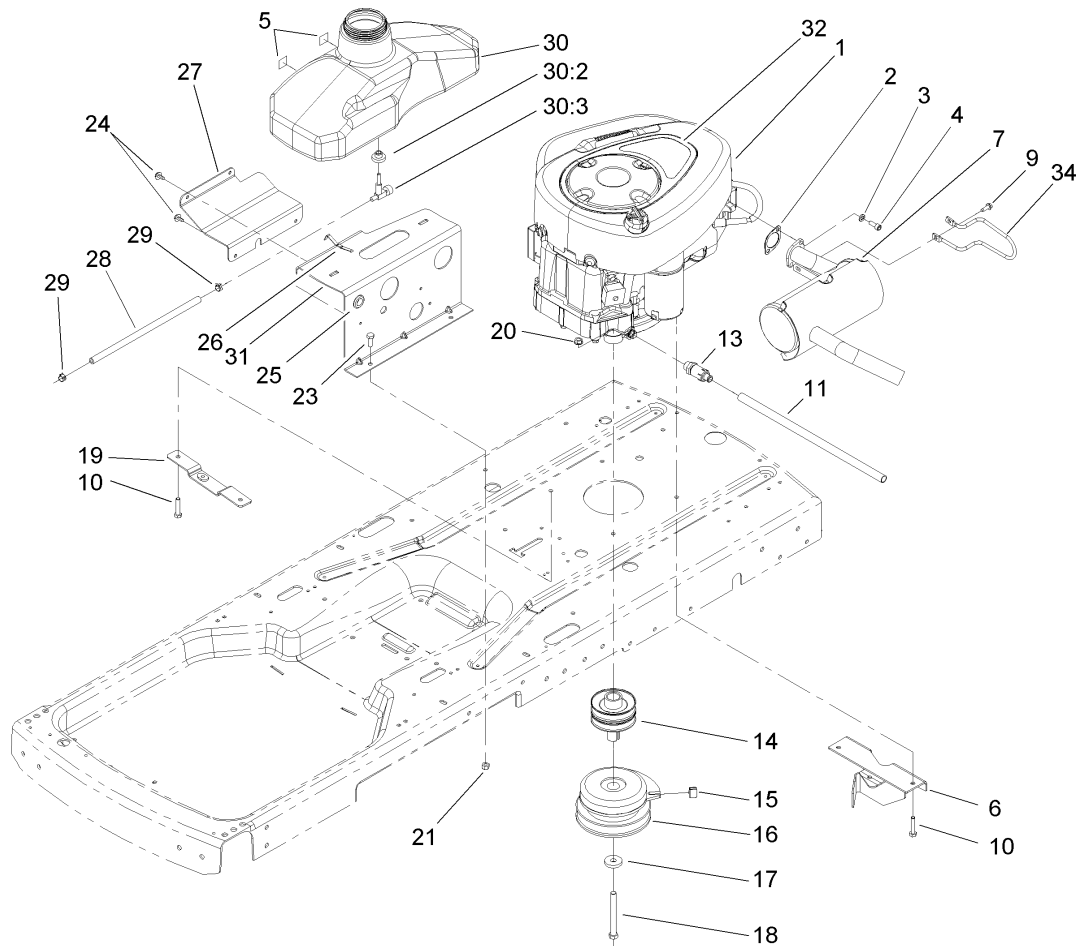
Ref	Part No.	Qty.	Description
1	106-8674	1	LH Main Housing ASM
2	106-8675	1	LH Side ASM
3	104-2106	1	Cylinder Block ASM
4	104-2189	1	Plug-Thread, Straight
5	104-2170	2	Pin
6	104-5305	16	Screw-HHF
7	104-5347	1	Seal-Oil
8	94-6926	3	Bolt
9	106-8676	1	Seal-Lip
10	106-8677	2	Ring-Retaining, EXT
11	106-8678	1	Rod-Bypass
12	106-8679	1	Ring-Retaining, Int
13	107-2490	1	Arm-Bypass
14	106-8681	1	Ring-Retaining, EXT
15	104-5304	1	Swashplate-Trunnion
16	104-5313	1	Seal-Lip
17	104-2116	1	Stud
18	105-1873	2	Puck-Friction
19	106-8747	1	Arm-Control
20	5-4460	1	Washer-Pivot
21	107-2488	1	Screw
22	105-1872	1	Nut
23	94-1936	1	Spring-Block
24	94-1937	1	Washer-Thrust, Block

Ref	Part No.	Qty.	Description
25	104-5306	1	Shaft-Input
26	104-5311	1	Bearing-Ball
27	104-5307	1	Ring-Retaining
28	104-5308	1	Spacer
29	104-5310	1	Seal-Lip
30	104-5309	2	Ring-Retaining
31	94-6922	2	Bearing-Thrust
32	104-5339	1	Washer-Flat
33	104-5340	1	Ring-Retaining
34	104-5316	1	Gear-Pinnion, 13T
35	106-8683	1	Shaft-Motor
36	104-5360	1	Washer-Shaft, Motor
37	94-1933	2	Washer
38	104-5317	1	Gear
39	104-5318	1	Gear-Jackshaft, 10T
40	104-5329	1	Pin-Jackshaft
41	104-5328	1	Ring-Retaining, Spiral
42	106-8684	1	Gear-Bull, 52T
43	94-1943	1	Washer
44	104-5320	1	Bearing-Sleeve
45	106-8685	1	Axle
46	104-5321	1	Bearing-Sleeve, Outboard
47	104-5322	1	Seal-Lip
48	106-8686	1	Seal Kit



### RH Hydrostat Assembly Part No. 108-2393 (continued)

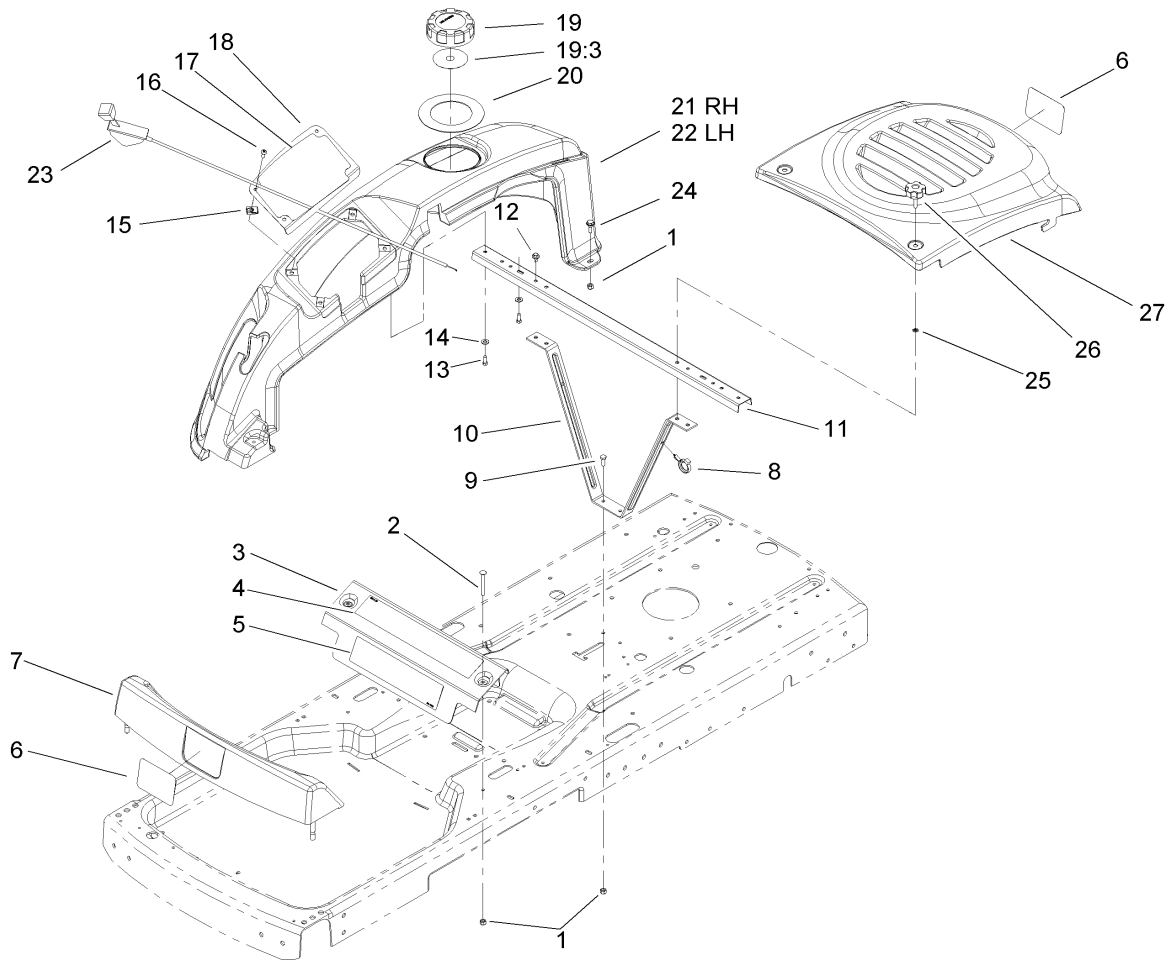
Ref	Part No.	Qty.	Description
49	106-8687	1	LH Expansion Plate Kit
50	105-1928	1	Fan Pulley Kit
51	106-8688	1	Brake Arm Kit
53	108-6189	1	LH 7-Piston Center Section Kit
54	104-2147	1	Sealant
55	107-2489	1	Bypass Arm Kit
57	106-8693	1	Filter Kit
58	106-8694	1	Disc-Brake, Cog
59	105-1927	1	Fan
60	105-1896	1	Pulley
61	105-1875	1	Nut-Lock
62	104-2120	3	Screw

## Engine Assembly

Ref	Part No.	Qty.	Description
1		1	Engine-Briggs And Stratton, 31K777-0190-E1
2	88-4410	1	Gasket-Exhaust
3	3253-4	2	Washer-Lock
4	3274-10	2	Screw-HSH
5	104-2488	2	Foam-Switch, Seat
6	107-4873	1	Bracket-Pivot
7	106-7007	1	Muffler
9	32144-44	3	Screw-HWH
10	322-7	4	Screw-HH
11	106-7022	1	Tube-Drain, Oil
13	92-6877	1	Valve-Drain, Oil
14	105-3472	1	Pulley-Engine
15	98-5023	1	Bumpon
16	108-9511	1	Clutch-PTO, Electric
17	112843	1	Washer
18	3212-16	1	Screw-HH
19	106-2156	1	Plate-Mount, Idler
20	32128-25	4	Nut-HF
21	3296-29	2	Nut-Lock, NI
23	322-4	2	Screw-HH
24	46-8560	3	Screw-HHF
25	237-124	1	Grommet
26	609830	2	Spring

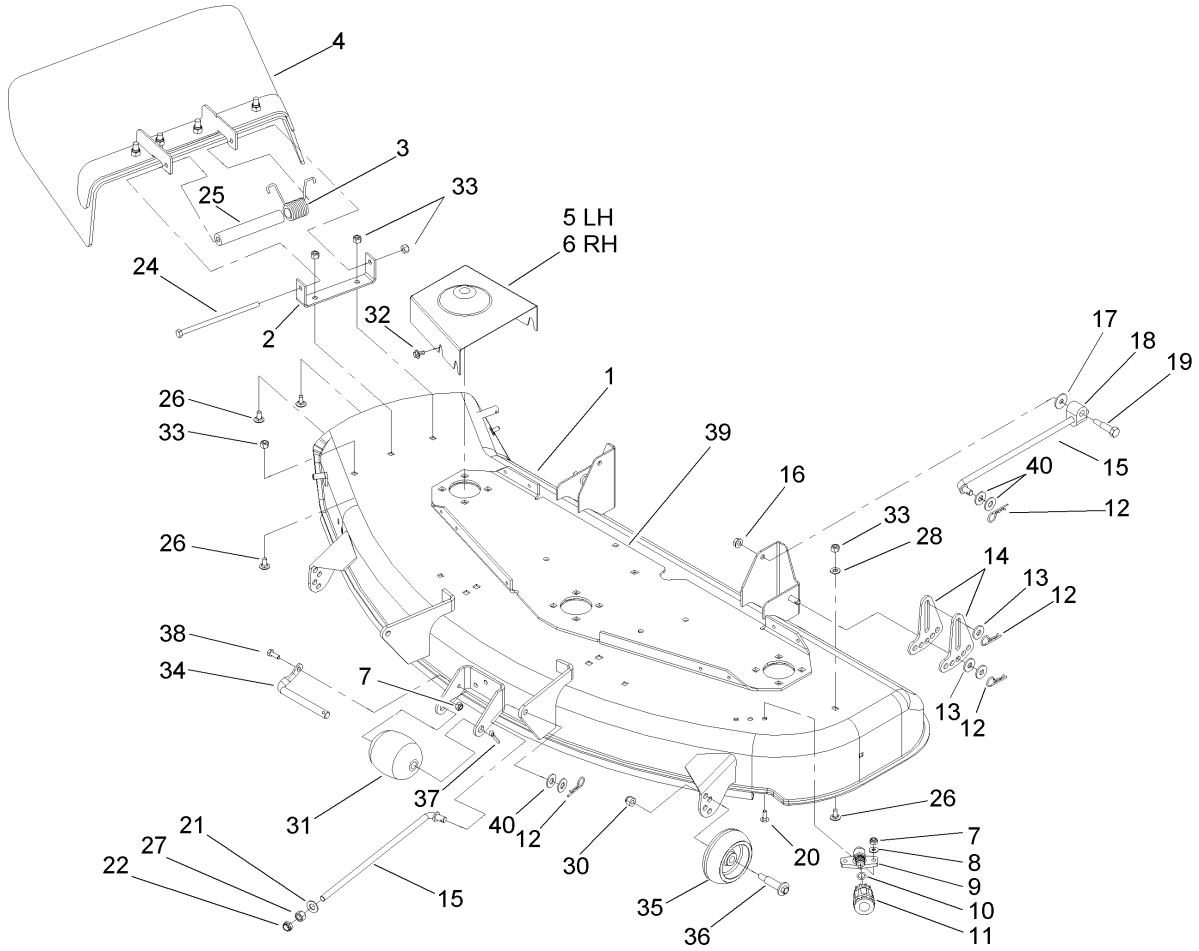
Ref	Part No.	Qty.	Description
27	108-2315-03	1	Plate-Support
28	106-8720	1	Hose-Fuel
29	2412-98	2	Clamp
30	105-3464	1	Gas Tank ASM
30:2	46-6560	1	Bushing
30:3	104048	1	Valve-Fuel
31	108-2314-03	1	Plate-Tank
32	108-8523	2	Decal-Engine
34	108-8510	1	Guard-Muffler



### Styling Assembly

Ref	Part No.	Qty.	Description
1	3296-42	6	Nut-Lock, NI
2	3229-7	2	Screw-CARR
3	106-2164-03	1	Bracket-Support, Front
4	107-7398	1	Decal-Danger
5	108-7129	1	Decal
6	105-6971	2	Decal
7	105-6965	1	Footrest ASM
8	105-1853	2	Clamp-Hose
9	321-4	2	Screw-HH
10	106-6994-03	1	Brace ASM
11	108-2313-03	1	Channel-Cross
12	46-8560	2	Screw-HHF
13	46-8090	4	Screw-Plastite
14	3256-22	4	Washer-Flat
15	107069	4	Clip
16	3258-166	4	Screw-PRH
17	106-2224	1	Decal-Control
18	106-2167-03	1	Panel-Control
19	88-3980	1	Gas Cap ASM
19:3	88-4010	1	Gasket-Cap, Gas
20	106-7042	1	Seal-Rubber
21	106-2161	1	Cover-Side, RH
22	106-2162	1	Cover-Side, LH
23	104-3626	1	Cable-Throttle

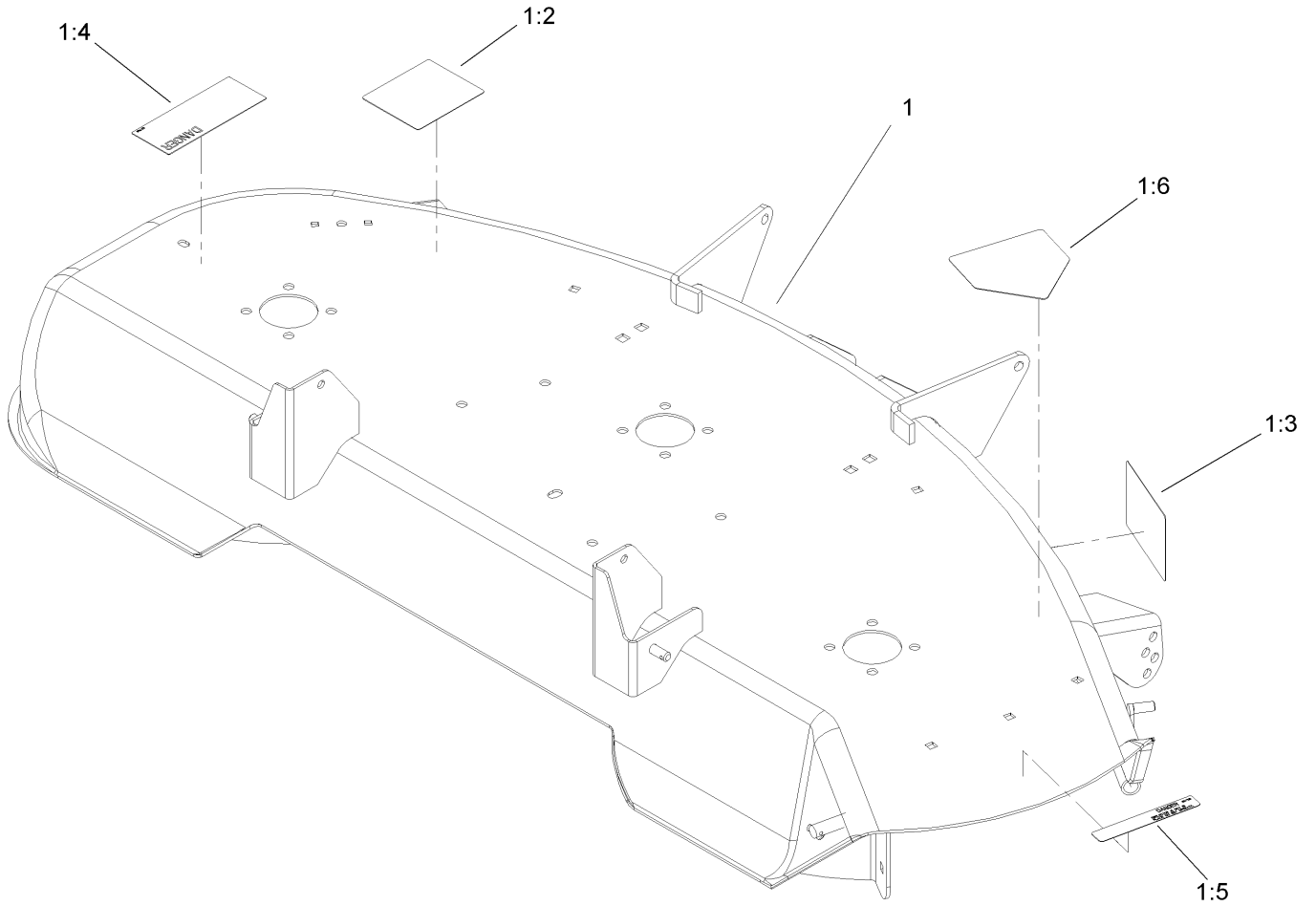
Ref	Part No.	Qty.	Description
24	11-9030	2	Screw-Shoulder
25	106-8737	2	Nut-Retainer
26	106-7017	2	Knob
27	106-2163	1	Cover-Hood



## 48 Inch Deck Assembly

Ref	Part No.	Qty.	Description
1	108-7173	1	48 Inch Deck ASM
2	108-8581-03	1	Bracket-Pivot
3	108-4052	1	Spring-Torsion
4	108-8591	1	Deflector ASM
5	108-7167-03	1	Cover-Belt, LH
6	108-7166-03	1	Cover-Belt, RH
7	3296-16	3	Nut-Lock, NI
8	3256-1	2	Washer-Flat
9	95-2747	1	Fitting-Washout
10	46-6290	1	O-Ring, Seal
11	95-3270	1	Connector-Hose
12	9335054	8	Pin-Hair
13	80-6990	6	Washer-Hardened
14	88-5570-03	4	Link-Adjusting, HOC
15	105-3437	4	Rod-Hanger
16	32128-25	2	Nut-HF
17	5-4460	2	Washer-Pivot
18	88-4230	2	Trunnion-HOC
19	7-0030	2	Screw-Shoulder, HH
20	3229-1	2	Screw-CARR
21	3256-25	2	Washer-Flat
22	3296-38	2	Nut-Lock, NI
24	108-8539	1	Bolt-HH
25	108-7159	1	Spacer-Deflector

Ref	Part No.	Qty.	Description
26	3230-18	4	Screw-CARR
27	3219-4	2	Nut-Hex
28	3256-23	1	Washer-Flat
30	3296-39	2	Nut-Lock, NI
31	94-1599	1	Roller
32	46-8560	8	Screw-HHF
33	3296-29	5	Nut-Lock, NI
34	110847	1	Roller-Shaft
35	701756	2	Wheel-Gage
36	56-6591	2	Screw-Shoulder, HWH
37	3272-21	1	Pin-Cotter
38	321-4	1	Screw-HH
39	108-7168-01	1	Plate-Reinforcement, Deck
40	3256-4	8	Washer-Flat

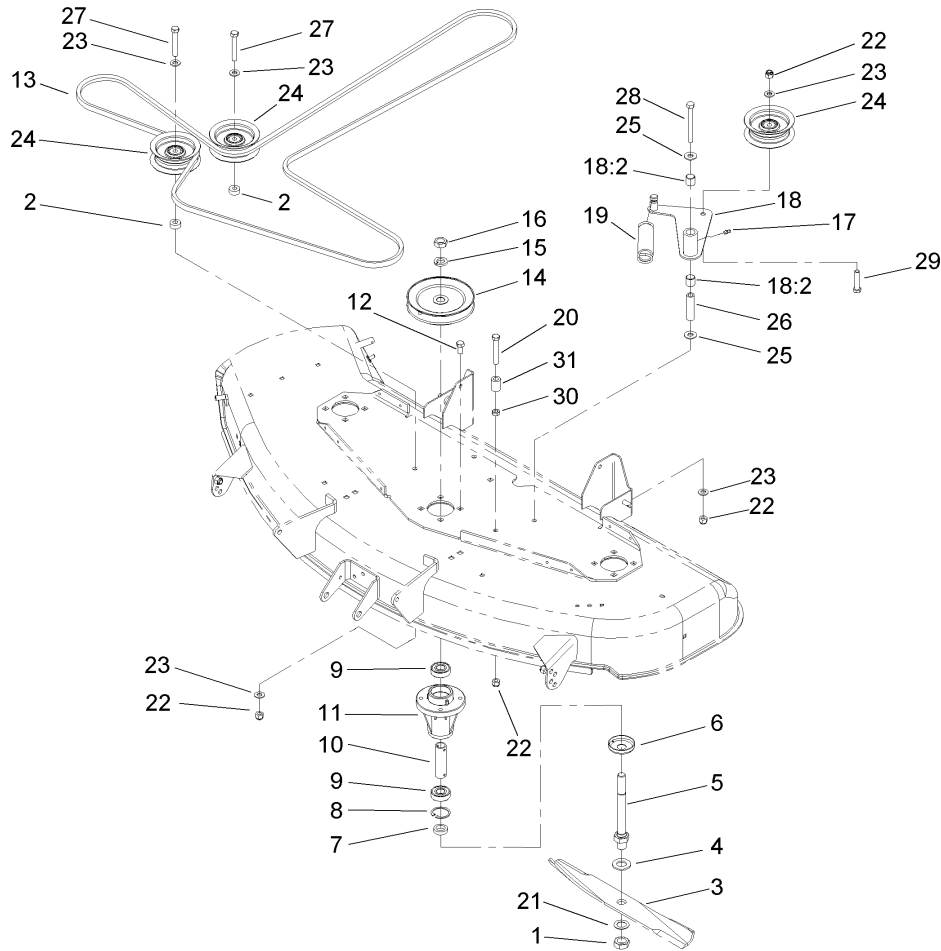


## 48 Inch Deck Decal Assembly No. 108-7173

Ref	Part No.	Qty.	Description
1		1	Deck ASM 48 W/Decals
1:2	99-3943	1	Decal-Routing, Belt
1:3	98-3798	1	Decal-Wheel, Gage
1:4	92-7108	1	Decal-Danger
1:5	92-7109	1	Decal-Caution
1:6	93-1122	1	Decal-Danger

--	--	--	--

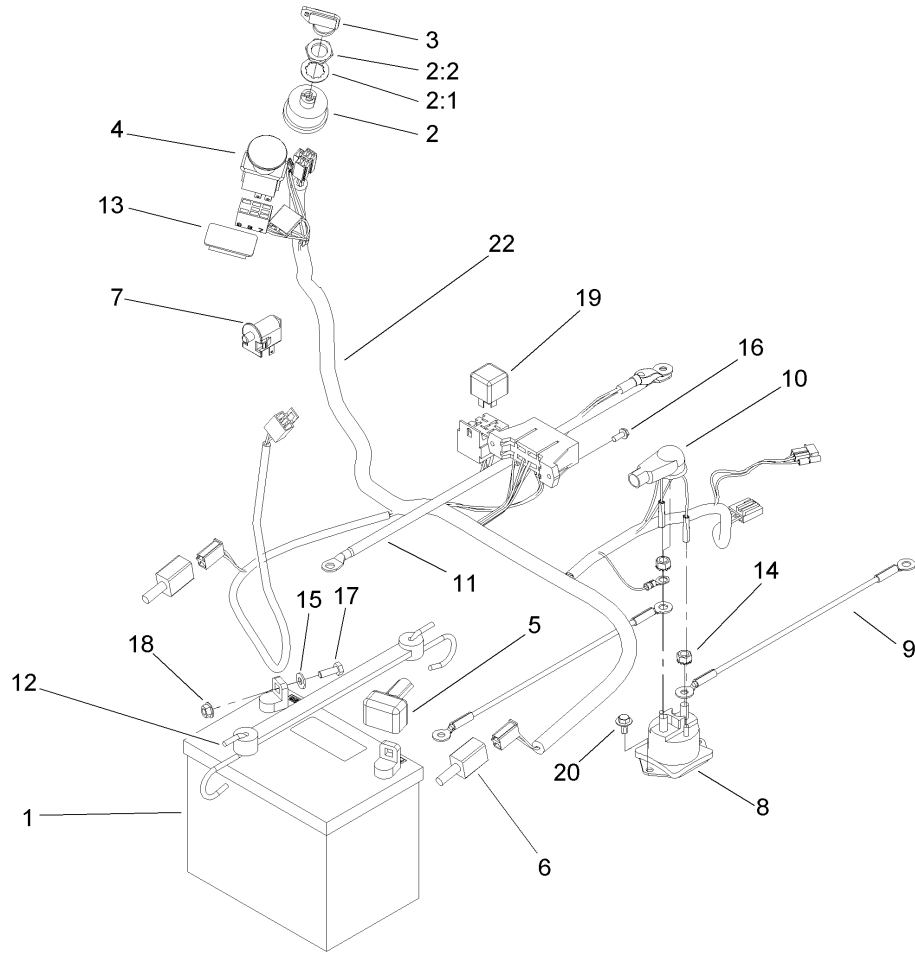




## 48 Inch Spindle and Belt Drive Assembly

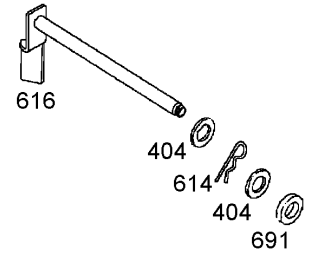
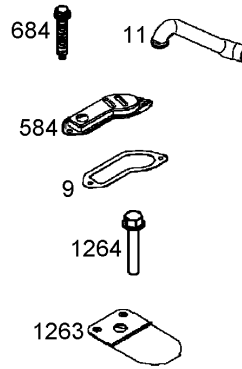
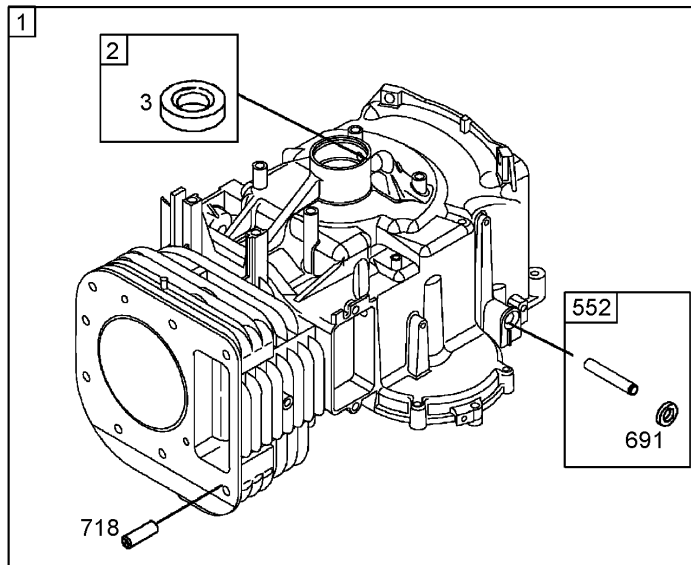
Ref	Part No.	Qty.	Description
1	3220-7	3	Nut-Jam
2	104-8426	2	Spacer
3	106637	3	Blade Kit (3 Pack)
4	3256-28	3	Washer-Flat
5	108-8527	3	Shaft-Spindle
6	106067	3	Cup-Spindle
7	106068	3	Spacer-Blade
8	32120-42	3	Ring-Retaining
9	100-1048	6	Bearing-Ball
10	116085	3	Tube
11	114568	3	Housing-Spindle
12	9080326	12	Screw-HH
13	108-7192	1	Belt-V
14	108-7165	3	Pulley ASM
15	3253-8	3	Washer-Lock
16	3220-6	3	Nut-Jam
17	302-19	1	Fitting-Grease
18	108-8551	1	Idler Arm ASM
18:2	1-513034	2	Sleeve-Bearing
19	1-603414	1	Spring-Extension
20	323-12	1	Screw-HH
21	9202574	3	Washer-Flat
22	3296-39	5	Nut-Lock, NI
23	3256-24	6	Washer-Flat

Ref	Part No.	Qty.	Description
24	106-2175	3	Pulley-Idler, Flat
25	1-809107	2	Washer-Hardened
26	1-603384	1	Bushing-Pivot, Idler
27	323-12	2	Screw-HH
28	1-800805	1	Screw-HH
29	323-9	1	Screw-HH
30	3217-7	1	Nut-Hex
31	106-5620	1	Tube-Interlock

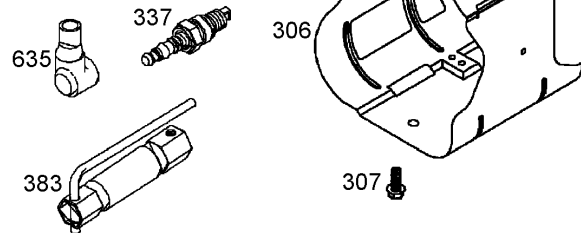


## Electrical Assembly

Ref	Part No.	Qty.	Description
1	104-2491	1	Battery
2	88-9830	1	Key Switch ASM
2:1	3254-5	1	Washer-Tooth
2:2	218-461	1	Nut-HH
3	63-8360	1	Key-Ignition
4	95-7489	1	Switch-PTO
5	28-8080	1	Boot-Terminal
6	106-2216	2	Switch
7	82-2190	1	Switch-Bail
8	106-8245	1	Solenoid-Starter
9	56-7670	2	Wire ASM
10	93-3190	1	Boot-Insulator, Terminal
11	95-7654	1	Cable-Negative, Black
12	104-2466	1	Holddown-Battery
13	99-7420	1	Plug-Hole
14	32149-2	2	Nut-Keps
15	3256-22	2	Washer-Flat
16	32144-1	3	Screw-Taptite
17	321-4	2	Screw-HH
18	32128-33	3	Nut-HF
19	98-7249	1	Relay
20	46-8560	2	Screw-HHF
22	108-8588	1	Harness-Wiring

- 1019 LABEL KIT
- 1058 OWNER'S MANUAL
- 1330 REPAIR MANUAL



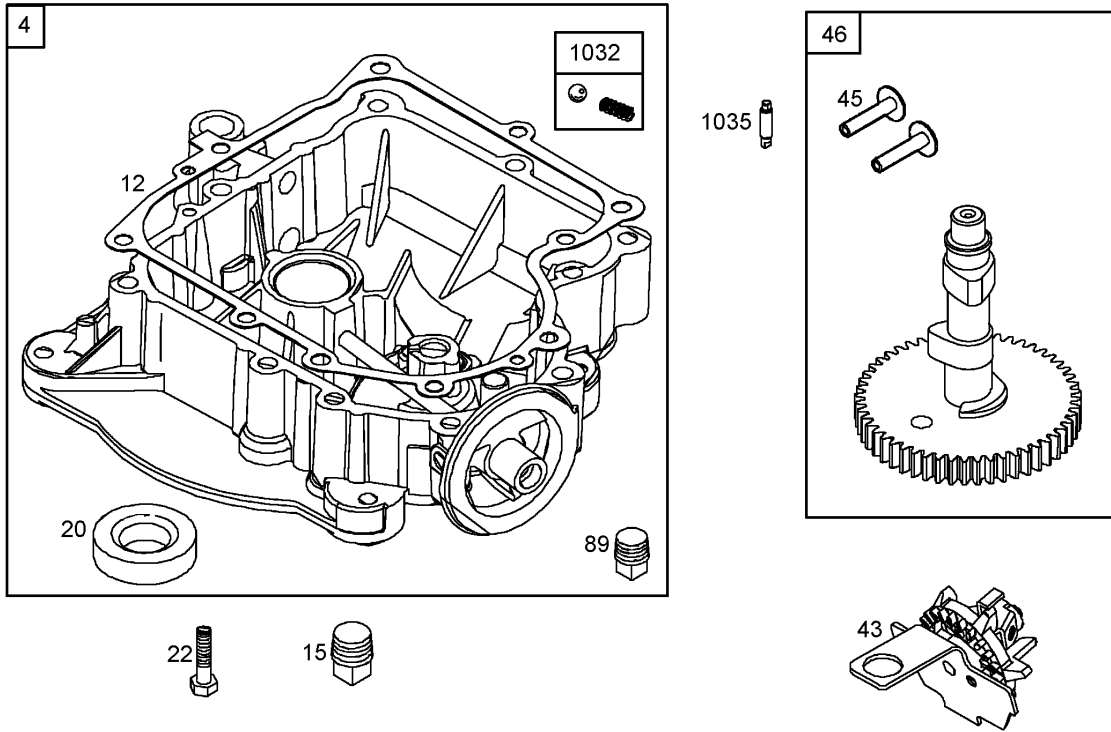
Assemblies include all parts shown in frames.

## Cylinder Assembly Briggs and Stratton 31K777-0190-E1

Ref	Part No.	Qty.	Description
1	697174	1	Cylinder ASM
2	399265	1	Bushing / Seal Kit (Magneto Side)
3	391086	1	Seal-Oil (Magneto Side)
9	697109	1	Gasket-Breather
11	697113	1	Tube-Breather
48	697762	1	Short Block ASM
306	697107	1	Shield-Cylinder
307	691003	1	Screw (Cylinder Shield)
337	491055	1	Plug-Spark
383	89838	1	Wrench-Plug, Spark
404	691691	1	Washer (Governor Crank)
552	697144	1	Bushing-Crank, Governor
584	697112	1	Cover-Passage, Breather
614	691620	1	Pin-Cotter
616	692012	1	Crank-Governor
635	691909	1	Boot-Spark Plug
684	697157	1	Screw (Breather Passage Cover)
691	692407	1	Seal-Shaft, Governor
718	690959	1	Pin-Locating
1019	697143	1	Label Kit
1058	275935	1	Operator's Manual
1263	697124	1	Reed-Breather
1264	697104	1	Screw (Breather Reed)
1330	272147	1	Repair Manual





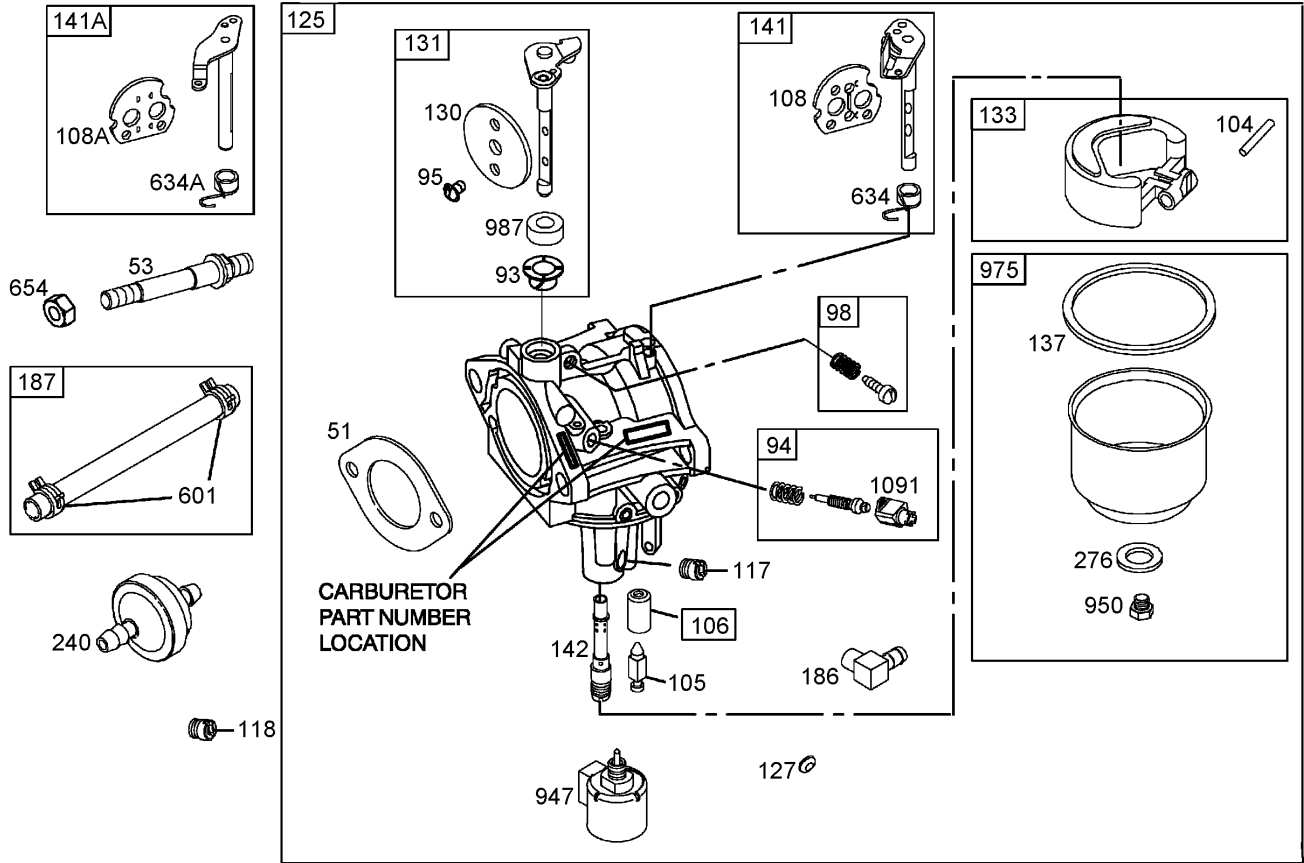
**Assemblies include all parts shown in frames.**

## Crankcase Assembly Briggs and Stratton 31K777-0190-E1

Ref	Part No.	Qty.	Description
4	697188	1	Sump-Engine
12	697110	1	Gasket-Crankcase
15	690946	1	Plug-Drain, Oil
20	690947	1	Seal-Oil (PTO Side)
22	692125	1	Screw (Engine Sump)
43	691968	1	Slinger-Governor, Oil
45	690564	1	Tappet-Valve
46	790400	1	Camshaft
89	690283	1	Plug-Oil
1032	491710	1	Ball-Pump, Oil
1035	693784	1	Shaft-Pump, Oil

--	--	--	--



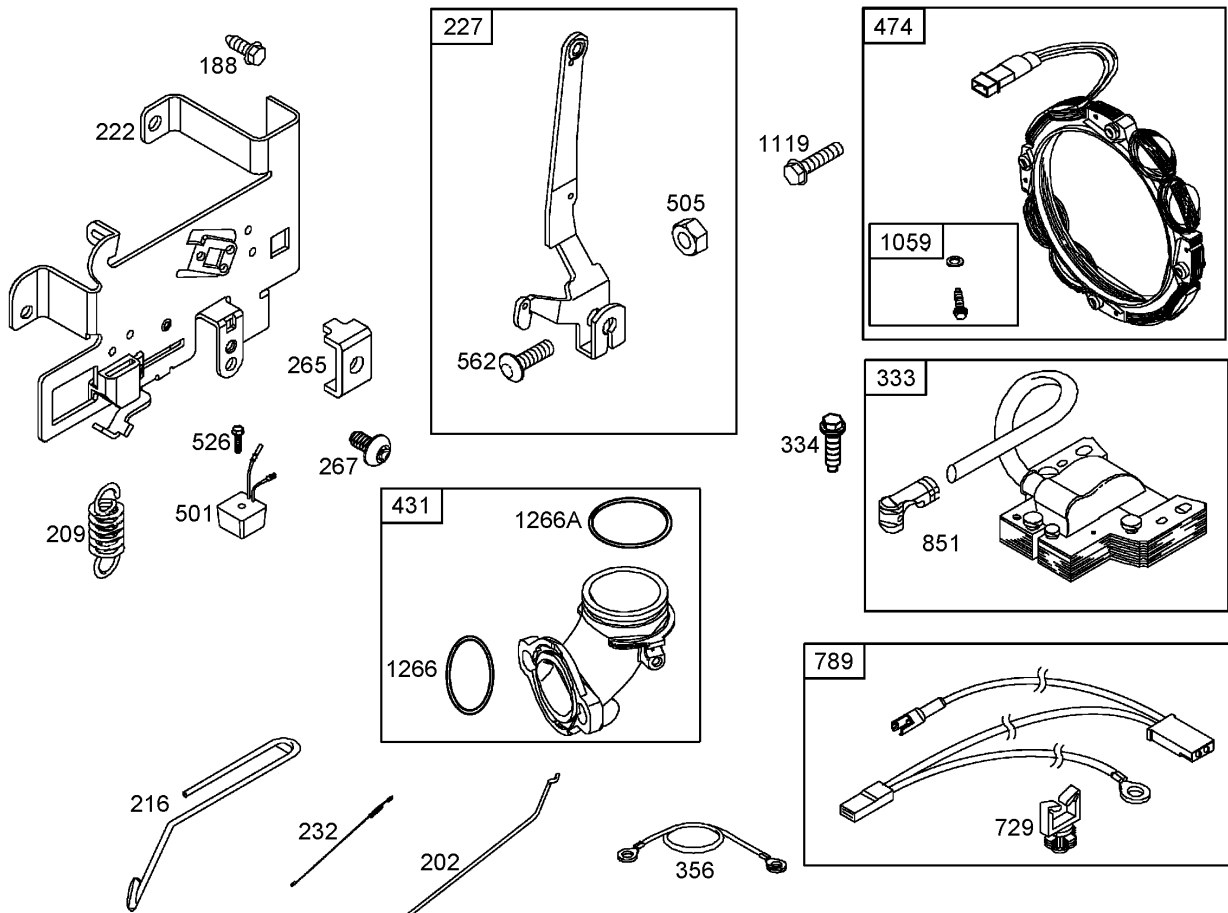


**Assemblies include all parts shown in frames.**

## Carburetor Assembly Briggs and Stratton 31K777-0190-E1

Ref	Part No.	Qty.	Description
●51	692137	1	Gasket-Intake
●53	690227	1	Stud (Carburetor)
●93	690602	1	Bushing-Shaft, Throttle
●94	498030	1	Idle Mixture Kit
●95	691636	1	Screw (Throttle Valve)
●98	495800	1	Idle Speed Kit
●104	690525	1	Pin-Hinge, Carburetor Float
●105	231855	1	Valve-Needle, Float
●106	690577	1	Seat-Inlet
●108	690464	1	Valve-Choke (Manual Choke)
●108A	692344	1	Valve-Choke (Choke A Matic)
●117	694352	1	Jet-Main (STD)
●118	697228	1	Jet-Main (High Altitude)
●125	698445	1	Carburetor
●127	695005	1	Plug-Welch
●130	691750	1	Valve-Throttle
●131	494379	1	Throttle Shaft Kit
●133	494381	1	Float-Carburetor
●137	281165	1	Gasket-Bowl, Float
●141	495097	1	Choke Shaft Kit (Manual Choke)
●141A	495931	1	Choke Shaft Kit (Choke A Matic)
●142	697140	1	Nozzle-Carburetor
●186	698174	1	Connector-Hose

Ref	Part No.	Qty.	Description
●187	697098		Line-Fuel (Cut To Required Length)
●240	394358	1	Filter-Fuel
●276	692255	1	Washer-Sealing
●601	95162	1	Clamp-Hose
●634	690801	1	Spring / Seal ASM
●634A	690802	1	Spring And Seal ASM
●654	690958	1	Nut (Carburetor)
●947	694393	1	Solenoid-Fuel
●950	691657	1	Screw (Float Bowl)
●975	495933	1	Bowl-Float
●987	691326	1	Seal-Shaft, Throttle
●1091	691333	1	Cap-Limiter



Assemblies include all parts shown in frames.

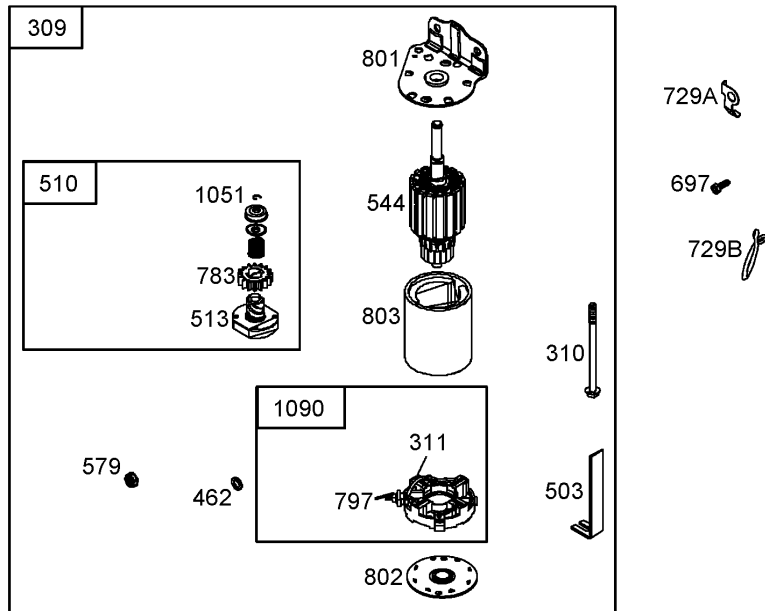
## Governor Assembly

### Briggs and Stratton 31K777-0190-E1

Ref	Part No.	Qty.	Description
● 188	691693	1	Screw (Control Bracket)
● 202	691841	1	Link-Governor, Mechanical
● 209	692208	1	Spring-Governor
● 216	691840	1	Link-Choke
● 222	694042	1	Bracket-Control
● 227	691374	1	Lever-Control, Governor
● 232	691842	1	Spring-Link, Governor
● 265	691024	1	Clamp-Casing
● 267	695134	1	Screw (Casing Clamp)
● 333	492341	1	Armature-Magneto
● 334	691061	1	Screw (Magneto Armature)
● 356	697089	1	Stop-Wire
● 431	697122	1	Elbow-Intake
● 474	696458	1	Alternator
● 501	691185	1	Regulator
● 505	691251	1	Nut (Governor Control Lever)
● 526	697348	1	Screw (Regulator)
● 562	691119	1	Bolt (Governor Control Lever)
● 729	691335	1	Clip-Wire
● 789	692037	1	Wiring-Harness
● 851	493880	1	Terminal-Spark Plug
● 1059	698516	1	Screw And Washer Kit
● 1119	691183	1	Screw (Alternator)
● 1266	691917	1	Seal-O Ring (Intake Elbow)

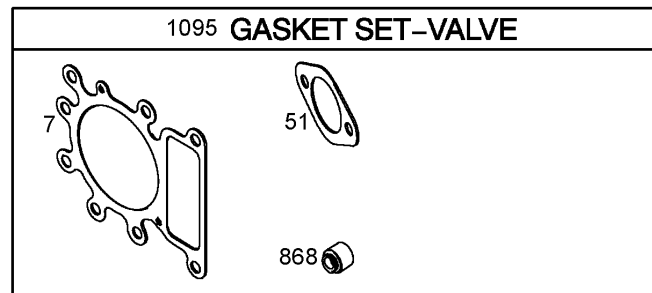
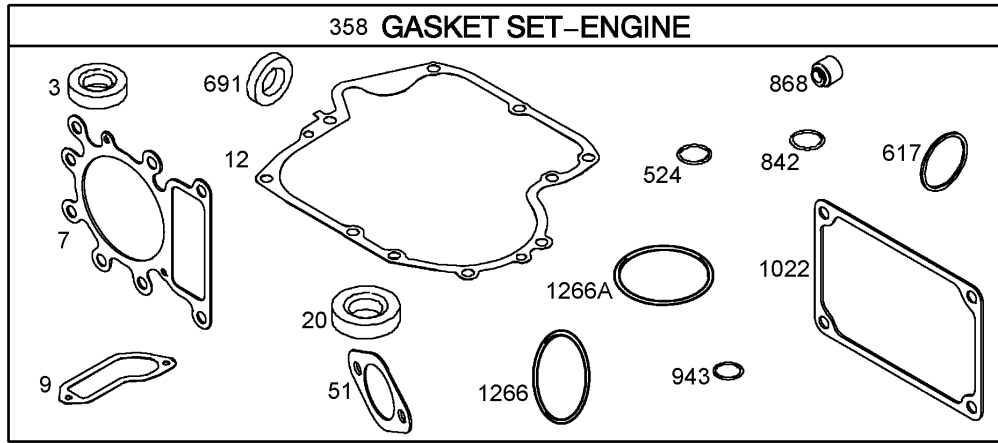
Ref	Part No.	Qty.	Description
● 1266A	697123	1	Seal-O Ring (Intake Elbow)





## Starter Assembly Briggs and Stratton 31K777-0190-E1

Ref	Part No.	Qty.	Description
309	693551	1	Motor-Starter
310	690323	1	Bolt (Starter Motor)
311	497608	1	Brush Set
462	691261	1	Washer (Brush Retainer)
503	691532	1	Strap-Starter
510	693699	1	Drive-Starter
513	692024	1	Clutch-Drive
544	692034	1	Armature-Starter
579	691029	1	Nut (Brush Retainer)
697	690372	1	Screw (Drive Cap)
729A	691224	1	Clip-Wire
729B	694123	1	Clip-Wire
783	693713	1	Gear-Pinion
797	693167	1	Nut (Brush Retainer)
801	691283	1	Cap-Drive
802	691286	1	Cap-End
803	693757	1	Housing-Starter
1051	691265	1	Ring-Retaining
1090	691293	1	Retainer-Brush



**Assemblies include all parts shown in frames.**

## Engine and Valve Gasket Set Assemblies Briggs and Stratton 31K777-0190-E1

Ref	Part No.	Qty.	Description
3	391086	1	Seal-Oil (Magneto Side)
7	699168	1	Gasket-Head, Cylinder
9	697109	1	Gasket-Breather
12	697110		Gasket-Crankcase
20	690947	1	Seal-Oil (PTO Side)
51	692137	1	Gasket-Intake
358	697191	1	Gasket Set-Engine
617	692138	1	Seal (Intake Manifold)
524	691032	1	Seal (Dipstick Tube)
691	692407	1	Seal-Shaft, Governor
842	691031	1	Seal (Dipstick Tube)
868	690968	1	Seal-Valve
943	690589	1	Seal-O Ring (Oil Pump Cover)
1022	272475	1	Gasket-Cover, Rocker
1095	691581	1	Valve Gasket Set
1266	691917	1	Seal-O Ring (Intake Elbow)
1266A	697123	1	Seal-O Ring (Intake Elbow)



## NOTES

# NOTES

# NOTES

