



## 22in Recycler<sup>®</sup> Lawn Mower

Model No. 20065 - 280000001 and up.

### Parts Catalog

---

#### **Ordering Replacement Parts**

To order replacement parts, please supply the part number, the quantity, and the description of each part desired.

#### **Understanding Reference Numbers**

Each identified part in an illustration has a reference number. The reference number for a part also appears in the parts list, along with other information about the part.

This catalog uses two special reference number formats, one to indicate parts in a service assembly and another to indicate the quantity of a given part in an illustration.

#### **Service Assembly Reference Numbers**

Parts in service assemblies have reference numbers in the form a:b. The a represents the reference number of the entire service assembly and the b represents a sequential number unique to each part within the service assembly.

For example, a wheel assembly might be identified by reference number 6, the tire by 6:1, the valve by 6:2, and the wheel by 6:3. When you order the assembly identified by reference number 6, you receive all parts identified by reference numbers 6:1, 6:2, and 6:3. However, you may also order any part individually. Reference numbers of this type appear in illustrations and in part lists.

#### **Reference Numbers Indicating Quantity**

In an illustration, if a reference number indicates more than one part, the reference number has the form nX y. The n represents the quantity of the part, the X is the multiplication symbol, and the y represents the reference number.

For example, in an illustration, the reference number 2X 37 means that two of the parts identified by reference number 37 are indicated.

# Contents

Description	Page	Description	Page
Deck, Side Chute and Rear Door Assembly	3	Air Cleaner Assembly Briggs and Stratton 124T02-0161-B1	14
Rear Axle Assembly	4	Governor Assembly Briggs and Stratton 124T02-0161-B1	15
Front Axle and Transmission Assembly	5	Muffler and Fuel Tank Assembly Briggs and Stratton 124T02-0161-B1	16
Transmission Assembly No. 106-3955	6	Blower Housing Assembly Briggs and Stratton 124T02-0161-B1	17
Engine and Blade Assembly	7	Starter Assembly Briggs and Stratton 124T02- 0161-B1	18
Handle Assembly	8	Engine Gasket Set Briggs and Stratton 124T02-0161-B1	19
Rear Bag Assembly	9	Carburetor Overhaul Kit Briggs and Stratton 124T02-0161-B1	20
Cylinder Assembly Briggs and Stratton 124T02-0161-B1	10	Attachments and Accessories List	21
Crankshaft Assembly Briggs and Stratton 124T02-0161-B1	11		
Crankcase Assembly Briggs and Stratton 124T02-0161-B1	12		
Carburetor Assembly Briggs and Stratton 124T02-0161-B1	13		

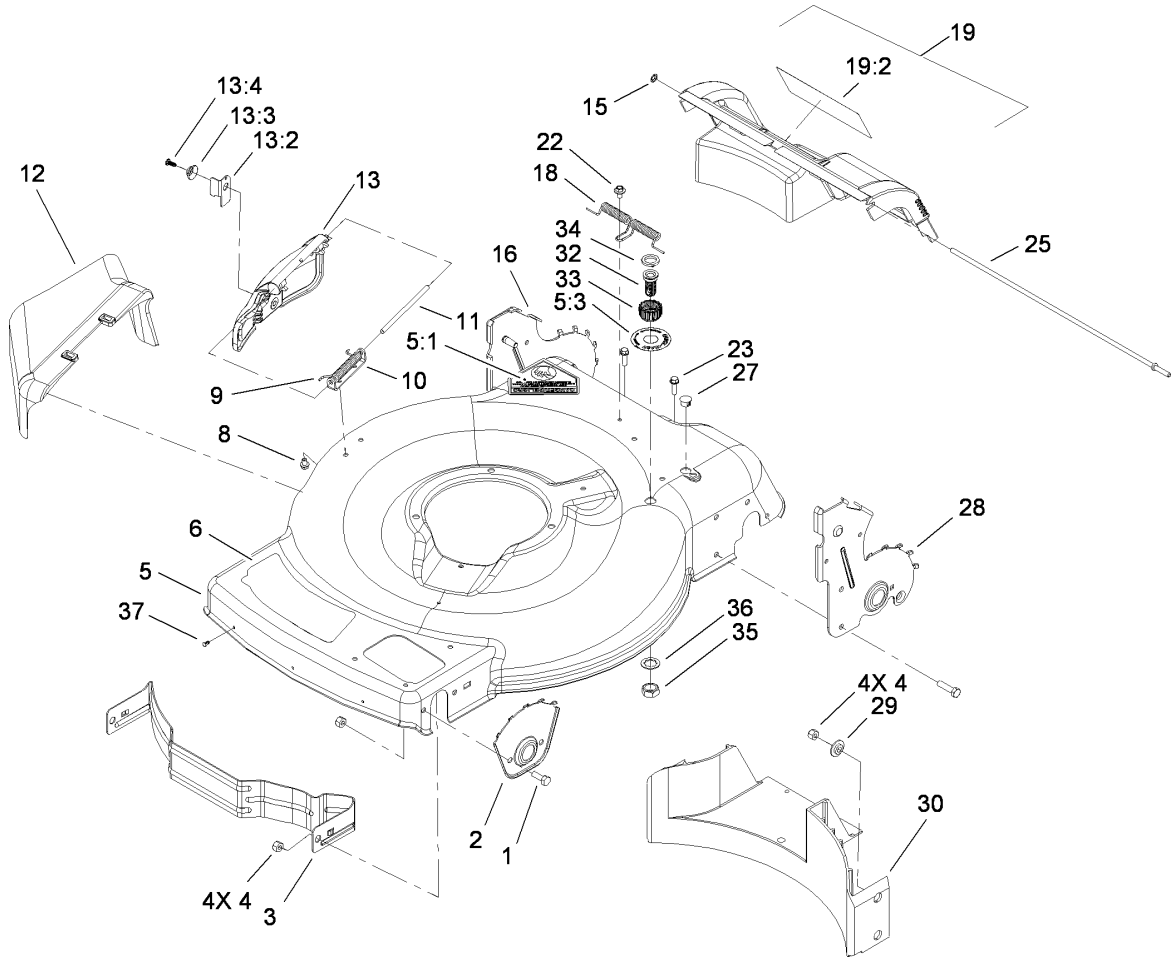
## Part Description Abbreviations

Part descriptions in this catalog may include the following abbreviations.

AR. . . . . as required	HWHTF. . . . . hex washer head thread forming
ASM. . . . . assembly	HYD. . . . . hydraulic
BBC. . . . . blade brake clutch	LH. . . . . left hand
CARR. . . . . carriage	NI. . . . . nylon insert
CCW. . . . . counter clock wise	NPTF. . . . . national pipe thread fine
CW. . . . . clockwise	PFH. . . . . phillips flat head
DEG. . . . . degrees	PPH. . . . . phillips pan head
ECM. . . . . electronic control module	PPHTF. . . . . phillips pan head thread forming
EXT. . . . . external	PRH. . . . . phillips round head
FH. . . . . flat head	PTH. . . . . phillips truss head
GA. . . . . gauge	PTO. . . . . power-take-off
HD. . . . . heavy-duty	RH. . . . . right hand
HF. . . . . hex flange	ROPS. . . . . roll-over protection system
HH. . . . . hex head	SFH. . . . . slotted fillister head
HHF. . . . . hex head flange	SHH. . . . . slotted hex head
HHFTF. . . . . hex head flange thread forming	SHWH. . . . . slotted hex washer head
HJ. . . . . hex jam	SPH. . . . . slotted pan head
HLH. . . . . hex lag head	SQH. . . . . square head
HOC. . . . . height-of-cut	SRH. . . . . slotted round head
HSBH. . . . . hex socket button head	STD. . . . . standard
HSFH. . . . . hex socket flat head	TAP. . . . . self tapping
HSH. . . . . hex socket head	TTH. . . . . torx truss head
HWH. . . . . hex washer head	

## Footnotes

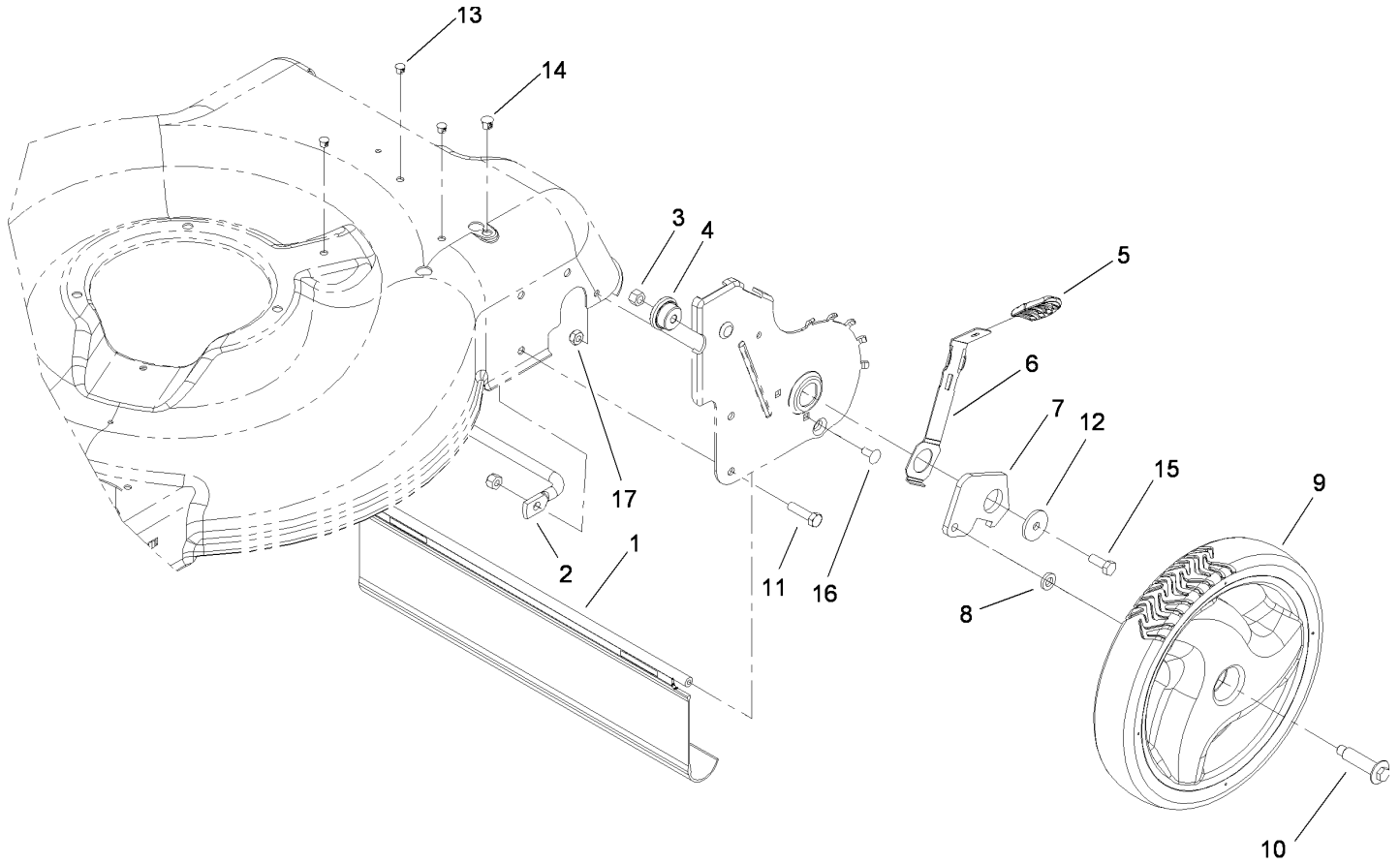
- |  |  |
|--|--|
| ❶ Not serviced separately                            | ❷ Obtain parts from <a href="http://www.briggsandstratton.com">www.briggsandstratton.com</a> |
| ❸ Included in Carburetor Overhaul Kit (Ref. No. 121) | ❹ Included in Engine Gasket Set (Ref. No. 358)   |
| ❺ Included in Carburetor Gasket Set (Ref. No. 977)   |  |



## Deck, Side Chute and Rear Door Assembly

Ref	Part No.	Qty.	Description
1	322-3	4	Screw-HH
2	105-1808-03	2	Plate-HOC, Front
3	104-8694-03	1	Baffle-Front
4	3296-29	8	Nut-Lock, NI
5	112-8850	1	Housing ASM
5:1	94-8072	1	Decal-Danger
5:3	112-8867	1	Decal
6	114-0322	1	Decal-Deck
8	99-8445	2	Screw-HWH
9	99-5293	1	Spring-Torsion
10	112-6416	1	Bracket-Cover
11	99-5291	1	Rod-Cover
12	105-3028	1	Chute-Discharge, Side
13	106-8376	1	Discharge Door ASM
13:2	107-0795	1	Latch-Door
13:3	107-7456	1	Cap-Door
13:4	107-7461	1	Screw-Plastite
15	32112-6	1	Nut-Push
16	112-6445	1	11 Inch RH HOC Plate ASM
18	105-3032	1	Spring-Door, Rear
19	112-8864	1	Rear Door ASM
19:2	112-8759	1	Decal-Warning
22	46-6810	1	Screw And Washer ASM
23	46-8091	2	Screw-HWH

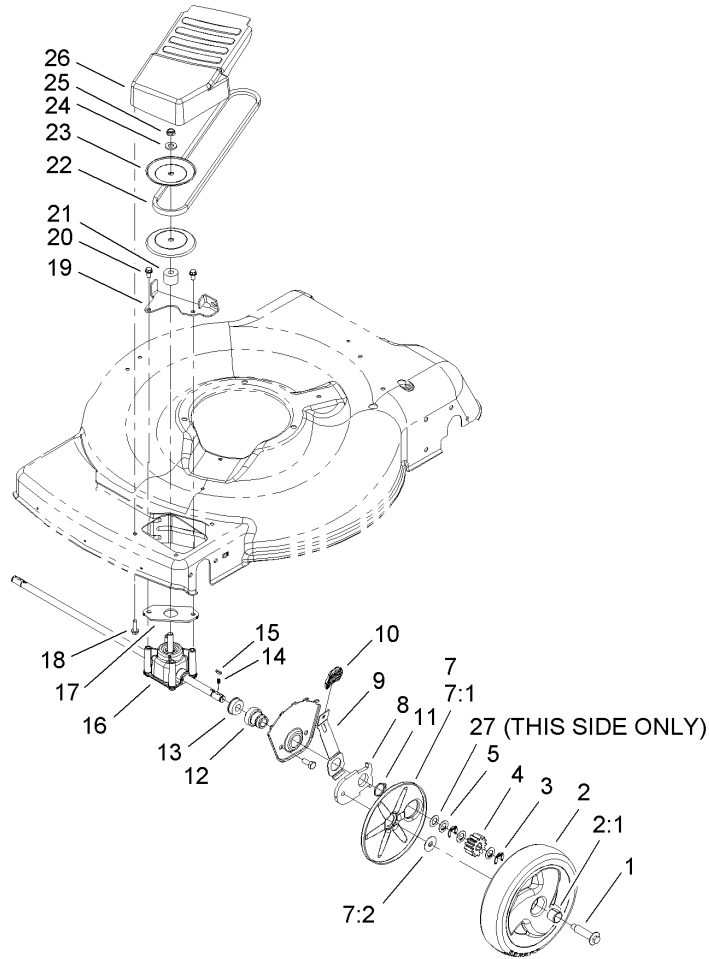
Ref	Part No.	Qty.	Description
25	105-1827	1	Rod-Pivot, Rear Door
27	104-9369	1	Plug-Dome
28	112-6447	1	11 Inch LH HOC Plate ASM
29	105-3006	4	Washer-Stepped
30	105-3047	1	Baffle-Rear
32	112-6400	1	Port-Washout
33	112-6401	1	Coupling-Hose, Washout Port
34	112-6438	1	Washer-Seal, Washout Port
35	3218-6	1	Nut-Jam
36	3254-5	1	Washer-Tooth
37	112-6436	3	Plug-Arrow



## Rear Axle Assembly

Ref	Part No.	Qty.	Description
1	114-1585	1	Shield-Trailing
2	105-1811	1	Brace-Plate, HOC
3	32153-3	2	Nut-Hex, Side Deform
4	110-1612	2	Bushing-Mount
5	105-3042	2	Knob-Lever, HOC
6	110-1630	2	Arm-11 Inch Spring, Rear
7	105-1819	2	Arm-Pivot, Rear
8	110-7466	2	Washer-Bolt, Wheel
9	110-1632	2	11 Inch Wheel ASM
10	614650	2	Bolt-Shoulder
11	322-6	4	Screw-HH
12	105-3048	2	Washer-Flat
13	104-9373	3	Plug-Dome
14	104-9368	1	Plug-Dome
15	322-4	2	Screw-HH
16	3229-11	4	Screw-CARR
17	3296-16	4	Nut-Lock, NI

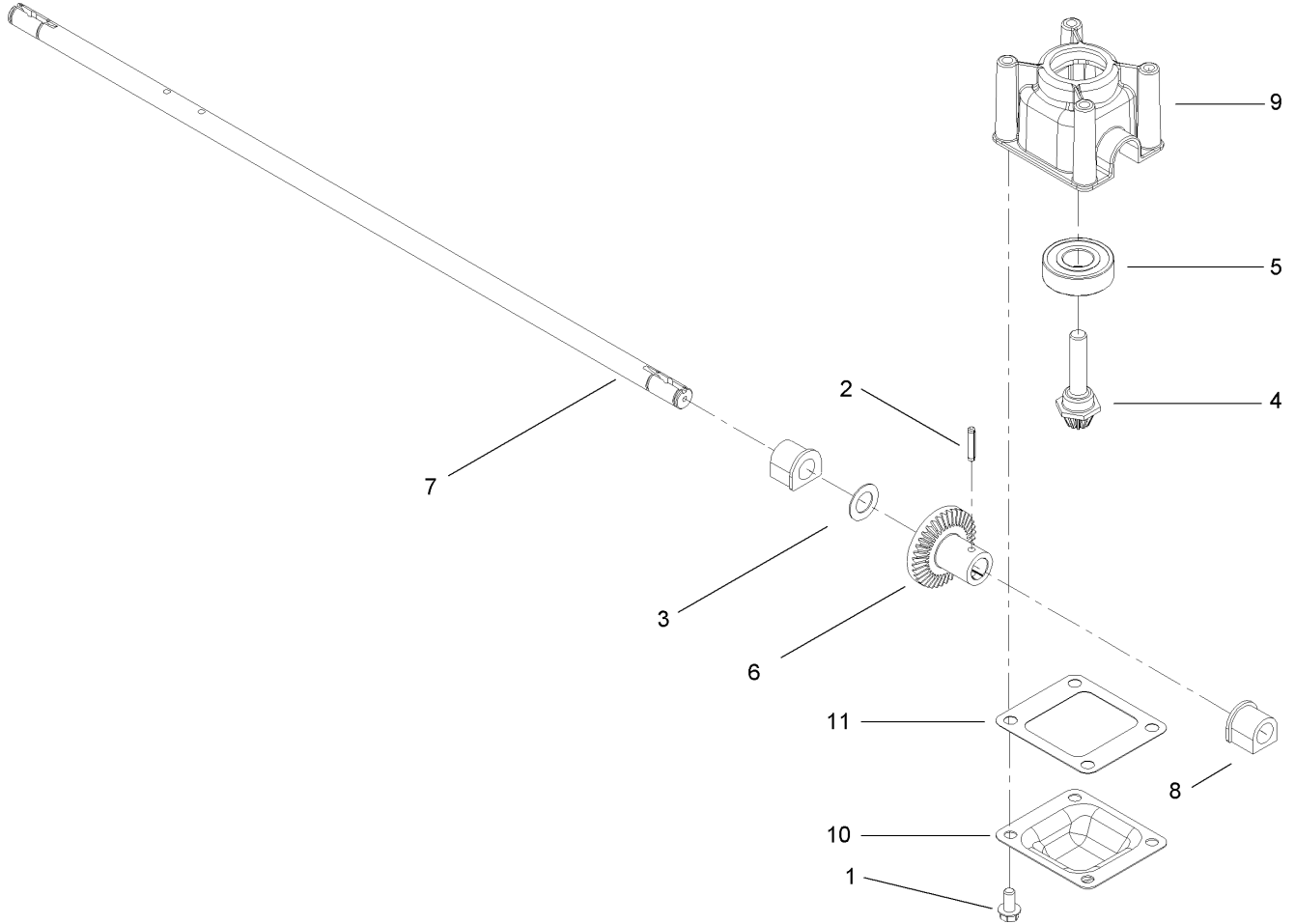
--	--	--	--



## Front Axle and Transmission Assembly

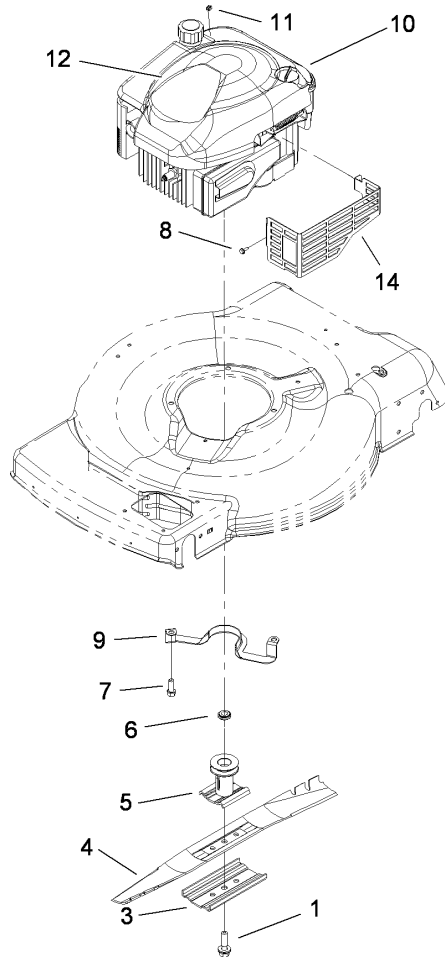
Ref	Part No.	Qty.	Description
1	614650	2	Bolt-Shoulder
2	105-1815	2	Wheel Gear ASM
2:1	27-6250	2	Bushing
3	65-2720	4	Ring-Clip, Locking
4	104-8670	2	Gear-Pinion, 13T
5	105-6840	6	Washer-Thrust
7	110-1792	2	Wheel Cover ASM
7:1		1	Cover-Wheel
7:2	614426	1	Washer-Stepped
8	105-1807	2	Arm-Pivot, Front
9	105-1809	2	Arm-Spring
10	105-3042	2	Knob-Lever, HOC
11	32151-36	2	Ring-Retaining
12	104-8698	2	Retainer-Bearing, HOC
13	104-8699	2	Bearing-Ball
14	39-9650	2	Spring-Compression
15	612066	2	Key
16	106-3955	1	Transmission ASM
17	108-9756	1	Gasket-Gearbox
18	46-8091	2	Screw-HWH
19	105-1833-03	1	Bracket-Pivot, Fwd
20	32144-4	2	Screw-HWH
21	92-5791	1	Spacer
22	91-2258	1	V-Belt

Ref	Part No.	Qty.	Description
23	104-8691	2	Pulley-Half, Front
24	3256-24	1	Washer-Flat
25	3296-5	1	Nut-Lock
26	105-1839	1	Cover-Belt, Front
27	36-4780	1	Washer-Plain



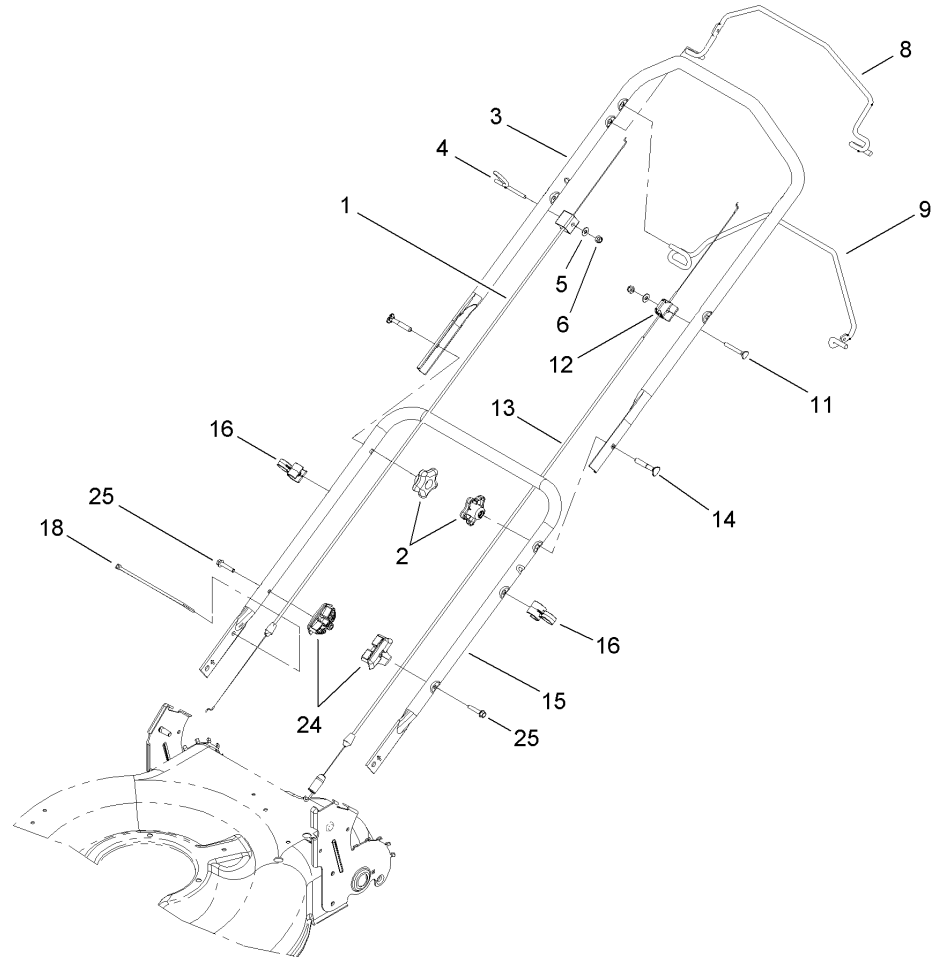
### Transmission Assembly No. 106-3955

Ref	Part No.	Qty.	Description
1	32144-4	4	Screw-HWH
2	3285-19	1	Pin-Groove
3	36-4780	1	Washer-Plain
4	92-5790	1	Pinion
5	100-1048	1	Bearing-Ball
6	104-8671	1	Gear-Bevel, 37T
7	106-3957	1	Shaft-Output
8	104-8673	2	Bushing-Shaft, Output
9	104-8674	1	Gearcase-Upper
10	104-8675-03	1	Cover-Gearcase
11	105-6839	1	Gasket-Gearcase



## Engine and Blade Assembly

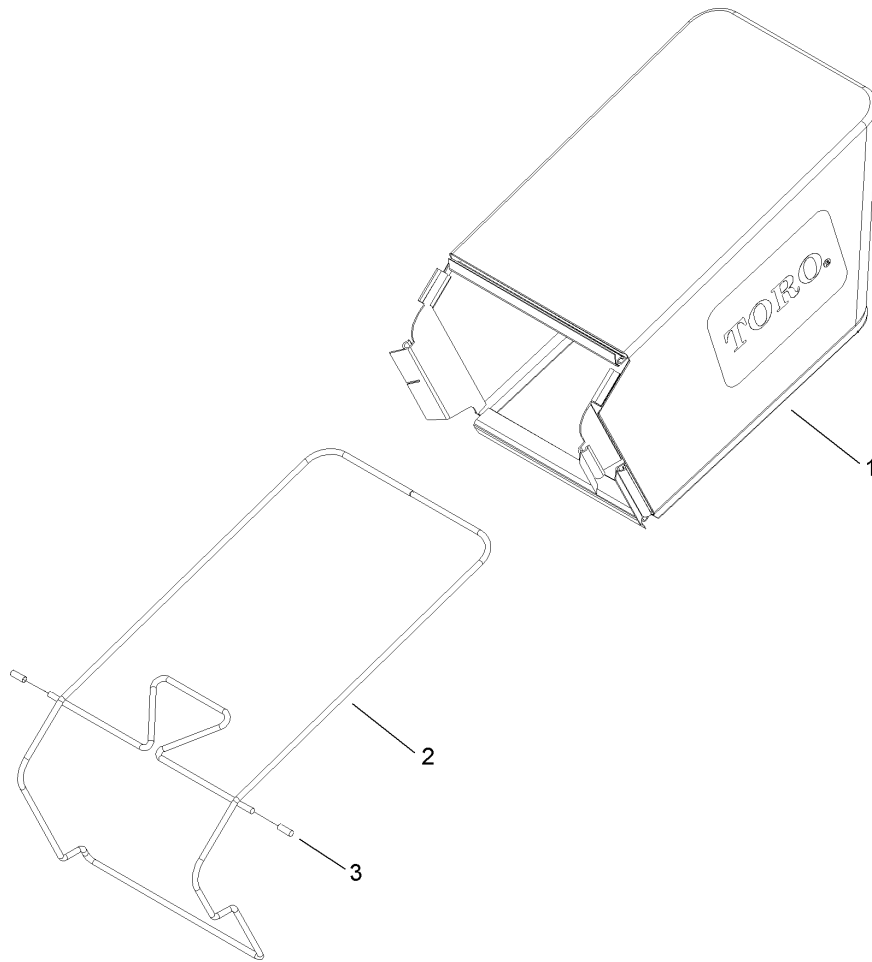
Ref	Part No.	Qty.	Description				
1	105-8579	1	Bolt-Blade				
3	108-3766-03	1	Support-Blade				
4	108-9764-03	1	Blade-22 Inch				
5	106-3987	1	Blade Driver ASM				
6	106-3999	1	Spacer-Driver				
7	95-1726	3	Screw-Taptite				
8	32144-1	3	Screw-Taptite				
9	105-3031-03	1	Guide-Belt				
10		1	Engine-Briggs And Stratton, 124T02-0161-B1				
11	92-1701	1	Stop-Rope				
12	115-1310	1	Decal				
14	104-7577-03	1	Shield-Muffler				



# Handle Assembly

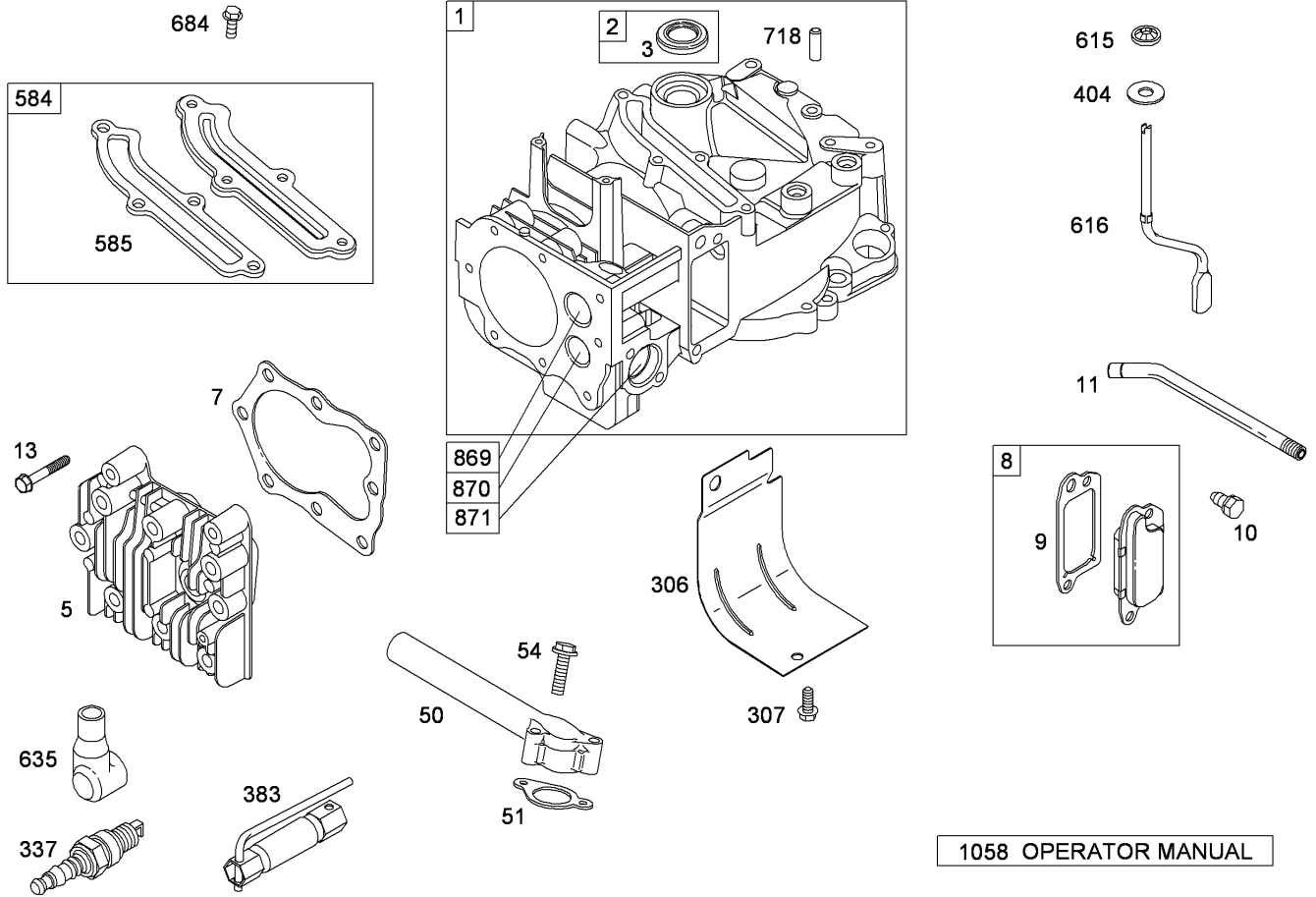
Ref	Part No.	Qty.	Description
1	108-8156	1	Cable-Brake
2	108-8162	2	Knob-Locking
3	108-9789-05	1	Handle-Upper
4	106-8330	1	Guide-Rope
5	3256-1	2	Washer-Flat
6	3296-73	2	Nut-Lock, NI
8	114-7923-03	1	Bail-Brake
9	108-9790-03	1	Bail-Traction
11	95-4453	1	Screw
12	92-7729	1	Anchor-Cable, Upper
13	105-1845	1	Cable-Traction
14	112-8876	2	Screw-Handle
15	112-6440-05	1	Handle-Lower
16	106-6805	2	Guide-Cable
18	614249	1	Strap-Tie
24	108-9788	2	Anchor-Bag
25	32144-110	2	Screw-HWH





## Rear Bag Assembly

Ref	Part No.	Qty.	Description				
1	108-9792	1	Grass Bag ASM				
2	108-9785-03	1	Frame-Bag				
3	112-6439	2	Cap-End				



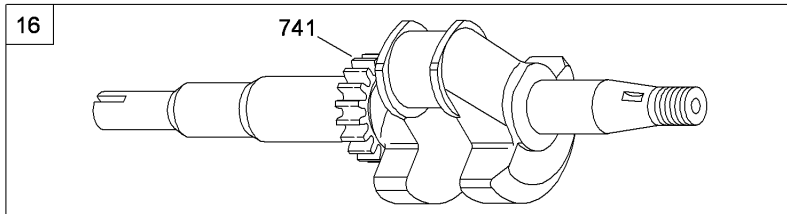
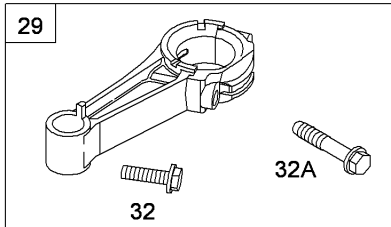
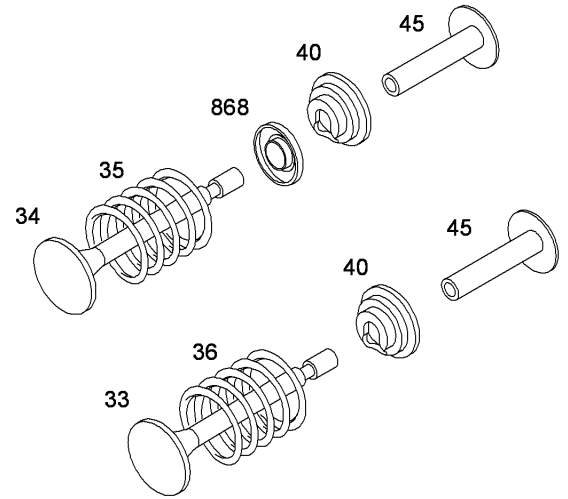
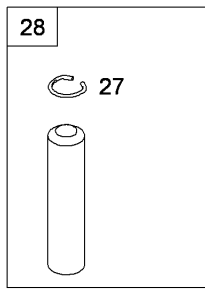
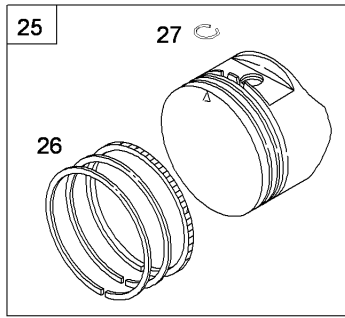
Assemblies include all parts shown in frames

# Cylinder Assembly

## Briggs and Stratton 124T02-0161-B1

Ref	Part No.	Qty.	Description
1	697322	1	Cylinder ASM
2	399269	1	Bushing And Seal Kit
3	299819s	1	Seal-Oil (Magneto Side)
5	691160	1	Head-Cylinder
7	692249	1	Gasket-Head, Cylinder
8	695250	1	Breather ASM
9	696125	1	Gasket-Breather
10	691125	1	Screw (Breather ASM)
11	691781	1	Tube-Breather
13	690912	1	Screw (Cylinder Head)
50	497465	1	Manifold-Intake
51	272199s	1	Gasket-Intake
54	691650	1	Screw (Intake Manifold)
306	690450	1	Shield-Cylinder
307	690345	1	Screw (Cylinder Shield)
337	802592s	1	Spark Plug
383	89838s	1	Wrench-Spark Plug
404	690272	1	Washer (Governor Crank)
584	697734	1	Cover-Passage, Breather
585	691879	1	Gasket-Passage, Breather
615	690340	1	Retainer-Shaft, Governor
616	698801	1	Crank-Governor
635	66538s	1	Boot-Spark Plug
684	690345	1	Screw (Breather Passage Cover)

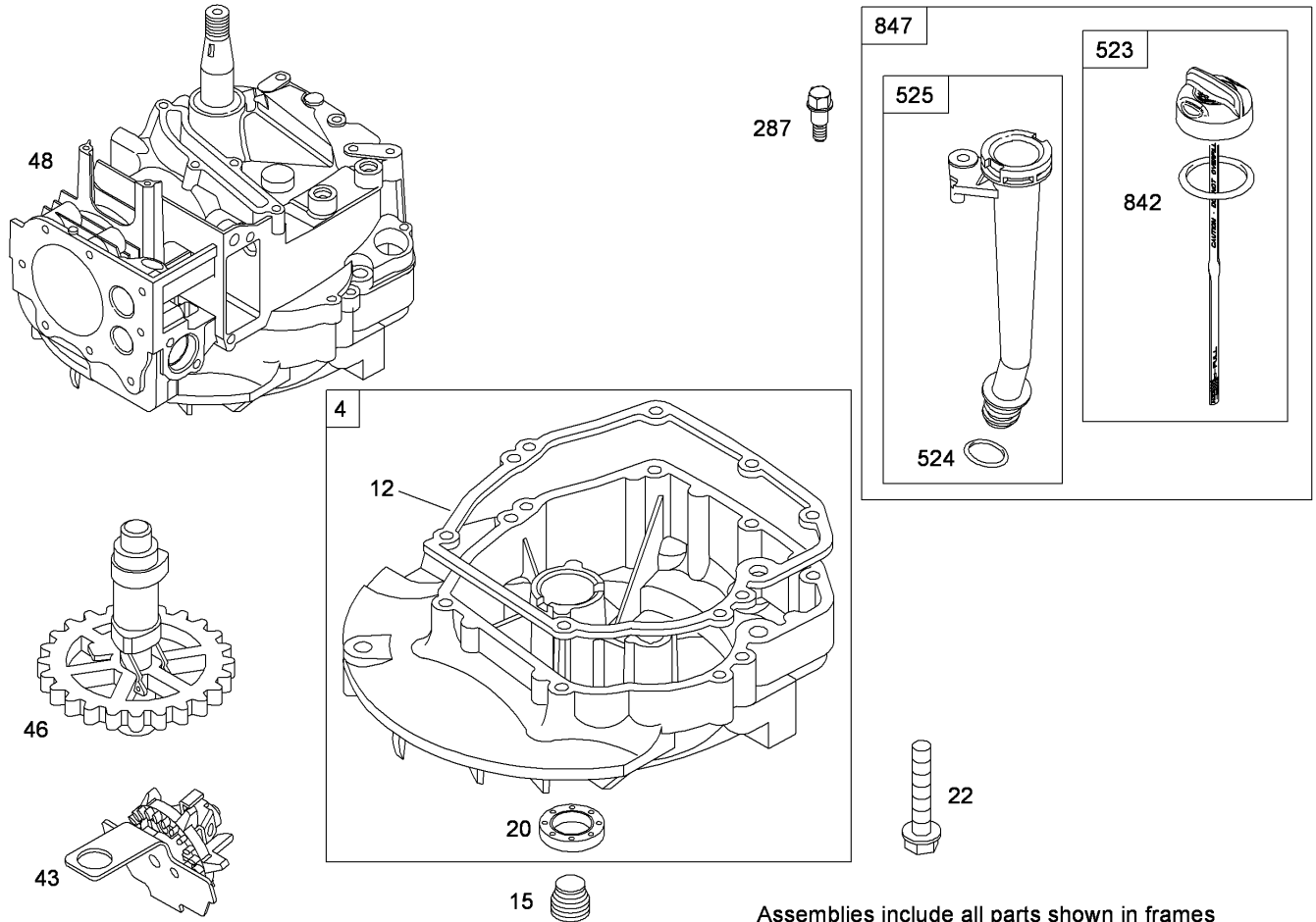
Ref	Part No.	Qty.	Description
718	690959	1	Pin-Locating
869	691155	1	Seat-Valve (Intake)
870	690380	1	Seat-Valve (Exhaust)
871	262001	1	Bushing-Guide (Exhaust)
871	63709	1	Bushing-Guide (Intake)
1058	277039TRI	1	Operator Manual



Assemblies include all parts shown in frames

## Crankshaft Assembly Briggs and Stratton 124T02-0161-B1

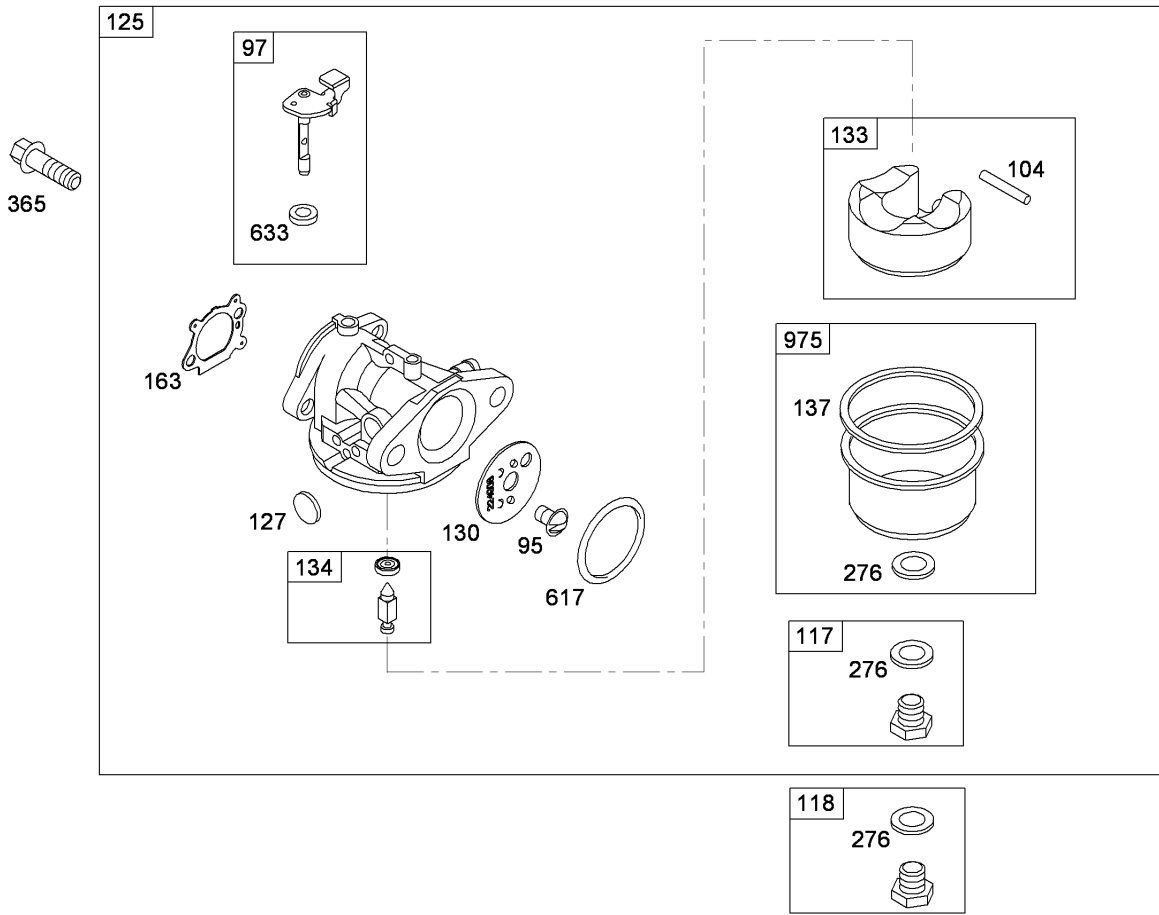
Ref	Part No.	Qty.	Description
● 16	696009	1	Crankshaft
● 24	222698s	1	Key-Flywheel
● 25	791097	1	Piston ASM (STD)
● 25	791326	1	Piston ASM (.020 O S)
● 26	791098	1	Ring Set (STD)
● 26	791324	1	Ring Set (.020 O S)
● 27	691866	1	Lock-Pin, Piston
● 28	499423	1	Pin-Piston (STD)
● 29	499424	1	Rod-Connecting (STD)
● 32	691664	1	Screw (Connecting Rod)
● 32A	695759	1	Screw (Connecting Rod)
● 33	262651s	1	Valve-Exhaust
● 34	262652s	1	Valve-Intake
● 35	691270	1	Spring-Valve (Intake)
● 36	691270	1	Spring-Valve (Exhaust)
● 40	692194	1	Retainer-Valve
● 45	690548	1	Tappet-Valve
● 741	790345	1	Gear-Timing
● 868	697338	1	Seal-Valve

Assemblies include all parts shown in frames

## Crankcase Assembly Briggs and Stratton 124T02-0161-B1

Ref	Part No.	Qty.	Description
②4	493279	1	Sump-Engine
②④12	692232	1	Gasket-Crankcase (.015 STD)
②15	691680	1	Plug-Drain, Oil
②④20	399781s	1	Seal-Oil (PTO Side)
②22	691092	1	Screw (Engine Sump)
②43	691997	1	Slinger-Oil, Governor
②46	691449	1	Camshaft
②48	792742	1	Block-Short
②287	690940	1	Screw (Dipstick Tube)
②523	499621	1	Dipstick
②④524	692296	1	Seal-O Ring (Dipstick Tube)
②525	495265	1	Tube-Dipstick
②④842	691031	1	Seal-O Ring (Dipstick Tube)
②847	692047	1	Dipstick Tube ASM

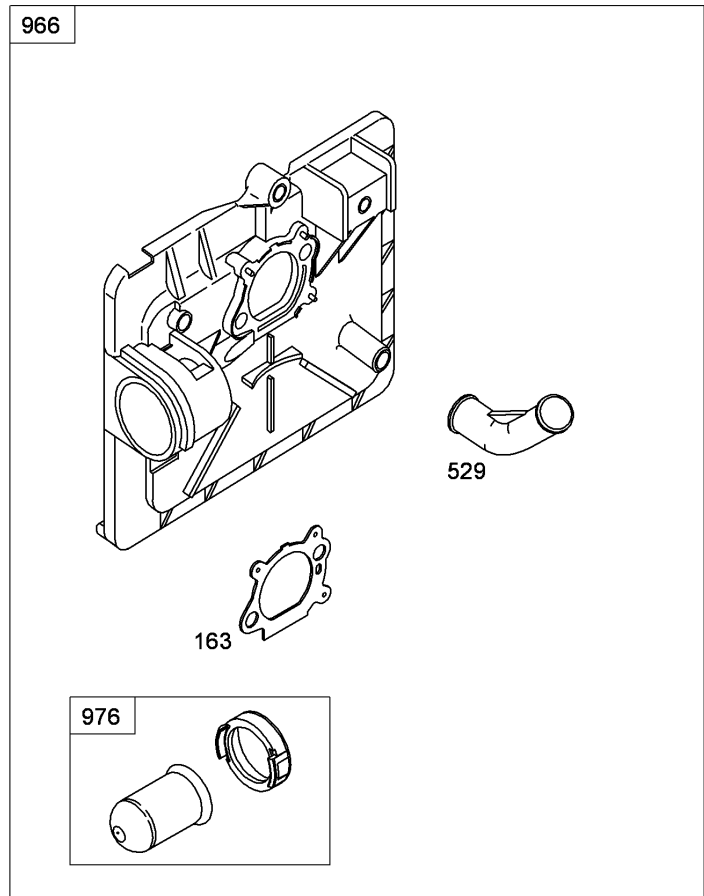
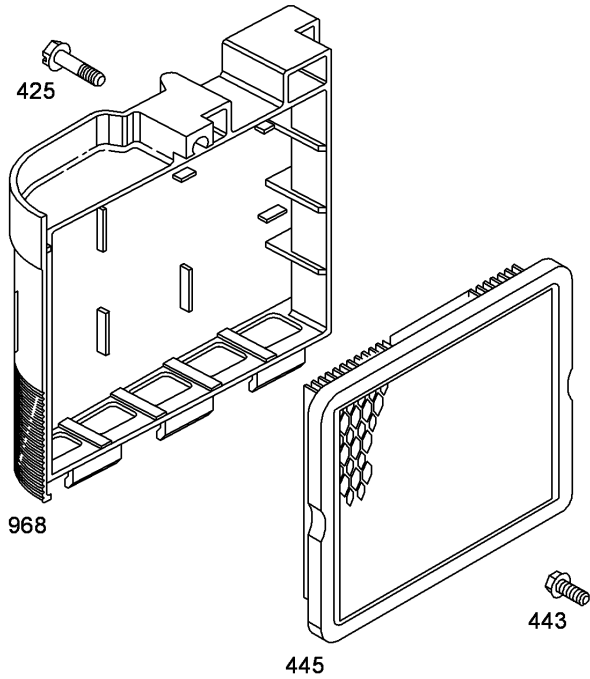


Assemblies include all parts shown in frames

# Carburetor Assembly

## Briggs and Stratton 124T02-0161-B1

Ref	Part No.	Qty.	Description
②95	691636	1	Screw (Throttle Valve)
②97	696565	1	Shaft-Throttle
②③104	691242	1	Pin-Hinge, Float
②117	498978	1	Jet-Main (STD)
②118	494870	1	Jet-Main (High Altitude)
②125	498170	1	Carburetor
②③127	694468	1	Plug-Welch
②130	696564	1	Valve-Throttle
②133	398187	1	Float-Carburetor
②③134	398188	1	Needle And Seat Kit
②③137	693981	1	Gasket-Bowl, Float
⑤			
②③163	272653	1	Gasket-Cleaner, Air
④⑤			
②③276	271716	1	Washer-Sealing
⑤			
②365	692524	1	Screw (Carburetor)
②③617	270344s	1	Seal-O Ring (Intake Manifold)
⑤			
②③633	691321	1	Seal-Shaft, Choke Throttle
⑤			
②975	493640	1	Bowl-Float

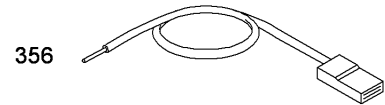
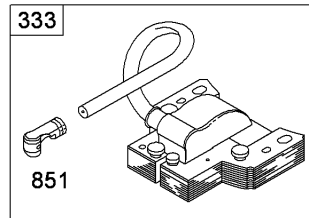
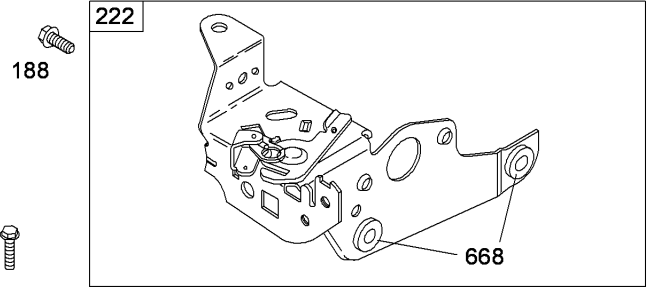
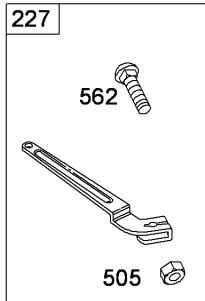
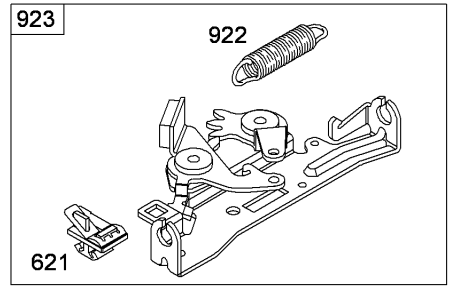
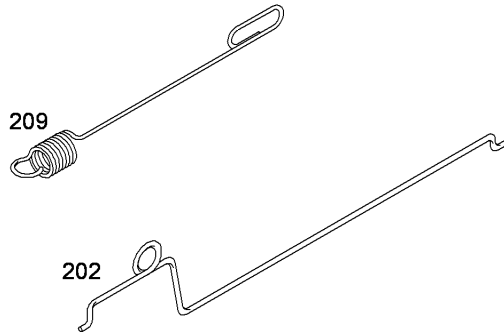



Assemblies include all parts shown in frames

## Air Cleaner Assembly Briggs and Stratton 124T02-0161-B1

Ref	Part No.	Qty.	Description
② ③ 163 ④	272653s	1	Gasket-Cleaner, Air
② 425	690670	1	Screw (Air Cleaner Cover)
② 443	692523	1	Screw (Air Cleaner Primer Base)
② 445	491588s	1	Filter-Cartridge, Air Cleaner
② 529	691923	1	Grommet
② 966	792040	1	Base-Primer, Air Cleaner
② 968	692298	1	Cover-Cleaner, Air
② 976	694395	1	Primer-Carburetor

--	--	--	--

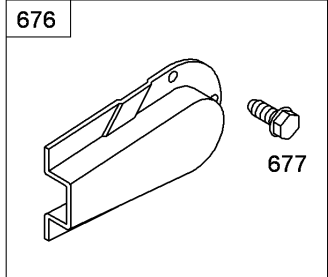
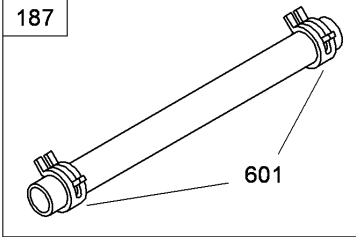
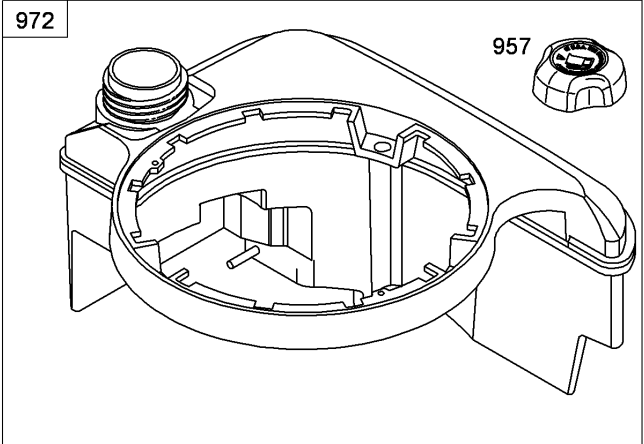
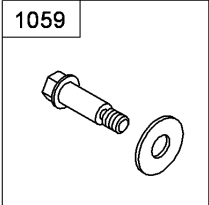
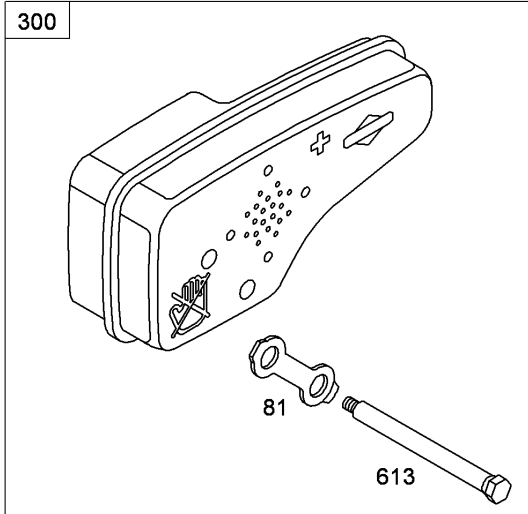


Assemblies include all parts shown in frames

## Governor Assembly Briggs and Stratton 124T02-0161-B1

Ref	Part No.	Qty.	Description
2188	693399	1	Screw (Control Bracket)
2202	691829	1	Link-Governor, Mechanical
2209	691292	1	Spring-Governor
2222	793754	1	Bracket-Control
2227	690783	1	Lever-Control, Governor
2333	802574	1	Armature-Magneto
2334	691061	1	Screw (Magneto Armature)
2356	692390	1	Wire-Stop
2505	691251	1	Nut (Governor Control Lever)
2562	691119	1	Screw (Governor Control Lever)
2621	692310	1	Switch-Stop
2668	493823	1	Spacer
2745	691648	1	Screw (Brake)
2851	493880s	1	Terminal-Spark Plug
2922	691831	1	Spring-Brake
2923	691994	1	Brake ASM

--	--	--	--



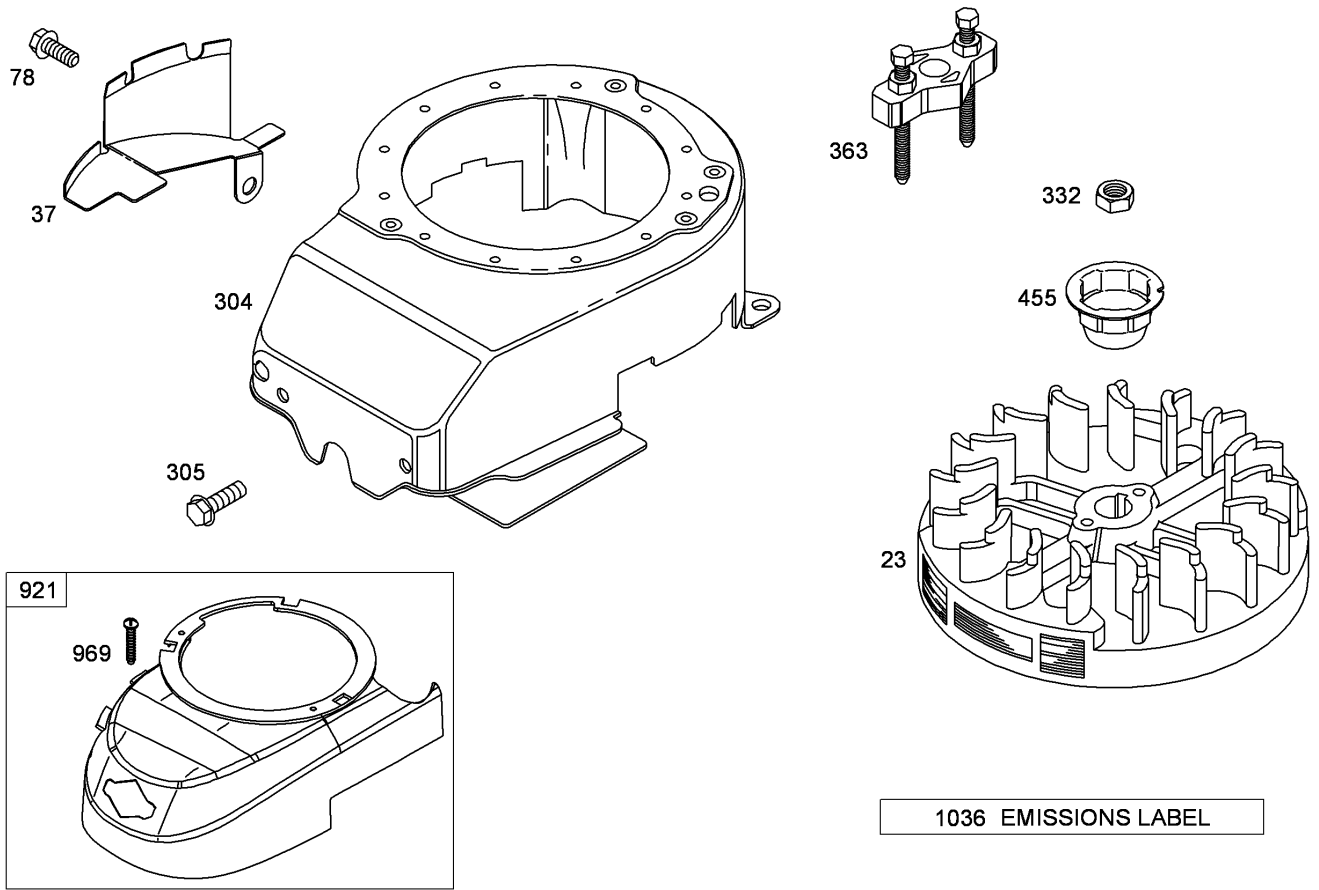
Assemblies include all parts shown in frames

## Muffler and Fuel Tank Assembly Briggs and Stratton 124T02-0161-B1

Ref	Part No.	Qty.	Description
● 81	691740	1	Lock-Screw, Muffler
● 187	791766	1	Line-Fuel (Cut To Required Length)
● 190	690940	1	Screw (Fuel Tank)
● 300	692038	1	Muffler
● 601	791850	1	Clamp-Hose
● 613	691340	1	Screw (Muffler)
● 670	692294	1	Spacer-Tank, Fuel
● 676	493871	1	Deflector-Muffler
● 677	690661	1	Screw (Muffler Deflector)
● 957	699985	1	Cap-Tank, Fuel
● 972	699374	1	Tank-Fuel
● 1059	692311	1	Screw And Washer Kit

--	--	--	--



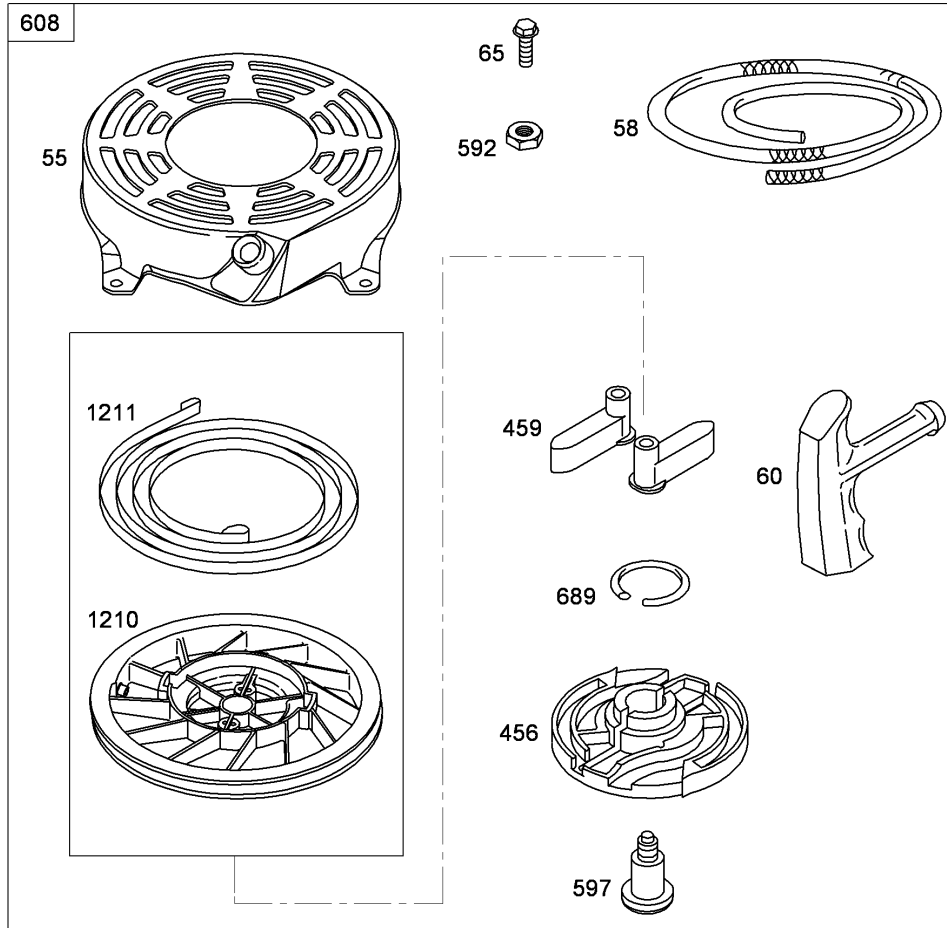


Assemblies include all parts shown in frames

## Blower Housing Assembly Briggs and Stratton 124T02-0161-B1

Ref	Part No.	Qty.	Description
23	691987	1	Flywheel
37	694086	1	Guard-Flywheel
78	691108	1	Screw (Flywheel Guard)
304	694769	1	Housing-Blower
305	691108	1	Screw (Blower Housing)
332	690662	1	Nut (Flywheel)
363	19069	1	Puller-Flywheel
455	791760	1	Gasket-Passage, Breather
921	790036	1	Cover-Housing, Blower
969	691138	1	Screw (Blower Housing Cover)
1036		1	Label-Emissions

--	--	--	--



## Starter Assembly Briggs and Stratton 124T02-0161-B1

Ref	Part No.	Qty.	Description
●55	691421	1	Housing-Starter, Rewind
●58	697316	1	Rope-Starter (Cut To Required Length)
●60	281434s	1	Grip-Rope, Starter
●65	690837	1	Screw (Rewind Starter)
●456	692299	1	Plate-Friction, Pawl
●459	281505s	1	Ratchet-Pawl
●592	690800	1	Nut (Rewind Starter)
●597	691696	1	Screw (Pawl Friction Plate)
●608	497680	1	Starter-Rewind
●689	691855	1	Spring-Friction
●1210	498144	1	Pulley And Spring ASM (Pulley)
●1211	498144	1	Pulley And Spring ASM (Spring)

--	--	--	--





# Attachments and Accessories

For 20065 - 22in Recycler Lawn Mower

Product Name	Model/Part
Loose Parts Kit .....	114-7939
Replacement Bag .....	59303
Bagger Kit .....	59304
22 Inch Blade Kit .....	59534

# NOTES

# NOTES

