



Replacement Front Spring Kit, for Workman MD/MDX/MDE Utility Vehicle

Model No. 117-4847

Installation Instructions



The compressed spring in the spring and shock assembly represents a stored energy hazard. If not properly retained or when compressing and removal it can injure you or other bystanders.

- Always use the approved Toro spring compression tool to compress the spring in a secure manner when removing the retention collar.
- Use care when removing pressure from the compressed spring.

Important: The Spring Kit is only to be installed by qualified Toro Service Technicians and using only the approved tools. Improper removal, disassembly or installation of the spring assembly poses a danger to you and bystanders. Please contact your an authorized Toro dealer for the appropriate tools and proper installation of this kit.

Note: Refer to the *Service Manual* for further instruction.

Removing the Spring and Shock Assembly

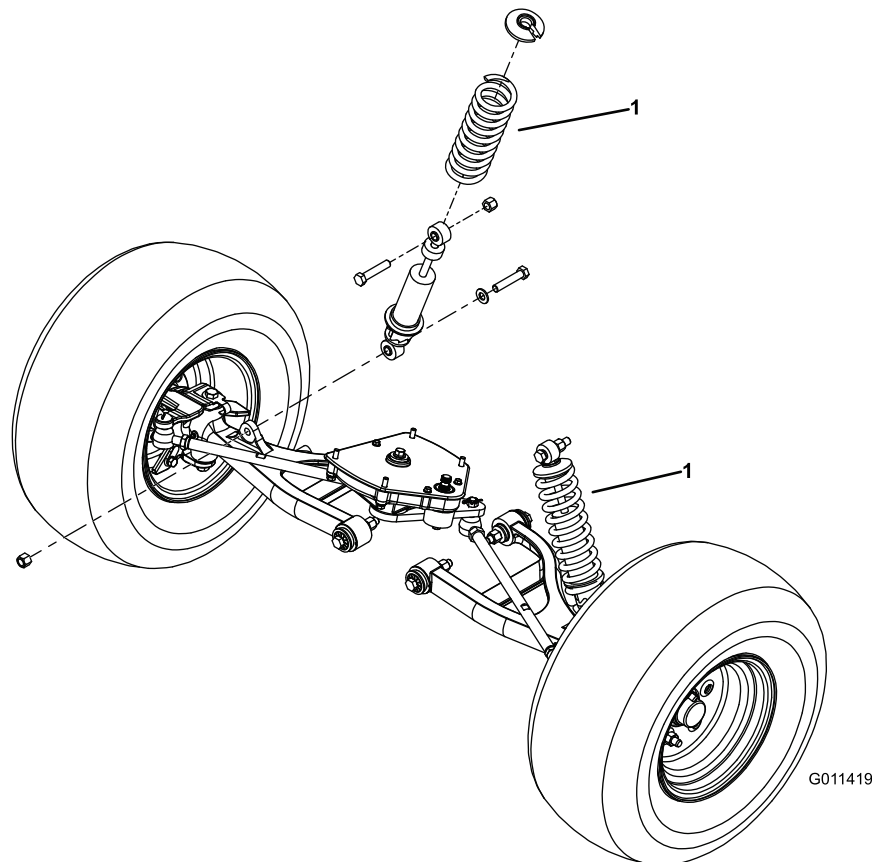


Figure 1

1. Spring

1. Raise the front of the vehicle.
2. Locate and remove the lower bolt, washer and locknut securing the spring assembly to the A-arm.
3. Locate and remove the upper bolt, washer and locknut securing the spring assembly to the upper frame.
4. Remove spring and shock assembly.

Installing the Springs

An approved Toro spring compression tool must be obtained to remove and install springs of the shock assembly. This tool is available to authorized Toro dealers and must be obtained through service parts. Use the tool in accordance to the manufacturers instructions.

1. Place the spring and shock assembly into the compression tool and use the tool to compress the spring.
2. While the spring is compressed remove the collar.
3. Carefully release pressure on spring and remove the spring and shock assembly from the compression tool.
4. Remove the spring from the shock assembly.
5. Install the new spring over the existing shock assembly.
6. Place the spring and shock assembly into the compression tool and use the tool to compress the spring.
7. While the spring is compressed install the collar.
8. Carefully release pressure on spring allowing it to seat on the collar.
9. Remove the spring and shock assembly from the compression tool.

Installing the Spring and Shock Assembly

1. Install spring and shock assembly to the vehicle.
2. Secure the upper portion of the spring and shock assembly to the frame using the bolt, washer and locknut removed previously.
3. Secure the lower portion of the spring and shock assembly to the A-arm using the bolt, washer and locknut removed previously.

Repeat the installation for the opposing spring and shock assembly. Lower the vehicle to the ground.