



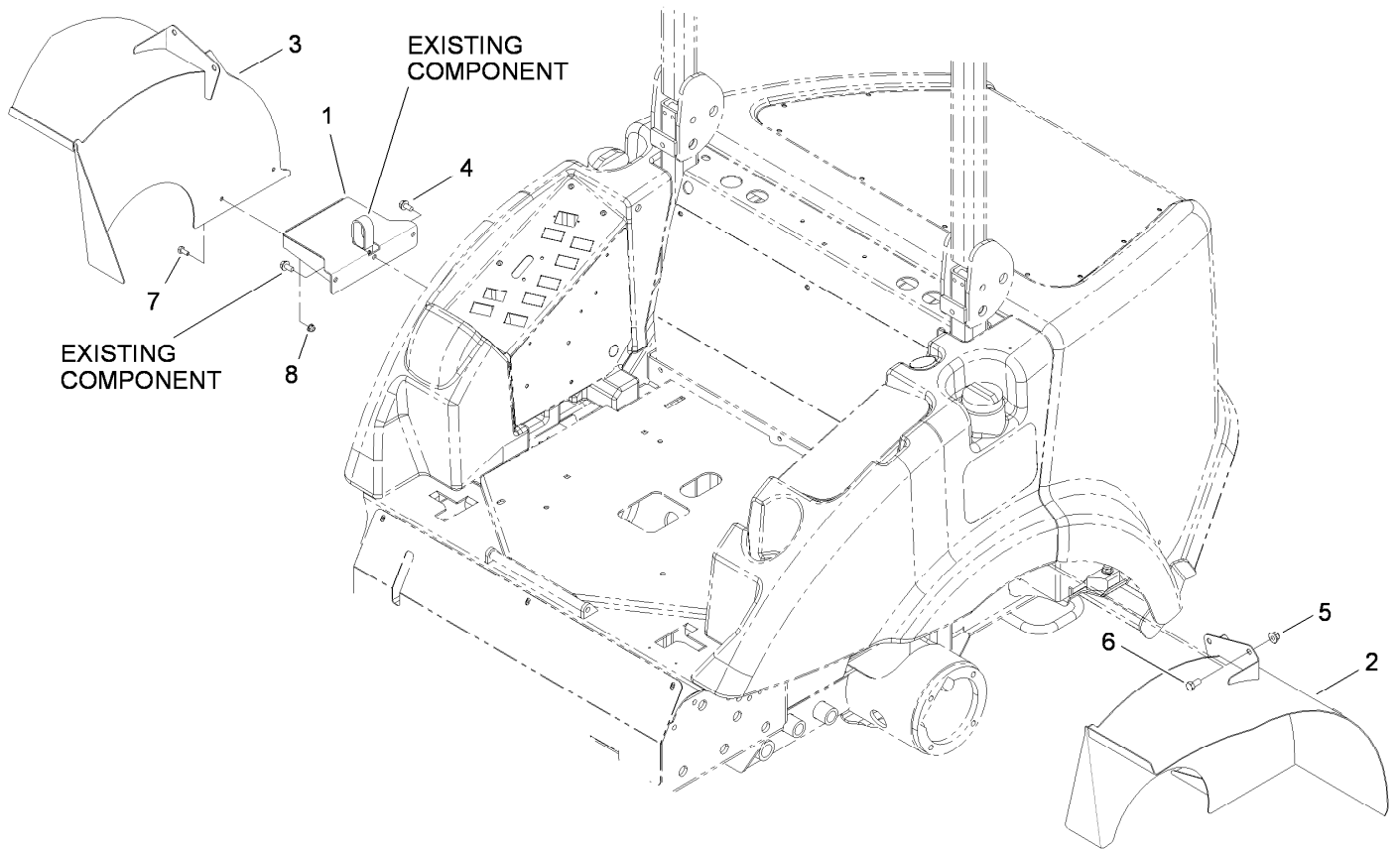
**Count on it.**

**Parts Catalog**

**Fender Kit**

**Groundsmaster® 7200 Series Traction Unit**

**Model No. 117-9170**



## Fender Kit Assembly 117-9170

<i>Ref.</i>	<i>Part Number</i>	<i>Qty.</i>	<i>Description</i>
1	117-5589	1	Fender Mount ASM
2	117-5598	1	Fender-LH
3	117-5599	1	Fender-RH
4	32144-14	2	Screw-HWHTF
5	104-8301	4	Nut-Flange, NI
6	323-4	4	Screw-HH
7	321-3	2	Screw-HH
8	104-7201	2	Nut-HF