



CCR™ 3650 GTS® Snowthrower

Model No. 38518 - 270010001 and up.

Parts Catalog

Ordering Replacement Parts

To order replacement parts, please supply the part number, the quantity, and the description of each part desired.

Understanding Reference Numbers

Each Identified part in an illustration has a reference number. The reference number for a part also appears in the parts list, along with other information about the part.

This catalog uses two special reference number formats, one to indicate parts in a service assembly and another to indicate the quantity of a given part in an illustration.

Service Assembly Reference Numbers

Parts in service assemblies have reference numbers in the form a:b. The a represents the reference number of the entire service assembly and the b represents a sequential number unique to each part within the service assembly.

For example, a wheel assembly might be identified by reference number 6, the tire by 6:1, the valve by 6:2, and the wheel by 6:3. When you order the assembly identified by reference number 6, you receive all parts identified by reference numbers 6:1, 6:2, and 6:3. However, you may also order any part individually. Reference numbers of this type appear in illustrations and in part lists.

Reference Numbers Indicating Quantity

In an illustration, if a reference number indicates more than one part, the reference number has the form nX y. The n represents the quantity of the part, the X is the multiplication symbol, and the y represents the reference number.

For example, in an illustration, the reference number 2X 37 means that two of the parts identified by reference number 37 are indicated.

Contents

Description	Page	Description	Page
Rotor Housing and Scraper Assembly 3	Cylinder, Piston and Connecting Rod Assembly Briggs and Stratton 084233-0198-E8 11
Impeller Drive Assembly 4	Carburetor Assembly Briggs and Stratton 084233-0198-E8 12
Chute Assembly 5	Muffler and Intake Manifold Assembly Briggs and Stratton 084233-0198-E8 14
Rotor Assembly 6	Flywheel, Blower Housing and Starter Assembly Briggs and Stratton 084233-0198-E8 15
Engine, Gas Tank and Frame Assembly 7	Attachments and Accessories List 16
Shroud and Control Panel Assembly 8		
Upper Shroud Assembly No. 110-3401 9		
Handle Assembly 10		

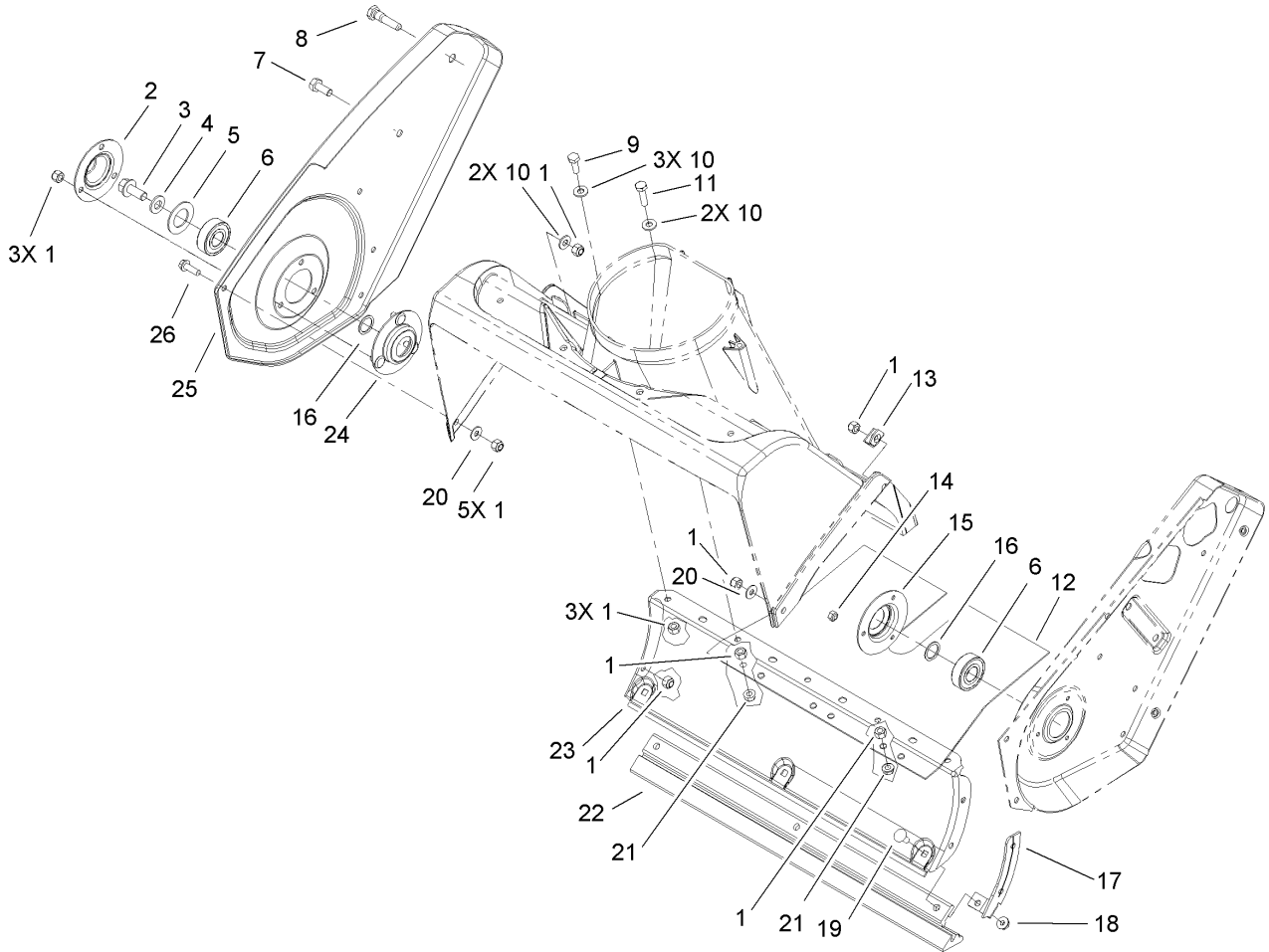
Part Description Abbreviations

Part descriptions in this catalog may include the following abbreviations.

AR. as required	HWHTF. hex washer head thread forming
ASM. assembly	HYD. hydraulic
BBC. blade brake clutch	LH. left hand
CARR. carriage	NI. nylon insert
CCW. counter clock wise	NPTF. national pipe thread fine
CW. clockwise	PFH. phillips flat head
DEG. degrees	PPH. phillips pan head
ECM. electronic control module	PPHTF. phillips pan head thread forming
EXT. external	PRH. phillips round head
FH. flat head	PTH. phillips truss head
GA. gauge	PTO. power-take-off
HD. heavy-duty	RH. right hand
HF. hex flange	ROPS. roll-over protection system
HH. hex head	SFH. slotted fillister head
HHF. hex head flange	SHH. slotted hex head
HHFTF. hex head flange thread forming	SHWH. slotted hex washer head
HJ. hex jam	SPH. slotted pan head
HLH. hex lag head	SQH. square head
HOC. height-of-cut	SRH. slotted round head
HSBH. hex socket button head	STD. standard
HSFH. hex socket flat head	TAP. self tapping
HSH. hex socket head	TTH. torx truss head
HWH. hex washer head	

Footnotes

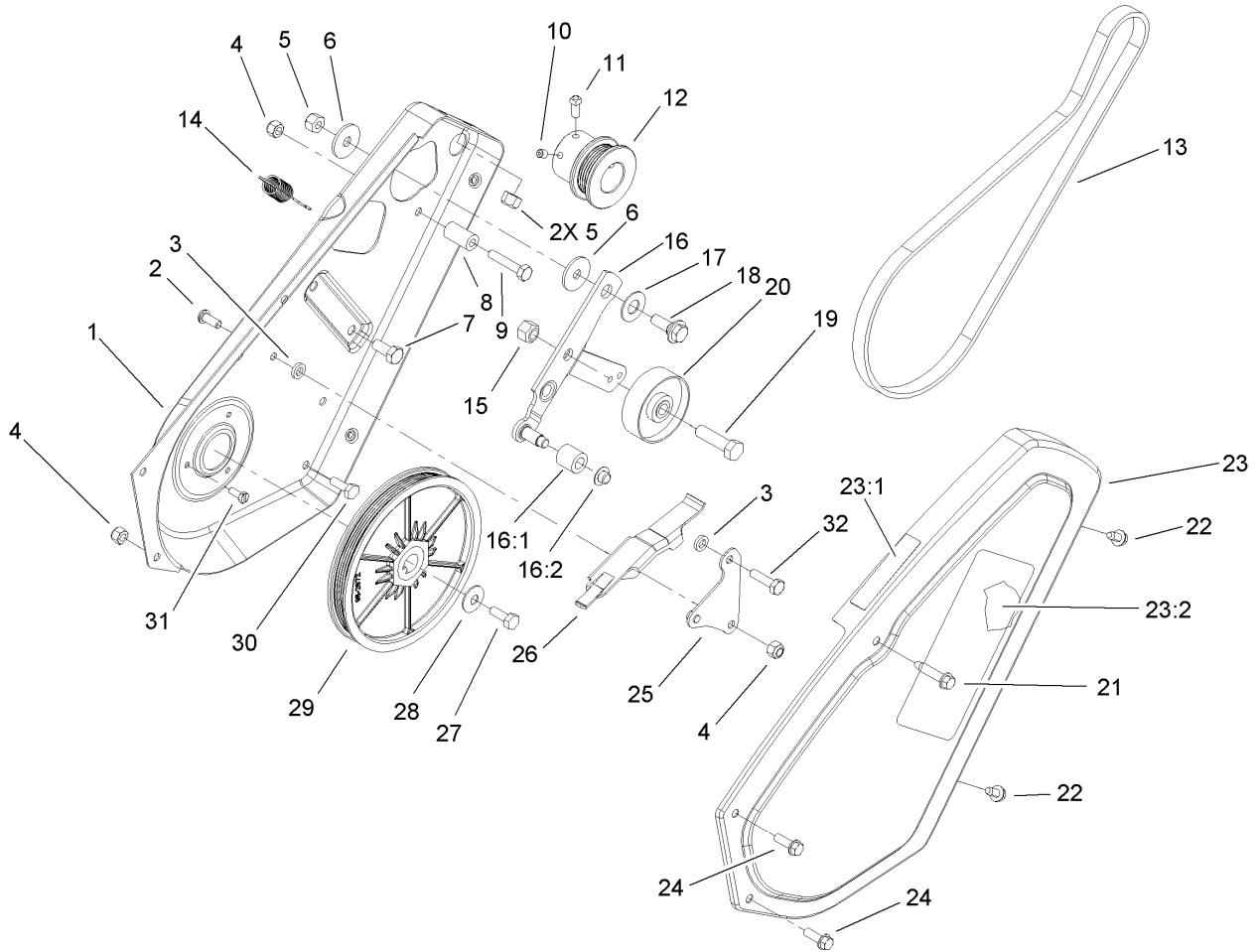
- ❶ Not serviced separately
- ❷ Obtain parts from www.briggsandstratton.com
- ❸ Included in Carburetor Overhaul Kit (Ref. No. 121)
- ❹ Included in Carburetor Gasket Set (Ref. No. 977)



Rotor Housing and Scraper Assembly

Ref	Part No.	Qty.	Description
1	3296-42	17	Nut-Lock, NI
2	52-7290-03	1	Retainer-Bearing
3	3234-25	1	Screw-HHF
4	3256-24	1	Washer-Flat
5	52-7270	1	Washer-Rubber
6	100-1048	2	Bearing-Ball
7	322-43	1	Screw-HH
8	38-8211	1	Pin-Rotor
9	321-4	3	Screw-HH
10	3256-22	7	Washer-Flat
11	321-6	2	Screw-HH
12	55-9512	1	Cover-Bottom
13	55-9430	1	Bracket-Housing
14	3296-2	3	Nut-Lock, NI
15	38-8620	1	Flange-Bearing
16	52-7280	2	Washer-Thrust
17	56-2610	1	Bracket-Housing, Lower
18	32149-2	3	Nut-Keps
19	3229-11	3	Screw-CARR
20	3256-1	2	Washer-Flat
21	32128-10	2	Nut-Lock, HHF
22	55-8760	1	Scraper
23	105-1967-03	1	Housing-Lower
24	52-9110	1	Flange-Bearing

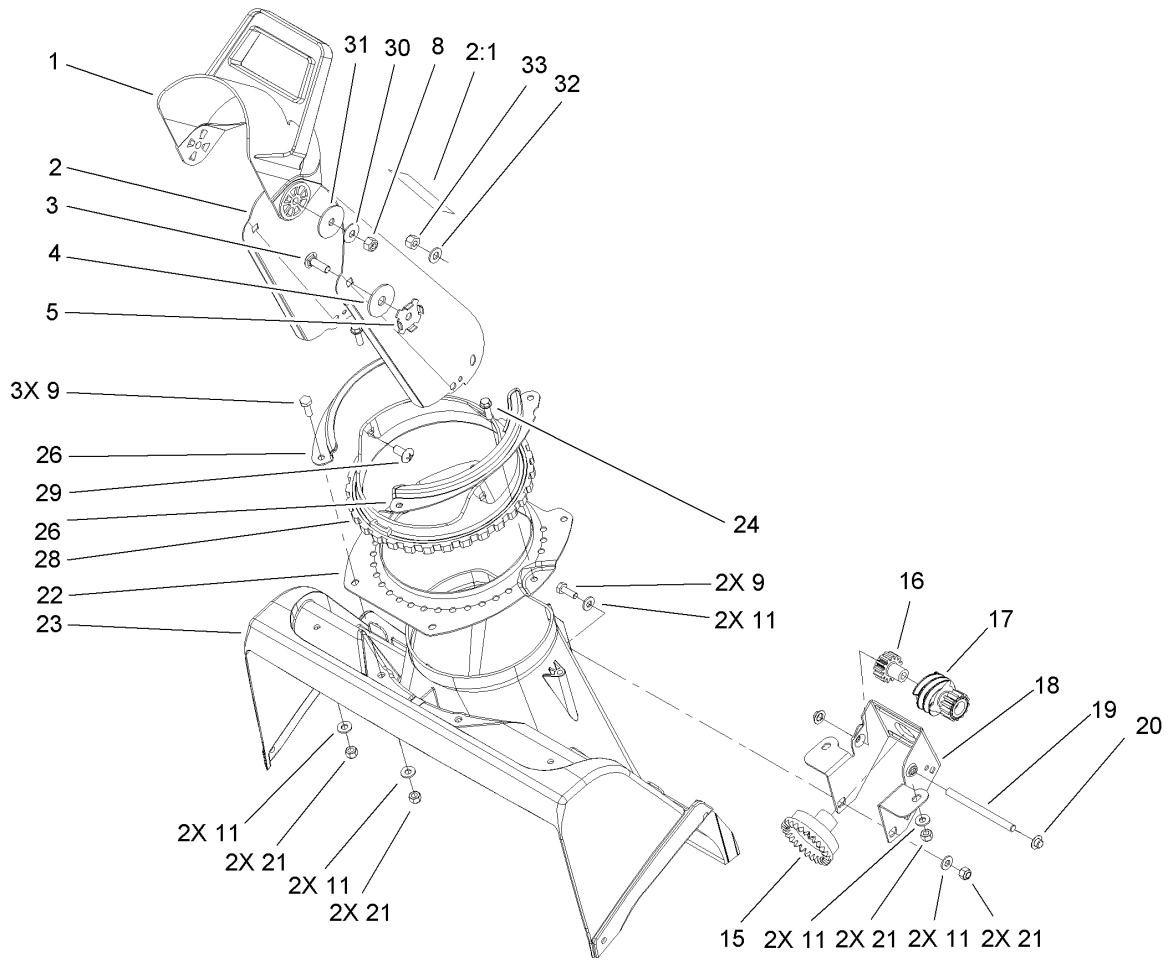
Ref	Part No.	Qty.	Description
25	105-1952-03	1	Sideplate-Right
26	32105-15	5	Screw



Impeller Drive Assembly

Ref	Part No.	Qty.	Description
1	55-8851-03	1	Plate-Side, LH
2	3274-31	1	Screw-HSBH
3	55-9620	2	Spacer-Plate, Pivot
4	3296-42	3	Nut-Lock, NI
5	3296-29	3	Nut-Lock, NI
6	5-4460	2	Washer-Pivot
7	322-3	2	Screw-HH
8	55-9530	1	Sleeve-Guide, Belt
9	321-13	1	Screw-HH
10	3245-32	1	Screw-HSH
11	3241-7	1	Screw-SQH
12	95-2673	1	Pulley-Engine
13	95-6151	1	Belt-Drive
14	55-9280	1	Spring-Extension
15	32152-2	1	Nut-Lock, Cone
16	105-3542	1	Idler Arm ASM
16:1	55-9520	1	Roller-Brake
16:2	32112-11	1	Nut-Push
17	25-5641	1	Washer
18	27-0410	1	Screw-Shoulder
19	323-29	1	Screw-HH
20	55-9290	1	Pulley-Idler
21	32144-110	1	Screw-HWH
22	12-3270	2	Screw

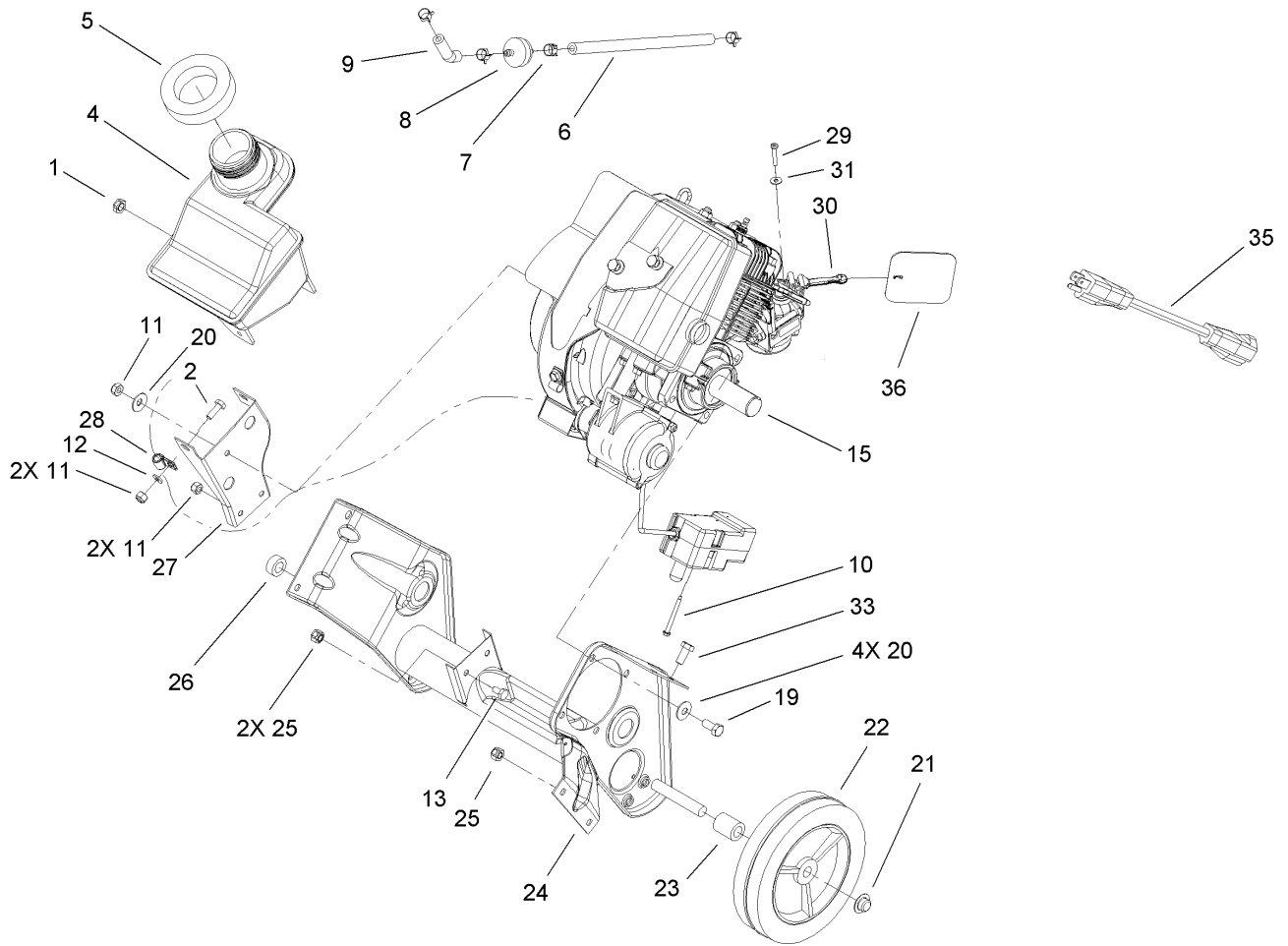
Ref	Part No.	Qty.	Description
23	105-1997	1	Cover-Drive
23:1	104-2767	1	Decal-Warning
23:2	60-9480	1	Decal
24	32105-15	2	Screw
25	55-9570	1	Pivot Plate ASM
26	55-9550	1	Brake-Arm
27	321-30	1	Screw-HH
28	3290-456	1	Washer-Belleville
29	95-2672	1	Pulley Rotor ASM
30	321-4	2	Screw-HH
31	32105-8	3	Screw-SHH
32	321-6	1	Screw-HH



Chute Assembly

Ref	Part No.	Qty.	Description
1	56-2680	1	Chute-Deflector
2	104-4115	1	Chute ASM
2:1	104-4135	1	Decal-Danger
3	3230-22	2	Screw-CARR
4	20-4320	2	Washer-Rubber
5	55-8950	2	Plate-Friction
8	3296-29	2	Nut-Lock, NI
9	321-4	5	Screw-HH
11	3256-22	10	Washer-Flat
15	55-8740	1	Gear-Face
16	55-8750	1	Gear-Spur, Spacer
17	105-3512	1	Gear-Spur/Worm
18	105-3513	1	Bracket-Gear, Chute
19	55-9150	1	Shaft-Gear, Worm
20	32112-11	2	Nut-Push
21	3296-42	8	Nut-Lock, NI
22	55-8921-03	1	Ring-Support, Chute
23	105-1950	1	Housing-Rotor, Upper
24	46-8091	2	Screw-HWH
26	55-8910-03	2	Ring-Retainer, Chute
28	55-8720	1	Ring-Gear, Chute
29	100-5486	3	Screw-Truss HD, Phillips
30	3290-456	2	Washer-Belleville
31	3256-68	2	Washer-Flat

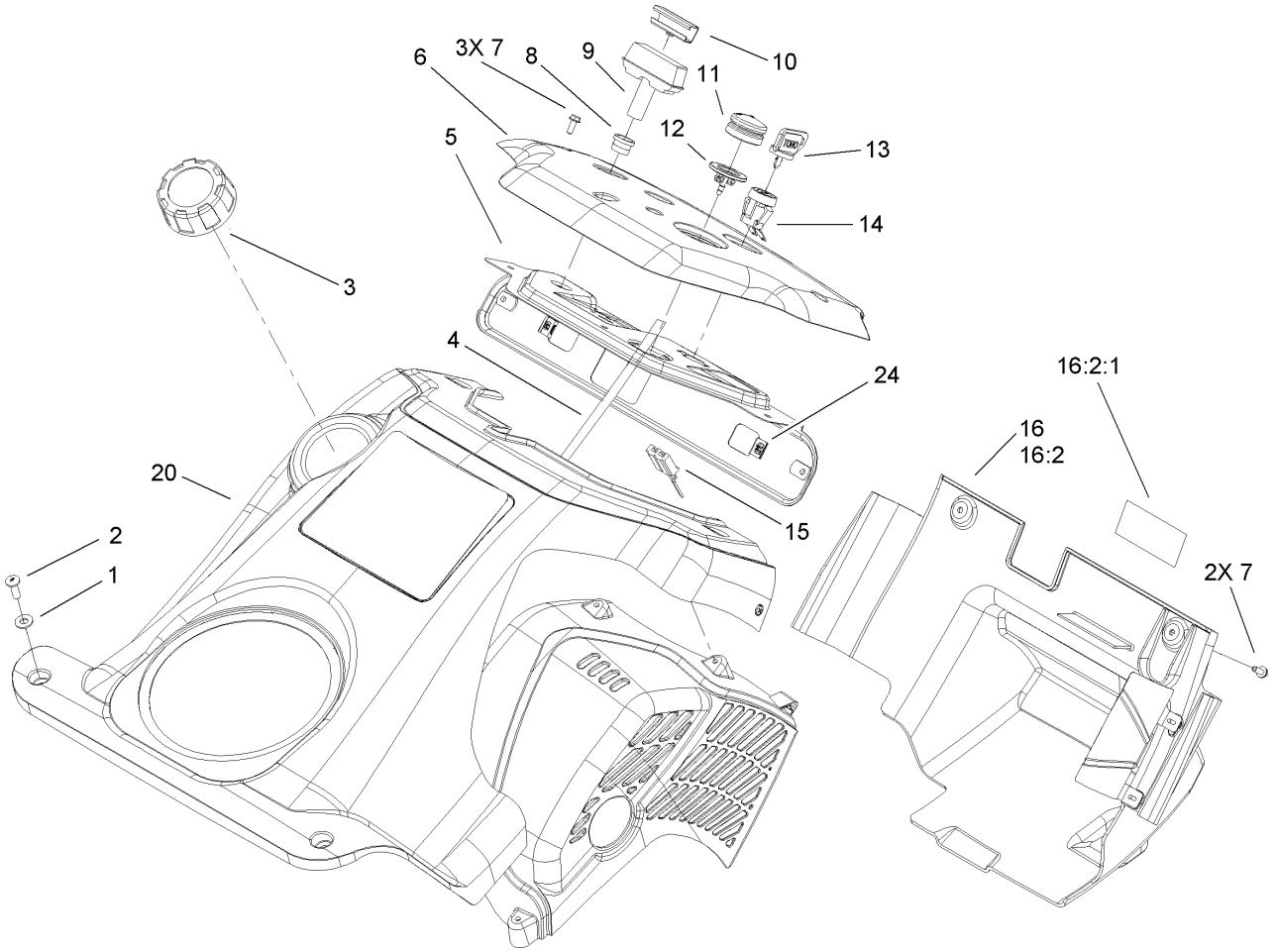
Ref	Part No.	Qty.	Description
32	3256-70	3	Washer-Flat
33	3296-47	3	Nut-Lock, NI



Engine, Gas Tank and Frame Assembly

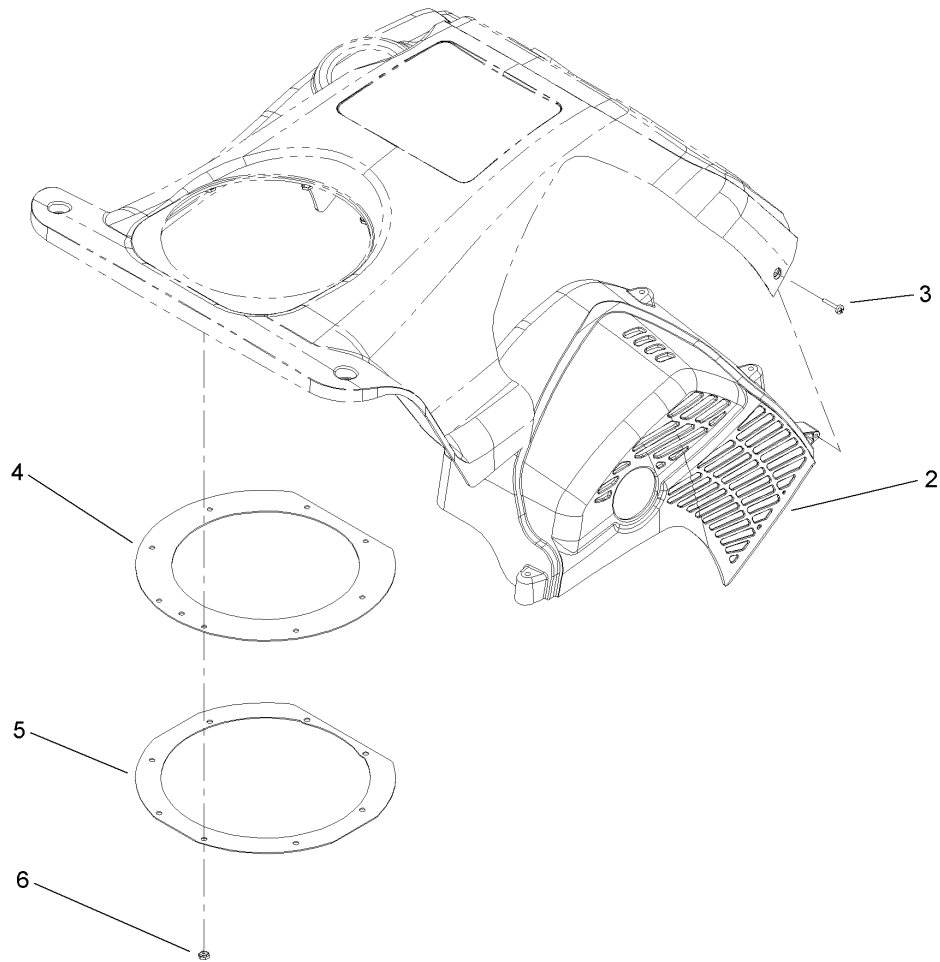
Ref	Part No.	Qty.	Description
1	32152-8	1	Nut-Lock, Cone
2	321-4	2	Screw-HH
4	105-8952	1	Tank-Gas
5	55-9310	1	Seal-Foam
6	110-4894	1	Hose-Fuel
7	2412-98	4	Clamp
8	56-6360	1	Filter-Fuel
9	109-0304	1	Hose-Fuel
10	32144-27	3	Screw-Plastite
11	3296-42	5	Nut-Lock, NI
12	3256-22	2	Washer-Flat
13	321-2	2	Screw-HH
15		1	Engine-Briggs And Stratton, 084233-0198-E8
19	322-3	4	Screw-HH
20	3290-456	5	Washer-Belleville
21	32112-14	2	Nut-Push
22	66-6510	2	Wheel
23	66-6501	1	Spacer-Wheel
24	105-1965-03	1	Frame
25	3296-29	3	Nut-Lock, NI
26	66-6500	1	Spacer-Wheel
27	105-1968-03	1	Bracket-Support, Recoil
28	2412-91	1	Clamp

Ref	Part No.	Qty.	Description
29	32144-97	1	Screw-PPH, Plastite
30	104-0878	1	Lever-Choke
31	3256-14	1	Washer-Flat
33	322-43	2	Screw-HH
35	99-9300	1	Cord-Extension
36	110-3444	1	Shield-Choke Hole



Shroud and Control Panel Assembly

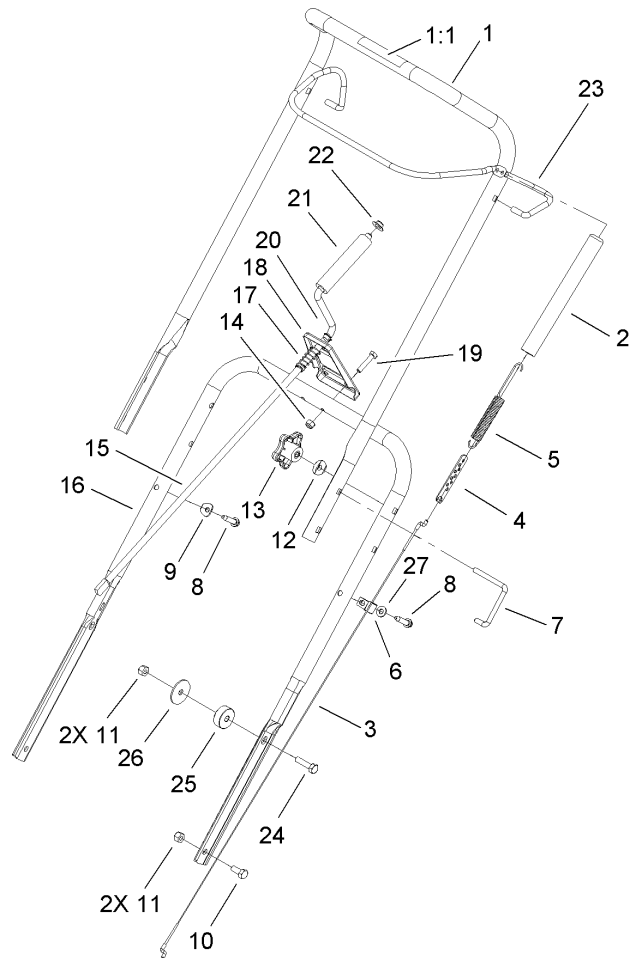
Ref	Part No.	Qty.	Description
1	3256-22	2	Washer-Flat
2	3250-32	2	Screw-PPH
3	104-4133	1	Gas Cap ASM
4	98-1372	1	Hose-Primer
5	105-1999-03	1	Panel-Support, Control
6	105-1954	1	Panel-Control
7	32144-112	5	Screw-HWH
8	55-9410	1	Guide-Rope, Starter
9	612825	1	Handle-Start
10	612824	1	Clip-Starter
11	66-7460	1	Bulb-Primer
12	44-2750	1	Body-Primer
13	63-8360	1	Key-Ignition
14	40-5940	1	Switch
15	218-532	1	Connector-Body
16	108-7339	1	Lower Shroud And Baffle ASM
16:2		1	Shroud-Lower
16:2:1	61-4790	1	Decal
20	110-3401	1	Upper Shroud ASM
24	100-9889	2	Nut-Speed



Upper Shroud Assembly No. 110-3401

Ref	Part No.	Qty.	Description
2	108-7333	1	Shield-Heat
3	94-4496	5	Screw-PPH
4	105-3543	1	Seal-Chute
5	55-9540-03	1	Retainer-Seal, Chute
6	3290-474	8	Palnut

--	--	--	--



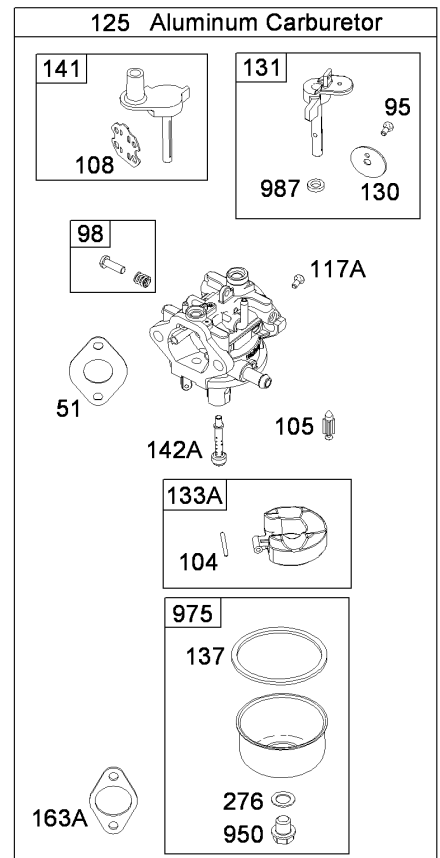
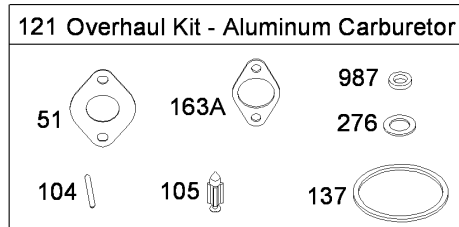
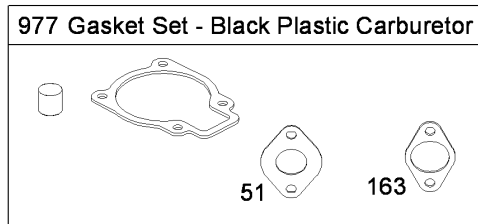
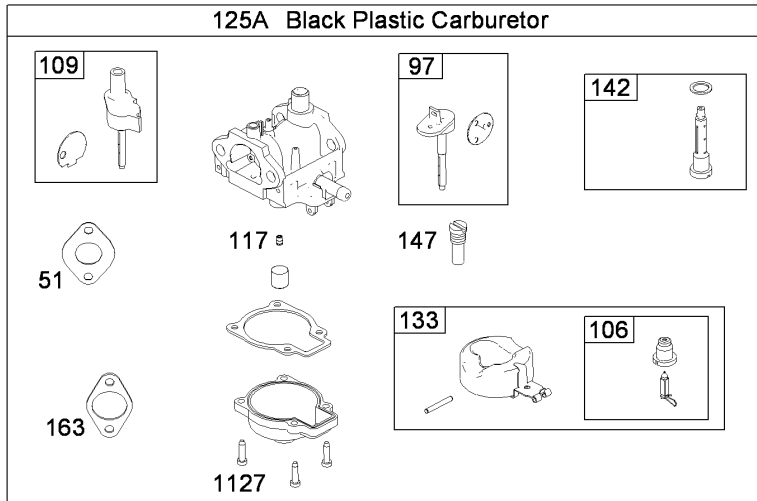
Handle Assembly

Ref	Part No.	Qty.	Description
1	95-2669	1	Upper Handle ASM
1:1	104-2775	1	Decal-Drive, Rotor
2	71-5530	1	Cover-Spring
3	110-2182	1	Cable-Clutch
4	71-5330	1	Adjuster-Cable, Clutch
5	110-2181	1	Spring-Extension
6	2412-91	1	Clamp
7	98-2266	2	Lock-Handle
8	32144-110	2	Screw-HWH
9	3-7501	1	Washer
10	322-3	2	Screw-HH
11	3296-29	4	Nut-Lock, NI
12	107-3844	2	Washer
13	106-4161	2	Knob-Handle
14	3296-42	2	Nut-Lock, NI
15	55-9140	1	Rod-Crank, Chute
16	55-9121-03	1	Handle-Lower
17	104-8664	1	Spring-Compression
18	55-9090-03	1	Support-Crank, Chute
19	321-8	2	Screw-HH
20	256-249	1	Bushing
21	40-8230	1	Grip-Control, Chute
22	3290-320	1	Retainer-Push On
23	100-5473-03	1	Bail-Control

Ref	Part No.	Qty.	Description
24	322-6	2	Screw-HH
25	105-1961	2	Spacer
26	3256-68	2	Washer-Flat
27	3256-22	1	Washer-Flat

Carburetor Assembly

Briggs and Stratton 084233-0198-E8

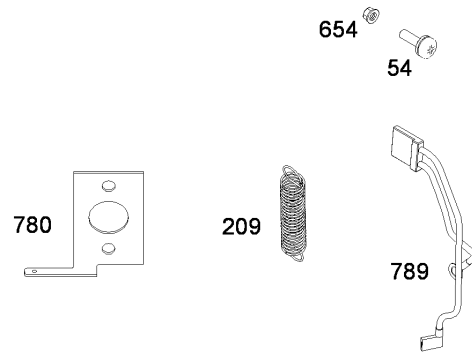
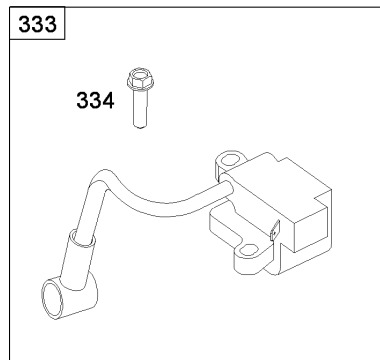
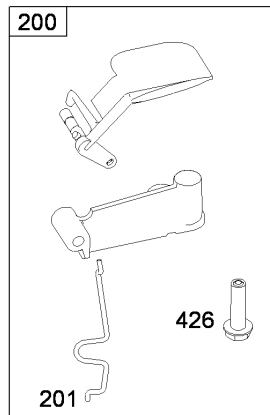
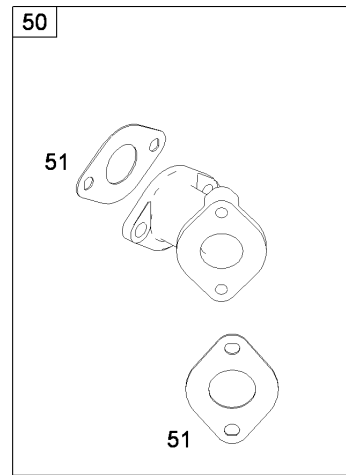
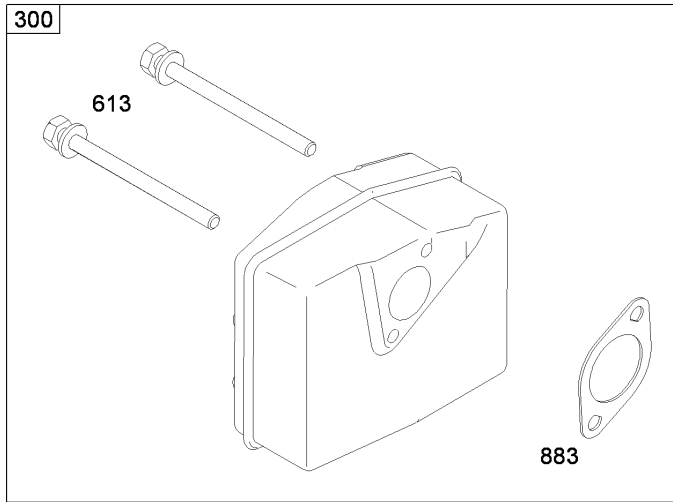


Assemblies include all parts shown in frames

Carburetor Assembly

Briggs and Stratton 084233-0198-E8

Ref	Part No.	Qty.	Description	Ref	Part No.	Qty.	Description
2551	801224	1	Gasket-Intake	25987	801416	1	Seal-Shaft, Throttle (For Aluminum Carburetor)
4				2996	801226	1	Shield-Carburetor
295	801415	1	Screw (Throttle Valve) (For Aluminum Carburetor)	21127	801318	1	Screw (Float Bowl) (For Black Plastic Carburetor)
297	801306	1	Shaft-Throttle (For Black Plastic Carburetor)				
298	801419	1	Idle Speed ASM (For Aluminum Carburetor)				
25104	691242	1	Pin-Hinge, Float (For Aluminum Carburetor)				
25105	801423	1	Valve-Needle, Float (For Aluminum Carburetor)				
2106	801317	1	Seat-Inlet (For Black Plastic Carburetor)				
2108	801413	1	Valve-Choke (For Aluminum Carburetor)				
2109	801307	1	Shaft-Choke (For Black Plastic Carburetor)				
2117	801310	1	Jet-Main (Standard) (For Black Plastic Carburetor)				
2117A	801425	1	Jet-Main (For Aluminum Carburetor)				
2118	801426	1	Jet-Main (For Aluminum Carburetor)				
2121	801427	1	Carburetor Overhaul Kit (For Aluminum Carburetor)				
2125	801233	1	Carburetor (Black Plastic Carburetor)				
2125A	801396	1	Carburetor (Aluminum Carburetor)				
2130	801414	1	Valve-Throttle (For Aluminum Carburetor)				
2131	801417	1	Throttle Shaft ASM (For Aluminum Carburetor)				
2133	801316	1	Float-Carburetor (For Black Plastic Carburetor)				
2133A	801422	1	Float-Carburetor (For Aluminum Carburetor)				
25137	693981	1	Gasket-Bowl, Float (For Aluminum Carburetor)				
2141	801418	1	Choke Shaft ASM (For Aluminum Carburetor)				
2142	801313	1	Nozzle-Carburetor (For Black Plastic Carburetor)				
2142A	801424	1	Nozzle-Carburetor (For Aluminum Carburetor)				
2147	801308	1	Jet-Pilot (For Black Plastic Carburetor)				
24163	801227	1	Gasket-Cleaner, Air (For Black Plastic Carburetor)				
25163A	801397	1	Gasket-Cleaner, Air (For Aluminum Carburetor)				
25276	692255	1	Washer-Sealing (For Aluminum Carburetor)				
2711	801398	1	Screw (Carburetor Shield)				
2950	801421	1	Screw-Bowl, Float (For Aluminum Carburetor)				
2975	801420	1	Bowl-Float (For Aluminum Carburetor)				
2977	801312	1	Carburetor Gasket Set (For Black Plastic Carburetor)				



Assemblies include all parts shown in frames

Muffler and Intake Manifold Assembly Briggs and Stratton 084233-0198-E8

Ref	Part No.	Qty.	Description
250	801232	1	Manifold-Intake
251	801224	1	Gasket-Intake
454	801230	1	Screw (Intake Manifold)
200	801289	1	Blade-Governor
201	801225	1	Link-Vane, Air
209	801223	1	Spring-Governor
2300	801250	1	Muffler
2333	801268	1	Armature-Magneto
2334	801267	1	Screw (Magneto Armature)
2426	801231	1	Screw (Governor Blade)
2613	801251	1	Screw (Muffler)
2654	801324	1	Nut (Intake Manifold) (Used Before Code Date 05042600)
2780	801228	1	Anchor-Spring
2789	801253	1	Wire ASM
2883	801252	1	Gasket-Exhaust

--	--	--	--

Attachments and Accessories

For 38518 - CCR 3650 GTS Snowthrower

Product Name

Model/Part

Lower Shroud Replacement Kit	108-7338
Snow Cab	88-0600

NOTES

NOTES

NOTES

