



## TimeCutter™ Z4200 Riding Mower

Model No. 74380 - 290000001 and up.

### Parts Catalog

---

#### Ordering Replacement Parts

To order replacement parts, please supply the part number, the quantity, and the description of each part desired.

#### Understanding Reference Numbers

Each identified part in an illustration has a reference number. The reference number for a part also appears in the parts list, along with other information about the part.

This catalog uses two special reference number formats, one to indicate parts in a service assembly and another to indicate the quantity of a given part in an illustration.

#### Service Assembly Reference Numbers

Parts in service assemblies have reference numbers in the form a:b. The a represents the reference number of the entire service assembly and the b represents a sequential number unique to each part within the service assembly.

For example, a wheel assembly might be identified by reference number 6, the tire by 6:1, the valve by 6:2, and the wheel by 6:3. When you order the assembly identified by reference number 6, you receive all parts identified by reference numbers 6:1, 6:2, and 6:3. However, you may also order any part individually. Reference numbers of this type appear in illustrations and in part lists.

#### Reference Numbers Indicating Quantity

In an illustration, if a reference number indicates more than one part, the reference number has the form nX y. The n represents the quantity of the part, the X is the multiplication symbol, and the y represents the reference number.

For example, in an illustration, the reference number 2X 37 means that two of the parts identified by reference number 37 are indicated.

# Contents

Description	Page	Description	Page
Frame Assembly	..... 3	Oil Pan and Lubrication Assembly Kohler SV590-0213	..... 21
Deck Lift and Seat Support Assembly	..... 4	Head, Valve and Breather Assembly Kohler SV590-0213	..... 22
Seat Assembly	..... 5	Ignition and Electrical Assembly Kohler SV590-0213	..... 23
Control Assembly	..... 6	Blower Housing Assembly Kohler SV590-0213	..... 24
Hydro Drive Assembly	..... 7	Starter Assembly Kohler SV590-0213	..... 25
RH Hydro Assembly No. 110-6771	..... 8	Fuel System Assembly Kohler SV590-0213	..... 26
LH Hydro Assembly No. 110-6770	..... 10	Engine Control Assembly Kohler SV590-0213	..... 27
Engine and Clutch Assembly	..... 12	Air Intake and Filtration Assembly Kohler SV590-0213	..... 28
Styling and Fuel System Assembly	..... 13	Gaskets Kohler SV590-0213	..... 29
42 Inch Deck Assembly	..... 14	Decals Kohler SV590-0213	..... 30
42 Inch Deck Assembly No. 117-1290	..... 15	Attachments and Accessories List	..... 31
42 Inch Deck Decal and Recycler Assembly	..... 16		
42 Inch Deck Spindle and Belt Drive Assembly	..... 17		
Electrical Assembly	..... 18		
Crankshaft Assembly Kohler SV590-0213	..... 19		
Crankcase Assembly Kohler SV590-0213	..... 20		

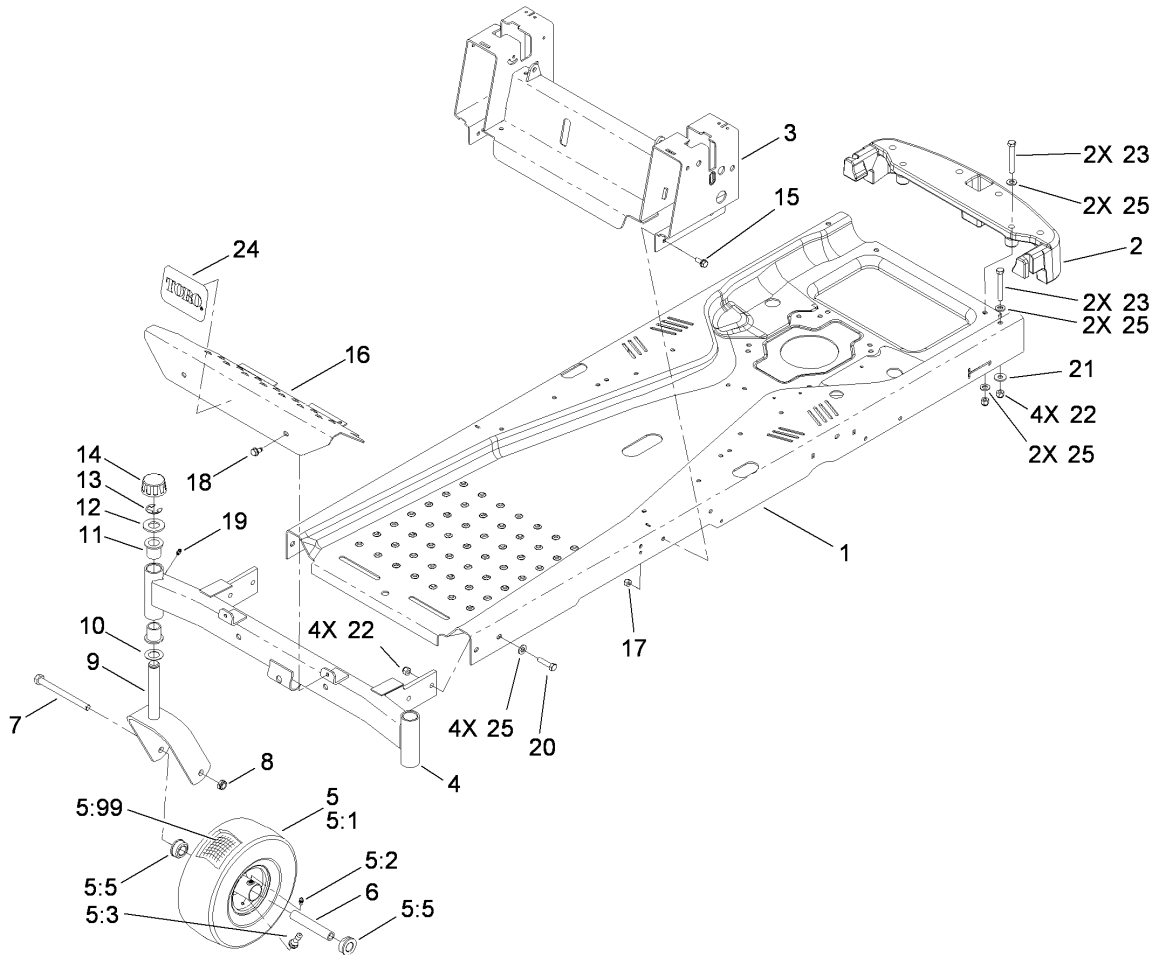
## Part Description Abbreviations

Part descriptions in this catalog may include the following abbreviations.

AR. .... as required	HWHTF. .... hex washer head thread forming
ASM. .... assembly	HYD. .... hydraulic
BBC. .... blade brake clutch	LH. .... left hand
CARR. .... carriage	NI. .... nylon insert
CCW. .... counter clock wise	NPTF. .... national pipe thread fine
CW. .... clockwise	PFH. .... phillips flat head
DEG. .... degrees	PPH. .... phillips pan head
ECM. .... electronic control module	PPHTF. .... phillips pan head thread forming
EXT. .... external	PRH. .... phillips round head
FH. .... flat head	PTH. .... phillips truss head
GA. .... gauge	PTO. .... power-take-off
HD. .... heavy-duty	RH. .... right hand
HF. .... hex flange	ROPS. .... roll-over protection system
HH. .... hex head	SFH. .... slotted fillister head
HHF. .... hex head flange	SHH. .... slotted hex head
HHFTF. .... hex head flange thread forming	SHWH. .... slotted hex washer head
HJ. .... hex jam	SPH. .... slotted pan head
HLH. .... hex lag head	SQH. .... square head
HOC. .... height-of-cut	SRH. .... slotted round head
HSBH. .... hex socket button head	STD. .... standard
HSFH. .... hex socket flat head	TAP. .... self tapping
HSH. .... hex socket head	TTH. .... torx truss head
HWH. .... hex washer head	

## Footnotes

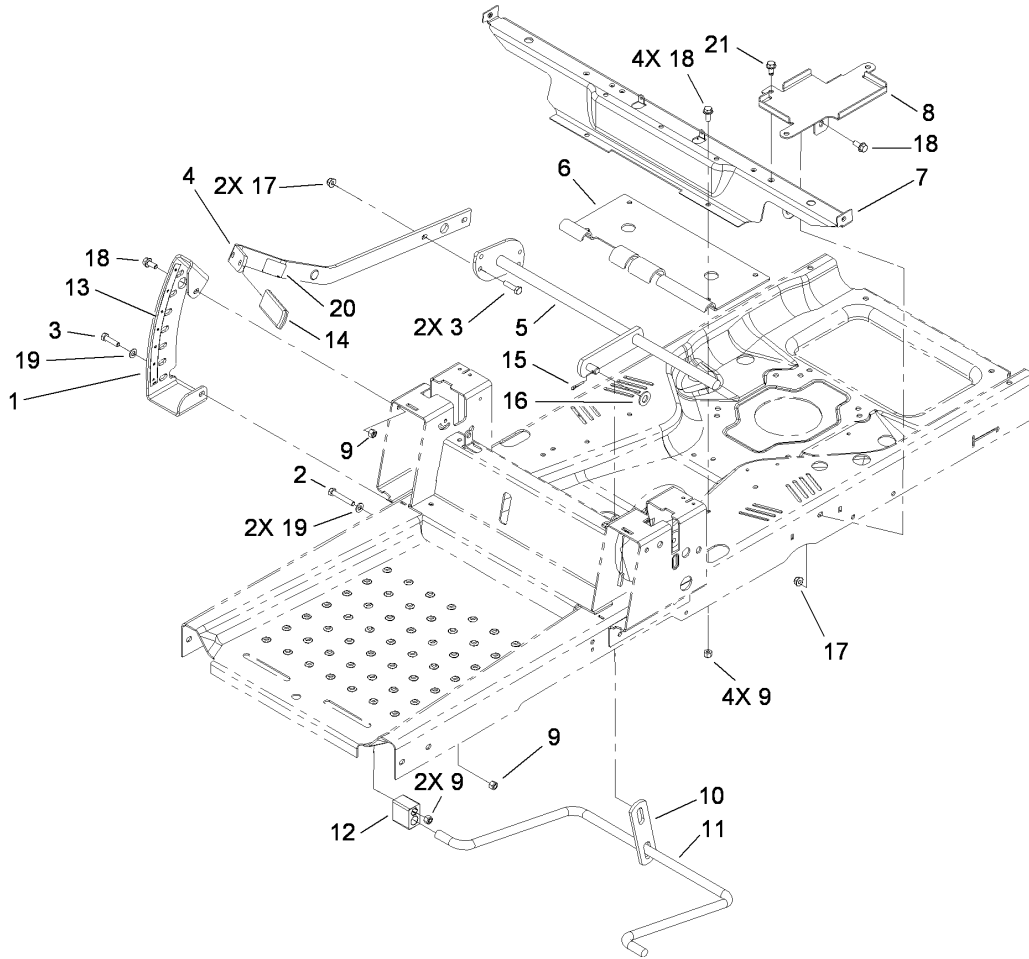
- |                      |  |
|----------------------|--|
| ❶ Not illustrated    | ❷ Not serviced separately  |
| ❸ Optional Equipment | ❹ Obtain parts from <a href="http://www.kohlerplus.com">www.kohlerplus.com</a> |



## Frame Assembly

Ref	Part No.	Qty.	Description
1	115-2464-01	1	Frame
2	110-6899-03	1	Bumper-Rear
3	115-5041-03	1	Seat Pivot/Control ASM
4	108-7882-01	1	Front Axle ASM
5	105-3471	2	Front Wheel And Tire ASM
5:1	105-1943	1	Tire
5:2	302-5	1	Fitting-Grease
5:3	232-27	1	Stem-Valve
5:5	114-1640	2	Bushing-Flange
5:99	93-4244	1	Tube-Inner (W/Valve)
6	104-3667	2	Spanner-Wheel
7	325-22	2	Screw-HH
8	3296-45	2	Nut-Lock, NI
9	108-7851-01	2	Caster Fork ASM
10	110-6767	2	Washer-Thrust
11	1-303514	4	Bearing-Flanged
12	104-8076	2	Washer
13	32151-103	2	Ring-Retaining, EXT
14	61-9780	2	Cap-Hub
15	3234-47	7	Screw-HHF
16	108-7855-03	1	Footrest
17	3296-29	7	Nut-Lock, NI
18	32104-32	2	Screw-HWH
19	302-5	2	Fitting-Grease

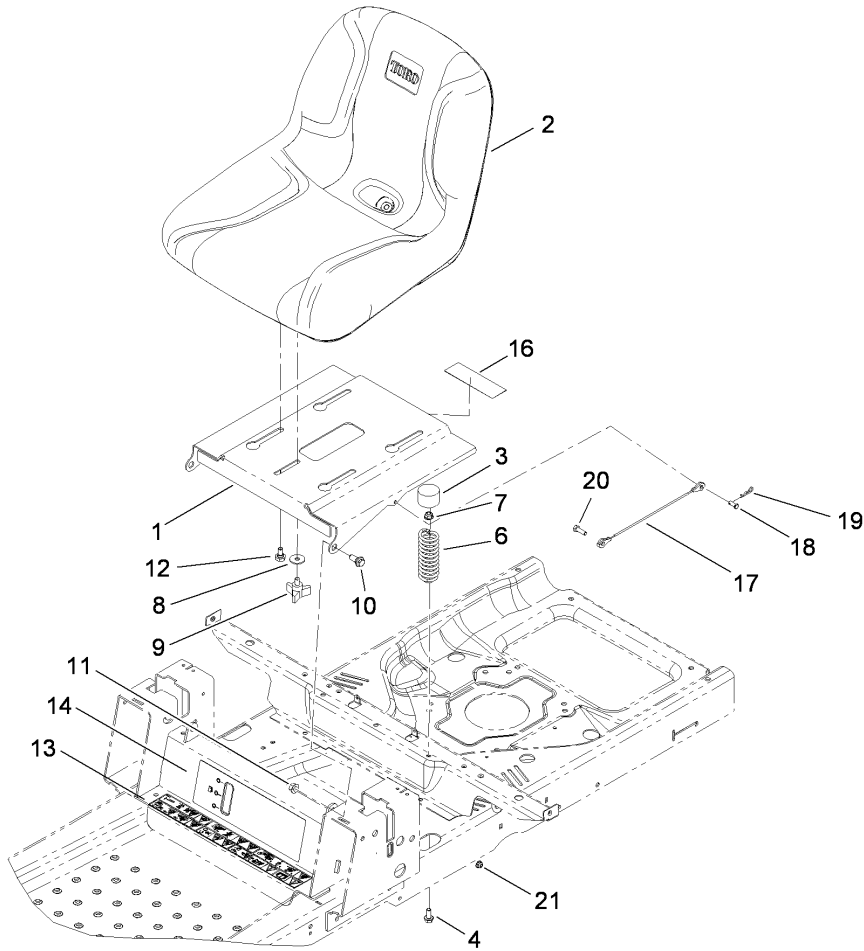
Ref	Part No.	Qty.	Description
20	323-8	4	Screw-HH
21	80-6990	2	Washer-Hardened
22	3296-39	8	Nut-Lock, NI
23	323-13	4	Screw-HH
24	99-2385	1	Decal
25	3256-24	10	Washer-Flat



## Deck Lift and Seat Support Assembly

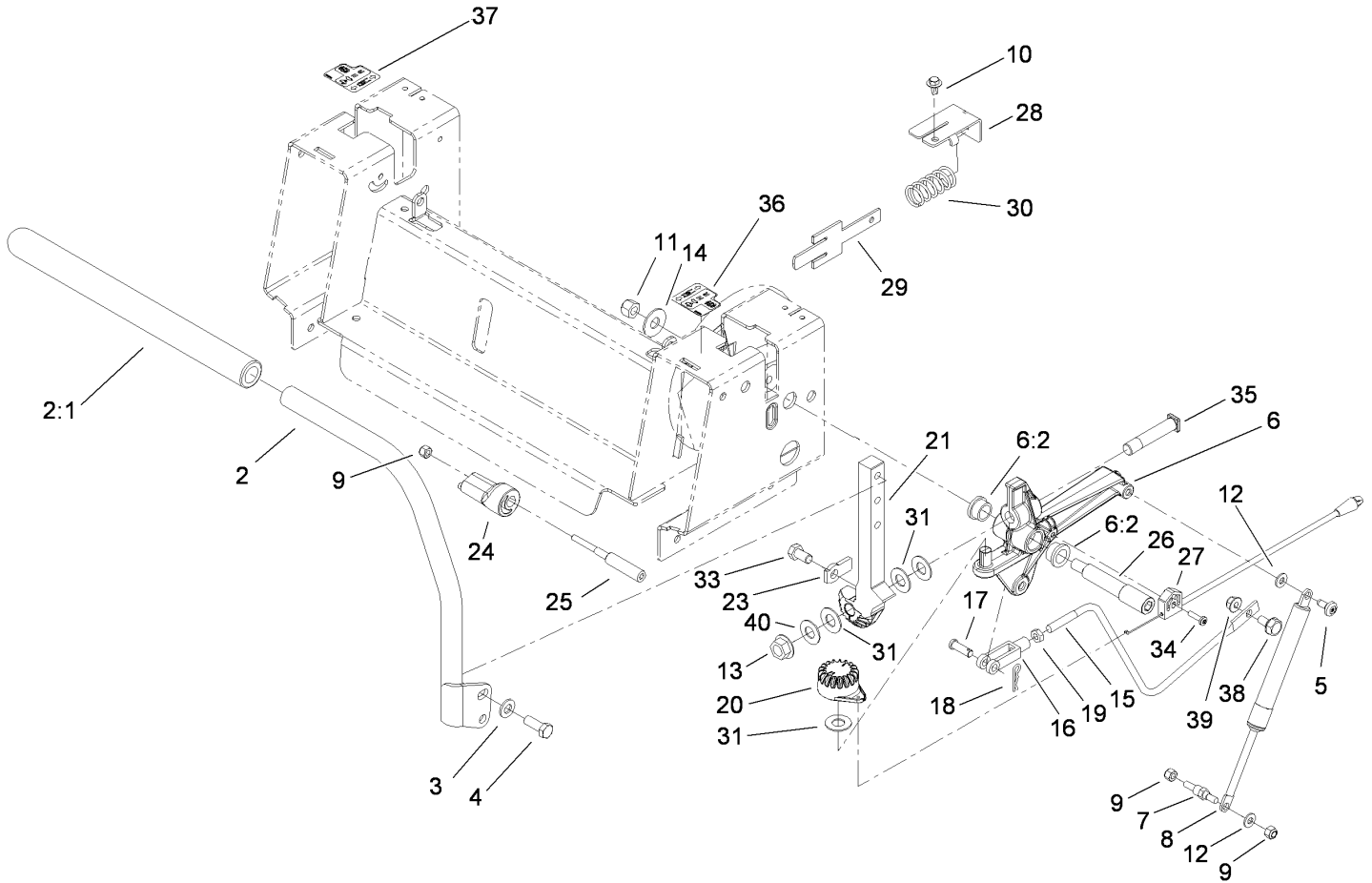
Ref	Part No.	Qty.	Description
1	112-4027-03	1	Sector-HOC
2	322-10	2	Screw-HH
3	322-6	3	Screw-HH
4	112-3960-03	1	Lift Arm ASM
5	108-7841-03	1	Lift Lever ASM
6	110-6800-03	1	Plate-Lift
7	110-6805-03	1	Bracket-Seat/Pods
8	110-1937-03	1	Tray-Battery
9	3296-29	8	Nut-Lock, NI
10	108-7840	1	Link-Lift
11	108-7839	1	Arm-Lift, Rear
12	108-7845	2	Block-Pivot
13	110-6824	1	Decal-HOC
14	105-3450	1	Grip-Lever, Lift
15	3272-10	1	Pin-Cotter
16	3256-26	1	Washer-Flat
17	104-8300	3	Nut-Flange, NI
18	3234-47	6	Screw-HHF
19	3256-23	3	Washer-Flat
20	106-8743	1	Decal
21	32104-32	1	Screw-HWH

--	--	--	--



## Seat Assembly

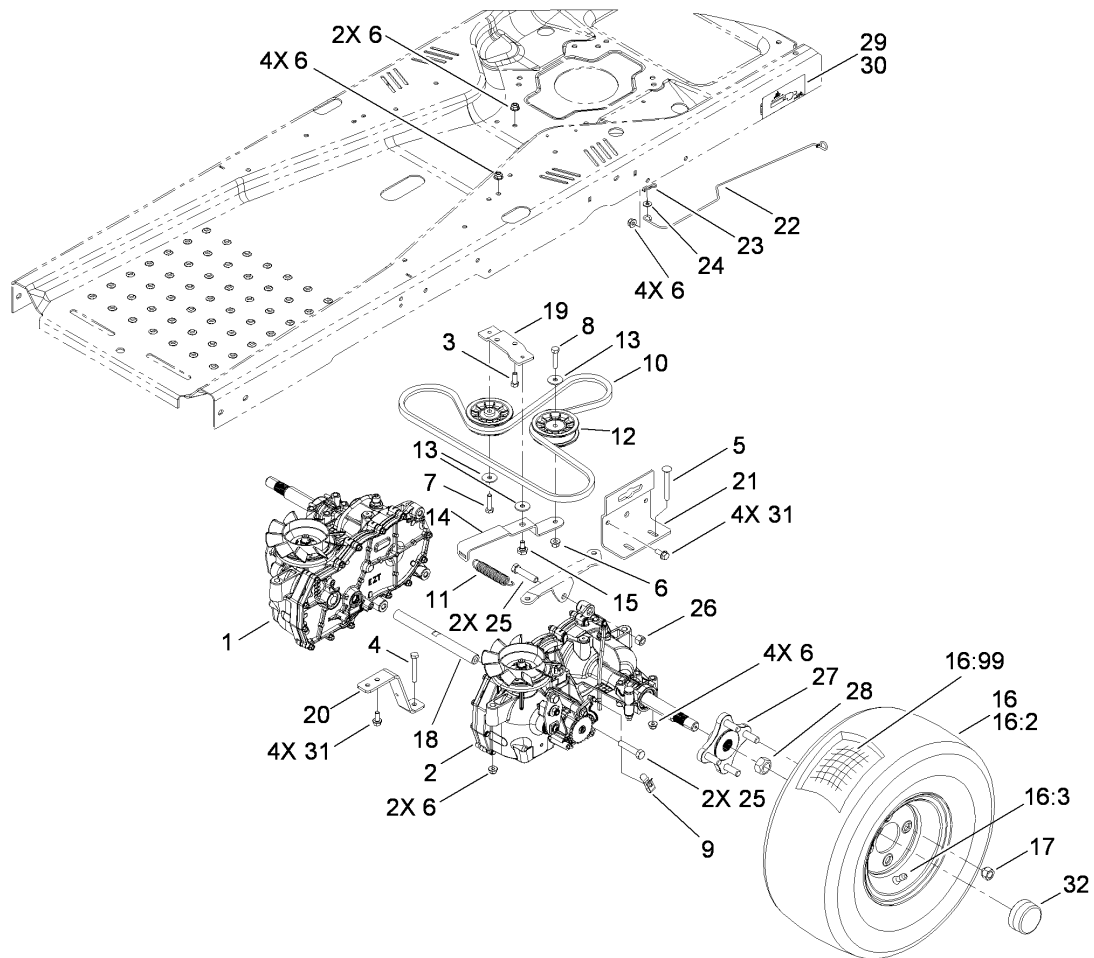
Ref	Part No.	Qty.	Description				
1	115-2465-03	1	Base-Seat				
2	117-1225	1	Seat-15 Inch				
3	701178	2	Cap-Protector				
4	3234-47	2	Screw-HHF				
6	92-7054	2	Spring-Compression				
7	104-8300	2	Nut-Flange, NI				
8	5-4460	1	Washer-Pivot				
9	92-9674	1	Knob				
10	94-7582	2	Bolt-Shoulder				
11	32128-21	2	Nut-HF				
12	37-8771	4	Bolt-Shoulder				
13	115-2469	1	Decal-Danger				
14	115-2450	1	Decal				
16	106-8717	1	Decal-Service				
17	109-2628	1	Cable-Stop, Seat				
18	60-1730	1	Pin-Clevis				
19	1-806003	1	Pin-Cotter, Hair				
20	321-5	1	Screw-HH				
21	104-7201	1	Nut-HF				



## Control Assembly

Ref	Part No.	Qty.	Description
1	110-6814	1	RH Handle ASM
1:1	108-6187	1	Grip
2	110-6815	1	LH Handle ASM
2:1	108-6187	1	Grip
3	3256-24	4	Washer-Flat
4	323-6	4	Screw-HH
5	112-4004	2	Screw-Shoulder
6	110-6828	2	Activator Arm ASM
6:2	105-3455	2	Bushing
7	110-6810	2	Stud-Damper
8	103-2913	2	Damper-Control, Motion
9	3296-42	6	Nut-Lock, NI
10	46-8560	2	Screw-HHF
11	3296-48	2	Nut-Lock, NI
12	3256-22	4	Washer-Flat
13	32128-23	2	Nut-HF
14	3256-5	2	Washer-Flat
15	110-6693	2	Link-Hydro
16	1-303105	2	Yoke-Adjustable
17	1-808280	2	Pin-Clevis
18	1-806003	2	Pin-Cotter, Hair
19	3220-2	2	Nut-Jam
20	110-6845	2	Gear-Control
21	110-6783-03	1	Arm-Actuator, LH

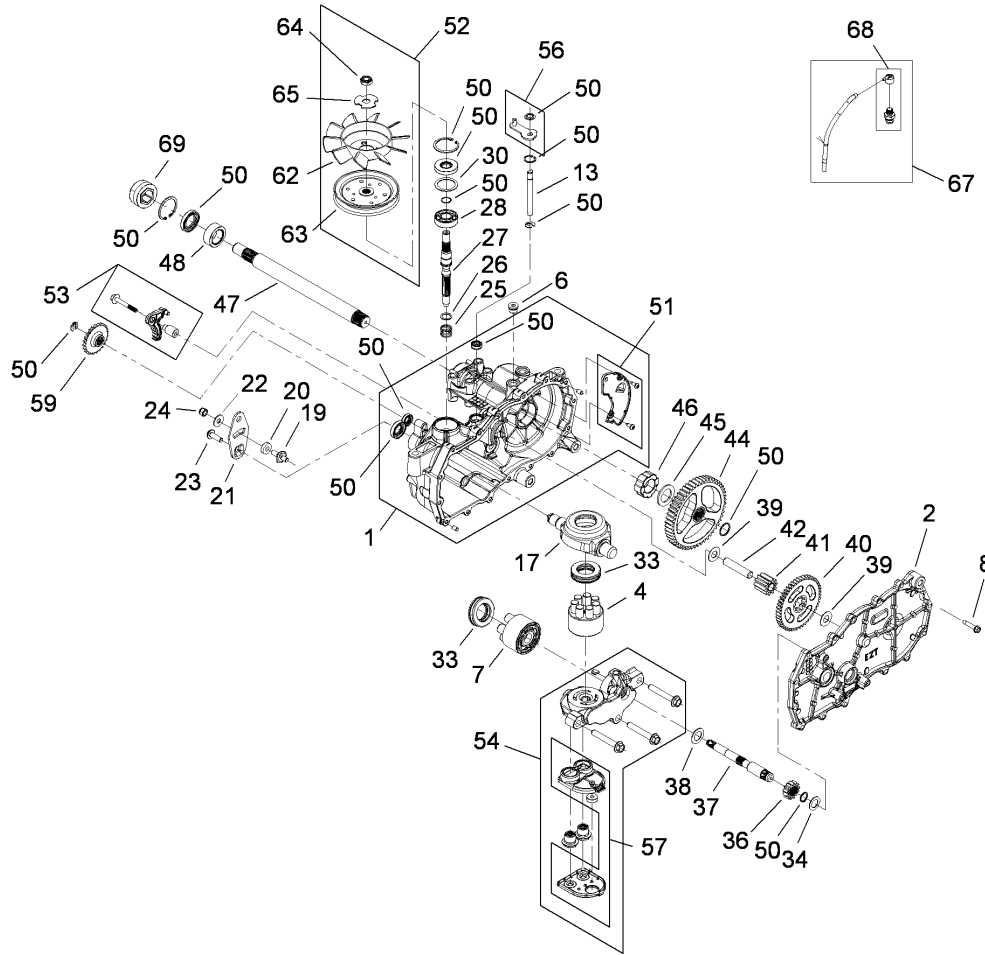
Ref	Part No.	Qty.	Description
22	110-6782-03	1	Arm-Actuator, RH
23	115-5023	2	Tab-Stop
24	110-6873	2	Eccentric
25	110-6874	2	Screw-Eccentric
26	110-6875	2	Bolt-Shoulder
27	110-6858	2	Cable-Brake, Parking
28	110-6751	2	Bracket-Return
29	110-6750	2	Plate-Return
30	110-6752	2	Spring
31	110-6894	8	Washer-Pivot
33	323-4	2	Screw-HH
34	110-0863	2	Screw-Torx
35	110-6784	2	Bolt-Shoulder
36	112-9750	1	Decal-Control Lever, LH
37	112-9751	1	Decal-Control Lever, RH
38	37-8771	2	Bolt-Shoulder
39	104-8300	2	Nut-Flange, NI
40	112-9771	2	Washer-Teflon



## Hydro Drive Assembly

Ref	Part No.	Qty.	Description
1	110-6771	1	Hydro-RH
2	110-6770	1	Hydro-LH
3	322-4	2	Screw-HH
4	322-11	2	Screw-HH
5	3230-9	4	Screw-CARR
6	104-8300	17	Nut-Flange, NI
7	322-6	1	Screw-HH
8	322-7	1	Screw-HH
9	110-6677	2	Clip-Spring
10	110-6774	1	V-Belt
11	63-1590	1	Spring-Idler
12	110-6775	2	Pulley-Idler
13	5-4460	3	Washer-Pivot
14	110-1925	1	Arm-Idler
15	37-8771	1	Bolt-Shoulder
16	110-6881	2	Wheel And Tire ASM
16:2	110-6885	1	Tire
16:3	232-27	1	Stem-Valve
16:99	107-2491	1	Tube-Tire
17	242-50	8	Nut-Lug
18	110-6807	1	Shaft-Cross
19	110-1926	1	Plate-Pivot
20	110-6806-03	2	Strap-Torque
21	110-6878-03	2	Support-Hydro

Ref	Part No.	Qty.	Description
22	110-6787	2	Rod-Bypass
23	1-806003	2	Pin-Cotter, Hair
24	3256-22	2	Washer-Flat
25	324-8	4	Screw-HH
26	3296-48	2	Nut-Lock, NI
27	112-3979	2	Hub ASM
28	112-3982	2	Nut-Lock
29	114-8532	1	Decal-Transport, LH
30	114-8531	1	Decal-Transport, RH
31	3234-47	8	Screw-HHF
32	115-5057	2	Cover-Nut, Axle

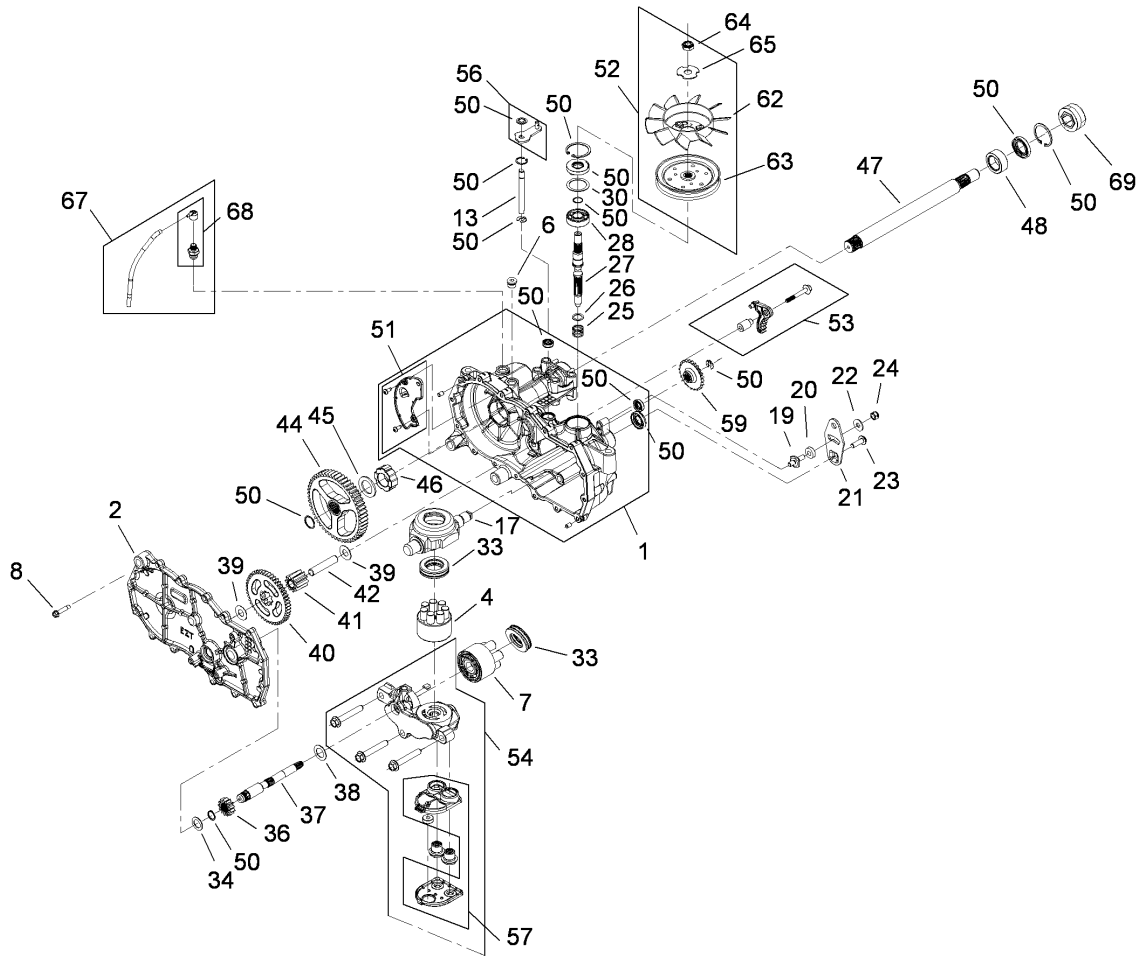


## RH Hydro Assembly No. 110-6771

Ref	Part No.	Qty.	Description
1	114-1630	1	RH Main Housing ASM
2	114-1631	1	RH Side ASM
4	110-8561	1	Pump Block ASM
6	104-2189	1	Plug-Thread, Straight
7	103-2666	1	Cylinder Block Kit
8	104-5305	16	Screw-HHF
13	106-8678	1	Rod-Bypass
17	104-5304	1	Swashplate-Trunnion
19	104-2116	1	Stud
20	112-9853	1	Puck-Friction
21	106-8747	1	Arm-Control
22	5-4460	1	Washer-Pivot
23	107-2488	1	Screw
24	105-1872	1	Nut
25	94-1936	1	Spring-Block
26	94-1937	1	Washer-Thrust, Block
27	104-5306	1	Shaft-Input
28	104-5311	1	Bearing-Ball
30	104-5308	1	Spacer
33	94-6922	2	Bearing-Thrust
34	104-5339	1	Washer-Flat
36	104-5316	1	Gear-Pinnion, 13T
37	114-1632	1	Shaft-Motor
38	104-5360	1	Washer-Shaft, Motor

Ref	Part No.	Qty.	Description
39	94-1933	2	Washer
40	104-5317	1	Gear
41	104-5318	1	Gear-Jackshaft, 10T
42	104-5329	1	Pin-Jackshaft
44	112-9855	1	Gear-52T, Bull
45	112-9856	1	Washer
46	112-9857	1	Bearing-Sleeve
47	112-9858	1	Shaft-Axle
48	112-9859	1	Bushing-Axle
50	106-8686	1	Seal Kit
51	106-8697	1	RH Expansion Plate Kit
52	106-8698	1	Fan Pulley Kit
53	114-1633	1	Brake Arm Kit
54	112-9861	1	RH Center Section Filter Kit
55	104-2147	1	Sealant
56	107-2489	1	Bypass Arm Kit
57	114-1634	1	Filter Kit
59	106-8694	1	Disc-Brake, Cog
62	110-8566	1	Fan-6 Inch, 10 Blade
63	104-1754	1	Pulley
64	105-1875	1	Nut-Lock
65	107-9122	1	Washer-Slotted
67	112-9866	1	Breather Kit
68	114-1635	1	Breather ASM



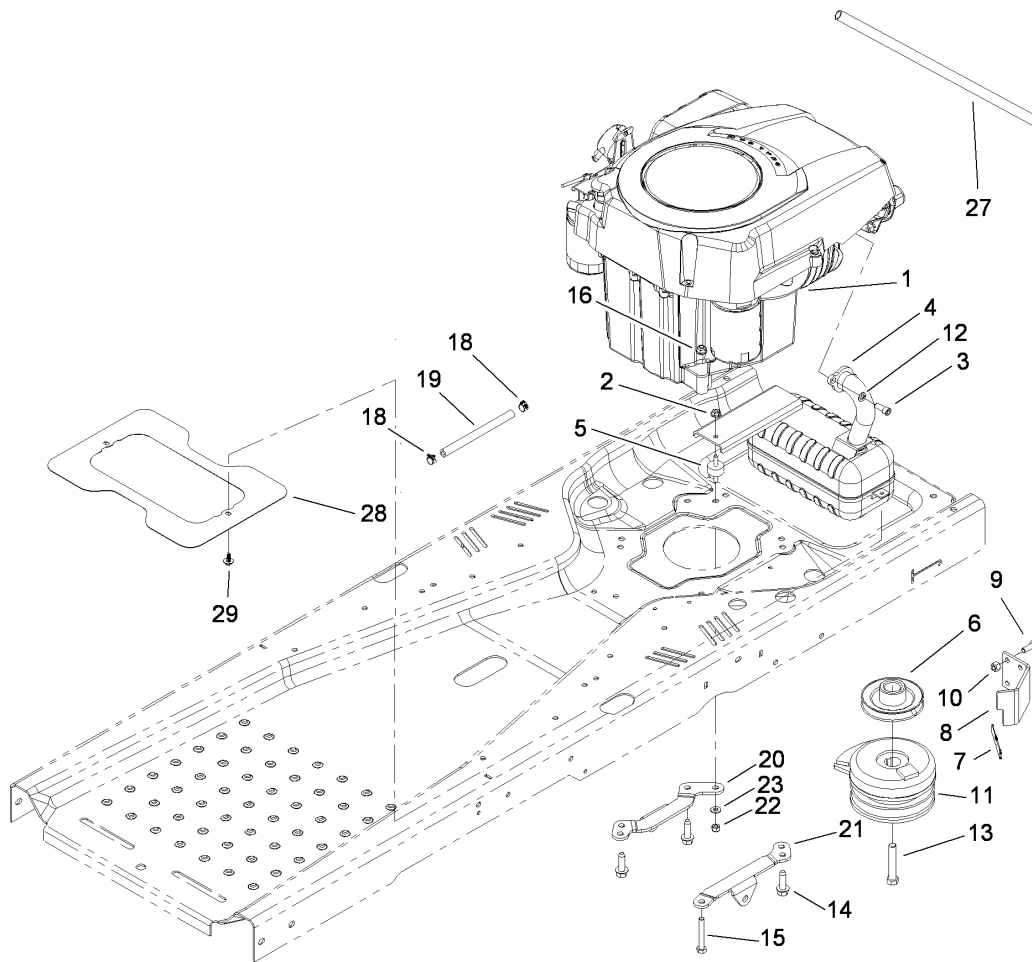


## LH Hydro Assembly No. 110-6770

Ref	Part No.	Qty.	Description
1	114-1636	1	LH Main Housing ASM
2	114-1637	1	LH Side ASM
4	110-8561	1	Pump Block ASM
6	104-2189	1	Plug-Thread, Straight
7	103-2666	1	Cylinder Block Kit
8	104-5305	16	Screw-HHF
13	106-8678	1	Rod-Bypass
17	104-5304	1	Swashplate-Trunnion
19	104-2116	1	Stud
20	112-9853	1	Puck-Friction
21	106-8747	1	Arm-Control
22	5-4460	1	Washer-Pivot
23	107-2488	1	Screw
24	105-1872	1	Nut
25	94-1936	1	Spring-Block
26	94-1937	1	Washer-Thrust, Block
27	104-5306	1	Shaft-Input
28	104-5311	1	Bearing-Ball
30	104-5308	1	Spacer
33	94-6922	2	Bearing-Thrust
34	104-5339	1	Washer-Flat
36	104-5316	1	Gear-Pinnion, 13T
37	114-1632	1	Shaft-Motor
38	104-5360	1	Washer-Shaft, Motor

Ref	Part No.	Qty.	Description
39	94-1933	2	Washer
40	104-5317	1	Gear
41	104-5318	1	Gear-Jackshaft, 10T
42	104-5329	1	Pin-Jackshaft
44	112-9855	1	Gear-52T, Bull
45	112-9856	1	Washer
46	112-9857	1	Bearing-Sleeve
47	112-9858	1	Shaft-Axle
48	112-9859	1	Bushing-Axle
50	106-8686	1	Seal Kit
51	106-8687	1	LH Expansion Plate Kit
52	106-8698	1	Fan Pulley Kit
53	114-1633	1	Brake Arm Kit
54	112-9862	1	LH Center Section Filter Kit
55	104-2147	1	Sealant
56	107-2489	1	Bypass Arm Kit
57	114-1634	1	Filter Kit
59	106-8694	1	Disc-Brake, Cog
62	110-8566	1	Fan-6 Inch, 10 Blade
63	104-1754	1	Pulley
64	105-1875	1	Nut-Lock
65	107-9122	1	Washer-Slotted
67	112-9866	1	Breather Kit
68	114-1635	1	Breather ASM

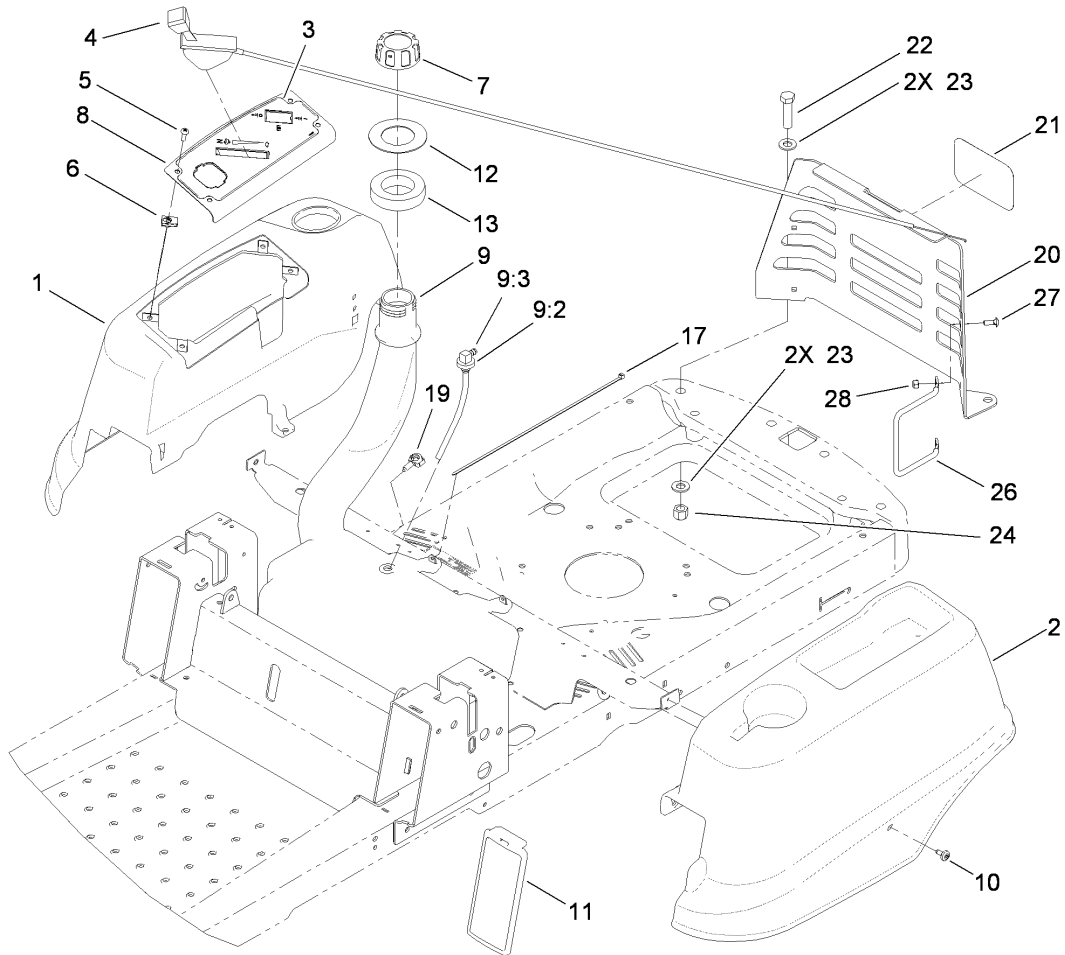




## Engine and Clutch Assembly

Ref	Part No.	Qty.	Description
1		1	Engine-Kohler, Sv590-0213
2	32128-33	1	Nut-HF
3	3274-10	2	Screw-HSH
4	112-4024	1	Muffler-Kohler
5	112-3976	1	Isolator
6	114-1622	1	Pulley-Engine
7	112-4033	1	Bumper
8	110-6896	1	Stop-Clutch
9	322-4	2	Screw-HH
10	3296-29	2	Nut-Lock, NI
11	104-3334	1	Clutch-Electric
12	3253-4	2	Washer-Lock
13	3212-10	1	Screw-HH
14	32144-109	3	Screw
15	322-11	1	Screw-HH
16	104-8300	1	Nut-Flange, NI
18	2412-98	2	Clamp
19	109-0306	1	Hose-Fuel
20	110-6798	1	Support-Hydro, RH
21	110-6799	1	Support-Hydro, LH
22	3296-42	1	Nut-Lock, NI
23	3256-22	1	Washer-Flat
27	106-7022	1	Tube-Drain, Oil
28	114-8544	1	Shield-Heat

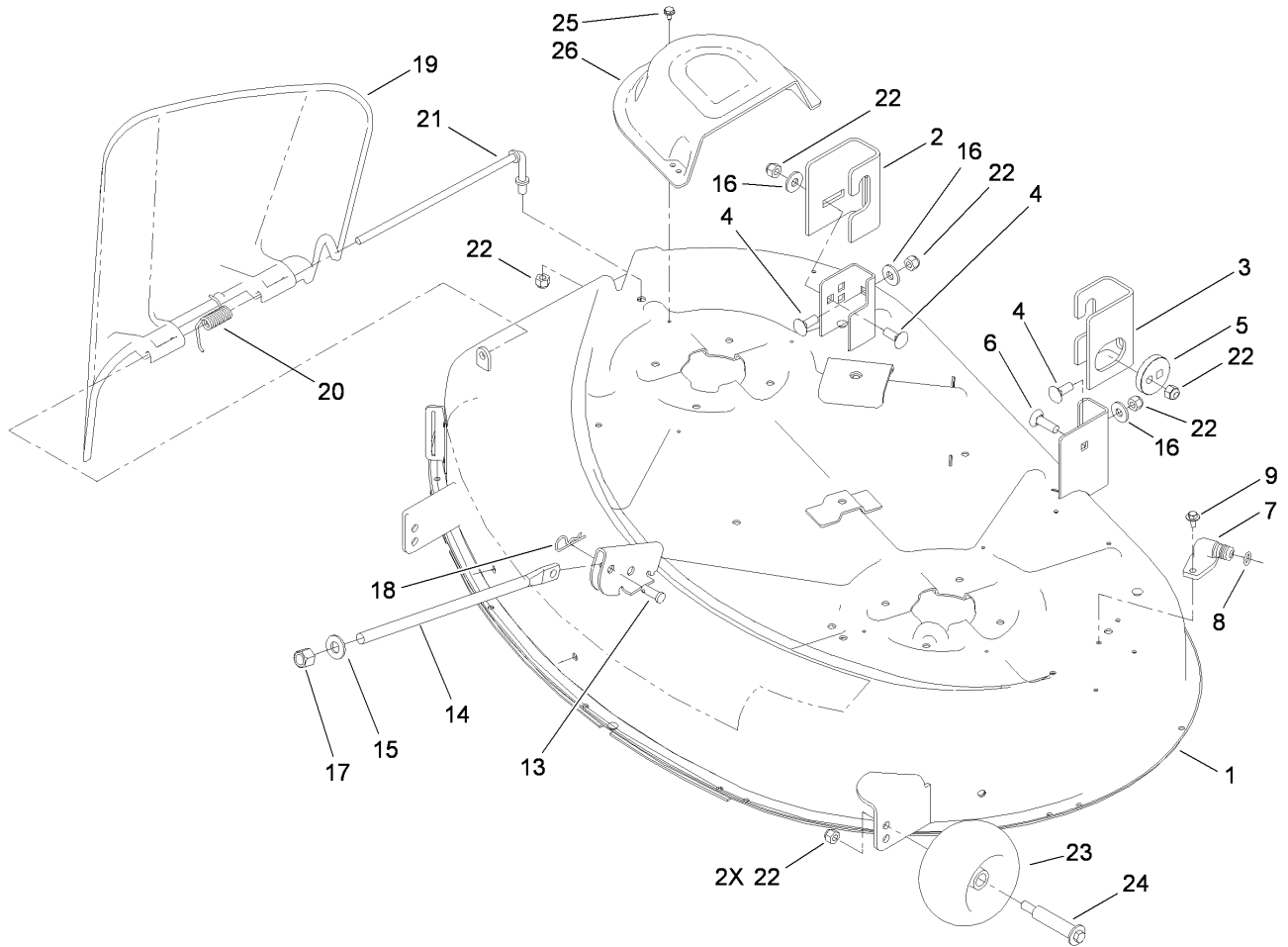
Ref	Part No.	Qty.	Description
29	46-8560	2	Screw-HHF



## Styling and Fuel System Assembly

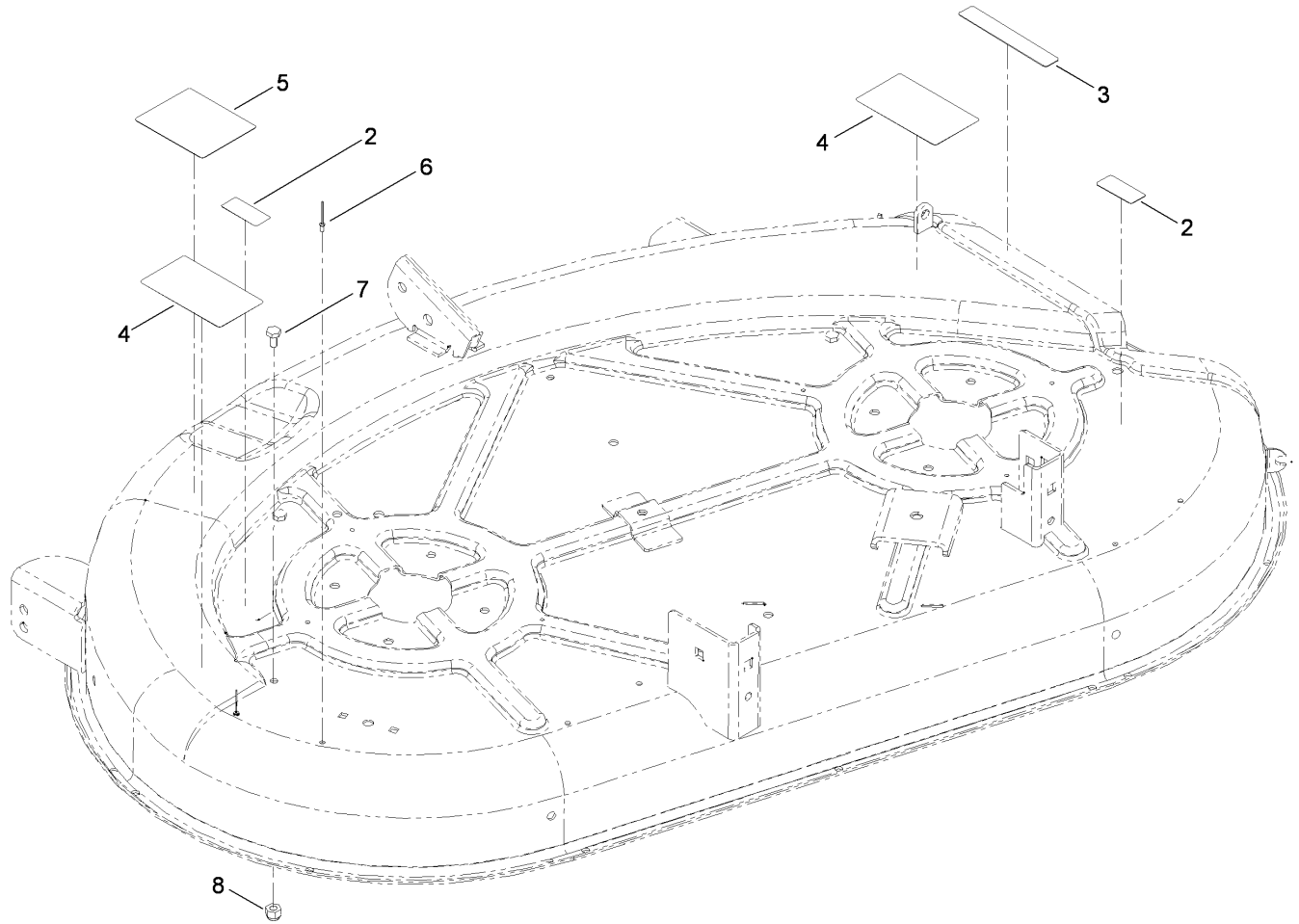
Ref	Part No.	Qty.	Description
1	117-1219	1	Pod-RH
2	117-1220	1	Pod-LH
3	115-2500	1	Decal-Panel, Control
4	104-3626	1	Cable-Throttle
5	3258-166	4	Screw-PRH
6	107069	4	Clip
7	93-7198	1	Gas Cap ASM
8	110-1927-03	1	Panel-Control
9	110-6890	1	Fuel Tank ASM
9:2	46-6560	1	Bushing
9:3	95-3970	1	Fitting-90 Degree
10	112-4004	6	Screw-Shoulder
11	110-6786	2	Cover-Control
12	112-9760	1	Washer-Rubber
13	55-9310	1	Seal-Foam
17	100-9064	1	Tie-Cable
19	105-1853	1	Clamp-Hose
20	110-6685-03	1	Support-Cover, Rear
21	105-8278	1	Decal
22	325-8	2	Screw-HH
23	3256-26	4	Washer-Flat
24	3296-23	2	Nut-Lock, NI
26	112-4022	1	Guard-Muffler
27	3229-1	2	Screw-CARR

Ref	Part No.	Qty.	Description
28	3296-42	2	Nut-Lock, NI



## 42 Inch Deck Assembly

Ref	Part No.	Qty.	Description
1	117-1290	1	42 Inch Deck ASM
2	108-7836	1	Bracket-Hanger, Right Rear
3	108-7838	1	Bracket-Hanger, Left Rear
4	3231-2	3	Screw-CARR
5	112-3980	1	Eccentric
6	3231-28	1	Screw-CARR
7	95-2747	1	Fitting-Washout
8	46-6290	1	O-Ring, Seal
9	46-8560	2	Screw-HHF
13	1-808284	1	Pin-Clevis
14	108-7847	1	Rod-Lift
15	87-7270	1	Washer-Thrust
16	80-6990	3	Washer-Hardened
17	3296-23	1	Nut-Lock, NI
18	9335054	1	Pin-Hair
19	112-3951	1	Deflector-42 Inch
20	110-6694	1	Spring-Torsion
21	112-4026	1	Rod-Pivot
22	3296-39	7	Nut-Lock, NI
23	1-603299	2	Roller-Scalp, Anti
24	112-3977	2	Bolt-Shoulder
25	32104-76	6	Screw
26	108-7889	2	Cover-Belt

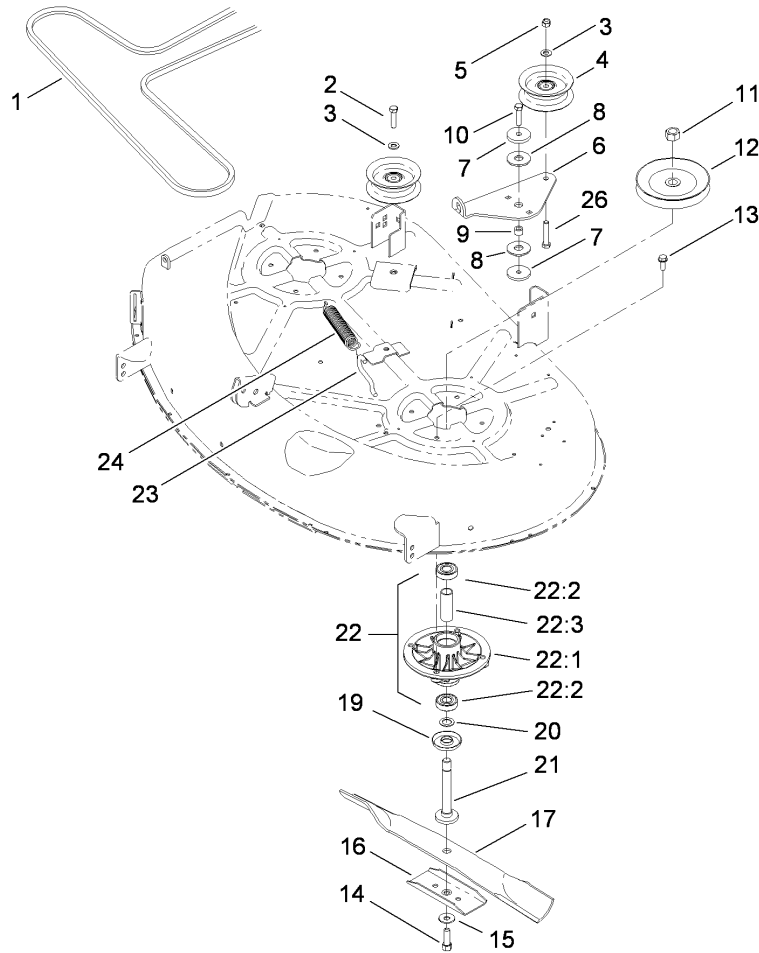



## 42 Inch Deck Assembly No. 117-1290

Ref	Part No.	Qty.	Description
2	114-1606	2	Decal-Danger, Pulley
3	93-7009	1	Decal-Danger, Deflector
4	110-6691	2	Decal-Danger
5	105-7015	1	Decal-Routing, Belt
6	3290-282	2	Rivet-Blind
7	321-2	3	Screw-HH
8	3296-42	3	Nut-Lock, NI

--	--	--	--

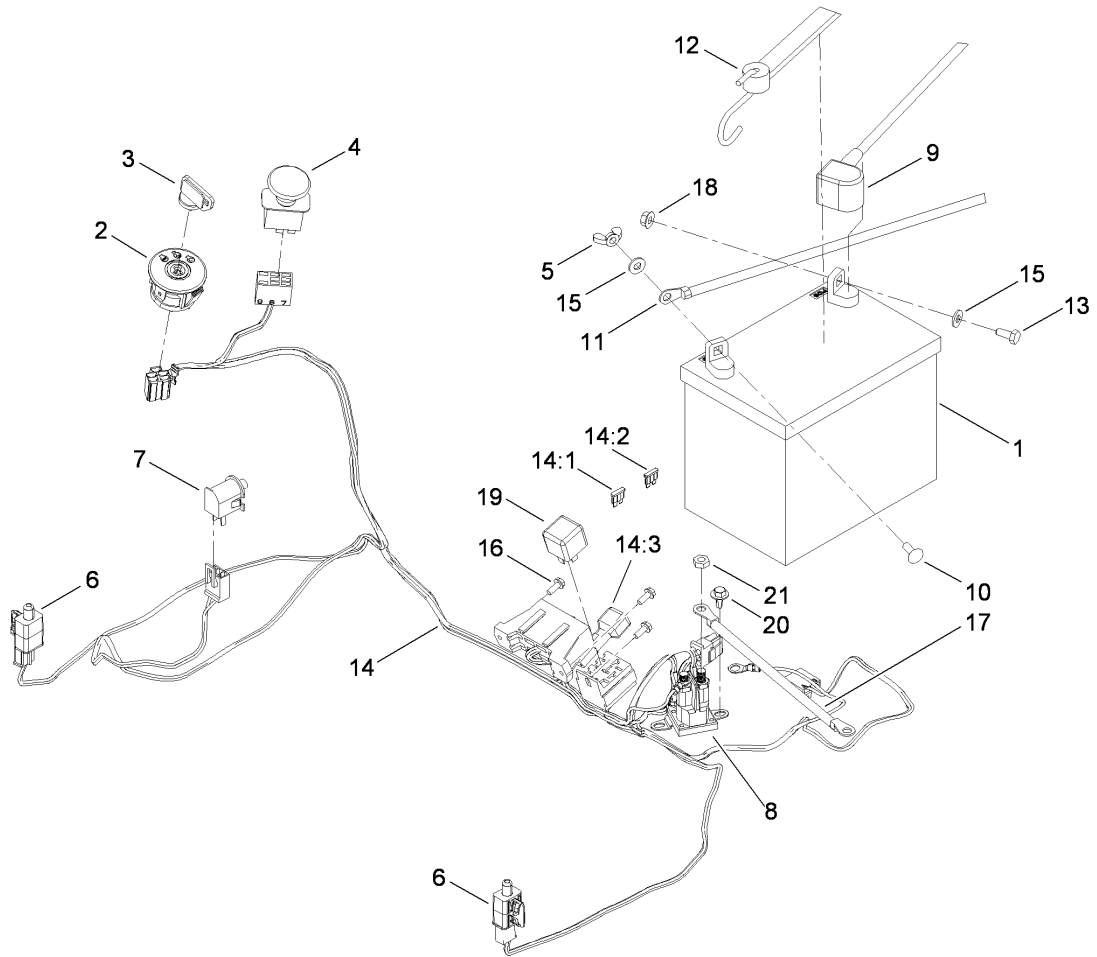




## 42 Inch Deck Spindle and Belt Drive Assembly

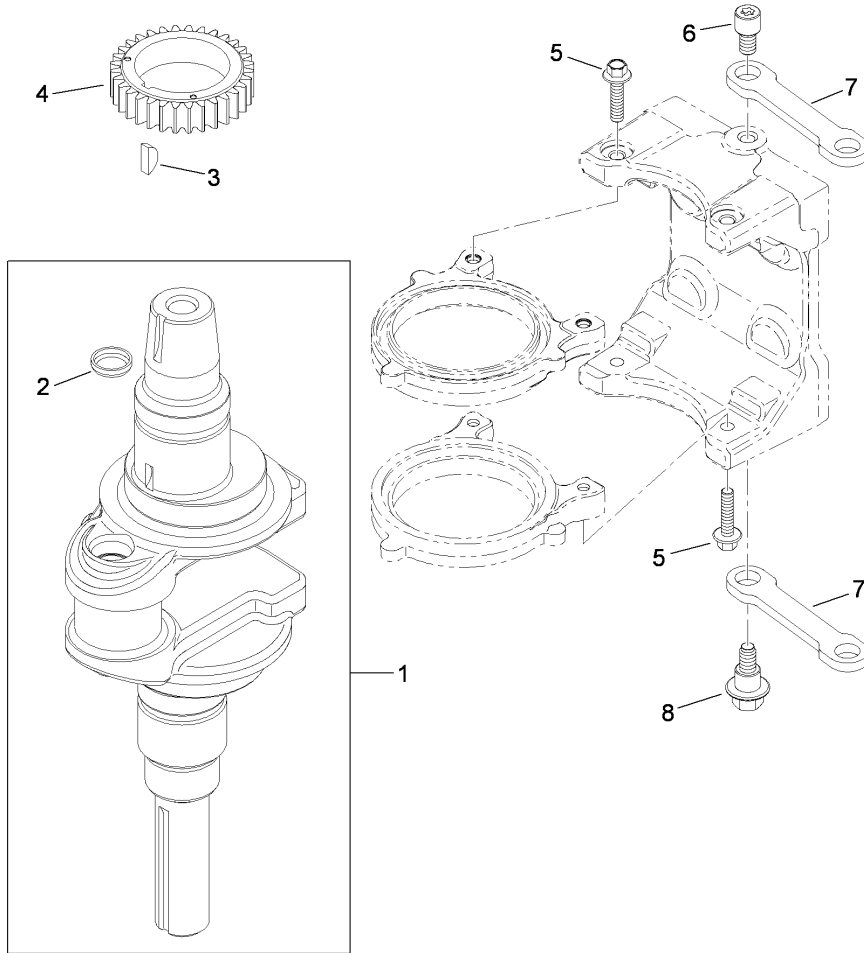
Ref	Part No.	Qty.	Description
1	110-6871	1	V-Belt
2	323-9	1	Screw-HH
3	3256-24	2	Washer-Flat
4	106-2175	2	Pulley-Idler, Flat
5	3296-39	1	Nut-Lock, NI
6	114-8540	1	Arm-Idler
7	110-9981	2	Washer-Plain
8	114-0463	2	Washer-Friction, Composite
9	115-4986	1	Spacer
10	323-8	1	Screw-HH
11	3219-6	2	Nut-Hex
12	110-6864	2	Pulley
13	32144-41	8	Screw-Taptite
14	26-0671	2	Screw-HH
15	3290-465	2	Washer-Belleville
16	106-2248-03	2	Stiffener-Blade
17	106-2247-03	2	Blade
19	80-4360	2	Shield-Bearing
20	80-4380	2	Spacer
21	110-6866	2	Shaft-Spindle
22		2	Spindle ASM
22:1	88-4510	1	Housing-Spindle
22:2	100-1048	2	Bearing-Ball
22:3	62-3661	1	Spacer

Ref	Part No.	Qty.	Description
23	88-5970	1	Hook-Return, Spring
24	106-2177	1	Spring-Extension
26	323-10	1	Screw-HH



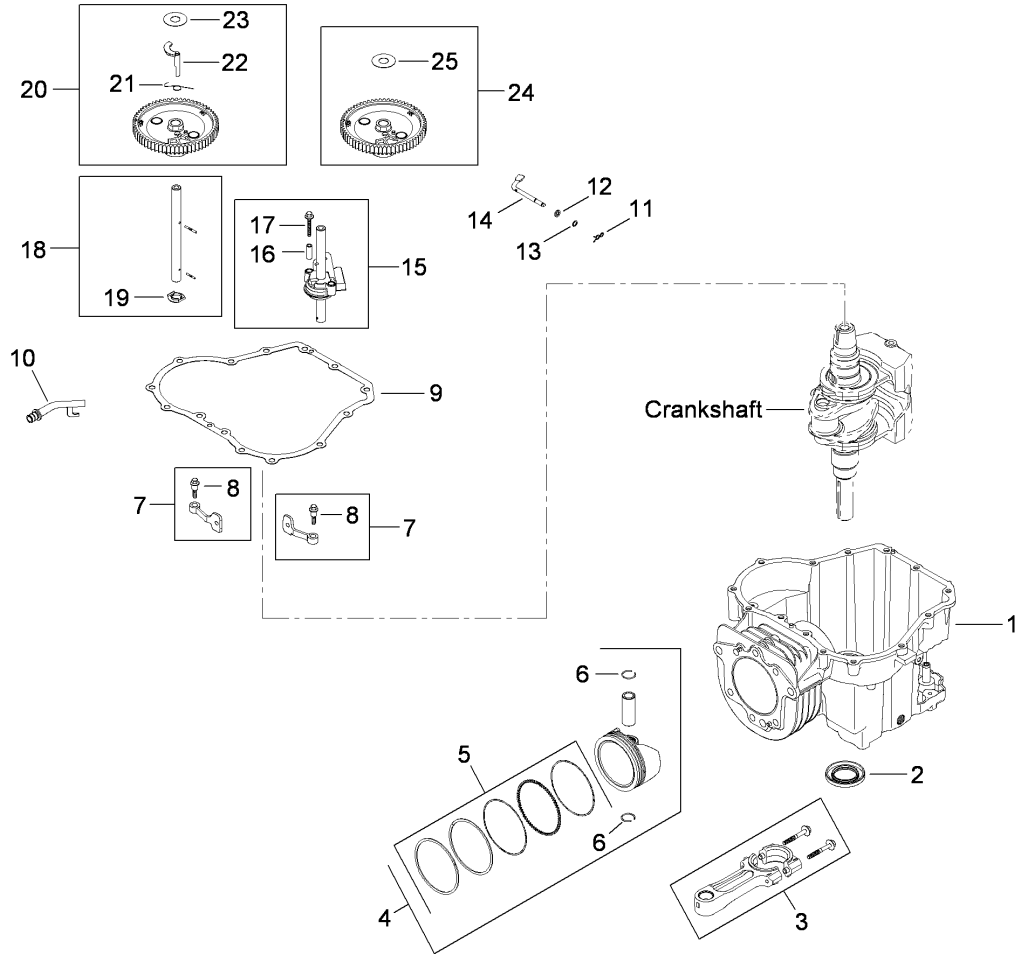
## Electrical Assembly

Ref	Part No.	Qty.	Description
1	104-2493	1	Battery
2	110-6764	1	Switch-Ignition
3	63-8360	1	Key-Ignition
4	93-9998	1	Switch-PTO
5	32103-22	1	Nut-Wing
6	110-6765	2	Switch-Single Pole No
7	82-2190	1	Switch-Bail
8	117-1197	1	Solenoid
9	110-6794	1	Cable-Battery, Red
10	3229-1	1	Screw-CARR
11	110-6793	1	Cable-Battery, Black
12	104-2466	1	Holddown-Battery
13	321-3	1	Screw-HH
14	117-1276	1	Harness-Wiring
14:1	109103	1	Fuse-30 Amp
14:2	109102	1	Fuse-25 Amp
14:3	100-4918	1	Diode
15	3256-22	2	Washer-Flat
16	32144-1	3	Screw-Taptite
17	110-6792	1	Cable-Battery, Red
18	32128-33	2	Nut-HF
19	98-7249	1	Relay
20	46-8560	2	Screw-HHF
21	3220-2	2	Nut-Jam

## Crankshaft Assembly Kohler SV590-0213

Ref	Part No.	Qty.	Description
❶	20 014 32-S	1	Crankshaft ASM (Includes Ref 2)
❷	25 139 27-S	1	Plug-Cup
❸	X-42-15-S	1	Key (3/16 X 5/8)
❹	20 043 15-S	1	Gear-Crankshaft
❺	25 086 137-S	4	Screw-Flanged (M6X1.0X25)
❻	25 086 214-S	1	Screw-Link, Pivot
❼	20 186 04-S	2	Linkage-Weight, Balance
❽	25 086 213-S	1	Screw-Shoulder

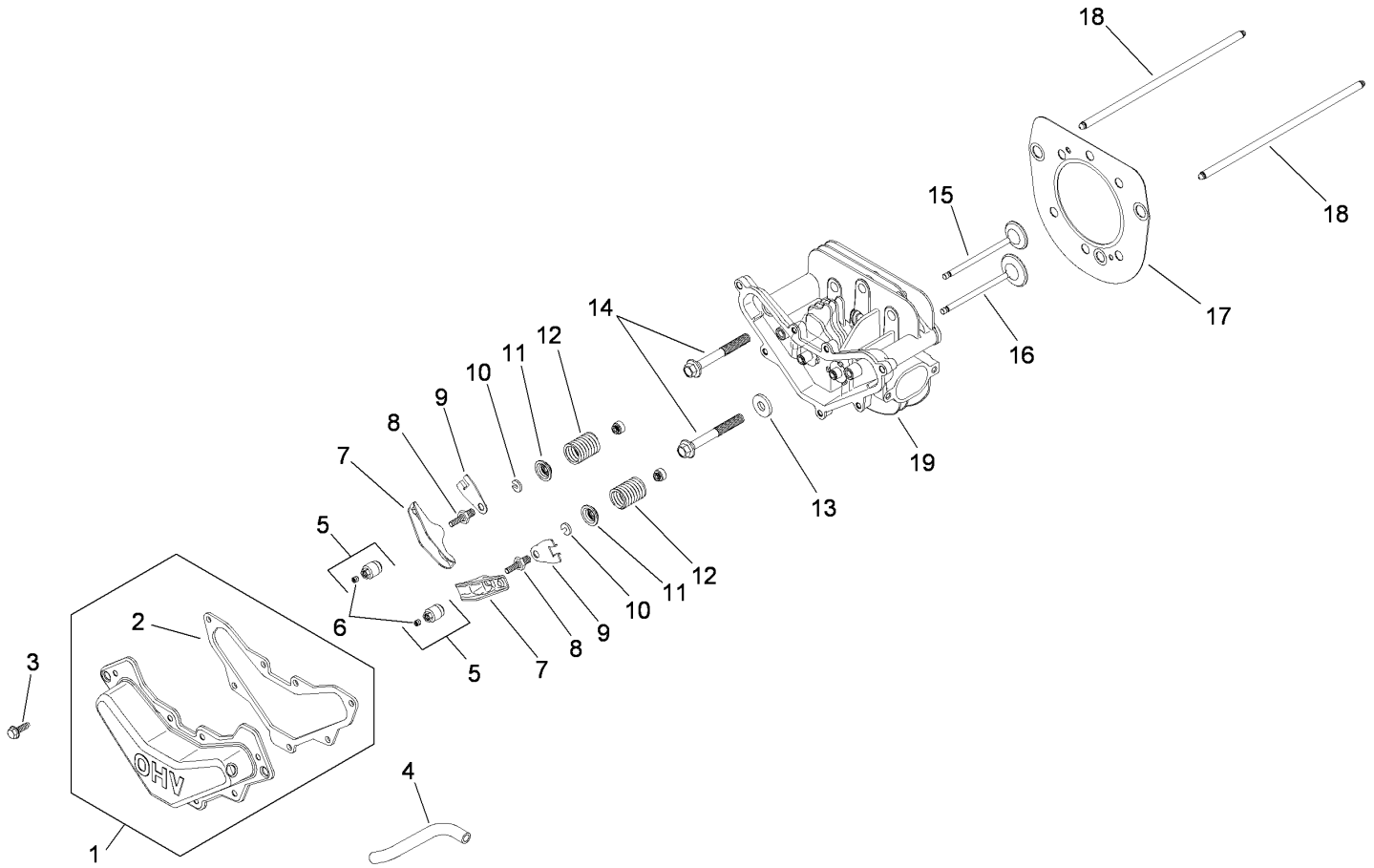



## Crankcase Assembly Kohler SV590-0213

Ref	Part No.	Qty.	Description
1	20 522 05	1	Sv590/600 Short Block
2	20 032 01-S	1	Seal-Oil
3	20 067 05-S	1	Connecting Rod ASM
4	20 874 09-S	1	Piston W/Ring Set (94Mm) (Includes Ref 5, 6)
5	20 108 04-S	1	Ring Set (94Mm)
6	62 018 04-S	2	Retainer-Pin, Piston
7	20 090 01-S	2	Cam Lever ASM (Includes Ref 8)
8	20 086 06-S	2	Bolt-Shoulder (M6X1X26)
9	20 041 01-S	1	Gasket-Plate, Closure
10	20 123 02-S	1	Tube-Back, Drain
11	12 154 05-S	1	Clip-Pin, Hitch
12	M-631015-S	1	Washer-Flat (6Mm)
13	X-25-102-S	1	Washer-Flat (1/4)
14	20 144 02-S	1	Shaft-Cross, Governor
15	20 393 02-S	1	Oil Pump ASM (Includes Ref 9, 16, 17)
16	20 112 02-S	2	Spacer-Screw, Oil Pump
17	20 086 13-S	2	Screw-Pump, Oil
18	20 144 11-S	1	Camshaft Center ASM (Exhaust) (Includes Ref 19)
19	20 468 08-S	1	Washer-Thrust
20	20 010 04-S	1	Cam Gear ASM (Includes Ref 21, 22, 23)
21	20 089 06-S	1	Spring-A C R

Ref	Part No.	Qty.	Description
22	20 044 23-S	1	Weight-Acr
23	20 468 03-S	1	Washer-Thrust, A C R
24	20 010 04-S	1	Cam Gear ASM (Includes Ref 25)
25	20 468 03-S	1	Washer-Thrust, A C R

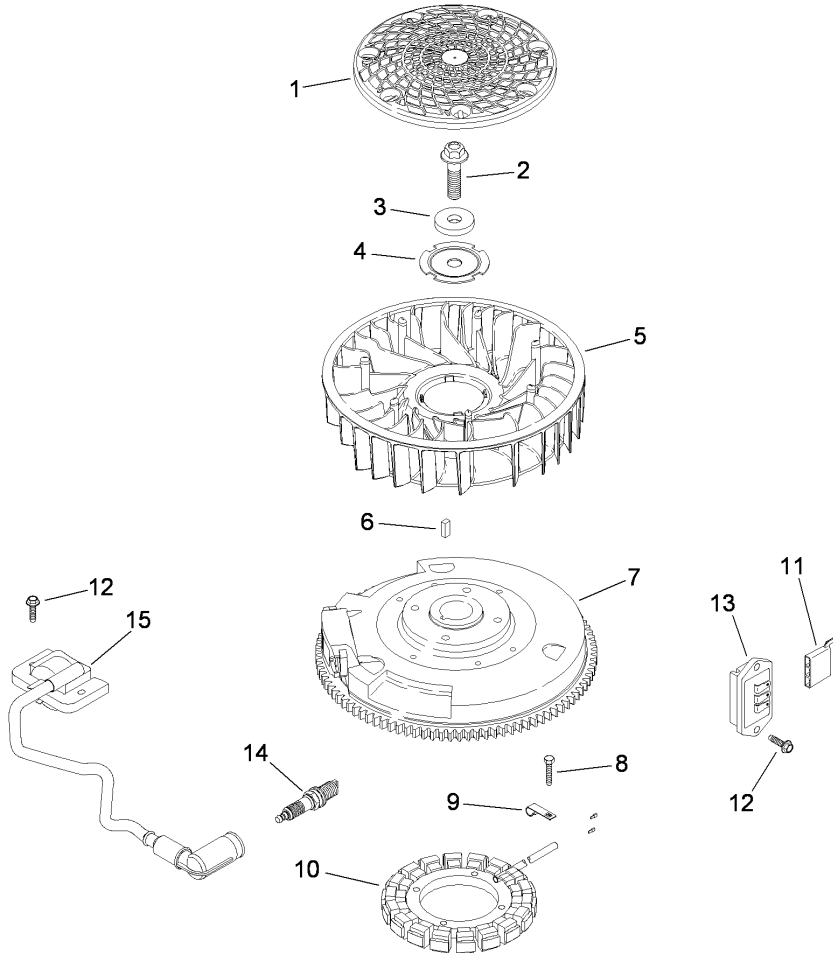




## Head, Valve and Breather Assembly Kohler SV590-0213

Ref	Part No.	Qty.	Description
1	20 096 07-S	1	Valve Cover Kit (Includes Ref 2)
2	20 041 13-S	1	Gasket-Cover, Valve
3	M-645020-S	7	Screw-HHFTF (M6X1.0X20)
4	20 326 20-S	1	Hose-Breather
5	20 599 03-S	2	Rocker Pivot ASM (Includes Ref 6)
6	20 086 04-S	2	Screw-Set
7	20 186 01-S	2	Arm-Rocker
8	20 072 08-S	2	Stud-Rocker
9	20 146 03-S	2	Plate-Guide, Push Rod
10	20 062 01-S	2	Lock-Retainer
11	20 173 01-S	2	Cap-Spring, Valve
12	20 089 03-S	2	Spring-Valve
13	12 468 05-S	1	Washer-Flat (1/2)
14	20 086 02-S	6	Screw-Flange, Hex (M10X1.5X37)
15	20 016 01-S	1	Valve-Exhaust
16	20 017 01-S	1	Valve-Intake
17	20 841 01-S	1	Cylinder Head Gasket Kit (Includes Ref 2, 13, 14, And 12 041 01-S, 12 041 02-S, 20 041 12-S, 20 041 17-S, 20 041 18-S, 25 086 87-S, X-21-1-S)
18	20 411 04-S	2	Rod-Push
19	20 318 11-S	1	Cylinder Head Kit (Includes 25 086 87-S, X-21-1-S)

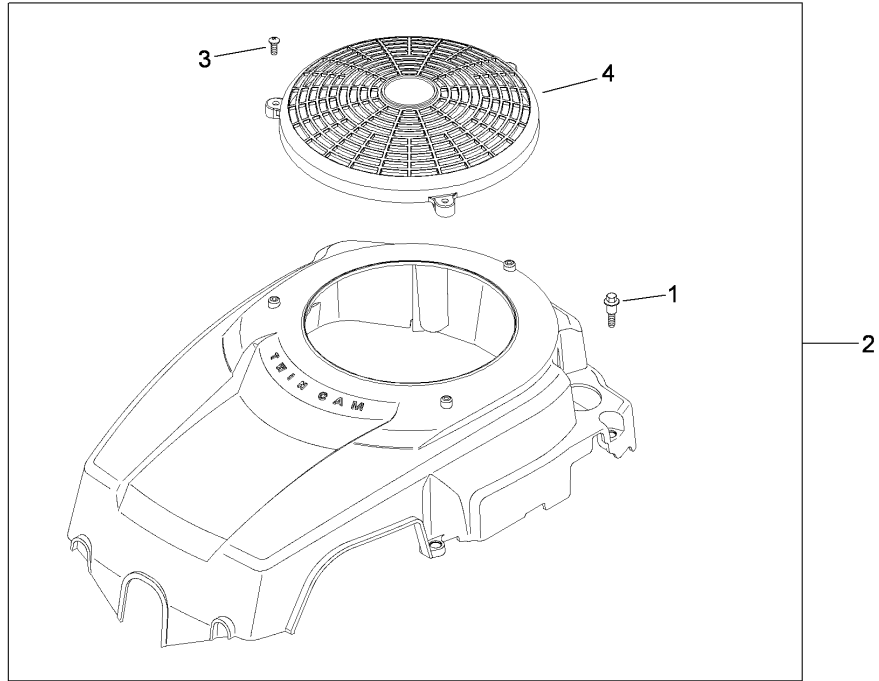
Ref	Part No.	Qty.	Description
12	12 041 01-S	1	Gasket-Carburetor
12	12 041 02-S	1	Gasket-Base, Air Cleaner
12	20 041 12-S	1	Gasket-Exhaust
12	20 041 18-S	1	Gasket-Deflector, Heat
12	20 041 17-S	1	Gasket-Deflector, Heat
12	20 599 04-S	2	Rocker Pivot ASM (Includes Ref 6)
12	25 086 87-S	2	Capscrew-Socket, Hex Head
12	X-21-1-S	2	Washer, Spring Lock 5/16



## Ignition and Electrical Assembly Kohler SV590-0213

Ref	Part No.	Qty.	Description
④1	20 162 02-S	1	Screen-Grass
④2	25 086 125-S	1	Screw-Flange, Hex
④3	25 468 09-S	1	Washer-Flat
④4	20 146 05-S	1	Plate-Mounting, Fan
④5	20 157 01-S	1	Fan
④6	25 340 02-S	1	Key-Flywheel, Straight
④7	20 025 40-S	1	Flywheel
④8	M-548025-S	2	Screw-Thread Forming (M5X0.8X25)
④9	20 154 04-S	1	Clip-Cable
④10	237878-S	1	15 Amp Stator Kit (Includes 25 452 01-S)
④11	25 155 41-S	1	Connector (3 Contact)
④12	M-545020-S	4	Screw-Flange, Thread Forming (M5X.8X20)
④13	41 403 10-S	1	Rectifier/Regulator
④14	25 132 14-S	1	Spark Plug (R F I)
④15	20 584 03-S	1	Module-Ignition (C D I Fixed)
①④	28 176 13-S	1	Harness-Wiring
①④	25 452 01-S	2	Terminal
①④	25 454 05-S	1	Tie

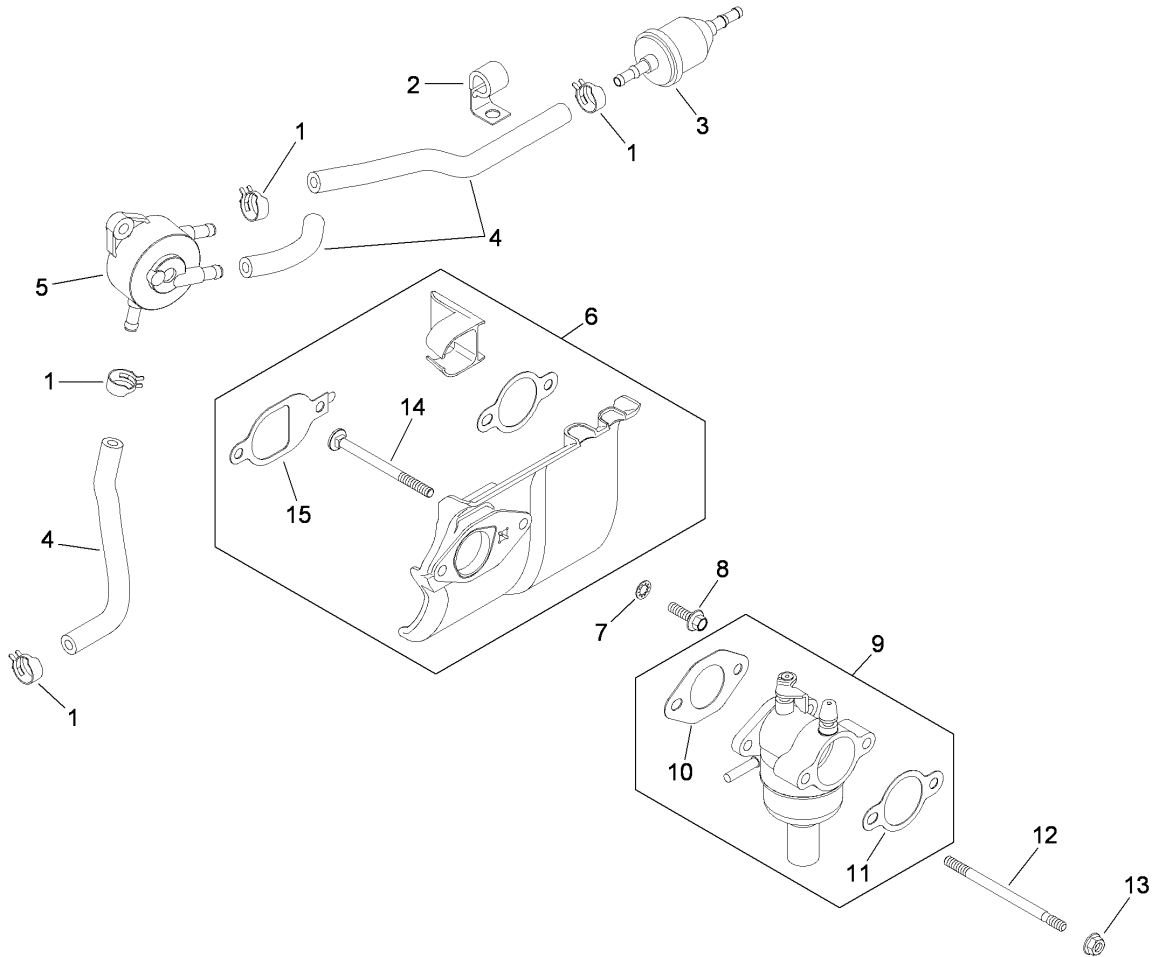
--	--	--	--



## Blower Housing Assembly Kohler SV590-0213

Ref	Part No.	Qty.	Description				
1	20 086 06-S	4	Bolt-Shoulder (M6X1X26)				
2	20 755 11-S	1	Blower Housing And Guard Kit (Includes Ref 1, 3, 4 And 20 113 29-S, 41 037 10-S)				
3	24 086 41-S	3	Screw-PPH (11-16X1/2)				
4	20 314 06-S	1	Guard-Fixed				
1	20 113 29-S	1	Label-Round, Kohler				
1	41 037 10-S	1	Nameplate-Service				

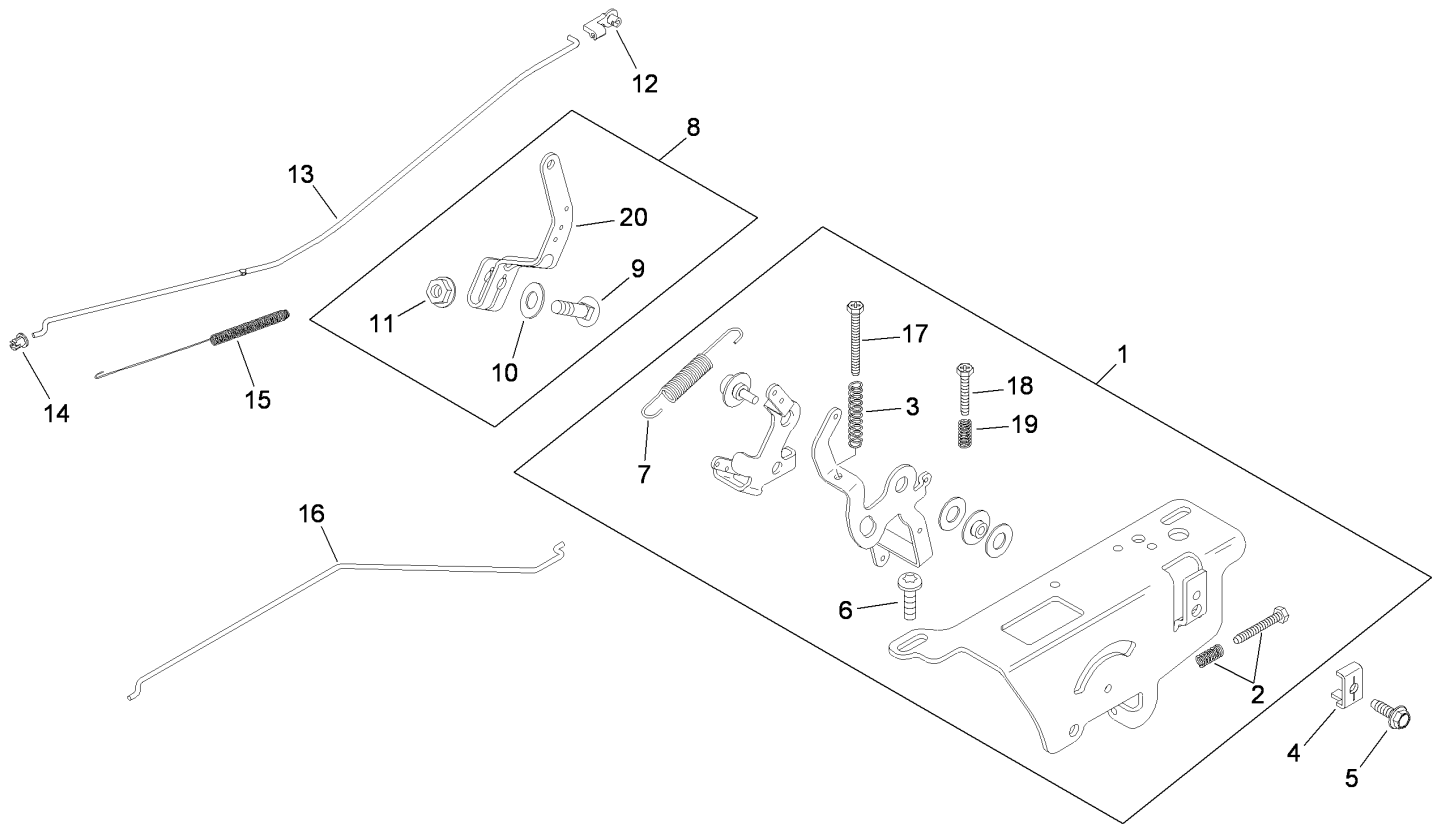




## Fuel System Assembly Kohler SV590-0213

Ref	Part No.	Qty.	Description
④1	25 237 14-S	4	Clamp-Hose, Spring (1/2)
④2	47 154 01-S	1	Clip-Cable
④3	25 050 22-S	1	Filter-Fuel
④4	25 111 34-S	2	Line-Fuel (24.0 Cut To Length)
④5	24 393 16-S	1	Pump-Fuel
④6	20 265 09-S	1	Heat Deflector ASM (Includes Ref 11, 14, 15, 20 332 01-S)
④7	X-22-11-S	1	Washer-Lock, Internal Tooth (1/4)
④8	M-651020-S	1	Screw-Flange, Hex (M6X1.0X20)
④9	20 853 33-S	1	Carburetor (Includes Ref 10, 11) (Repair Kit/W 12 755 109-S, 12 755 110-S, 12 757 02-S, 12 757 03-S, 12 757 33-S, 12 757 37-S, 20 755 07-S)
④10	12 041 01-S	1	Gasket-Carburetor
④11	12 041 02-S	1	Gasket-Base, Air Cleaner
④12	20 072 05-S	1	Stud-Mounting, Carburetor (M6X1.0X100)
④13	M-641060-S	2	Nut-Flange (M6X1.0)
④14	20 072 07-S	1	Stud-Carburetor
④15	20 041 18-S	1	Gasket-Deflector, Heat
①④	25 454 05-S	1	Tie
①④	12 755 109-S	1	High Altitude Kit (5000 Or 10000 Ft)
①④	12 755 110-S	1	Choke Shaft Kit
①④	12 757 02-S	1	Float Repair Kit

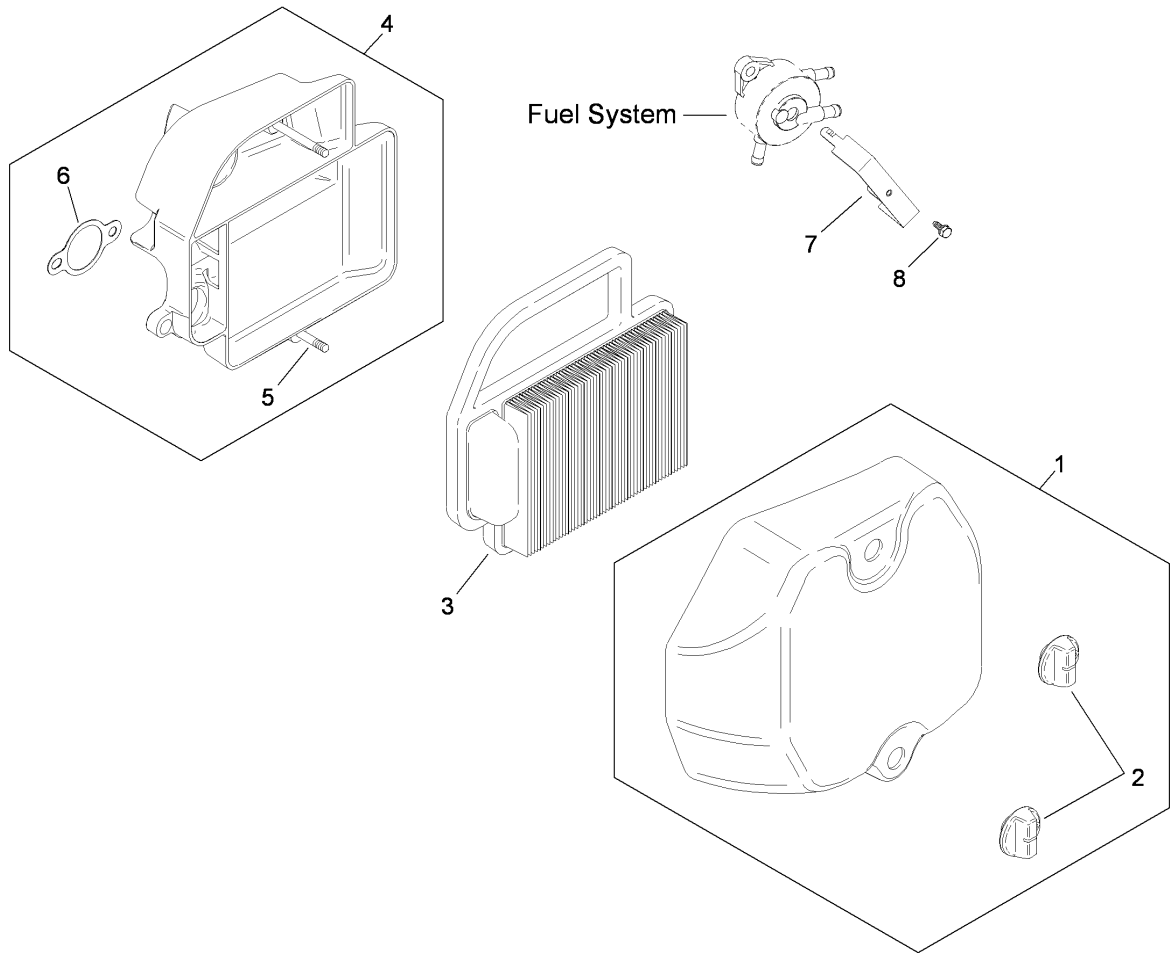
Ref	Part No.	Qty.	Description
①④	12 757 03-S	1	Carburetor Repair Kit
①④	12 757 33-S	1	Solenoid Repair Kit
①④	12 757 37-S	1	Bowl Replacement Repair Kit
①④	20 755 07-S	1	High Altitude Kit (10, 000 Ft)



## Engine Control Assembly Kohler SV590-0213

Ref	Part No.	Qty.	Description
④1	20 536 06-S	1	Speed Control ASM (Includes Ref 2, 3, 6 [qty 1], 7, 17-19)
④2	25 086 297-S	1	Idle Adjusting Screw And Spring Kit
④3	20 089 12-S	1	Spring-Control, Speed (Long)
④4	12 237 01-S	2	Clamp-Cable
④5	M-545016-S	2	Screw-Flange, Thread Forming (M5X0.8X16)
④6	M-664020-S	2	Screw-Socket, 6 Lobed (Thread Forming, M6X1.0X20)
④7	20 089 11-S	1	Spring-Governor
④8	20 090 11-S	1	Governor Lever ASM (Includes 9-11, 20)
④9	52 211 04-S	1	Bolt-Square Neck, Round Head (1/4-20X1)
④10	X-22-11-S	1	Washer-Lock, Internal Tooth (1/4)
④11	12 100 07-S	1	Nut-Flange, Hex (1/4-20)
④12	25 158 11-S	1	Bushing-Retaining, Linkage
④13	20 079 07-S	1	Linkage-Throttle
④14	25 158 08-S	1	Bushing-Linkage, Throttle
④15	20 089 10-S	1	Spring-Linkage
④16	20 079 05-S	1	Linkage-Choke (Single Wire)
④17	20 086 18-S	1	Screw-Phl Thd Frm (M4X0.7X38)
④18	20 086 10-S	1	Screw-Thread Forming (M4X0.7X25)
④19	12 089 11-S	1	Spring-Control, Speed

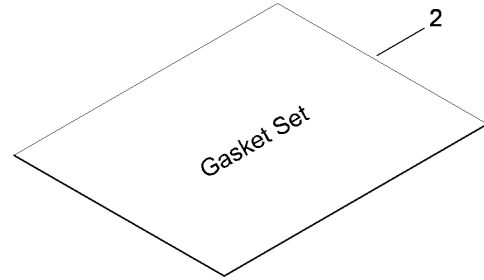
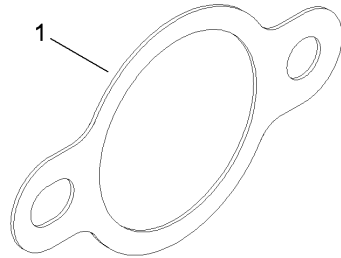
Ref	Part No.	Qty.	Description
④20	20 090 02-S	1	Lever-Governor



## Air Intake and Filtration Assembly Kohler SV590-0213

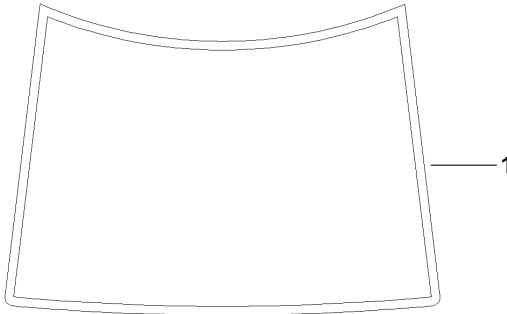
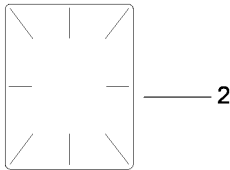
Ref	Part No.	Qty.	Description
④1	20 096 04-S	1	Air Cleaner Cover Kit (Includes Ref 2)
④2	25 341 04-S	2	Knob-Cover
④3	20 083 02-S	1	Element-Cleaner, Air
④4	20 094 04-S	1	Air Cleaner Base Kit (Includes Ref 5, 6)
④5	20 072 04-S	2	Stud-Base, Air Cleaner
④6	12 041 02-S	1	Gasket-Base, Air Cleaner
④7	20 126 12-S	1	Bracket-Pump, Fuel
④8	M-445010-S	1	Screw-Thrd Frm (M4X0.7X10)

--	--	--	--



## Gaskets Kohler SV590-0213

Ref	Part No.	Qty.	Description
1	20 041 12-S	1	Gasket-Exhaust
2	20 755 05-S	1	Gasket Set



Artwork is representative  
 Actual labels may differ depending on model and specification number

## Decals

### Kohler SV590-0213

Ref	Part No.	Qty.	Description
1	20 113 13-S	1	Decal (19 H P)
2	25 113 39-S	1	Decal-Laminate, Clear

# Attachments and Accessories

## For 74380 - TimeCutter Z4200 Riding Mower

Product Name	Model/Part
Smooth Tread Front Tire Kit .....	110-6739
Hour Meter Kit .....	112-9763
42 Inch Blowout Ring Kit .....	114-1620
Armrest Kit .....	79212
42 Inch Replacement Blade Kit .....	79220
Foot Assist Cutting Unit Lift Kit .....	79313
Engine Cover Kit .....	79314
Floor Mat Kit .....	79315
Rear Engine Guard .....	79316
Rear Hitch Kit .....	79318
42 Inch and 50 Inch Twin Bagger .....	79324

