



## GrandStand<sup>®</sup> Mower With 52in TURBO FORCE<sup>®</sup> Cutting Unit

Model No. 74559 - 290003001 and up.

### Parts Catalog

---

#### Ordering Replacement Parts

To order replacement parts, please supply the part number, the quantity, and the description of each part desired.

#### Understanding Reference Numbers

Each Identified part in an illustration has a reference number. The reference number for a part also appears in the parts list, along with other information about the part.

This catalog uses two special reference number formats, one to indicate parts in a service assembly and another to indicate the quantity of a given part in an illustration.

#### Service Assembly Reference Numbers

Parts in service assemblies have reference numbers in the form a:b. The a represents the reference number of the entire service assembly and the b represents a sequential number unique to each part within the service assembly.

For example, a wheel assembly might be identified by reference number 6, the tire by 6:1, the valve by 6:2, and the wheel by 6:3. When you order the assembly identified by reference number 6, you receive all parts identified by reference numbers 6:1, 6:2, and 6:3. However, you may also order any part individually. Reference numbers of this type appear in illustrations and in part lists.

#### Reference Numbers Indicating Quantity

In an illustration, if a reference number indicates more than one part, the reference number has the form nX y. The n represents the quantity of the part, the X is the multiplication symbol, and the y represents the reference number.

For example, in an illustration, the reference number 2X 37 means that two of the parts identified by reference number 37 are indicated.

# Contents

Description	Page	Description	Page
52 Inch Deck Assembly	..... 3	Cylinder and Crankcase Assembly Kawasaki FH580V-FS30	..... 26
Deck Assembly No. 117-5754	..... 4	Piston and Crankshaft Assembly Kawasaki FH580V-FS30	..... 27
Spring Idler Assembly No. 117-0445	..... 5	Valve and Camshaft Assembly Kawasaki FH580V-FS30	..... 28
Idler Adjust Assembly No. 117-0446	..... 6	Lubrication Equipment Assembly Kawasaki FH580V-FS30	..... 29
Spindle Assembly No. 107-8504	..... 7	Cooling Equipment Assembly Kawasaki FH580V-FS30	..... 30
Deflector Assembly No. 114-1910	..... 8	Electric Equipment Assembly Kawasaki FH580V-FS30	..... 31
Wheel Assembly	..... 9	Control Equipment Assembly Kawasaki FH580V-FS30	..... 32
Frame and Muffler Guard Assembly	..... 10	Carburetor Assembly Kawasaki FH580V-FS30	..... 33
Deck Lift Assembly	..... 11	Air Filter and Muffler Assembly Kawasaki FH580V-FS30	..... 34
Upper Control and Tower Assembly	..... 12	Fuel Tank and Valve Assembly Kawasaki FH580V-FS30	..... 35
Lower Control Assembly	..... 13	Starter Assembly Kawasaki FH580V-FS30	..... 36
Hydraulic Assembly	..... 14	Label Assembly Kawasaki FH580V-FS30	..... 37
Hydraulic Motor Assembly No. 114-0549	..... 16	Attachments and Accessories List	..... 38
Hydraulic Pump Assembly No. 117-3597	..... 17		
Hydraulic Belt Drive Assembly	..... 18		
Platform Assembly	..... 19		
Cushion Assembly No. 114-1917	..... 20		
Platform Assembly No. 117-9640	..... 21		
Parking Brake Assembly	..... 22		
Electrical Assembly	..... 23		
Fuel Tank Assembly	..... 24		
Engine Assembly	..... 25		

## Part Description Abbreviations

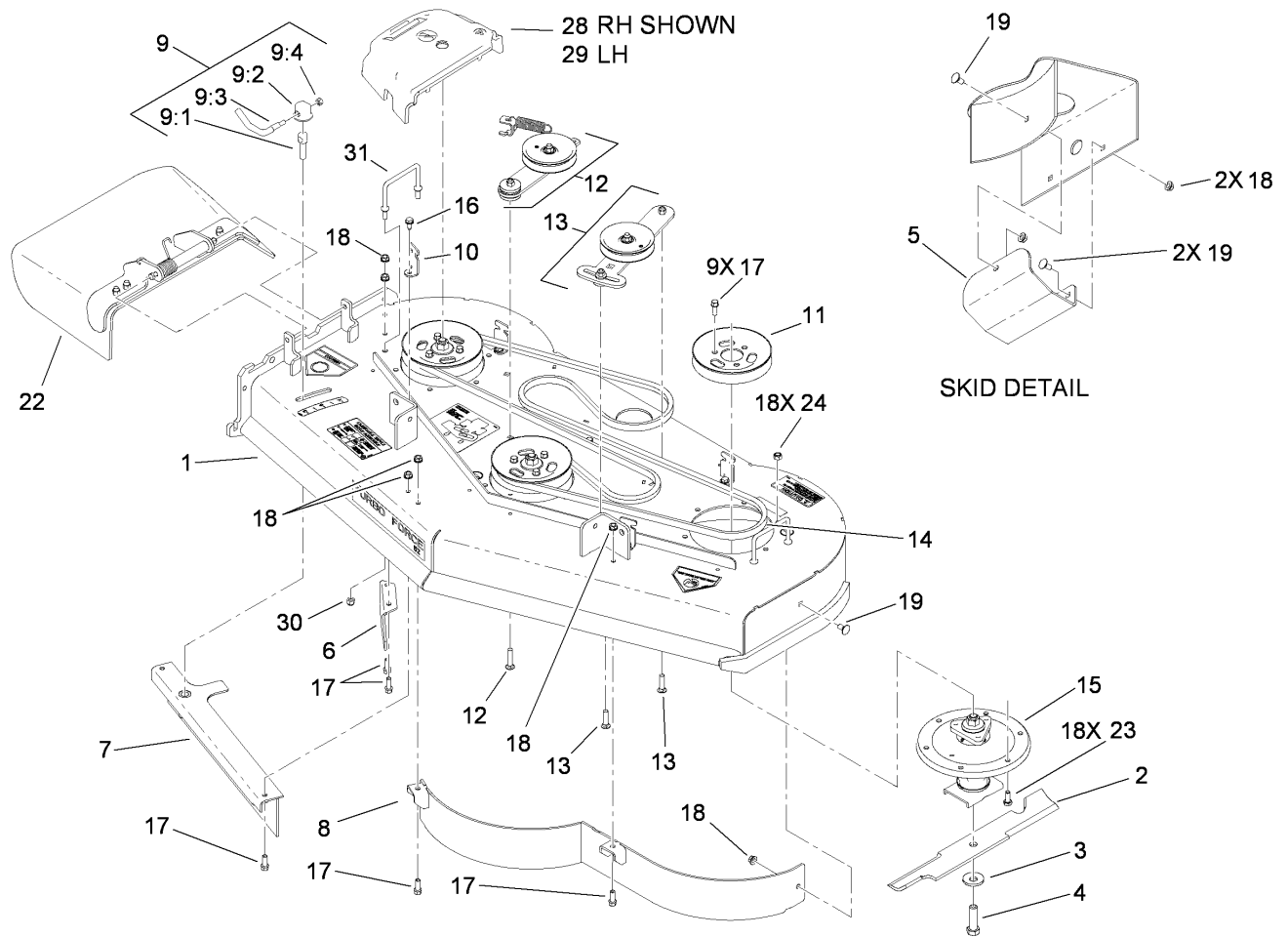
Part descriptions in this catalog may include the following abbreviations.

AR. .... as required	HWHTF. .... hex washer head thread forming
ASM. .... assembly	HYD. .... hydraulic
BBC. .... blade brake clutch	LH. .... left hand
CARR. .... carriage	NI. .... nylon insert
CCW. .... counter clock wise	NPTF. .... national pipe thread fine
CW. .... clockwise	PFH. .... phillips flat head
DEG. .... degrees	PPH. .... phillips pan head
ECM. .... electronic control module	PPHTF. .... phillips pan head thread forming
EXT. .... external	PRH. .... phillips round head
FH. .... flat head	PTH. .... phillips truss head
GA. .... gauge	PTO. .... power-take-off
HD. .... heavy-duty	RH. .... right hand
HF. .... hex flange	ROPS. .... roll-over protection system
HH. .... hex head	SFH. .... slotted fillister head
HHF. .... hex head flange	SHH. .... slotted hex head
HHFTF. .... hex head flange thread forming	SHWH. .... slotted hex washer head
HJ. .... hex jam	SPH. .... slotted pan head
HLH. .... hex lag head	SQH. .... square head
HOC. .... height-of-cut	SRH. .... slotted round head
HSBH. .... hex socket button head	STD. .... standard
HSFH. .... hex socket flat head	TAP. .... self tapping
HSH. .... hex socket head	TTH. .... torx truss head
HWH. .... hex washer head	

## Footnotes

❶ Not serviced separately

❷ Obtain parts from [www.kawpowerepc.com](http://www.kawpowerepc.com)



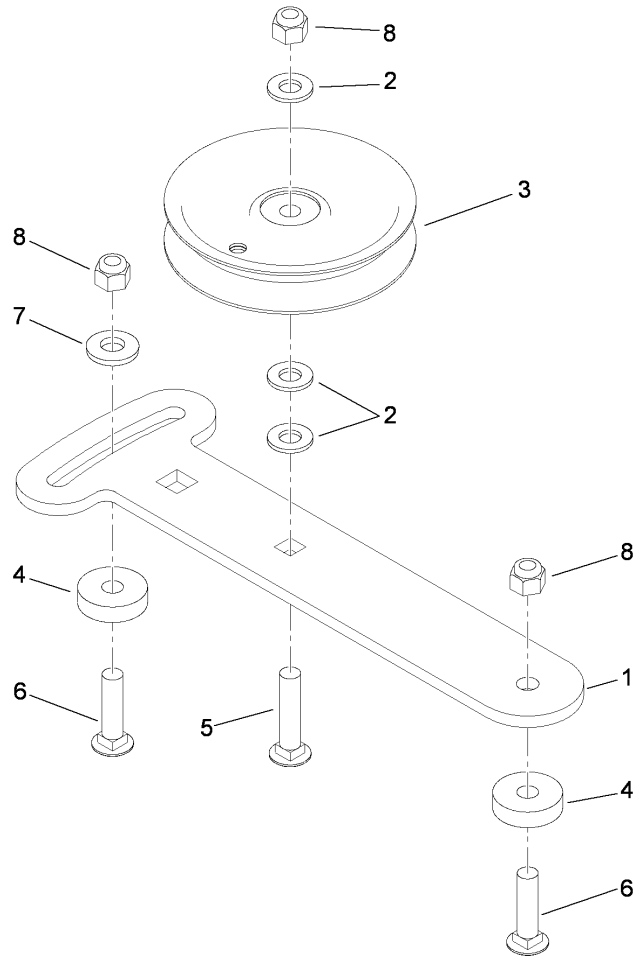
## 52 Inch Deck Assembly

Ref	Part No.	Qty.	Description
1	117-5754	1	Deck ASM
2	105-7781-03	3	Blade-18 Inch (Hi Flow)
3	103-0865	3	Washer-Blade Bolt, Heavy
4	103-0862	3	Screw-Cap
5	114-1908-01	1	Skid
6	106-3216-01	1	Baffle-Discharge
7	105-7755-01	1	Baffle ASM
8	114-1979-01	1	52 Inch Baffle ASM
9	107-1664	1	Lever ASM
9:1	106-3239	1	Screw-Lock
9:2	107-1644	1	Cap-Lock
9:3	106-3241	1	Lever-Lock
9:4	3296-29	1	Nut-Lock, NI
10	117-5758-03	4	Bracket-Cover
11	105-7735	3	Pulley
12	117-0445	1	Spring Idler ASM
13	117-0446	1	Idler Adjust ASM
14	114-0454	1	Belt-V
15	107-8504	3	Spindle ASM
16	32144-70	4	Screw-HWHTF
17	92-1624	14	Screw-HWH
18	3290-357	9	Nut-HHF, Whiz
19	3231-1	4	Screw-CARR
22	114-1910	1	Deflector ASM

Ref	Part No.	Qty.	Description
23	33115-025	18	Screw-HH
24	33025-00	18	Nut-Lock
28	109-6935	1	Cover-Belt, RH
29	109-6936	1	Cover-Belt, LH
30	3296-39	4	Nut-Lock, NI
31	109-6982	2	Wireform-Cover





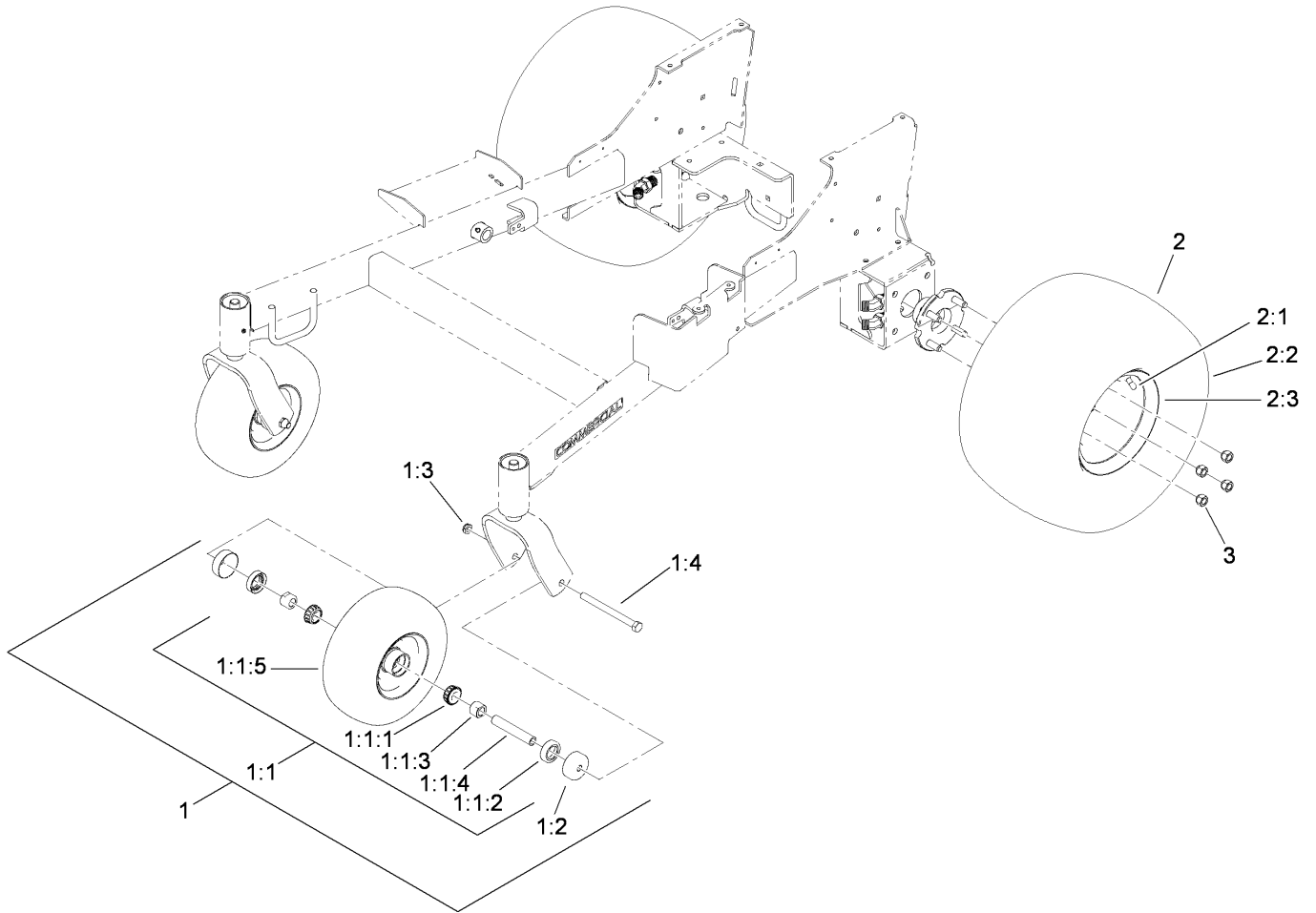


### Idler Adjust Assembly No. 117-0446

Ref	Part No.	Qty.	Description
1	114-1991	1	Plate-Idler
2	3256-24	3	Washer-Flat
3	93-1622	1	Pulley-Idler
4	105-7788	2	Spacer
5	3231-5	1	Screw-CARR
6	3231-4	2	Screw-CARR
7	98-5975	1	Washer-Belleville
8	3296-39	3	Nut-Lock, NI

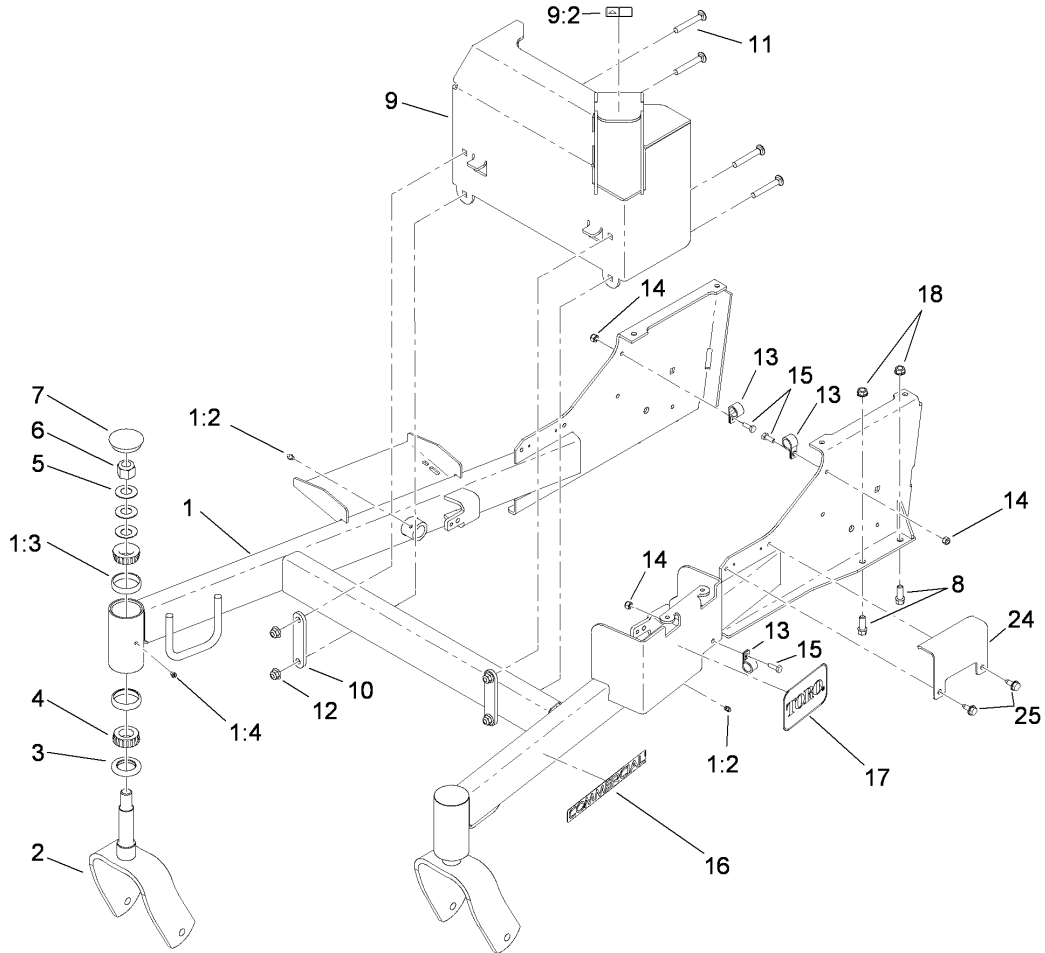






## Wheel Assembly

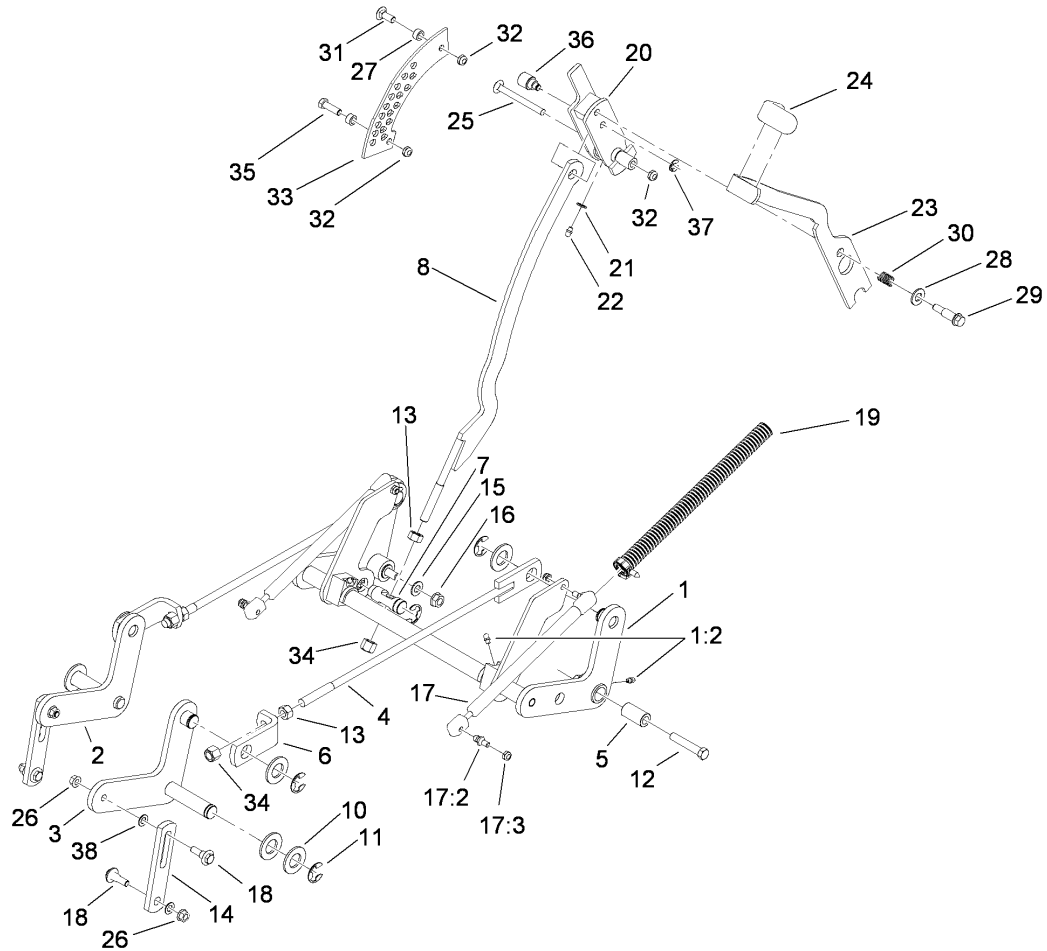
Ref	Part No.	Qty.	Description				
1	112-3810	2	Wheel And Bearing ASM				
1:1		1	Wheel Bearing ASM				
1:1:1	1-633585	2	Bearing-Cone, Taper				
1:1:2	103-0063	2	Seal-Caster				
1:1:3	103-3051	2	Spacer-Nut				
1:1:4	103-3157	1	Axle-Caster				
1:1:5	110-9965	1	Wheel And Tire ASM				
1:2	103-2768	2	Guard-Seal				
1:3	3296-45	1	Nut-Lock, NI				
1:4	325-20	1	Screw-HH				
2	117-0429	2	Wheel ASM				
2:1	232-27	1	Stem-Valve				
2:2	117-0428	1	Tire				
2:3	106-8133	1	Rim-8 Inch				
3	242-50	8	Nut-Lug				



## Frame and Muffler Guard Assembly

Ref	Part No.	Qty.	Description
1	117-9630	1	Front Frame ASM
1:2	302-5	2	Fitting-Grease
1:3	1-543508	4	Cup-Bearing
1:4	1-811010	2	Plug
2	103-8618-01	2	Fork-Caster
3	1-543511	2	Seal-Grease
4	1-543509	4	Bearing-Roller, Tapered
5	1-633508	6	Washer-Bellville
6	3296-51	2	Nut-Lock, NI
7	103-4882	2	Cap-Grease
8	92-1624	4	Screw-HWH
9	117-0434	1	Muffler Guard ASM
9:2	106-5517	1	Decal-Surface, Hot
10	117-0427-01	2	Bracket-Mounting, Guard
11	3231-31	4	Screw-CARR
12	104-8301	4	Nut-Flange, NI
13	2412-87	3	Clamp-Cable
14	3296-42	3	Nut-Lock, NI
15	321-4	3	Screw-HH
16	117-3591	2	Decal-Commercial
17	68-3640	1	Decal
18	3290-357	4	Nut-HHF, Whiz
24	117-2620-01	2	Support-Hose
25	32144-70	4	Screw-HWHTF

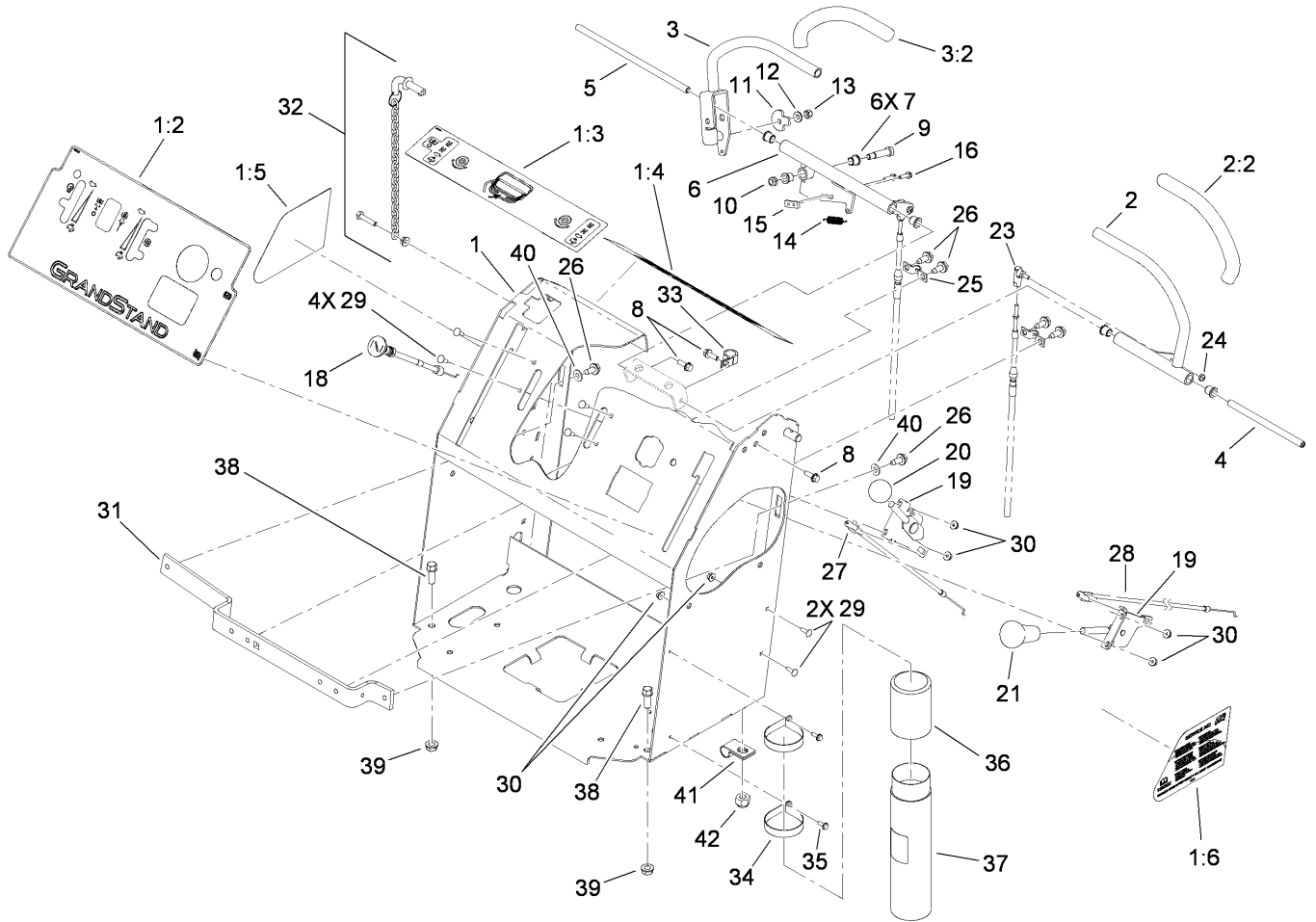
--	--	--	--



## Deck Lift Assembly

Ref	Part No.	Qty.	Description
1	117-0505	1	Lift ASM
1:2	302-5	4	Fitting-Grease
2	117-0489-01	1	RH Lift ASM
3	117-0488-01	1	LH Lift ASM
4	114-5268	2	Lift Rod ASM
5	117-0498	2	Spacer
6	117-0513	2	Bracket-Rod, Lift
7	114-5274	1	Pin-HOC
8	117-3611	1	Bar-Lift
10	3256-29	8	Washer-Flat
11	32151-103	7	Ring-Retaining, EXT
12	324-10	2	Screw-HH
13	3217-9	3	Nut-HH
14	117-0519	2	Link-Lift
15	3256-25	2	Washer-Flat
16	3296-48	2	Nut-Lock, NI
17	117-0506	2	Gas Spring ASM
17:2	88-6770	2	Stud-Ball
17:3	3296-47	2	Nut-Lock, NI
18	109-9840	4	Screw-Shoulder, HHF
19	117-3575	2	Cover-Spring
20	114-3512	1	HOC Handle ASM
21	3256-22	1	Washer-Flat
22	302-5	1	Fitting-Grease

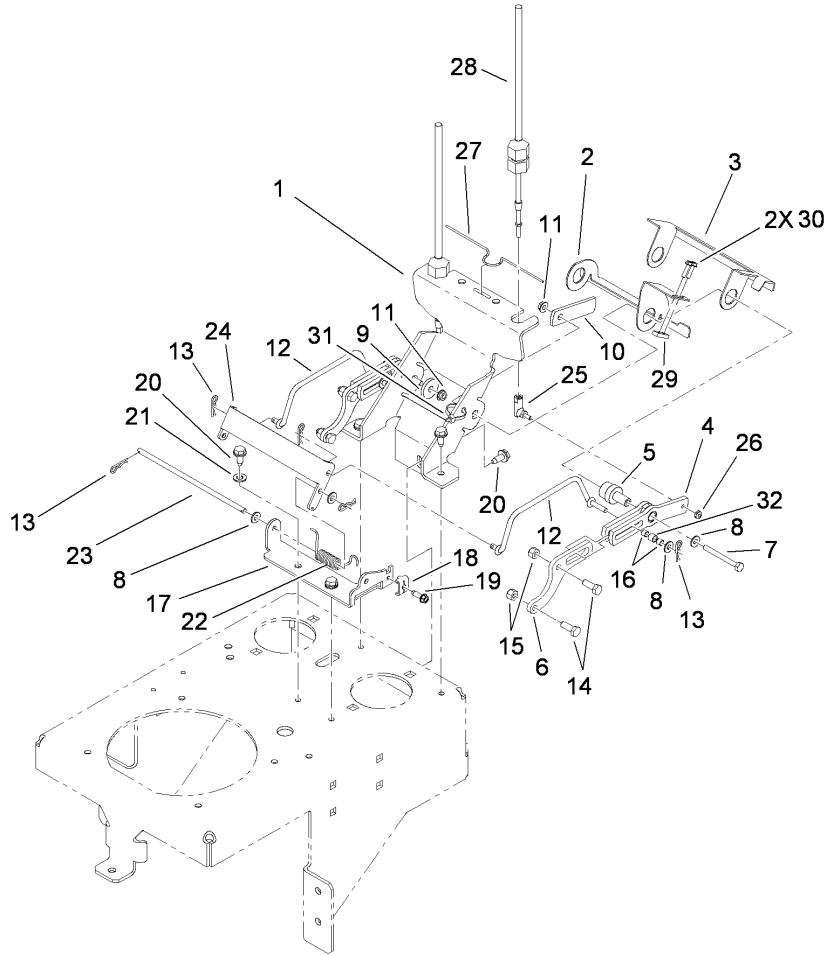
Ref	Part No.	Qty.	Description
23	114-5305-03	1	Lever-HOC
24	1-633268	1	Grip-Lever, Brake
25	3231-24	1	Screw-CARR
26	32128-21	4	Nut-HF
27	111044	2	Spacer
28	3256-26	1	Washer-Flat
29	66-0561	1	Screw-Shoulder
30	65-9940	1	Spring
31	3231-22	1	Screw-CARR
32	3296-59	3	Nut-Lock, NI
33	114-5307	1	Bracket-HOC
34	3296-23	3	Nut-Lock, NI
35	323-7	1	Screw-HH
36	117-3645	1	Hub-Pivot
37	32151-47	1	Ring-Retaining
38	40-1940	4	Washer



## Upper Control and Tower Assembly

Ref	Part No.	Qty.	Description
1	114-1922	1	Control Tower ASM
1:2	117-0453	1	Decal-Panel, Control
1:3	117-0454	1	Decal-Opc
1:4	117-3626	1	Decal-Warning
1:5	117-0456	1	Decal-HOC
1:6	117-0485	1	Decal-Service Aid
2	114-3593	1	LH Lever ASM
2:2	114-0241	1	Grip-Lever
3	114-3594	1	RH Lever ASM
3:2	114-0241	1	Grip-Lever
4	114-0260	1	Shaft-Pivot
5	114-1904	1	Shaft-Pivot, Motion Control
6	114-5302	1	Motion Control ASM
7	103-9928	6	Bearing
8	3234-4	3	Screw-HHF
9	114-0239	1	Screw-HSH
10	3296-47	1	Nut-Lock, NI
11	114-0268	1	Cam-Lever, Handle Stop
12	3256-22	1	Washer-Flat
13	3296-42	1	Nut-Lock, NI
14	114-0249	1	Spring-Extension
15	1-633181	1	Plate-Tapped
16	32105-13	2	Screw-HWH
18	106-9962	1	Control-Choke, Push / Pull

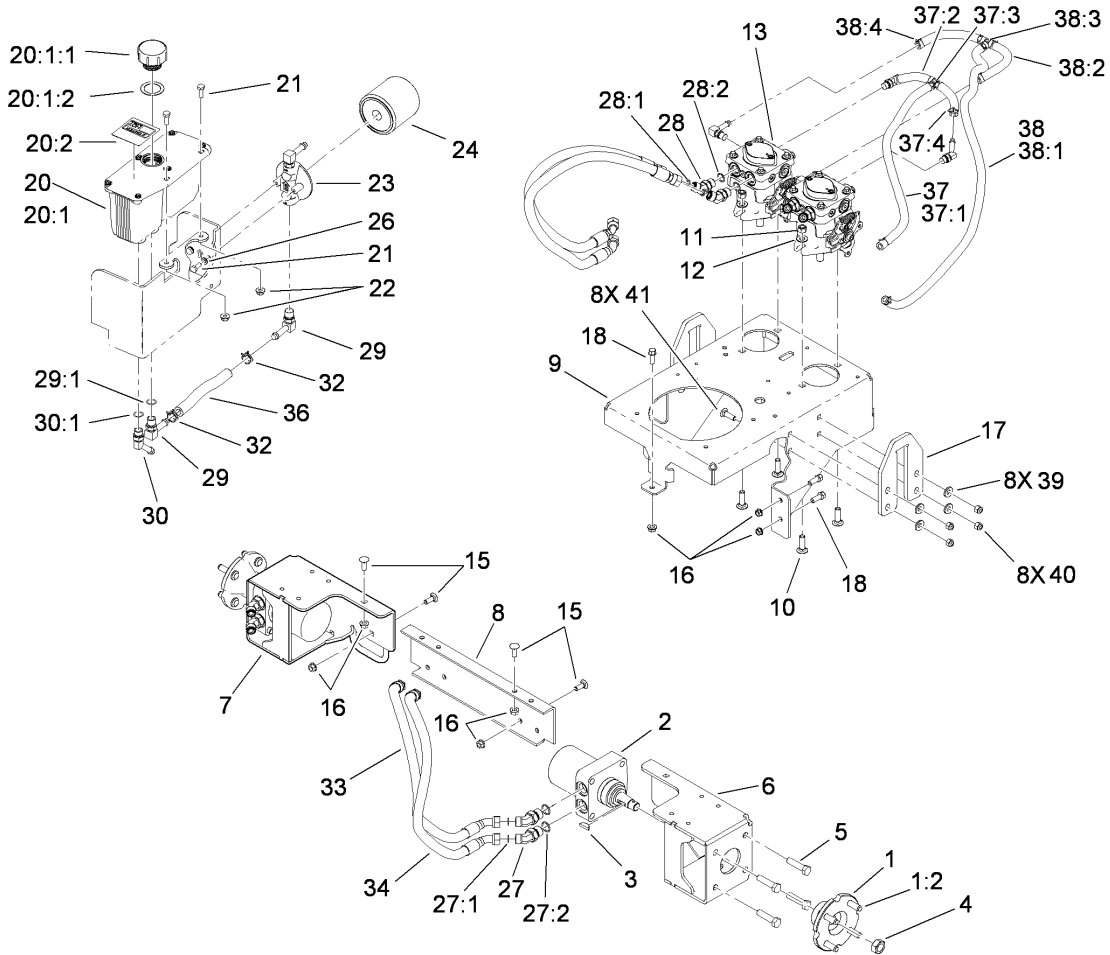
Ref	Part No.	Qty.	Description
19	110-5547	2	Control Lever ASM
20	1-603175	1	Knob-Ball
21	99-7981	1	Knob-Grip, Soft
23	2411-38	2	Joint-Ball
24	3296-27	2	Nut-Lock, NI
25	93-2279	2	Clamp-Cable
26	32144-70	6	Screw-HWHTF
27	114-1966	1	Cable-Control
28	114-1950	1	Cable-Speed
29	1-807533	6	Bolt-CARR
30	3290-148	6	Nut-HF
31	114-1921-01	1	Bar-Cable
32	114-0409	1	HOC Pin ASM
33	2412-87	1	Clamp-Cable
34	2412-120	2	R-Clamp
35	32144-1	2	Screw-Taptite
36	104-7048	1	Cap-Housing
37	104-7050	1	Tube-Manual
38	92-1624	4	Screw-HWH
39	3290-357	3	Nut-HHF, Whiz
40	3256-23	2	Washer-Flat
41	2412-138	1	R-Clamp
42	3296-39	1	Nut-Lock, NI



## Lower Control Assembly

Ref	Part No.	Qty.	Description
1	114-5304-01	1	Mount-Linkage, Drive
2	114-1993	1	Lever-Switch
3	114-1999	1	Lever-Switch
4	114-1956	2	Control Fork ASM
5	114-1955	2	Hub-Shoulder
6	114-3547	2	Arm-Control
7	321-15	2	Screw-HH
8	3256-22	8	Washer-Flat
9	65-8270	1	Washer
10	114-5155-03	1	Arm-Switch, Stop
11	32128-14	2	Nut-Hex, Flange
12	114-5295	2	Rod-Link, Shifter
13	3290-307	6	Pin-Hair
14	322-4	4	Screw-HH
15	3296-29	4	Nut-Lock, NI
16	114-3534	4	Roller
17	114-1912-03	1	Bracket-Shifter
18	106-7297	1	Clamp-Cable
19	49-2040	1	Screw-HWHTF
20	32144-70	5	Screw-HWHTF
21	3256-23	2	Washer-Flat
22	106-2584	1	Spring-Torsion
23	114-1978	1	Pin-Hinge
24	114-5347	1	Arm-Dual, Shifter

Ref	Part No.	Qty.	Description
25	2411-38	2	Joint-Ball
26	3296-27	2	Nut-Lock, NI
27	114-0433	1	Clip-Spring
28	117-0474	2	Cable-Control, Traction
29	1-633181	1	Plate-Tapped
30	32105-13	2	Screw-HWH
31	3290-378	1	Tie-Cable
32	114-3576	2	Bushing-Guide, Drill



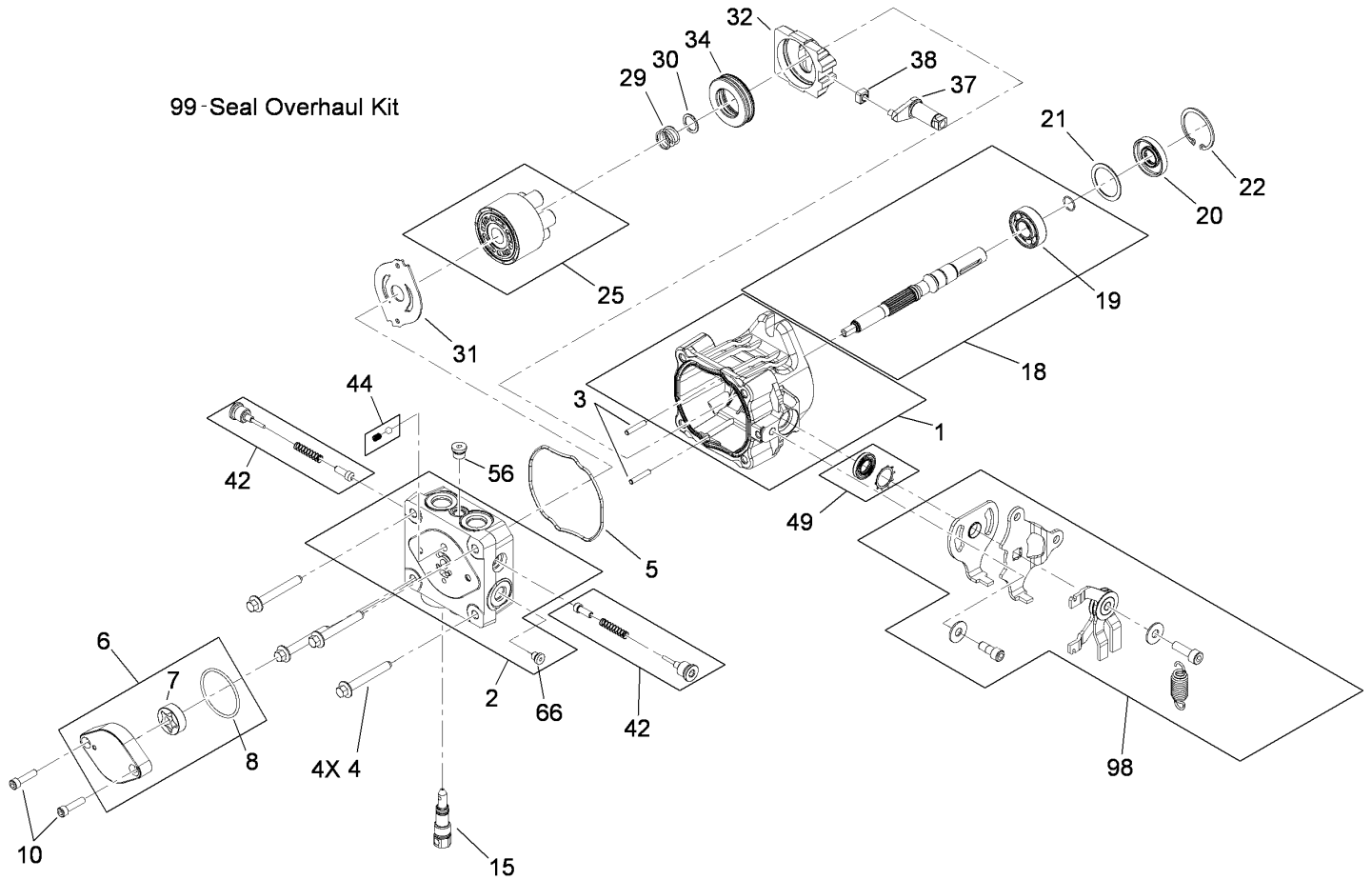
## Hydraulic Assembly

Ref	Part No.	Qty.	Description
1	105-0800	2	Wheel Hub / Stud ASM
1:2	10-6830	4	Stud-Type, Drive
2	114-0549	2	Motor-Wheel
3	3257-8	2	Key-Woodruff
4	85-7310	2	Nut-Motor, Wheel
5	325-8	8	Screw-HH
6	117-3572-01	1	LH Motor Mount ASM
7	117-3571-01	1	RH Motor Mount ASM
8	114-5168-01	1	Mount-Motor, Center
9	114-5166-01	1	Base-Engine
10	3232-3	4	Screw-CARR
11	3296-48	4	Nut-Lock, NI
12	3256-25	4	Washer-Flat
13	117-3597	2	Pump-Hydraulic
15	3231-22	4	Screw-CARR
16	3290-357	9	Nut-HHF, Whiz
17	114-5345-01	2	Plate-Lift
18	92-1624	5	Screw-HWH
20	107-8433	1	HYD Reservoir ASM
●20:1		1	Reservoir-HYD
20:1:1	103-1948	1	Cap-Reservoir, HYD
20:1:2	103-1949	1	Gasket-Cap
20:2	115-4212	1	Decal-Warning
21	321-4	4	Screw-HH

Ref	Part No.	Qty.	Description
22	32128-33	2	Nut-HF
23	104-7836	1	Head-Filter
24	1-633750	1	Filter-Oil, HYD
26	3256-22	2	Washer-Flat
27	340-89	4	Fitting-HYD, 45 DEG
27:1	237-30	1	O-Ring
27:2	237-80	1	O-Ring
28	340-101	4	Fitting-HYD, 45 DEG
28:1	237-30	1	O-Ring
28:2	237-79	1	O-Ring
29	100-4887	5	Fitting-Barb
29:1	237-42	1	O-Ring
30	103-1807	3	Elbow-45 DEG
30:1	237-42	1	O-Ring
32	103-1988	2	Clamp-Hose
33	117-0442	2	HYD Hose ASM
34	117-0449	2	HYD Hose ASM
36	117-0459	1	Hose-Hydraulic
37	117-3569	1	Filter Hose ASM
37:1	117-0460	1	Hose-Hydraulic
37:2	117-0458	2	Hose-Hydraulic
37:3	1-603721	2	Fitting-Tee, Hose
37:4	103-1988	6	Clamp-Hose
38	117-3570	1	Tank Hose ASM



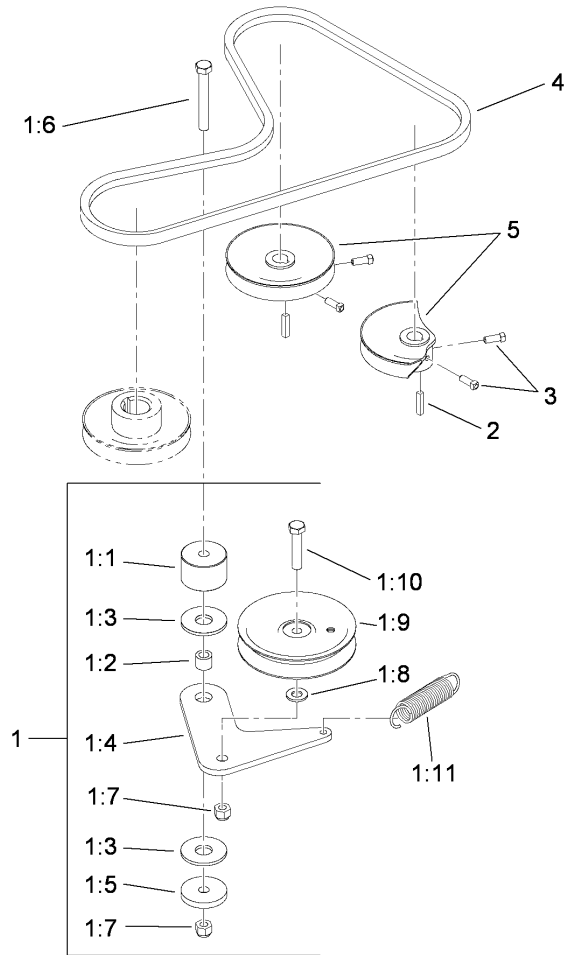




## Hydraulic Pump Assembly No. 117-3597

Ref	Part No.	Qty.	Description
1	115-4464	1	Housing Kit
2	106-8752	1	End Cap Kit (W/Poppets)
3	106-8753	2	Pin-Headless, Straight
4	106-8754	4	Bolt-HF
5	106-8755	1	O-Ring
6	106-8756	1	Charge Pump Kit
7	104-2122	1	Gerotor ASM
8	106-8757	1	O-Ring
10	104-2111	2	Capscrew
15	106-8759	1	Bypass Valve Kit
18	103-2664	1	Input Shaft Kit
19	104-5311	1	Bearing-Ball
20	104-5310	1	Seal-Lip
21	104-5308	1	Spacer
22	104-5309	1	Ring-Retaining
25	103-2666	1	Cylinder Block Kit
29	94-1936	1	Spring-Block
30	94-1937	1	Washer-Thrust, Block
31	105-6185	1	Plate-Valve
32	94-1907	1	Swashplate-Variable
34	94-6922	1	Bearing-Thrust
37	115-4458	1	Arm-Trunnion, Tapered Square
38	94-1910	1	Guide-Slot
42	98-3252	2	Valve-Check (W/Poppet)

Ref	Part No.	Qty.	Description
44	106-8760	1	Charge Relief Valve Kit
49	114-8155	1	Trunnion Seal Kit
56	106-8762	1	Plug-HSH
66	106-8763	1	Plug-HSH
98	117-3629	1	Kit-Return
99	105-6184	1	Seal Overhaul Kit

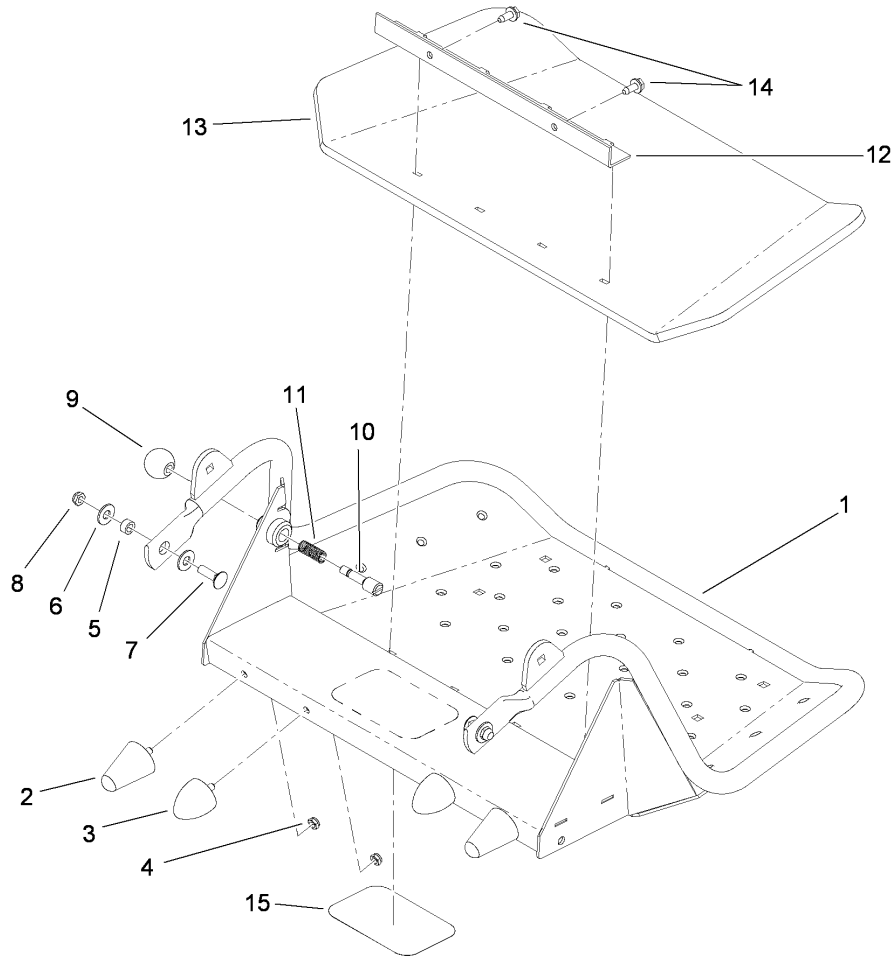


## Hydraulic Belt Drive Assembly

Ref	Part No.	Qty.	Description
1		1	Pump Idler Assembly
1:1	117-3568	1	Hub-Idler
1:2	1-413088	1	Bushing-Lever, Lift
1:3	114-0463	2	Washer-Friction, Composite
1:4	117-3622	1	Plate-Idler
1:5	110-9981	1	Washer-Plain
1:6	323-13	1	Screw-HH
1:7	3296-39	2	Nut-Lock, NI
1:8	3256-24	1	Washer-Flat
1:9	93-1622	1	Pulley-Idler
1:10	323-9	1	Screw-HH
1:11	108-4056	1	Spring-Extension
2	1-807272	2	Key
3	3241-5	4	Screw-Set
4	114567	1	Belt-V Lower PTO
5	105-5648	2	Pulley-Pump

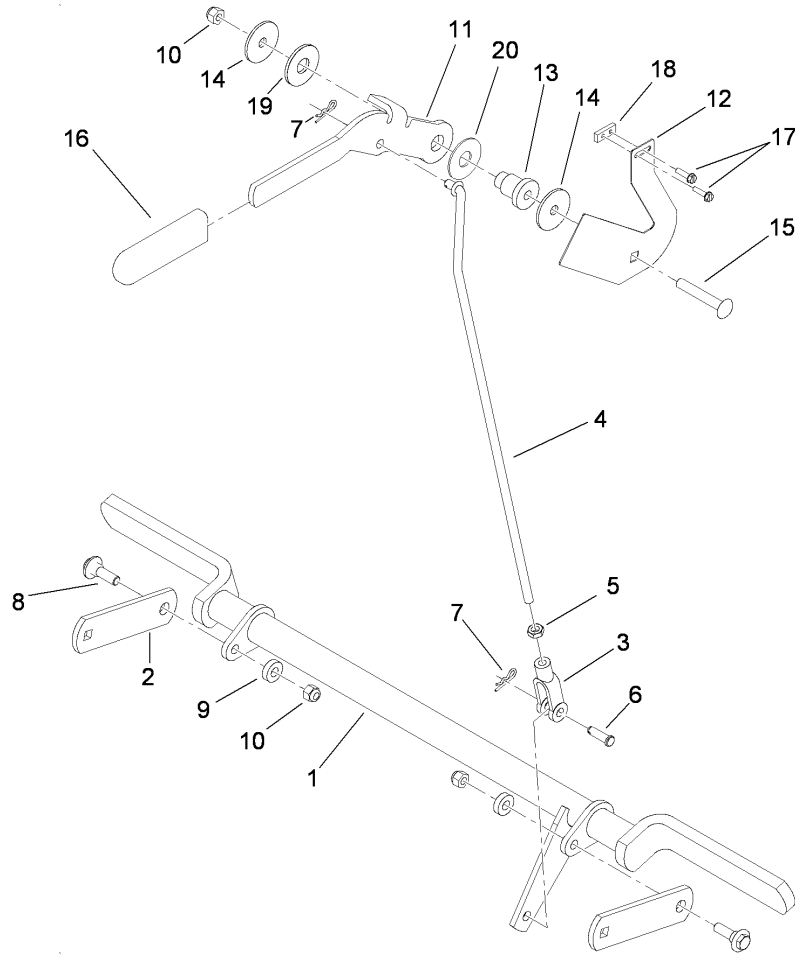






### Platform Assembly No. 117-9640

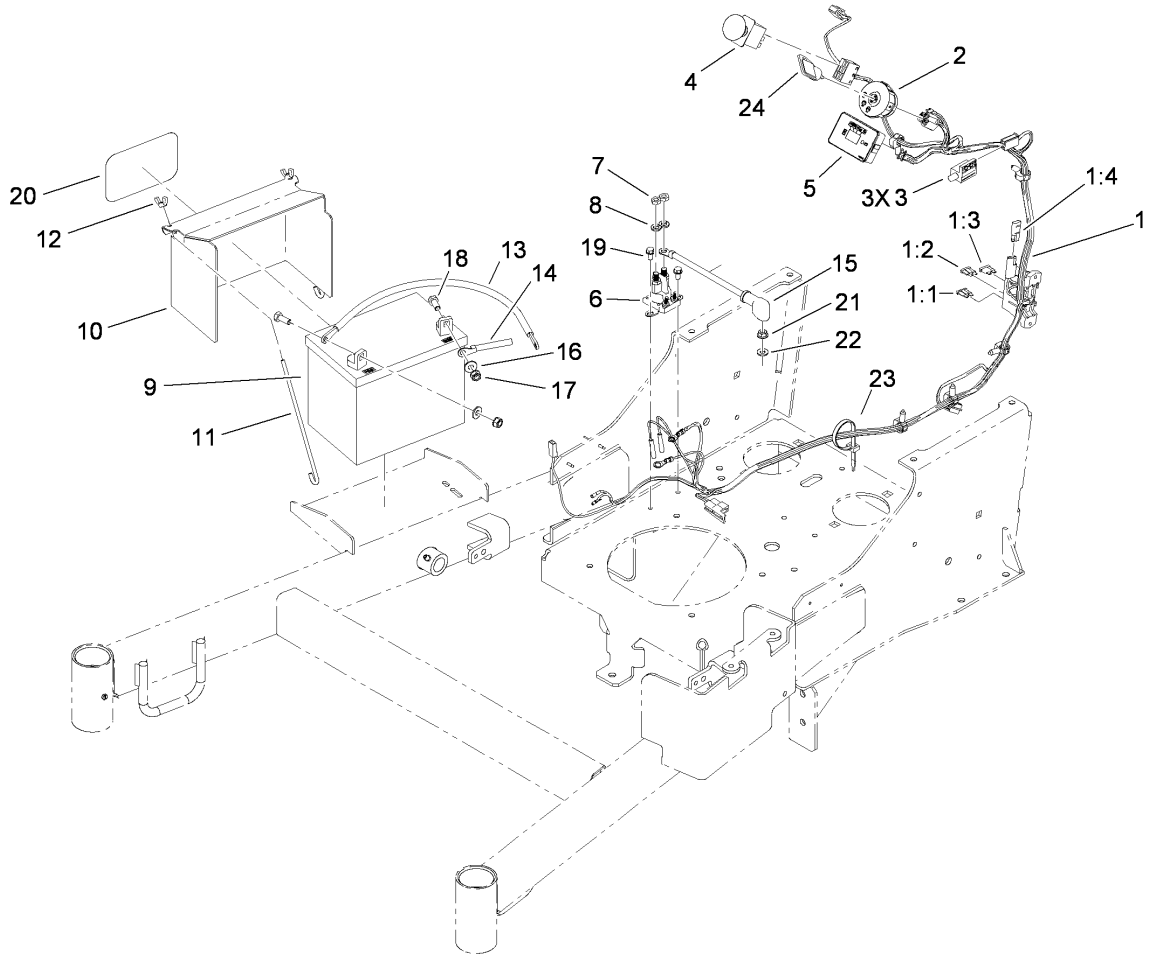
Ref	Part No.	Qty.	Description				
1	117-9641-01	1	Platform ASM				
2	114-1925	2	Bumper-Rubber				
3	114-1926	2	Bumper-Rubber				
4	3296-47	4	Nut-Lock, NI				
5	111044	2	Spacer				
6	3256-4	4	Washer-Flat				
7	3231-25	2	Screw-CARR				
8	3296-59	2	Nut-Lock, NI				
9	1-603175	1	Knob-Ball				
10	114-5288	1	Pin-Latch				
11	114-5348	1	Spring				
12	114-1920-03	1	Clamp-Shield				
13	114-5349	1	Mat-Foot				
14	32144-70	2	Screw-HWHTF				
15	68-3640	1	Decal				



## Parking Brake Assembly

Ref	Part No.	Qty.	Description
1	114-5187-03	1	Brake ASM
2	114-5186-01	2	Support-Brake
3	1-633131	1	Yoke-Linkage, Brake
4	114-5196	1	Rod-Brake
5	3220-3	1	Nut-HJ
6	283-2	1	Pin-Clevis
7	3290-307	2	Pin-Hair
8	614672	2	Bolt-Shoulder
9	5-0652	2	Spacer
10	3296-39	3	Nut-Lock, NI
11	117-5759-03	1	Lever-Brake
12	117-0452-03	1	Plate-Switch, Brake
13	106-3214	1	Mount-Pulley
14	63-7400	2	Washer-Rebound
15	3231-44	1	Screw-CARR
16	1-633268	1	Grip-Lever, Brake
17	32105-13	2	Screw-HWH
18	1-633181	1	Plate-Tapped
19	114-0463	1	Washer-Friction, Composite
20	3256-7	1	Washer-Flat

--	--	--	--

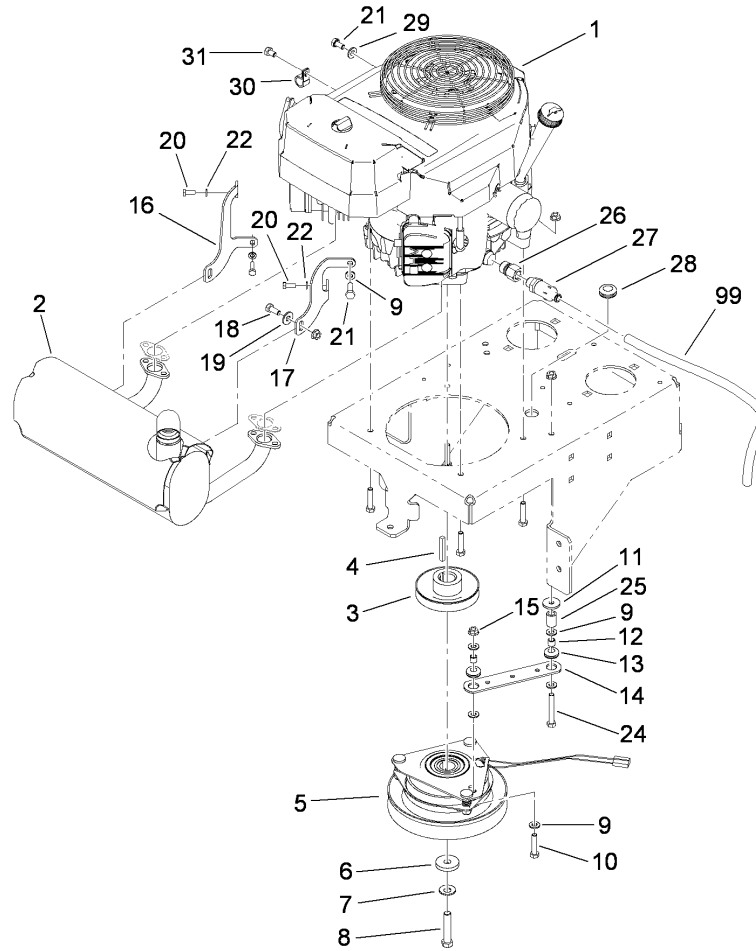


## Electrical Assembly

Ref	Part No.	Qty.	Description
1	114-3536	1	Harness-Wire
1:1	109103	1	Fuse-30 Amp
1:2	109102	1	Fuse-25 Amp
1:3	218-578	1	Fuse-10 Amp
1:4	116-0053	1	Cap-Plug
2	110-6764	1	Switch-Ignition
3	1-513152	3	Switch-Closed, Normally
4	114-0279	1	Switch-PTO
5	115-4180	1	Module-Meter, Hour
6	117-1197	1	Solenoid
7	3220-2	2	Nut-Jam
8	3253-4	2	Washer-Lock
9	104-2491	1	Battery
10	117-0543-01	1	Cover-Battery
11	1-633651	2	Bolt-Holddown
12	1-543792	2	Wingnut
13	114-9404	1	Cable-Battery, Positive
14	105-0836	1	Cable-Battery, Black
15	106-8268	1	Cable-Battery, Red
16	3256-23	2	Washer-Flat
17	109-5715	2	Nut-HHF, Smooth
18	322-3	2	Screw-HH
19	32144-4	2	Screw-HWH
20	68-3640	1	Decal

Ref	Part No.	Qty.	Description
21	3256-22	1	Washer-Flat
22	32128-33	1	Nut-HF
23	3290-378	1	Tie-Cable
24	63-8360	1	Key-Ignition

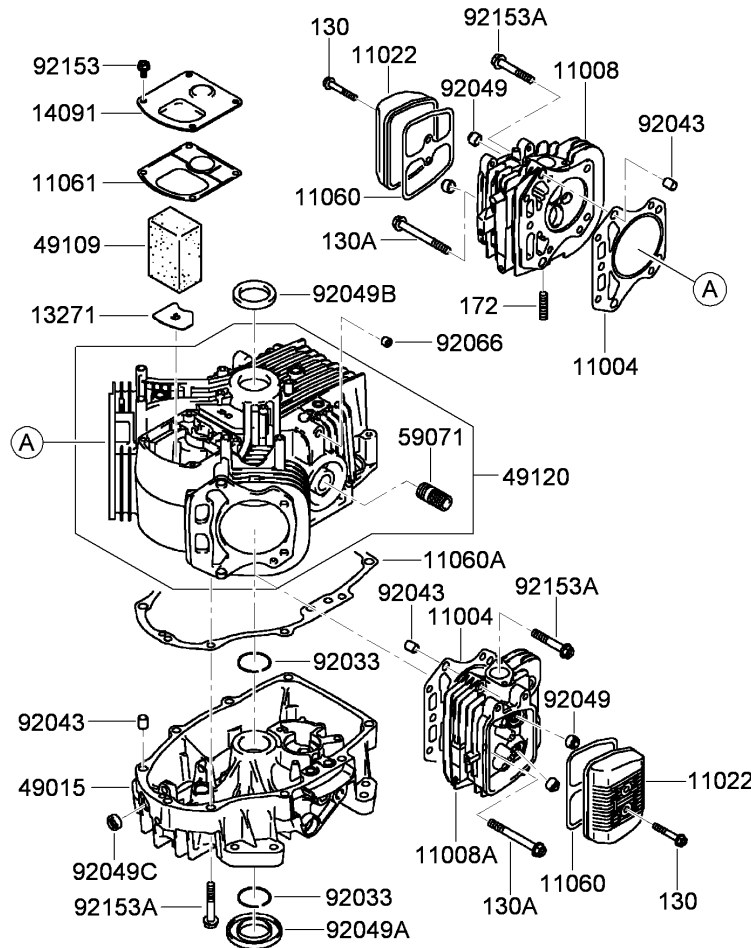




## Engine Assembly

Ref	Part No.	Qty.	Description
1	114-3590	1	Engine-Kawasaki, FH580V-Fs30
2	117-0430	1	Muffler-Engine
3	112-7067	1	Pulley
4	608006	1	Key-Square
5	105-2635	1	Clutch / Brake
6	107-4136	1	Washer
7	1-603610	1	Washer-Spring
8	3212-9	1	Screw-HH
9	3256-23	6	Washer-Flat
10	322-7	5	Screw-HH
11	1-613235	1	Washer
12	1-633545	2	Spacer
13	1-633630	2	Grommet-Brake
14	1-633543-03	1	Strap-Clutch, Brake
15	32128-20	8	Nut-HF
16	109-3476-03	1	Bracket-Muffler, LH
17	109-3477-03	1	Bracket-Muffler, RH
18	322-3	2	Screw-HH
19	3256-3	2	Washer-Flat
20	33113-016	3	Screw-HH
21	33114-016	2	Screw-HH
22	3256-22	3	Washer-Flat
24	322-11	1	Screw-HH
25	104-6373	1	Tube-Retainer

Ref	Part No.	Qty.	Description
26	103-1966	1	Adapter
27	92-6877	1	Valve-Drain, Oil
28	112-7069	1	Grommet
29	33094-00	1	Washer-Plain
30	2412-87	1	Clamp-Cable
31	46-8090	1	Screw-Plastite
99	103-1964	1	Hose-Drain, Oil

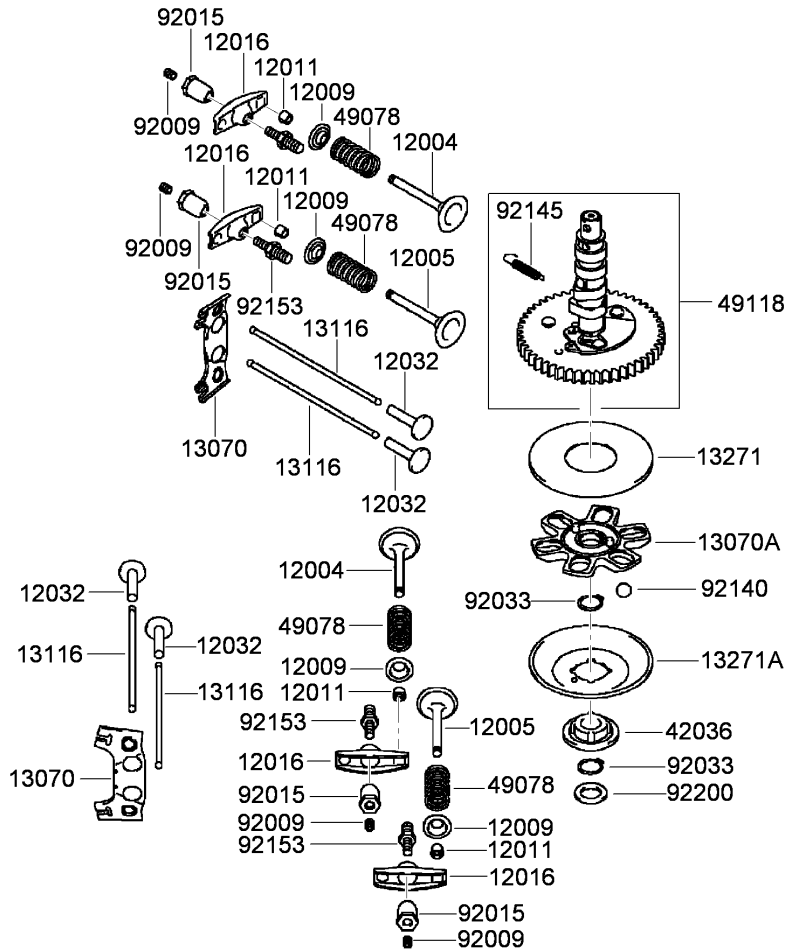


## Cylinder and Crankcase Assembly Kawasaki FH580V-FS30

Ref	Part No.	Qty.	Description
● 130	130AA0640	4	Bolt-Flanged (6X40)
● 130A	130CA0875	2	Bolt-Flanged (8X75)
● 172	172BA0818	4	Bolt-Stud (8X18)
● 11004	11004-7016	2	Gasket-Head
● 11008	11008-6043	1	Head-Cylinder, No. 1
● 11008A	11008-7020	1	Head-Cylinder, No. 2
● 11022	11022-7018	2	Case-Rocker
● 11060	11060-7001	2	Gasket-Case, Rocker
● 11060A	11060-7008	1	Gasket-Cover, Crankcase
● 11061	11061-7001	1	Gasket-Breather
● 13271	13271-7016	1	Plate
● 14091	14091-7006	1	Cover
● 49015	49015-6253	1	Cover-Crankcase
● 49109	49109-7002	1	Element-Breather
● 49120	49120-7113	1	Crankcase
● 59071	59071-2079	1	Joint
● 92033	92033-7003	2	Ring-Snap
● 92043	92043-7001	6	Pin
● 92049	92049-7001	4	Seal-Oil, R V C2 (6X11X10.2)
● 92049A	92049-7015	1	Seal-Oil, S D (35X62X8 L HSH)
● 92049B	92049-7016	1	Seal-Oil, S D (35X48X8 R HSH)
● 92049C	92049-7019	1	Seal-Oil, S O (8X14X5 HSH)
● 92066	92066-7026	1	Plug
● 92153	92153-7043	4	Bolt (6X12)

Ref	Part No.	Qty.	Description
● 92153A	92153-7054	17	Bolt (8X50)



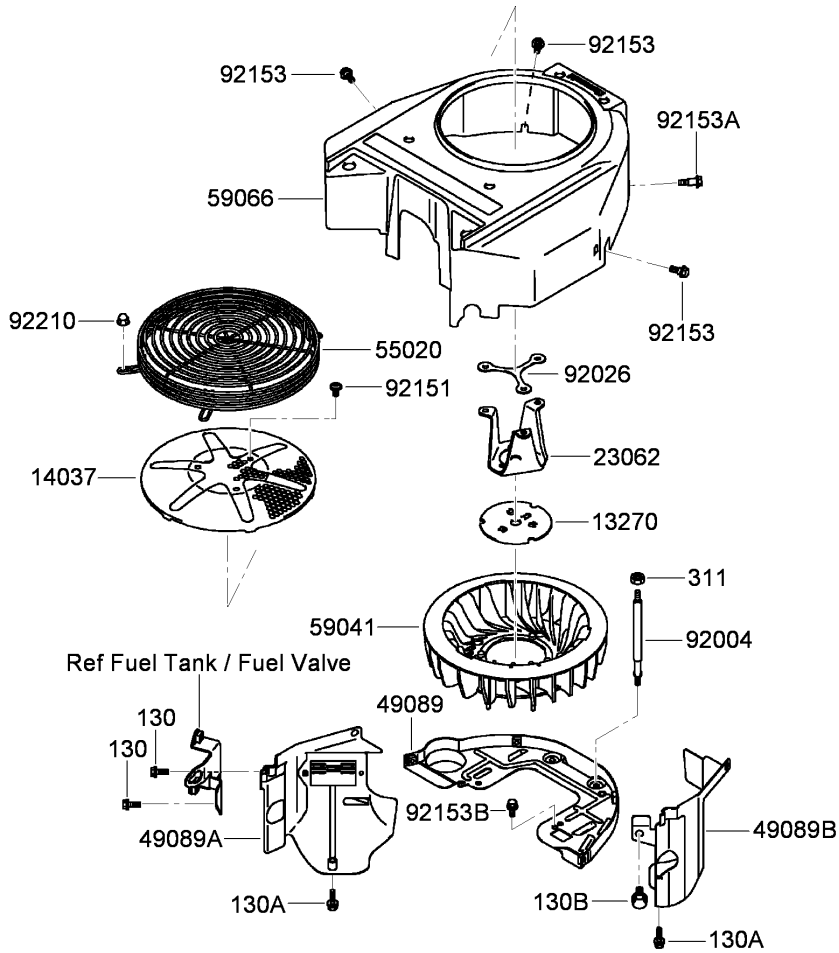


## Valve and Camshaft Assembly Kawasaki FH580V-FS30

Ref	Part No.	Qty.	Description
② 12004	12004-7003	2	Valve-Intake
② 12005	12005-7003	2	Valve-Exhaust
④ 12009	12009-7001	4	Retainer-Spring, Valve
⑧ 12011	12011-2056	8	Collet
④ 12016	12016-7008	4	Arm-Rocker
④ 12032	12032-7001	4	Tappet
② 13070	13070-7001	2	Guide
① 13070A	13070-7004	1	Guide
④ 13116	13116-2057	4	Rod-Push
① 13271	13271-7007	1	Plate
① 13271A	13271-7021	1	Plate-Governor
① 42036	42036-7010	1	Sleeve
④ 49078	49078-7001	4	Spring-Valve, Engine
① 49118	49118-7004	1	Camshaft
④ 92009	92009-2341	4	Screw
④ 92015	92015-2253	4	Nut
② 92033	92033-7001	2	Ring-Snap
⑥ 92140	92140-7005	6	Ball
① 92145	92145-7001	1	Spring
④ 92153	92153-7019	4	Bolt
① 92200	92200-7001	1	Washer

--	--	--	--

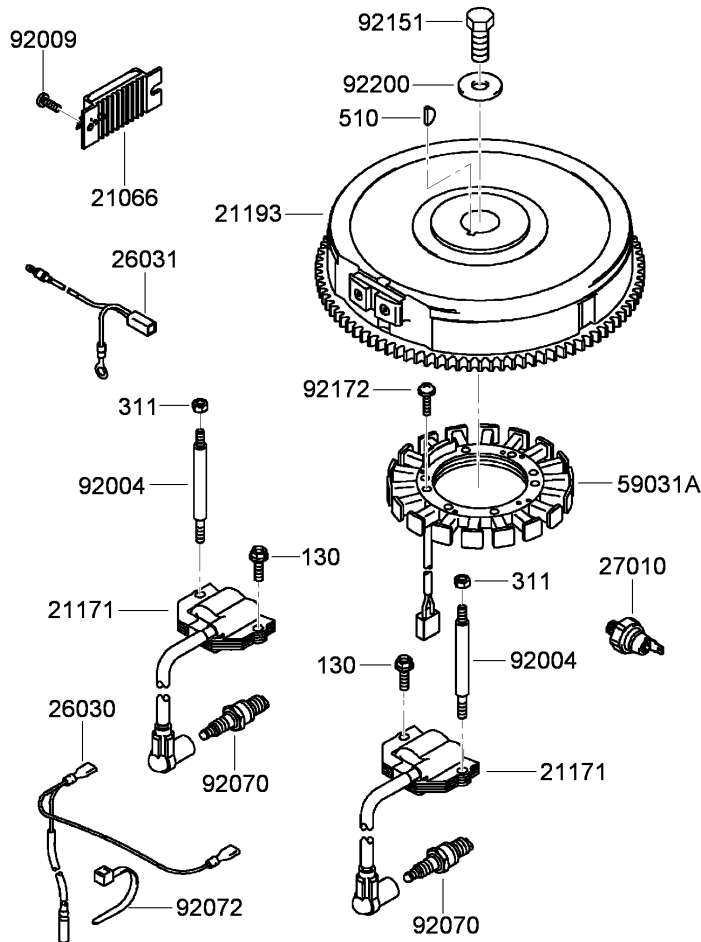




## Cooling Equipment Assembly Kawasaki FH580V-FS30

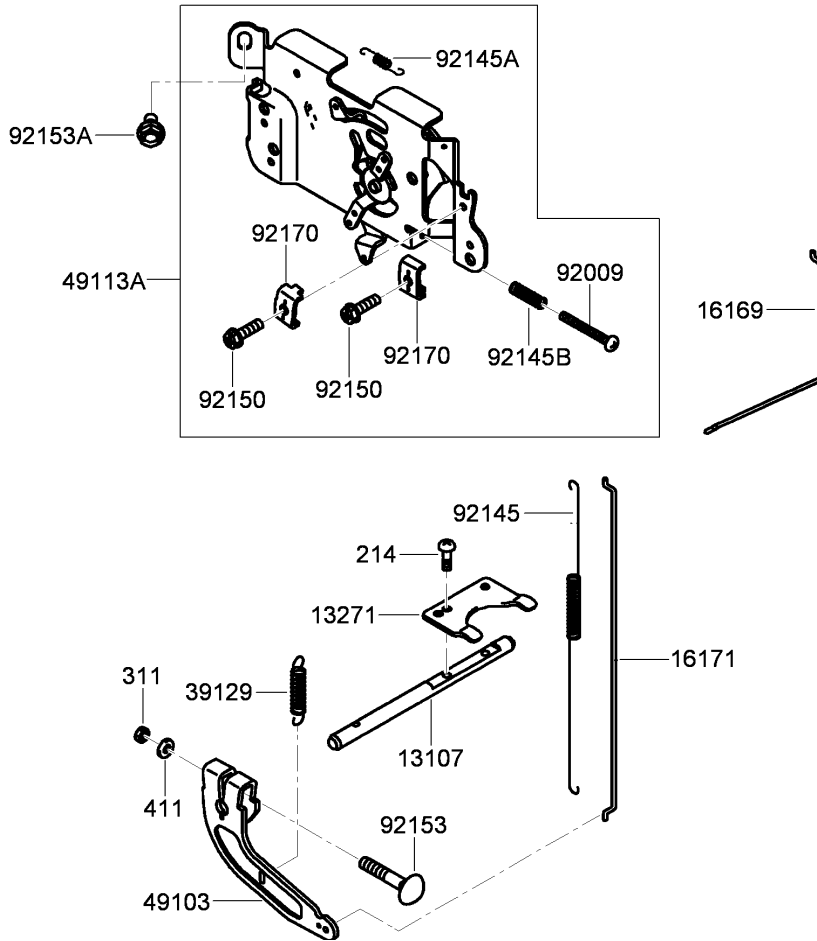
Ref	Part No.	Qty.	Description
② 130	130AA0616	2	Bolt-Flanged (6X16)
② 130A	130AA0625	2	Bolt-Flanged (6X25)
② 130B	130AA0816	1	Bolt-Flanged (8X16)
② 311	311AA0600	2	Nut-Hex (6Mm)
② 13270	13270-7007	1	Plate
② 14037	14037-7020-9H	1	Screen
② 23062	23062-7010	1	Bracket
② 49089	49089-7032	1	Shroud-Engine
② 49089A	49089-7042	1	Shroud-Engine
② 49089B	49089-7043	1	Shroud-Engine
② 55020	55020-7004	1	Guard
② 59041	59041-7012	1	Fan
② 59066	59066-7037	1	Housing-Fan
② 92004	92004-7006	2	Stud
② 92026	92026-7007	1	Spacer
② 92151	92151-7012	3	Bolt (6X12)
② 92153	92153-7007	3	Bolt
② 92153A	92153-7008	1	Bolt
② 92153B	92153-7043	2	Bolt (6X12)
② 92210	92210-0003	4	Nut

--	--	--	--



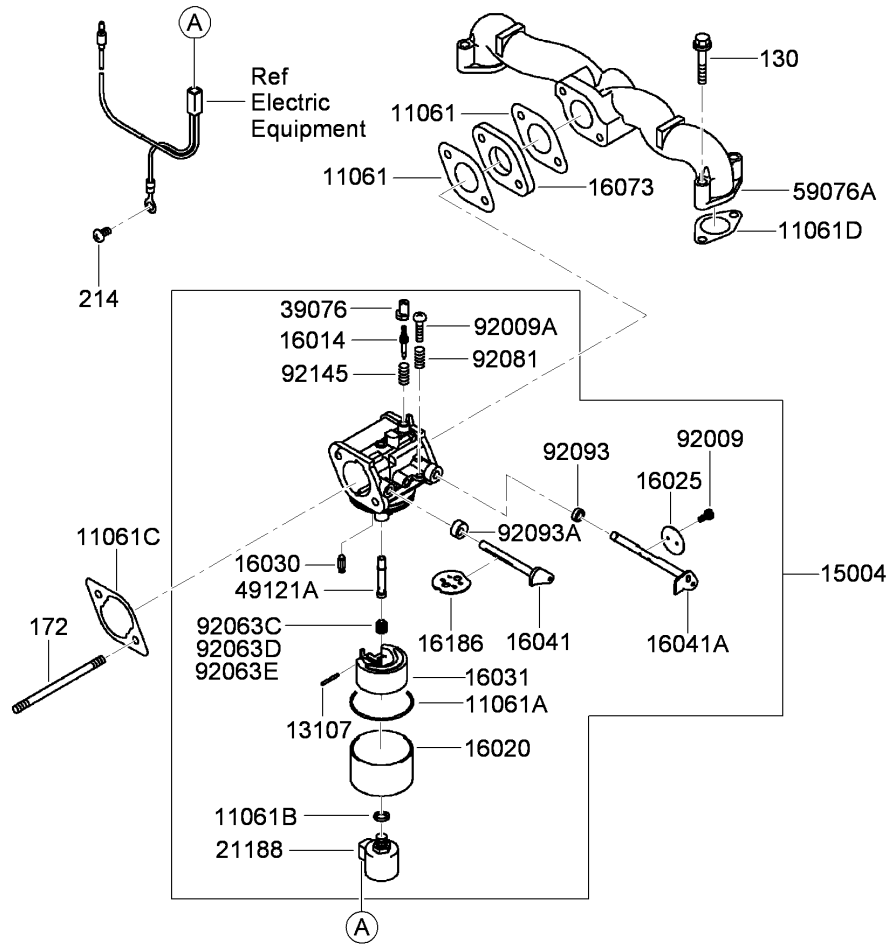
## Electric Equipment Assembly Kawasaki FH580V-FS30

Ref	Part No.	Qty.	Description
②130	130AA0620	2	Bolt-Flanged (6X20)
②311	311AA0600	2	Nut-Hex (6Mm)
②510	510A5100	1	Key-Woodruff
②21066	21066-7011	1	Regulator-Voltage
②21171	21171-7034	2	Ignition Coil ASM
②21193	21193-7032	1	Flywheel ASM
②26030	26030-7001	1	Harness
②26031	26031-7012	1	Harness
②27010	27010-7001	1	Switch
②59031A	59031-7014	1	Coil-Charging
②92004	92004-7009	2	Stud
②92009	92009-2308	1	Screw
②92070	92070-7003	2	Spark Plug (R C J 8 Y, Solid)
②92072	92072-7003	3	Band
②92151	92151-2097	1	Bolt (12X30)
②92172	92172-7018	4	Screw (5X20)
②92200	92200-7002	1	Washer

## Control Equipment Assembly Kawasaki FH580V-FS30

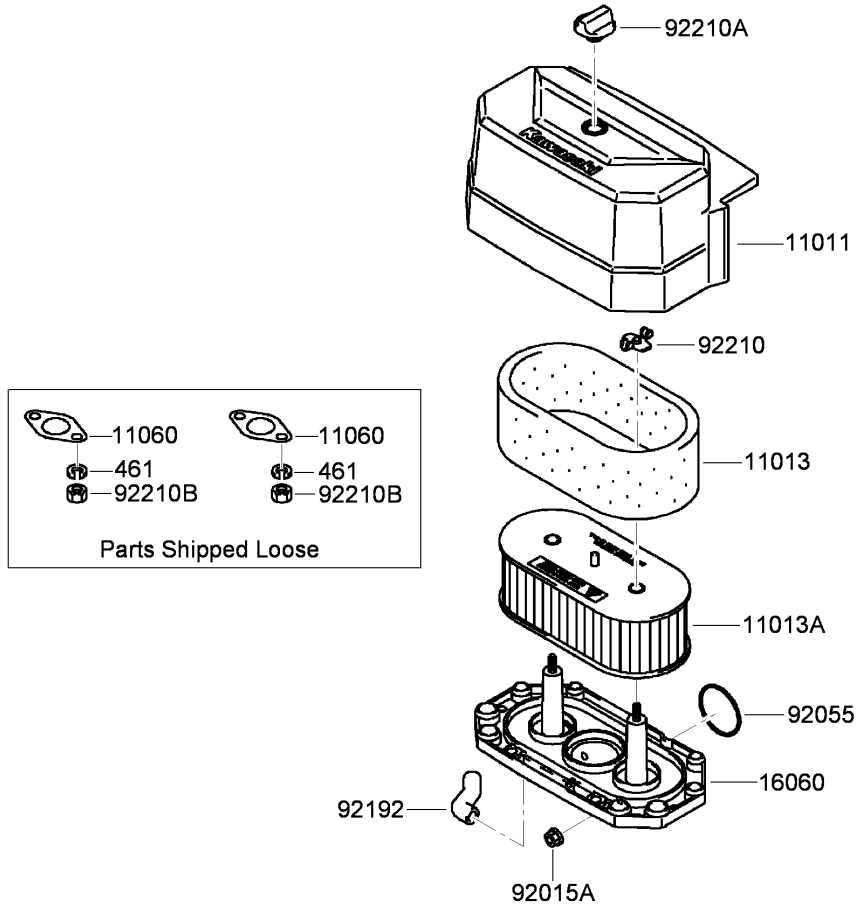
Ref	Part No.	Qty.	Description
2	214AA0408	2	Screw-Pan +--(4X8)
1	311AA0600	1	Nut-Hex (6Mm)
1	411AA0600	1	Washer-Plain (6Mm)
1	13107	1	Shaft
1	13271	1	Plate
1	16169	1	Link-Choke
1	16171	1	Link
1	39129	1	Spring-Governor
1	49103	1	Arm-Governor
1	49113A	1	Panel-Comp-Control
1	92009	1	Screw (4X35)
1	92145	1	Spring
1	92145A	1	Spring
1	92145B	1	Spring
2	92150	2	Bolt (5X18)
1	92153	1	Bolt (6X35)
2	92153A	2	Bolt (6X12)
2	92170	2	Clamp

## Carburetor Assembly Kawasaki FH580V-FS30

Ref	Part No.	Qty.	Description
● 130	130AA0635	4	Bolt-Flanged (6X35)
● 172	172BA0690	2	Bolt-Stud (6X90)
● 214	214AA0510	1	Screw-Pan +- (5X10)
● 11061	11061-7004	2	Gasket-Insulator
● 11061A	11061-7009	1	Gasket-Chamber
● 11061B	11061-7010	1	Gasket-Screw
● 11061C	11061-7018	1	Gasket-Cleaner, Air
● 11061D	11061-7019	2	Gasket
● 13107	13107-7018	1	Shaft
● 15004	15004-7060	1	Carburetor ASM
● 16014	16014-7005	1	Screw-Air, Pilot
● 16020	16020-7003	1	Chamber-Float
● 16025	16025-7006	1	Valve-Throttle
● 16030	16030-7003	1	Valve-Float
● 16031	16031-7002	1	Float
● 16041	16041-7016	1	Shaft-Choke, Carburetor
● 16041A	16041-7018	1	Shaft-Throttle, Carburetor
● 16073	16073-7007	1	Insulator
● 16186	16186-7001	1	Choke Valve ASM
● 21188	21188-7002	1	Solenoid
● 39076	39076-7001	1	Limiter
● 49121A	49121-7016	1	Nozzle-Main
● 59076A	59076-7017	1	Manifold-Intake
● 92009	92009-2083	2	Screw

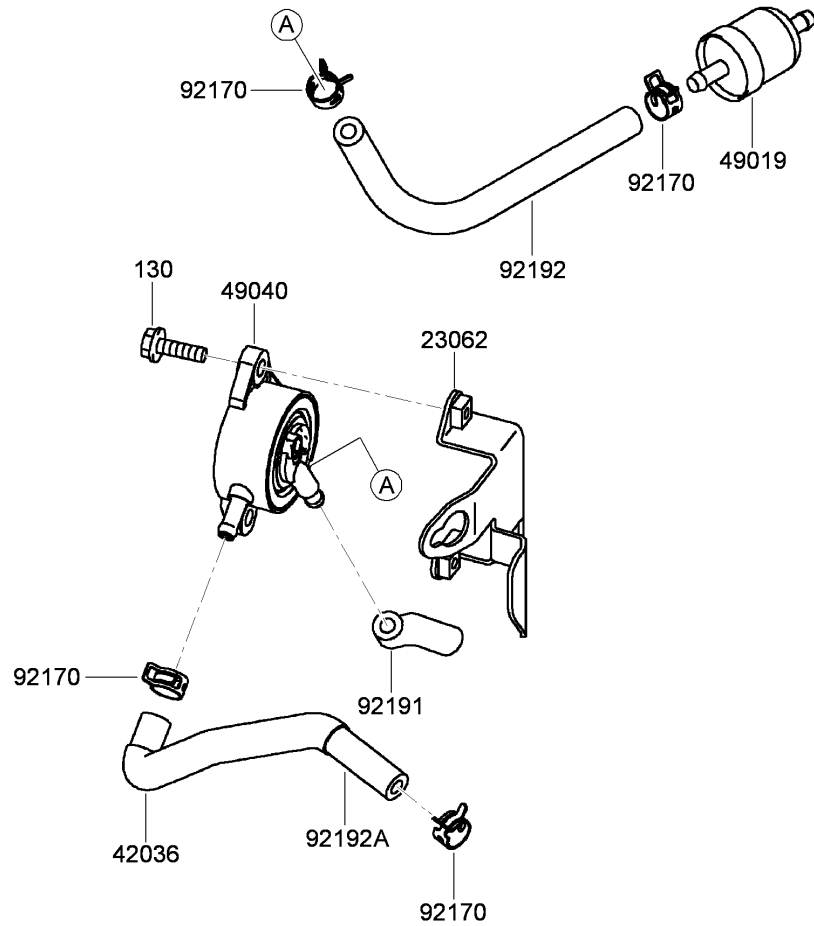
Ref	Part No.	Qty.	Description
● 92009A	92009-2349	1	Screw
● 92063C	92063-7066	1	Jet-Main, No. 108
● 92063D	92063-7090	1	Jet-Main, No.106 (2380Ft)
● 92063E	92063-7091	1	Jet-Main, No.104 (6560Ft)
● 92081	92081-2234	1	Spring
● 92093	92093-2100	1	Seal
● 92093A	92093-7003	1	Seal
● 92145	92145-7015	1	Spring



## Air Filter and Muffler Assembly Kawasaki FH580V-FS30

Ref	Part No.	Qty.	Description
②461	461DA0800	4	Washer-Spring (8Mm)
②11011	11011-7046	1	Case-Filter, Air
②11013	11013-7025	1	Element-Filter, Air
②11013A	11013-7031	1	Element-Filter, Air
②11060	11060-7021	2	Gasket-Muffler
②16060	16060-7016	1	Pipe-Intake
②92015A	92015-1367	2	Nut
②92055	92055-7015	1	O-Ring
②92192	92192-7010	1	Tube
②92210	92210-7004	2	Nut (M6)
②92210A	92210-7019	1	Nut
②92210B	92210-7027	4	Nut (M8)

--	--	--	--



## Fuel Tank and Valve Assembly Kawasaki FH580V-FS30

Ref	Part No.	Qty.	Description				
② 130	130AA0620	2	Bolt-Flanged (6X20)				
② 23062	23062-7019-9H	1	Bracket				
② 42036	42036-7012	1	Sleeve				
② 49019	49019-7001	1	Filter-Fuel				
② 49040	49040-7001	1	Pump-Fuel				
② 92170	92170-2009	4	Clamp				
② 92191	92191-7002	1	Tube				
② 92192	92192-7135	1	Tube (6.35X12.7X160)				
② 92192A	92192-7136	1	Tube (6.35X12.7X180)				





# Attachments and Accessories

## For 74559 - GrandStand Mower, With 52in TURBO FORCE Cutting Unit

Product Name	Model/Part
Blade-Hi-Flow, 18 Inch (6 Pack) .....	108-1117
Blade-Atomic, 18 Inch (6 Pack) .....	108-1118
Blade-Lo-Flow, 18 Inch (6 Pack) .....	110-0406
Blade-Recycler, 18 Inch (6 Pack) .....	110-0408
Blade-Med-Flow, 18 Inch (6 Pack) .....	110-0409
Light Kit .....	114-3505
Trash Bag Kit .....	117-0448
Recycler Kit .....	117-0541
Operator-Controlled Discharge Chute Kit .....	117-3600
Weight Kit .....	117-3620
Soft Bag (3 Bushel) .....	30104

# NOTES

