



Reel Motor Kit

Reelmaster 4000-D Traction Unit

Model No. 115-8017

Installation Instructions

Installation

Note: When changing the #1 reel motor, the top and bottom hoses to the motor must also be changed. Replace the top motor hose with Toro Part No. 115-8034 and the bottom hose with Toro Part No. 115-8018 (Figure 1). Obtain parts from your local authorized Toro Distributor.

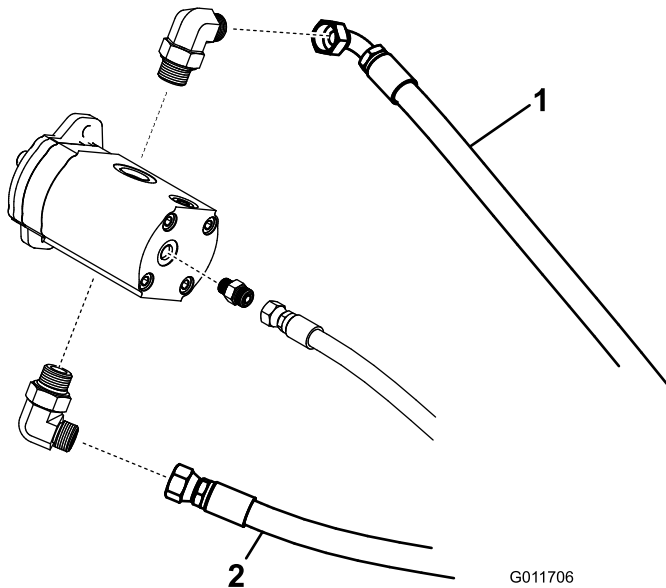


Figure 1

1. Top motor hose, 115-8034 2. Bottom motor hose, 115-8018

Note: Make sure all the O-rings are lubricated and in position when installing the fittings and hoses to the reel motors.

Use the diagram on page 2 to help orientate the fittings on the reel motors.

Fitting Orientation Diagram

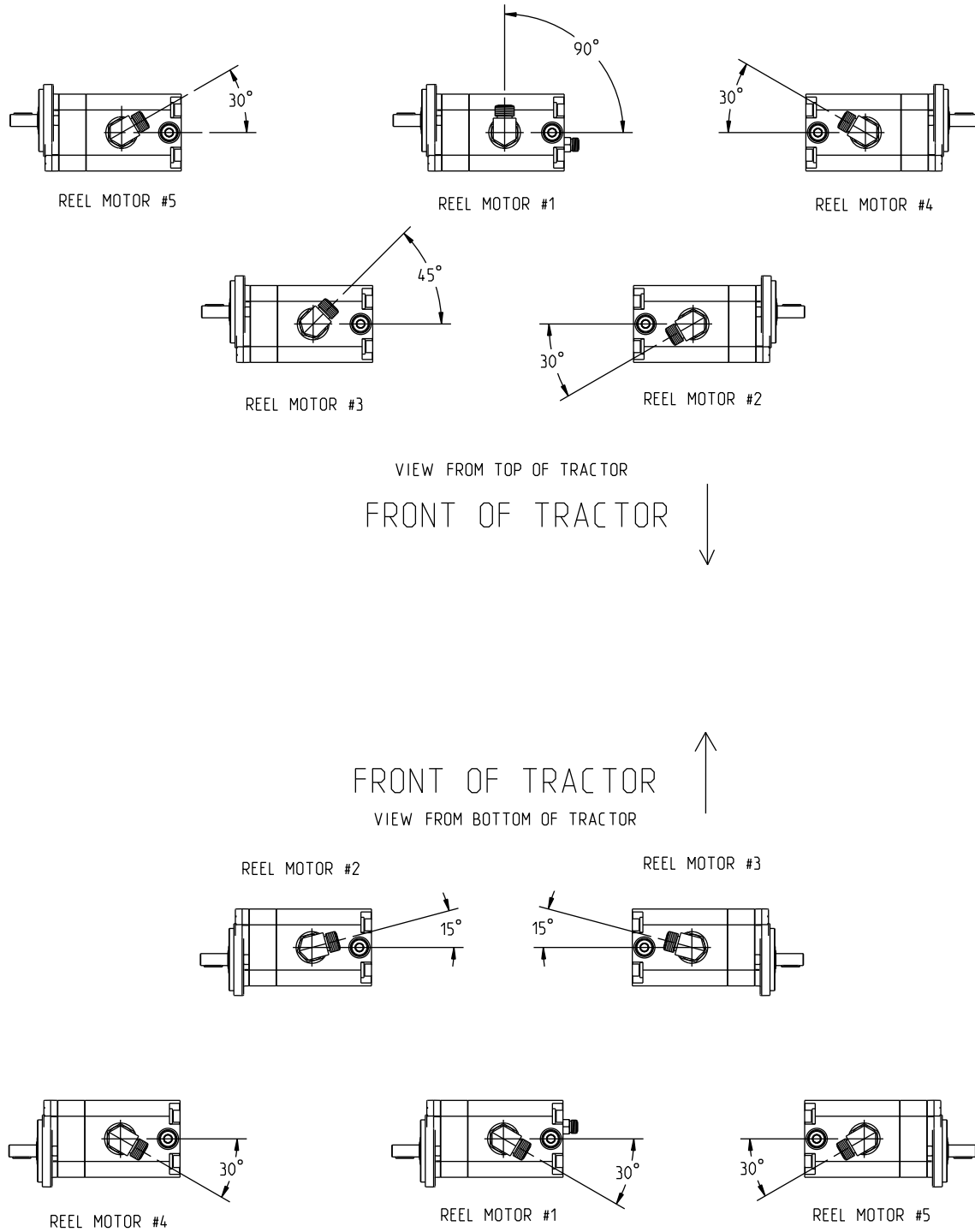


Figure 2

G011704