



GrandStand[®] Mower With 48in TURBO FORCE[®] Cutting Unit

Model No. 74568 - 290000001 and up.

Parts Catalog

Ordering Replacement Parts

To order replacement parts, please supply the part number, the quantity, and the description of each part desired.

Understanding Reference Numbers

Each identified part in an illustration has a reference number. The reference number for a part also appears in the parts list, along with other information about the part.

This catalog uses two special reference number formats, one to indicate parts in a service assembly and another to indicate the quantity of a given part in an illustration.

Service Assembly Reference Numbers

Parts in service assemblies have reference numbers in the form a:b. The a represents the reference number of the entire service assembly and the b represents a sequential number unique to each part within the service assembly.

For example, a wheel assembly might be identified by reference number 6, the tire by 6:1, the valve by 6:2, and the wheel by 6:3. When you order the assembly identified by reference number 6, you receive all parts identified by reference numbers 6:1, 6:2, and 6:3. However, you may also order any part individually. Reference numbers of this type appear in illustrations and in part lists.

Reference Numbers Indicating Quantity

In an illustration, if a reference number indicates more than one part, the reference number has the form nX y. The n represents the quantity of the part, the X is the multiplication symbol, and the y represents the reference number.

For example, in an illustration, the reference number 2X 37 means that two of the parts identified by reference number 37 are indicated.

Contents

Description	Page	Description	Page
48 Inch Deck Assembly 3	Fuel Tank Assembly 27
Deck Assembly No. 117-3632 4	Engine Assembly 28
Lever Assembly No. 107-1664 5	Cylinder and Crankcase Assembly Kawasaki FH680V-GS13 29
Spring Idler Assembly No. 117-0445 6	Piston and Crankshaft Assembly Kawasaki FH680V-GS13 30
Idler Adjust Assembly No. 117-0446 7	Valve and Camshaft Assembly Kawasaki FH680V-GS13 31
Spindle Assembly No. 107-8504 8	Lubrication Equipment Assembly Kawasaki FH680V-GS13 32
Deflector Assembly No. 114-1910 9	Cooling Equipment Assembly Kawasaki FH680V-GS13 33
Left Hand Belt Cover Assembly No. 117-3550 10	Electric Equipment Assembly Kawasaki FH680V-GS13 34
Right Hand Belt Cover Assembly No. 117-3551 11	Control Equipment Assembly Kawasaki FH680V-GS13 35
Wheel Assembly 12	Carburetor Assembly Kawasaki FH680V-GS13 36
Frame and Muffler Guard Assembly 13	Air Filter and Muffler Assembly Kawasaki FH680V-GS13 37
Deck Lift Assembly 14	Fuel Tank and Valve Assembly Kawasaki FH680V-GS13 38
Upper Control and Tower Assembly 15	Starter Assembly Kawasaki FH680V-GS13 39
Lower Control Assembly 16	Label Assembly Kawasaki FH680V-GS13 40
Hydraulic Assembly 17	Attachments and Accessories List 41
Hydraulic Motor Assembly No. 114-0549 19		
Hydraulic Pump Assembly No. 117-3597 20		
Hydraulic Belt Drive Assembly 21		
Platform Assembly 22		
Cushion Assembly No. 114-1917 23		
Platform Assembly No. 117-0431 24		
Parking Brake Assembly 25		
Electrical Assembly 26		

Part Description Abbreviations

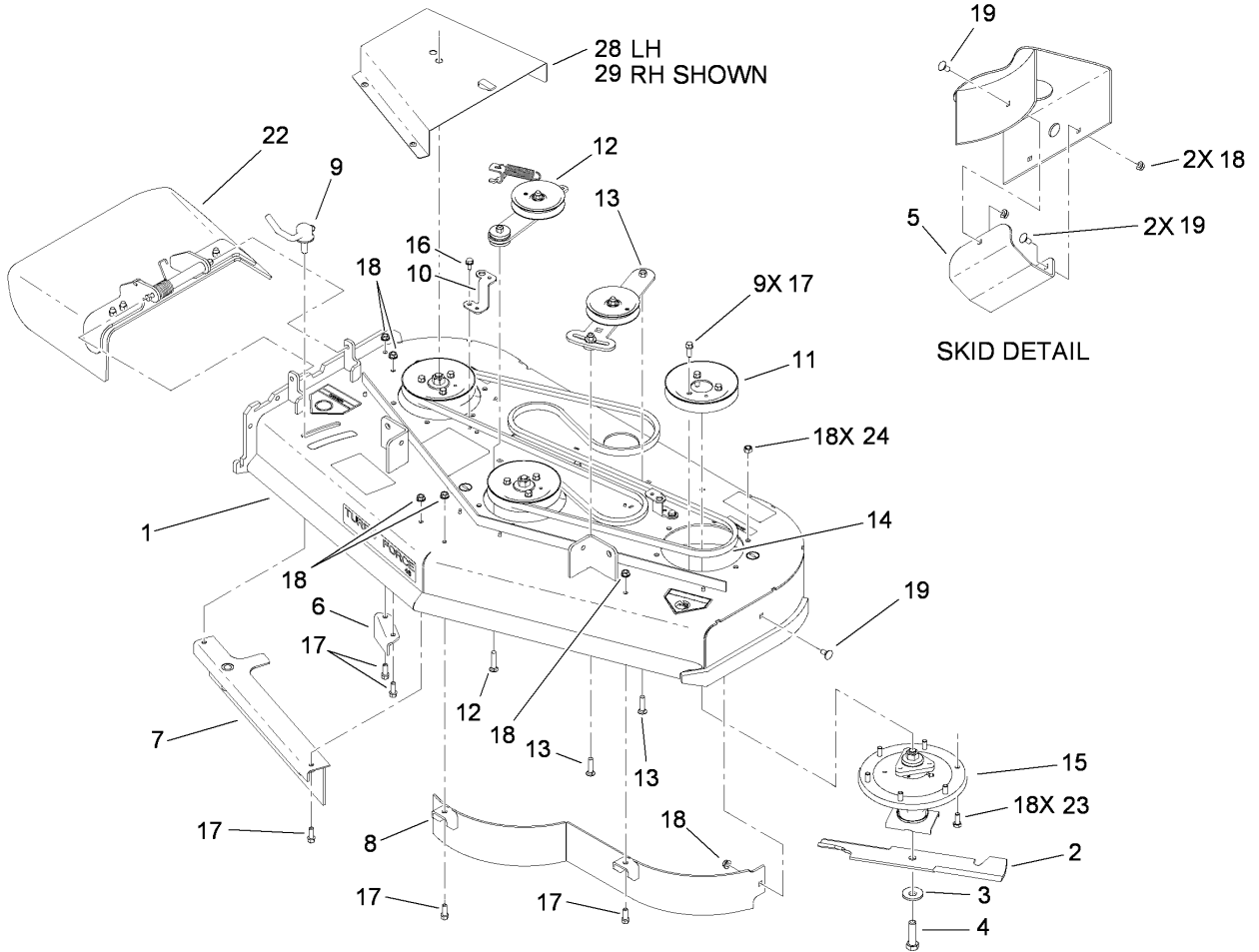
Part descriptions in this catalog may include the following abbreviations.

AR. as required	HWHTF. hex washer head thread forming
ASM. assembly	HYD. hydraulic
BBC. blade brake clutch	LH. left hand
CARR. carriage	NI. nylon insert
CCW. counter clock wise	NPTF. national pipe thread fine
CW. clockwise	PFH. phillips flat head
DEG. degrees	PPH. phillips pan head
ECM. electronic control module	PPHTF. phillips pan head thread forming
EXT. external	PRH. phillips round head
FH. flat head	PTH. phillips truss head
GA. gauge	PTO. power-take-off
HD. heavy-duty	RH. right hand
HF. hex flange	ROPS. roll-over protection system
HH. hex head	SFH. slotted fillister head
HHF. hex head flange	SHH. slotted hex head
HHFTF. hex head flange thread forming	SHWH. slotted hex washer head
HJ. hex jam	SPH. slotted pan head
HLH. hex lag head	SQH. square head
HOC. height-of-cut	SRH. slotted round head
HSBH. hex socket button head	STD. standard
HSFH. hex socket flat head	TAP. self tapping
HSH. hex socket head	TTH. torx truss head
HWH. hex washer head	

Footnotes

- ❶ Not illustrated
- ❷ Obtain parts from www.kawpowerepc.com

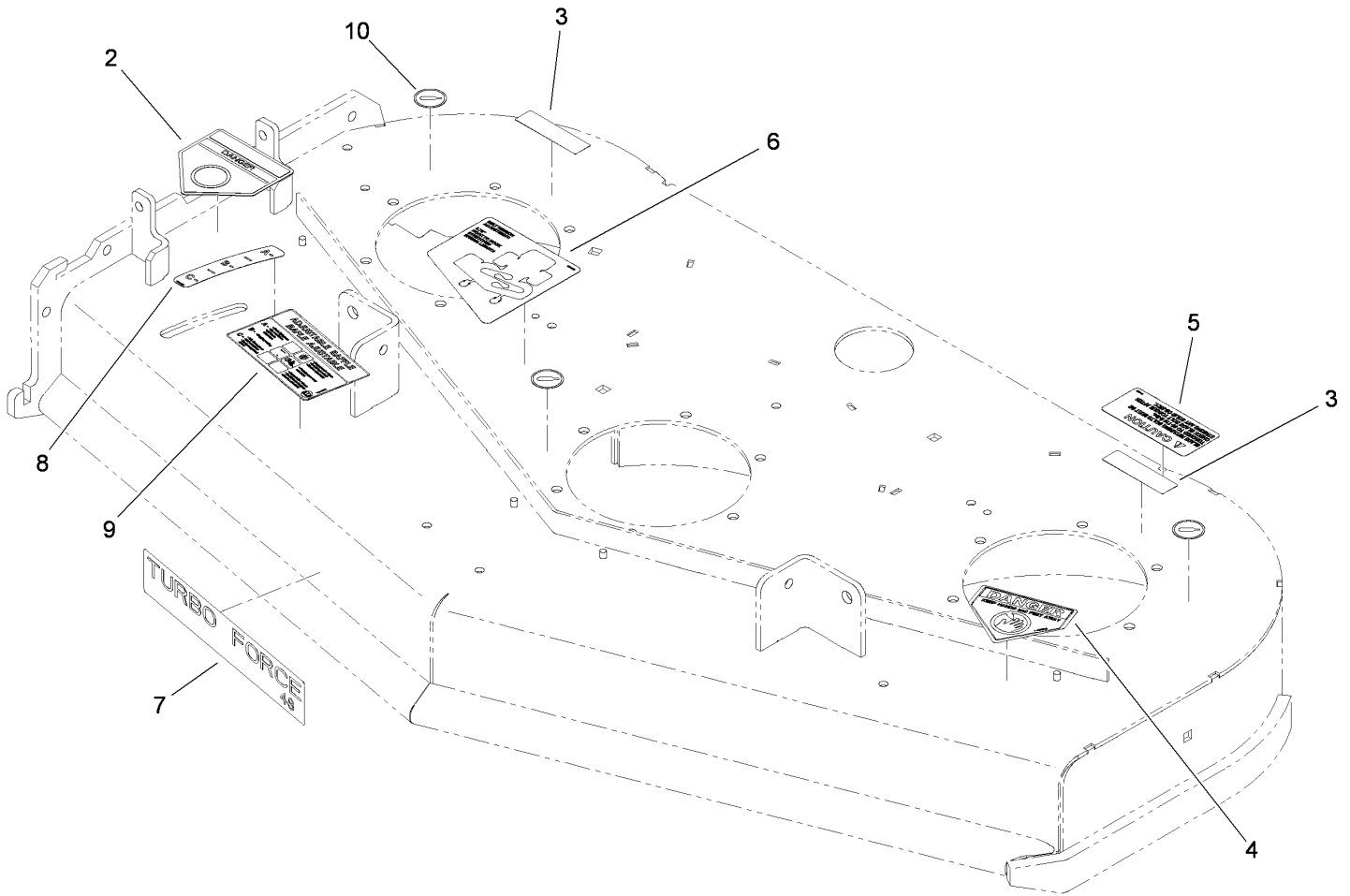
- ❸ Not serviced separately



48 Inch Deck Assembly

Ref	Part No.	Qty.	Description
1	117-3632	1	Deck ASM
2	107-3192-03	3	Blade-16.5 Inch (High Flow)
3	103-0865	3	Washer-Blade Bolt, Heavy
4	103-0862	3	Screw-Cap
5	114-1908-01	1	Skid
6	107-8541-01	1	Baffle-Discharge
7	105-7755-01	1	Baffle ASM
8	117-0410-01	1	48 Inch Baffle ASM
9	107-1664	1	Lever ASM
10	108-2177-01	2	Bracket-Cover, Tall
11	115-7440	3	Pulley
12	117-0445	1	Spring Idler ASM
13	117-0446	1	Idler Adjust ASM
14	114-0453	1	Belt-V
15	107-8504	3	Spindle ASM
16	32144-70	2	Screw-HWHTF
17	92-1624	5	Screw-HWH
18	3290-357	9	Nut-HHF, Whiz
19	3231-1	4	Screw-CARR
22	114-1910	1	Deflector ASM
23	33115-025	18	Screw-HH
24	33025-00	18	Nut-Lock
28	117-3550	1	LH Belt Cover ASM
29	117-3551	1	RH Belt Cover ASM

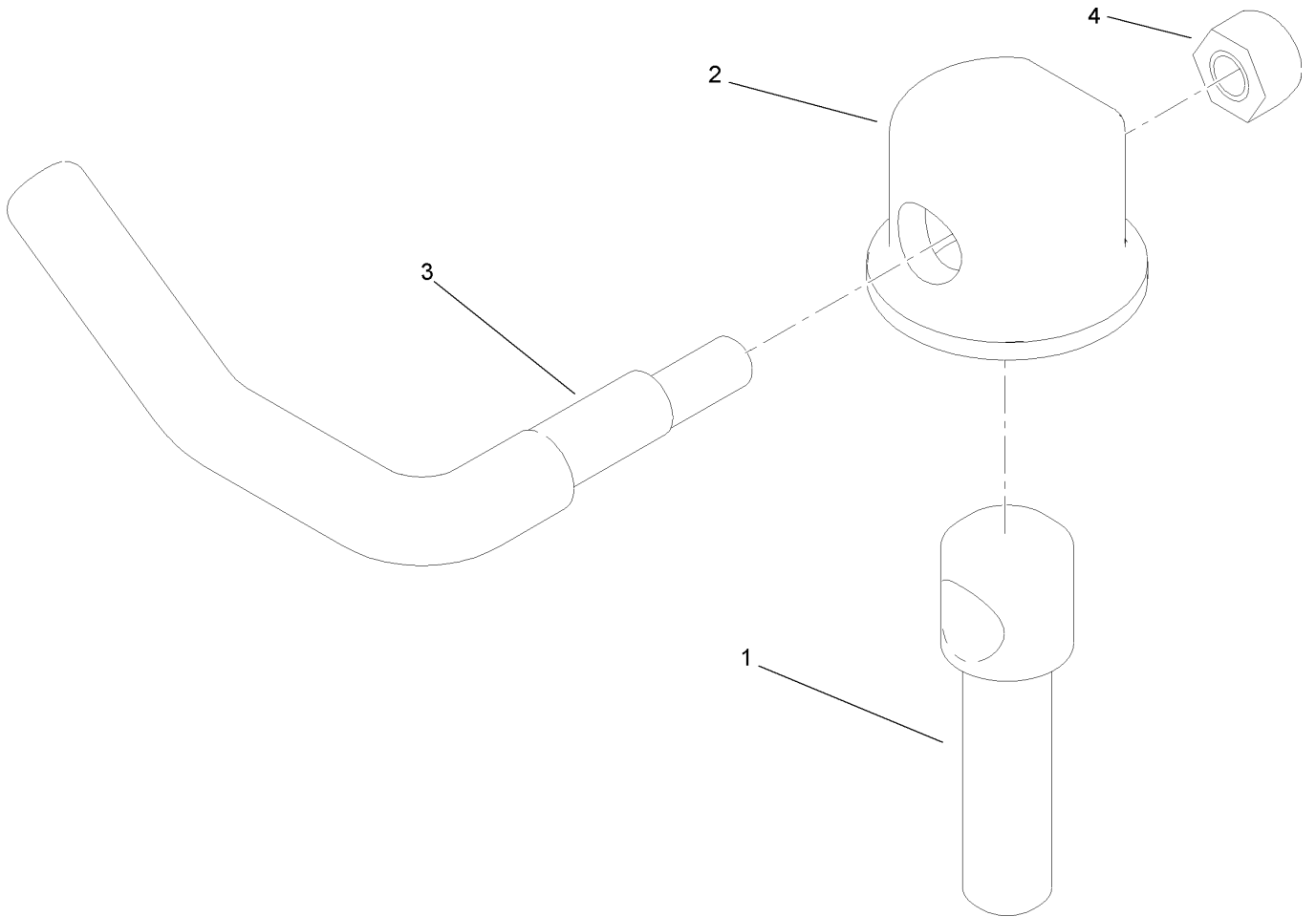
--	--	--	--



Deck Assembly No. 117-3632

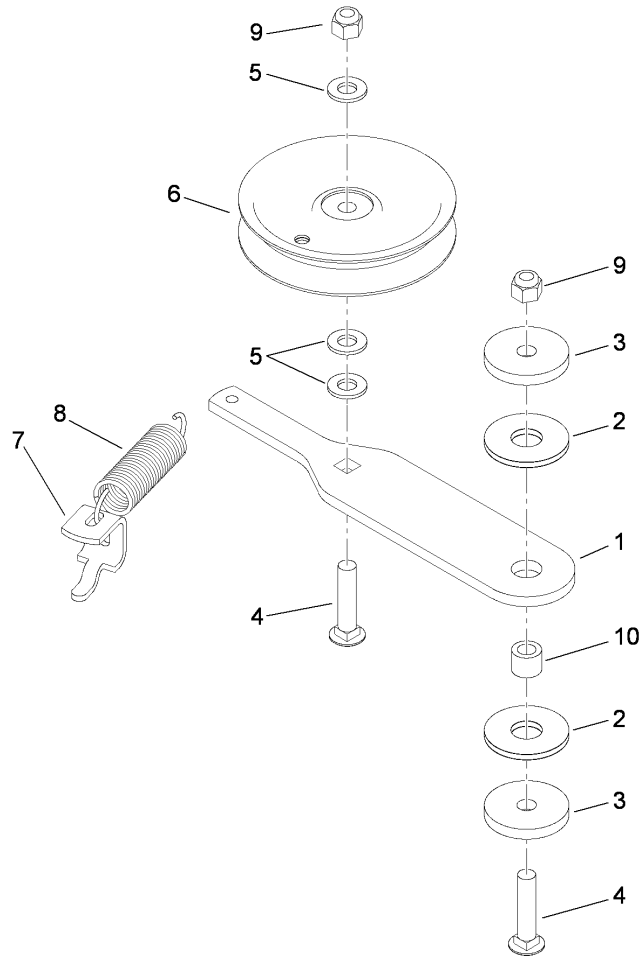
Ref	Part No.	Qty.	Description
2	54-9220	1	Decal-Danger
3	98-5954	2	Decal-Cover, Missing
4	1-403005	1	Decal-Danger
5	68-8340	1	Decal-Torque
6	117-0486	1	Decal-Tension, Belt
7	107-1690	1	Decal
8	110-2067	1	Decal-Setting, Baffle
9	110-2068	1	Decal-Adjustment, Baffle
10	58-6520	3	Decal-Grease

Ref	Part No.	Qty.	Description



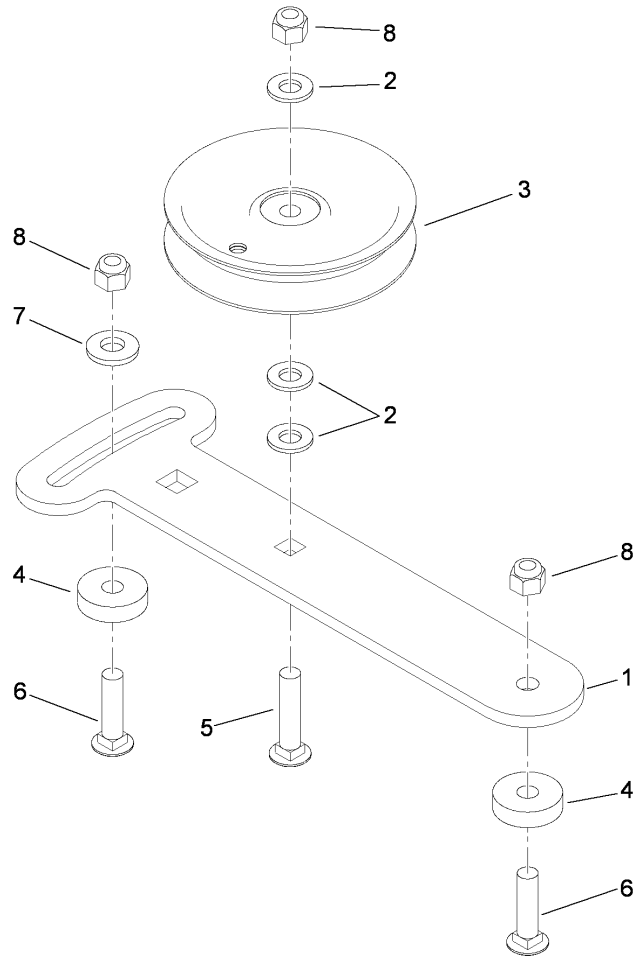
Lever Assembly No. 107-1664

Ref	Part No.	Qty.	Description
1	106-3239	1	Screw-Lock
2	107-1644	1	Cap-Lock
3	106-3241	1	Lever-Lock
4	3296-29	1	Nut-Lock, NI



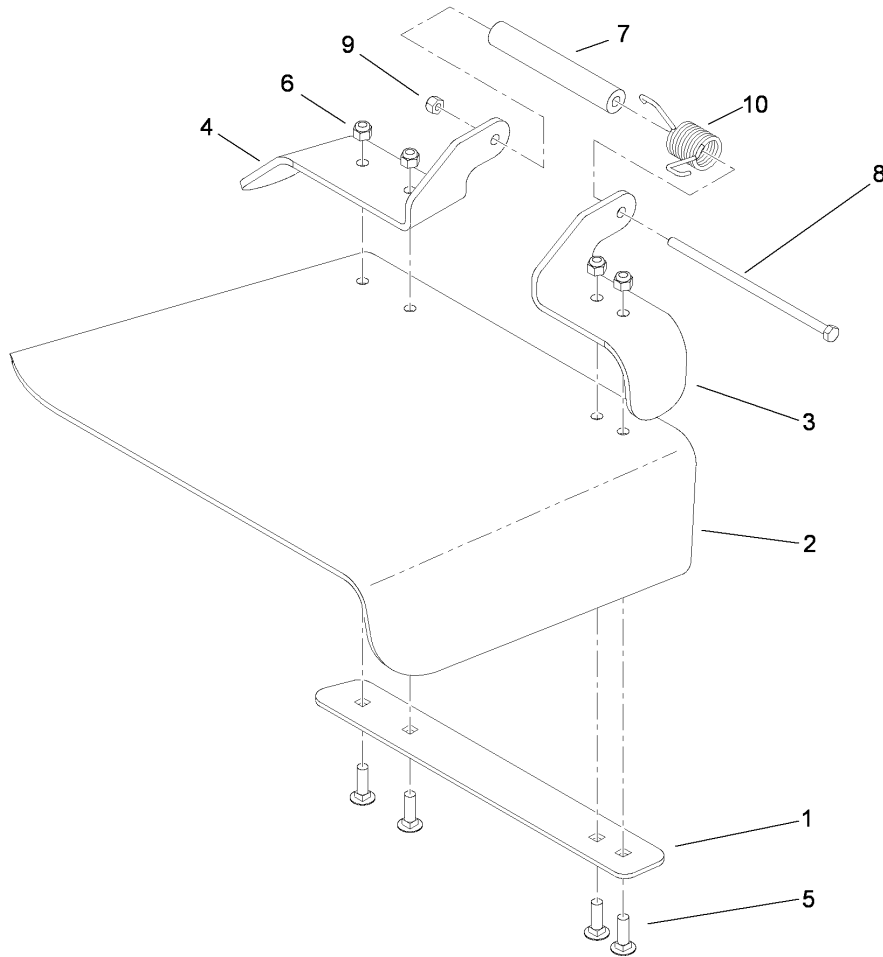
Spring Idler Assembly No. 117-0445

Ref	Part No.	Qty.	Description
1	114-1992	1	Plate-Idler
2	114-0463	2	Washer-Friction, Composite
3	110-9981	2	Washer-Plain
4	3231-5	2	Screw-CARR
5	3256-24	3	Washer-Flat
6	93-1622	1	Pulley-Idler
7	117-0447-01	1	Bracket-Anchor, Spring
8	108-4056	1	Spring-Extension
9	3296-39	2	Nut-Lock, NI
10	1-413088	1	Bushing-Lever, Lift



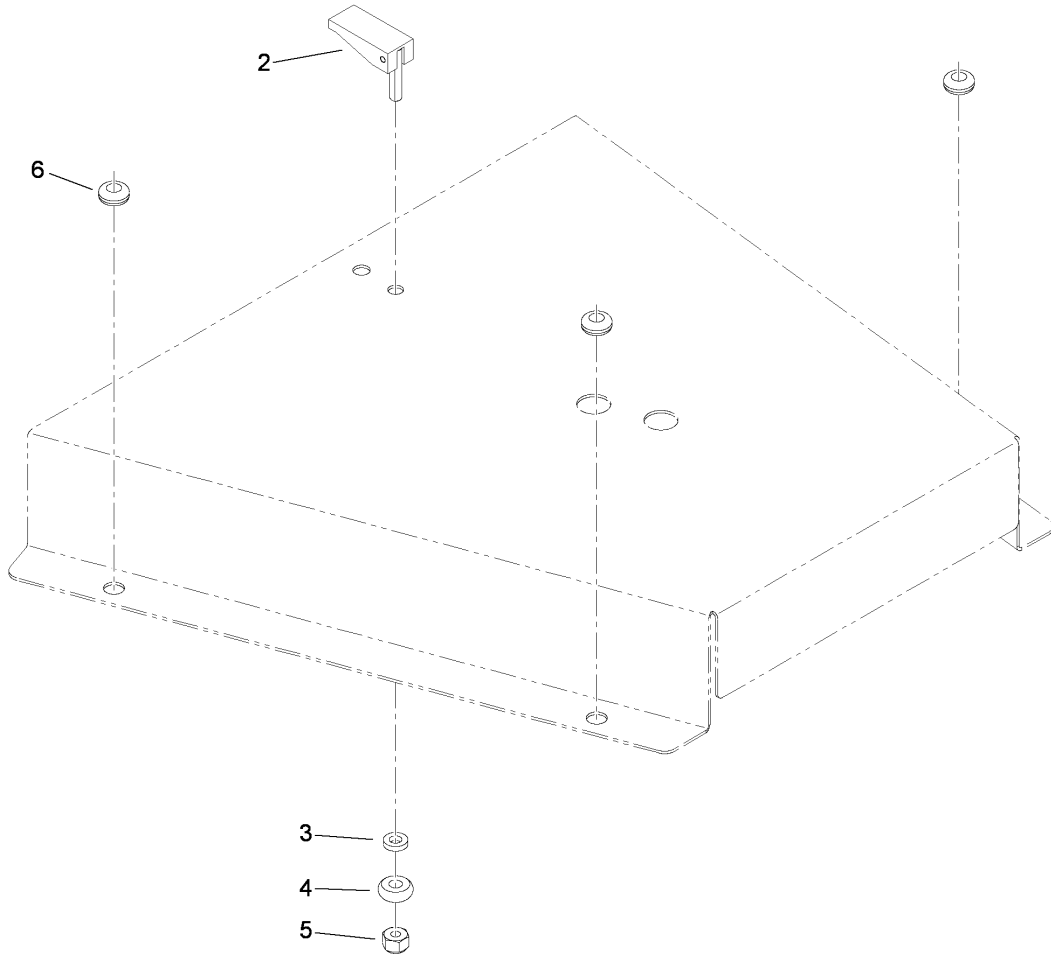
Idler Adjust Assembly No. 117-0446

Ref	Part No.	Qty.	Description
1	114-1991	1	Plate-Idler
2	3256-24	3	Washer-Flat
3	93-1622	1	Pulley-Idler
4	105-7788	2	Spacer
5	3231-5	1	Screw-CARR
6	3231-4	2	Screw-CARR
7	98-5975	1	Washer-Belleville
8	3296-39	3	Nut-Lock, NI



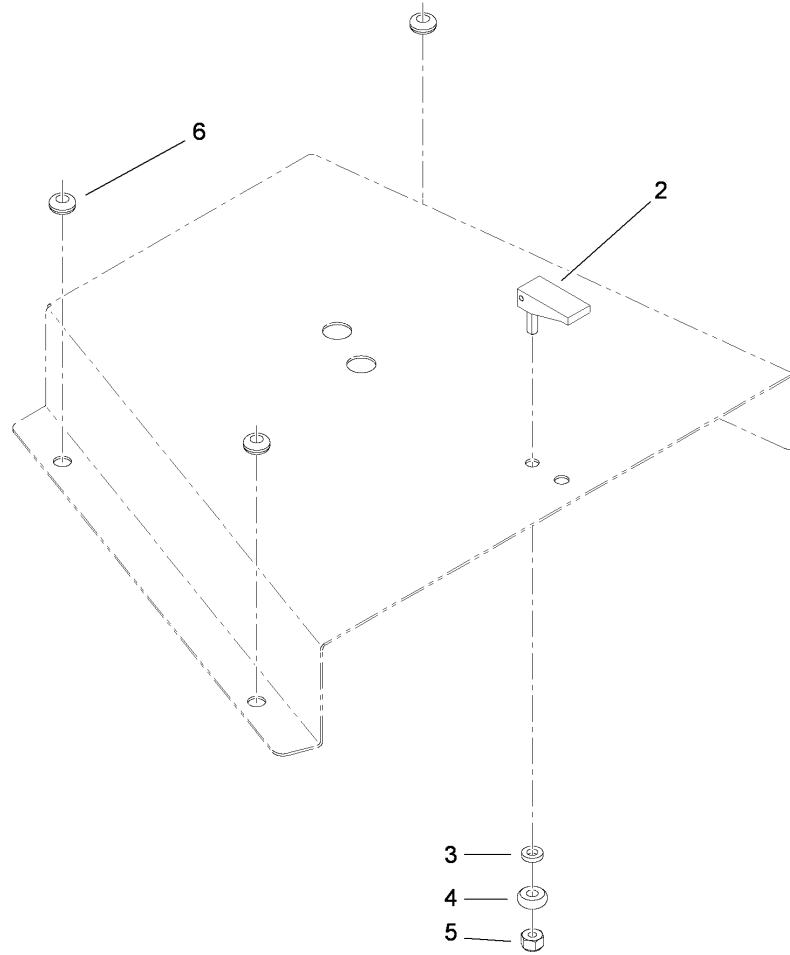
Deflector Assembly No. 114-1910

Ref	Part No.	Qty.	Description
1	106-3248-03	1	Strap-Discharge
2	110-0759	1	Deflector-Rubber
3	108-7766-03	1	Bracket-Hinge, Front
4	108-7767-03	1	Bracket-Hinge, Rear
5	3231-25	4	Screw-CARR
6	3296-39	4	Nut-Lock, NI
7	105-4622	1	Spacer
8	322-50	1	Screw-HH
9	3296-29	1	Nut-Lock, NI
10	108-4052	1	Spring-Torsion



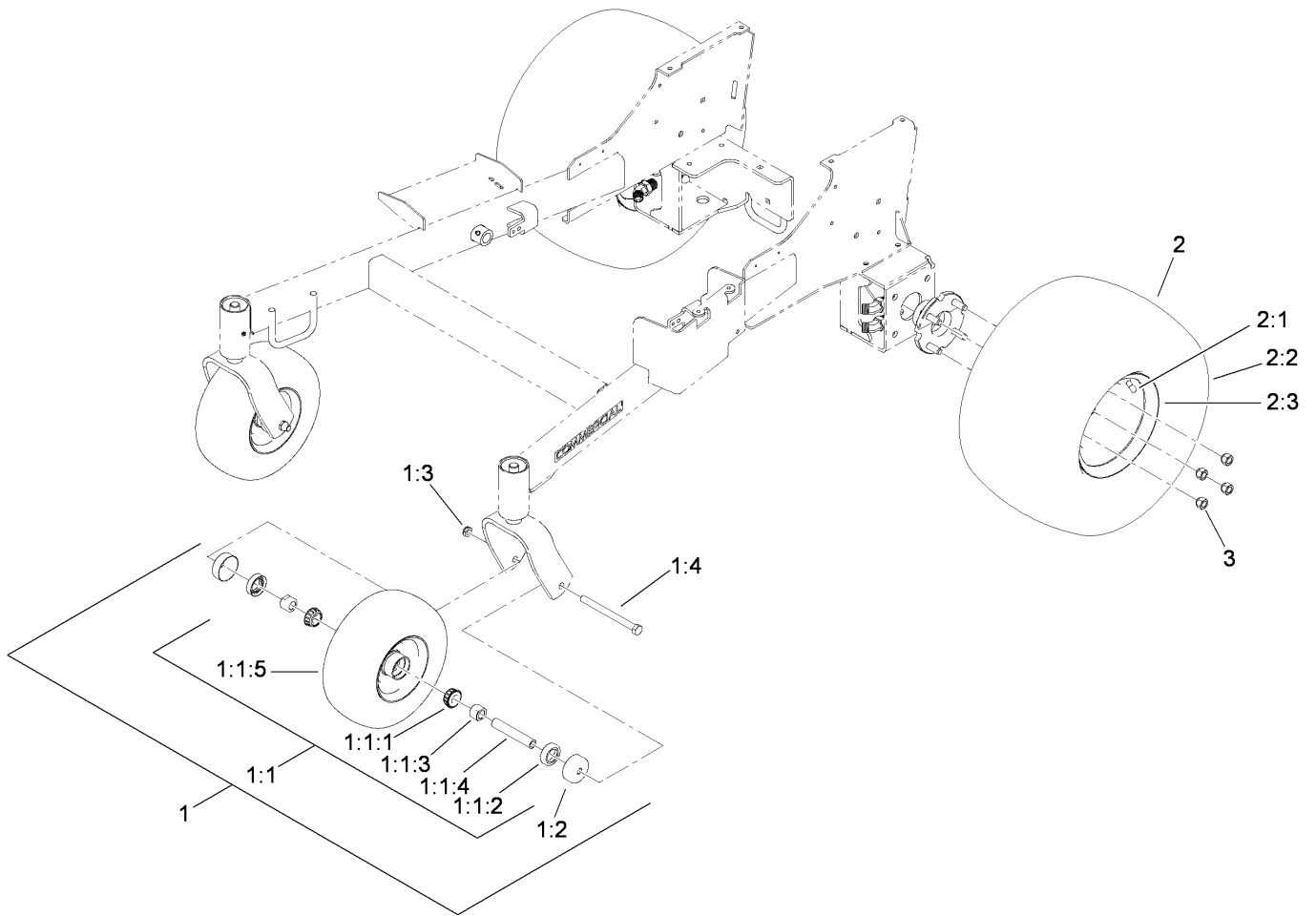
Left Hand Belt Cover Assembly No. 117-3550

Ref	Part No.	Qty.	Description
2	106-6777	1	Handle-Latch, Swell
3	99-3058	1	Washer
4	106-6778	1	Bushing-Latch, Swell
5	1-804254	1	Nut
6	237-84	3	Grommet



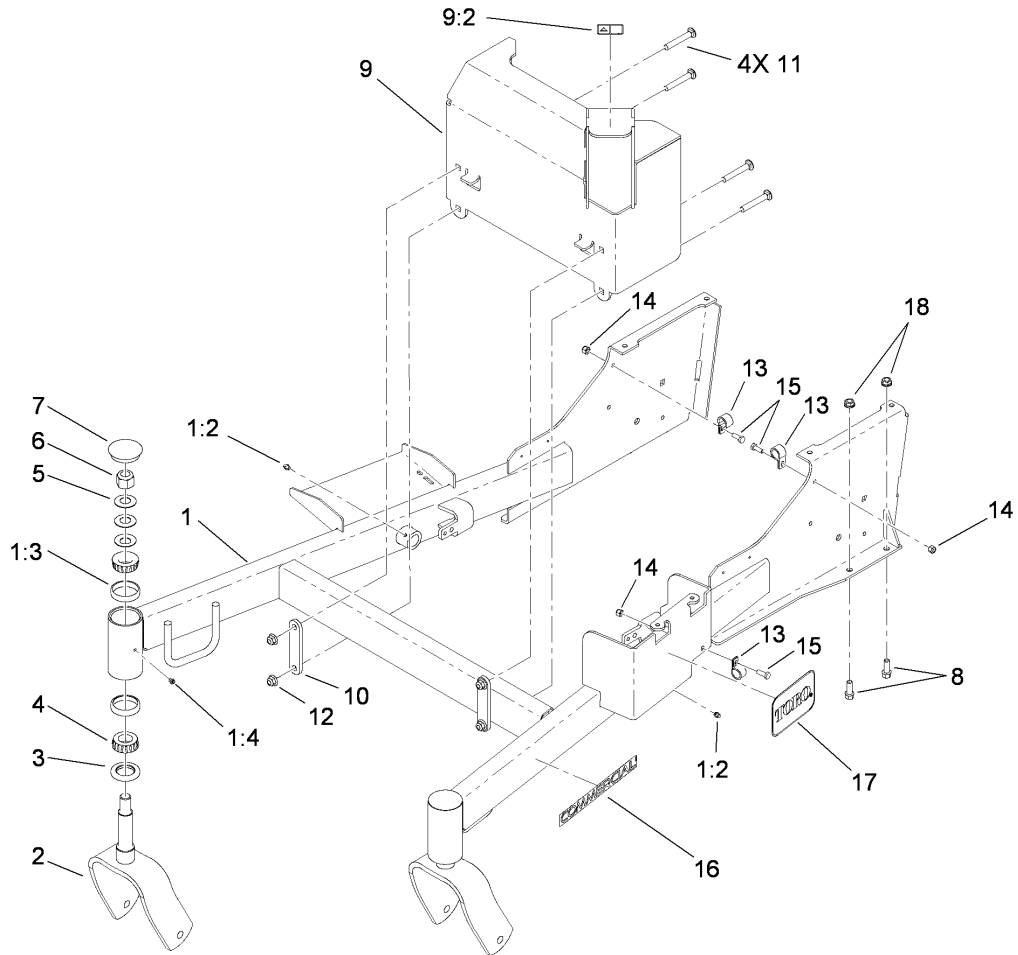
Right Hand Belt Cover Assembly No. 117-3551

Ref	Part No.	Qty.	Description
2	106-6777	1	Handle-Latch, Swell
3	99-3058	1	Washer
4	106-6778	1	Bushing-Latch, Swell
5	1-804254	1	Nut
6	237-84	3	Grommet



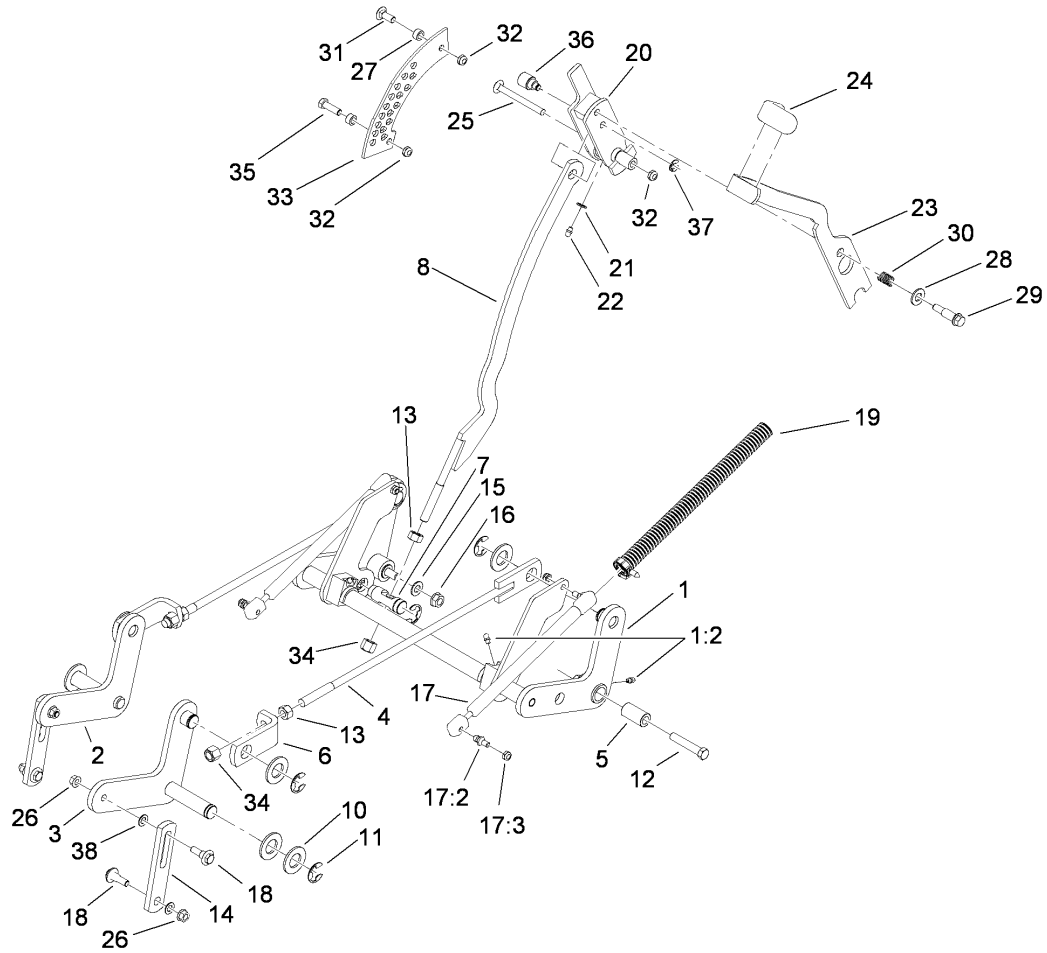
Wheel Assembly

Ref	Part No.	Qty.	Description				
1	112-3810	2	Wheel And Bearing ASM				
② 1:1		1	Wheel Bearing ASM				
1:1:1	1-633585	2	Bearing-Cone, Taper				
1:1:2	103-0063	2	Seal-Caster				
1:1:3	103-3051	2	Spacer-Nut				
1:1:4	103-3157	1	Axle-Caster				
1:1:5	110-9965	1	Wheel And Tire ASM				
1:2	103-2768	2	Guard-Seal				
1:3	3296-45	1	Nut-Lock, NI				
1:4	325-20	1	Screw-HH				
2	117-0429	2	Wheel ASM				
2:1	232-27	1	Stem-Valve				
2:2	117-0428	1	Tire				
2:3	106-8133	1	Rim-8 Inch				
3	242-50	8	Nut-Lug				



Frame and Muffler Guard Assembly

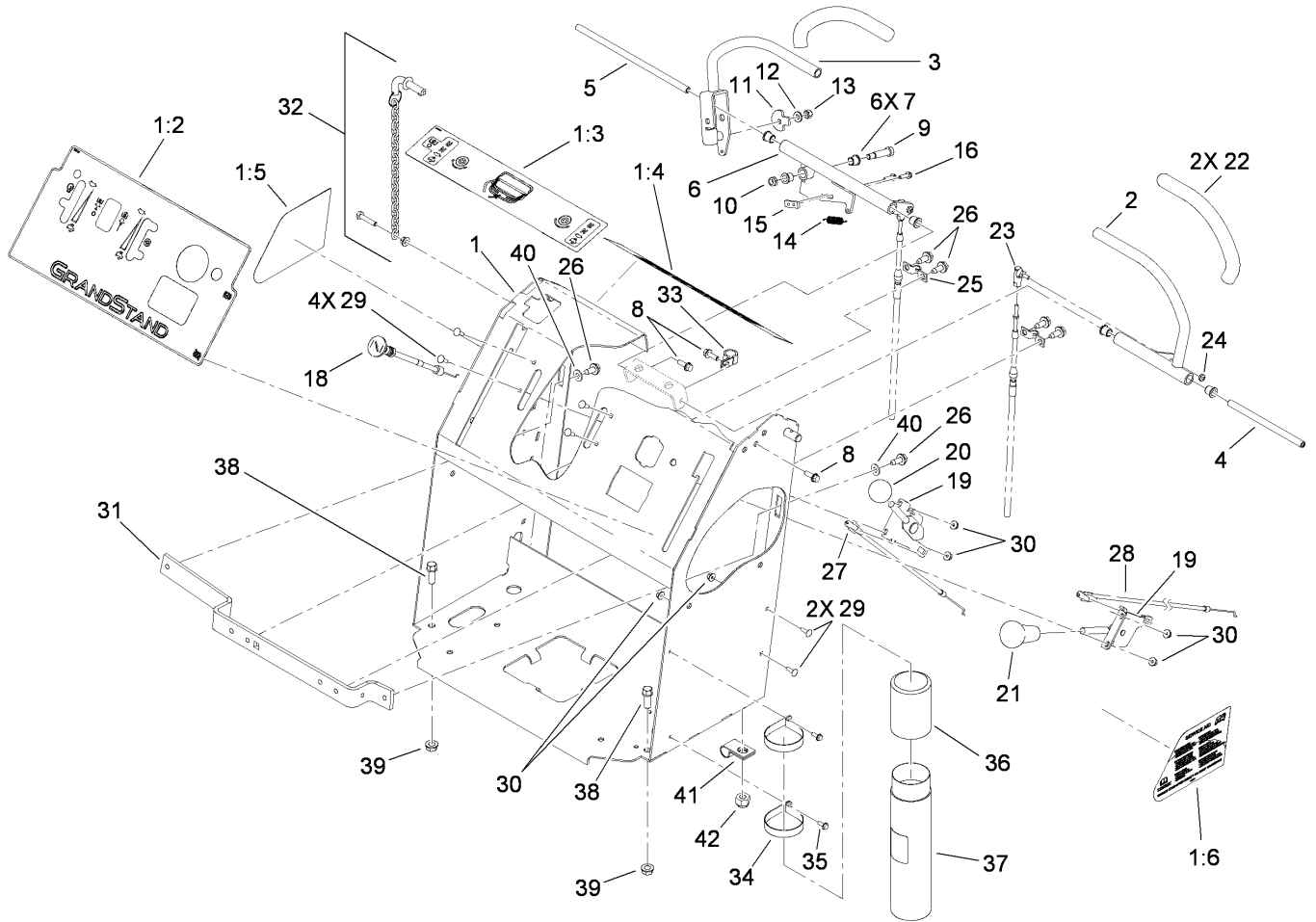
Ref	Part No.	Qty.	Description
1	117-0520	1	Front Frame ASM
1:2	302-5	2	Fitting-Grease
1:3	1-543508	4	Cup-Bearing
1:4	1-811010	2	Plug
2	103-8618-01	2	Fork-Caster
3	1-543511	2	Seal-Grease
4	1-543509	4	Bearing-Roller, Tapered
5	1-633508	6	Washer-Bellville
6	3296-51	2	Nut-Lock, NI
7	103-4882	2	Cap-Grease
8	92-1624	4	Screw-HWH
9	117-0434	1	Muffler Guard ASM
9:2	106-5517	1	Decal-Surface, Hot
10	117-0427-01	2	Bracket-Mounting, Guard
11	3231-31	4	Screw-CARR
12	104-8301	4	Nut-Flange, NI
13	2412-87	3	Clamp-Cable
14	3296-42	3	Nut-Lock, NI
15	321-4	3	Screw-HH
16	117-3591	2	Decal-Commercial
17	68-3640	1	Decal
18	3290-357	4	Nut-HHF, Whiz



Deck Lift Assembly

Ref	Part No.	Qty.	Description
1	117-0505	1	Lift ASM
1:2	302-5	4	Fitting-Grease
2	117-0489-01	1	RH Lift ASM
3	117-0488-01	1	LH Lift ASM
4	114-5268	2	Lift Rod ASM
5	117-0498	2	Spacer
6	117-0513	2	Bracket-Rod, Lift
7	114-5274	1	Pin-HOC
8	117-3611	1	Bar-Lift
10	3256-29	8	Washer-Flat
11	32151-103	7	Ring-Retaining, EXT
12	324-10	2	Screw-HH
13	3217-9	3	Nut-HH
14	117-0519	2	Link-Lift
15	3256-25	2	Washer-Flat
16	3296-48	2	Nut-Lock, NI
17	117-0506	2	Gas Spring ASM
17:2	88-6770	2	Stud-Ball
17:3	3296-47	2	Nut-Lock, NI
18	109-9840	4	Screw-Shoulder, HHF
19	117-3575	2	Cover-Spring
20	114-3512	1	HOC Handle ASM
21	3256-22	1	Washer-Flat
22	302-5	1	Fitting-Grease

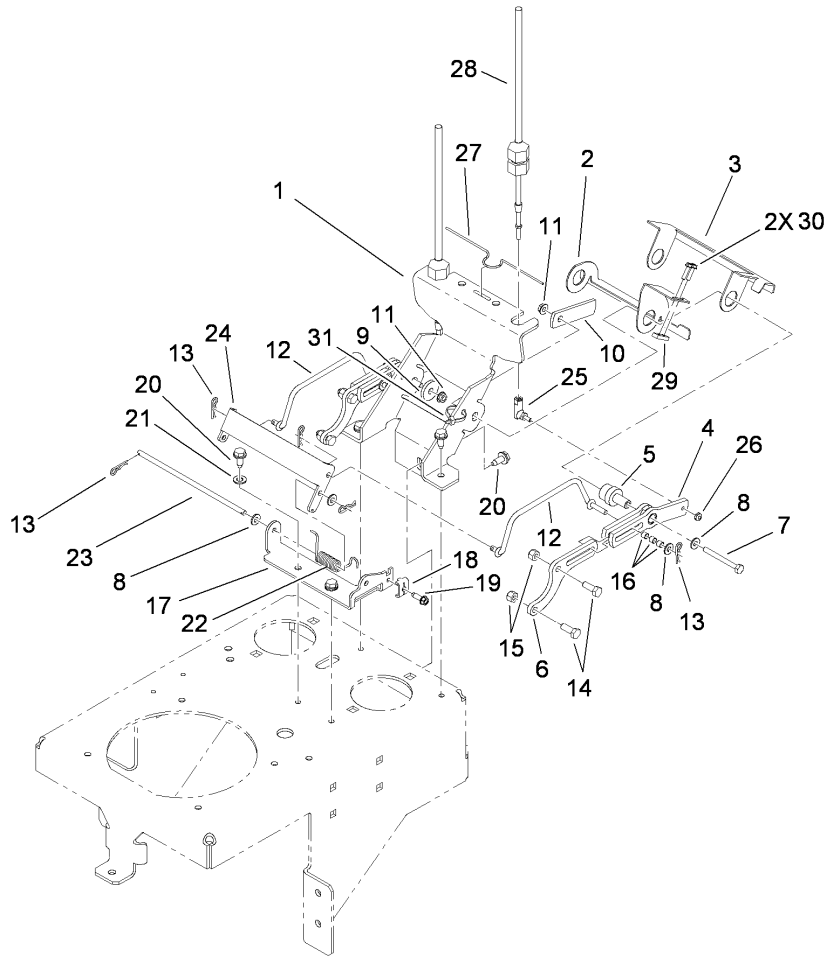
Ref	Part No.	Qty.	Description
23	114-5305-03	1	Lever-HOC
24	1-633268	1	Grip-Lever, Brake
25	3231-24	1	Screw-CARR
26	32128-21	4	Nut-HF
27	111044	2	Spacer
28	3256-26	1	Washer-Flat
29	66-0561	1	Screw-Shoulder
30	65-9940	1	Spring
31	3231-22	1	Screw-CARR
32	3296-59	3	Nut-Lock, NI
33	114-5307	1	Bracket-HOC
34	3296-23	3	Nut-Lock, NI
35	323-7	1	Screw-HH
36	117-3645	1	Hub-Pivot
37	32151-47	1	Ring-Retaining
38	40-1940	4	Washer



Upper Control and Tower Assembly

Ref	Part No.	Qty.	Description
1	114-1922	1	Control Tower ASM
1:2	117-0453	1	Decal-Panel, Control
1:3	117-0454	1	Decal-Opc
1:4	117-3626	1	Decal-Warning
1:5	117-0456	1	Decal-HOC
1:6	117-0485	1	Decal-Service Aid
2	114-5194-03	1	LH Lever ASM
3	114-5195-03	1	RH Lever ASM
4	114-0260	1	Shaft-Pivot
5	114-1904	1	Shaft-Pivot, Motion Control
6	114-5302	1	Motion Control ASM
7	103-9928	6	Bearing
8	3234-4	3	Screw-HHF
9	114-0239	1	Screw-HSH
10	3296-47	1	Nut-Lock, NI
11	114-0268	1	Cam-Lever, Handle Stop
12	3256-22	1	Washer-Flat
13	3296-42	1	Nut-Lock, NI
14	114-0249	1	Spring-Extension
15	1-633181	1	Plate-Tapped
16	32105-13	2	Screw-HWH
18	106-9962	1	Control-Choke, Push / Pull
19	110-5547	2	Control Lever ASM
20	1-603175	1	Knob-Ball

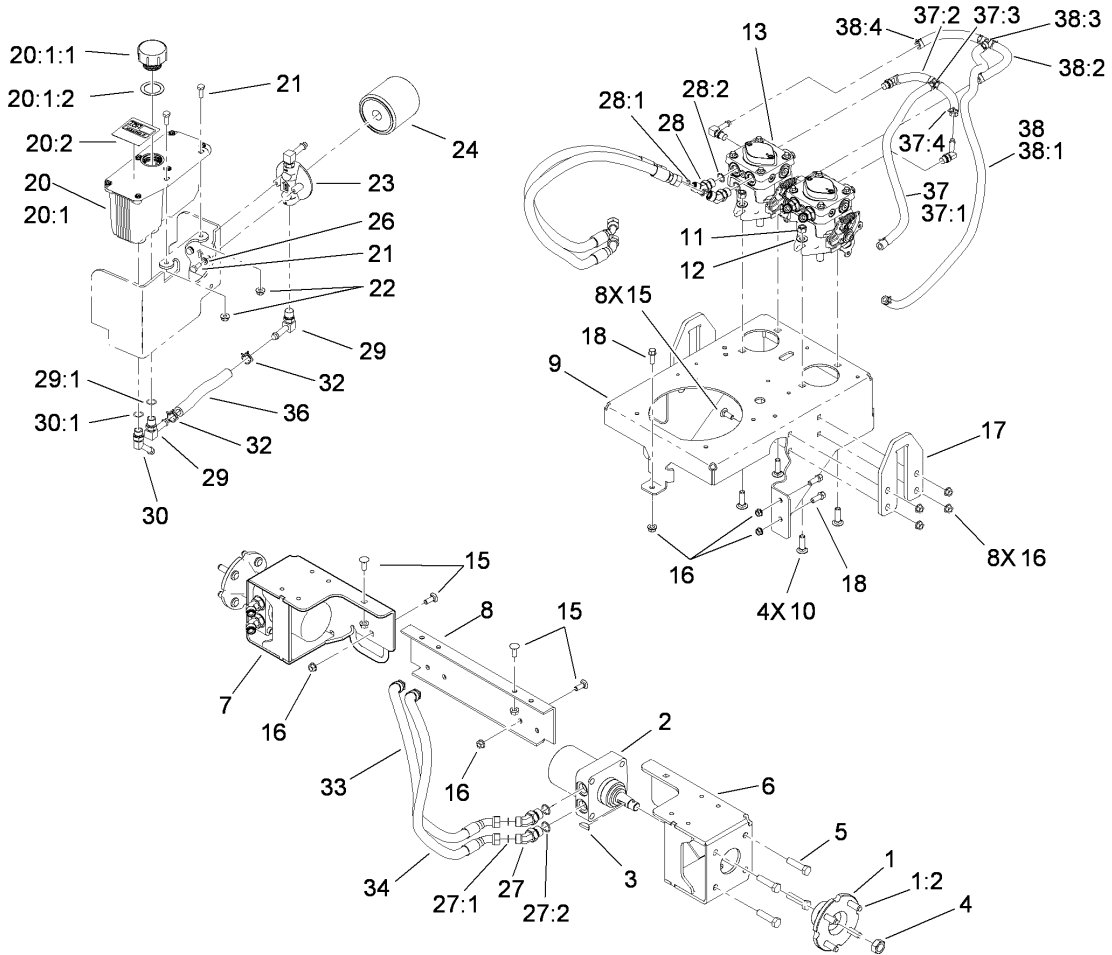
Ref	Part No.	Qty.	Description
21	99-7981	1	Knob-Grip, Soft
22	114-0241	2	Grip-Lever
23	2411-38	2	Joint-Ball
24	3296-27	2	Nut-Lock, NI
25	93-2279	2	Clamp-Cable
26	32144-70	6	Screw-HWHTF
27	114-1966	1	Cable-Control
28	114-1950	1	Cable-Speed
29	1-807533	6	Bolt-CARR
30	3290-148	6	Nut-HF
31	114-1921-01	1	Bar-Cable
32	114-0409	1	HOC Pin ASM
33	2412-87	1	Clamp-Cable
34	2412-120	2	R-Clamp
35	32144-1	2	Screw-Taptite
36	104-7048	1	Cap-Housing
37	104-7050	1	Tube-Manual
38	92-1624	4	Screw-HWH
39	3290-357	3	Nut-HHF, Whiz
40	3256-23	2	Washer-Flat
41	2412-138	1	R-Clamp
42	3296-39	1	Nut-Lock, NI



Lower Control Assembly

Ref	Part No.	Qty.	Description
1	114-5304-01	1	Mount-Linkage, Drive
2	114-1993	1	Lever-Switch
3	114-1999	1	Lever-Switch
4	114-1956	2	Control Fork ASM
5	114-1955	2	Hub-Shoulder
6	114-5291	2	Arm-Control, Pump
7	321-15	2	Screw-HH
8	3256-22	8	Washer-Flat
9	65-8270	1	Washer
10	114-5155-03	1	Arm-Switch, Stop
11	32128-14	2	Nut-Hex, Flange
12	114-5295	2	Rod-Link, Shifter
13	3290-307	6	Pin-Hair
14	322-4	4	Screw-HH
15	3296-29	4	Nut-Lock, NI
16	114-3534	6	Roller
17	114-1912-03	1	Bracket-Shifter
18	106-7297	1	Clamp-Cable
19	49-2040	1	Screw-HWHTF
20	32144-70	5	Screw-HWHTF
21	3256-23	2	Washer-Flat
22	106-2584	1	Spring-Torsion
23	114-1978	1	Pin-Hinge
24	114-5347	1	Arm-Dual, Shifter

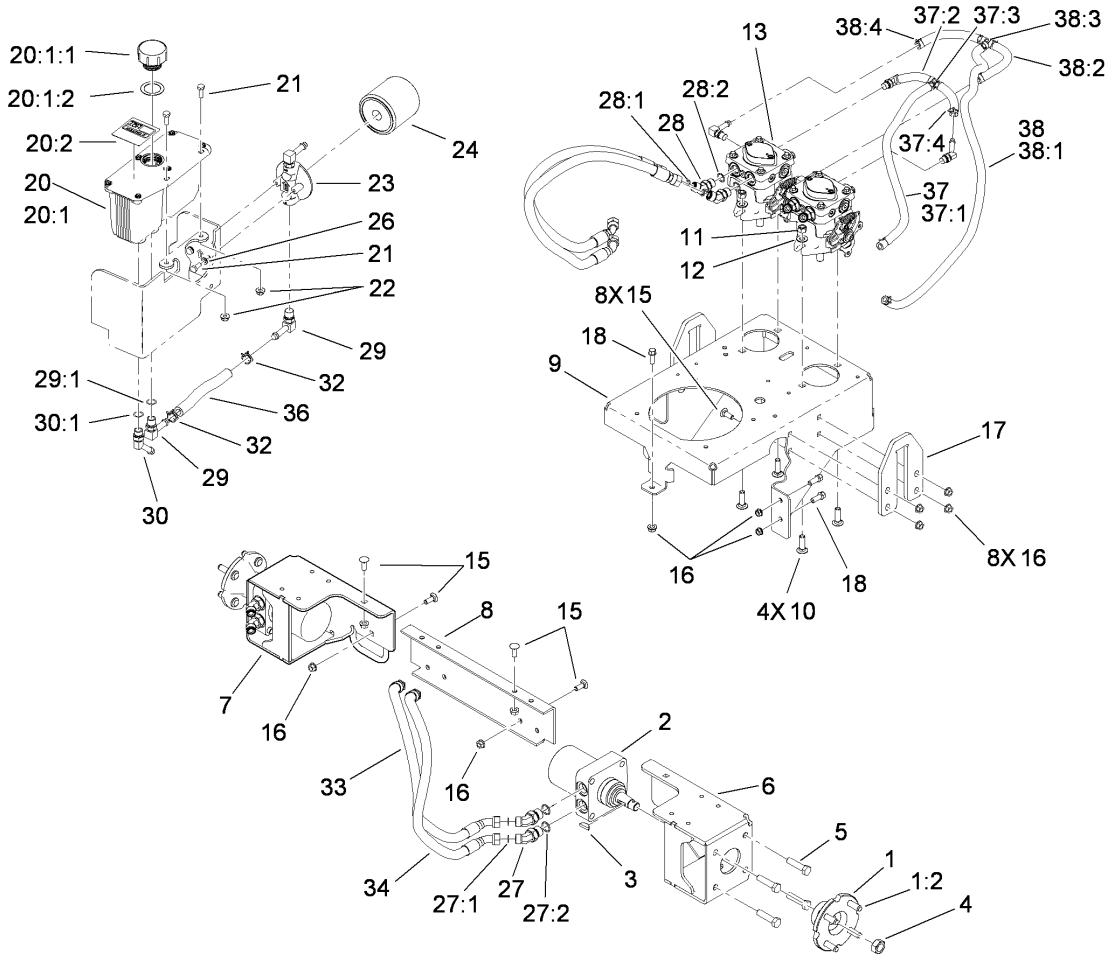
Ref	Part No.	Qty.	Description
25	2411-38	2	Joint-Ball
26	3296-27	2	Nut-Lock, NI
27	114-0433	1	Clip-Spring
28	117-0474	2	Cable-Control, Traction
29	1-633181	1	Plate-Tapped
30	32105-13	2	Screw-HWH
31	3290-378	1	Tie-Cable



Hydraulic Assembly

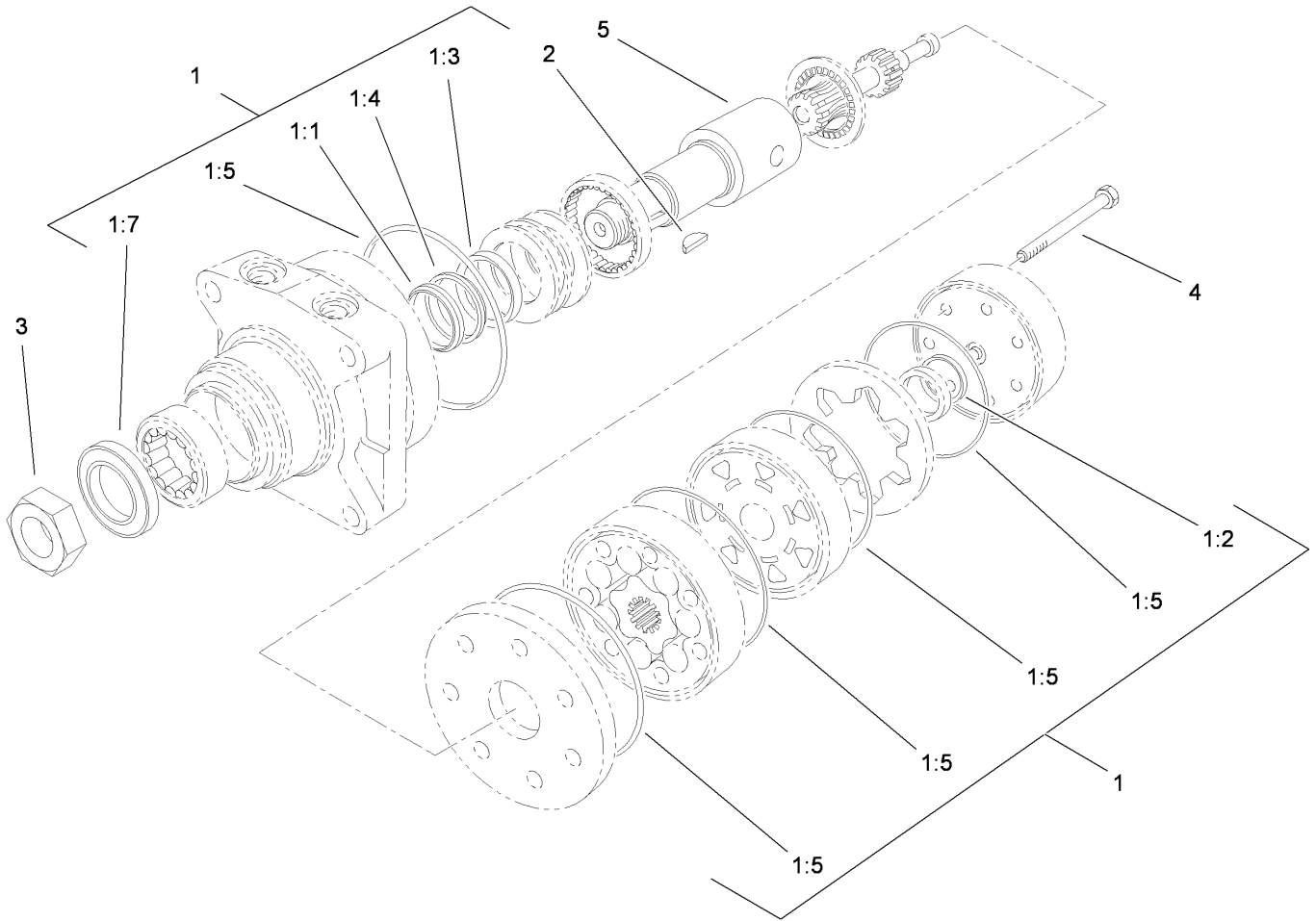
Ref	Part No.	Qty.	Description
1	105-0800	2	Wheel Hub / Stud ASM
1:2	10-6830	4	Stud-Type, Drive
2	114-0549	2	Motor-Wheel
3	3257-8	2	Key-Woodruff
4	85-7310	2	Nut-Motor, Wheel
5	325-8	8	Screw-HH
6	117-3572-01	1	LH Motor Mount ASM
7	117-3571-01	1	RH Motor Mount ASM
8	114-5168-01	1	Mount-Motor, Center
9	114-5166-01	1	Base-Engine
10	3232-3	4	Screw-CARR
11	3296-48	4	Nut-Lock, NI
12	3256-25	4	Washer-Flat
13	117-3597	2	Pump-Hydraulic
15	3231-22	12	Screw-CARR
16	3290-357	17	Nut-HHF, Whiz
17	114-5345-01	2	Plate-Lift
18	92-1624	5	Screw-HWH
20	107-8433	1	HYD Reservoir ASM
20:1		1	Reservoir-HYD
20:1:1	103-1948	1	Cap-Reservoir, HYD
20:1:2	103-1949	1	Gasket-Cap
20:2	115-4212	1	Decal-Warning
21	321-4	4	Screw-HH

Ref	Part No.	Qty.	Description
22	32128-33	2	Nut-HF
23	104-7836	1	Head-Filter
24	1-633750	1	Filter-Oil, HYD
26	3256-22	2	Washer-Flat
27	340-89	4	Fitting-HYD, 45 DEG
27:1	237-30	1	O-Ring
27:2	237-80	1	O-Ring
28	340-101	4	Fitting-HYD, 45 DEG
28:1	237-30	1	O-Ring
28:2	237-79	1	O-Ring
29	100-4887	5	Fitting-Barb
29:1	237-42	1	O-Ring
30	103-1807	3	Elbow-45 DEG
30:1	237-42	1	O-Ring
32	103-1988	2	Clamp-Hose
33	117-0442	2	HYD Hose ASM
34	117-0449	2	HYD Hose ASM
36	117-0459	1	Hose-Hydraulic
37	117-3569	1	Filter Hose ASM
37:1	117-0460	1	Hose-Hydraulic
37:2	117-0458	2	Hose-Hydraulic
37:3	1-603721	2	Fitting-Tee, Hose
37:4	103-1988	6	Clamp-Hose
38	117-3570	1	Tank Hose ASM



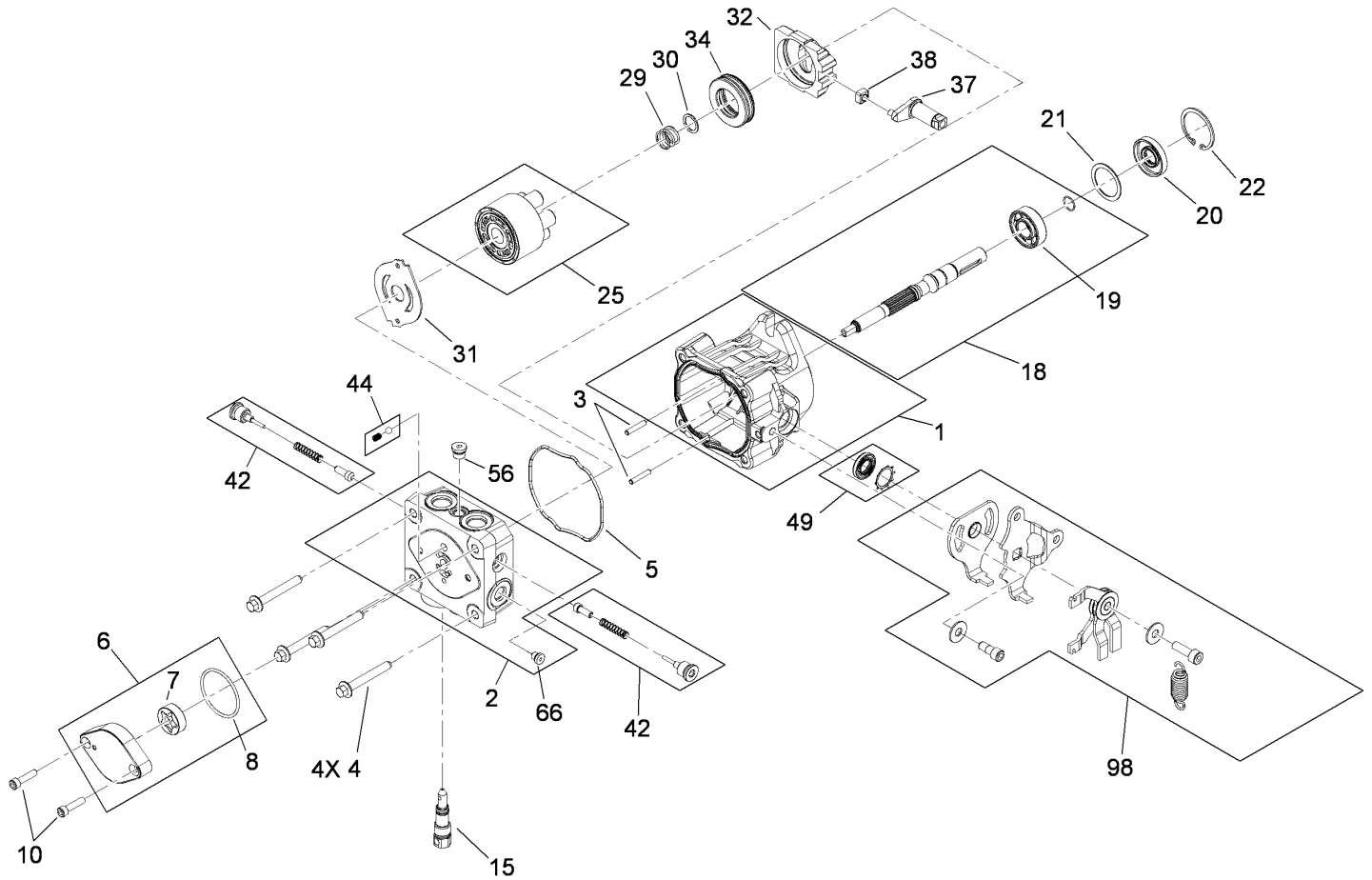
Hydraulic Assembly (continued)

Ref	Part No.	Qty.	Description
38:1	117-0461	1	Hose-Hydraulic
38:2	117-0459	2	Hose-Hydraulic
38:3	1-603721	2	Fitting-Tee, Hose
38:4	103-1988	6	Clamp-Hose



Hydraulic Motor Assembly No. 114-0549

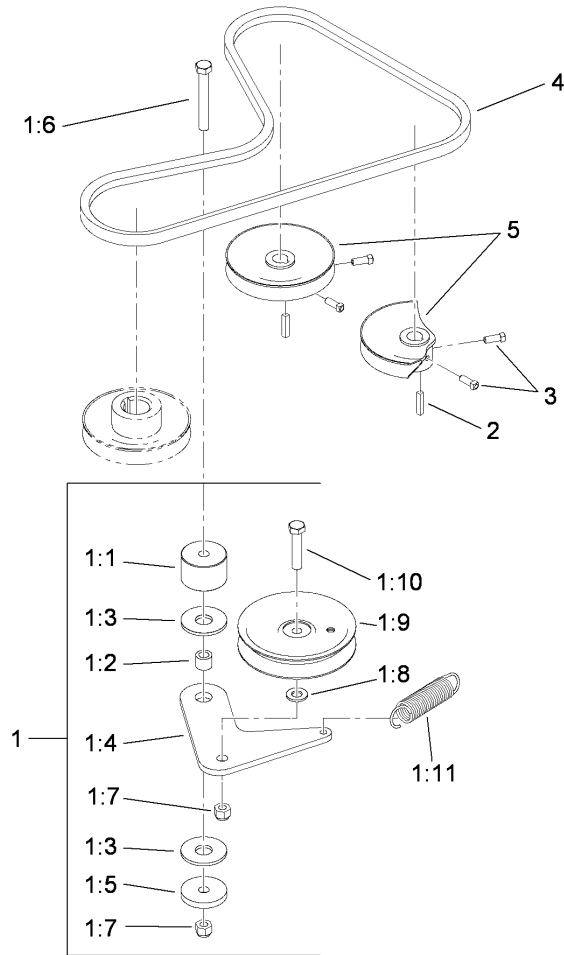
Ref	Part No.	Qty.	Description
1	1-000119	1	Seal Kit
② 1:1		1	Ring-Back Up
② 1:2		1	Seal-Commutator
② 1:3		1	Seal-Shaft (Viton)
② 1:4		1	Washer-Back Up, Steel
② 1:5		5	Ring-Seal (Viton)
② 1:7		1	Seal-Dirt And Water
2	3257-8	1	Key-Woodruff
3	85-7310	1	Nut-Motor, Wheel
4	106-5549	6	Bolt-Special
5	106-8764	1	Shaft-Coupling



Hydraulic Pump Assembly No. 117-3597

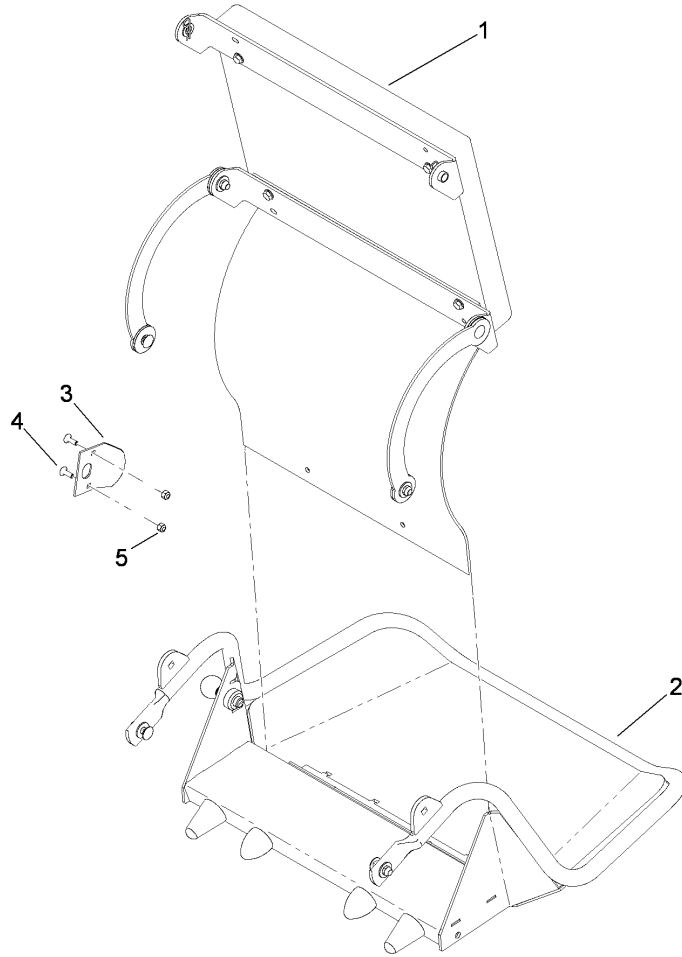
Ref	Part No.	Qty.	Description
1	115-4464	1	Housing Kit
2	106-8752	1	End Cap Kit (W/Poppets)
3	106-8753	2	Pin-Headless, Straight
4	106-8754	4	Bolt-HF
5	106-8755	1	O-Ring
6	106-8756	1	Charge Pump Kit
7	104-2122	1	Gerotor ASM
8	106-8757	1	O-Ring
10	104-2111	2	Capscrew
15	106-8759	1	Bypass Valve Kit
18	103-2664	1	Input Shaft Kit
19	104-5311	1	Bearing-Ball
20	104-5310	1	Seal-Lip
21	104-5308	1	Spacer
22	104-5309	1	Ring-Retaining
25	103-2666	1	Cylinder Block Kit
29	94-1936	1	Spring-Block
30	94-1937	1	Washer-Thrust, Block
31	105-6185	1	Plate-Valve
32	94-1907	1	Swashplate-Variable
34	94-6922	1	Bearing-Thrust
37	115-4458	1	Arm-Trunnion, Tapered Square
38	94-1910	1	Guide-Slot
42	98-3252	2	Valve-Check (W/Poppet)

Ref	Part No.	Qty.	Description
44	106-8760	1	Charge Relief Valve Kit
49	114-8155	1	Trunnion Seal Kit
56	106-8762	1	Plug-HSH
66	106-8763	1	Plug-HSH
98	117-3629	1	Kit-Return
99	105-6184	1	Seal Overhaul Kit



Hydraulic Belt Drive Assembly

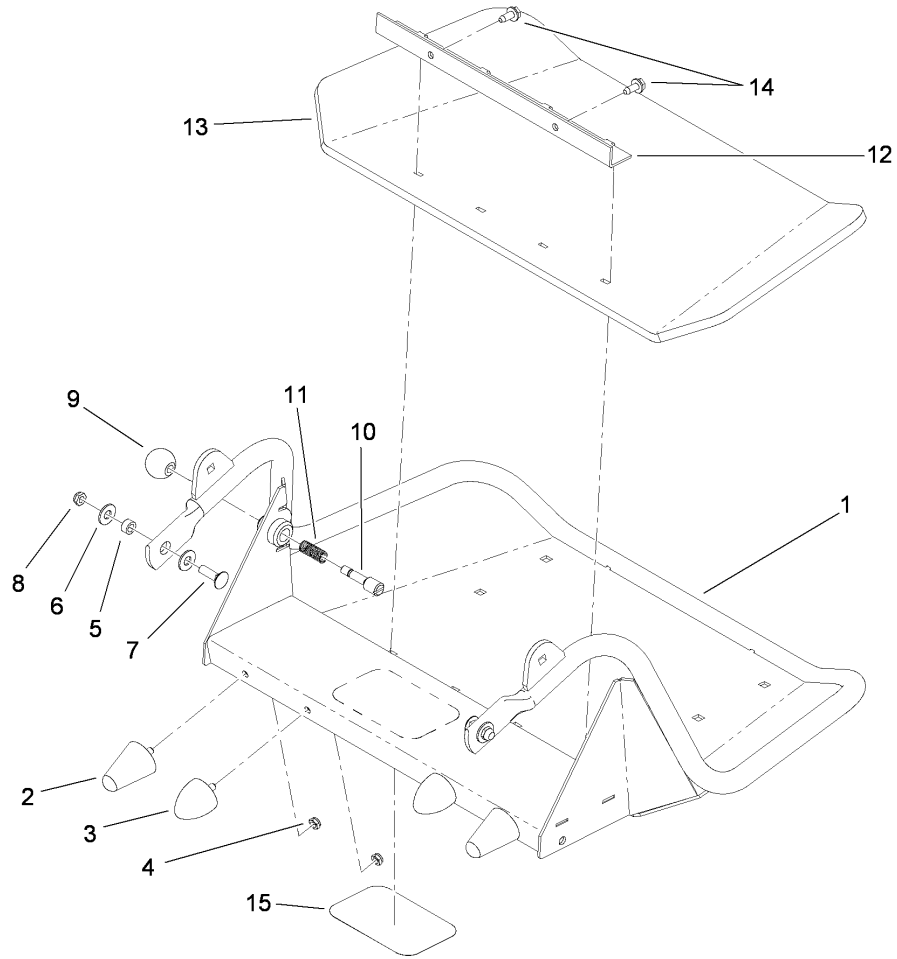
Ref	Part No.	Qty.	Description
② 1		1	Pump Idler Assembly
1:1	117-3568	1	Hub-Idler
1:2	1-413088	1	Bushing-Lever, Lift
1:3	114-0463	2	Washer-Friction, Composite
1:4	117-3622	1	Plate-Idler
1:5	110-9981	1	Washer-Plain
1:6	323-13	1	Screw-HH
1:7	3296-39	2	Nut-Lock, NI
1:8	3256-24	1	Washer-Flat
1:9	93-1622	1	Pulley-Idler
1:10	323-9	1	Screw-HH
1:11	108-4056	1	Spring-Extension
2	1-807272	2	Key
3	3241-5	4	Screw-Set
4	114567	1	Belt-V Lower PTO
5	105-5648	2	Pulley-Pump



Platform Assembly

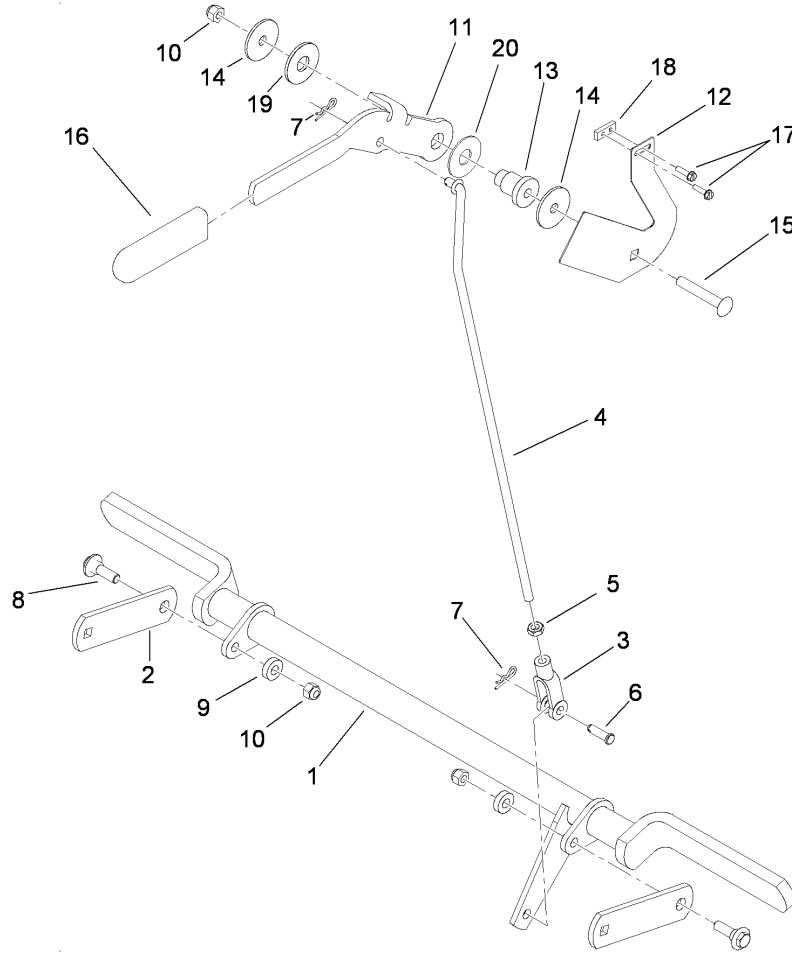
Ref	Part No.	Qty.	Description
1	114-1917	1	Cushion ASM
2	117-0431	1	Platform ASM
3	114-1924	1	Plate-Strike
4	1-807512	2	Bolt-CARR
5	3296-42	2	Nut-Lock, NI

--	--	--	--



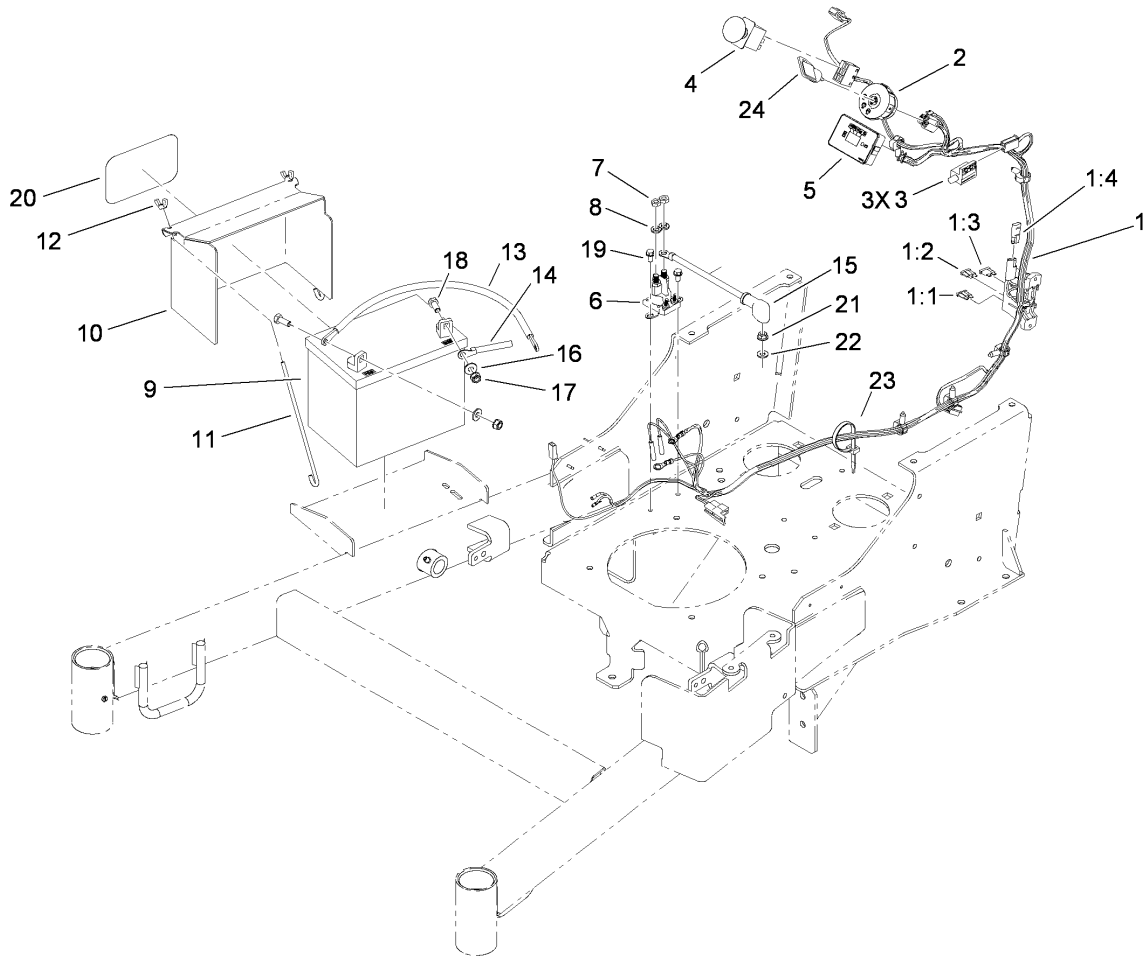
Platform Assembly No. 117-0431

Ref	Part No.	Qty.	Description
1	114-1998-01	1	Platform ASM
2	114-1925	2	Bumper-Rubber
3	114-1926	2	Bumper-Rubber
4	3296-47	4	Nut-Lock, NI
5	111044	2	Spacer
6	3256-4	4	Washer-Flat
7	3231-25	2	Screw-CARR
8	3296-59	2	Nut-Lock, NI
9	1-603175	1	Knob-Ball
10	114-5288	1	Pin-Latch
11	114-5348	1	Spring
12	114-1920-03	1	Clamp-Shield
13	114-5349	1	Mat-Foot
14	32144-70	2	Screw-HWHTF
15	67-1300	1	Decal



Parking Brake Assembly

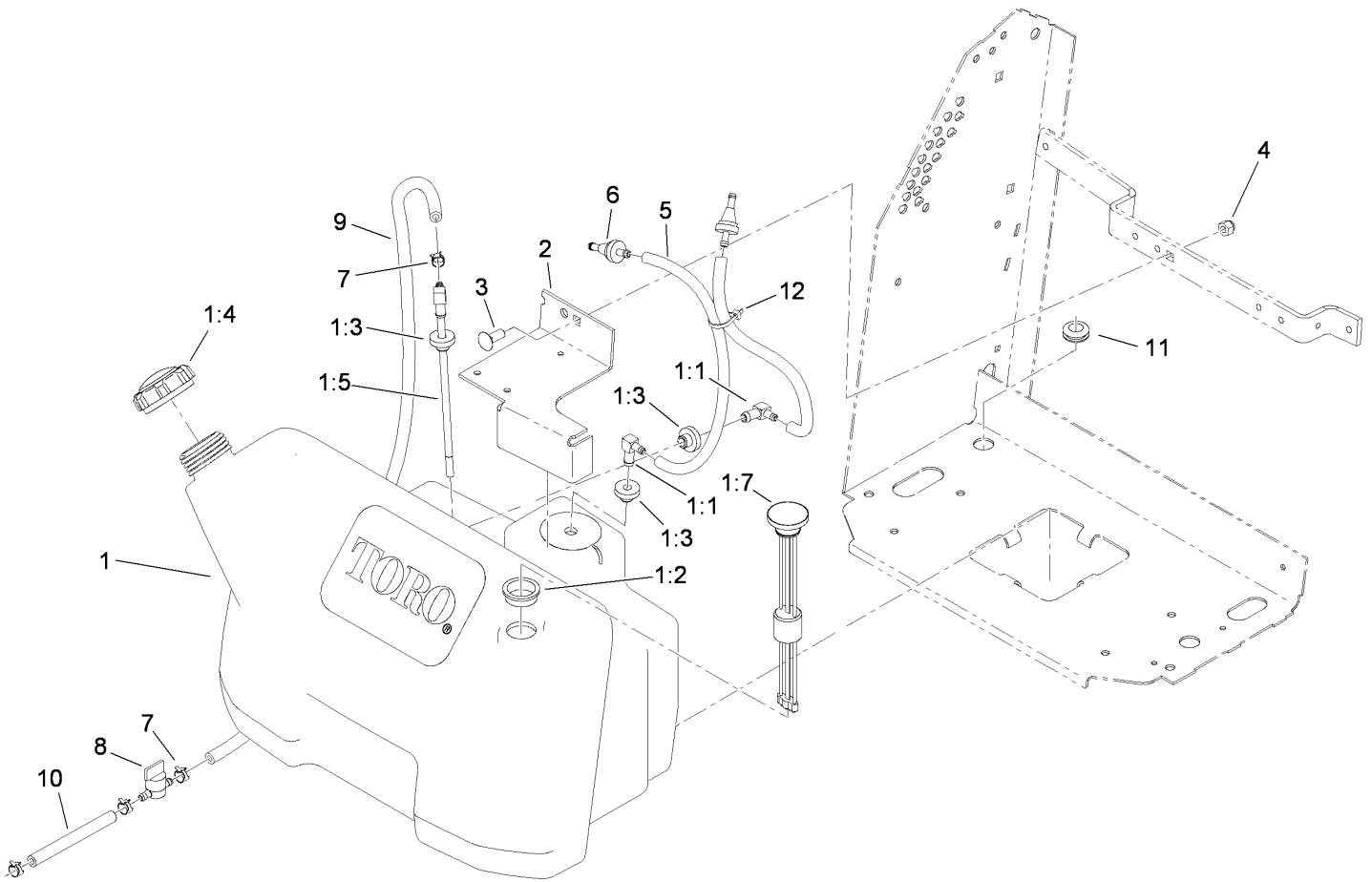
Ref	Part No.	Qty.	Description
1	114-5187-03	1	Brake ASM
2	114-5186-01	2	Support-Brake
3	1-633131	1	Yoke-Linkage, Brake
4	114-5196	1	Rod-Brake
5	3220-3	1	Nut-HJ
6	283-2	1	Pin-Clevis
7	3290-307	2	Pin-Hair
8	614672	2	Bolt-Shoulder
9	5-0652	2	Spacer
10	3296-39	3	Nut-Lock, NI
11	114-5258-03	1	Lever-Brake
12	117-0452-03	1	Plate-Switch, Brake
13	106-3214	1	Mount-Pulley
14	63-7400	2	Washer-Rebound
15	3231-44	1	Screw-CARR
16	1-633268	1	Grip-Lever, Brake
17	32105-13	2	Screw-HWH
18	1-633181	1	Plate-Tapped
19	114-0463	1	Washer-Friction, Composite
20	3256-7	1	Washer-Flat



Electrical Assembly

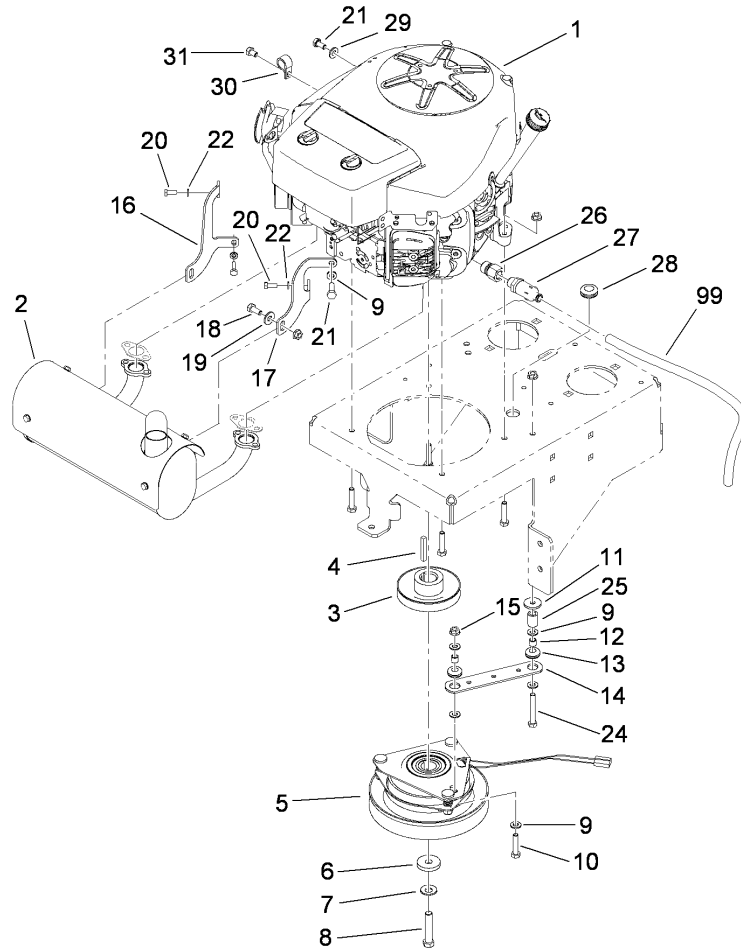
Ref	Part No.	Qty.	Description
1	114-3536	1	Harness-Wire
1:1	109103	1	Fuse-30 Amp
1:2	109102	1	Fuse-25 Amp
1:3	218-578	1	Fuse-10 Amp
1:4	116-0053	1	Cap-Plug
2	110-6764	1	Switch-Ignition
3	1-513152	3	Switch-Closed, Normally
4	114-0279	1	Switch-PTO
5	115-4180	1	Module-Meter, Hour
6	1-513075	1	Switch-Solenoid
7	3220-2	2	Nut-Jam
8	3253-4	2	Washer-Lock
9	104-2491	1	Battery
10	117-0543-01	1	Cover-Battery
11	1-633651	2	Bolt-Holddown
12	1-543792	2	Wingnut
13	114-9404	1	Cable-Battery, Positive
14	105-0836	1	Cable-Battery, Black
15	106-8268	1	Cable-Battery, Red
16	3256-23	2	Washer-Flat
17	109-5715	2	Nut-HHF, Smooth
18	322-3	2	Screw-HH
19	32144-4	2	Screw-HWH
20	68-3640	1	Decal

Ref	Part No.	Qty.	Description
21	3256-22	1	Washer-Flat
22	32128-33	1	Nut-HF
23	3290-378	1	Tie-Cable
24	63-8360	1	Key-Ignition



Fuel Tank Assembly

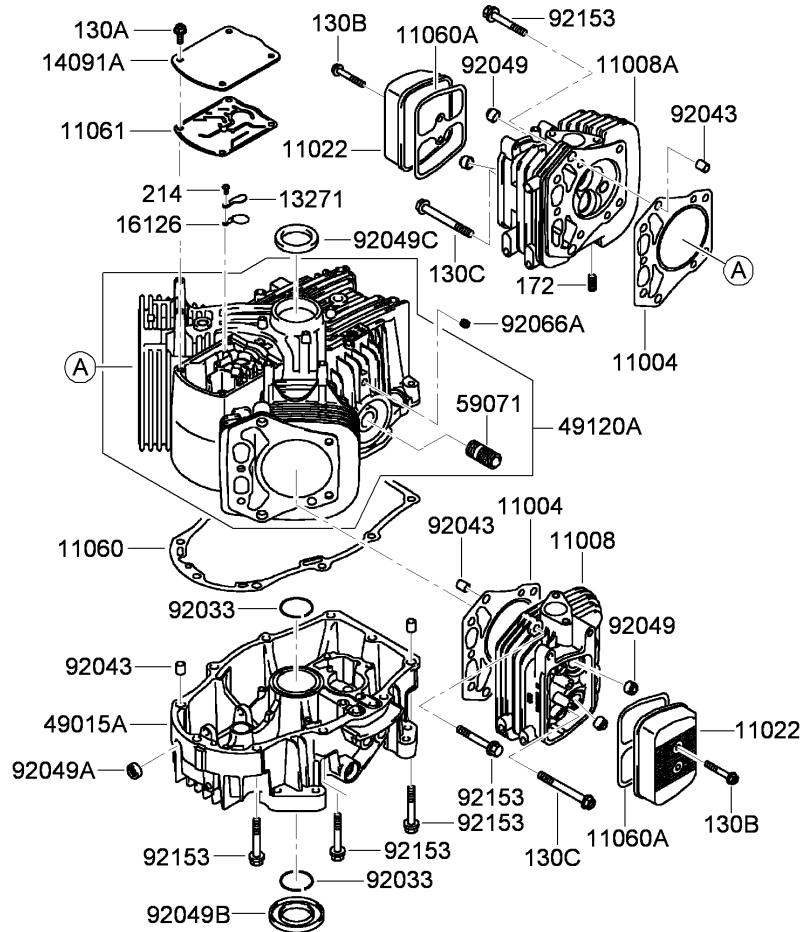
Ref	Part No.	Qty.	Description
1	117-9672	1	Tank ASM
1:1	1-643172	2	Elbow-90 DEG
1:2	95-8972	1	Grommet
1:3	46-6560	3	Bushing
1:4	109-9619	1	Cap-Fuel
1:5	114-1928	1	Fitting-Fuel, Screen Tube
1:7	99-7262	1	Gauge-Fuel
2	114-1952-01	1	Support-Tank
3	3231-2	1	Screw-CARR
4	3296-39	1	Nut-Lock, NI
5	109-0294	2	Hose-Fuel
6	71-9280	2	Filter-Fuel
7	2412-98	4	Clamp
8	1-603770	1	Valve-Fuel
9	109-3491	1	Hose-Fuel
10	109-0678	1	Hose-Fuel
11	112-7069	1	Grommet
12	3290-378	1	Tie-Cable



Engine Assembly

Ref	Part No.	Qty.	Description
1	117-3577	1	Engine-Kawasaki, FH680V-Gs13
2	117-0416	1	Muffler-Engine
3	112-7067	1	Pulley
4	608006	1	Key-Square
5	105-2635	1	Clutch / Brake
6	107-4136	1	Washer
7	1-603610	1	Washer-Spring
8	3212-9	1	Screw-HH
9	3256-23	6	Washer-Flat
10	322-7	5	Screw-HH
11	1-613235	1	Washer
12	1-633545	2	Spacer
13	1-633630	2	Grommet-Brake
14	1-633543-03	1	Strap-Clutch, Brake
15	32128-20	8	Nut-HF
16	103-2993-03	1	Bracket-Muffler, LH
17	103-2994-03	1	Bracket-Muffler, RH
18	322-3	2	Screw-HH
19	3256-3	2	Washer-Flat
20	33113-016	3	Screw-HH
21	33114-016	2	Screw-HH
22	3256-22	3	Washer-Flat
24	322-11	1	Screw-HH
25	104-6373	1	Tube-Retainer

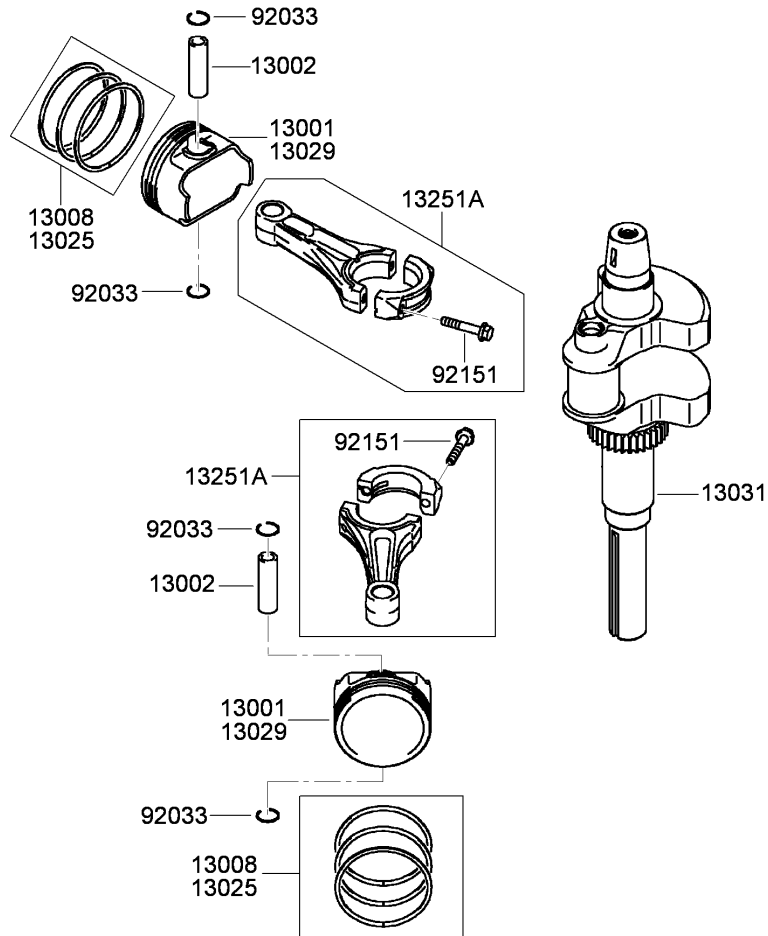
Ref	Part No.	Qty.	Description
26	103-1966	1	Adapter
27	92-6877	1	Valve-Drain, Oil
28	112-7069	1	Grommet
29	33094-00	1	Washer-Plain
30	2412-87	1	Clamp-Cable
31	46-8090	1	Screw-Plastite
99	103-1964	1	Hose-Drain, Oil



Cylinder and Crankcase Assembly Kawasaki FH680V-GS13

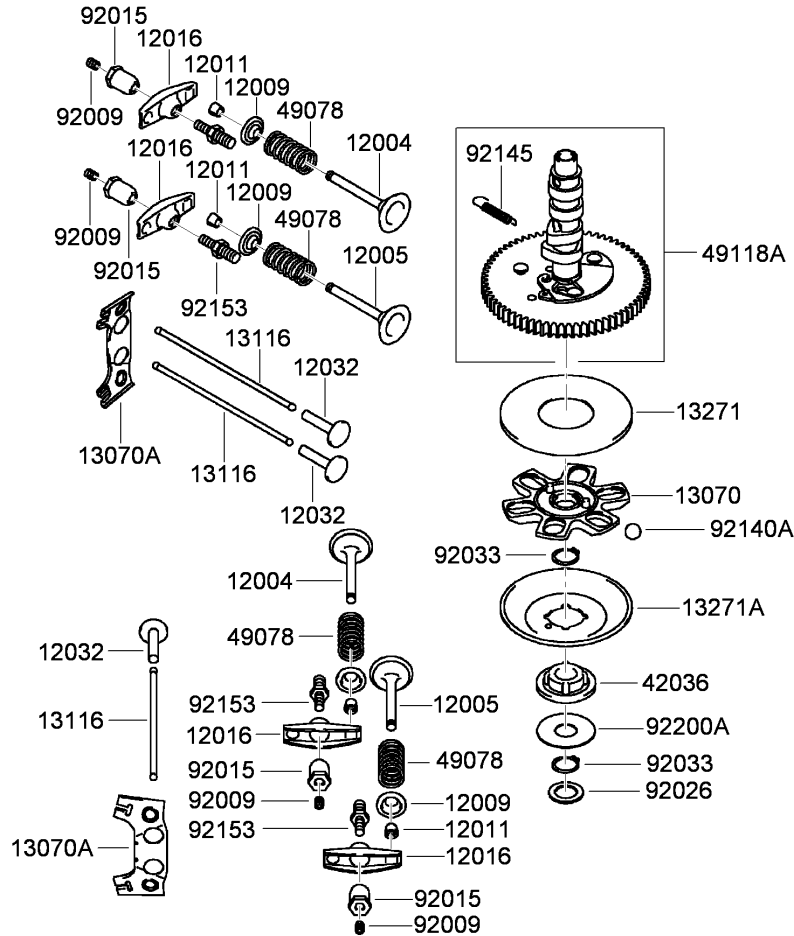
Ref	Part No.	Qty.	Description
● 130A	130AA0616	4	Bolt-Flanged (6X16)
● 130B	130AA0640	4	Bolt-Flanged (6X40)
● 130C	130CA0875	2	Bolt-Flanged (8X75)
● 172	172BA0818	4	Bolt-Stud (8X18)
● 214	214AA0408	1	Screw-Pan +- (4X8)
● 11004	11004-7006	2	Gasket-Head
● 11008	11008-7023	1	Head-Cylinder, No.2
● 11008A	11008-7024	1	Head-Cylinder, No.1
● 11022	11022-7002	2	Case-Rocker
● 11060	11060-7012	1	Gasket-Cover, Crankcase
● 11060A	11060-7013	2	Gasket-Case, Rocker
● 11061	11061-7079	1	Gasket-Breather
● 13271	13271-7006	1	Plate
● 14091A	14091-7063	1	Cover
● 16126	16126-7001	1	Valve
● 49015A	49015-7064	1	Cover-Crankcase
● 49120A	49120-7092	1	Crankcase
● 59071	59071-2079	1	Joint
● 92033	92033-7004	2	Ring-Snap
● 92043	92043-7001	6	Pin
● 92049	92049-7001	4	Seal-Oil, R V C2 (6X11X10.2)
● 92049A	92049-7005	1	Seal-Oil, S O (8X14X5 H S)
● 92049B	92049-7011	1	Seal-Oil, S D (35X62X8 L H S)
● 92049C	92049-7014	1	Seal-Oil, S D (35X52X7 R H S)

Ref	Part No.	Qty.	Description
● 92066A	92066-7026	1	Plug
● 92153	92153-7054	18	Bolt (8X50)



Piston and Crankshaft Assembly Kawasaki FH680V-GS13

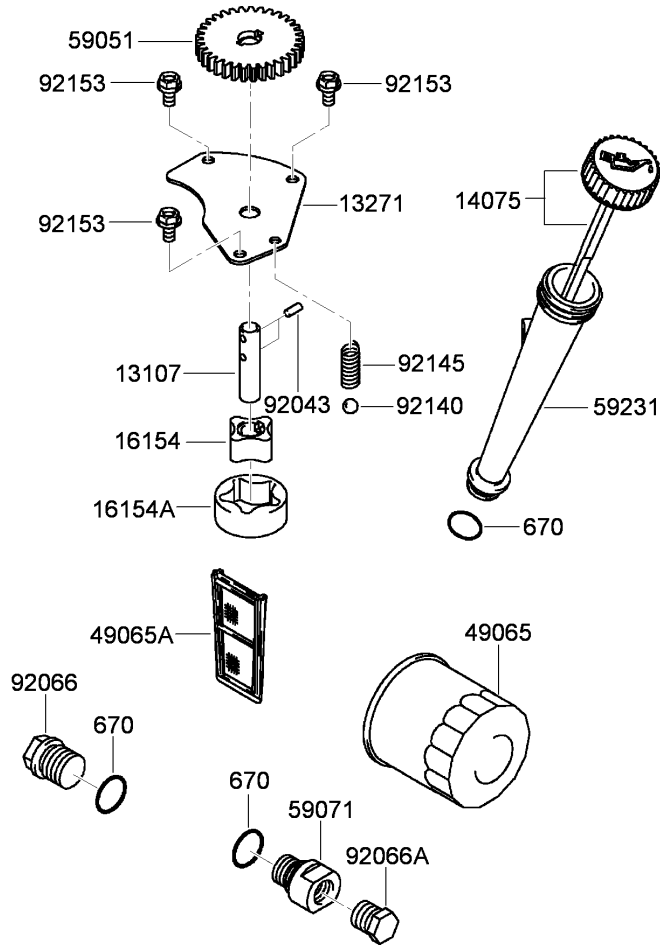
Ref	Part No.	Qty.	Description				
① 13001	13001-7007	2	Piston-Engine				
① 13002	13002-7001	2	Pin-Piston				
① 13008	13008-6058	2	Piston Ring Set				
① 13025	13025-7002	1	Piston Ring Set (L, 0.50)				
① 13029	13029-7003	1	Piston-Engine (L, 0.50)				
① 13031	13031-7048	1	Crankshaft				
① 13251A	13251-7016	2	Connecting Rod ASM				
① 92033	92033-7002	4	Ring-Snap				
① 92151	92151-7017	4	Bolt (6X35)				



Valve and Camshaft Assembly Kawasaki FH680V-GS13

Ref	Part No.	Qty.	Description
③ 12004	12004-7002	2	Valve-Intake
③ 12005	12005-7004	2	Valve-Exhaust
③ 12009	12009-7001	4	Retainer-Spring, Valve
③ 12011	12011-2056	8	Collet
③ 12016	12016-7007	4	Arm-Rocker
③ 12032	12032-7001	4	Tappet
③ 13070	13070-7004	1	Guide
③ 13070A	13070-7007	2	Guide
③ 13116	13116-7002	4	Rod-Push
③ 13271	13271-7007	1	Plate
③ 13271A	13271-7021	1	Plate-Governor
③ 42036	42036-7010	1	Sleeve
③ 49078	49078-7002	4	Spring-Valve, Engine (Intake)
③ 49118A	49118-7017	1	Camshaft
③ 92009	92009-2341	4	Screw
③ 92015	92015-2253	4	Nut
③ 92026	92026-7015	1	Spacer (16.3X25X1.37)
③ 92033	92033-7001	2	Ring-Snap
③ 92140A	92140-7005	6	Ball
③ 92145	92145-7001	1	Spring
③ 92153	92153-7019	4	Bolt
③ 92200A	92200-7009	1	Washer (16X42X0.91)

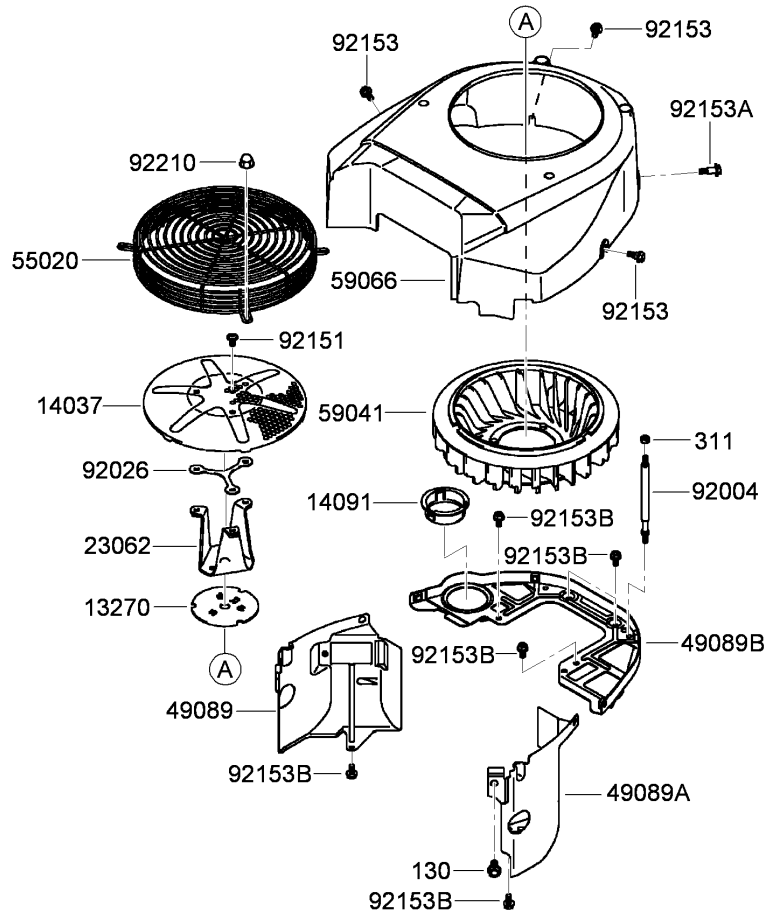
--	--	--	--



Lubrication Equipment Assembly Kawasaki FH680V-GS13

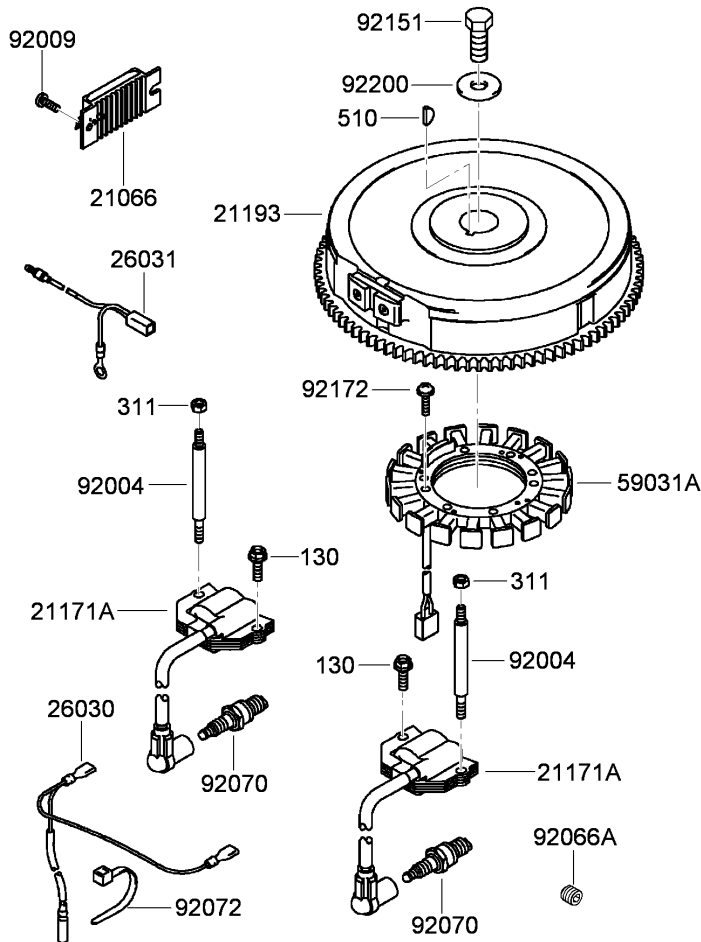
Ref	Part No.	Qty.	Description
③670	670D2016	3	O-Ring (16Mm)
③13107	13107-7009	1	Shaft
③13271	13271-7005	1	Plate
③14075	14075-7008	1	Cap ASM
③16154	16154-7007	1	Rotor-Pump (In)
③16154A	16154-7008	1	Rotor-Pump (Out)
③49065	49065-2078	1	Filter-Oil
③49065A	49065-7003	1	Filter-Oil
③59051	59051-7011	1	Gear-Spur
③59071	59071-7004	1	Joint
③59231	59231-7006	1	Filler
③92043	92043-7003	2	Pin
③92066	92066-7003	1	Plug
③92066A	92066-7006	1	Plug
③92140	92140-7003	1	Ball
③92145	92145-7002	1	Spring
92153	92153-7043	3	Bolt (6X12)

--	--	--	--



Cooling Equipment Assembly Kawasaki FH680V-GS13

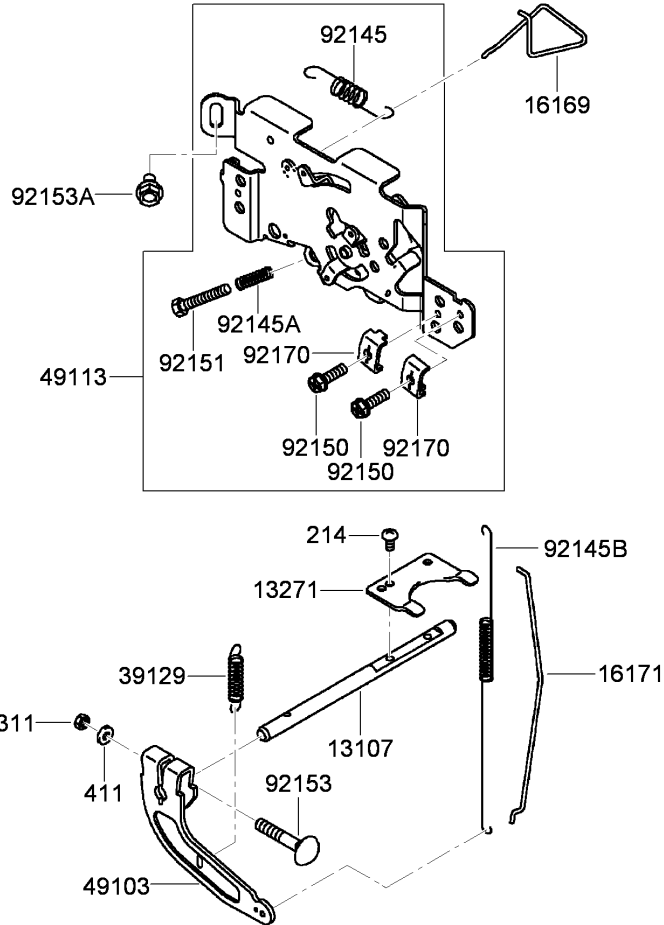
Ref	Part No.	Qty.	Description
● 130	130AA0816	1	Bolt-Flanged (8X16)
● 311	311AA0600	2	Nut-Hex (6Mm)
● 13270	13270-7007	1	Plate
● 14037	14037-7008-9H	1	Screen
● 14091	14091-7002	1	Cover
● 23062	23062-7005	1	Bracket
● 49089	49089-7004	1	Shroud-Engine
● 49089A	49089-7005	1	Shroud-Engine
● 49089B	49089-7049	1	Shroud-Engine
● 55020	55020-7007	1	Guard
● 59041	59041-7003	1	Fan
● 59066	59066-7004	1	Housing-Fan
● 92004	92004-7006	2	Stud
● 92026	92026-7007	1	Spacer
● 92151	92151-7012	3	Bolt (6X12)
● 92153	92153-7007	3	Bolt
● 92153A	92153-7008	1	Bolt
● 92153B	92153-7043	6	Bolt (6X12)
● 92210	92210-0003	4	Nut



Electric Equipment Assembly Kawasaki FH680V-GS13

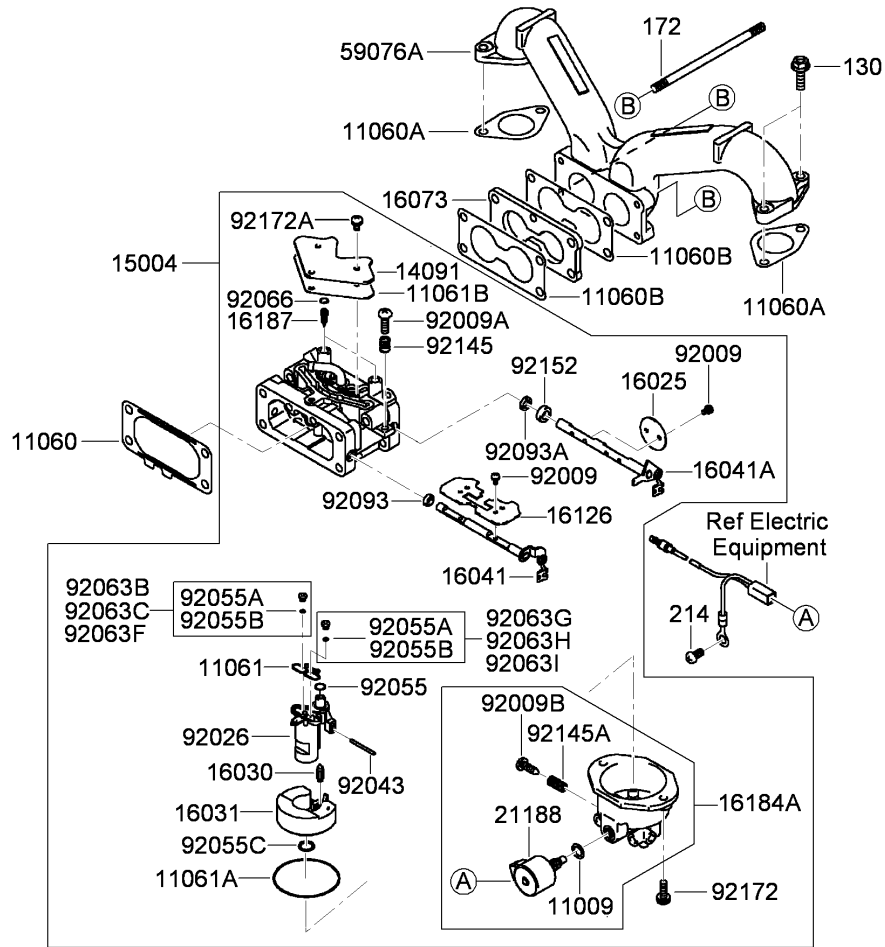
Ref	Part No.	Qty.	Description
③130	130AA0620	2	Bolt-Flanged (6X20)
③311	311AA0600	2	Nut-Hex (6Mm)
③510	510A5100	1	Key-Woodruff
③21066	21066-7011	1	Regulator-Voltage
③21171A	21171-7039	2	Ignition Coil ASM
③21193	21193-7019	1	Flywheel ASM
③26030	26030-7002	1	Harness
③26031	26031-7003	1	Harness
③59031A	59031-7014	1	Coil-Charging
③92004	92004-7009	2	Stud
③92009	92009-2308	1	Screw
③92066A	92066-7026	1	Plug
③92070	92070-7004	2	Sparkplug (B P R4 E S (N G K) Solid)
③92072	92072-7003	3	Band
③92151	92151-2097	1	Bolt (12X30)
③92172	92172-7018	4	Screw (5X20)
③92200	92200-7002	1	Washer

--	--	--	--



Control Equipment Assembly Kawasaki FH680V-GS13

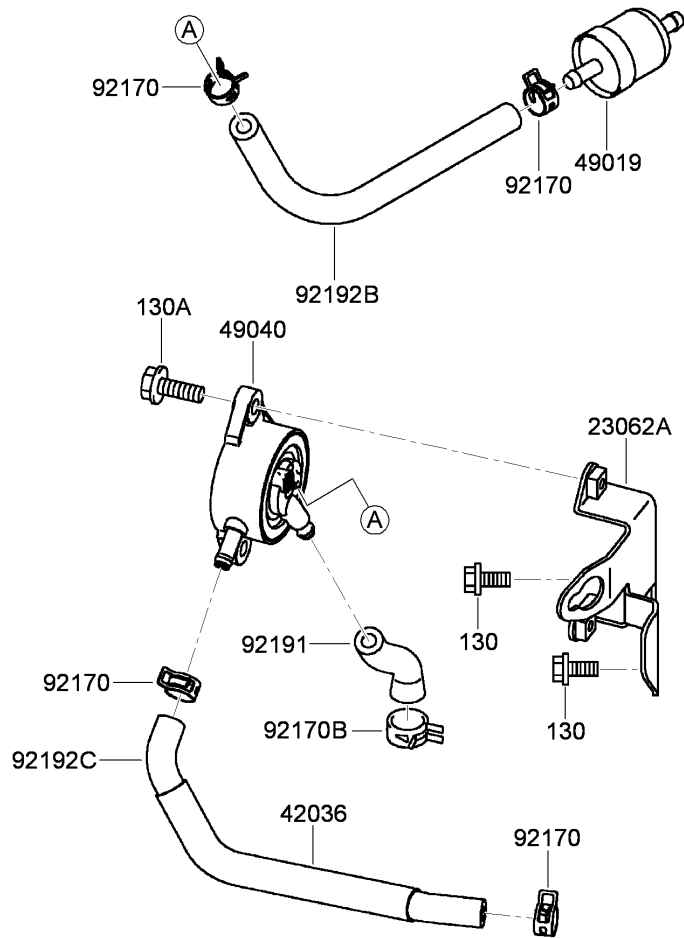
Ref	Part No.	Qty.	Description				
②214	214AA0408	2	Screw-Pan +- (4X8)				
③311	311AA0600	1	Nut-Hex (6Mm)				
④411	411AA0600	1	Washer-Plain (6Mm)				
⑤13107	13107-7013	1	Shaft				
⑥13271	13271-7032	1	Plate				
⑦16169	16169-7006	1	Link-Choke				
⑧16171	16171-7004	1	Link				
⑨39129	39129-7004	1	Spring-Governor				
⑩49103	49103-7004	1	Arm-Governor				
⑪49113	49113-7017	1	Panel-Control				
⑫92145	92145-7004	1	Spring				
⑬92145A	92145-7005	1	Spring				
⑭92145B	92145-7034	1	Spring				
⑮92150	92150-2182	2	Bolt (5X18)				
⑯92151	92151-7014	1	Bolt (5X30)				
⑰92153	92153-7033	1	Bolt (6X35)				
⑱92153A	92153-7043	2	Bolt (6X12)				
⑲92170	92170-7001	2	Clamp				



Carburetor Assembly Kawasaki FH680V-GS13

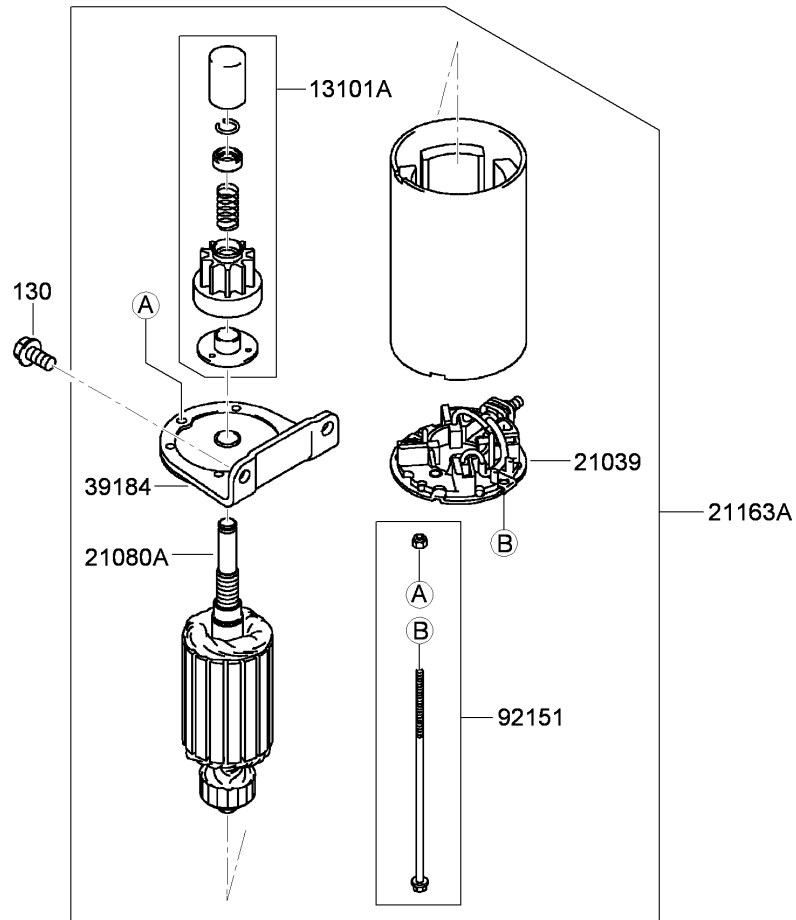
Ref	Part No.	Qty.	Description
③130	130AA0620	4	Bolt-Flanged (6X20)
③172	172BA06105	2	Bolt-Stud (6X105)
③214	214AA0510	1	Screw-Pan +- (5X10)
③11009	11009-2056	1	Gasket
③11060	11060-7009	1	Gasket-Filter, Air
③11060A	11060-7011	2	Gasket-Manifold
③11060B	11060-7024	2	Gasket-Carburetor
③11061	11061-7037	1	Gasket
③11061A	11061-7038	1	Gasket
③11061B	11061-7039	1	Gasket
③14091	14091-7031	1	Cover
③15004	15004-7025	1	Carburetor ASM
③16025	16025-7003	2	Valve-Throttle
③16030	16030-7004	1	Valve-Float
③16031	16031-7003	1	Float
③16041	16041-7021	1	Shaft-Carburetor
③16041A	16041-7024	1	Shaft-Carburetor
③16073	16073-7005	1	Insulator
③16126	16126-7015	1	Valve
③16184A	16184-7022	1	Float Chamber ASM
③16187	16187-7002	2	Needle-Jet
③21188	21188-7003	1	Solenoid
③59076A	59076-7011	1	Manifold-Intake
③92009	92009-7003	6	Screw

Ref	Part No.	Qty.	Description
③92009A	92009-7004	1	Screw
③92009B	92009-7006	1	Screw-Drain
③92026	92026-7011	1	Spacer
③92043	92043-7014	1	Pin
③92055	92055-7012	1	O-Ring
③92055A	92055-7013	1	O-Ring
③92055B	92055-7013	2	O-Ring
③92055C	92055-7016	1	O-Ring
③92063B	92063-7075	1	Jet-Main, No.101 (3280 Ft)
③92063C	92063-7076	1	Jet-Main, No.098 (6560 Ft)
③92063F	92063-7082	1	Jet-Main (No.104)
③92063G	92063-7119	1	Jet-Main (No.106)
③92063H	92063-7133	1	Jet-Main, No.103 (3280 Ft)
③92063I	92063-7134	1	Jet-Main, No.100 (6560Ft)
③92066	92066-7009	2	Plug-Expansion
③92093	92093-7001	1	Seal (I D 5.9)
③92093A	92093-7002	1	Seal (I D 6.9)
③92145	92145-7010	1	Spring
③92145A	92145-7011	1	Spring
③92152	92152-7005	1	Collar
③92172	92172-7005	2	Screw (M5)
③92172A	92172-7006	3	Screw (M4)



Fuel Tank and Valve Assembly Kawasaki FH680V-GS13

Ref	Part No.	Qty.	Description				
③ 130	130AA0616	2	Bolt-Flanged (6X16)				
③ 130A	130AA0620	2	Bolt-Flanged (6X20)				
③ 23062A	23062-7019-9H	1	Bracket				
③ 42036	42036-7008	1	Sleeve				
③ 49019	49019-7001	1	Filter-Fuel				
③ 49040	49040-7001	1	Pump-Fuel				
③ 92170	92170-2009	4	Clamp				
③ 92170B	92170-7003	1	Clamp				
③ 92191	92191-7027	1	Tube				
③ 92192B	92192-7135	1	Tube (6.35X12.7X160)				
③ 92192C	92192-7138	1	Tube (6.35X12.7X200)				



Starter Assembly Kawasaki FH680V-GS13

Ref	Part No.	Qty.	Description
● 130	130AA0816	2	Bolt-Flanged (8X16)
● 13101A	13101-7008	1	Gear ASM
● 21039	21039-7004	1	Brush
● 21080A	21080-7005	1	Armature
● 21163A	21163-7029	1	Starter-Electric
● 39184	39184-7004	1	Bracket ASM
● 92151	92151-7013	1	Bolt

56033



56080A



**Label Assembly
Kawasaki FH680V-GS13**

Ref	Part No.	Qty.	Description				
● 56033	56033-7001	1	Label-Manual				
● 56080A	56080-7043	1	Label-Brand				

Attachments and Accessories

For 74568 - GrandStand Mower, With 48in TURBO FORCE Cutting Unit

Product Name	Model/Part
Blade-Hi Flow, 16.5 Inch (6 Pack)	110-0414
Blade-Lo Flow, 16.5 Inch (6 Pack)	110-0415
Blade-Recycler, 16.5 Inch (6 Pack)	110-0416
Blade-Atomic, 16.5 Inch (6 Pack)	110-0417
Blade-Mid Flow, 16.5 Inch (6 Pack)	110-0418

NOTES

NOTES

