

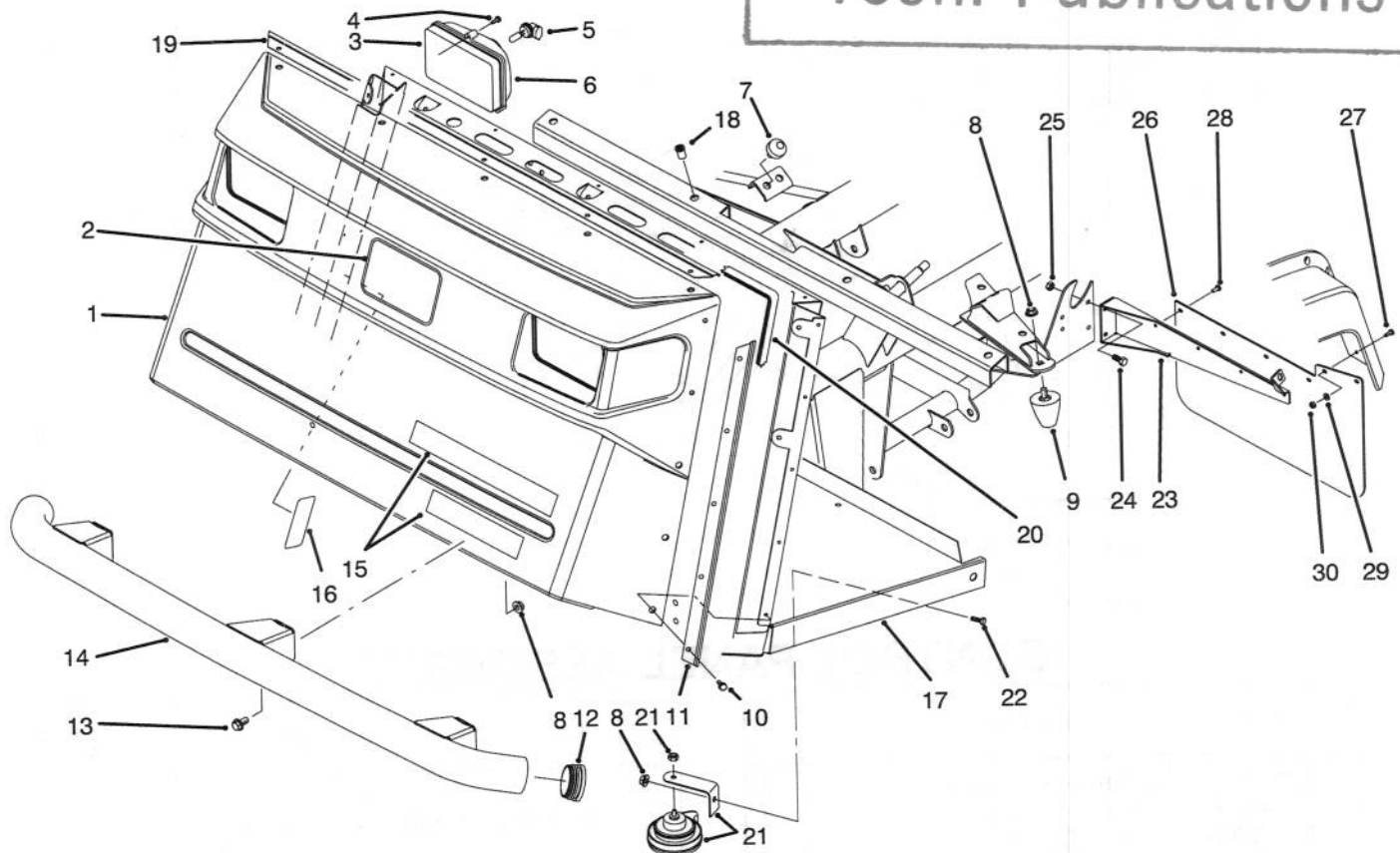


MODEL NO. 07205-50001 &amp; UP

PARTS  
CATALOG

WORKMAN 3300D

Tech. Publications



T-1581

## FRONT BUMPER & HOOD ASSEMBLY

Ref. No.	Part No.	Description	No. Used
1	87-0710	Hood	1
2	62-5550	Decal - TORO	1
3	87-2120	Headlight Assembly (Incl. Ref. #5-6)	2
4	32104-88	Screw	6
5	87-6320	Bulb - Headlight	2
6	87-6330	Lens - Headlight	2
7	87-2440	Bumper	2
8	3290-357	Nut - Flange Lock	9
9	26-0071	Bumper	2
10	87-6620	Screw	15
11	87-8120	Bracket - Trim Side	2
12	2410-42	Cap - Front Bumper	2
13	3234-1	Screw - Hex. Flange Hd.	6
14	87-4070	Bumper - Front	1
15	87-6070	Decal - Workman 3300D	1
†16	87-9500	Decal - Load Rating	1

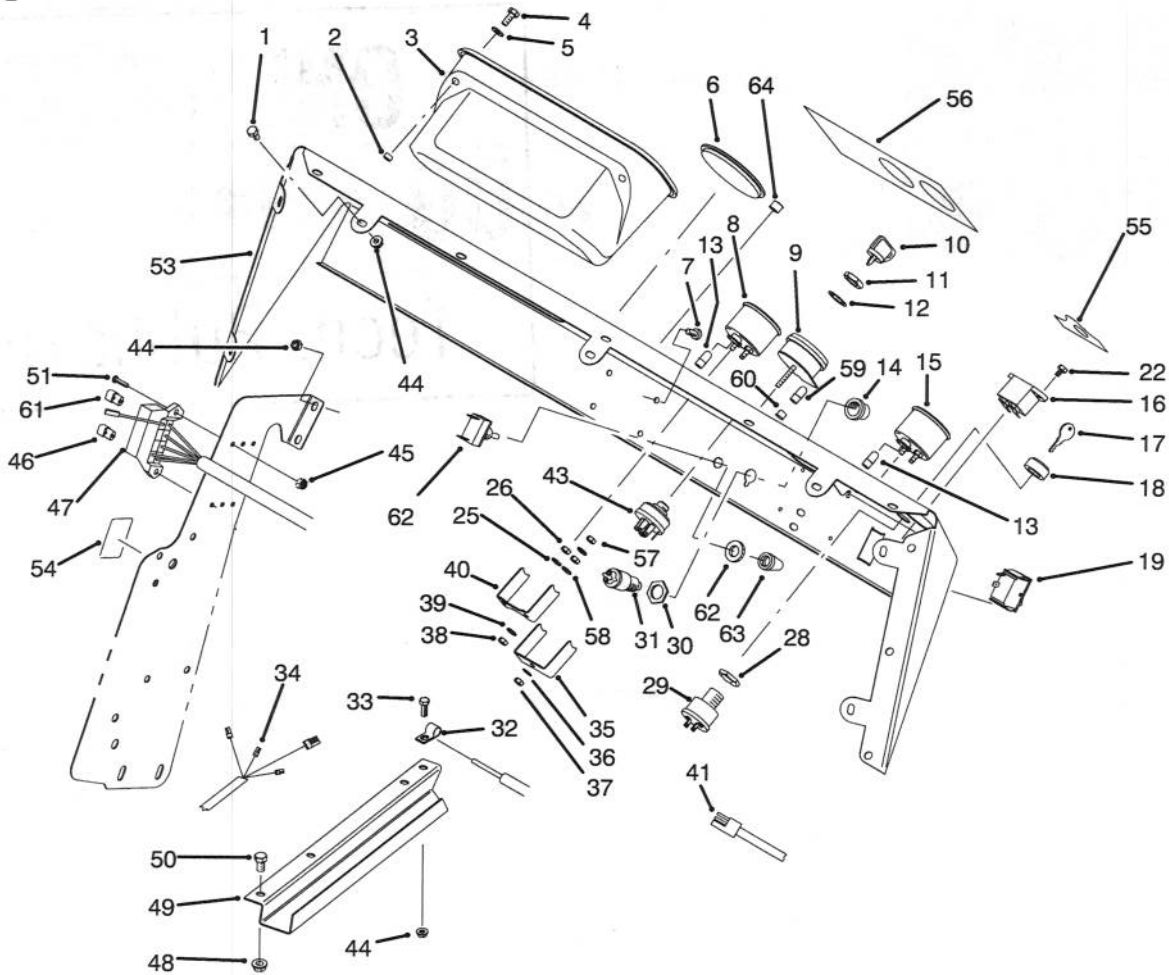
Ref. No.	Part No.	Description	No. Used
17	87-9520	Operators Platform Assy. (Incl. Ref. #18)	1
18	32148-7	Nut - Clinch	8
19	87-8130	Bracket - Trim Top	1
20	87-8160	Trim	1
21	116749	Horn Assembly	1
22	323-4	Screw - Cap Hex. Hd.	1
23	87-9330	Bracket - Mudflap LH	1
*	87-9340	Bracket - Mudflap RH	1
24	321-4	Screw - Cap Hex. Hd.	4
25	32128-33	Nut - Lock	4
26	87-9320	Mudflap	2
27	3250-13	Screw - Pan Hd.	4
28	146489	Rivet - Pop	8
29	3256-61	Washer - Flat	4
30	3296-2	Nut - Lock	4

†For different language versions of this part, see International Decal Cross Reference.

\*Not Illustrated

© The TORO Company - 1994

TPS

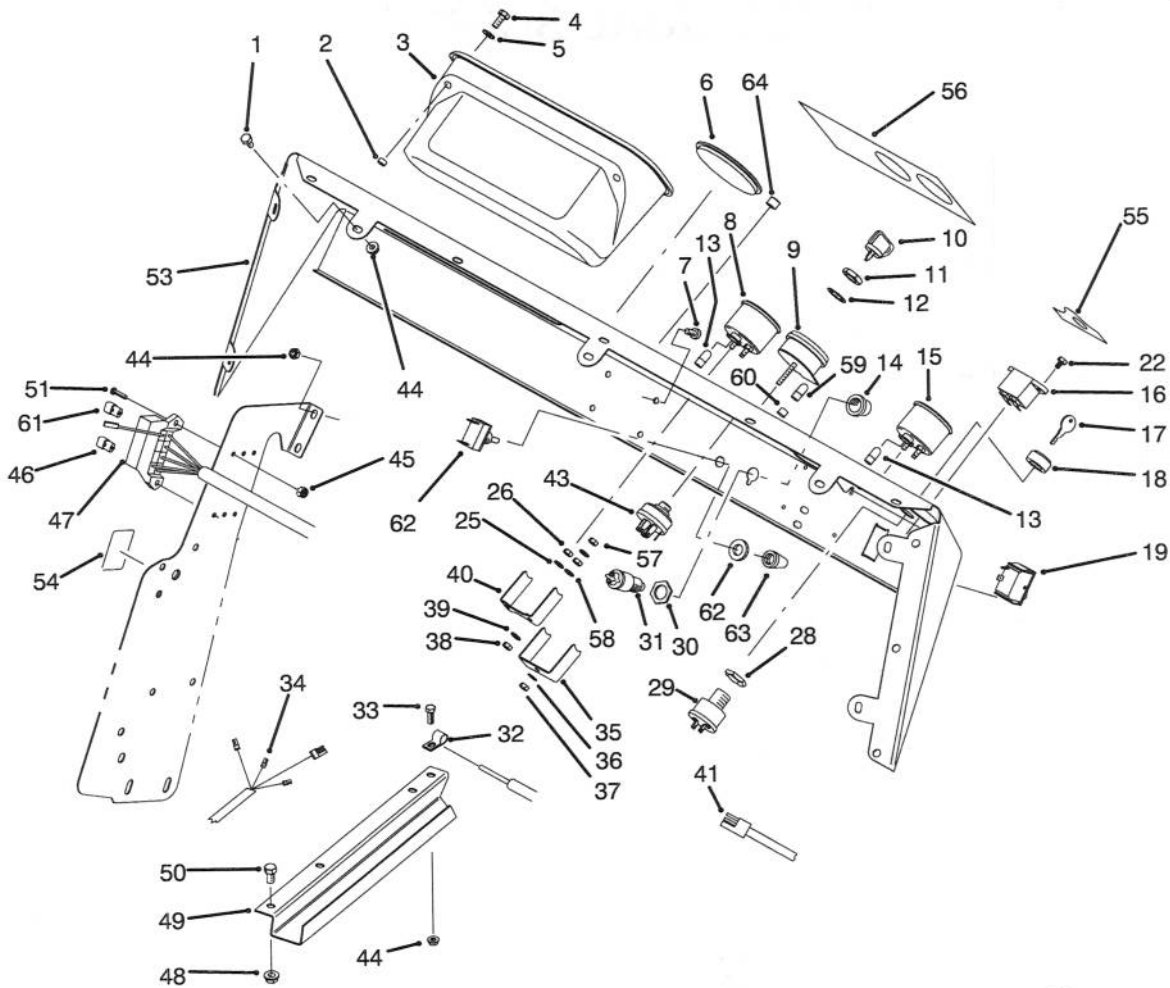


T-1706

## CONTROL PANEL ASSEMBLY

Ref. No.	Part No.	Description	No. Used
1	321-2	Screw - Cap Hex. Hd.	7
2	32148-6	Insert - Threaded	2
3	87-3780	Box - Glove	1
4	321-3	Screw - Cap Hex. Hd.	2
5	3256-22	Washer - Flat	2
6	2410-35	Plug - Hole	1
7	3274-31	Screw - Hex. Socket Hd.	4
8	87-5590	Temperature Gauge Assy. (Incl. Ref. #38-40, 57 & 58)	1
9	87-4140	Warning Light Assembly (Incl. Ref. #35-37, 59 & 60)	1
10	63-8360	Key - Ignition	1
11	218-446	Nut - Hex.	1
12	218-447	Washer - Lock	1
13	218-600	Bulb	2
14		Button - Horn	1
15	87-5580	Fuel Gauge Assembly (Incl. Ref. #38-40, 57 & 58)	1
16	75-6820	Hourmeter	1
17	87-0740	Key - Supervisor Switch	1
18	87-1720	Nut - Supervisor Switch	1
19	87-3790	Switch - Light	1
22	32144-18	Screw - Cap Hex. Hd.	2
28		Nut - Hex.	1
29	87-4030	Supervisor Switch Assy. (Incl. Ref. #17, 18 & 28)	1

Ref. No.	Part No.	Description	No. Used
30		Nut - Hex.	1
31	18-2830	Horn Switch Assembly (Incl. Ref. #14 & 30)	1
32	2412-89	Clamp - R	1
33	321-4	Screw - Cap Hex. Hd.	1
34	87-4250	Harness - Wire Rear	1
35		Clamp - Light	1
36	3254-1	Washer - Lock	1
37	3217-26	Nut - Hex.	1
38	3217-25	Nut - Hex.	2
39	3253-15	Washer - Lock	2
40		Clamp - Temp. Gauge	1
41	87-4230	Harness - Wire Front LH	1
43	27-2360	Ignition Switch Assembly (Incl. Ref. #11 & 12)	1
44	32128-33	Nut - Flange	12
45	3296-2	Nut - Lock	2
46	218-574	Fuse 7.5 Amp.	2
47	87-8500	Front Wire Harness Assy. (Incl. Ref. #13)	1
48	32128-20	Nut - Flange	3
49	87-3320	Cover - Wire Harness	1
50	322-2	Screw - Cap Hex. Hd.	3
51	3250-13	Screw	2
53	87-8550	Control Panel Assembly (Incl. Ref. #55-56)	1



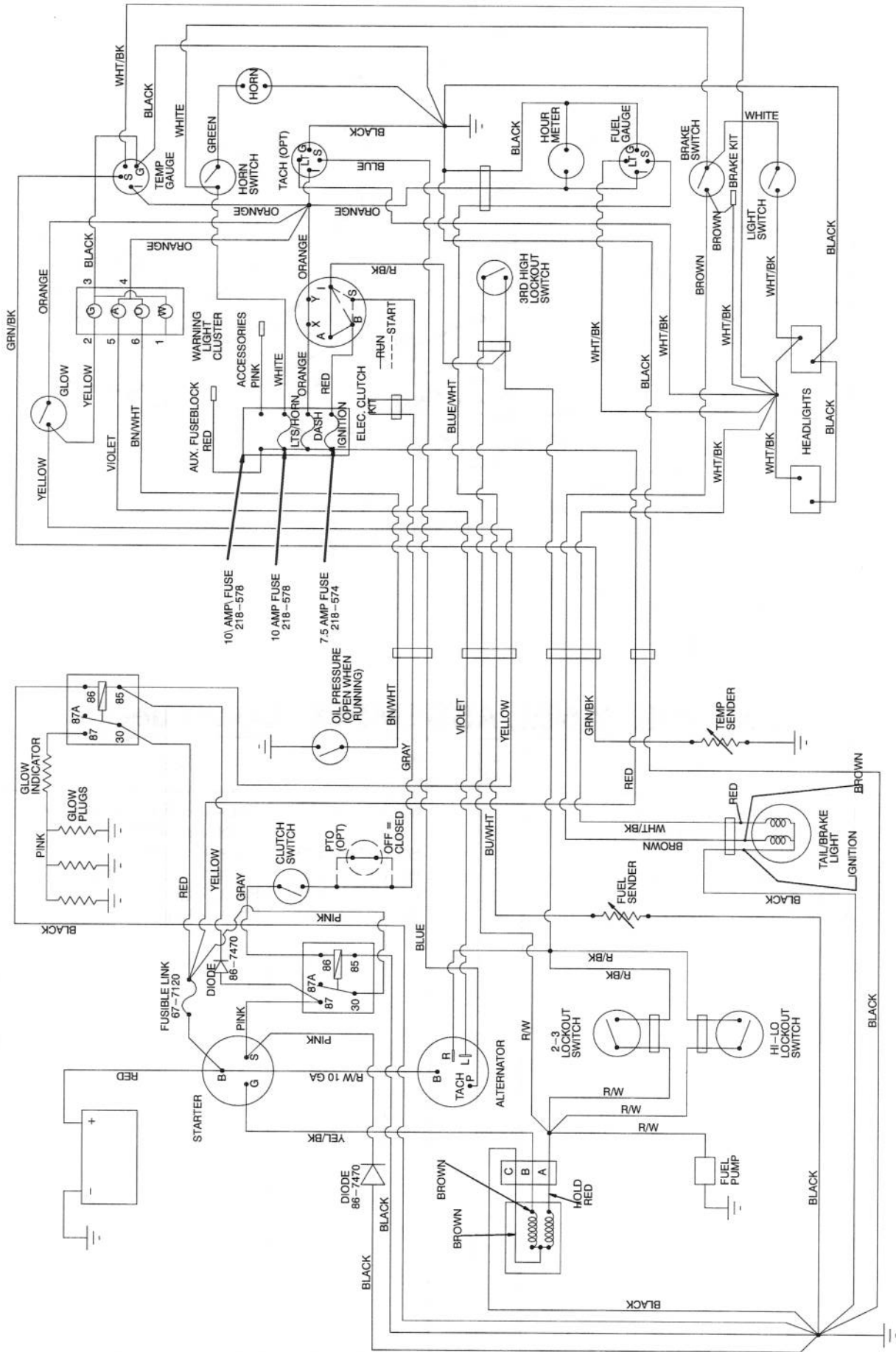
T-1706

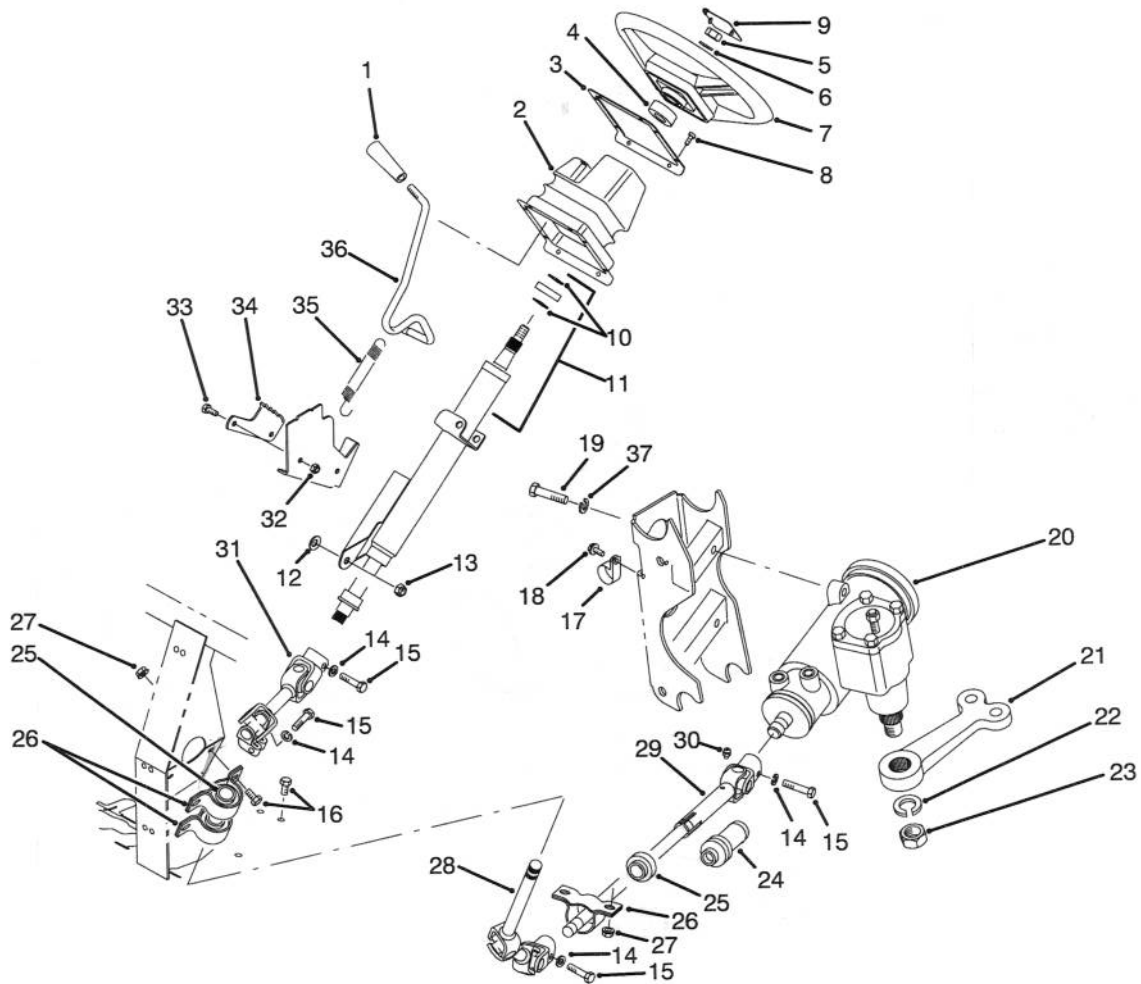
### CONTROL PANEL ASSEMBLY (Continued)

Ref. No.	Part No.	Description	No. Used	Ref. No.	Part No.	Description	No. Used
‡54	87-6670	Decal - Fuse Block	1	60	87-6270	Socket & Bulb Assembly (Incl. Ref. #59)	4
‡55	87-5910	Decal - Supervisor	1	61	218-578	Fuse 10 Amp.	1
‡56	87-8530	Decal - Dash	1	62	20-7150	Switch - Glow Plug	1
57	3253-19	Washer - Lock	3	63	218-473	Boot - Switch	1
58	3217-29	Nut - Jam	3	64	2410-64	Plug - Hole	1
59	219-17	Bulb - Warning Light	4				

‡For different language versions of this part, see International Decal Cross Reference.

# ELECTRICAL SCHEMATIC



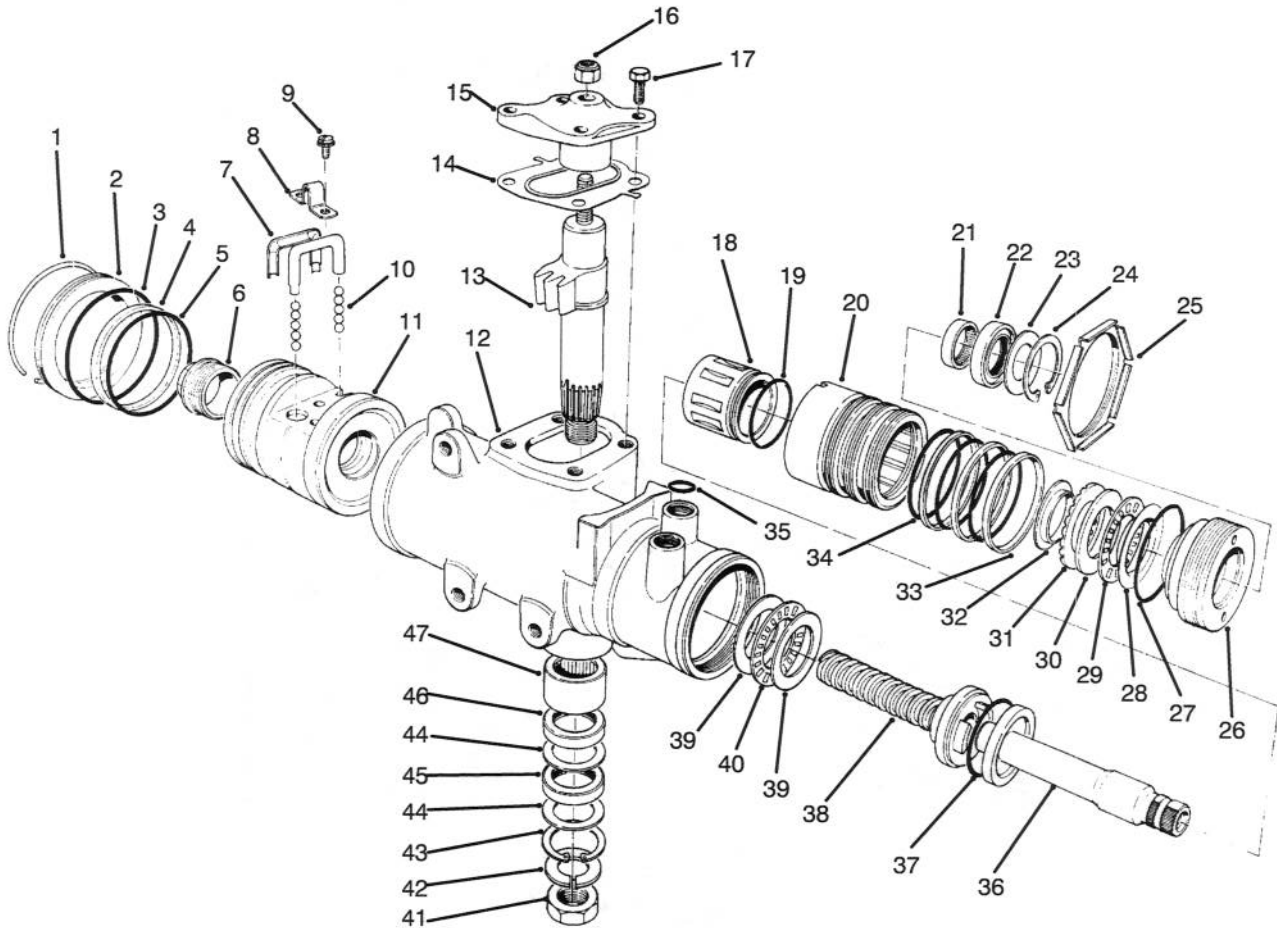


T-1584

## STEERING LINKAGE ASSEMBLY

Ref. No.	Part No.	Description	No. Used	Ref. No.	Part No.	Description	No. Used
1	233-39	Knob	1	21	87-0370	Arm - Pitman	1
2	87-3460	Boot - Tilt Steering	1	22	39-7420	Washer - Lock	1
3	87-4720	Plate - Steering Boot	1	23	39-7440	Nut - Lock	1
4	21-9260	Spacer	1	24	92-4157	Boot - Steering Shaft	1
5	3277-1	Nut - Hex.	1	25	87-2280	Bearing	3
6	48-8070	Washer - Flat	1	26	87-3250	Mount - Bearing	3
7	87-3820	Wheel - Steering	1	27	32128-20	Nut - Flange	6
8	32144-116	Screw - Pan Head	8	28	92-4155	Upper Slip Joint Assembly	1
9	87-3750	Cover - Steering Wheel	1	29	92-4156	Lower Slip Joint Assembly (Incl. Ref. #24 & 30)	1
10	43-6550	Ring - Retaining	2	30	302-5	Fitting - Grease	1
11	92-4153	Steering Column Assembly (Incl. Ref. #10)	1	31	92-4154	Universal Joint Assembly	1
12	3290-455	Washer	1	32	3296-42	Nut - Lock	2
13	3296-59	Nut - Lock	1	33	321-3	Screw - Cap Hex. Hd.	2
14	3253-4	Washer - Lock	4	34	87-3610	Bracket - Detent	1
15	48-7740	Screw - Cap Hex. Hd.	4	35	65-5360	Spring - Extension	1
16	322-2	Screw - Cap Hex. Hd.	6	36	87-3130	Lever - Tilt Steering	1
17	2412-105	Clamp - R	2	37	3253-22	Washer - Lock	3
18	32144-10	Screw - Self Tapping	2	*	87-3100	Lower Shaft Assembly (Incl. Ref. #24 & 28-30)	1
19	324-8	Screw - Cap Hex. Hd.	3	*	87-3120	Steering Column & Shaft (Incl. Ref. #10, 11 & 31)	1
20	87-1500	Steering Gear Assembly (Incl. Ref. #22 & 23)	1				

\*Not Illustrated



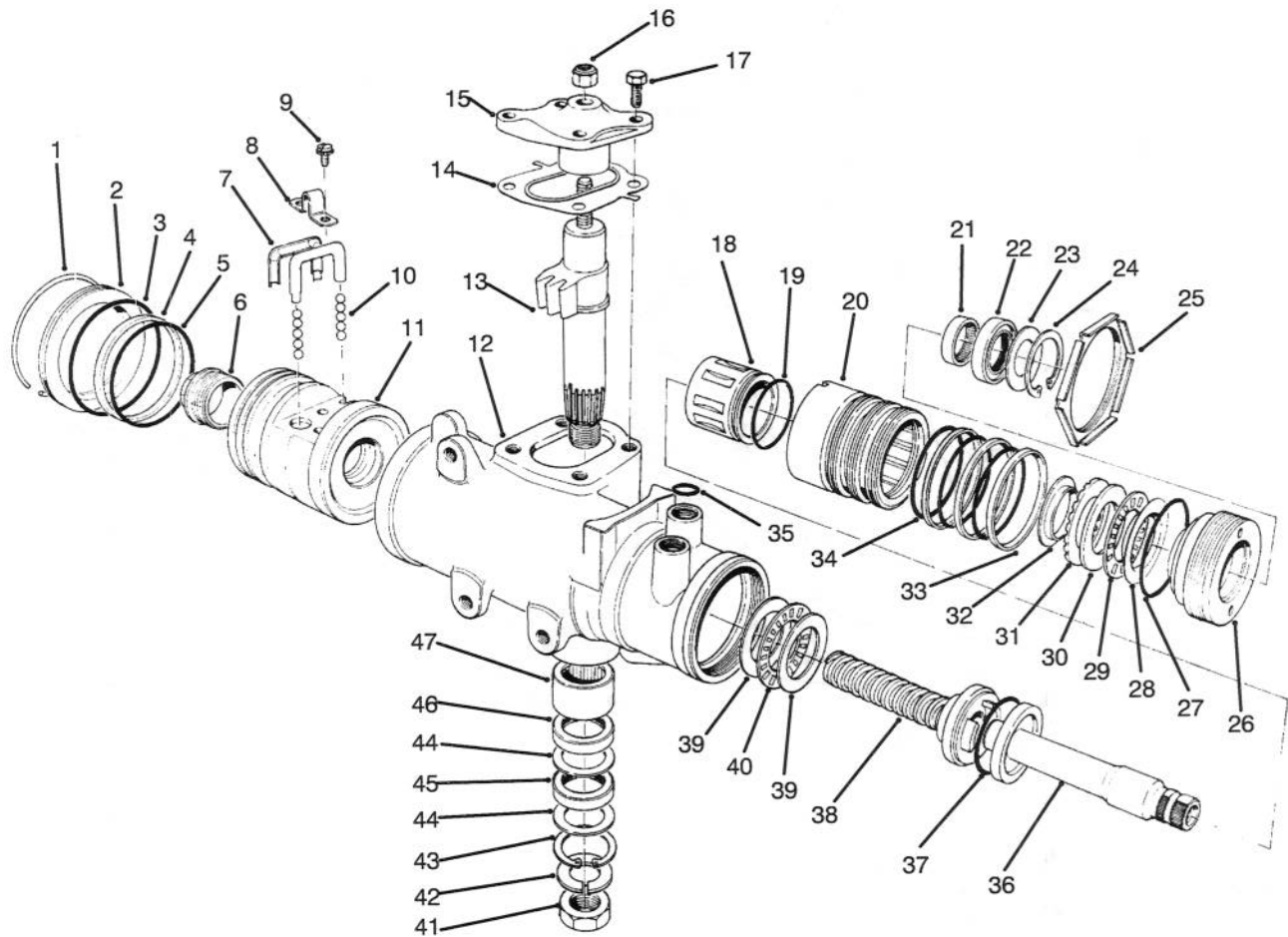
T-1580

## STEERING GEAR ASSEMBLY NO. 87-1500

Ref. No.	Part No.	Description	No. Used
1		Ring - Retaining	1
2	92-4165	Plug - Housing End	1
3		Seal - Housing End Plug	1
4		Ring - Rack Piston	1
5		O-Ring, Rack Piston	1
6	18-4340	Plug - Rack Piston End	1
7	92-4168	Return - Guide Ball	2
8	18-4270	Clamp - Ball Return Guide	1
9	18-4260	Screw/Lockwasher Assy.	2
10	18-5190	Ball - Chrome Alloy	11
11		Nut - Rack Piston	1
12		Housing - Steering Gear	1
13		Gear - Pitman Shaft	1
14	28-8280	Seal Kit - Side Cover (Incl. Ref. #17)	1
15		Cover - Housing Side	1
16	28-8220	Nut - Lash Adjuster	1
17	28-8210	Bolt - Flange Hex. Hd.	4
18		Spool Valve	1
19		O-Ring, Spool Valve	1
20		Valve Body	1
21	92-4169	Bearing - Needle	1
22		Seal - Stub Shaft	1
23		Seal - Stub Shaft Dust	1
24		Ring - Retaining	1
25	92-4159	Nut - Adjuster Plug Lock	1

Ref. No.	Part No.	Description	No. Used
26		Plug - Adjuster	1
27	28-8200	O-Ring	1
28		Race - Upper Bearing	1
29		Bearing - Roller, Thrust	1
30		Race - Thrust Bearing	1
31		Spacer - Thrust Bearing	1
32		Retainer - Bearing	1
33		Ring - Valve Body	3
34		O-Ring	3
35	39-7310	O-Ring	3
36		Shaft - Stub	1
37		O-Ring	1
38		Worm - Steering	1
39		Race - Thrust Bearing	2
40		Bearing - Roller, Thrust	1
41	39-7440	Nut - Pitman Arm	1
42	39-7420	Washer - Lock	1
43		Ring - Retaining	1
44		Washer - Seal, Backup	2
45		Seal - Pitman Shaft	1
46		Seal - Pitman Shaft	1
47	92-4170	Bearing - Pitman Shaft	1
*	92-4161	Service Cover Assembly Housing Side (Incl. Ref. #14-17)	1

\*Not Illustrated

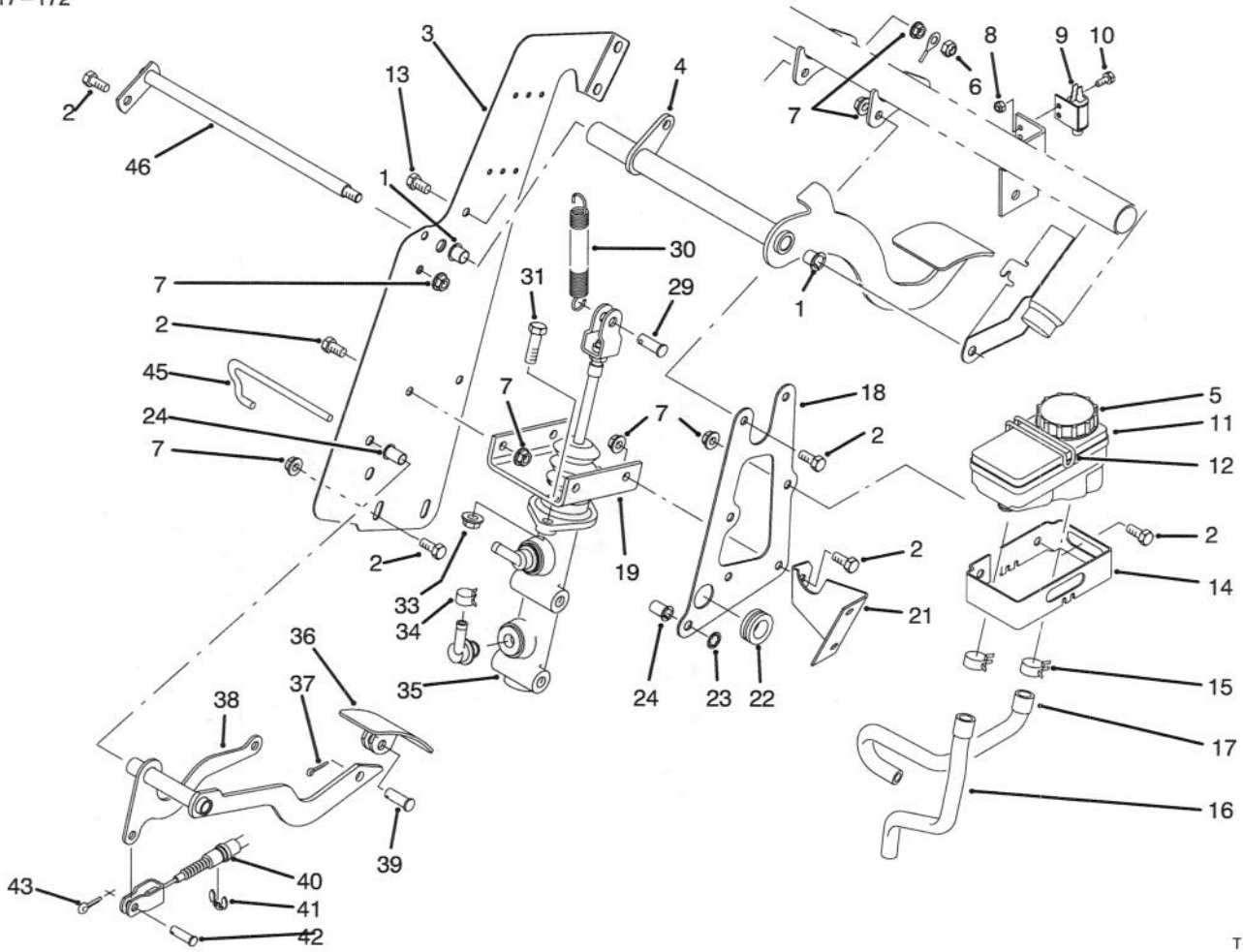


T-1580

## STEERING GEAR ASSEMBLY NO. 87-1500

Ref. No.	Part No.	Description	No. Used	Ref. No.	Part No.	Description	No. Used
*	28-8270	Seal Service Kit - End Plug (Incl. Ref. #1 & 3)	1	*	92-4162	Pitman Shaft - Gear Service (Incl. Ref. #13-15 & 17)	1
*	28-8290	Seal Service Kit Rack/Piston (Incl. Ref. #4 & 5)	1	*	92-4158	Valve Assy. - Hyd. Gear (Incl. Ref. #18-20, 33, 34, 36 & 37)	1
*	18-5180	Bearing Kit - Lower Thrust (Incl. Ref. #39-40)	1	*	92-4160	Bearing Service Kit - Upper (Incl. Ref. #28-32)	1
*	18-5160	Seal Kit - Pitman Shaft (Incl. Ref. #43-46)	1	*	92-4166	Rack/Piston/Nut Assembly (Incl. Ref. #1-11 & 38)	1
*	18-5170	Seal Kit - Valve Ring (Incl. Ref. #19, 33, 34 & 37)	1	*	92-4164	Plug Assy. - Service Adjust. (Incl. Ref. #21-24 & 26-32)	1
*	92-4163	Steering Housing Assembly (Incl. Ref. #12 & 43-47)	1	*	87-1500	Steering Gear (Complete)	1
*	92-4167	Service Plug Assembly (Incl. Ref. #22-24 & 27)	1				

\*Not Illustrated

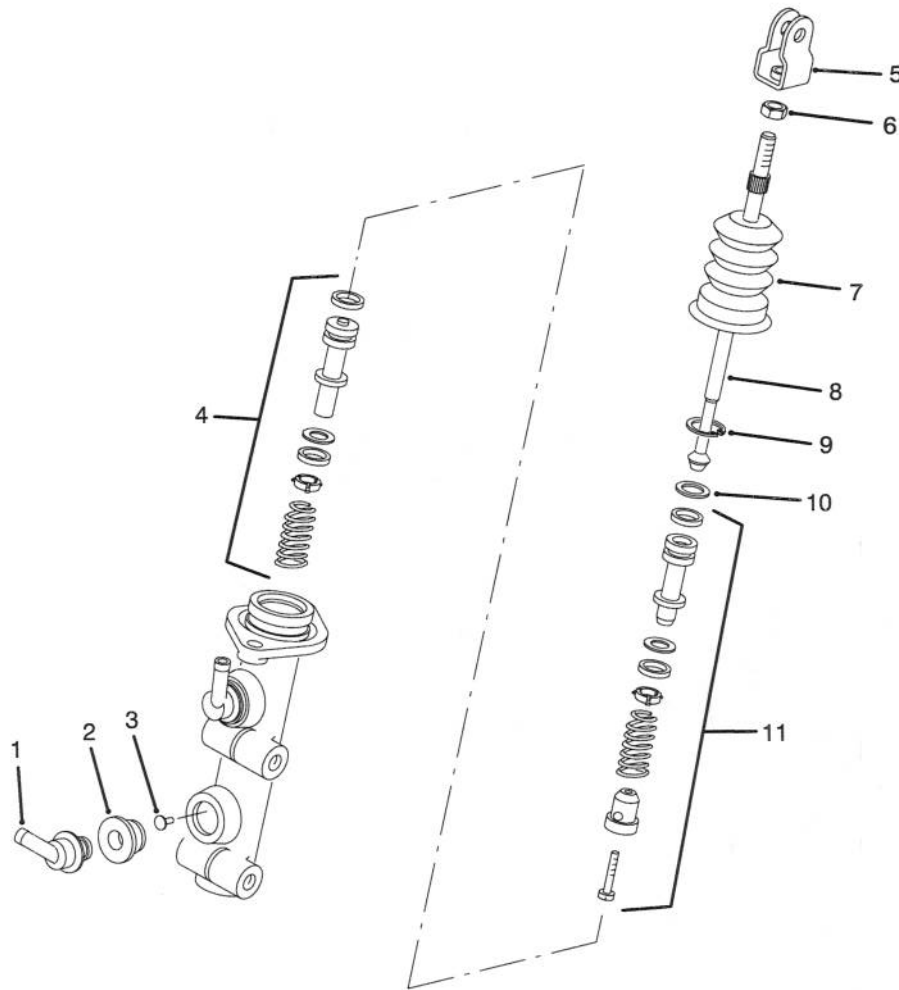


T-1585

## BRAKE & ACCELERATOR PEDAL ASSEMBLY

Ref. No.	Part No.	Description	No. Used
1	256-257	Bushing - Flange	2
2	322-2	Screw - Cap Hex. Hd.	12
3	87-2910	Support - Pedal RH	1
4	87-2540	Pedal - Brake	1
5	92-4112	Cap Assembly	1
6	3296-29	Nut - Lock	1
7	32128-20	Nut - Flange Lock	13
8	3296-2	Nut - Lock	2
9	55-7120	Switch - Brake Light	1
10	3290-321	Screw - Hex. Flange Hd.	2
11	87-3040	Brake Fluid Reservoir Assy. (Incl. Ref. #5)	1
12	87-7570	Retainer - Reservoir	1
13	322-5	Screw - Cap Hex. Hd.	1
14	87-2890	Cradle - Reservoir	1
15	2412-143	Clamp - Hose	2
16	87-0670	Hose - Reservoir Front	1
17	87-0660	Hose - Reservoir Rear	1
18	87-2660	Support - Pedal LH	1
19	87-2640	Support - Master Cylinder	1

Ref. No.	Part No.	Description	No. Used
21	87-2650	Gusset	1
22	240-6	Grommet	1
23	32151-56	Ring - Push-On	1
24	52-2890	Bushing - Flange	2
29	283-2	Pin - Clevis	1
30	21-1830	Spring - Extension	1
31	323-7	Screw - Cap Hex. Hd.	2
33	3290-357	Nut - Flange Lock	2
34	2412-144	Clamp - Hose	2
35	87-3030	Master Cylinder Assembly	1
36	87-2670	Pedal - Accelerator	1
37	3272-6	Pin - Cotter	1
38	87-4790	Arm - Accelerator Pedal	1
39	283-85	Pin - Clevis	1
40	87-8610	Cable - Accelerator	1
41	32120-47	Ring - E	1
42	283-30	Pin - Clevis	1
43	3272-10	Pin - Cotter	1
45	87-2880	Shaft - Accelerator Pedal	1
48	87-2590	Shaft - Brake Pedal	1

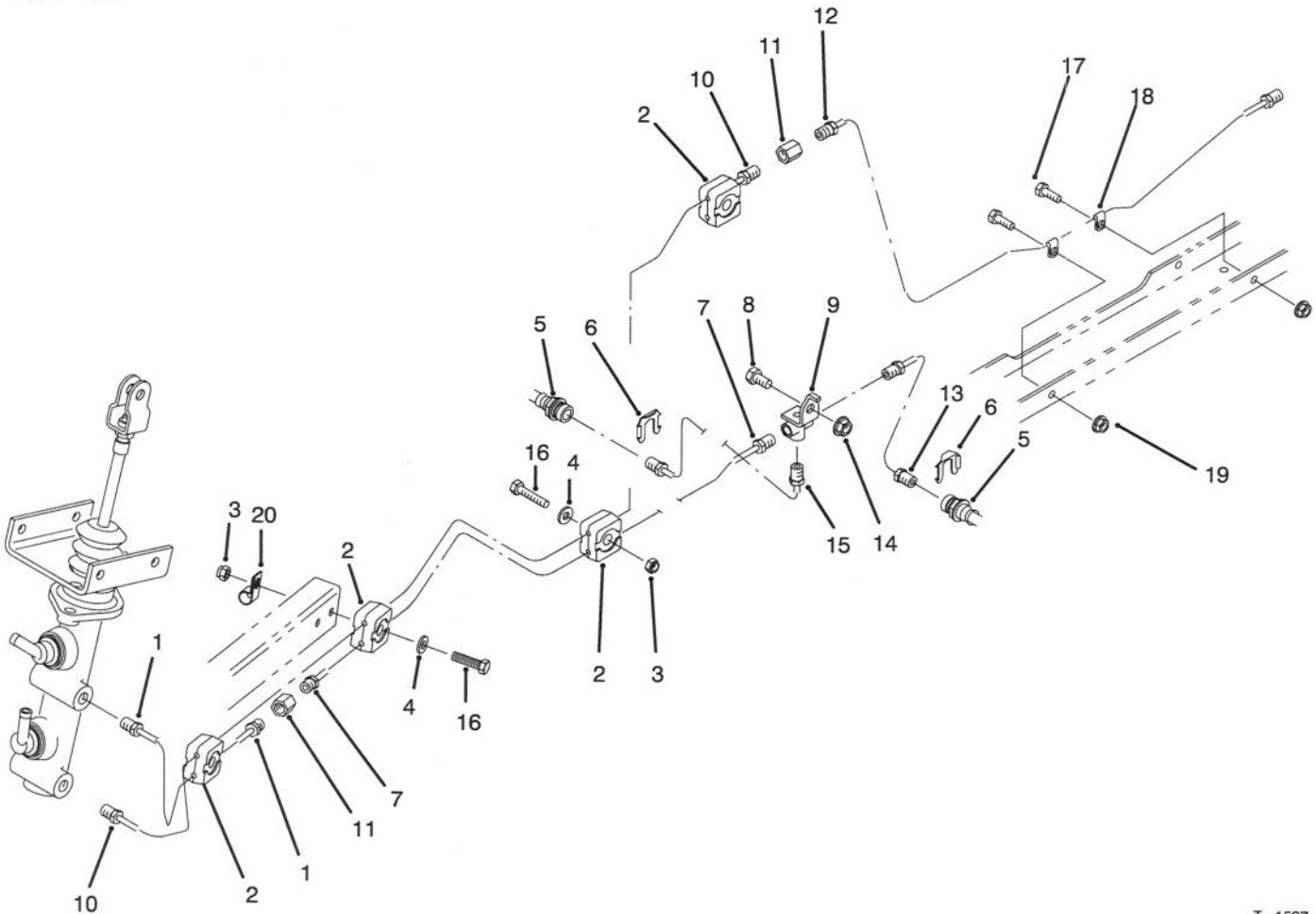


T-1586

## MASTER BRAKE CYLINDER NO. 87-3030

Ref. No.	Part No.	Description	No. Used
1	92-4104	Adaptor - Pipe Fitting	2
2		Seal	2
3	92-4103	Pin - Stop	1
4	92-4102	Secondary Piston Assembly	1
5	92-4110	Clevis	1
6	21-0360	Nut	1

Ref. No.	Part No.	Description	No. Used
7	92-4107	Dust Cover	1
8	92-4106	Rod - Push	1
9	92-4109	Circlip	1
10	92-4108	Washer - Retainer	1
11	92-4101	Primary Piston Assembly	1



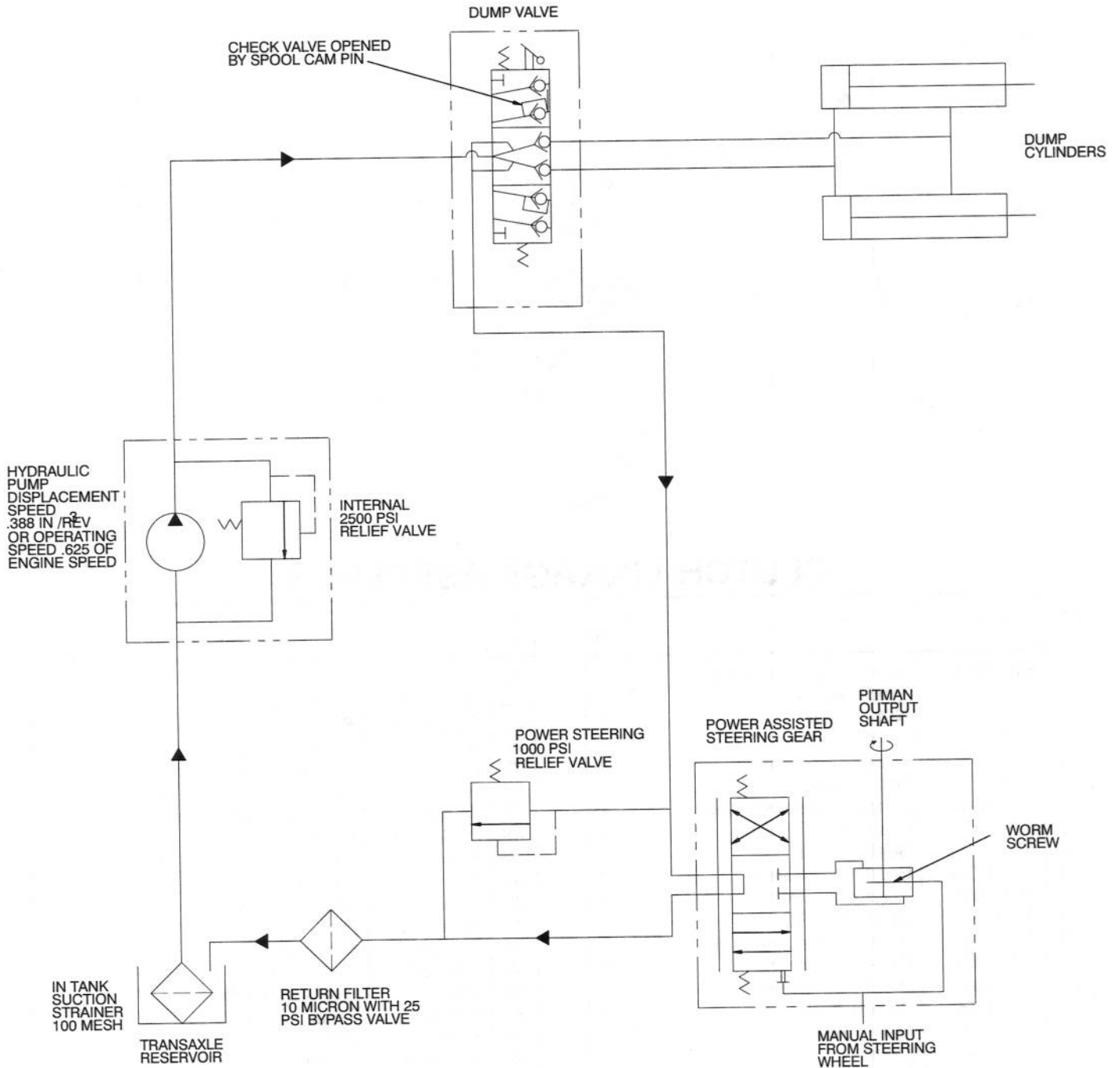
T-1587

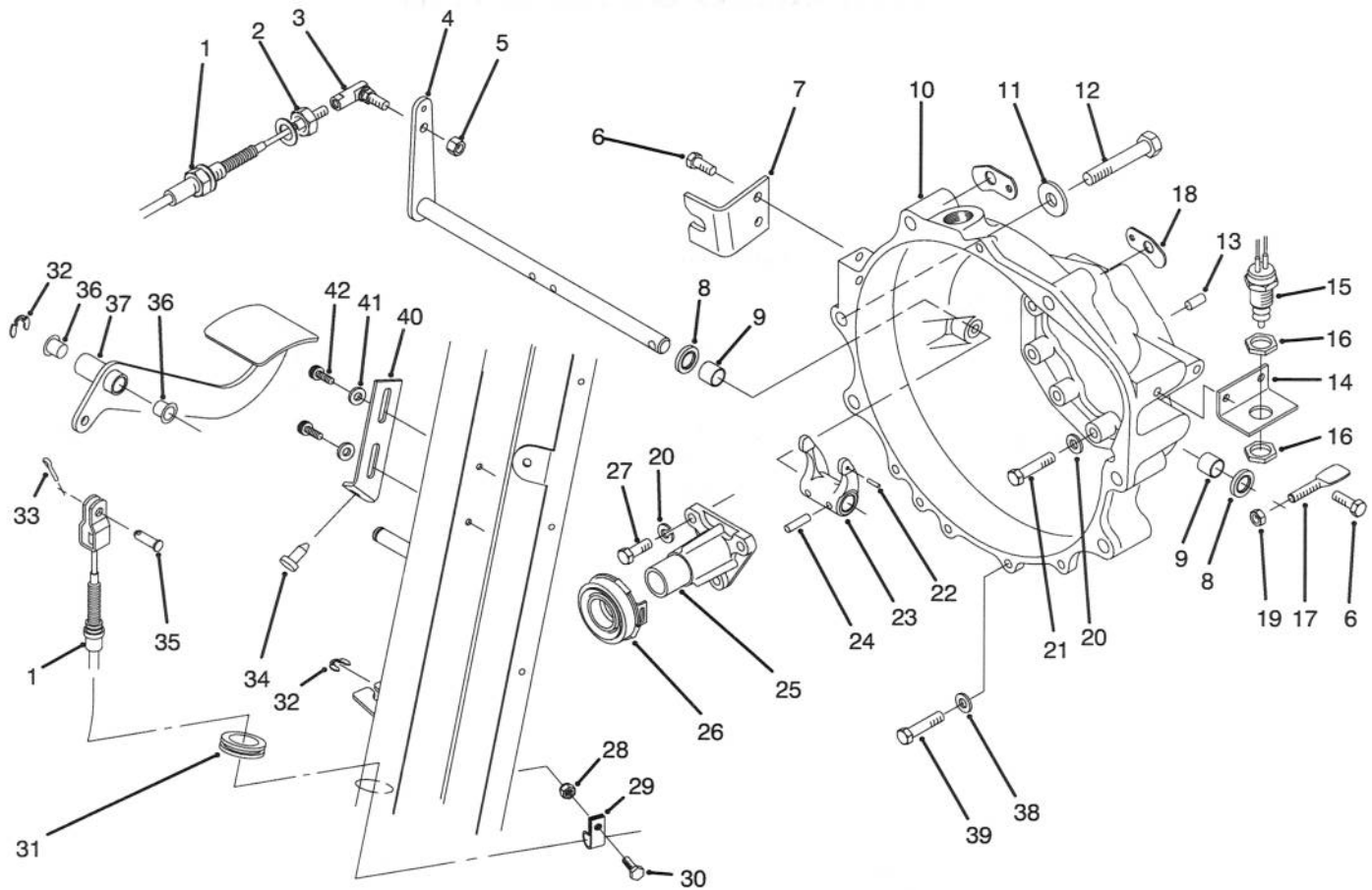
## HYDRAULIC BRAKE LINE ROUTING ASSEMBLY

Ref. No.	Part No.	Description	No. Used
1	87-2830	Tube - Brake	1
2	87-7660	Clamp - Brake Line	8
3	3296-42	Nut - Lock	4
4	3256-22	Washer - Flat	4
5	87-2780	Hose - Brake Front	2
6	87-3580	Retainer - Brake Hose	2
7	87-2840	Tube - Brake	1
8	322-2	Screw - Cap Hex. Hd.	1
9	87-3560	Tee - Brake Line	1
10	87-2810	Tube - Brake	1

Ref. No.	Part No.	Description	No. Used
11	87-3570	Fitting - Union	2
12	87-3260	Tube - Brake	1
13	87-2850	Tube - Brake	1
14	32128-20	Nut - Flange	1
15	87-2860	Tube - Brake	1
16	321-9	Screw - Cap Hex. Hd.	4
17	321-4	Screw - Cap Hex. Hd.	2
18	2412-149	R-Clamp	2
19	32128-33	Nut - Flange Head	2
20	2412-89	Clamp - R	1

# HYDRAULIC SCHEMATIC



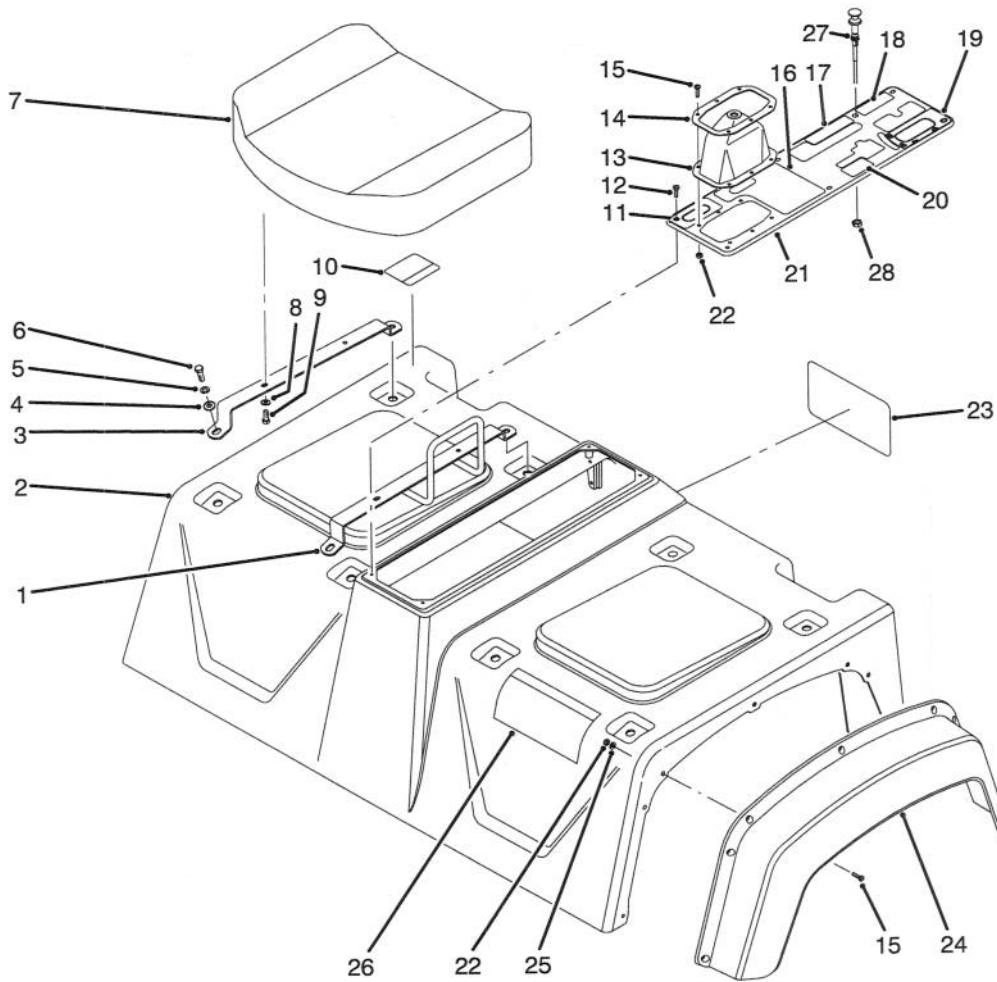


T-1658

## CLUTCH LINKAGE ASSEMBLY

Ref. No.	Part No.	Description	No. Used
1	87-8590	Clutch Cable Assembly (Incl. Ref. #2)	1
2	3220-2	Nut - Jam	1
3	2411-33	Joint - Ball	1
4	87-5280	Shaft - Release	1
5	3296-4	Nut - Lock	1
6	66-3160	Screw - Cap Hex. Hd.	4
7	87-8471	Bracket - Clutch	1
8	87-1920	Seal - Shaft	2
9	87-3770	Bushing - Sleeve	2
10	87-1820	Housing - Bell	1
11	3256-5	Washer - Flat	4
12	3215-2	Screw - Cap Hex. Hd.	6
13	87-1910	Pin - Alignment	2
14	87-5350	Bracket - Switch	1
15	87-5490	Switch - Neutral	1
16	3218-20	Nut - Jam	2
17	87-5360	Lever	1
18	87-6410	Bracket - Harness	2
19	3296-29	Nut - Lock	1
20	42-9850	Washer - Lock	12
21	42-9530	Screw - Cap Hex. Hd.	9

Ref. No.	Part No.	Description	No. Used
22	32121-7	Pin - Roll	1
23	87-5300	Fork - Clutch	1
24	32121-24	Pin - Roll	2
25	87-5320	Guide - Release	1
26	87-2100	Bearing - Release	1
27	57-6380	Screw - Cap Hex. Hd.	3
28	32128-33	Nut - Flange Lock	1
29	2412-89	Clamp - R	1
30	321-4	Screw - Cap Hex. Hd.	1
31	240-5	Grommet	1
32	32120-47	Ring - E	2
33	3272-10	Pin - Cotter	1
34	87-8460	Bumper	1
35	283-30	Pin - Clevis	1
36	256-257	Bushing - Flange	2
37	87-2610	Pedal - Clutch	1
38	3256-23	Washer - Lock	4
39	66-3160	Screw - Cap Hex. Hd.	4
40	87-8710	Tab - Clutch	1
41	3256-22	Washer - Flat	2
42	87-6620	Screw - Torx Pan Hd.	2

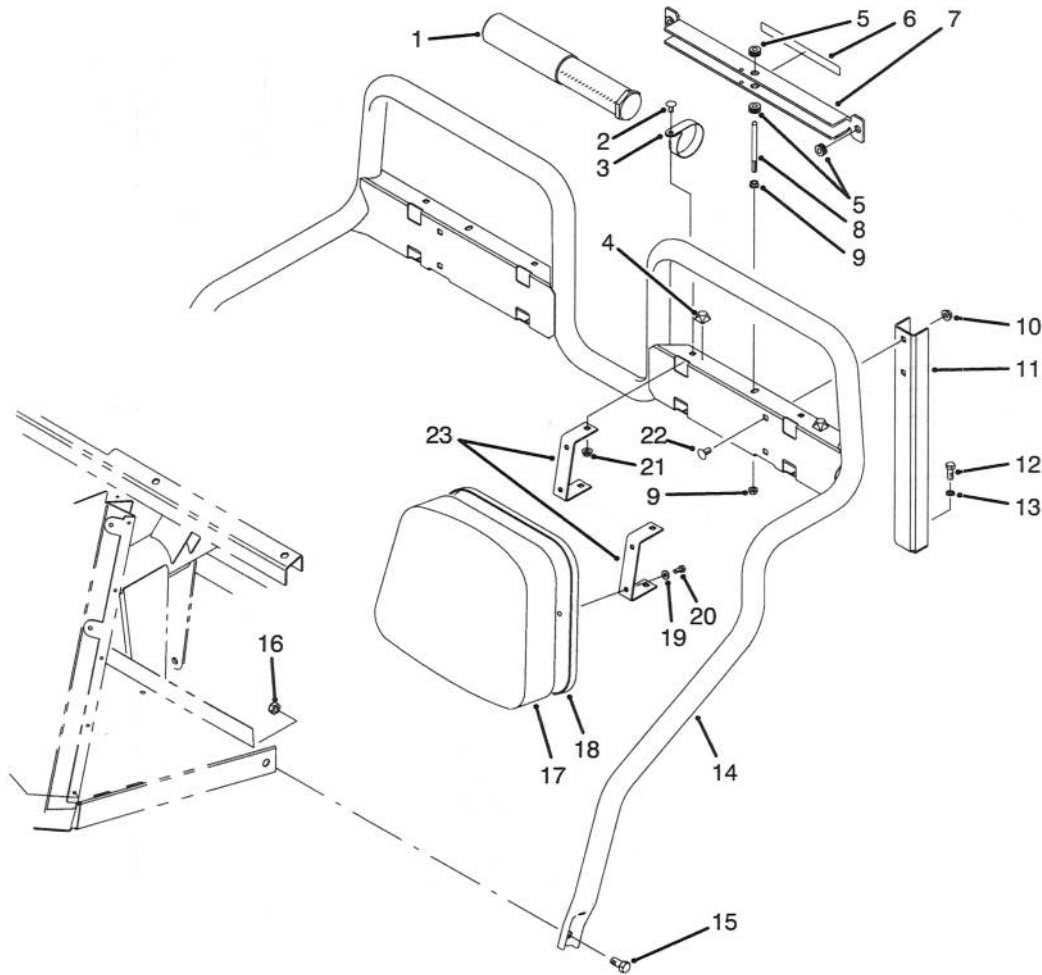


T-1589

## SEAT BASE ASSEMBLY

Ref. No.	Part No.	Description	No. Used	Ref. No.	Part No.	Description	No. Used
1	87-6890	Hold - Hand	1	14	87-3760	Plate - Shift Boot	1
2	87-7070	Skirt Assembly (Incl. Ref. #10 & 26)	1	15	3250-13	Screw - Hex. Hd.	20
3	87-3800	Bracket - Seat Bottom	3	‡16	87-5970	Decal - PTO	1
4	3256-23	Washer - Flat	8	‡17	87-6000	Decal - Differential Lock	1
5	3253-4	Washer - Lock	8	‡18	92-2609	Decal - Remote Hydraulics	1
6	322-5	Screw - Cap Hex. Hd.	8	‡19	87-6010	Decal - Dump Hydraulics	1
7	87-5060	Cushion - Seat Bottom	2	‡20	87-6020	Decal - Parking Brake	1
8	3256-22	Washer - Flat	8	21	87-8080	Console Plate Assembly (Incl. Ref. #11 & 16-20)	1
9	321-4	Screw - Cap Hex. Hd.	8	22	3296-2	Nut - Lock	20
‡10	87-5930	Decal - Caution	1	‡23	87-9070	Decal - Quick Reference	1
‡11	87-5960	Decal - Axle Range	1	24	87-9480	Fender - Front	2
12	32144-52	Screw - Hex. Hd.	6	25	3256-61	Washer - Flat	14
13	87-8620	Boot - Shift	1	‡26	87-5920	Decal - Danger	1

‡For different language versions of this part, see International Decal Cross Reference.



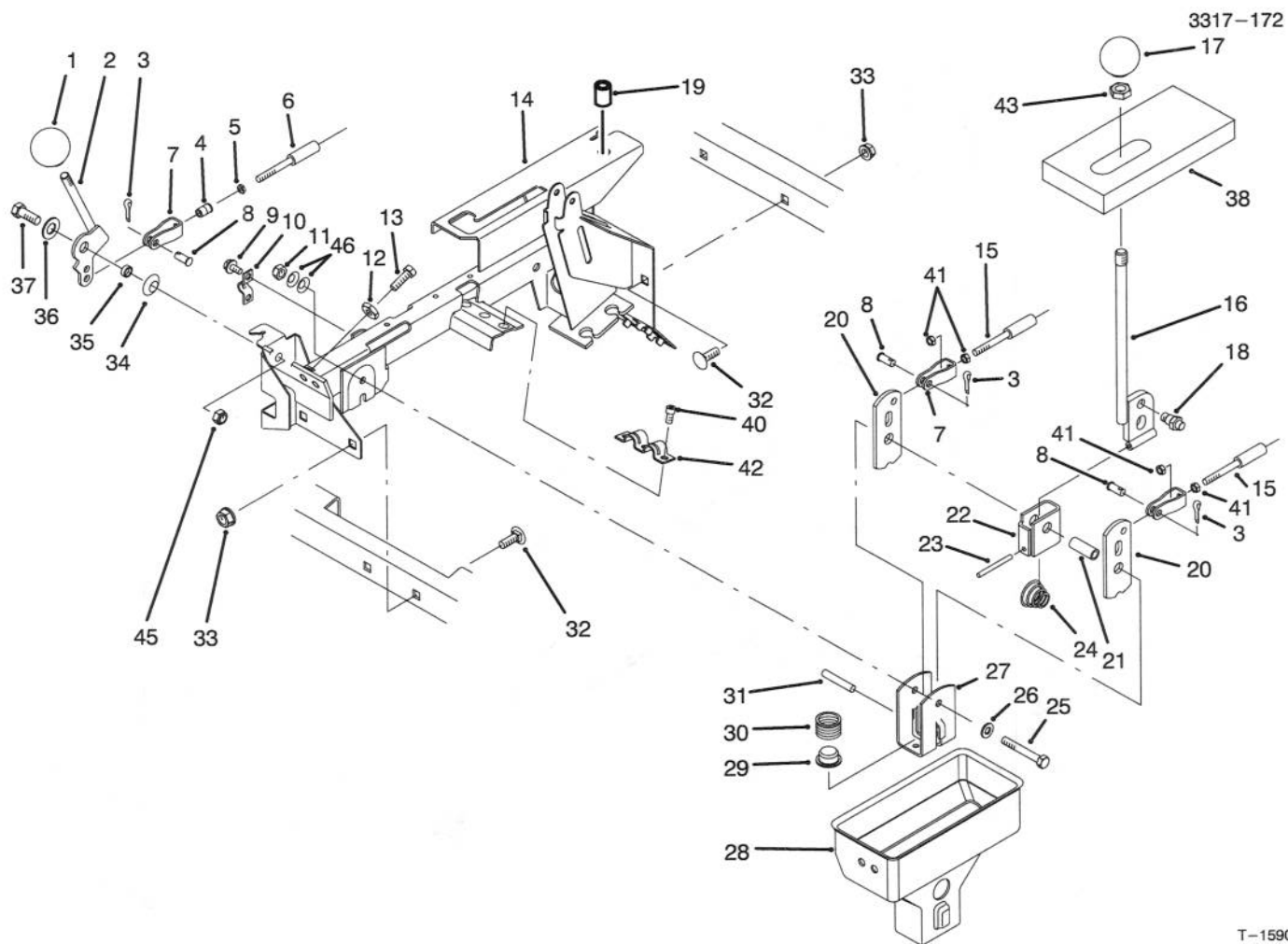
T-1779

## SEAT BACK ASSEMBLY

Ref. No.	Part No.	Description	No. Used
1	74-0720	Tube - Manual	1
2	3230-18	Bolt - Carriage	2
3	2412-133	R-Clamp	2
4	111071	Bumper	2
5	92-5972	Grommet	4
‡6	87-7930	Decal - Danger	1
7	87-7950	Bed Support Assembly (Incl. Ref. #5 & 6)	1
8	87-7940	Stud	1
9	32128-44	Nut - Flange Lock	2
10	3290-357	Nut - Flange Lock	4
11	87-2510	Bracket - Seat Frame	2

Ref. No.	Part No.	Description	No. Used
12	323-6	Screw - Cap Hex. Hd.	2
13	3253-21	Washer - Lock	2
14	87-6170	Frame - Seat	1
15	325-4	Screw - Cap Hex. Hd.	2
16	3296-23	Nut - Lock	2
17	87-6290	Cushion - Seat Back	2
18	87-6280	Plate - Seat Back	2
19	3256-22	Washer - Flat	8
20	321-4	Screw - Cap Hex. Hd.	8
21	32128-20	Nut - Flange Lock	8
22	3231-21	Bolt - Carriage	4
23	87-6240	Bracket - Seat Back	4

‡For different language versions of this part, see International Decal Cross Reference.



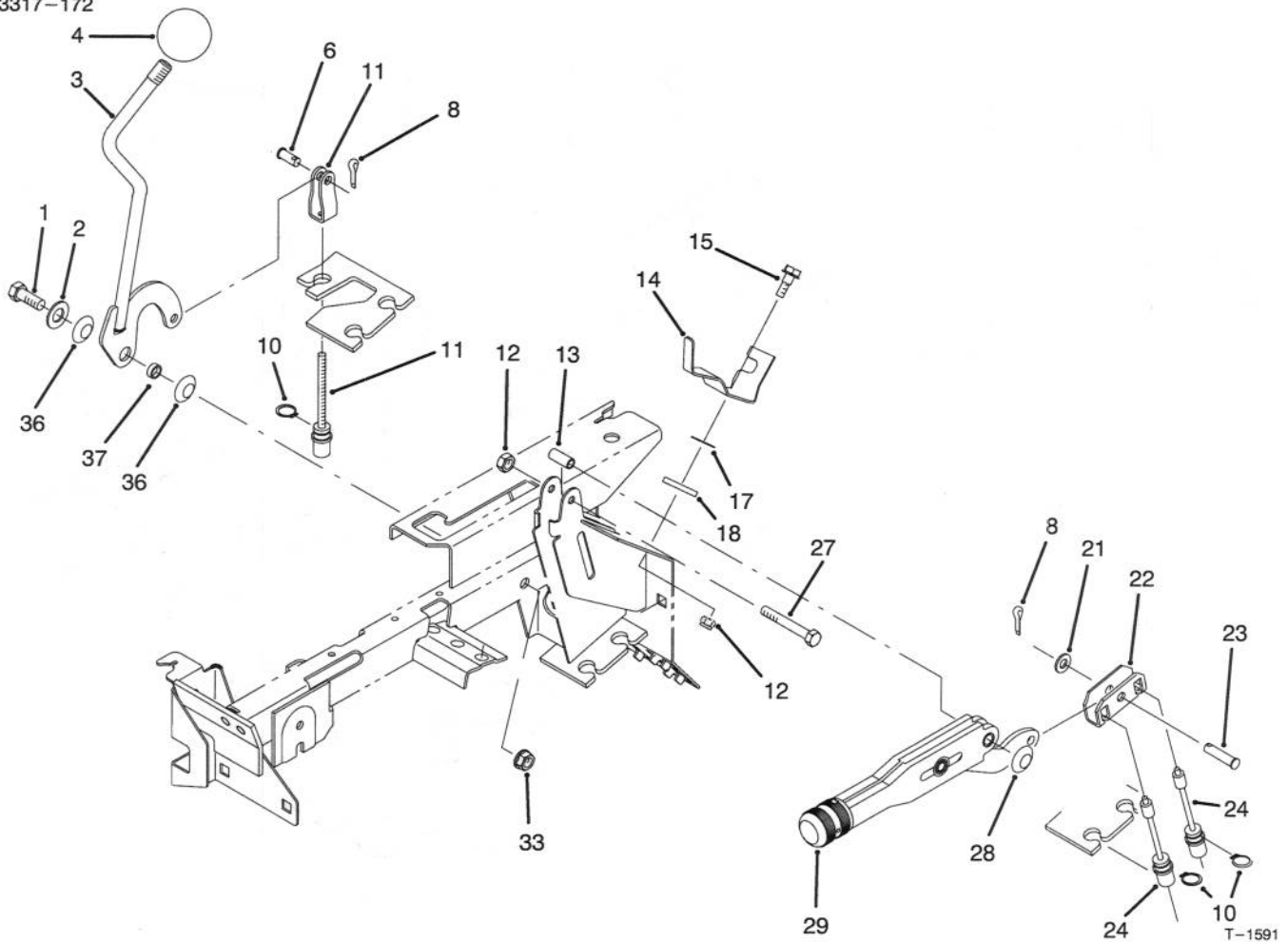
T-1590

## HI-LO & SHIFT LEVER ASSEMBLIES

Ref. No.	Part No.	Description	No. Used
1	233-37	Knob	1
2	87-4350	Lever - Hi-Lo	1
3	3272-6	Pin - Cotter	3
4	32148-15	Insert - Threaded	1
5	3219-14	Nut	1
6	87-4420	Hi-Lo Cable Assembly (Incl. Ref. #5)	1
7	87-7160	Cable Clevis Assembly (Incl. Ref. #4)	3
8	283-62	Pin - Clevis	3
9	32144-4	Screw - Hex. Washer Hd.	2
10	87-4340	Clamp - Cable	1
11	32128-25	Nut - Lock	2
12	3220-3	Nut - Jam	2
13	3211-8	Screw - Cap Hex. Hd.	2
14	87-8110	Lever Support Assembly (Incl. Ref. #19)	1
15	87-4260	Cable Assembly (Incl. Ref. #41)	2
16	87-2040	Lever - Shift	1
17	87-6720	Knob	1
18	87-3650	Pin - Shift	1
19	32148-7	Nut - Clinch	2
20	87-3540	Link - Shift	2

Ref. No.	Part No.	Description	No. Used
21	87-2520	Tube - Pivot	1
22	87-6040	Bracket - Shifter	1
23	32121-48	Pin - Roll	1
24	87-2900	Spring - Compression	1
25	322-12	Screw - Cap Hex. Hd.	1
26	87-8640	Washer - Flat	1
27	87-3520	Clevis	1
28	87-2260	Boot - Shift Lower	1
29	87-3530	Button - Shifter	1
30	87-3660	Spring - Compression	1
31	3290-507	Pin - Dowel	1
32	3231-21	Bolt - Carriage	4
33	3290-357	Nut - Flange Lock	4
34	3290-221	Washer - Spring	1
35	76-9100	Spacer - Hi-Lo Lever	1
36	49-9150	Washer - Flat	1
37	323-6	Screw - Cap Hex. Hd.	1
38	87-6570	Foam - Seal	1
40	65-5220	Screw - Hex. Socket Hd.	3
41	3220-1	Nut - Jam	4
42	87-4960	Clamp - Cable	1
43	3218-18	Nut - Jam	1
45	3296-39	Nut - Lock	1
46	3290-456	Washer - Belleville	2

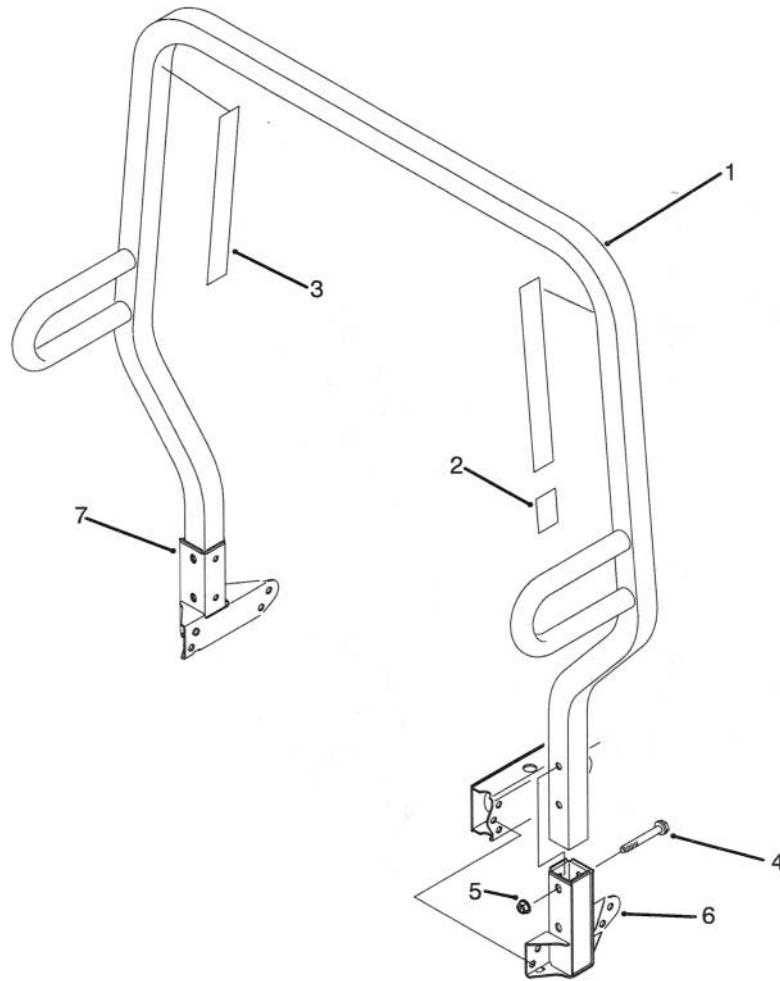
3317-172



## DIFFERENTIAL LOCK & PARKING BRAKE ASSEMBLIES

Ref. No.	Part No.	Description	No. Used
1	323-6	Screw - Cap Hex. Hd.	1
2	49-9150	Washer - Flat	1
3	87-5030	Lever - Differential Lock	1
4	233-48	Knob	1
6	283-62	Pin - Clevis	1
8	3272-10	Pin - Cotter	2
10	32120-47	Ring - Retaining	3
11	87-4460	Differential Lock Cable	1
12	3296-42	Nut - Lock	2
13	87-4710	Spacer - Parking Brake	1
14	87-6640	Lever - Dump Stop	1
15	42-3560	Screw - Shoulder	1

Ref. No.	Part No.	Description	No. Used
17	3290-478	Washer - Belleville	1
18	71-5320	Washer - Flat	1
21	3256-23	Washer - Flat	1
22	87-3480	Plate - Brake Equalizer	1
23	283-14	Pin - Clevis	1
24	87-8240	Cable - Parking Brake	2
27	321-9	Screw - Cap Hex. Hd.	1
28	3290-477	Washer - Curved	1
29	87-2710	Lever - Parking Brake	1
33	3296-39	Nut - Lock	1
36	3290-221	Washer - Spring	2
37	76-2290	Spacer	1

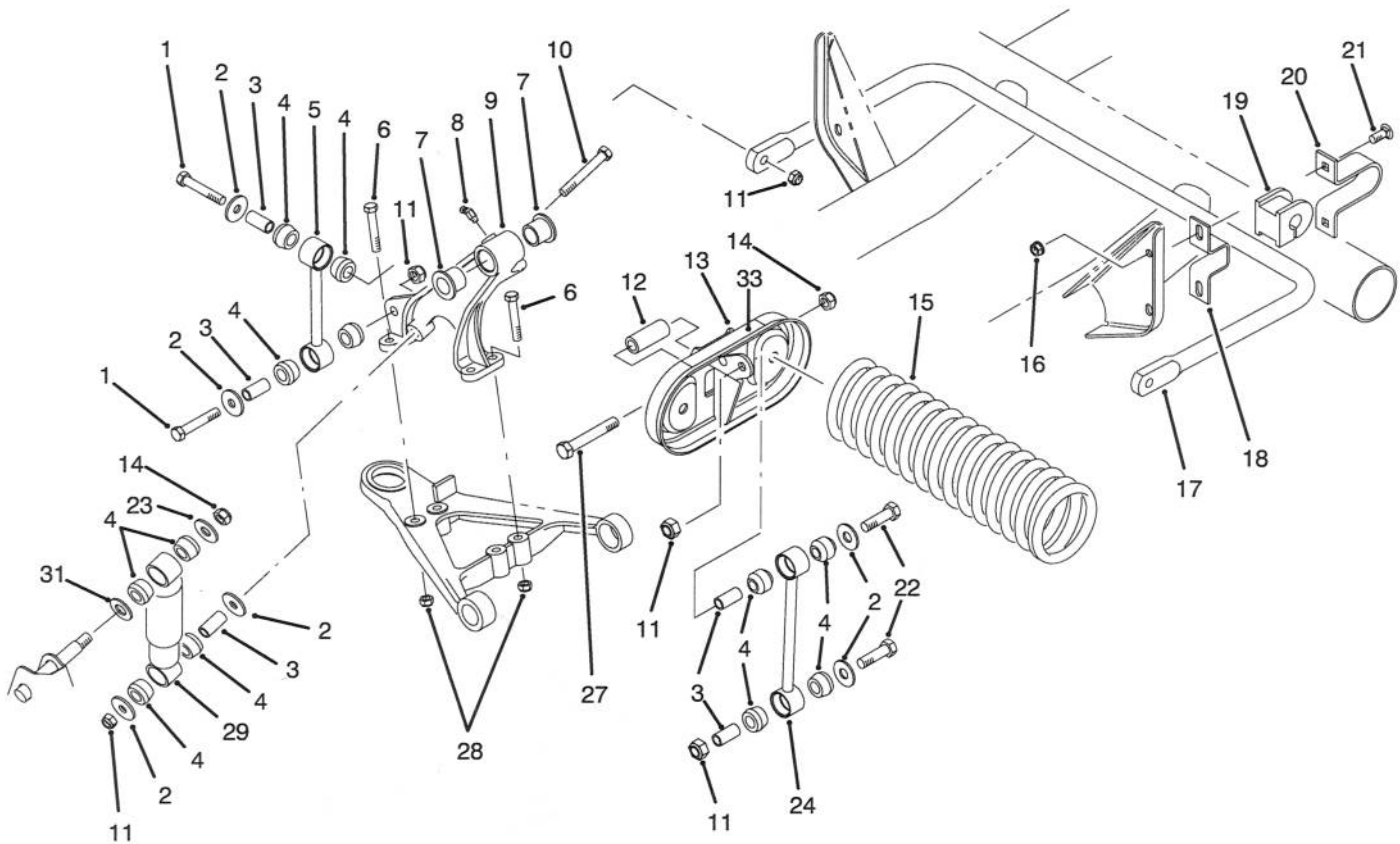


T-1592

## R.O.P.S. ASSEMBLY

Ref. No.	Part No.	Description	No. Used	Ref. No.	Part No.	Description	No. Used
1	87-7090	R.O.P.S. Frame Assembly (Incl. Ref. #2 & 3)	1	4	3234-40	Screw - Hex. Flange Hd.	4
‡2	87-5940	Decal - Rollover	1	5	32128-23	Nut - Flange Lock	4
‡3	87-5980	Decal - ROPS	2	6	87-6950	Receiver - LH	1
				7	87-6960	Receiver - RH	1

‡For different language versions of this part, see International Decal Cross Reference.



T-1593

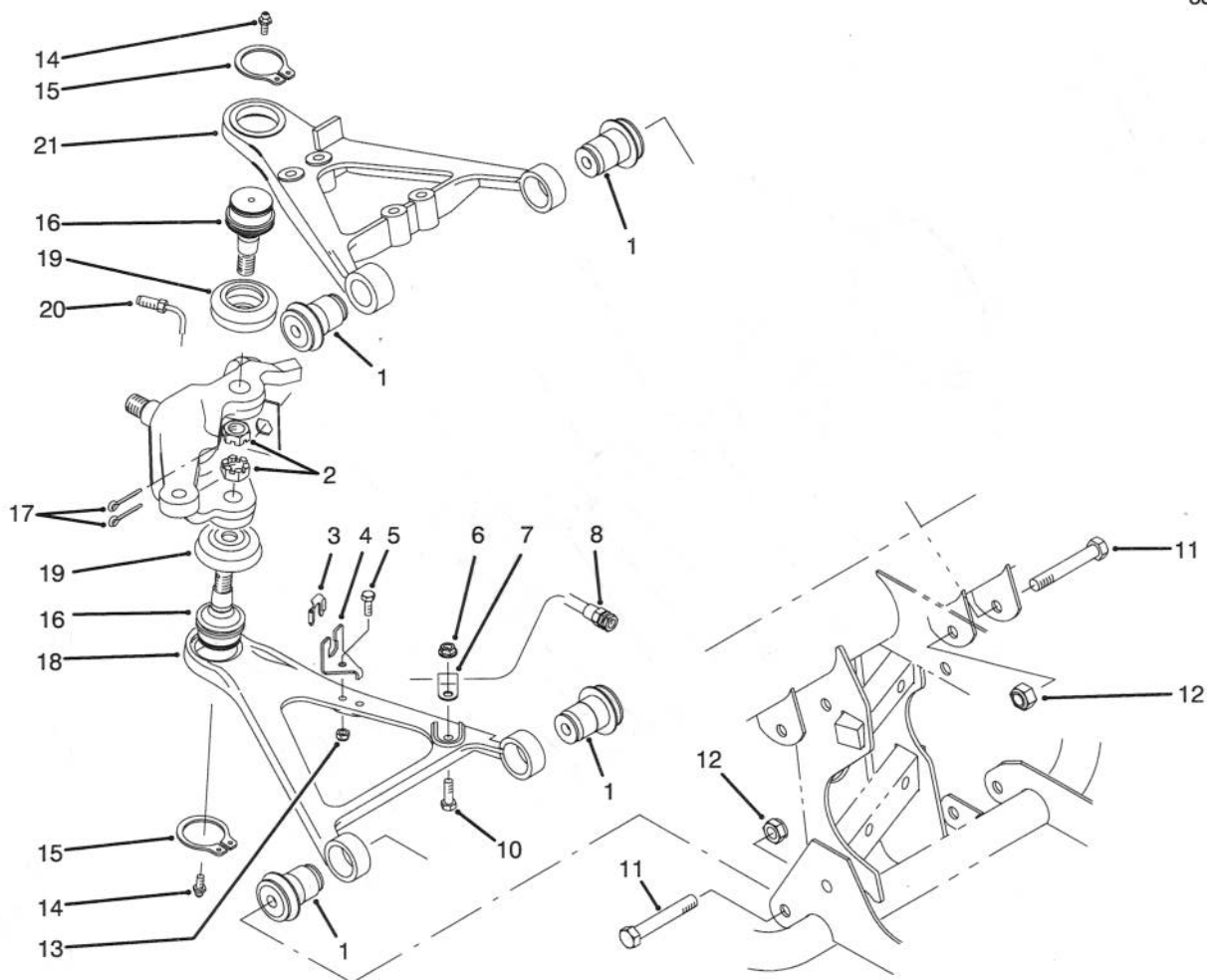
## FRONT SUSPENSION ASSEMBLY

Ref. No.	Part No.	Description	No. Used
1	324-10	Screw - Cap Hex. Hd.	4
2	87-5330	Washer	12
3	87-3600	Spacer	10
4	87-3920	Bushing - Rubber	24
5	87-3860	Link - Anti-Sway Bar	2
6	323-12	Screw - Cap Hex. Hd.	8
7	33-3090	Bushing - Flange	4
8	302-11	Fitting - Grease	2
9	87-0150	Tower - Control Arm RH	1
*	87-0160	Tower - Control Arm LH	1
10	324-13	Screw - Cap Hex. Hd.	2
11	3296-48	Nut - Lock	10
12	87-2500	Sleeve - Spring Pivot	2
13	87-7150	Spring Cradle Assembly (Incl. Ref. #33)	2
14	3296-23	Nut - Lock	4

Ref. No.	Part No.	Description	No. Used
15	87-0690	Spring - Compression	2
16	3290-357	Nut - Flange Lock	4
17	87-3850	Bar - Anti-Sway	1
18	87-3890	Bracket - Anti-Sway Bar	2
19	87-3910	Bushing - Anti-Sway Bar	2
20	87-4010	Clamp - Anti-Sway Bar	2
21	3231-3	Bolt - Carriage	4
22	324-9	Screw - Cap Hex. Hd.	4
24	87-2480	Link - Stabilizer	2
27	325-13	Screw - Cap Hex. Hd.	4
28	3296-39	Nut - Lock	8
29	87-3110	Absorber - Shock	2
31	3256-27	Washer - Flat	2
32	3256-6	Washer - Flat	2
‡33	44-0760	Decal - Warning	2

\*Not Illustrated

‡For different language versions of this part, see International Decal Cross Reference.

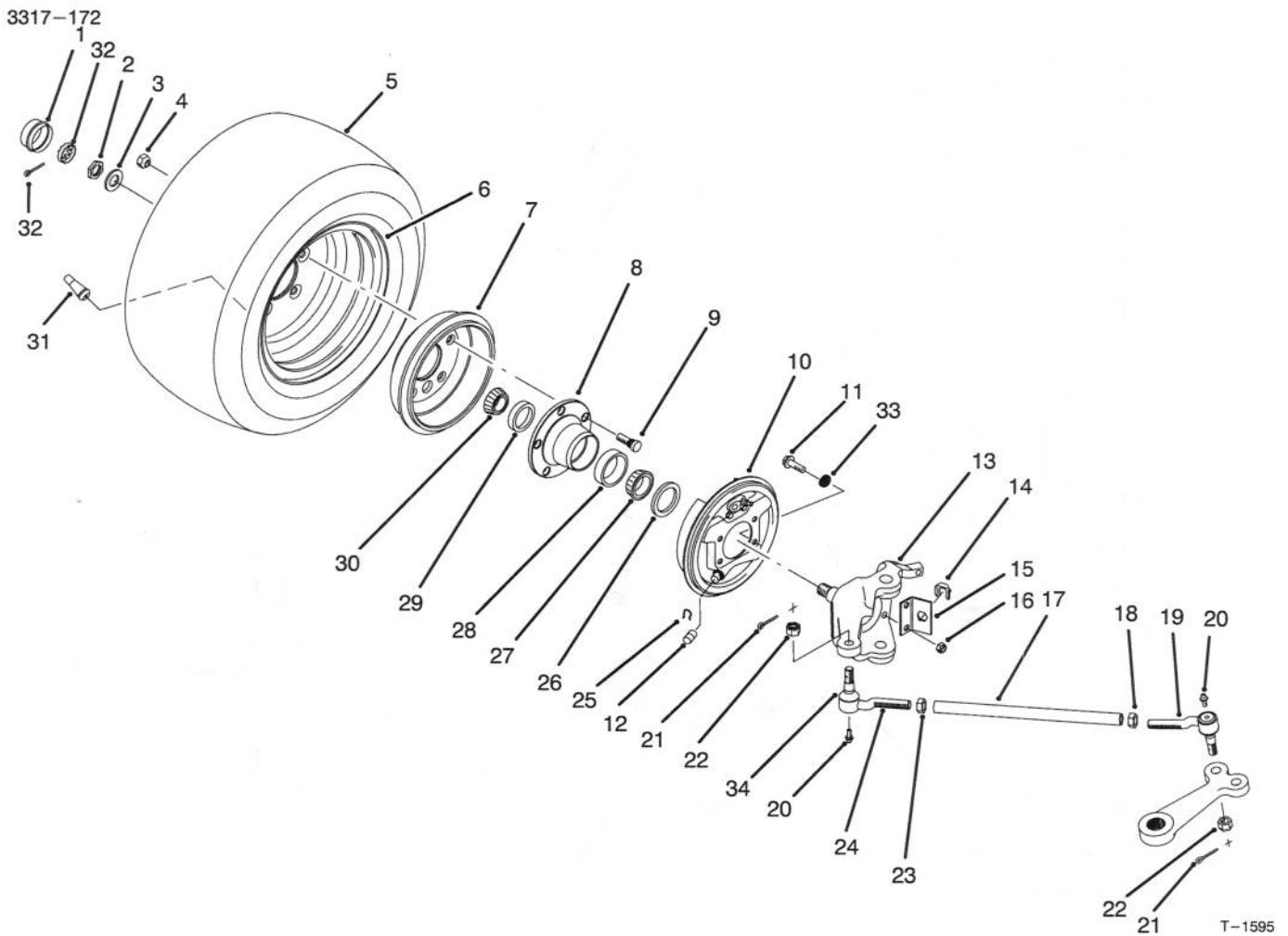


T-1594

## FRONT SUSPENSION CONTROL ARM ASSEMBLY

Ref. No.	Part No.	Description	No. Used	Ref. No.	Part No.	Description	No. Used
1	87-1450	Bushing - Rubber	8	14	302-5	Fitting - Grease	4
2	32136-2	Nut - Slotted	4	15	32151-104	Ring - Snap	4
3	87-3580	Retainer - Brake Hose	2	16	87-1430	Joint - Ball	4
4	87-2870	Bracket - Brake Hose	2	17	3272-12	Pin - Cotter	4
5	321-6	Screw - Cap Hex. Hd.	2	18	87-0210	Arm - Control Lower RH	1
6	32128-20	Nut - Flange Lock	2	*	87-0220	Arm - Control Lower LH	1
7	2412-10	Clamp - R	2	19	87-2420	Boot	4
8	87-2780	Hose - Brake Front	2	20	87-2800	Tube - Brake RH	1
10	322-5	Screw - Cap Hex. Hd.	2	*	87-2790	Tube - Brake LH	1
11	325-13	Screw - Cap Hex. Hd	8	21	87-0170	Arm - Control Upper RH	1
12	3296-23	Nut - Flange Lock	8	*	87-0180	Arm - Control Upper LH	1
13	3296-42	Nut - Lock	2				

\*Not Illustrated

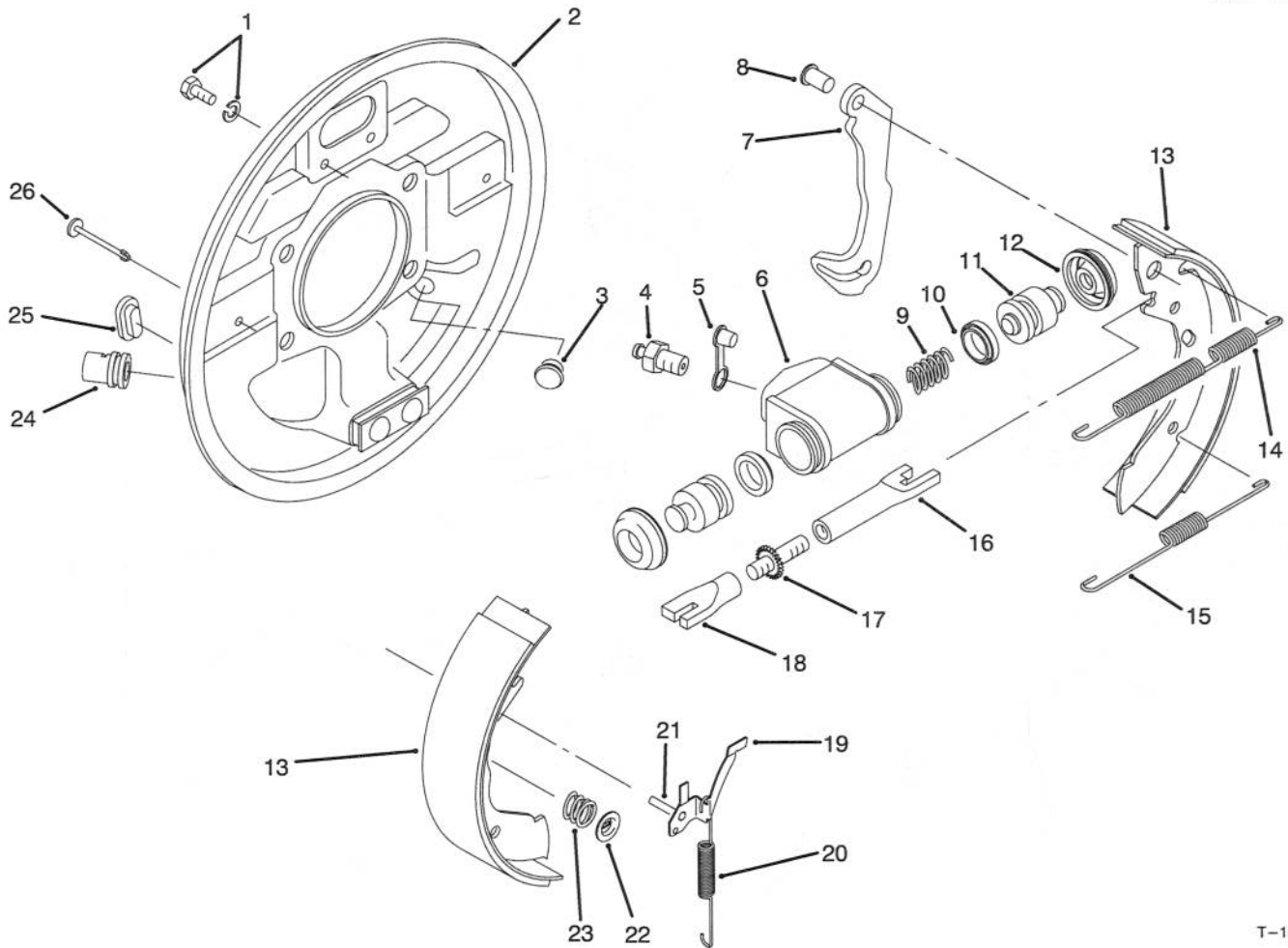


## FRONT WHEEL ASSEMBLY

Ref. No.	Part No.	Description	No. Used
1	241-119	Cap Dust	2
2	3220-7	Nut - Jam	2
3	93-0309	Washer - Tab	2
4	23-7270	Nut - Lug	10
5	87-3300	Tire	2
6	87-5720	Rim	2
7	87-0270	Drum - Brake	2
8	87-5560	Hub - Wheel	2
9	87-8730	Stud - Drive	10
10	87-3010	Brake Assembly - RH	1
*	87-3020	Brake Assembly - LH	1
11	323-8	Screw - Hex. Flange Hd.	8
12	87-3450	Plug	2
13	87-9430	Spindle - RH	1
*	87-9440	Spindle - LH	1
14	87-3580	Retainer	2
15	87-2820	Bracket - Hose	2
16	3296-39	Nut - Lock	8
17	87-2410	Rod - Tie	2
18	3218-21	Nut - Jam	2

Ref. No.	Part No.	Description	No. Used
19	87-1470	Rod End Assy. - LH Thread (Incl. Ref. # 20-22 & 34)	2
20	302-5	Fitting - Grease	4
21	3272-12	Pin - Cotter	4
22	32136-3	Nut - Slotted	4
23	3220-11	Nut - Jam	2
24	87-1480	Rod End Assy. - RH Thread (Incl. Ref. #20-22 & 34)	2
25	87-3310	Clip - Brake Cable	2
26	87-3590	Seal - Bearing	2
27	254-106	Cone - Bearing	2
28	254-107	Cup - Bearing	2
29	254-72	Cup - Bearing	2
30	254-94	Cone - Bearing	2
31	232-27	Stem - Valve	2
32	3272-12	Pin - Cotter	2
33	3253-21	Washer - Lock	8
34		Seal - Rod End	4
35	93-0307	Nut - Retainer	2
*	87-5340	Seal Kit - Tie Rod End (Incl. Ref. #20-22 & 34)	4

\*Not Illustrated

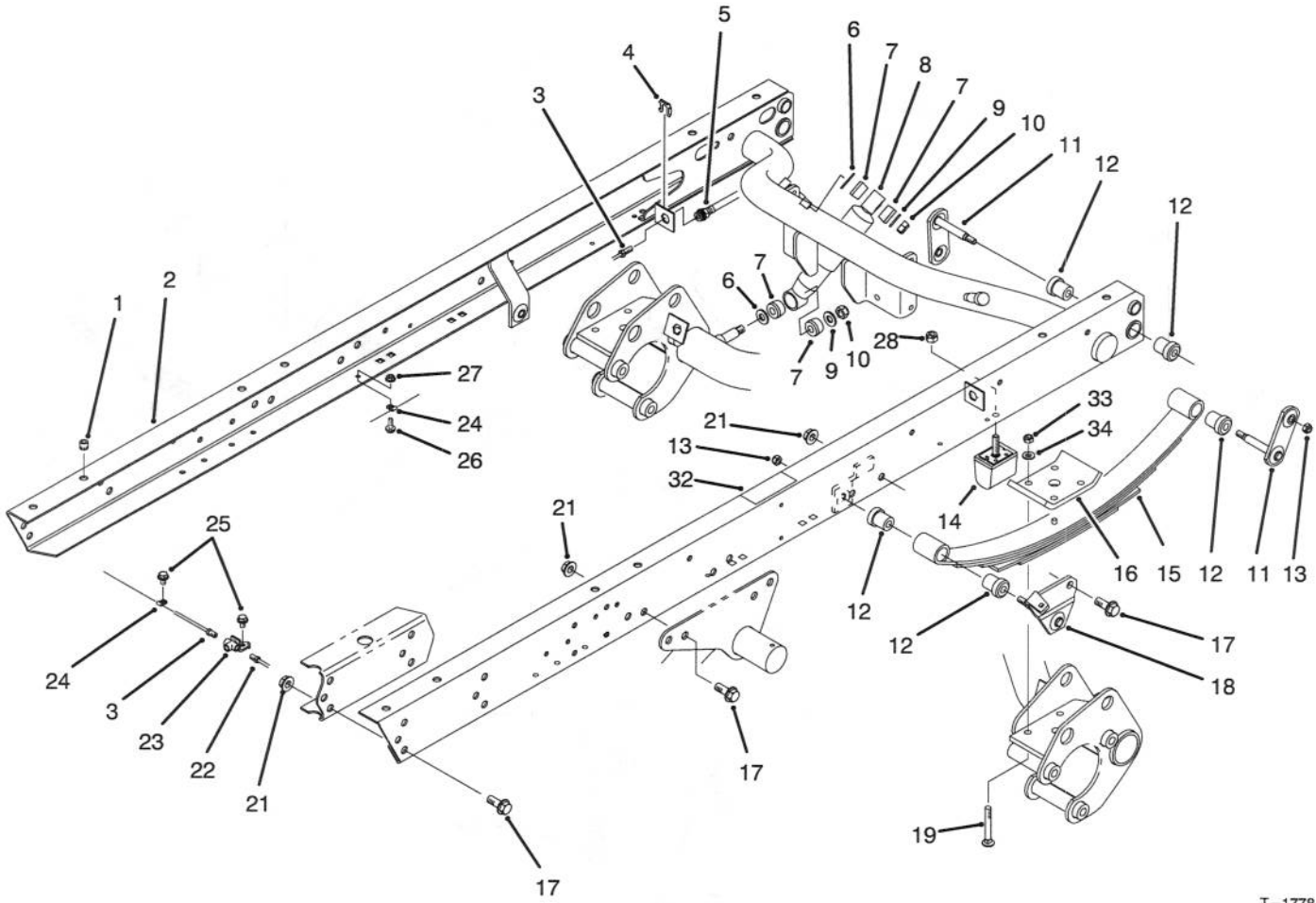


T-1596

## FRONT BRAKE ASSEMBLY

Ref. No.	Part No.	Description	No. Used	Ref. No.	Part No.	Description	No. Used
1	92-4135	Set Bolt	2	19	92-4123	Pawl Assembly - LH (Incl. Ref. #21)	1
2	92-4115	Backplate Assembly LH (Incl. Ref. #24)	1	*	92-4124	Pawl Assembly - RH (Incl. Ref. #21)	1
*	92-4116	Backplate Assembly RH (Incl. Ref. #24)	1	20	92-4129	Spring - Adjuster, LH	1
3	92-4125	Plug	1	*	92-4130	Spring - Adjuster, RH	1
4	92-4113	Screw - Bleed	1	21		Pin - Pawl	1
5	92-4114	Cap - Bleed Screw	1	22	92-4131	Washer - Hold Down	2
6		Body	1	23	92-4132	Spring - Hold Down	2
7		Lever - Operating LH/RH	1	24		Guide - Pipe	1
8		Pin	1	25	92-4134	Plug - Inspection	1
9		Spring	1	26	92-4133	Pin - Hold Down	2
10		Seal - 'L' Type	2	*	92-4121	Adjuster Assembly - LH (Incl. Ref. #16-18)	1
11		Piston	2	*	92-4122	Adjuster Assembly - RH (Incl. Ref. #16-18)	1
12		Cover - Dust	2	*	92-4117	Wheel Cylinder Assy. - LH (Incl. Ref. #4-6 & 9-12)	1
13	92-4120	Shoe & Lining Set (4 Shoes) (Incl. Ref. #7 & 8)	1	*	92-4118	Wheel Cylinder Assy. - RH (Incl. Ref. #4-6 & 9-12)	1
14	92-4126	Spring - Shoe, Upper LH	1	*	92-4119	Kit - Seal (Incl. Ref. #10 & 12)	1
*	92-4127	Spring - Shoe, Upper RH	1	*	87-3010	Front Brake Assembly - RH (Complete)	1
15	92-4128	Spring - Shoe, Lower	1	*	87-3020	Front Brake Assembly - LH (Complete)	1
16		Pushrod - Female LH	1				
*		Pushrod - Female RH	1				
17		Bolt - Adjuster	1				
18		Sleeve - Adjuster	1				

\*Not Illustrated



T-1778

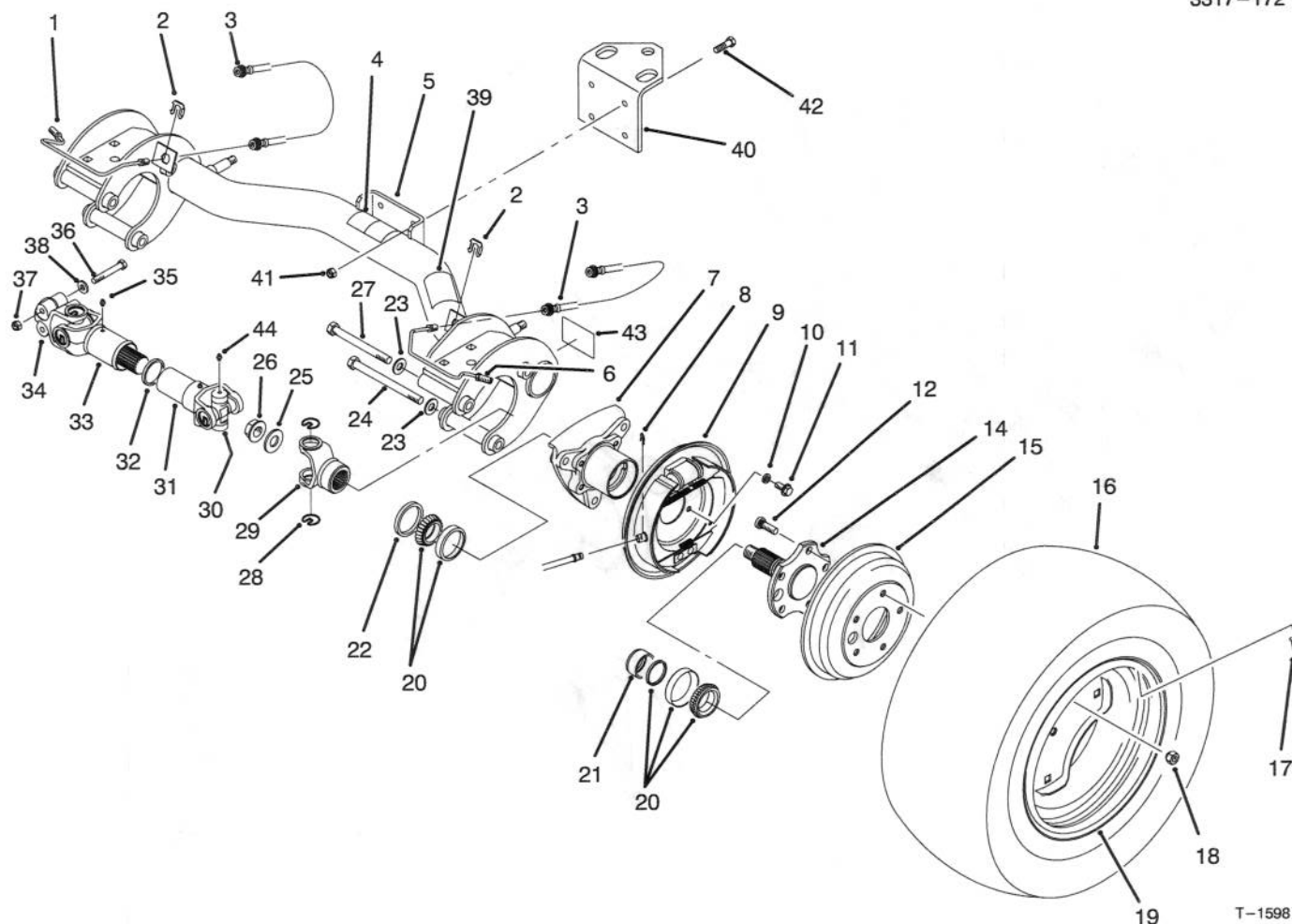
## REAR FRAME ASSEMBLY

Ref. No.	Part No.	Description	No. Used
1	32148-10	Insert - Threaded	8
2	87-8440	Rear Frame Assembly (Incl. Ref. #32)	1
3	87-3270	Tube - Brake RH	1
4	87-3580	Retainer	2
5	87-4100	Hose - Brake	2
6	3256-27	Washer - Flat	8
7	87-3920	Bushing - Rubber	8
8	87-3110	Shock Absorber	2
9	3256-6	Washer - Flat	4
10	3296-23	Nut - Lock	4
11	87-3980	Shackle - Spring	4
12	87-4760	Bushing	12
13	3296-39	Nut - Lock	6
14	87-3470	Bumper - Spring	2
15	87-1490	Spring - Leaf	2

Ref. No.	Part No.	Description	No. Used
16	87-7470	Plate - Clamp	2
17	3234-38	Screw - Hex. Flange Hd.	22
18	87-3960	Mount - Spring LH	1
*	87-3940	Mount - Spring RH	1
19	3232-17	Bolt - Carriage	8
21	32128-23	Nut - Flange Lock	22
22	87-3280	Tube - Brake LH	1
23	87-3560	Tee - Brake Tube	1
24	2412-149	Clamp - Tube	5
25	32104-82	Screw - Hex. Flange Hd.	2
26	321-4	Screw - Hex. Flange Hd.	4
27	32128-33	Nut - Flange Lock	4
28	48-9520	Nut - Lock	2
‡32	66-6840	Decal - Caution	1
33	3296-76	Nut - Lock	8
34	87-7480	Washer - Flat	8

\*Not Illustrated

‡For different language versions of this part, see International Decal Cross Reference.



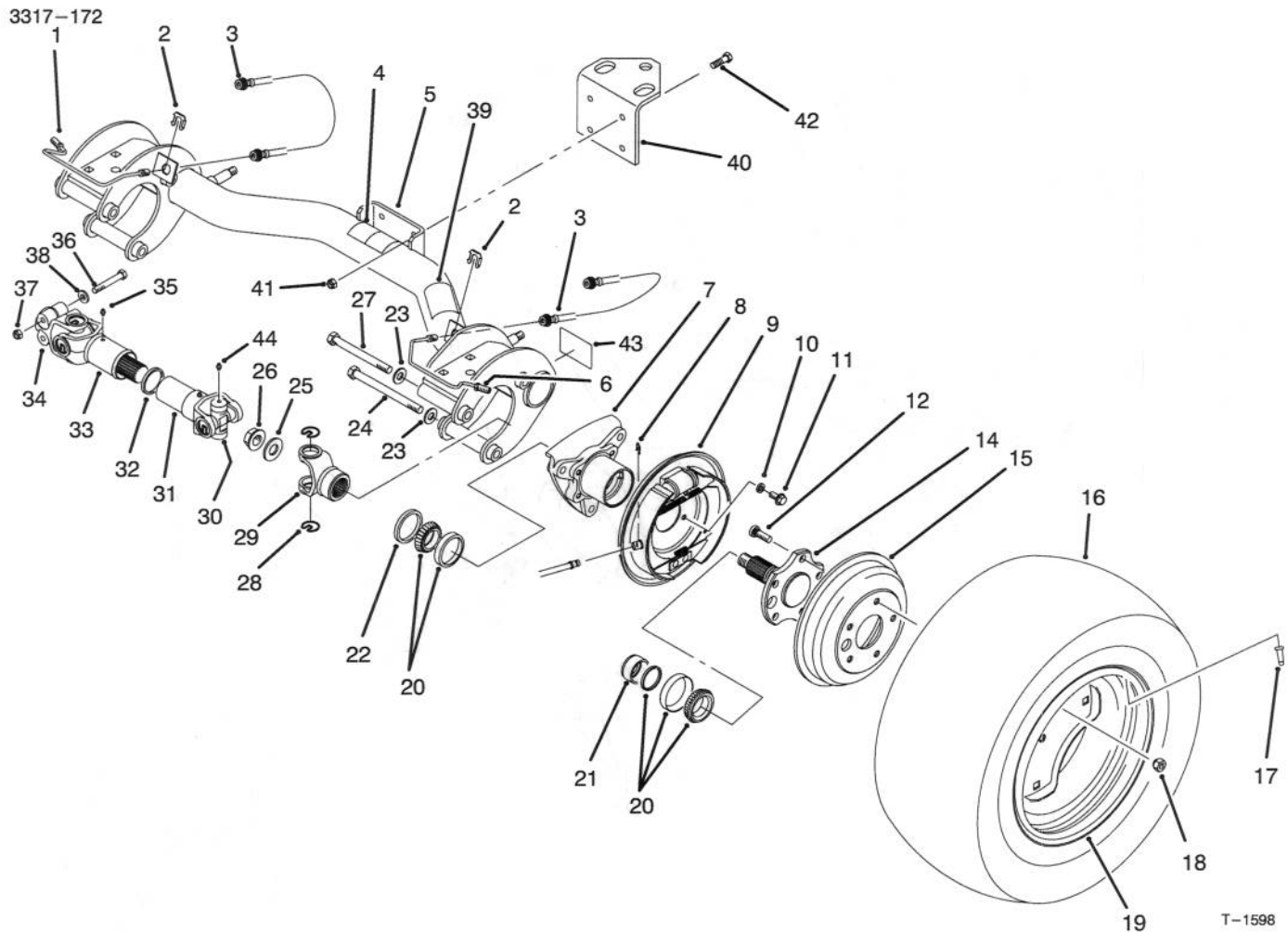
T-1598

## REAR AXLE ASSEMBLY

Ref. No.	Part No.	Description	No. Used	Ref. No.	Part No.	Description	No. Used
1	87-4090	Tube - Brake RH	1	20	87-1970	Bearing Matched Set	2
2	87-3580	Retainer - Brake Hose	2	21	87-4060	Spacer - Bearing	2
3	87-4100	Hose - Brake	2	22	87-3590	Seal - Bearing	2
‡4	87-6060	Decal - ATF	1	23	87-7270	Washer - Flat	6
5	87-7110	Rear Axle Assembly (Incl. Ref. #4, 39 & 43)	1	24	325-20	Screw - Cap Hex. Hd.	5
6	87-4080	Tube - Brake LH	1	25	87-3060	Washer - Flat	2
7	87-2240	Housing - Axle	2	26	32128-53	Nut - Flange Lock	2
8	87-3310	Clip - Brake Cable	2	27	325-19	Screw - Cap Hex. Hd.	1
9	87-3840	Brake Assembly LH	1	28	92-4188	Ring - Snap	16
*	87-3830	Brake Assembly RH	1	29	92-4183	Yoke - End	2
10	3253-21	Washer - Lock	8	30	92-4187	Cross & Bearing Kit	4
11	323-6	Screw - Cap Hex. Hd.	8	31	92-4182	Yoke & Hub Assembly (Incl. Ref. #28)	2
12	87-8730	Stud - Drive	10	32	92-4180	Seal	2
14	87-8740	Stub - Axle	2	33	92-4179	Yoke, Shaft & Seal	2
15	87-1840	Drum - Brake	2	34	92-4177	Yoke - Double Clamp	2
16	87-6740	Tire - Rear 24"	2	35	302-5	Fitting - Grease	2
*	87-3290	Tire - Rear 23" (Optional)	2	36	87-8700	Screw - Cap Hex. Hd.	4
17	232-27	Valve - Stem	2	37	32128-36	Nut - Lock	4
18	23-7270	Nut - Lug	10	38	80-6990	Washer	4
19	87-6750	Rim - Rear 24"	2	‡39	87-5990	Decal - PTO	1
*	87-3000	Rim - Rear 23" (Optional)	2	40	92-5951	Angle - Hitch	1
				41	3296-39	Nut - Lock	4
				42	323-7	Screw - Cap Hex. Hd.	4

\*Not Illustrated

‡For different language versions of this part, see International Decal Cross Reference.

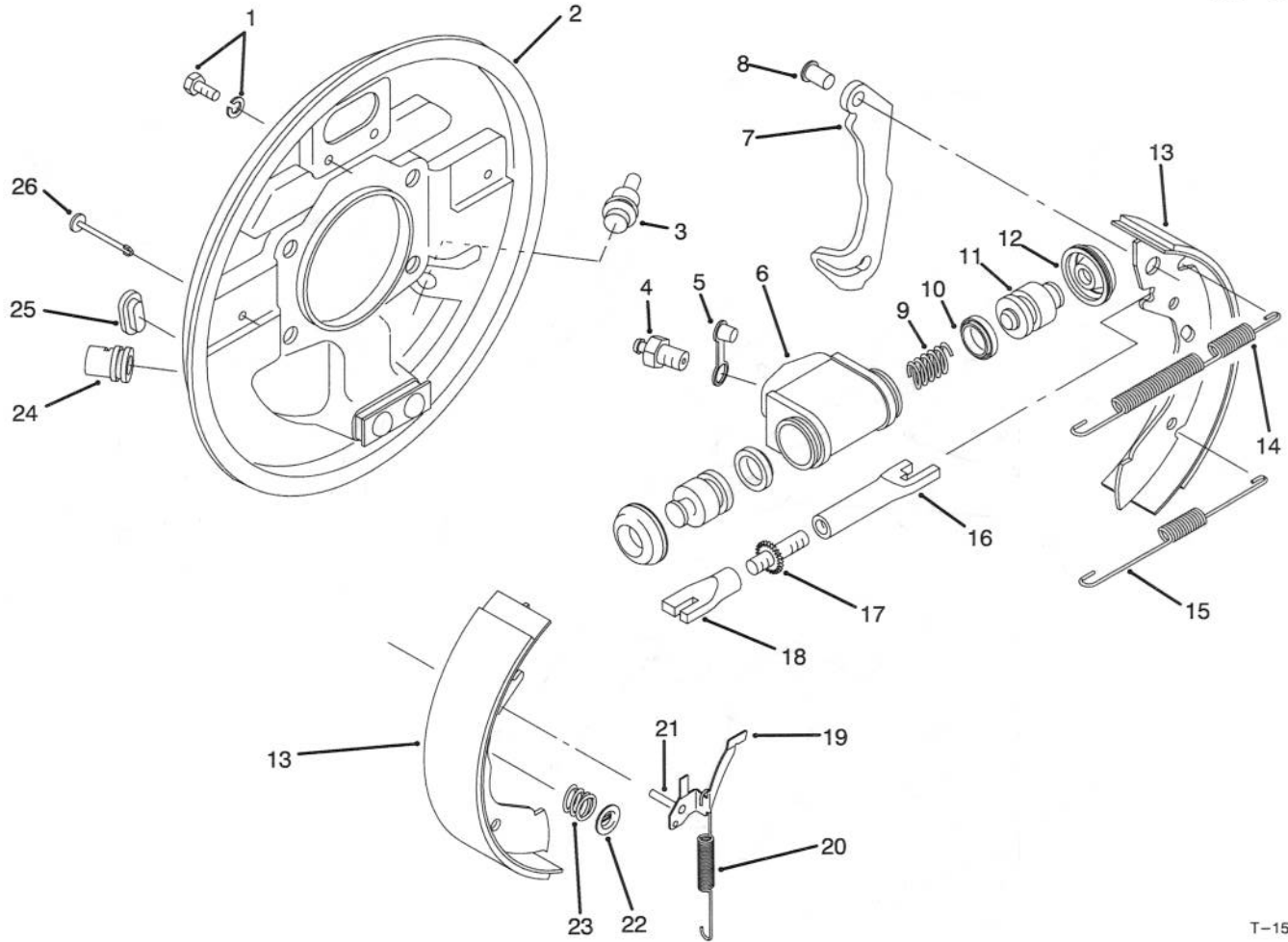


## REAR AXLE ASSEMBLY (Continued)

Ref. No.	Part No.	Description	No. Used
43	87-9080	Decal - Grease	2
44	302-58	Fitting - Grease	16
*	87-8750	Driveshaft Assembly (Incl. Ref. #28-35)	2

Ref. No.	Part No.	Description	No. Used
*	87-5370	Rear Tire & Wheel Assembly (24")	2
*	87-6370	Rear Tire & Wheel Assembly (23")	2

\*Not Illustrated



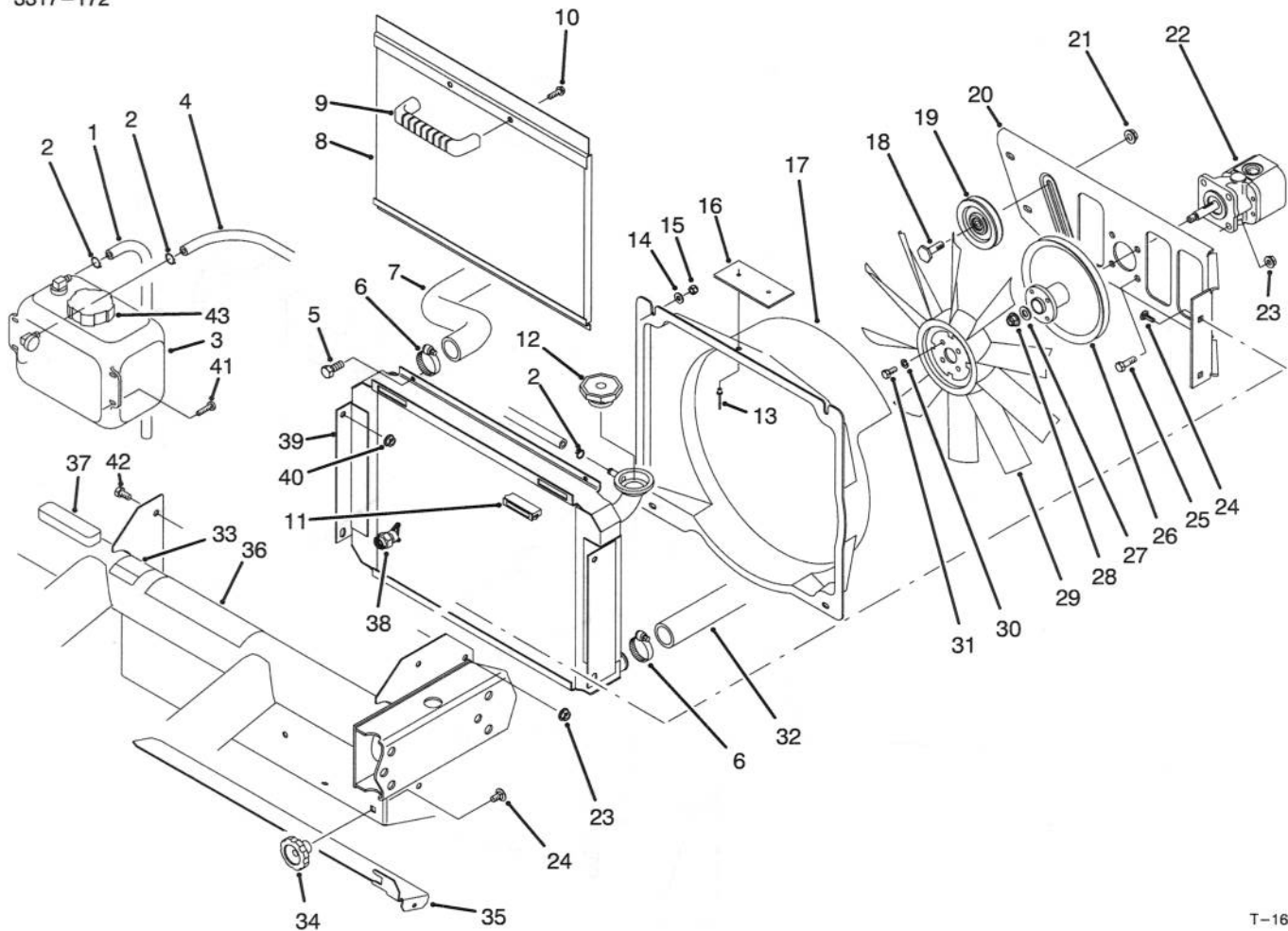
## REAR BRAKE ASSEMBLY

T-1599

Ref. No.	Part No.	Description	No. Used
1	92-4135	Set Bolt	2
2	92-4138	Backplate Assembly LH (Incl. Ref. #24)	1
*	92-4139	Backplate Assembly RH (Incl. Ref. #24)	1
3	92-4146	Plug	1
4	92-4137	Screw - Bleed	1
5	92-4114	Cap - Bleed Screw	1
6		Body	1
7		Lever - Operating LH/RH	1
8		Pin	1
9		Spring	1
10		Seal - 'L' Type	2
11		Piston	2
12		Cover - Dust	2
13	92-4143	Shoe & Lining Set (4 Shoes) (Incl. Ref. #7 & 8)	1
14	92-4147	Spring - Shoe, Upper LH	1
*	92-4148	Spring - Shoe, Upper RH	1
15	92-4149	Spring - Shoe, Lower	1
16		Pushrod - Female LH	1
*		Pushrod - Female RH	1
17		Bolt - Adjuster	1
18		Sleeve - Adjuster	1

Ref. No.	Part No.	Description	No. Used
19	92-4123	Pawl Assembly - LH (Incl. Ref. #21)	1
*	92-4124	Pawl Assembly - RH (Incl. Ref. #21)	1
20	92-4150	Spring - Adjuster, LH	1
*	92-4151	Spring - Adjuster, RH	1
21		Pin - Pawl	1
22	92-4131	Washer - Hold Down	2
23	92-4152	Spring - Hold Down	2
24		Guide - Pipe	1
25	92-4134	Plug - Inspection	1
26	92-4133	Pin - Hold Down	2
*	92-4144	Adjuster Assembly - LH (Incl. Ref. #16-18)	1
*	92-4145	Adjuster Assembly - RH (Incl. Ref. #16-18)	1
*	92-4140	Wheel Cylinder Assy. - LH (Incl. Ref. #4-6 & 9-12)	1
*	92-4141	Wheel Cylinder Assy. - RH (Incl. Ref. #4-6 & 9-12)	1
*	92-4142	Seal Kit (Incl. Ref. #10 & 12)	1
*	87-3830	Rear Brake Assembly - RH (Complete)	1
*	87-3840	Rear Brake Assembly - LH (Complete)	1

\*Not Illustrated

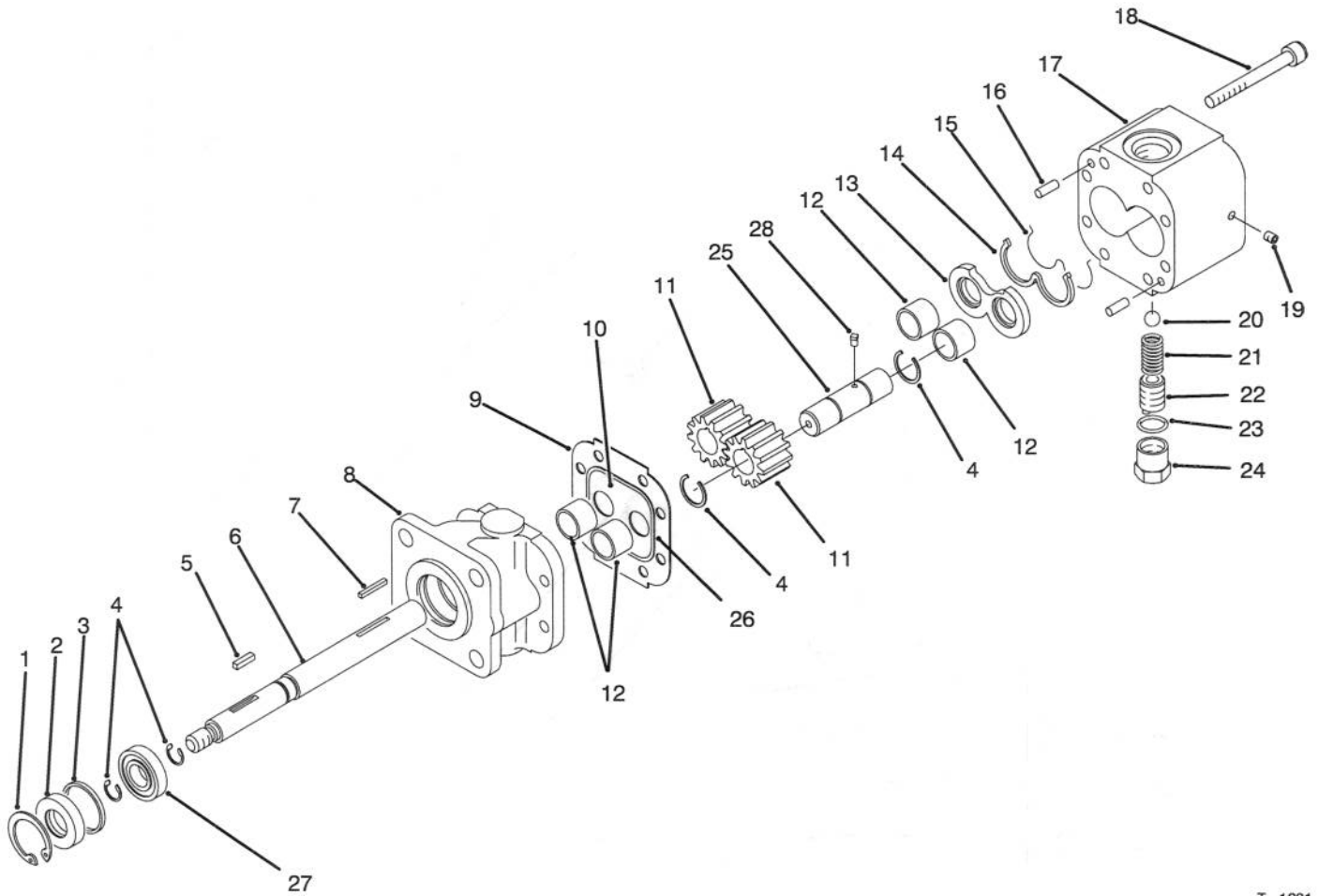


T-1659

## RADIATOR & HYDRAULIC PUMP ASSEMBLY

Ref. No.	Part No.	Description	No. Used	Ref. No.	Part No.	Description	No. Used
1	71-3381	Tube - Overflow	1	22	87-5700	Hydraulic Pump Assembly	1
2	92-2379	Clamp - Hose	3	23	3296-29	Nut - Flange Lock	8
3	87-3710	Overflow Reservoir Assy. (Incl. Ref. #43)	1	24	3230-23	Bolt - Carriage	5
4	71-3383	Hose - Overflow	1	25	322-5	Screw - Cap Hex. Hd.	4
5	321-4	Screw - Cap Hex. Hd.	4	26	87-7320	Pulley	1
6	2412-34	Clamp - Hose	2	27	3256-45	Washer - Flat	1
7	87-7330	Hose - Radiator Upper	1	28	3296-5	Nut - Lock	1
8	87-2000	Screen - Radiator	1	29	84-1880	Fan	1
9	65-5100	Handle	1	30	3253-3	Washer - Lock	4
10	46-8091	Screw - Hex. Flange Hd.	2	31	321-3	Screw - Cap Hex. Hd.	4
11	58-4250	Magnet	2	32	87-4150	Hose - Radiator Lower	1
12	66-3240	Cap - Radiator	1	‡33	83-9150	Decal - Starting Fluid	1
13	3290-271	Rivet - Pop	2	34	19-4050	Knob	1
14	3256-22	Washer - Flat	4	35	87-9300	Door - Cleanout	1
15	3296-42	Nut - Lock	4	‡36	87-9420	Decal - Caution	1
‡16	76-8750	Plate - Warning	1	37	87-9810	Foam - Overflow Tank	1
17	87-7120	Fan Shroud Assembly (Incl. Ref. #13 & 16)	1	38	92-4111	Petcock - Radiator	1
18	32141-86	Screw - Leveler	1	39	87-5570	Radiator Assembly (Incl. Ref. #38)	1
19	63-8140	Pulley	1	40	32128-20	Nut - Lock	4
20	87-8230	Support - Fan	1	41	3250-20	Screw - Round Hd.	4
21	3290-357	Nut - Lock	1	42	322-2	Screw - Cap Hex. Hd.	4
				43	87-7050	Cap - Overflow Tank	1

‡For different language versions of this part, see International Decal Cross Reference.

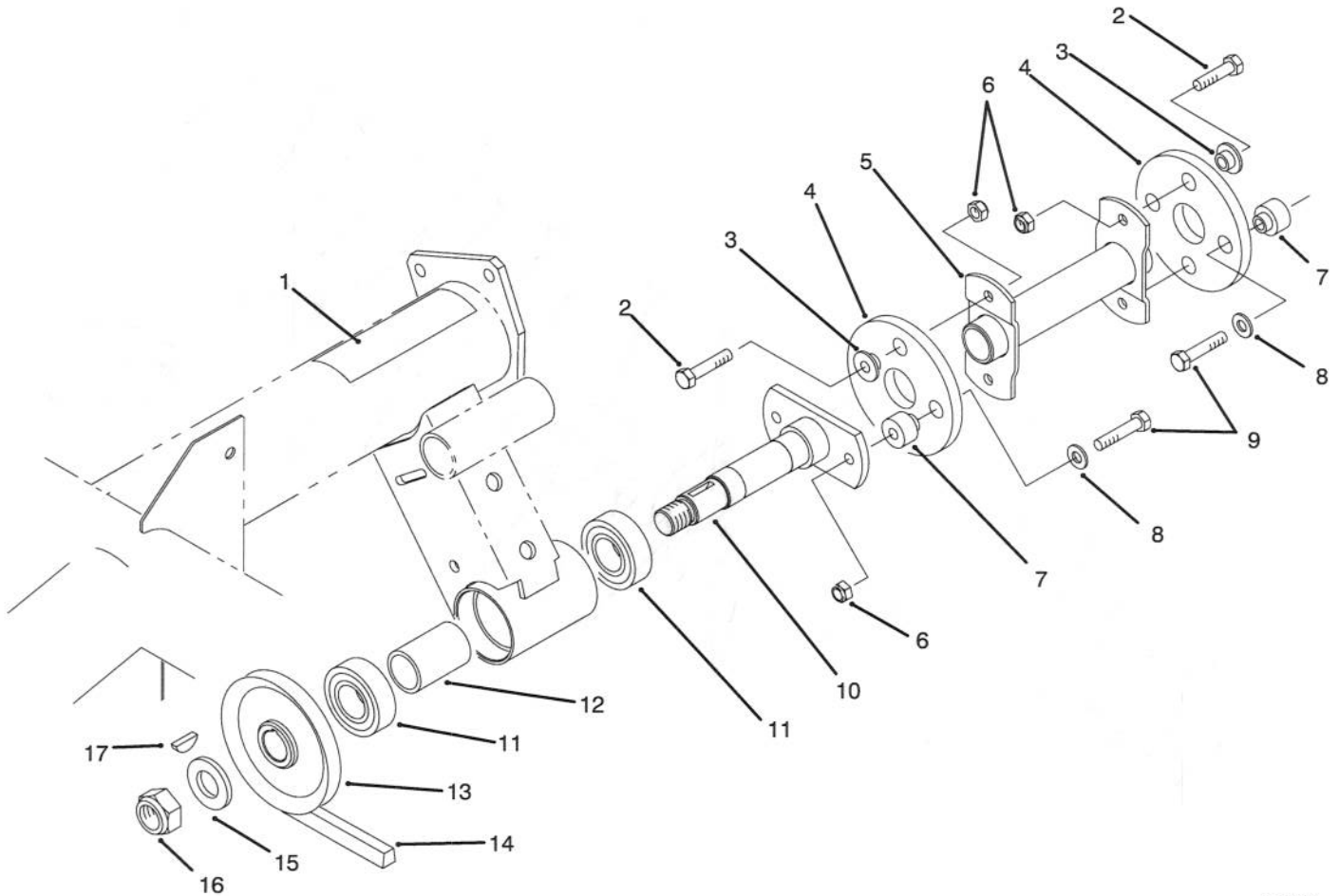


T-1601

## HYDRAULIC PUMP ASSEMBLY NO. 87-5700

Ref. No.	Part No.	Description	No. Used
1	32151-41	Ring - Retaining	1
2	92-2195	Seal - Oil	1
3	92-2186	Spacer	1
4	92-2178	Ring - Crescent	4
5	92-2179	Key - Square	1
6	92-2189	Shaft - Drive	1
7	92-2177	Pin - Shear	1
8	92-2188	Stator	1
9	92-2182	Plate - Seal	1
10	92-2183	Plate - Wear	1
11	92-2175	Gear	2
12	92-2192	Bearing	4
13	92-2181	Plate - Pressure	1
14	92-2197	Seal - Back Up	1

Ref. No.	Part No.	Description	No. Used
15	92-2196	Seal - Pressure Plate	1
16	92-2176	Pin - Dowel	2
17	92-2187	Housing - Gear, End	1
18	92-2173	Screw - Cap Socket Head	8
19	92-2185	Plug	1
20	92-2193	Ball	1
21	92-2194	Spring	1
22	92-2174	Screw - Adjusting	1
23	92-2180	Gasket - Copper	1
24	92-2184	Cap - Relief Valve	1
25	92-2190	Shaft - Idler	1
26	92-2198	Seal	1
27	92-2191	Bearing	1
28	92-2199	Key - Ball	1



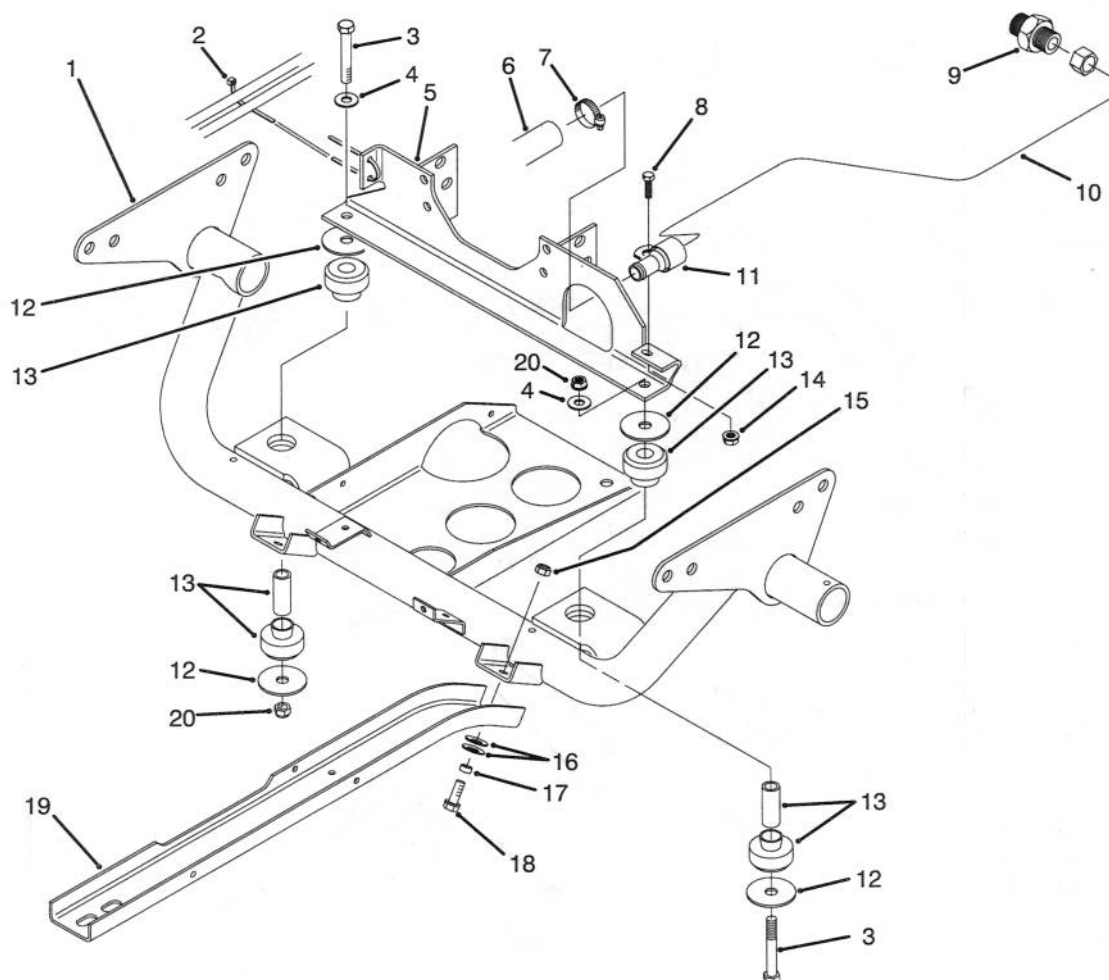
T-1660

## HYDRAULIC PUMP DRIVE ASSEMBLY

Ref. No.	Part No.	Description	No. Used
‡1	80-8040	Decal - Caution	1
2	322-5	Screw - Cap Hex. Hd.	4
3	27-6600	Spacer - Thin	4
4	44-2230	Disc - Rubber	2
5	87-4120	Driveshaft	1
6	3296-29	Nut - Lock	6
7	27-6590	Spacer - Thick	4
8	3256-3	Washer - Flat	4
9	322-7	Screw - Cap Hex. Hd.	4

Ref. No.	Part No.	Description	No. Used
10	87-2720	Driveshaft	1
11	251-82	Bearing - Ball	2
12	87-2750	Spacer - Bearing	1
13	87-3370	Pulley	1
14	87-3210	Belt - V	1
15	3256-28	Washer - Flat	1
16	3296-15	Nut - Lock	1
17	3257-7	Key - Woodruff	1

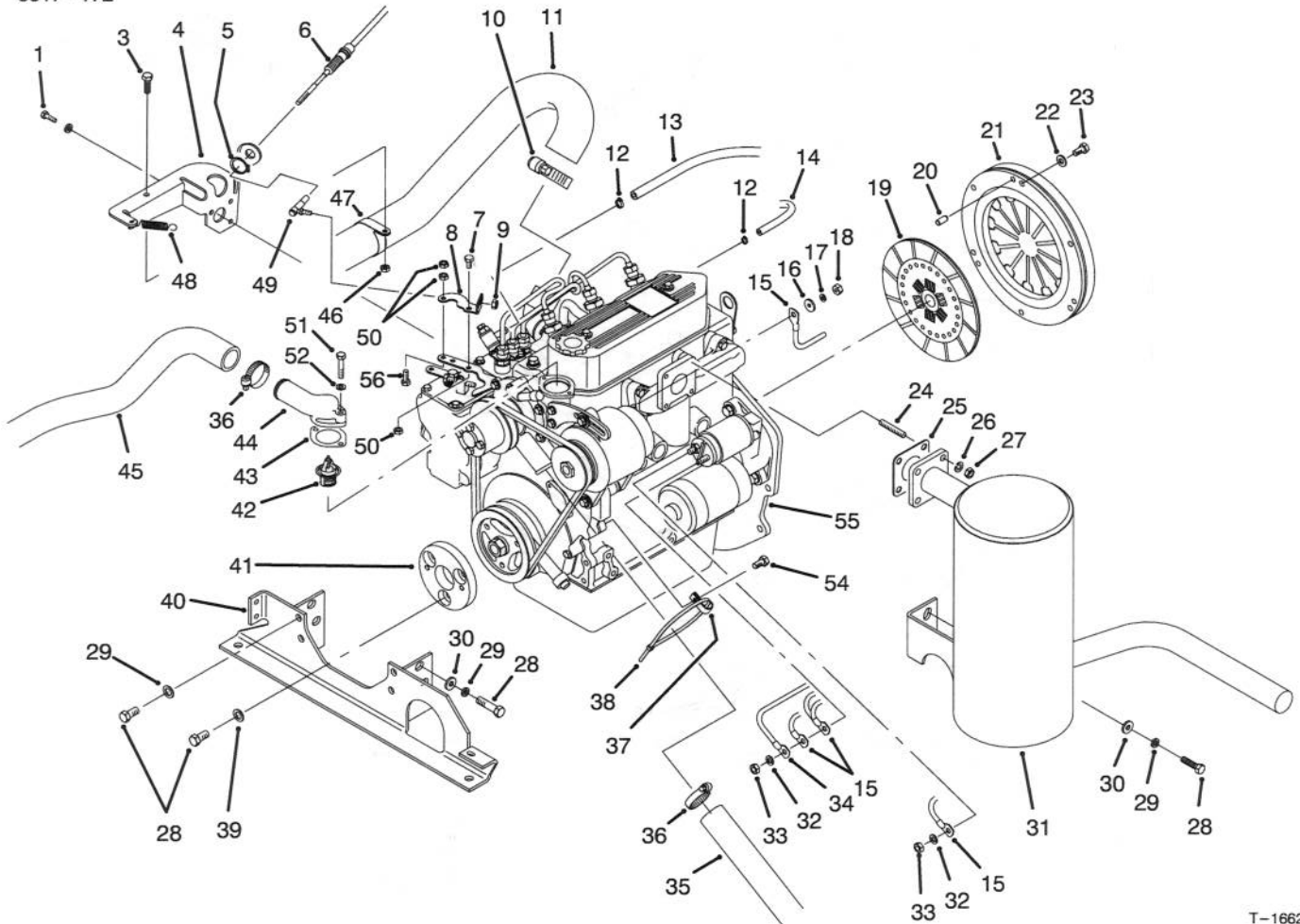
‡For different language versions of this part, see International Decal Cross Reference.



T-1661

## ENGINE FRAME ASSEMBLY

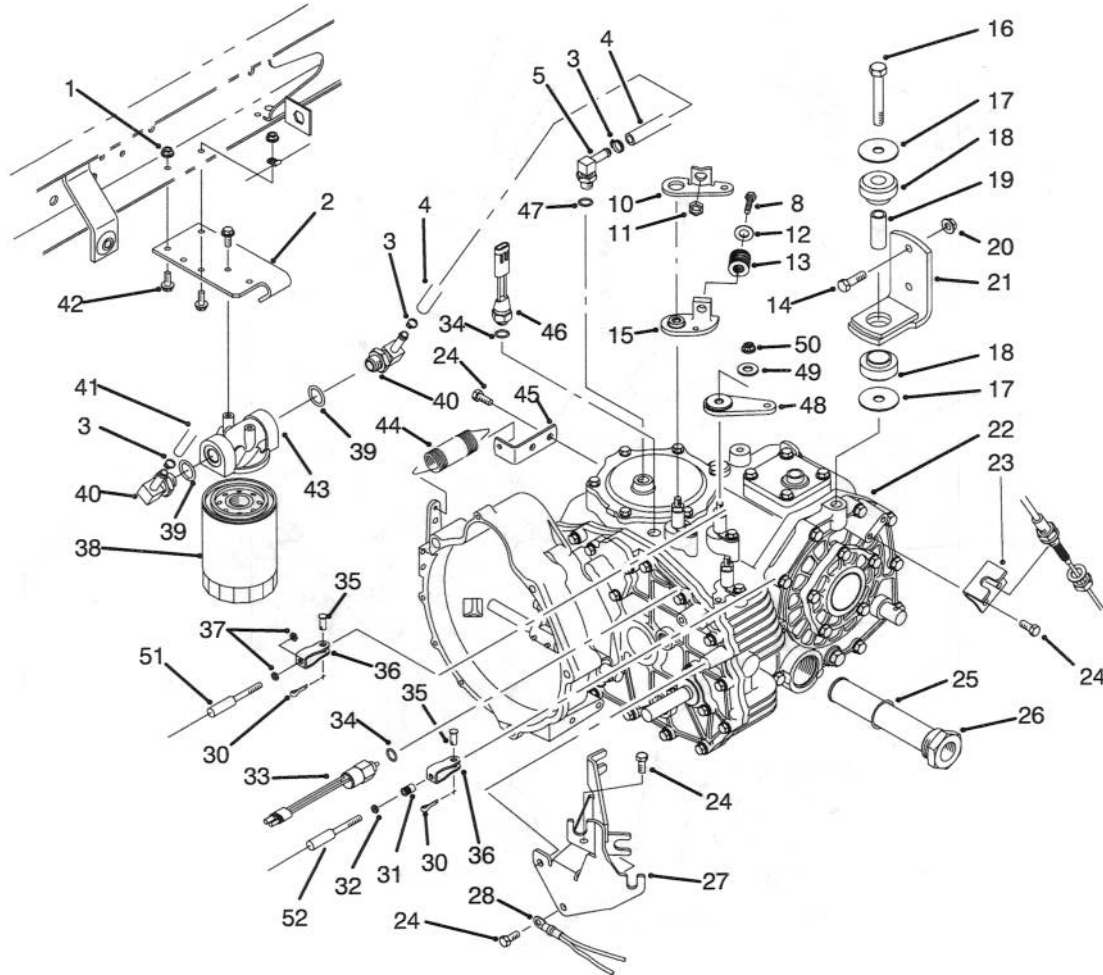
Ref. No.	Part No.	Description	No. Used	Ref. No.	Part No.	Description	No. Used
1	87-1940	Frame - Engine	1	11	2412-106	Clamp - R	1
2	3290-378	Tie - Cable	1	12	87-5100	Washer - Flat	4
3	324-12	Screw - Cap Hex. Hd.	2	13	87-4970	Engine Mount Assembly	2
4	3256-25	Washer - Flat	2	14	32128-33	Nut - Flange	1
5	87-5000	Mount - Engine	1	15	3296-39	Nut - Lock	6
6	87-7350	Hose - Suction	1	16	3290-413	Washer - Belleville	12
7	2412-34	Clamp - Hose	1	17	76-9100	Spacer	6
8	321-4	Screw - Cap Hex. Hd.	1	18	3234-11	Screw - Cap Hex. Hd.	6
9	87-7290	Fitting - Hydraulic	1	19	87-4730	Guard - Belly	2
10	87-6900	Tube - Hydraulic	1	20	3296-48	Nut - Lock	2



## ENGINE INSTALLATION ASSEMBLY

Ref. No.	Part No.	Description	No. Used
1	42-9440	Screw - Cap Hex. Hd.	3
3	322-3	Screw - Cap Hex. Hd.	1
4	87-5870	Bracket - Cable	1
5	32120-47	Ring - Retaining	1
6	87-8610	Cable - Accelerator	1
7	321-2	Screw - Cap Hex. Hd.	1
8	87-7440	Plate - Throttle	1
9	3296-3	Nut - Lock	1
10	2412-92	Clamp	1
11	87-4050	Hose - Air Intake	1
12	2412-108	Clamp	2
13	27-5360	Hose - Fuel	1
14	75-4706	Hose	1
15	87-4250	Harness - Wire	1
16	5-3637	Washer - Flat	1
17	43-5920	Washer - Lock	1
18	48-7880	Nut - Lock	1
19	87-4700	Disc - Clutch	1
20	51-5610	Pin - Alignment	3
21	87-4690	Cover - Clutch	1
22	3253-4	Washer - Lock	6
23	48-7700	Screw - Cap Hex. Hd.	6
24	42-9570	Stud - Muffler	4
25	42-9110	Gasket - Muffler	1
26	42-9850	Washer - Lock	4
27	48-7930	Nut	4
28	63-7790	Screw - Cap Hex. Hd.	13

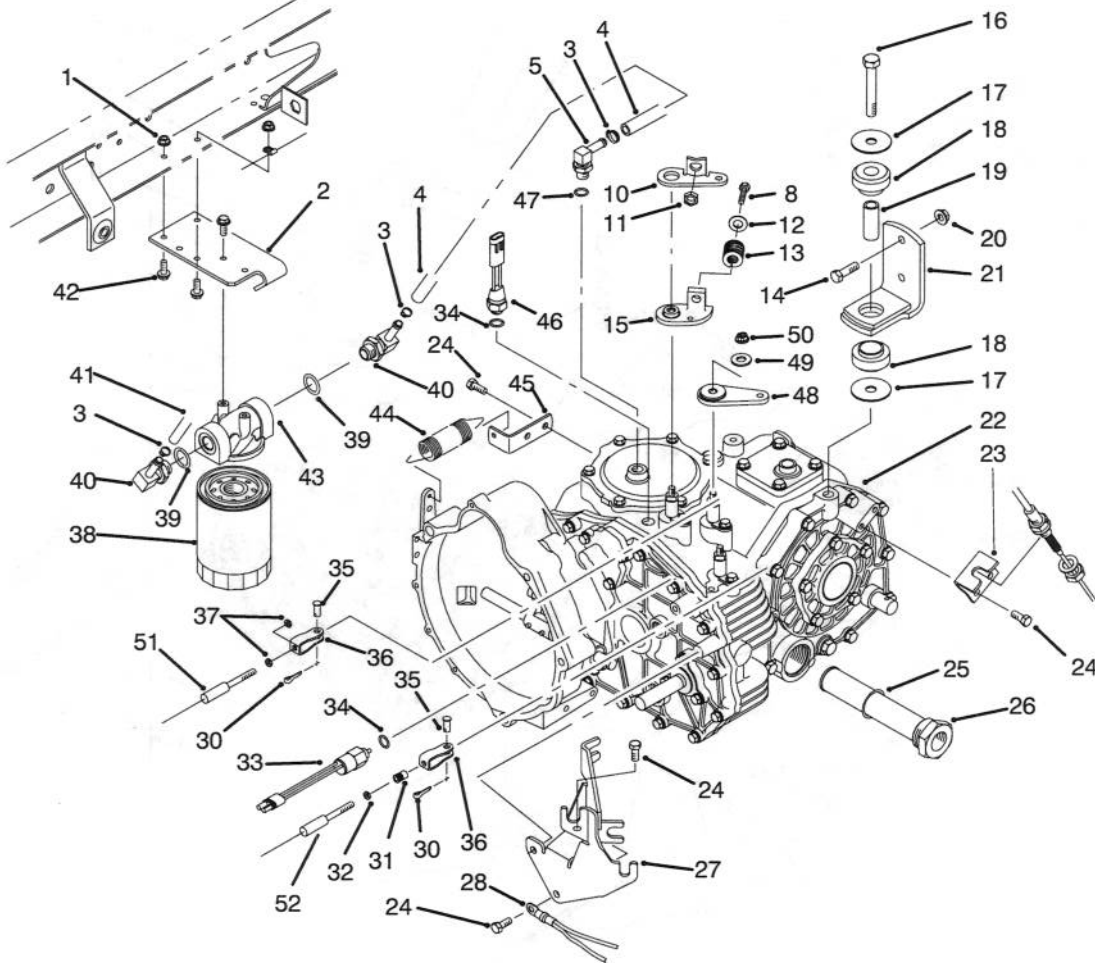
Ref. No.	Part No.	Description	No. Used
29	48-9590	Washer - Lock	10
30	3256-25	Washer	6
31	87-6730	Muffler	1
32	3254-2	Washer - Lock	2
33	42-9580	Nut - Lock	2
34	87-3070	Cable - Battery Positive	1
35	87-4150	Hose - Radiator Lower	1
36	2412-34	Clamp	2
37	2412-149	Clamp - R	1
38	3290-379	Tie - Cable	1
39	36-4790	Washer - Thrust	3
40	87-5000	Mount - Engine	1
41	87-4110	Puck - Engine Adapter	1
42	67-5050	Thermostat	1
43	64-4430	Gasket - Thermostat	1
44	87-3410	Housing - Thermostat	1
45	87-7330	Hose - Radiator Upper	1
46	3296-29	Nut - Lock	1
47	2412-107	Clamp - R	1
48	67-1450	Spring	1
49	18-1720	Ball Joint	1
50	3296-56	Nut - Lock	3
51	48-7660	Screw - Cap Hex. Hd.	2
52	48-8010	Washer - Lock	2
54	42-9440	Screw - Cap Hex. Hd.	1
55	87-2090	Engine	1
56	321-5	Screw - Cap Hex. Hd.	1



T-1707

## TRANSAXLE INSTALLATION ASSEMBLY

Ref. No.	Part No.	Description	No. Used	Ref. No.	Part No.	Description	No. Used
1	32128-33	Nut - Flange Lock	1	27	87-4820	Bracket - Cable	1
2	87-7040	Bracket - Oil Filter	1	28	87-3080	Cable - Battery Negative	1
3	2412-36	Clamp - Hose	3	30	3272-6	Pin - Cotter	3
4	87-5730	Hose - Hydraulic	1	31	32148-15	Nut - Clinch	1
5	354-135	Fitting - Hydraulic 90° (Incl. Ref. #47)	1	32	3219-14	Nut - Hex.	1
8	323-10	Screw - Cap Hex. Hd.	1	33	87-6710	Switch - Supervisor	1
10	87-8250	Plate - Shift Arm	1	34	237-30	O-Ring	2
11	32128-21	Nut - Lock	1	35	283-62	Pin - Clevis	3
12	3256-4	Washer - Flat	1	36	87-2310	Clevis - Cable	3
13	87-6910	Spring - Compression	1	37	3220-1	Nut - Jam	4
14	323-7	Screw - Cap Hex. Hd.	4	38	54-0110	Element - Oil Filter	1
15	87-7970	Arm - Shift	1	39	237-79	Seal - O-Ring	2
16	3215-1	Screw - Cap Hex. Hd.	2	40	354-134	Fitting - Hydraulic 90° (Incl. Ref. #39)	2
17	87-5100	Washer	4	41	87-4920	Hose - Hydraulic	1
18	87-4970	Transaxle Mount Assembly (Incl. Ref. #19)	2	42	3234-4	Screw - Hex. Flange Hd.	4
19		Spacer - Mount	2	43	87-8780	Head - Oil Filter	1
20	3296-39	Nut - Flange Lock	4	44	68-9950	Spring - Extension	1
21	87-5800	Bracket - Mount	2	45	87-7170	Bracket - Clutch Spring	1
22	87-9250	Transaxle Assembly	1	46	72-4310	Switch - Ball N.C.	1
23	87-4470	Bracket	1	47	237-42	Seal - O-Ring	1
24	66-3160	Screw - Cap Hex. Hd.	7	48	87-7960	Lever - Shift	2
25	237-123	Seal - O-Ring	1	49	80-6990	Washer - Flat	3
26	87-3990	Oil Strainer Assembly (Incl. Ref. #25)	1	50	48-9520	Nut - Lock	3

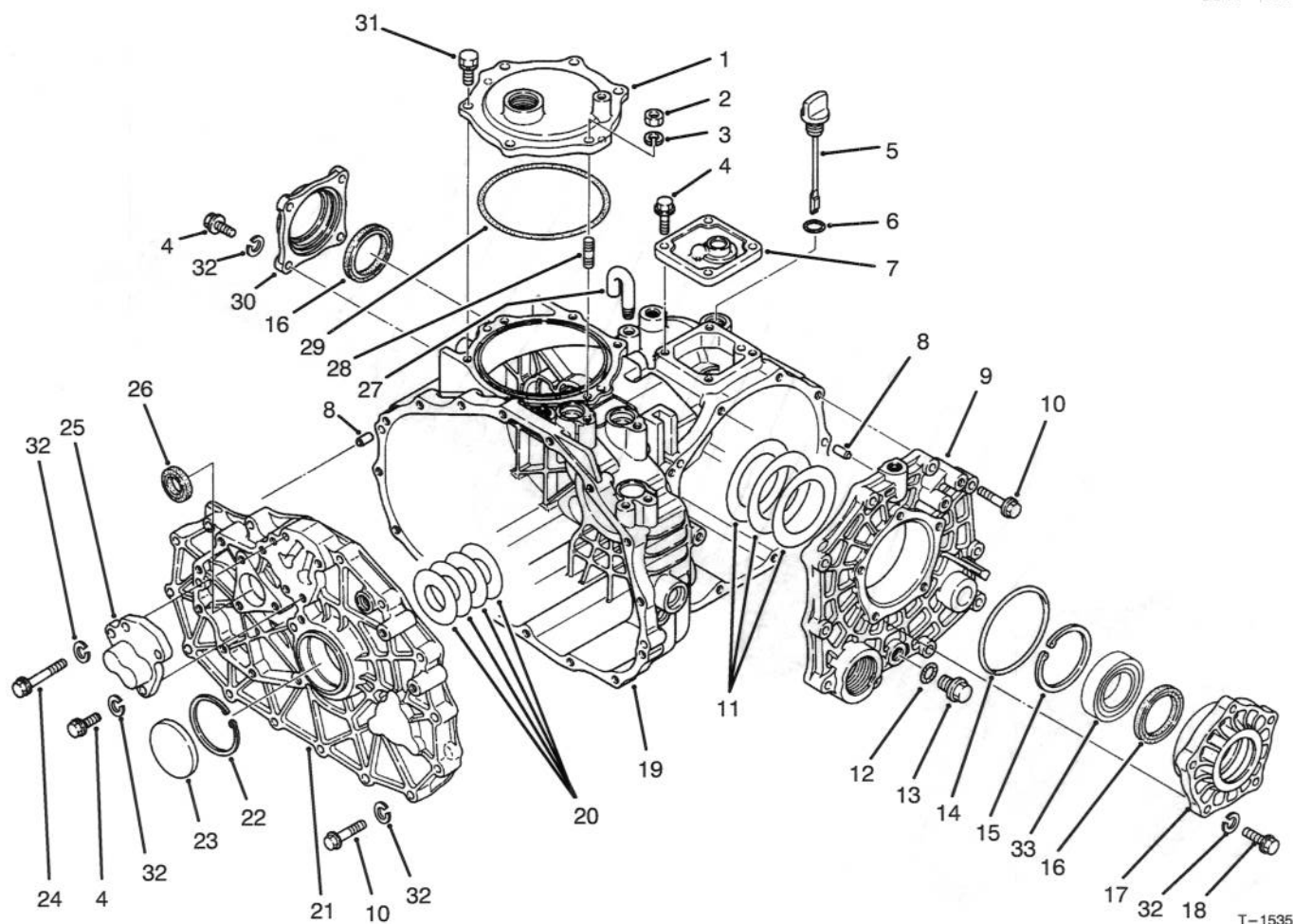


T-1707

## TRANSAXLE INSTALLATION ASSEMBLY (Continued)

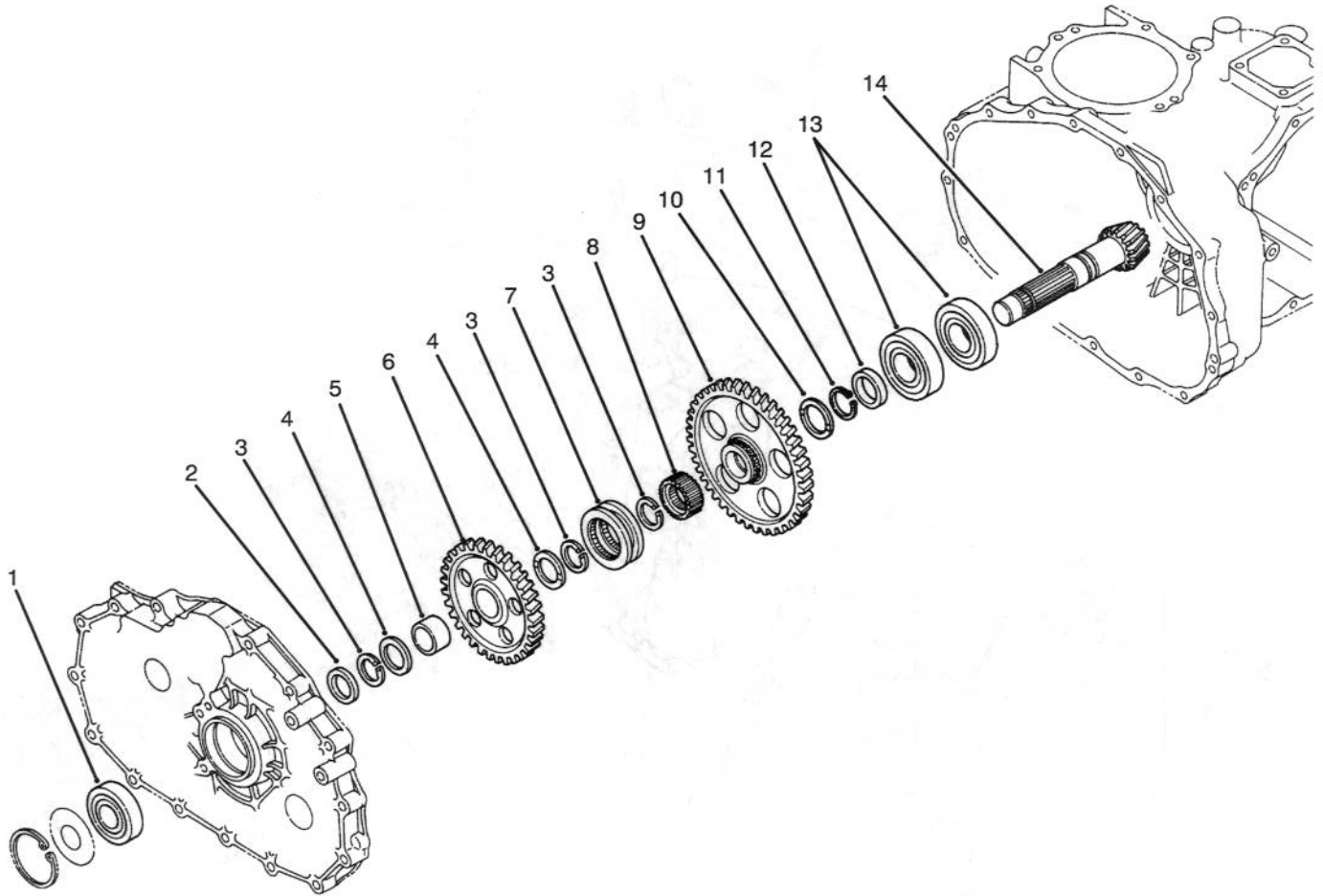
Ref. No.	Part No.	Description	No. Used
51	87-4260	Shift Cable Assembly (Incl. Ref. #37)	2

Ref. No.	Part No.	Description	No. Used
52	87-4420	Hi-Lo Cable Assembly (Incl. Ref. #32)	1



## TRANSAXLE CASE ASSEMBLY

Ref. No.	Part No.	Description	No. Used	Ref. No.	Part No.	Description	No. Used
1	92-0656	Cover - P.T.O.	1	17	92-0654	Carrier - Differential	1
2	48-7930	Nut - Hex.	1	18	48-7730	Screw - Cap Hex. Hd.	5
3	92-0762	Washer - Lock	1	19	92-0651	Case - Transaxle	1
4	60-6750	Screw - Cap Hex. Hd.	11	20	92-0808	Shim Set	1
5	92-0662	Cap - Oil	1	21	92-0657	Plate - Center	1
6	92-0788	O-Ring	1	22	92-0759	Ring - Retaining	1
7	92-0652	Cover - Upper	1	23	92-0807	Cap - Sealing	1
8	92-0765	Pin - Alignment	4	24	48-7560	Screw - Cap Hex. Hd.	1
9	92-0653	Cover - Side	1	25	92-0706	Cap - Fork Shaft	1
10	42-9530	Screw - Cap Hex. Hd.	25	26	92-0791	Seal - Oil	1
11	92-0809	Shim Set	1	27	92-0743	Breather - Air	1
12		O-Ring	1	28	92-0804	Stud	1
13	92-0773	Drain Plug Assembly (Incl. Ref. #12)	1	29	92-0790	O-Ring	1
14	92-0789	O-Ring	1	30	92-0655	Cover - Seal	1
15	92-0760	Ring - Retaining	1	31	92-0796	Screw - Cap Hex. Hd.	5
16	92-0793	Seal - Oil	2	32	42-9850	Washer - Lock	42
				33	92-0775	Bearing - Ball	2

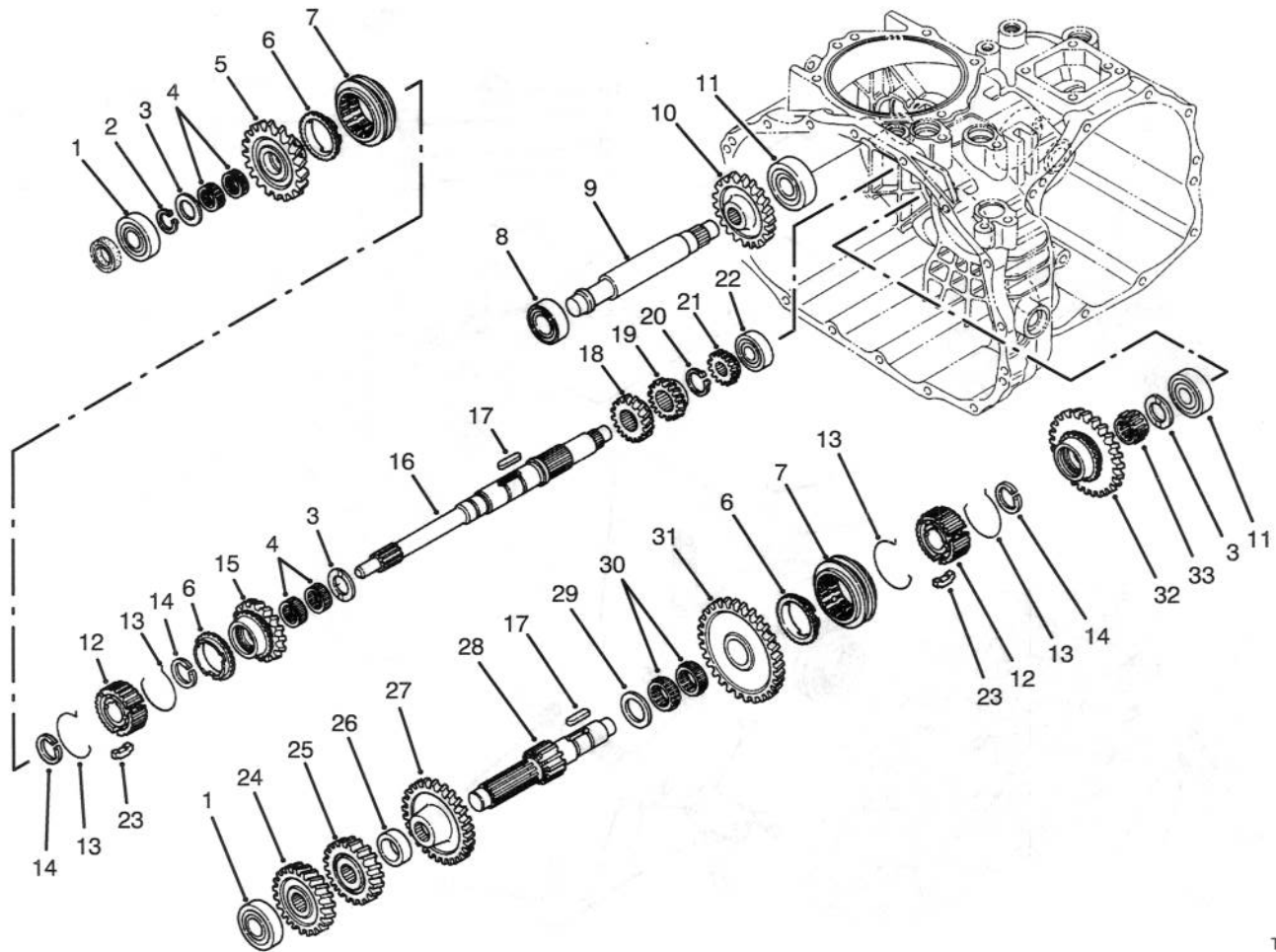


T-1536

## COUNTERSHAFT ASSEMBLY

Ref. No.	Part No.	Description	No. Used
1	92-0712	Bearing - Ball	1
2	92-0716	Collar	1
3	92-0764	Ring - Retaining	3
4	92-0711	Washer - Thrust	2
5	92-0783	Sleeve - Inner	1
6	92-0715	Gear - 49T	1
7	92-0718	Shifter - Hi-Lo	1
8	92-0719	Collar - Spline	1

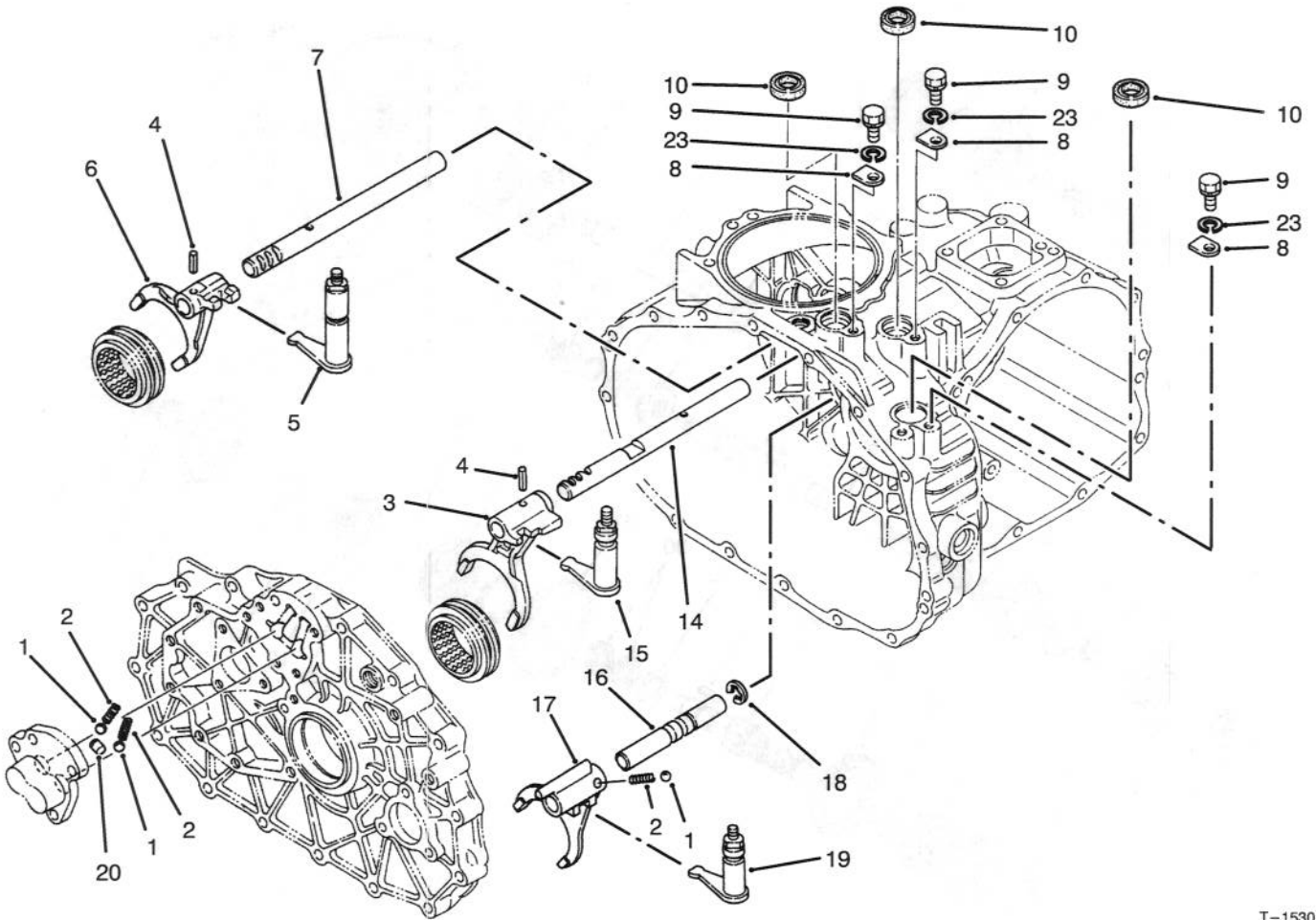
Ref. No.	Part No.	Description	No. Used
9	92-0717	Gear - 71T	1
10	92-0741	Washer - Thrust	1
11	92-0755	Ring - Retaining	1
12	92-0713	Collar	1
13	92-0714	Bearing - Ball	2
14	92-0710	Counter Shaft Assembly (Incl. Ring Gear)	1



T-1533

## TRANSAXLE GEAR SHAFTS ASSEMBLY

Ref. No.	Part No.	Description	No. Used	Ref. No.	Part No.	Description	No. Used
1	251-8	Bearing - Ball	2	18	92-0687	Gear - 16T	1
2	92-0753	Ring - Retaining	1	19	92-0672	Gear - 18T	1
3	92-0740	Washer - Thrust	3	20	92-0754	Ring - Retaining	1
4	92-0781	Bearing - Needle	4	21	92-0673	Gear - 14T	1
5	92-0820	Gear - 27T	1	22	92-0650	Bearing - Ball	1
6	92-0667	Ring - Synchro	3	23	92-0665	Key - Synchro	6
7	92-0668	Shifter - Synchro	2	24	92-0822	Gear - 28T	1
8	251-346	Bearing - Ball	1	25	92-0679	Gear - 23T	1
9	92-0824	Shaft - Reverse Idler	1	26	92-0680	Collar	1
10	92-0684	Gear - 33T	1	27	92-0823	Gear - 43T	1
11	92-0778	Bearing - Ball	2	28	92-0674	Shaft - Reduction	1
12	92-0664	Hub - Synchro	2	29	92-0682	Washer - Thrust	1
13	92-0666	Spring - Synchro	4	30	92-0681	Bearing - Needle	2
14	92-0763	Ring - Retaining	3	31	92-0677	Gear - 49T	1
15	92-0821	Gear - 24T	1	32	92-0819	Gear - 40T	1
16	92-0663	Shaft - Main	1	33	92-0782	Bearing - Needle	1
17	92-0772	Key	2				

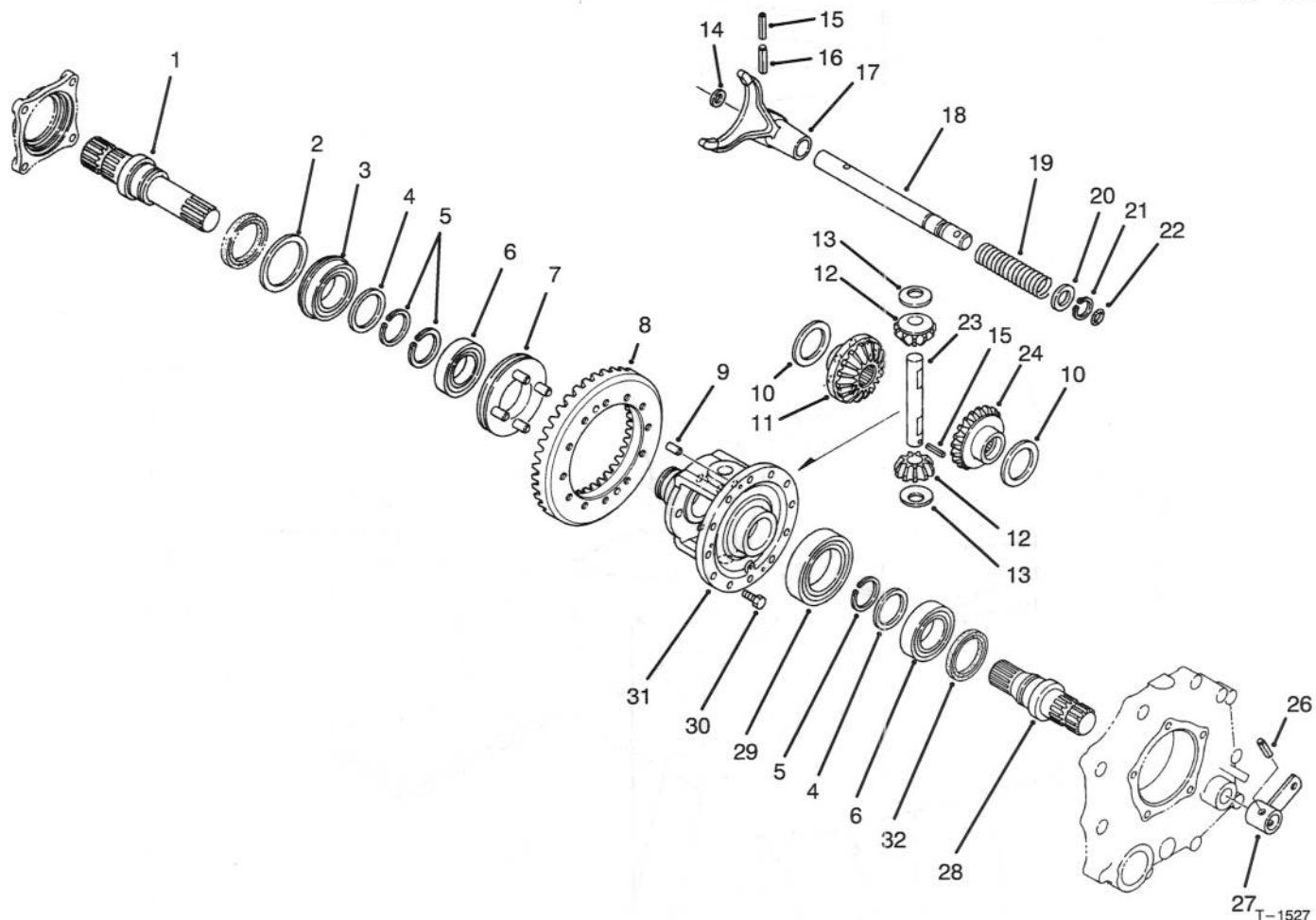


T-1530

## SHIFT FORK ASSEMBLY

Ref. No.	Part No.	Description	No. Used
1	92-0785	Ball	3
2	92-0731	Spring - Compression	3
3	92-0700	Fork - Shift R-1	1
4	92-0769	Pin - Spring	2
5	92-0817	Arm - Shift Fork 2-3	1
6	92-0701	Fork - Shift 2-3	1
7	92-0699	Shaft - Fork 2-3	1
8	92-0732	Plate - Keeper	3
9	48-7700	Screw - Cap Hex. Hd.	3

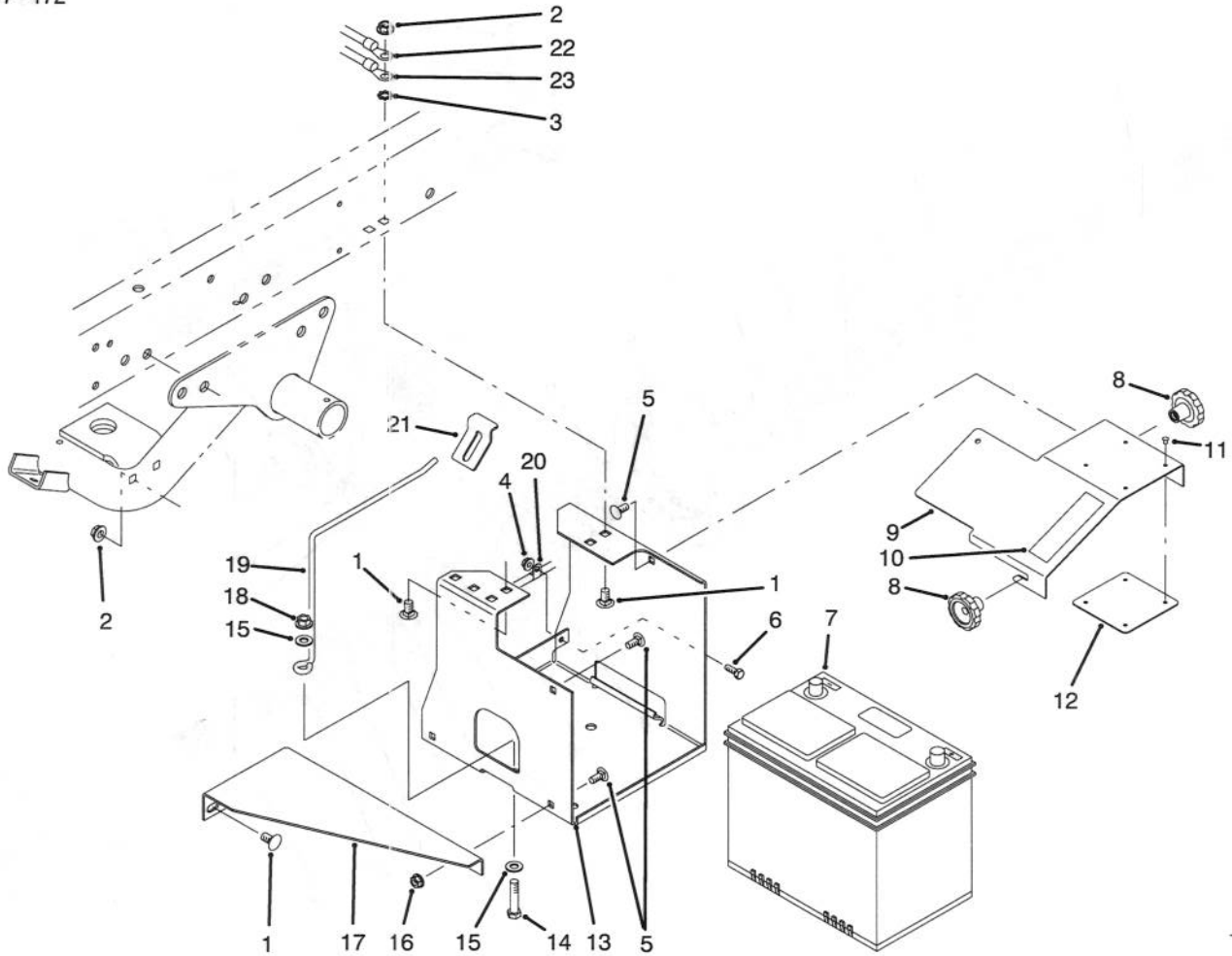
Ref. No.	Part No.	Description	No. Used
10	92-0729	Seal - Oil	3
14	92-0698	Shaft - Fork R-1	1
15	92-0816	Arm - Shift Fork R-1	1
16	92-0708	Shaft - Fork Hi-Lo	1
17	92-0709	Fork - Shift Hi-Lo	1
18	92-0761	Ring - Retaining	1
19	92-0818	Arm - Shift Fork Hi-Lo	1
20	92-0705	Lock - Spindle	1
23	42-9850	Washer - Lock	3



## DIFFERENTIAL GEAR ASSEMBLY

Ref. No.	Part No.	Description	No. Used
1	92-0726	Shaft - Axle R.H.	1
2	92-0728	Washer	1
3	92-0780	Bearing - Ball	1
4	92-0727	Washer	2
5	92-0756	Ring - Retaining	3
6	92-0775	Bearing - Ball	2
7	92-0730	Slider - Differential Lock	1
8	92-0710	Ring Gear Assembly (Incl. Counter Shaft)	1
9	92-0765	Pin - Alignment	2
10	92-0747	Washer - Thrust	2
11	92-0746	Gear - Side R.H.	1
12	92-0748	Gear - Pinion	2
13	92-0750	Washer	2
14	92-0744	Washer	1
15	92-0768	Pin - Spring	2

Ref. No.	Part No.	Description	No. Used
16	92-0771	Pin - Spring	1
17	92-0721	Fork - Differential Lock	1
18	92-0722	Shaft - Lock Fork	1
19	92-0723	Spring - Compression	1
20	92-0733	Washer	1
21	92-0753	Ring - Retaining	1
22	92-0787	O-Ring	1
23	92-0749	Shaft - Pinion	1
24	92-0745	Gear - Side L.H.	1
26	92-0770	Pin - Spring	1
27	92-0724	Arm - Differential Lock	1
28	92-0725	Shaft - Axle L.H.	1
29	92-0776	Bearing - Ball	1
30	92-0803	Screw - Hex. Flange Hd.	12
31	92-0720	Case - Differential	1
32	92-0793	Seal - Oil	2



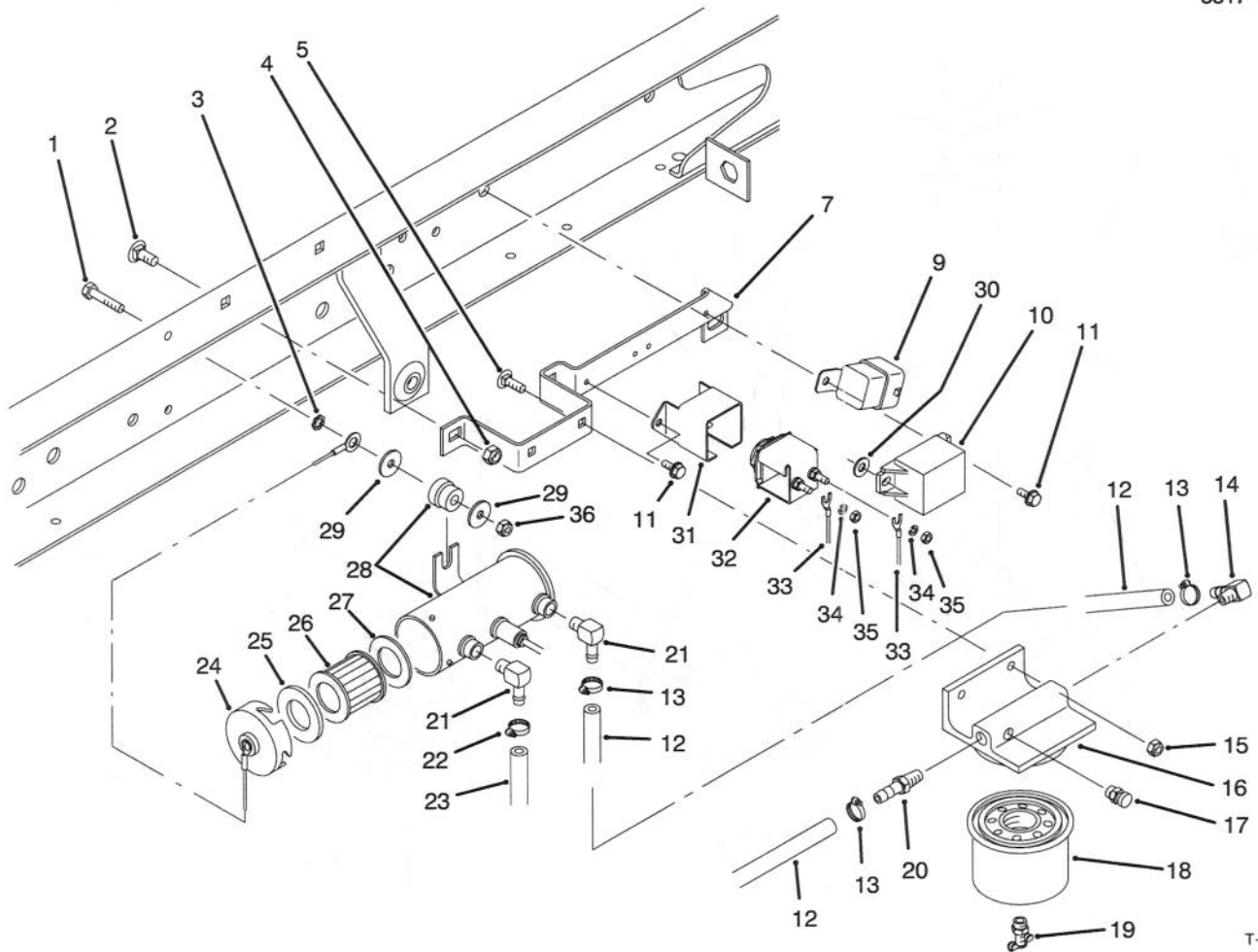
T-1663

## BATTERY MOUNT ASSEMBLY

Ref. No.	Part No.	Description	No. Used
1	3231-21	Bolt - Carriage	6
2	3290-357	Nut - Lock	6
3	3255-9	Washer - Lock ETLW	1
4	32128-33	Nut - Flange Lock	1
5	3230-23	Bolt - Carriage	4
6	321-4	Screw - Cap Hex. Hd.	1
7	63-9230	Battery	1
8	19-4050	Knob	2
9	87-5130	Cover - Battery Base	1
‡10	36-3400	Decal - No Step	1
11	3269-27	Rivet - Plastic	4
12	87-7620	Shield - Plastic	1

Ref. No.	Part No.	Description	No. Used
13	87-5120	Bracket - Battery Base	1
14	323-9	Screw - Cap Hex. Hd.	1
15	3256-24	Washer - Flat	2
16	32128-20	Nut - Flange Lock	2
17	87-5110	Support - Lower	1
18	3296-39	Nut - Lock	1
19	87-7600	Rod - Battery Support	1
20	2412-89	Clamp - R	1
21	87-7610	Tab - Battery Support	1
22	87-4250	Harness - Wire Rear	1
23	87-3080	Cable - Battery Neg.	1

‡For different language versions of this part, see International Decal Cross Reference.

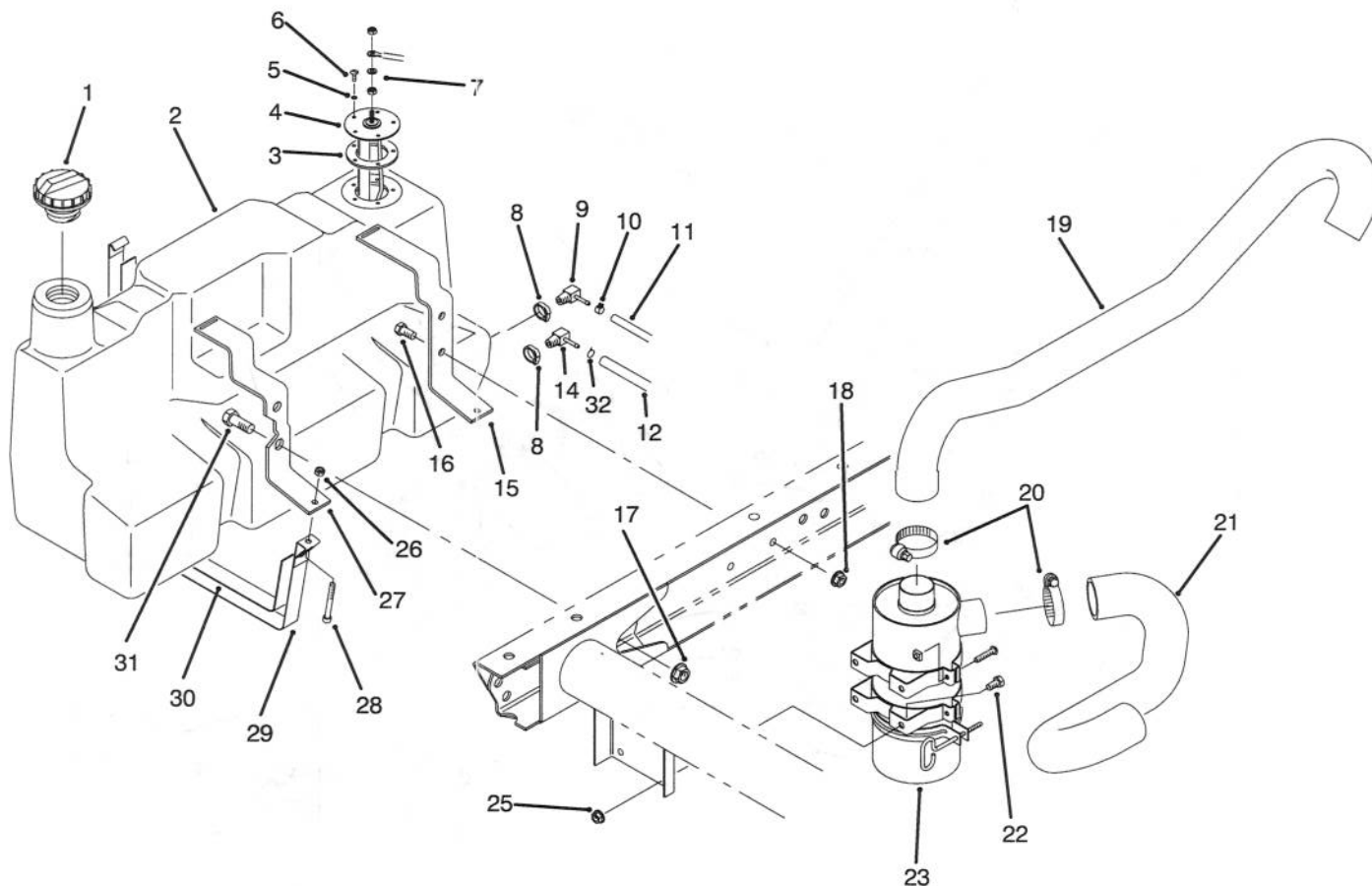


T-1664

## FUEL FILTER, PUMP & RELAY MOUNTING

Ref. No.	Part No.	Description	No. Used
1	48-7650	Screw - Cap Hex. Hd.	2
2	3230-23	Bolt - Carriage	2
3	3255-7	Washer - Lock ETLW	1
4	3296-29	Nut - Lock	2
5	3229-25	Bolt - Carriage	2
7	87-7380	Bracket - Relay/Indicator	1
9	63-7590	Relay - S.P.D.T.	1
10	66-8800	Relay	1
11	12-5450	Screw - Hex. Hd.	4
12	27-5360	Hose - Fuel	2
13	2412-108	Clamp - Hose	3
14	353-707	Fitting - 90° Barb	1
15	3296-42	Nut - Lock	2
16	63-8280	Head - Filter	1
17	63-8290	Vent - Air	1
18	63-8300	Element - Filter	1
19	63-8310	Drain - Filter	1
20	353-783	Fitting - Straight	1

Ref. No.	Part No.	Description	No. Used
21	46-3710	Fitting - 90°	2
22	92-2379	Clamp - Hose	1
23	63-9640	Hose - Fuel Tank to Pump	1
24	43-2580	Magnet	1
25	43-2560	Gasket	1
26	43-2550	Filter	1
27	43-2570	Gasket	1
28	53-8150	Fuel Pump Assembly (Incl. Ref. #24-27)	1
29	3256-67	Washer - Flat	3
30	3256-22	Washer - Flat	1
31	70-8560	Retainer - Indicator	1
32	66-8700	Glow Plug Indicator Assy. (Incl. Ref. #34 & 35)	1
33	87-4250	Harness - Wire	1
34	48-8000	Washer - Lock	2
35	43-5970	Nut	2
36	49-7810	Nut - Lock	2

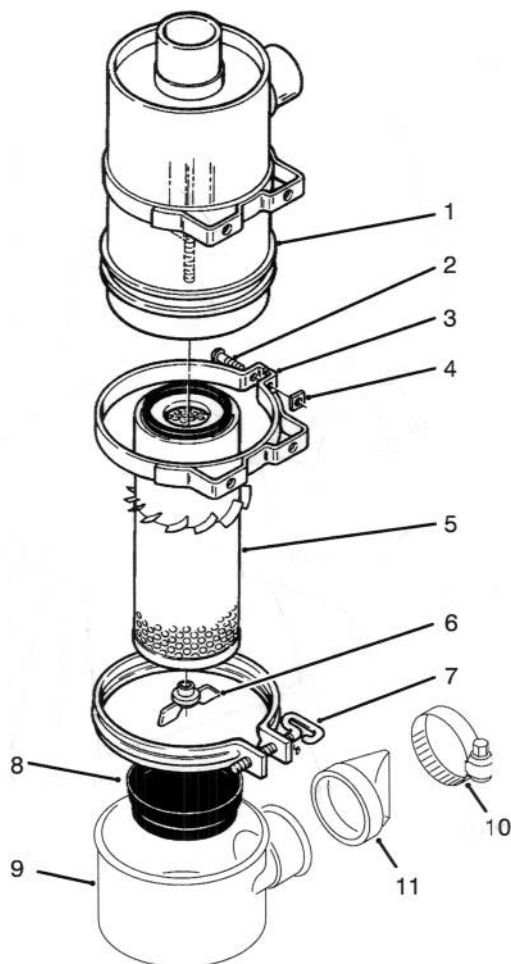


T-1665

## FUEL TANK & AIR CLEANER ASSEMBLY

Ref. No.	Part No.	Description	No. Used
1	93-3102	Cap - Fuel	1
2	87-0650	Fuel Tank Assembly (Incl. Ref. #8, 9 & 14)	1
3	62-7650	Gasket - Sending Unit	1
4	63-7640	Unit - Sending	1
5	3253-15	Washer - Lock	5
6	32122-24	Screw - Round Hcl.	5
7	5-3637	Washer - Flat	1
8	2412-36	Clamp	1
9	76-4430	Fitting - Fuel 90°	1
10	2412-108	Clamp - Hose	2
11	75-4706	Hose - Fuel	1
12	63-9640	Hose - Fuel	1
14	353-781	Fitting - Fuel 90°	1
15	87-3140	Support - Rear	1
16	323-4	Screw - Cap Hex. Hd.	2

Ref. No.	Part No.	Description	No. Used
17	32128-23	Nut - Flange	2
18	3290-357	Nut - Flange	2
19	87-4050	Hose - Air Cleaner	1
20	2412-92	Clamp - Hose	2
21	87-9310	Hose - Air Cleaner	1
22	322-2	Screw - Cap, Hex. Hd.	4
23	87-9410	Air Cleaner Assembly	1
25	32128-20	Nut - Flange Hd.	4
26	3296-42	Nut - Lock	2
27	87-3150	Support - Front	1
28	3274-54	Screw - Hex. Socket Hd.	2
29	87-3160	Strap - Tank Support	2
30	87-3170	Pad - Tank Support Strap	2
31	3234-38	Screw - Cap Hex. Hd.	2
32	92-2379	Clamp - Hose	1

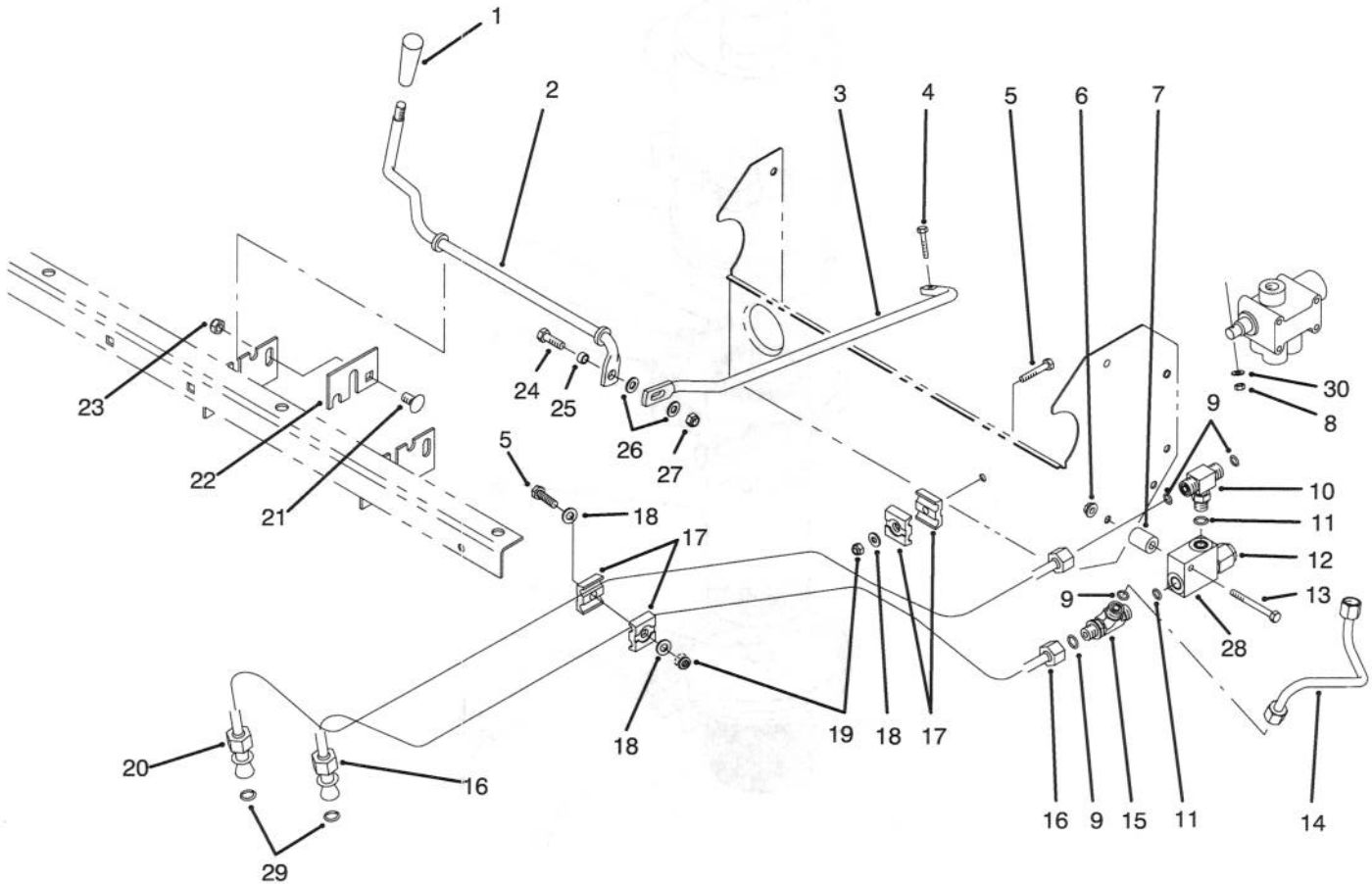


T-1349

## AIR CLEANER ASSEMBLY

Ref. No.	Part No.	Description	No. Used	Ref. No.	Part No.	Description	No. Used
1		Body	1	7	33-1340	Clamp Assembly	1
2	3258-19	Screw - Round Head	2	8	33-1310	Baffle	1
3	33-1350	Band Assembly (Incl. Ref. #2 & 4)	2	9	87-9390	Cup	1
4	32107-11	Nut - Square	2	10	2412-130	Clamp - Hose	1
5	33-1300	Assembly - Element	1	11	87-9400	Valve	1
6	33-1330	Assembly - Nut	1	*	87-9410	Air Cleaner (Complete) (Incl. Ref. #1 & 5-11)	1

\*Not Illustrated



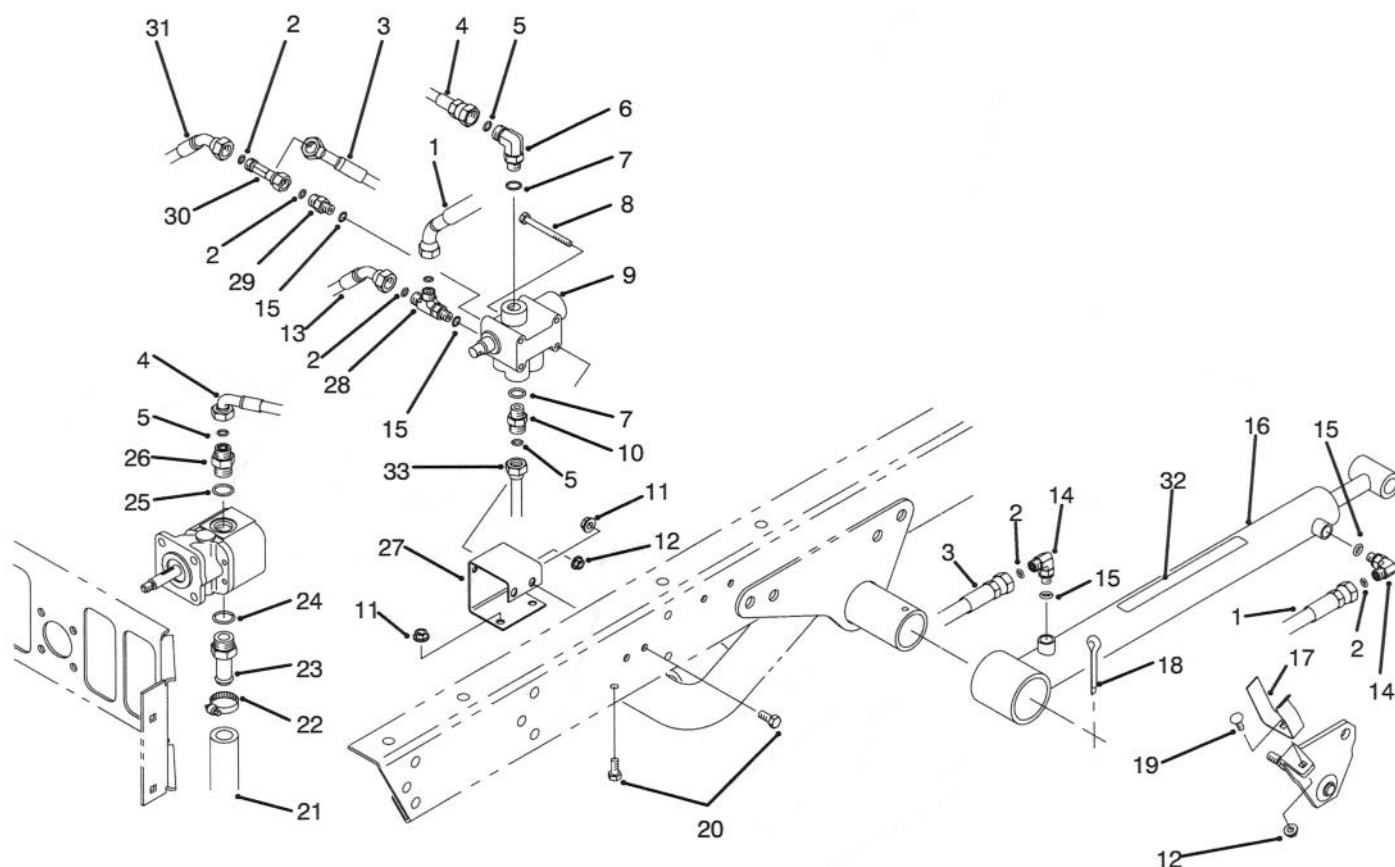
T-1610

## LIFT VALVE LINKAGE ASSEMBLY

Ref. No.	Part No.	Description	No. Used
1	233-39	Knob	1
2	87-4500	Rod - Pivot	1
3	87-4510	Rod - Connecting	1
4	87-5150	Screw - Cap Hex. Hd.	1
5	321-9	Screw - Cap Hex. Hd.	2
6	32128-33	Nut - Flange Lock	1
7	75-9610	Spacer	1
8	87-5140	Nut - Lock	1
9	237-22	Seal - O-Ring	4
10	340-94	Fitting - Hydraulic Tee (Incl. Ref. #9 & 11)	1
11	237-42	Seal - O-Ring	2
12	92-2160	Cartridge - Relief Valve	1
13	321-15	Screw - Cap Hex. Hd.	1
14	87-4560	Tube - Hydraulic	1
15	340-86	Fitting - Hydraulic Tee (Incl. Ref. #9 & 11)	1
16	87-9350	Hydraulic Tube Assembly (Incl. Ref. #29)	1

Ref. No.	Part No.	Description	No. Used
17	56-7973	Clamp - Hydraulic Tube	4
18	3256-22	Washer - Flat	3
19	3296-42	Nut - Lock	2
20	87-4540	Hydraulic Tube Assembly (Incl. Ref. #29)	1
21	3231-21	Bolt - Carriage	2
22	87-4490	Bracket - Hold-Down	2
23	3296-39	Nut - Lock	2
24	322-5	Screw - Cap Hex. Hd.	1
25	87-5080	Spacer - Connecting	1
26	3256-23	Washer - Flat	2
27	3296-29	Nut - Lock	1
28	92-2161	Body - Relief Valve	1
29	39-7310	Seal - O-Ring	2
30	3256-14	Washer - Flat	1
*	87-3680	Relief Valve Assembly (Incl. Ref. #12 & 28)	1

\*Not Illustrated

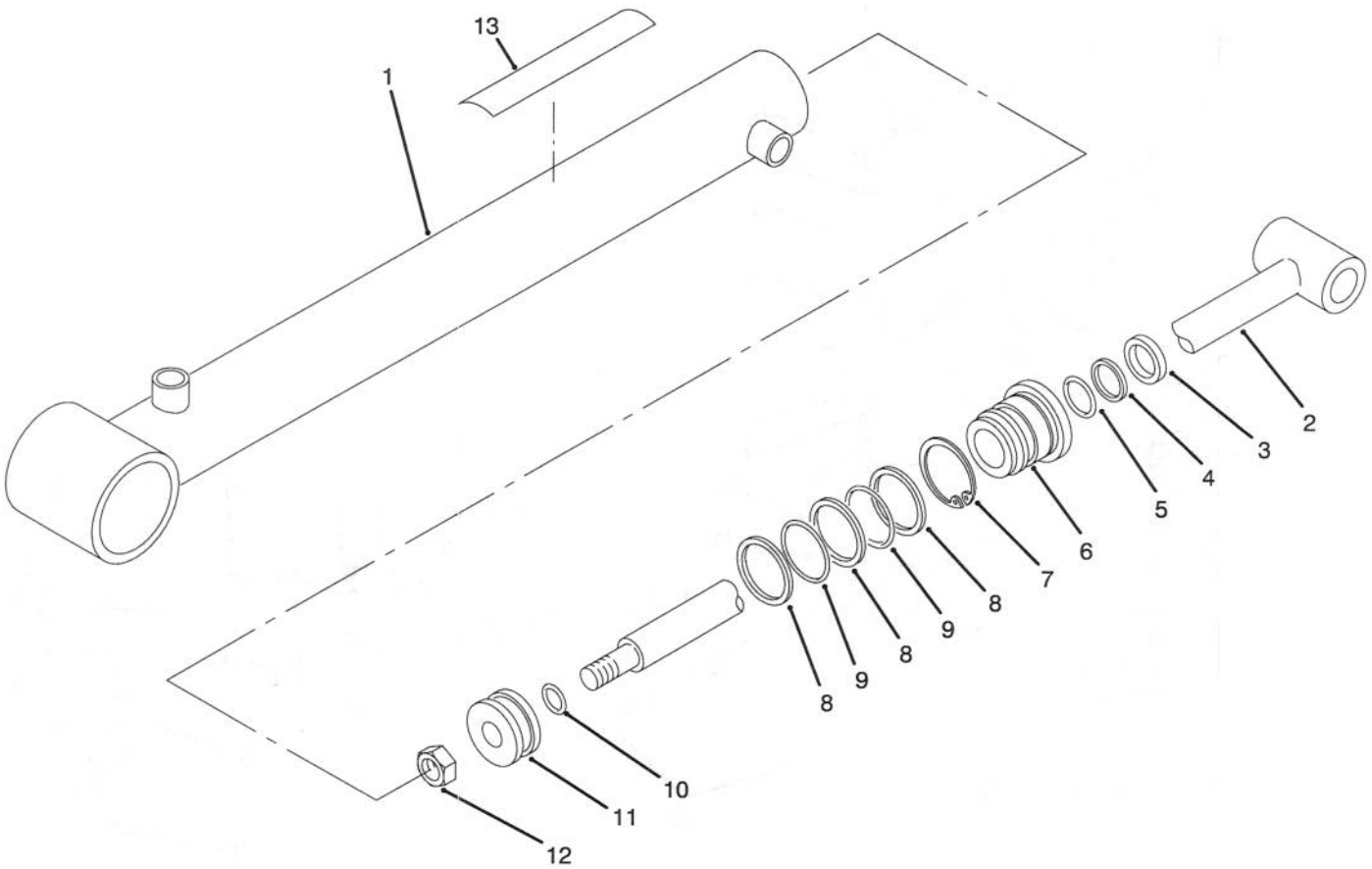


T-1611

## LIFT VALVE & CYLINDER ASSEMBLY

Ref. No.	Part No.	Description	No. Used	Ref. No.	Part No.	Description	No. Used
1	92-2697	Hose - Hydraulic	1	19	3229-25	Screw - Carriage	2
2	237-21	Seal - O-Ring	6	20	322-3	Screw - Cap Hex. Hd.	4
3	87-4880	Hose - Hydraulic	1	21	87-7350	Hose - Hydraulic	1
4	87-4870	Hose - Hydraulic	1	22	2412-34	Clamp	1
5	237-22	Seal - O-Ring	3	23	354-136	Fitting - Hydraulic Straight (Incl. Ref. #24)	1
6	340-77	Fitting - Hydraulic 90° (Incl. Ref. #5 & 7)	1	24	237-80	Seal - O-Ring	1
7	237-42	Seal - O-Ring	2	25	237-79	Seal - O-Ring	1
8	321-14	Screw - Cap Hex. Hd.	2	26	340-3	Fitting - Hydraulic Straight (Incl. Ref. #5 & 25)	1
9	43-1950	Valve	1	27	87-4520	Bracket - Dump Valve	1
10	340-2	Fitting - Straight	1	28	340-140	Fitting - Hydraulic Tee (Incl. Ref. #2 & 15)	1
11	32128-20	Nut - Flange Head	4	29	340-92	Fitting - Hydraulic Straight (Incl. Ref. #2 & 15)	1
12	32128-33	Nut - Flange Head	4	30	340-151	Fitting - Hydraulic Tee (Incl. Ref. #2)	1
13	87-4910	Hose - Hydraulic	1	31	87-4900	Hose - Hydraulic	1
14	340-132	Fitting - Hydraulic 90° (Incl. Ref. #2 & 15)	4	‡32	87-7930	Decal - Warning	2
15	237-78	Seal - O-Ring	4	33	87-4560	Tube - Hydraulic	1
16	87-7990	Hydraulic Cylinder Assy. (Incl. Ref. #32)	2				
17	87-3720	Retainer - Cylinder	2				
18	3272-37	Pin - Cotter	2				

‡For different language versions of this part, see International Decal Cross Reference.



T-1612

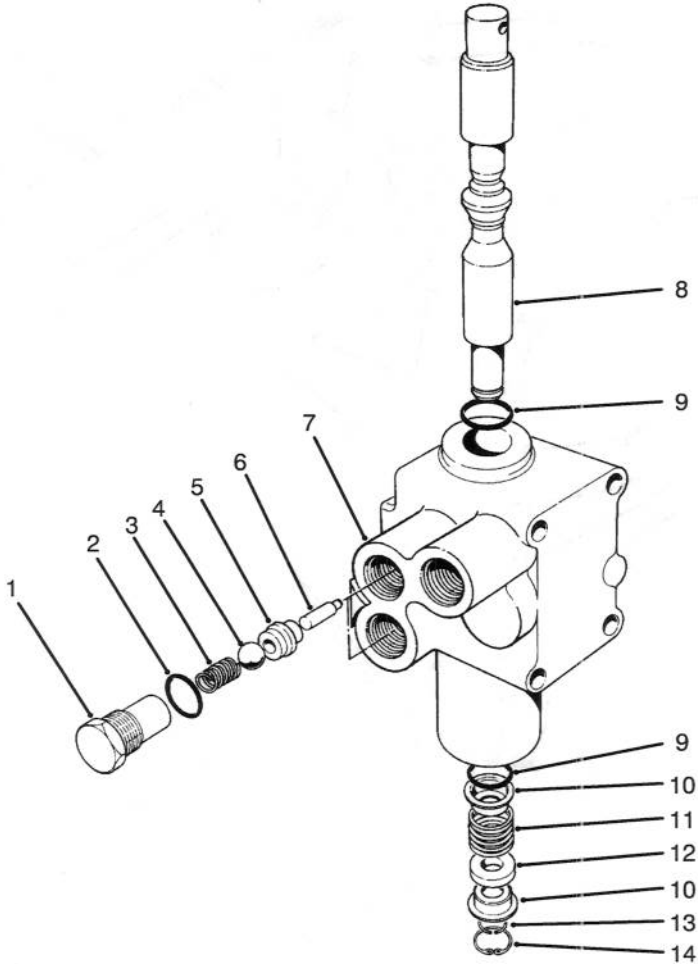
## LIFT CYLINDER 87-7990

Ref. No.	Part No.	Description	No. Used
1		Barrel Assembly	1
2	92-2163	Shaft	1
3		Seal - Dust	1
4		Backup	1
5		Seal - O-Ring	1
6	92-2162	Head	1
7	84-1680	Ring - Retaining	1
8		Backup	3

Ref. No.	Part No.	Description	No. Used
9		Seal - O-Ring	2
10		Seal - O-Ring	1
11	43-5150	Piston	1
12	32152-10	Nut	1
‡13	87-7930	Decal - Warning	1
*	92-2165	Kit - Repair (Incl. Ref. #3-5 & 8-10)	1

\*Not Illustrated

‡For different language versions of this part, see International Decal Cross Reference.

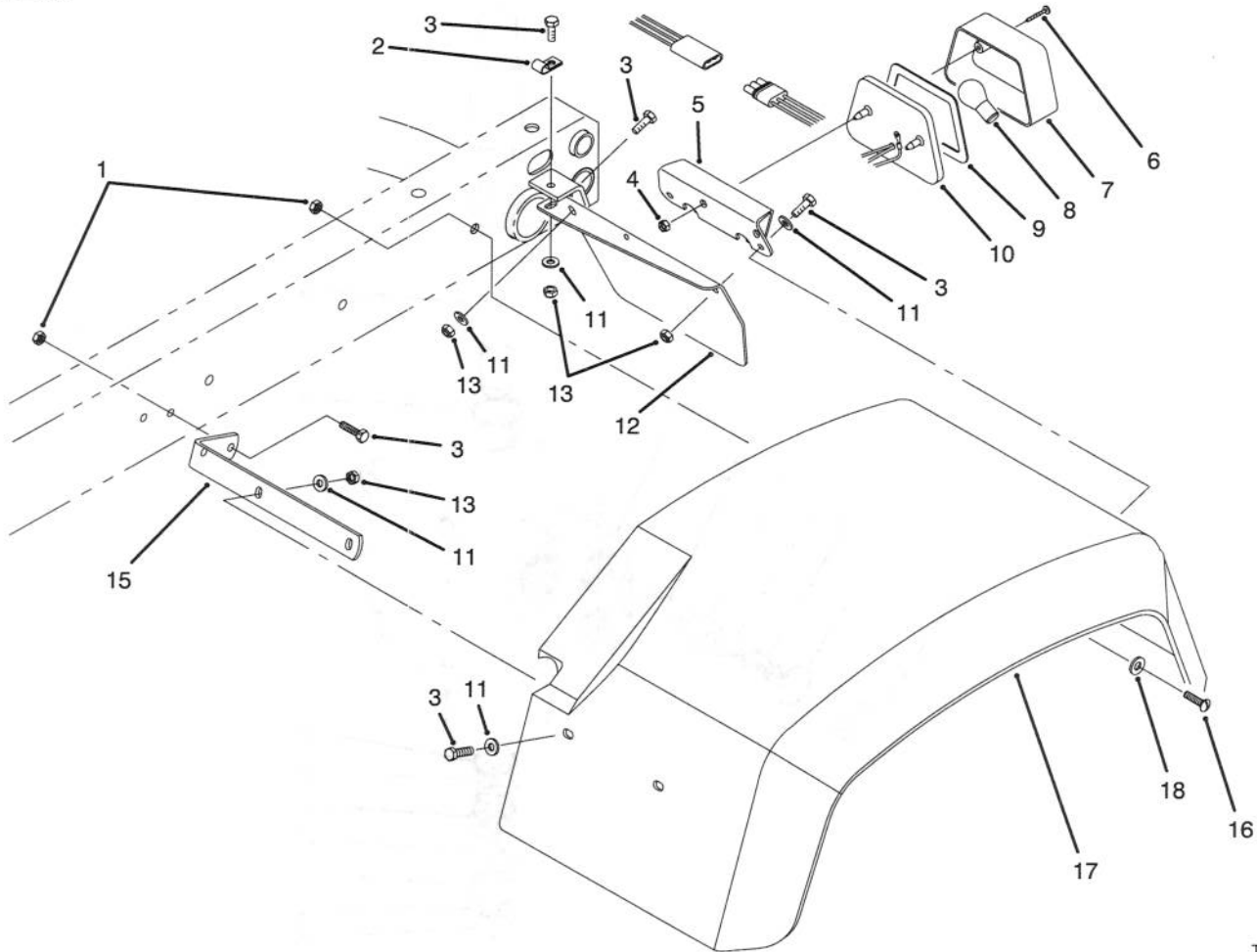


T-0280

### CONTROL VALVE ASSEMBLY NO. 43-1950

Ref. No.	Part No.	Description	No. Used
1	22-8330	Plug	2
2	237-42	O-Ring	2
3	22-8340	Spring	2
4	22-8350	Ball	2
5	22-8370	Seat-Check Valve	2
6	22-8360	Pin - Cam	2
7		Body	1

Ref. No.	Part No.	Description	No. Used
8	22-8420	Spool	1
9	22-8500	O-Ring	2
10	22-8380	Retainer - Spring	2
11	22-8410	Spring	1
12	23-3030	Spacer	1
13	22-8480	Ring - Retaining, Spool	1
14	22-8490	Ring - Retaining	1



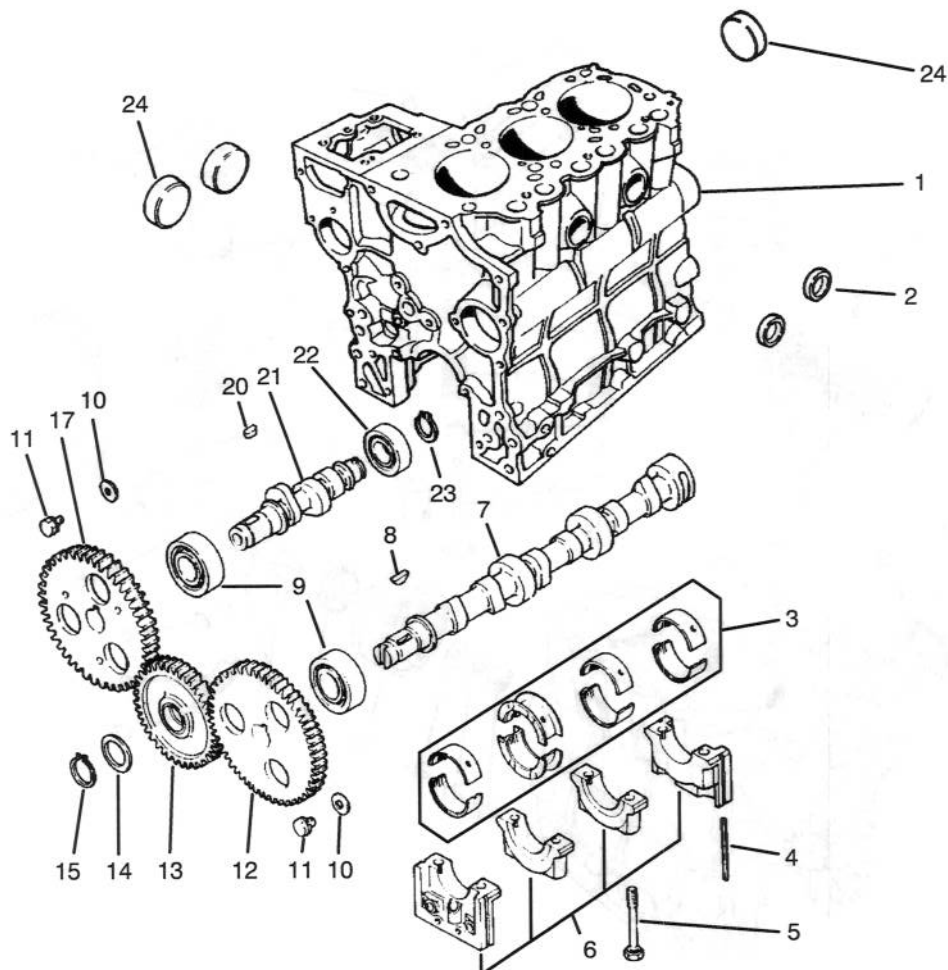
T-1613

## REAR FENDER & TAIL LIGHT ASSEMBLY

Ref. No.	Part No.	Description	No. Used
1	3296-39	Nut - Lock	6
2	2412-89	Clamp - R	1
3	321-6	Screw - Cap Hex. Hd.	16
4	3290-506	Palnut	2
5	87-5770	U-Bracket - Tail Light	1
6	32144-93	Screw - Self Tapping	2
7	87-6300	Lens	1
8		Bulb (#1157 Std. 12 Volt)	1
9	87-6310	Gasket	1

Ref. No.	Part No.	Description	No. Used
10	87-2110	Tail Light Assembly (Incl. Ref. #6-9)	1
11	3256-22	Washer - Flat	16
12	87-5750	Plate - Tail Light LH	1
*	87-6250	Plate - Tail Light RH	1
13	3296-42	Nut - Lock	16
15	87-6870	Bracket - Front	2
16	3274-94	Screw - Hex. Socket Hd.	6
17	87-6660	Fender - Rear 24"	2
18	3256-24	Washer - Flat	6

\*Not Illustrated

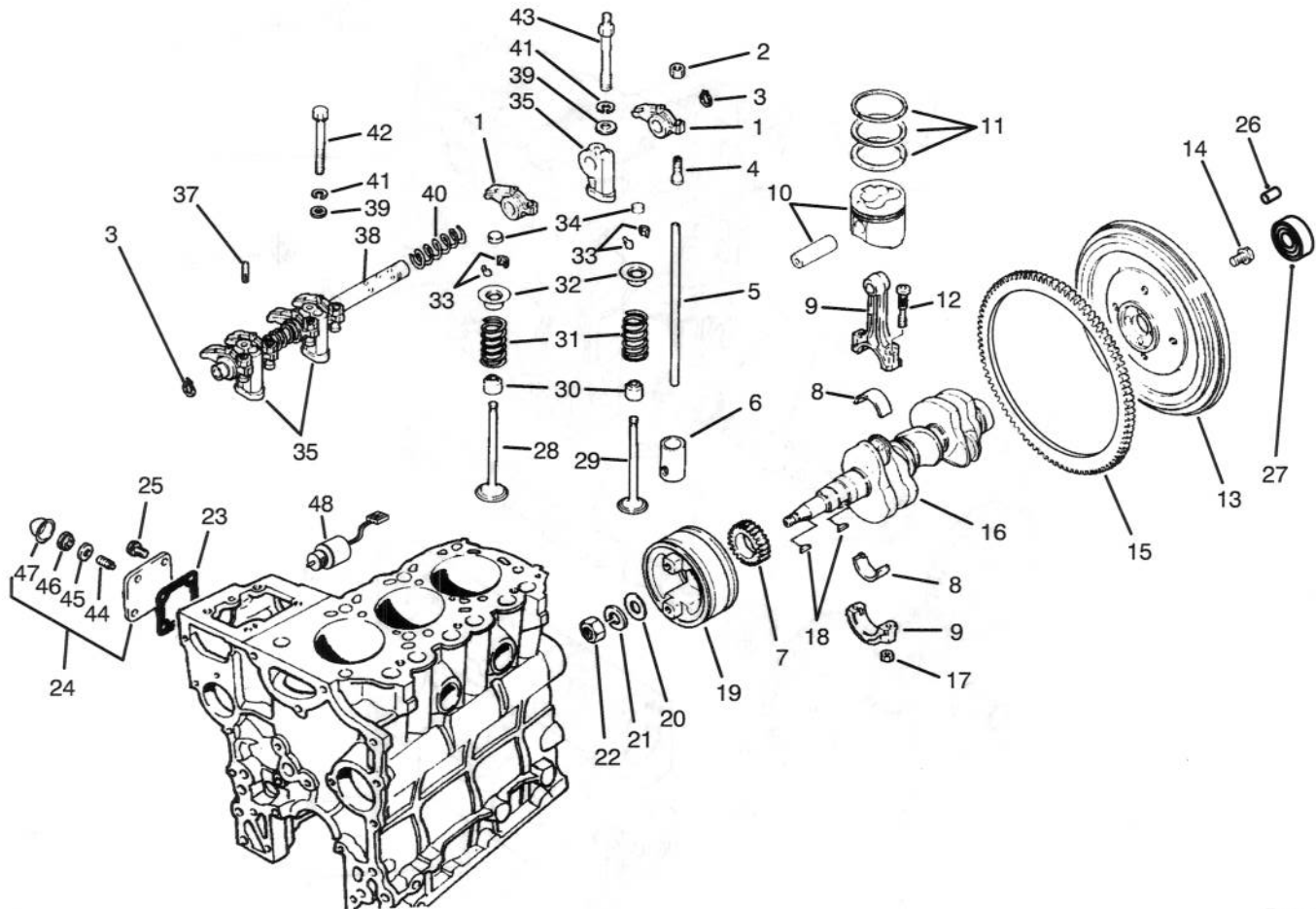


T-0564

## CAMSHAFT ASSEMBLY

Ref. No.	Part No.	Description	No. Used
1	92-0828	Block Sub-Assembly (Incl. Ref. #2, 5, 6 & 24)	1
2	42-7080	Cap	2
3	75-4900	Bearing Set STD	1
	67-2410	Bearing Set 0.25	1
	67-2420	Bearing Set 0.50	1
4	67-2200	Seal	4
5	67-2250	Bolt	8
6		Cap Assembly	1
7	67-3010	Cam Shaft	1
8	56-0480	Key - Woodruff	1
9	67-3030	Bearing	2

Ref. No.	Part No.	Description	No. Used
10	67-3000	Washer	2
11	42-9490	Bolt w/Washer	2
12	92-0827	Gear	1
13	92-0842	Gear Assembly	1
14	92-0839	Plate	1
15	92-0841	Ring - Retaining	1
17	92-0840	Gear	1
20	42-7840	Key	1
21	67-3060	Shaft	1
22	67-3050	Bearing	1
23	67-3080	Ring - Retaining	1
24	56-0020	Plug	3

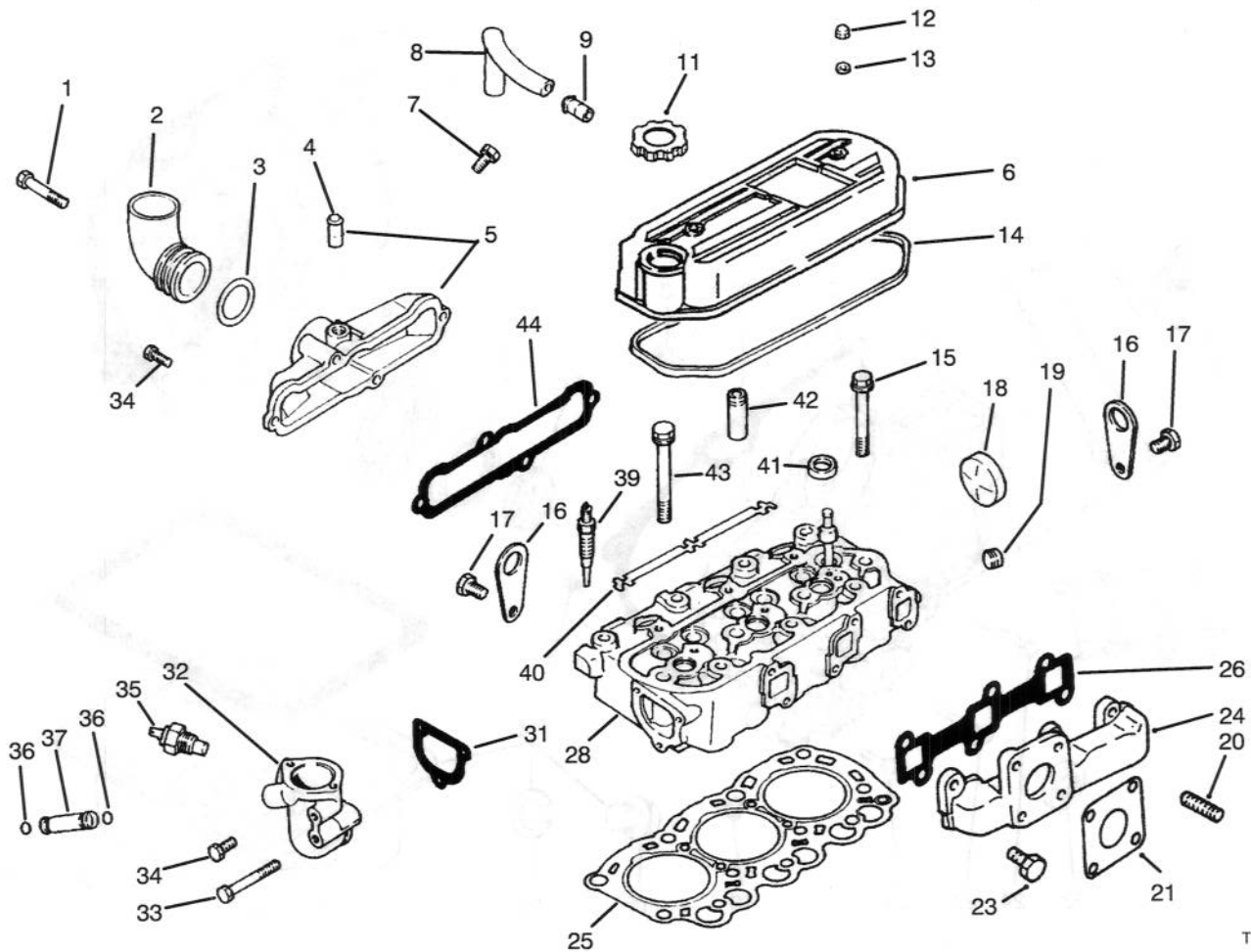


T-0565

## VALVES AND CRANKSHAFT ASSEMBLY

Ref. No.	Part No.	Description	No. Used
1	67-3160	Arm - Rocker	6
2	67-3230	Nut - Jam	6
3	67-3240	Ring - Retaining	2
4	67-3210	Screw - Adjusting	6
5	67-3150	Rod - Push	6
6	67-3120	Tappet	6
7	92-0835	Gear	1
8	75-5010	Bearing Set STD	3
	67-2890	Bearing Set 0.25 US	3
	67-2900	Bearing Set 0.50 US	3
9	67-2850	Connecting Rod Assembly (Incl. Ref. #12 & 17)	3
10	92-0832	Piston & Pin Set STD	3
	92-0833	Piston & Pin Set 0.25 OS	3
	92-0834	Piston & Pin Set 0.50 OS	3
11	67-2790	Ring Set STD	3
	67-2800	Ring Set 0.25 OS	3
	67-2810	Ring Set 0.5005	3
12	67-2860	Bolt	6
13	92-0836	Flywheel Assembly (Incl. Ref. #15)	1
14	67-2990	Bolt	4
15	67-2980	Gear - Ring	1
16	92-0845	Crankshaft	1
17	42-9590	Nut	6
18	56-0480	Key - Woodruff	2
19	70-8680	Pulley - Crankshaft	1
20	67-2950	Washer	1

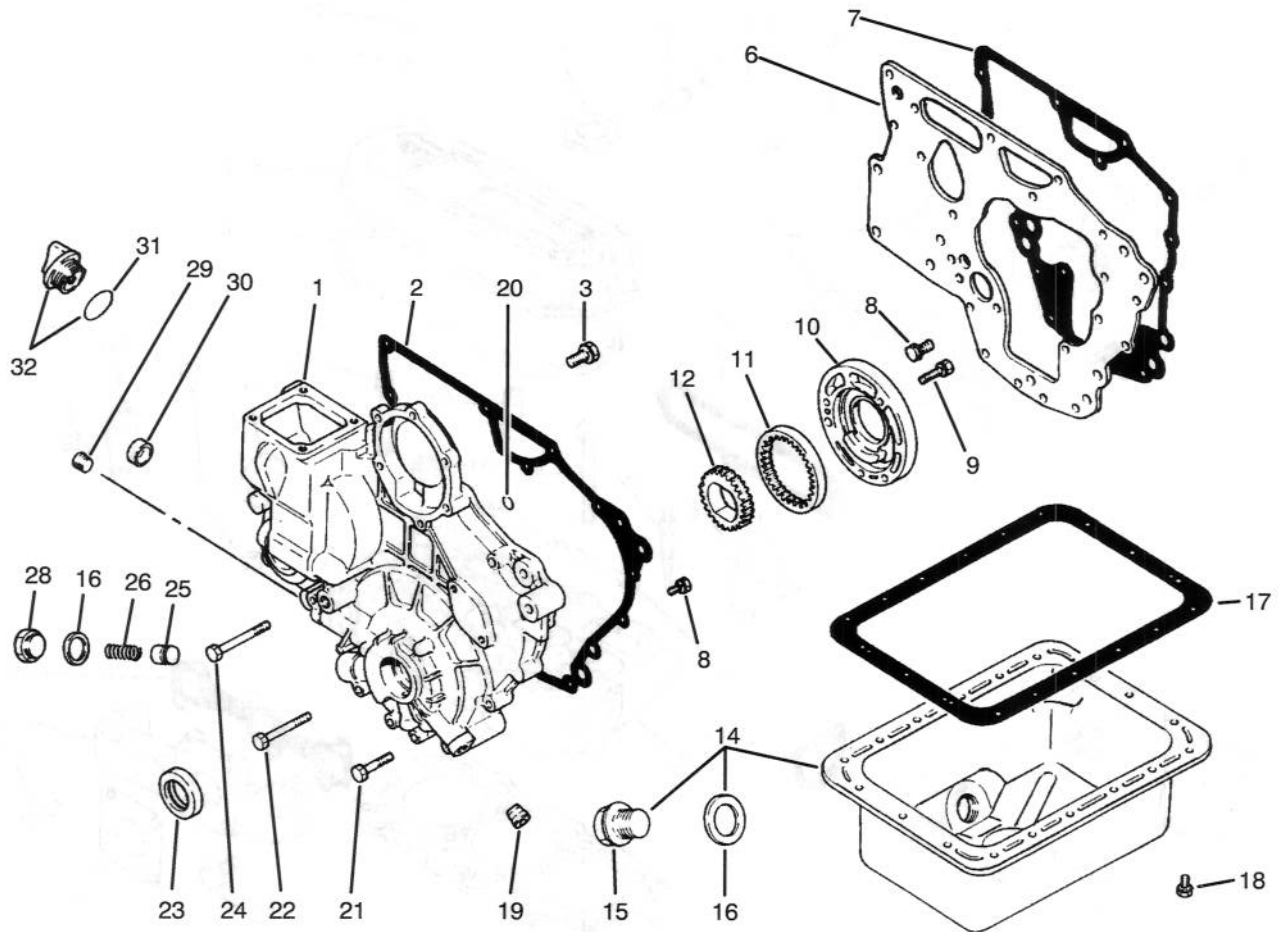
Ref. No.	Part No.	Description	No. Used
21	67-2960	Washer - Lock	1
22	67-2940	Nut - Jam	1
23	67-4310	Gasket	1
24	67-4250	Cover Assembly (Incl. Ref. #44-47)	1
25	42-9440	Bolt W/Washer	4
26	51-5610	Pin - Dowel	3
27	92-1914	Bearing - Ball	1
28	67-3130	Valve - Intake	3
29	67-3140	Valve - Exhaust	3
30	42-7870	Seal	6
31	67-3110	Spring	6
32	67-3100	Retainer	6
33	42-7860	Lock	12
34	67-3180	Cap	6
35	67-3200	Stay - Rocker	3
37	67-3220	Pin	1
38	67-3190	Rocker Shaft Assembly	1
39	42-9660	Washer	4
40	67-3170	Spring	2
41	67-3260	Washer	6
42	42-9510	Bolt	1
43	67-3250	Bolt - Rockers Stay	2
44	43-3160	Screw - Adjusting	1
45	75-5120	Gasket	1
46	43-5960	Nut - Special	1
47	43-2820	Cap - Sealing	1
48	63-7440	Solenoid - Shutoff	1



T-1666

## CYLINDER HEAD ASSEMBLY

Ref. No.	Part No.	Description	No. Used	Ref. No.	Part No.	Description	No. Used
1	67-4400	Bolt	2	21	42-9110	Gasket	1
2	67-4520	Pipe	1	23	67-4590	Bolt	6
3	67-4540	O-Ring	1	24	70-8750	Manifold - Exhaust	1
4	42-7510	Pipe	1	25	67-2720	Gasket - Cylinder Head	1
5	67-4530	Sub-Assy. Cover (Intake)	1	26	67-4570	Gasket - Exhaust Manifold	1
6	92-0846	Cover Assembly (Incl. Ref. #9)	1	28	92-0826	Cylinder Head Assembly (Incl. Ref. #18, 41 & 42)	1
7	42-9430	Bolt w/Washer	1	31	67-4460	Gasket (Thermostat Fitting)	1
8	67-2670	Hose - Breather	1	32	92-0837	Fitting - Thermostat	1
9	42-7510	Pipe	1	33	67-4470	Bolt	1
11	92-0847	Assy. - Cap (Oil Filler)	1	34	67-2330	Bolt	4
12	67-2770	Nut - Cap	2	35	67-4510	Gauge Nut - Water Temp.	1
13	67-2780	Washer	2	36	43-2710	O-Ring	2
14	67-2760	Gasket	1	37	67-4480	Pipe - By-Pass	1
15	67-2740	Bolt - Flange	3	39	92-0844	Plug - Glow	3
16	67-2680	Hanger - Engine	2	40	67-4690	Plate - Glow Plug	1
17	67-2340	Bolt w/Washer	2	41	67-2710	Cap - Sealing	3
18	56-0020	Plug - Expansion	1	42	67-2700	Guide - Valve	6
19	67-2570	Plug - Taper	1	43	67-2730	Bolt	8
20	42-9570	Stud	4	44	67-4550	Gasket - Intake Manifold	1



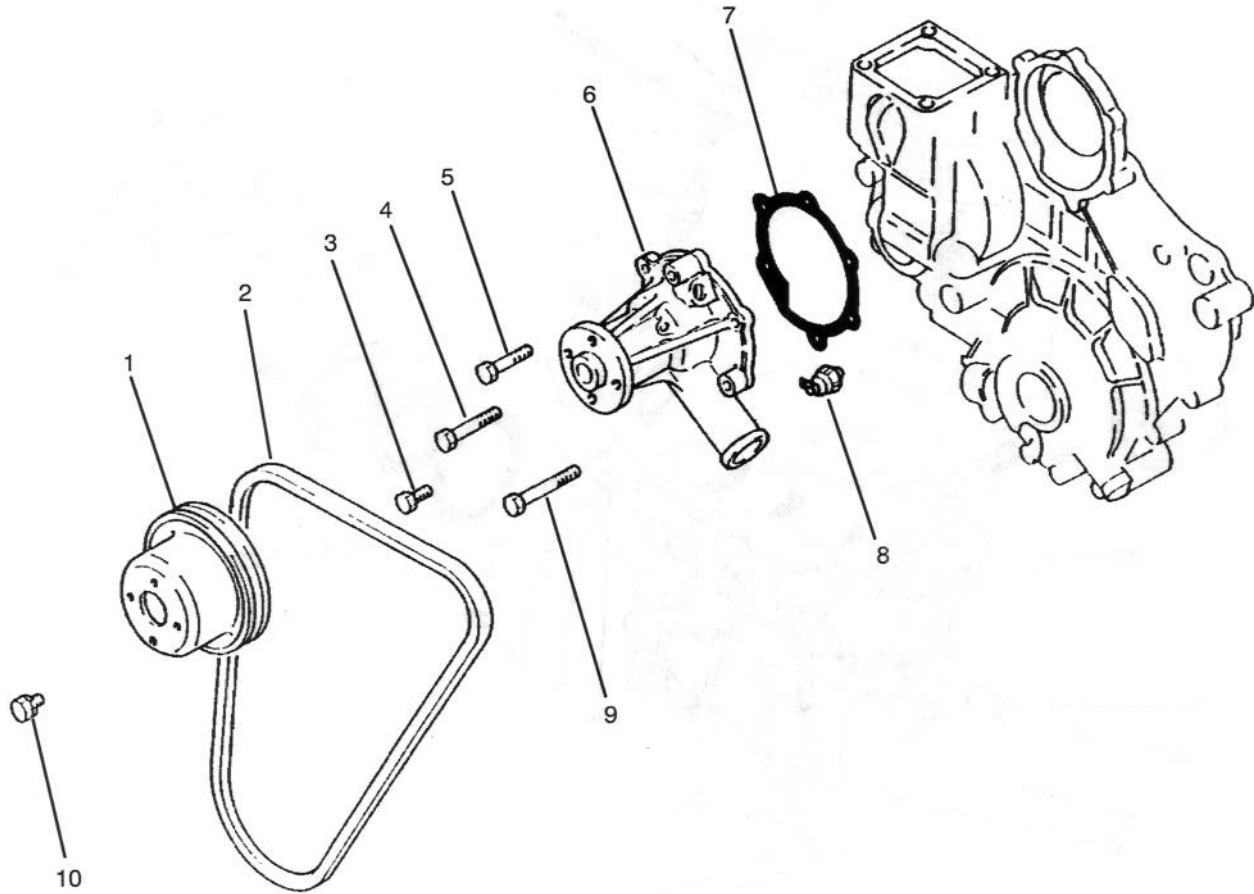
T-0567

## CRANKCASE ASSEMBLY

Ref. No.	Part No.	Description	No. Used
1	75-4920	Case Sub-Assembly	1
2	67-2580	Gasket - Case	1
3	67-2340	Bolt w/Washer	3
6	67-2310	Plate	1
7	67-2320	Gasket - Plate	1
8	42-9440	Bolt w/Washer	11
9	67-2560	Bolt w/Washer	3
10	67-2550	Housing - Oil Pump	1
11	67-2540	Gear - Outer	1
12	67-2530	Gear - Inner	1
14	75-4910	Oil Pan Assembly (Incl. Ref. #15-16)	1
15	42-9260	Plug	1
16	42-7290	Gasket - Oil Drain	2
17	67-2480	Gasket - Oil Pan	1
18	42-9490	Bolt w/Washer	18

Ref. No.	Part No.	Description	No. Used
19	42-7210	Plug	1
20	67-2630	O-Ring	2
21	67-2600	Bolt	3
22	67-2610	Bolt	4
23	67-2590	Oil Seal	1
24	67-2620	Bolt	1
25	67-2500	Plunger	1
26	67-2510	Spring	1
28	67-2520	Plug	1
29	67-2570	Plug	1
30	67-2640	Cap	1
31	67-2660	O-Ring	1
32	67-2650	Oil Fill Cap Assembly (Inc. Ref. #31)	1
*	75-5040	Gasket Kit	1

\*Not Illustrated

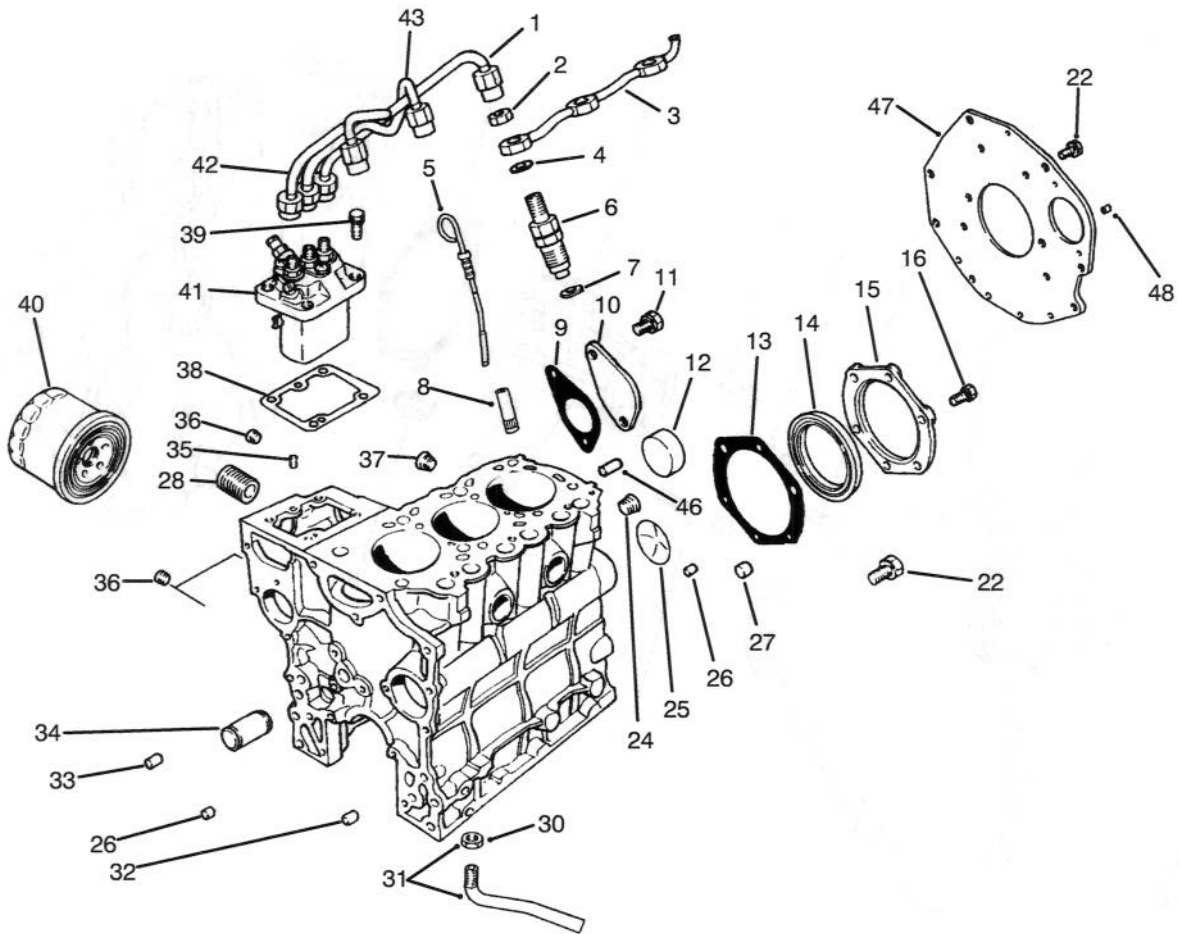


T-0568

## WATER PUMP ASSEMBLY

Ref. No.	Part No.	Description	No. Used
1	67-4360	Pulley	1
2	67-4410	V-Belt	1
3	67-2330	Bolt	2
4	67-4400	Bolt	1
5	67-2600	Bolt	1

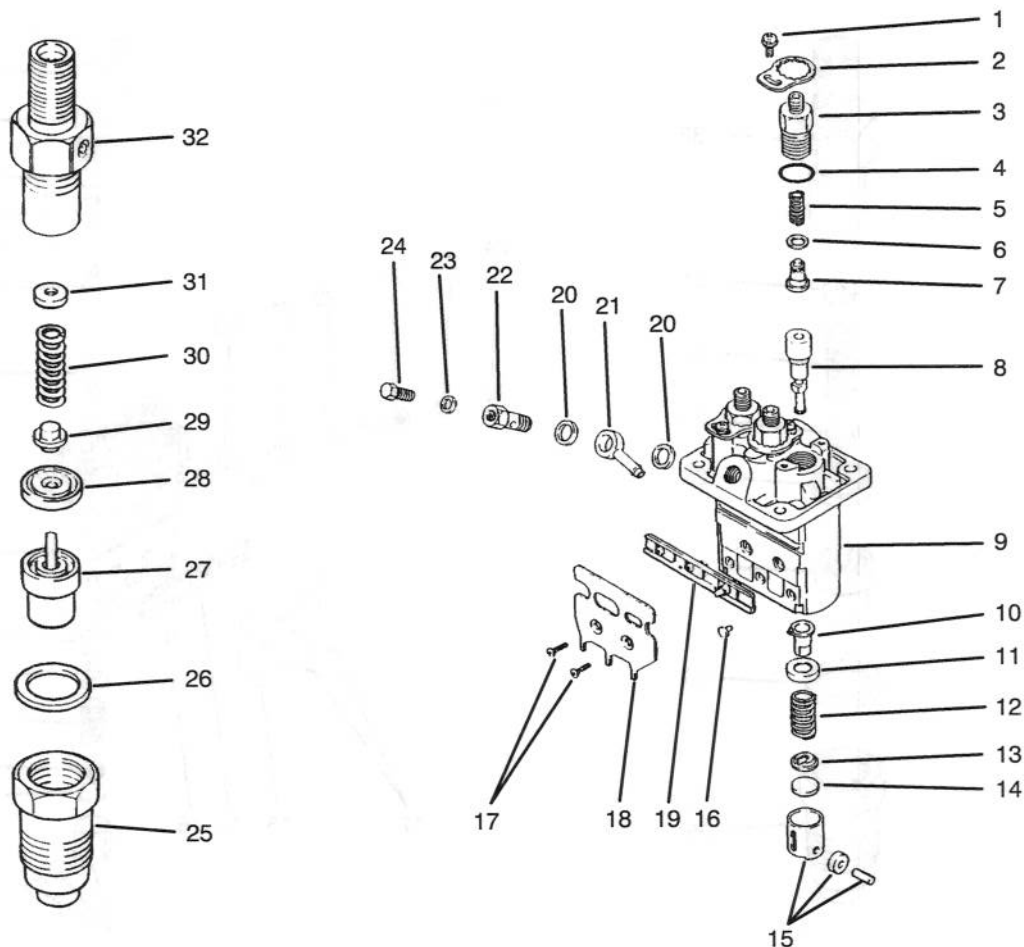
Ref. No.	Part No.	Description	No. Used
6	67-4380	Pump Assembly	1
7	67-4390	Gasket	1
8	67-4350	Oil Pressure Switch	1
9	67-2610	Bolt	2
10	42-9490	Bolt w/Washer	4



T-1667

## FUEL SUPPLY & ENGINE BLOCK ASSEMBLY

Ref. No.	Part No.	Description	No. Used	Ref. No.	Part No.	Description	No. Used
1	67-3420	Assy. - Pipe No. 3	1	32	67-2370	Bushing	1
2	67-3430	Nut	3	33	42-7190	Bushing	2
3	67-3450	Pipe - Fuel Return	1	34	92-0829	Shaft - Idler	1
4	67-3440	Gasket	3	35	56-0220	Pin	2
5	67-2450	Dipstick	1	36	67-2210	Plug	3
6	67-3380	Nozzle & Holder Assembly	1	37	56-0100	Plug	1
7	67-3390	Gasket	3	38	67-3280	Shim 0.2	1
8	67-2220	Guide	1	*	67-3290	Shim 0.3	1
9	67-2300	Gasket	1	*	67-3300	Shim 0.5	1
10	67-2290	Cover	1	*	67-3310	Shim 0.4	1
11	67-2340	Bolt w/Washer	2	*	67-3320	Shim 0.6	1
12	56-0020	Plug	3	*	67-3330	Shim 0.7	1
13	67-2280	Gasket	1	*	67-3340	Shim 0.8	1
14	67-2230	Oil Seal	1	*	67-3350	Shim 0.9	1
15	67-2270	Case	1	*	67-3360	Shim 1.0	1
16	67-2330	Bolt	6	39	67-3370	Bolt w/Washer	4
22	67-2440	Bolt w/Washer	6	40	67-4330	Oil Filter Assembly	1
24	67-2390	Plug	1	41	67-3270	Pump Assembly	1
25	67-2350	Plug	1	42	67-3400	Pipe No. 1 Assembly	1
26	67-2360	Bushing	2	43	67-3410	Pipe No. 2 Assembly	1
27	67-2380	Bushing	3	46	42-7160	Pin - Dowel	1
28	56-1230	Shaft - Oil Filter	1	47	92-0830	Plate - Rear	1
30	42-9650	Nut - Jam	1	48	92-0831	Pin - Knock	1
31	67-4340	Screen Assembly (Incl. Ref. #30)	1				



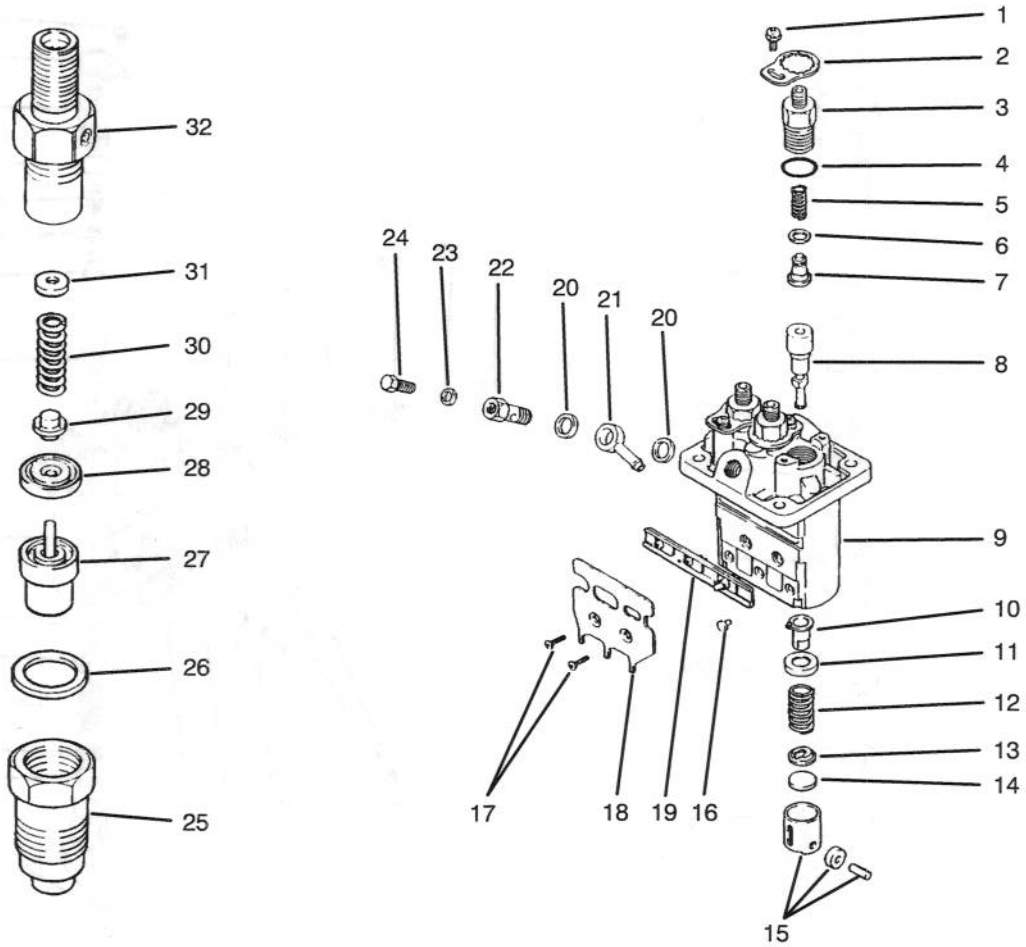
T-0570

## FUEL INJECTION PUMP ASSEMBLY

Ref. No.	Part No.	Description	No. Used
1	67-3770	Screw w/Washer	3
2	67-3760	Plate - Lock	3
3	67-3470	Holder - Delivery Valve	3
4	67-3480	O-Ring	3
5	67-3490	Spring	3
6	42-8240	Gasket	3
7	67-3500	Sub-Assy. - Valve	3
8	67-3510	Sub-Assy. - Element	3
9	67-3460	Sub-Assy. - Housing	1
10	67-3520	Sub-Assy. - Sleeve	3
11	67-3530	Seat	3
12	67-3540	Spring	3
13	67-3550	Seat	3
14	67-3560	Plate - Shim 1.85	1
*	67-3570	Plate - Shim 1.9	1
*	67-3580	Plate - Shim 1.95	1
*	67-3590	Plate - Shim 2.0	1
*	67-3600	Plate - Shim 2.05	1
*	67-3610	Plate - Shim 2.1	1
*	67-3620	Plate - Shim 2.15	1
*	67-3630	Plate - Shim 2.2	1
*	67-3640	Plate - Shim 2.25	1

Ref. No.	Part No.	Description	No. Used
*14	67-3650	Plate - Shim 2.3	1
*	67-3660	Plate - Shim 2.35	1
*	67-3670	Plate - Shim 2.4	1
*	67-3680	Plate - Shim 2.45	1
*	67-3690	Plate - Shim 2.5	1
15	67-3700	Tappet Assembly	3
16	67-3810	Pin	3
17	67-3790	Screw	2
18	67-3800	Bracket	1
19	67-3780	Rack Assembly	1
20	67-3750	Washer	2
21	67-3740	Nipple	1
22	67-3730	Screw	1
23	67-3720	Washer	1
24	67-3710	Screw - Air Bleed	1
25	67-3970	Nut	3
26	67-3980	Gasket	3
27	67-3960	Nozzle Assembly	3
28	67-3950	Piece	3
29	67-3940	Pin	3
30	67-3930	Spring	3

\*Not Illustrated



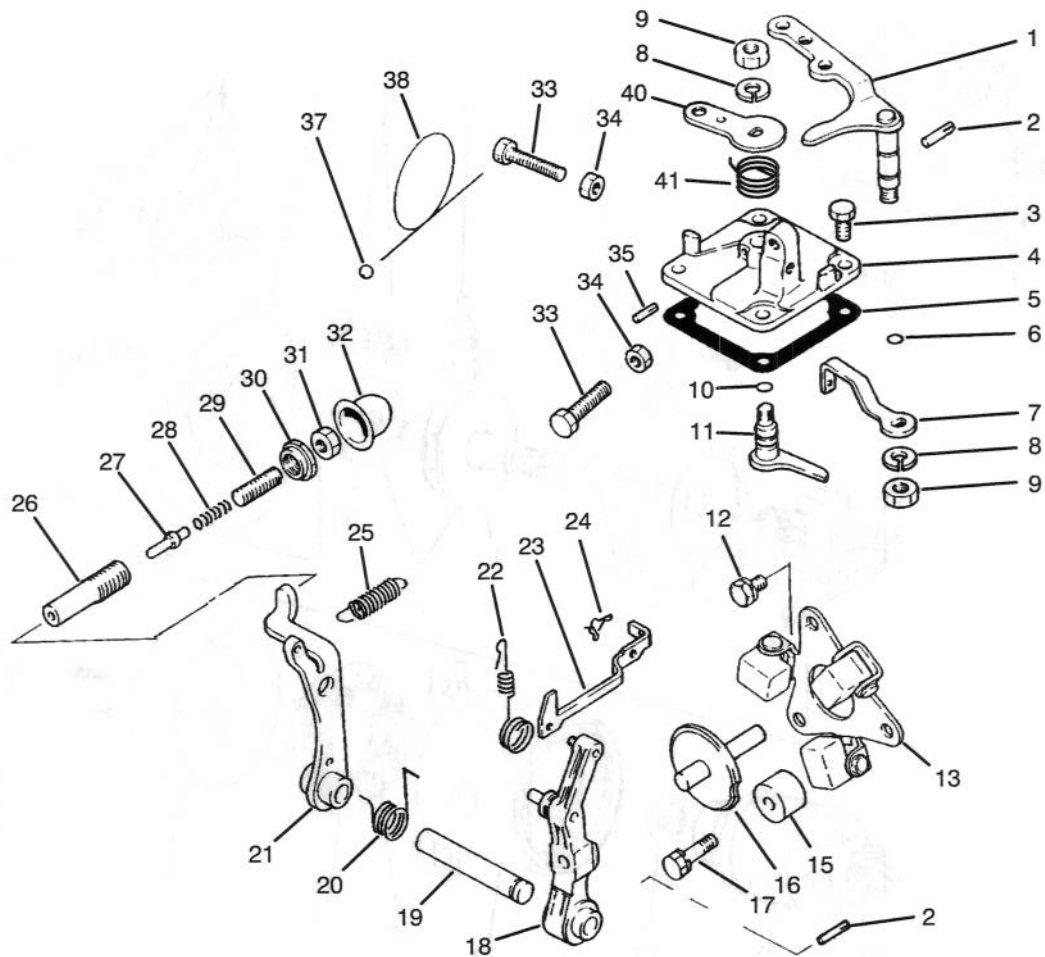
T-0570

## FUEL INJECTION PUMP ASSEMBLY

Ref. No.	Part No.	Description	No. Used
31	67-3830	Washer 1.25	1
*	67-3840	Washer 1.3	1
*	67-3850	Washer 1.35	1
*	67-3860	Washer 1.4	1
*	67-3870	Washer 1.45	1
*	67-3880	Washer 1.5	1
*	67-3890	Washer 1.55	1
*	67-3900	Washer 1.6	1
*	67-3910	Washer 1.65	1
*	67-3920	Washer 1.7	1

Ref. No.	Part No.	Description	No. Used
32	75-5000	Body Sub-Assy.	3
*	53-8150	Pump Assembly (Incl. Ref. #1-24)	1
*	67-3380	Nozzle & Holder Assembly (Incl. Ref. #25-32)	3

\*Not Illustrated

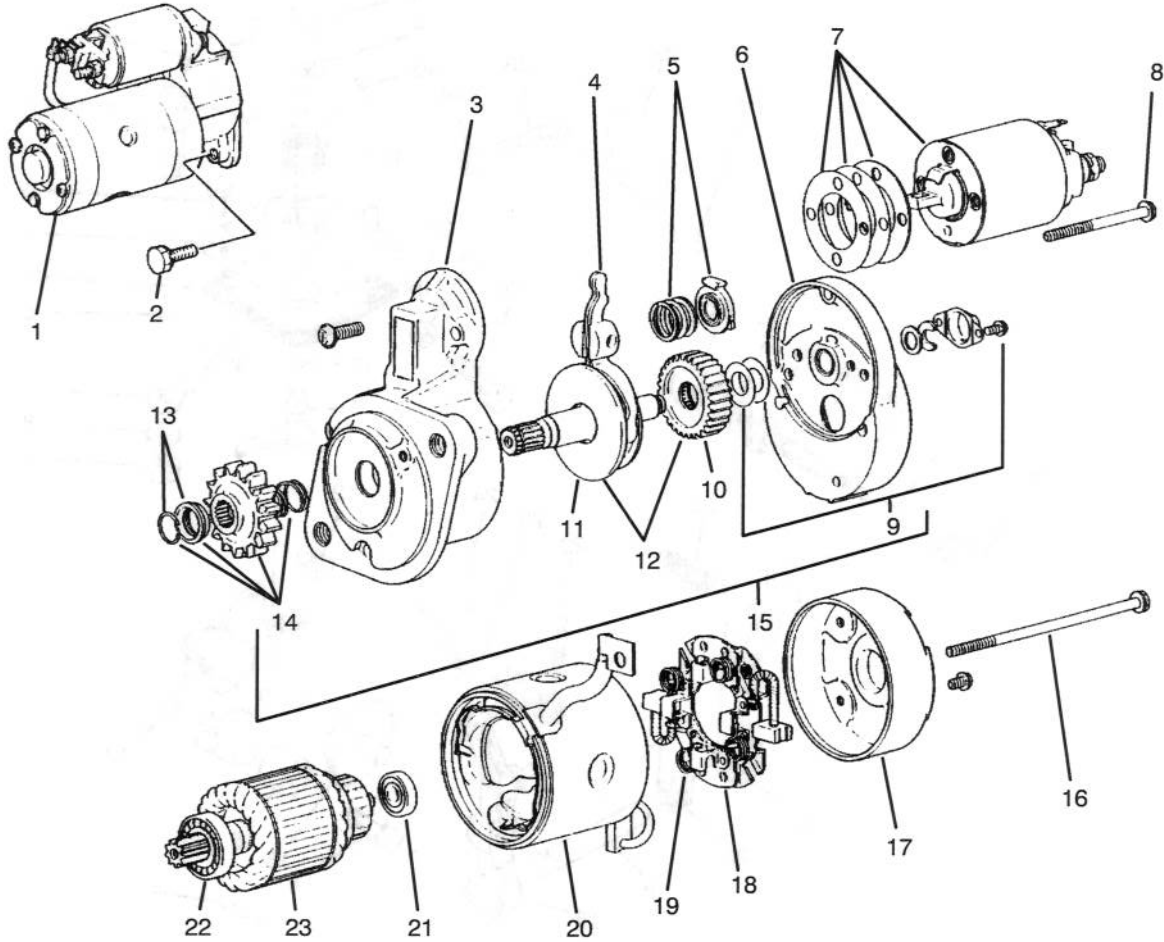


T-0571A

## GOVERNOR ASSEMBLY

Ref. No.	Part No.	Description	No. Used	Ref. No.	Part No.	Description	No. Used
1	67-3990	Lever Assembly (Speed Control)	1	23	67-4030	Rod - Tie	1
2	67-4000	Pin	2	24	67-4080	Clip	1
3	67-4270	Bolt	4	25	67-4260	Spring	1
4	67-4130	Cover - Governor	1	26	67-4210	Case - Torque Spring	1
5	67-4160	Gasket	1	27	67-4230	Stopper	1
6	42-8830	O-Ring	1	28	67-4190	Spring - Torque	1
7	75-4930	Lever - Governor Spring	1	29	67-4220	Screw - Adjusting	1
8	67-3260	Washer	2	30	67-4200	Nut - Special	1
9	42-9640	Nut - Jam	2	31	67-4180	Nut	1
10	42-8830	O-Ring	1	32	67-4240	Cap	1
11	67-4140	Stop Lever Assembly	1	33	42-9420	Bolt	4
12	42-9430	Bolt w/Washer	2	34	67-4290	Nut	4
13	67-4040	Weight Assembly	1	35	67-4120	Pin	1
15	67-4010	Stopper	1	37	42-8690	Metal - Sealing	1
16	67-4070	Sliding Shaft Assembly	1	38	42-8700	Wire	1
17	67-4280	Bolt w/Washer	1	40	67-4150	Lever - Stop	1
18	67-4060	Governor Lever Assembly	1	41		Spring - Return	1
19	67-4050	Shaft	1	*	67-4110	Cover Assembly (Incl. Ref.#4, 10, 11, 35 & 40-42)	1
20	67-5040	Spring	1	*	92-0838	Spring Set (Incl. Ref. #26-31)	1
21	67-4090	Tension Lever Assembly	1				
22	67-4300	Ring - Retaining	1				

\*Not Illustrated

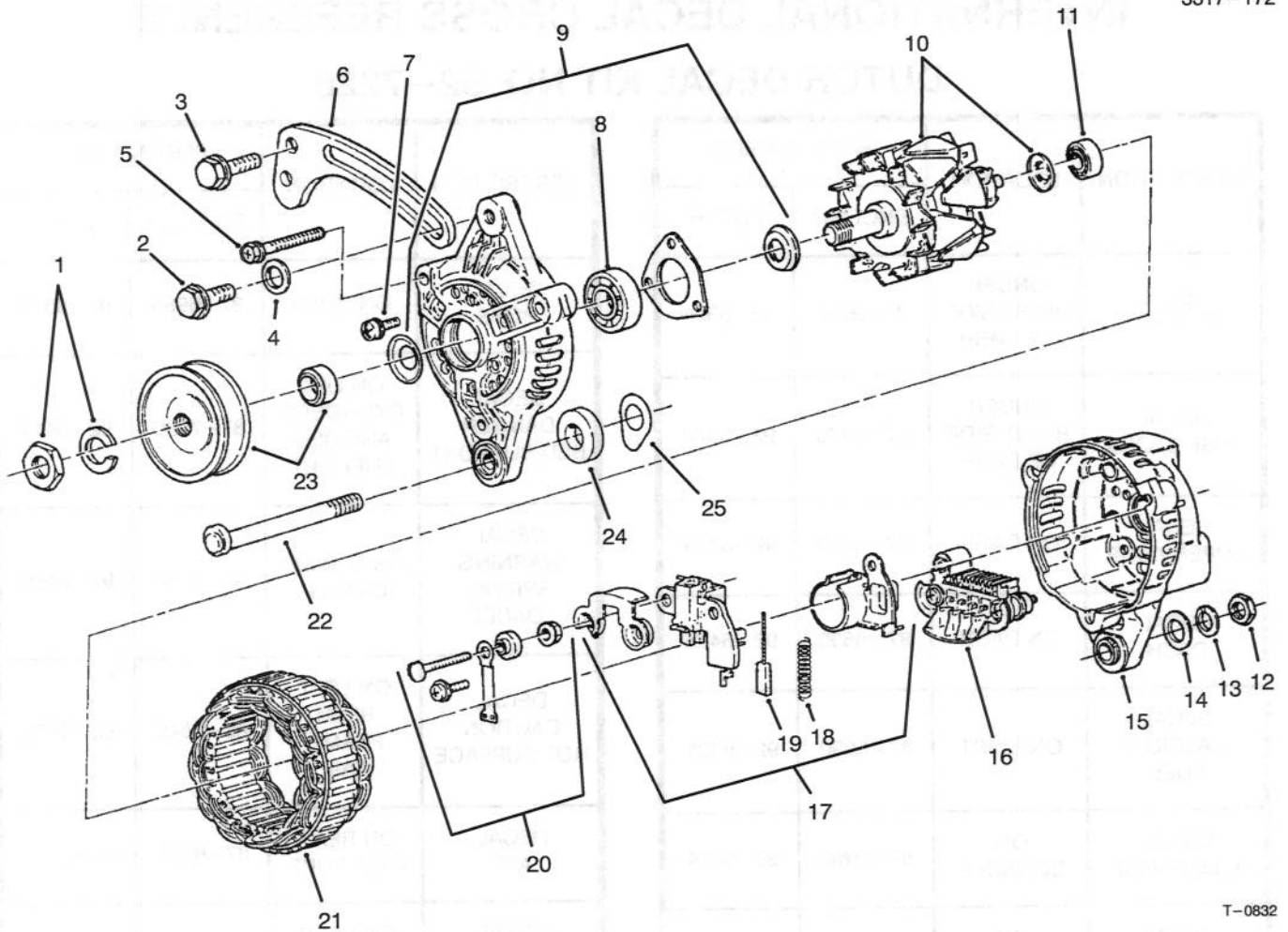


T-0572

### STARTER ASSEMBLY

Ref. No.	Part No.	Description	No. Used
1	67-4600	Starter Assembly (Incl. Ref. #3-23)	1
2	92-0843	Bolt w/Washer	2
3	67-4710	Front Bracket Assembly	1
4	67-4720	Lever Assembly	1
5	67-4730	Spring Set	1
6	67-4740	Center Bracket Assembly	1
7	67-4750	Switch Assembly	1
8	52-1570	Bolt Set	1
9	56-1680	Cover Set	1
10	56-1670	Gear	1
11	67-4790	Shaft Assembly	1
12	67-4780	Gear Set (Incl. Ref. #10 & 11)	1
13	56-1640	Stopper Set	1

Ref. No.	Part No.	Description	No. Used
14	67-4770	Pinion Set (Incl. Ref. #13)	1
15	67-4760	Shaft Assembly (Incl. Ref. #9 - 12 & 14)	1
16	56-1610	Bolt	1
17	56-1720	Assy. - Bracket (Rear)	1
18	56-1700	Brush Holder Assembly (Incl. Ref. #19)	1
19	56-1710	Spring - Brush	4
20	67-4800	Yoke Assembly	1
21	56-1600	Bearing - Rear	1
22	56-1590	Bearing - Front	1
23	56-1580	Armature Set (Incl. Ref. #21 & 22)	1



T-0832

## ALTERNATOR ASSEMBLY

Ref. No.	Part No.	Description	No. Used
1	43-1920	Nut - Set	1
2	67-4660	Bolt - Flange	1
3	42-9440	Bolt w/Washer	1
4	54-8660	Washer - Flat	1
5	67-4820	Bolt Set	1
6	75-4940	Brace - Generator	1
7	67-4840	Screw - Set	1
8	67-4850	Bearing - Front	1
9	67-4830	Front Bracket Assembly (Incl. Ref. #7 & 8)	1
10	67-4860	Rotor Assembly (Incl. Ref. #11)	1
11	67-4870	Bearing - Rear	1
12	67-4670	Nut	1
13	67-3260	Washer - Lock	1
14	42-9660	Washer - Flat	1

Ref. No.	Part No.	Description	No. Used
15	67-4890	Rear Bracket Assembly (Incl. Ref. #16-20)	1
16	67-4930	Rectifier Assembly	1
17	67-4910	Regulator Assembly (Incl. Ref. #18 & 19)	1
18	43-0510	Spring - Brush	2
19	67-4920	Brush	2
20	67-4900	Terminal Set	1
21	67-4880	Stator Assembly	1
22	67-4640	Bolt	1
23	67-4810	Pulley Set	1
24	67-4620	Spacer	1
25	43-0370	Shim	5
*	67-4630	Alternator Assembly (Incl. Ref. #1-25)	1

\*Not Illustrated

# INTERNATIONAL DECAL CROSS REFERENCE

## DUTCH DECAL KIT NO. 92-7226

DESCRIPTION	LOCATION	PART NUMBER	
		ENGLISH	DUTCH
DECAL LOAD RATING	UNDER RIGHT SIDE OF DASH	87-9500	92-5391
DECAL FUSE BLOCK	UNDER RIGHT SIDE OF DASH	87-6670	92-5370
DECAL SUPERVISOR	ON DASH	87-5910	92-5328
DECAL DASH	ON DASH	87-8530	92-6425
DECAL CAUTION FUEL	ON SKIRT	87-5930	92-5321
DECAL AXLE RANGE	ON CONSOLE	87-5960	92-5314
DECAL PTO	ON CONSOLE	87-5970	92-5356
DECAL DIFFERENTIAL LOCK	ON CONSOLE	87-6000	92-5307
DECAL REMOTE HYDRAULICS	ON CONSOLE	92-2609	92-5342
DECAL DUMP HYDRAULICS	ON CONSOLE	87-6010	92-5349
DECAL PARKING BRAKE	ON CONSOLE	87-6020	92-5300
DECAL QUICK REFERENCE	ON REAR OF SKIRT	87-9070	92-5490
DECAL DANGER	ON FRONT OF SKIRT	87-5920	92-6404
DECAL ROLLOVER	ON ROPS	87-5940	92-5384

DESCRIPTION	LOCATION	PART NUMBER	
		ENGLISH	DUTCH
DECAL ROPS	ON ROPS	87-5980	92-5377
DECAL DANGER BED SUPPORT	ON LIFT CYLINDERS AND BED SUPPORT	87-7930	92-6411
DECAL WARNING SPRING LOADED	ON SPRING CRADLE	44-0760	92-6489
DECAL CAUTION HOT SURFACE	ON LEFT REAR FRAME RAIL	66-6840	92-6475
DECAL ATF	ON REAR AXLE TUBE	87-6060	92-5469
DECAL DANGER	ON REAR AXLE TUBE	87-5990	92-5363
DECAL GREASE DRIVE SHAFTS	ON REAR AXLE TUBE	87-9080	92-6440
PLATE WARNING	ON FAN SHROUD	76-8750	92-7236
DECAL WARNING ROTATING MEMBER	ON FAN SUPPORT	80-8040	83-6439
DECAL CAUTION	ON FAN SUPPORT	87-9420	93-3762
DECAL NO STEP	ON BATTERY COVER	36-3400	84-2760
DECAL STARTING FLUID	IN FRONT OF RADIATOR	83-9150	84-6610

# INTERNATIONAL DECAL CROSS REFERENCE (Cont.)

## FRENCH DECAL KIT NO. 92-7227

DESCRIPTION	LOCATION	PART NUMBER	
		ENGLISH	FRENCH
DECAL LOAD RATING	UNDER RIGHT SIDE OF DASH	87-9500	92-5392
DECAL FUSE BLOCK	UNDER RIGHT SIDE OF DASH	87-6670	92-5371
DECAL SUPERVISOR	ON DASH	87-5910	92-5329
DECAL DASH	ON DASH	87-8530	92-6426
DECAL CAUTION FUEL	ON SKIRT	87-5930	92-5322
DECAL AXLE RANGE	ON CONSOLE	87-5960	92-5315
DECAL PTO	ON CONSOLE	87-5970	92-5357
DECAL DIFFERENTIAL LOCK	ON CONSOLE	87-6000	92-5308
DECAL REMOTE HYDRAULICS	ON CONSOLE	92-2609	92-5343
DECAL DUMP HYDRAULICS	ON CONSOLE	87-6010	92-5350
DECAL PARKING BRAKE	ON CONSOLE	87-6020	92-5301
DECAL QUICK REFERENCE	ON REAR OF SKIRT	87-9070	92-5498
DECAL DANGER	ON FRONT OF SKIRT	87-5920	92-6405
DECAL ROLLOVER	ON ROPS	87-5940	92-5385

DESCRIPTION	LOCATION	PART NUMBER	
		ENGLISH	FRENCH
DECAL ROPS	ON ROPS	87-5980	92-5378
DECAL DANGER BED SUPPORT	ON LIFT CYLINDERS AND BED SUPPORT	87-7930	92-6412
DECAL WARNING SPRING LOADED	ON SPRING CRADLE	44-0760	92-6490
DECAL CAUTION HOT SURFACE	ON LEFT REAR FRAME RAIL	66-6840	92-6476
DECAL ATF	ON REAR AXLE TUBE	87-6060	92-5470
DECAL DANGER	ON REAR AXLE TUBE	87-5990	92-5364
DECAL GREASE DRIVE SHAFTS	ON REAR AXLE TUBE	87-9080	92-6441
PLATE WARNING	ON FAN SHROUD	76-8750	92-7237
DECAL WARNING ROTATING MEMBER	ON FAN SUPPORT	80-8040	83-6210
DECAL CAUTION	ON FAN SUPPORT	87-9420	93-3763
DECAL NO STEP	ON BATTERY COVER	36-3400	84-2720
DECAL STARTING FLUID	IN FRONT OF RADIATOR	83-9150	84-6630

**INTERNATIONAL DECAL CROSS REFERENCE (Cont.)****GERMAN DECAL KIT NO. 92-7228**

DESCRIPTION	LOCATION	PART NUMBER	
		ENGLISH	GERMAN
DECAL LOAD RATING	UNDER RIGHT SIDE OF DASH	87-9500	92-5393
DECAL FUSE BLOCK	UNDER RIGHT SIDE OF DASH	87-6670	92-5372
DECAL SUPERVISOR	ON DASH	87-5910	92-5330
DECAL DASH	ON DASH	87-8530	92-6427
DECAL CAUTION FUEL	ON SKIRT	87-5930	92-5323
DECAL AXLE RANGE	ON CONSOLE	87-5960	92-5316
DECAL PTO	ON CONSOLE	87-5970	92-5358
DECAL DIFFERENTIAL LOCK	ON CONSOLE	87-6000	92-5309
DECAL REMOTE HYDRAULICS	ON CONSOLE	92-2609	92-5344
DECAL DUMP HYDRAULICS	ON CONSOLE	87-6010	92-5351
DECAL PARKING BRAKE	ON CONSOLE	87-6020	92-5302
DECAL QUICK REFERENCE	ON REAR OF SKIRT	87-9070	92-5499
DECAL DANGER	ON FRONT OF SKIRT	87-5920	92-6406
DECAL ROLLOVER	ON ROPS	87-5940	92-5386

DESCRIPTION	LOCATION	PART NUMBER	
		ENGLISH	GERMAN
DECAL ROPS	ON ROPS	87-5980	92-5379
DECAL DANGER BED SUPPORT	ON LIFT CYLINDERS AND BED SUPPORT	87-7930	92-6413
DECAL WARNING SPRING LOADED	ON SPRING CRADLE	44-0760	92-6491
DECAL CAUTION HOT SURFACE	ON LEFT REAR FRAME RAIL	66-6840	92-6477
DECAL ATF	ON REAR AXLE TUBE	87-6060	92-5471
DECAL DANGER	ON REAR AXLE TUBE	87-5990	92-5365
DECAL GREASE DRIVE SHAFTS	ON REAR AXLE TUBE	87-9080	92-6442
PLATE WARNING	ON FAN SHROUD	76-8750	92-7238
DECAL WARNING ROTATING MEMBER	ON FAN SUPPORT	80-8040	83-5730
DECAL CAUTION	ON FAN SUPPORT	87-9420	93-3764
DECAL NO STEP	ON BATTERY COVER	36-3400	84-2730
DECAL STARTING FLUID	IN FRONT OF RADIATOR	83-9150	84-6640

# INTERNATIONAL DECAL CROSS REFERENCE (Cont.)

## ITALIAN DECAL KIT NO. 92-7229

DESCRIPTION	LOCATION	PART NUMBER	
		ENGLISH	ITALIAN
DECAL LOAD RATING	UNDER RIGHT SIDE OF DASH	87-9500	92-5394
DECAL FUSE BLOCK	UNDER RIGHT SIDE OF DASH	87-6670	92-5373
DECAL SUPERVISOR	ON DASH	87-5910	92-5331
DECAL DASH	ON DASH	87-8530	92-6428
DECAL CAUTION FUEL	ON SKIRT	87-5930	92-5324
DECAL AXLE RANGE	ON CONSOLE	87-5960	92-5317
DECAL PTO	ON CONSOLE	87-5970	92-5359
DECAL DIFFERENTIAL LOCK	ON CONSOLE	87-6000	92-5310
DECAL REMOTE HYDRAULICS	ON CONSOLE	92-2609	92-5345
DECAL DUMP HYDRAULICS	ON CONSOLE	87-6010	92-5352
DECAL PARKING BRAKE	ON CONSOLE	87-6020	92-5303
DECAL QUICK REFERENCE	ON REAR OF SKIRT	87-9070	92-6400
DECAL DANGER	ON FRONT OF SKIRT	87-5920	92-6407
DECAL ROLLOVER	ON ROPS	87-5940	92-5387

DESCRIPTION	LOCATION	PART NUMBER	
		ENGLISH	ITALIAN
DECAL ROPS	ON ROPS	87-5980	92-5380
DECAL DANGER BED SUPPORT	ON LIFT CYLINDERS AND BED SUPPORT	87-7930	92-6414
DECAL WARNING SPRING LOADED	ON SPRING CRADLE	44-0760	92-6492
DECAL CAUTION HOT SURFACE	ON LEFT REAR FRAME RAIL	66-6840	92-6478
DECAL ATF	ON REAR AXLE TUBE	87-6060	92-5472
DECAL DANGER	ON REAR AXLE TUBE	87-5990	92-5366
DECAL GREASE DRIVE SHAFTS	ON REAR AXLE TUBE	87-9080	92-6443
PLATE WARNING	ON FAN SHROUD	76-8750	92-7239
DECAL WARNING ROTATING MEMBER	ON FAN SUPPORT	80-8040	83-5600
DECAL CAUTION	ON FAN SUPPORT	87-9420	93-3765
DECAL NO STEP	ON BATTERY COVER	36-3400	84-2750
DECAL STARTING FLUID	IN FRONT OF RADIATOR	83-9150	84-6650

**INTERNATIONAL DECAL CROSS REFERENCE (Cont.)****JAPANESE DECAL KIT NO. 92-7230**

DESCRIPTION	LOCATION	PART NUMBER	
		ENGLISH	JAPANESE
DECAL LOAD RATING	UNDER RIGHT SIDE OF DASH	87-9500	92-5395
DECAL FUSE BLOCK	UNDER RIGHT SIDE OF DASH	87-6670	92-5374
DECAL SUPERVISOR	ON DASH	87-5910	92-5332
DECAL DASH	ON DASH	87-8530	92-6429
DECAL CAUTION FUEL	ON SKIRT	87-5930	92-5325
DECAL AXLE RANGE	ON CONSOLE	87-5960	92-5318
DECAL PTO	ON CONSOLE	87-5970	92-5360
DECAL DIFFERENTIAL LOCK	ON CONSOLE	87-6000	92-5311
DECAL REMOTE HYDRAULICS	ON CONSOLE	92-2609	92-5346
DECAL DUMP HYDRAULICS	ON CONSOLE	87-6010	92-5353
DECAL PARKING BRAKE	ON CONSOLE	87-6020	92-5304
DECAL QUICK REFERENCE	ON REAR OF SKIRT	87-9070	92-6401
DECAL DANGER	ON FRONT OF SKIRT	87-5920	92-6408
DECAL ROLLOVER	ON ROPS	87-5940	92-5388

DESCRIPTION	LOCATION	PART NUMBER	
		ENGLISH	JAPANESE
DECAL ROPS	ON ROPS	87-5980	92-5381
DECAL DANGER BED SUPPORT	ON LIFT CYLINDERS AND BED SUPPORT	87-7930	92-6415
DECAL WARNING SPRING LOADED	ON SPRING CRADLE	44-0760	92-6493
DECAL CAUTION HOT SURFACE	ON LEFT REAR FRAME RAIL	66-6840	92-6479
DECAL ATF	ON REAR AXLE TUBE	87-6060	92-5473
DECAL DANGER	ON REAR AXLE TUBE	87-5990	92-5367
DECAL GREASE DRIVE SHAFTS	ON REAR AXLE TUBE	87-9080	92-6444
PLATE WARNING	ON FAN SHROUD	76-8750	92-7240
DECAL WARNING ROTATING MEMBER	ON FAN SUPPORT	80-8040	83-6030
DECAL CAUTION	ON FAN SUPPORT	87-9420	93-3766
DECAL NO STEP	ON BATTERY COVER	36-3400	84-2780
DECAL STARTING FLUID	IN FRONT OF RADIATOR	83-9150	84-6660

# INTERNATIONAL DECAL CROSS REFERENCE (Cont.)

## SPANISH DECAL KIT NO. 92-7231

DESCRIPTION	LOCATION	PART NUMBER	
		ENGLISH	SPANISH
DECAL LOAD RATING	UNDER RIGHT SIDE OF DASH	87-9500	92-5396
DECAL FUSE BLOCK	UNDER RIGHT SIDE OF DASH	87-6670	92-5375
DECAL SUPERVISOR	ON DASH	87-5910	92-5333
DECAL DASH	ON DASH	87-8530	92-6430
DECAL CAUTION FUEL	ON SKIRT	87-5930	92-5326
DECAL AXLE RANGE	ON CONSOLE	87-5960	92-5319
DECAL PTO	ON CONSOLE	87-5970	92-5361
DECAL DIFFERENTIAL LOCK	ON CONSOLE	87-6000	92-5312
DECAL REMOTE HYDRAULICS	ON CONSOLE	92-2609	92-5347
DECAL DUMP HYDRAULICS	ON CONSOLE	87-6010	92-5354
DECAL PARKING BRAKE	ON CONSOLE	87-6020	92-5305
DECAL QUICK REFERENCE	ON REAR OF SKIRT	87-9070	92-6402
DECAL DANGER	ON FRONT OF SKIRT	87-5920	92-6409
DECAL ROLLOVER	ON ROPS	87-5940	92-5389

DESCRIPTION	LOCATION	PART NUMBER	
		ENGLISH	SPANISH
DECAL ROPS	ON ROPS	87-5980	92-5382
DECAL DANGER BED SUPPORT	ON LIFT CYLINDERS AND BED SUPPORT	87-7930	92-6416
DECAL WARNING SPRING LOADED	ON SPRING CRADLE	44-0760	92-6494
DECAL CAUTION HOT SURFACE	ON LEFT REAR FRAME RAIL	66-6840	92-6480
DECAL ATF	ON REAR AXLE TUBE	87-6060	92-5474
DECAL DANGER	ON REAR AXLE TUBE	87-5990	92-5368
DECAL GREASE DRIVE SHAFTS	ON REAR AXLE TUBE	87-9080	92-6445
PLATE WARNING	ON FAN SHROUD	76-8750	92-7241
DECAL WARNING ROTATING MEMBER	ON FAN SUPPORT	80-8040	83-5890
DECAL CAUTION	ON FAN SUPPORT	87-9420	93-3767
DECAL NO STEP	ON BATTERY COVER	36-3400	84-2740
DECAL STARTING FLUID	IN FRONT OF RADIATOR	83-9150	84-6680

**INTERNATIONAL DECAL CROSS REFERENCE (Cont.)****SWEDISH DECAL KIT NO. 92-7232**

DESCRIPTION	LOCATION	PART NUMBER	
		ENGLISH	SWEDISH
DECAL LOAD RATING	UNDER RIGHT SIDE OF DASH	87-9500	92-5397
DECAL FUSE BLOCK	UNDER RIGHT SIDE OF DASH	87-6670	92-5376
DECAL SUPERVISOR	ON DASH	87-5910	92-5334
DECAL DASH	ON DASH	87-8530	92-6431
DECAL CAUTION FUEL	ON SKIRT	87-5930	92-5327
DECAL AXLE RANGE	ON CONSOLE	87-5960	92-5320
DECAL PTO	ON CONSOLE	87-5970	92-5362
DECAL DIFFERENTIAL LOCK	ON CONSOLE	87-6000	92-5313
DECAL REMOTE HYDRAULICS	ON CONSOLE	92-2609	92-5348
DECAL DUMP HYDRAULICS	ON CONSOLE	87-6010	92-5355
DECAL PARKING BRAKE	ON CONSOLE	87-6020	92-5306
DECAL QUICK REFERENCE	ON REAR OF SKIRT	87-9070	92-6403
DECAL DANGER	ON FRONT OF SKIRT	87-5920	92-6410
DECAL ROLLOVER	ON ROPS	87-5940	92-5390

DESCRIPTION	LOCATION	PART NUMBER	
		ENGLISH	SWEDISH
DECAL ROPS	ON ROPS	87-5980	92-5383
DECAL DANGER BED SUPPORT	ON LIFT CYLINDERS AND BED SUPPORT	87-7930	92-6417
DECAL WARNING SPRING LOADED	ON SPRING CRADLE	44-0760	92-6495
DECAL CAUTION HOT SURFACE	ON LEFT REAR FRAME RAIL	66-6840	92-6481
DECAL ATF	ON REAR AXLE TUBE	87-6060	92-5475
DECAL DANGER	ON REAR AXLE TUBE	87-5990	92-5369
DECAL GREASE DRIVE SHAFTS	ON REAR AXLE TUBE	87-9080	92-6446
PLATE WARNING	ON FAN SHROUD	76-8750	92-7242
DECAL WARNING ROTATING MEMBER	ON FAN SUPPORT	80-8040	83-5450
DECAL CAUTION	ON FAN SUPPORT	87-9420	93-3768
DECAL NO STEP	ON BATTERY COVER	36-3400	84-2710
DECAL STARTING FLUID	IN FRONT OF RADIATOR	83-9150	84-6690

# TORO PART NUMBER INDEX

3317-172

Part No.	Description	Pg. No.	Ref. No.	Qty.	Part No.	Description	Pg. No.	Ref. No.	Qty.
111071	Bumper	14	4	2	42-7510	Pipe	49	9	1
116749	Horn Assembly	1	21	1	42-7840	Key	47	20	1
146489	Rivet - Pop	1	28	8	42-7860	Lock	48	33	12
5-3637	Washer - Flat	40	7	1	42-7870	Seal	48	30	6
5-3637	Washer - Flat	30	16	1	42-8240	Gasket	53	6	3
12-5450	Screw - Hex. Hd.	39	11	4	42-8690	Metal - Sealing	55	37	1
18-1720	Ball Joint	30	49	1	42-8700	Wire	55	38	1
18-2830	Horn Switch Assembly	2	31	1	42-8830	O-Ring	55	6	1
18-4260	Screw/Lockwasher Assy.	6	9	2	42-8830	O-Ring	55	10	1
18-4270	Clamp - Ball Return Guide	6	8	1	42-9110	Gasket	49	21	1
18-4340	Plug - Rack Piston End	6	6	1	42-9110	Gasket - Muffler	30	25	1
18-5160	Seal Kit - Pitman Shaft	7	*	1	42-9260	Plug	50	15	1
18-5170	Seal Kit - Valve Ring	7	*	1	42-9420	Bolt	55	33	4
18-5180	Bearing Kit - Lower Thrust	7	*	1	42-9430	Bolt w/Washer	49	7	1
18-5190	Ball - Chrome Alloy	6	10	11	42-9430	Bolt w/Washer	55	12	2
19-4050	Knob	38	8	2	42-9440	Bolt W/Washer	48	25	4
19-4050	Knob	26	34	1	42-9440	Bolt w/Washer	57	3	1
20-7150	Switch - Glow Plug	3	62	1	42-9440	Bolt w/Washer	50	8	11
21-0360	Nut	9	6	1	42-9440	Screw - Cap Hex. Hd.	30	1	3
21-1830	Spring - Extension	8	30	1	42-9440	Screw - Cap Hex. Hd.	30	54	1
21-9260	Spacer	5	4	1	42-9490	Bolt w/Washer	51	10	4
22-8330	Plug	45	1	2	42-9490	Bolt w/Washer	47	11	2
22-8340	Spring	45	3	2	42-9490	Bolt w/Washer	50	18	18
22-8350	Ball	45	4	2	42-9510	Bolt	48	42	1
22-8360	Pin - Cam	45	6	2	42-9530	Screw - Cap Hex. Hd.	33	10	25
22-8370	Seat-Check Valve	45	5	2	42-9530	Screw - Cap Hex. Hd.	12	21	9
22-8380	Retainer - Spring	45	10	2	42-9570	Stud	49	20	4
22-8410	Spring	45	11	1	42-9570	Stud - Muffler	30	24	4
22-8420	Spool	45	8	1	42-9580	Nut - Lock	30	33	2
22-8480	Ring - Retaining, Spool	45	13	1	42-9590	Nut	48	17	6
22-8490	Ring - Retaining	45	14	1	42-9640	Nut - Jam	55	9	2
22-8500	O-Ring	45	9	2	42-9650	Nut - Jam	52	30	1
23-3030	Spacer	45	12	1	42-9660	Washer	48	39	4
23-7270	Nut - Lug	20	4	10	42-9660	Washer - Flat	57	14	1
23-7270	Nut - Lug	23	18	10	42-9850	Washer - Lock	12	20	12
26-0071	Bumper	1	9	2	42-9850	Washer - Lock	36	23	3
27-2360	Ignition Switch Assembly	2	43	1	42-9850	Washer - Lock	30	26	4
27-5360	Hose - Fuel	39	12	2	42-9850	Washer - Lock	33	32	42
27-5360	Hose - Fuel	30	13	1	43-0370	Shim	57	25	5
27-6590	Spacer - Thick	28	7	4	43-0510	Spring - Brush	57	18	2
27-6600	Spacer - Thin	28	3	4	43-1920	Nut - Set	57	1	1
28-8200	O-Ring	6	27	1	43-1950	Valve	43	9	1
28-8210	Bolt - Flange Hex. Hd.	6	17	4	43-2550	Filter	39	26	1
28-8220	Nut - Lash Adjuster	6	16	1	43-2560	Gasket	39	25	1
28-8270	Seal Service Kit - End Plug	7	*	1	43-2570	Gasket	39	27	1
28-8280	Seal Kit - Side Cover	6	14	1	43-2580	Magnet	39	24	1
28-8290	Seal Service Kit	7	*	1	43-2710	O-Ring	49	36	2
33-1300	Assembly - Element	41	5	1	43-2820	Cap - Sealing	48	47	1
33-1310	Baffle	41	8	1	43-3160	Screw - Adjusting	48	44	1
33-1330	Assembly - Nut	41	6	1	43-5150	Piston	44	11	1
33-1340	Clamp Assembly	41	7	1	43-5920	Washer - Lock	30	17	1
33-1350	Band Assembly	41	3	2	43-5960	Nut - Special	48	46	1
33-3090	Bushing - Flange	18	7	4	43-5970	Nut	39	35	2
36-3400	Decal - No Step	38	10	1	43-6550	Ring - Retaining	5	10	2
36-4790	Washer - Thrust	30	39	3	44-0760	Decal - Warning	18	33	2
39-7310	O-Ring	6	35	3	44-2230	Disc - Rubber	28	4	2
39-7310	Seal - O-Ring	42	29	2	46-3710	Fitting - 90°	39	21	2
39-7420	Washer - Lock	5	22	1	46-8091	Screw - Hex. Flange Hd.	26	10	2
39-7420	Washer - Lock	6	42	1	48-7560	Screw - Cap Hex. Hd.	33	24	1
39-7440	Nut - Lock	5	23	1	48-7650	Screw - Cap Hex. Hd.	39	1	2
39-7440	Nut - Pitman Arm	6	41	1	48-7660	Screw - Cap Hex. Hd.	30	51	2
42-3560	Screw - Shoulder	16	15	1	48-7700	Screw - Cap Hex. Hd.	36	9	3
42-7080	Cap	47	2	2	48-7700	Screw - Cap Hex. Hd.	30	23	6
42-7160	Pin - Dowel	52	46	1	48-7730	Screw - Cap Hex. Hd.	33	18	5
42-7190	Bushing	52	33	2	48-7740	Screw - Cap Hex. Hd.	5	15	4
42-7210	Plug	50	19	1	48-7880	Nut - Lock	30	18	1
42-7290	Gasket - Oil Drain	50	16	2	48-7930	Nut	30	27	4
42-7510	Pipe	49	4	1	48-7930	Nut - Hex.	33	2	1

\*Not Illustrated

# TORO PART NUMBER INDEX (Cont.)

Part No.	Description	Pg. No.	Ref. No.	Qty.	Part No.	Description	Pg. No.	Ref. No.	Qty.
48-8000	Washer - Lock	39	34	2	67-2210	Plug	52	36	3
48-8010	Washer - Lock	30	52	2	67-2220	Guide	52	8	1
48-8070	Washer - Flat	5	6	1	67-2230	Oil Seal	52	14	1
48-9520	Nut - Lock	22	28	2	67-2250	Bolt	47	5	8
48-9520	Nut - Lock	31	50	3	67-2270	Case	52	15	1
48-9590	Washer - Lock	30	29	10	67-2280	Gasket	52	13	1
49-7810	Nut - Lock	39	36	2	67-2290	Cover	52	10	1
49-9150	Washer - Flat	16	2	1	67-2300	Gasket	52	9	1
49-9150	Washer - Flat	15	36	1	67-2310	Plate	50	6	1
51-5610	Pin - Alignment	30	20	3	67-2320	Gasket - Plate	50	7	1
51-5610	Pin - Dowel	48	26	3	67-2330	Bolt	51	3	2
52-1570	Bolt Set	56	8	1	67-2330	Bolt	52	16	6
52-2890	Bushing - Flange	8	24	2	67-2330	Bolt	49	34	4
53-8150	Fuel Pump Assembly	39	28	1	67-2340	Bolt w/Washer	50	3	3
53-8150	Pump Assembly	54	*	1	67-2340	Bolt w/Washer	52	11	2
54-0110	Element - Oil Filter	31	38	1	67-2340	Bolt w/Washer	49	17	2
54-8660	Washer - Flat	57	4	1	67-2350	Plug	52	25	1
55-7120	Switch - Brake Light	8	9	1	67-2360	Bushing	52	26	2
56-0020	Plug	52	12	3	67-2370	Bushing	52	32	1
56-0020	Plug	47	24	3	67-2380	Bushing	52	27	3
56-0020	Plug - Expansion	49	18	1	67-2390	Plug	52	24	1
56-0100	Plug	52	37	1	67-2410	Bearing Set 0.25	47		1
56-0220	Pin	52	35	2	67-2420	Bearing Set 0.50	47		1
56-0480	Key - Woodruff	47	8	1	67-2440	Bolt w/Washer	52	22	6
56-0480	Key - Woodruff	48	18	2	67-2450	Dipstick	52	5	1
56-1230	Shaft - Oil Filter	52	28	1	67-2480	Gasket - Oil Pan	50	17	1
56-1580	Armature Set	56	23	1	67-2500	Plunger	50	25	1
56-1590	Bearing - Front	56	22	1	67-2510	Spring	50	26	1
56-1600	Bearing - Rear	56	21	1	67-2520	Plug	50	28	1
56-1610	Bolt	56	16	1	67-2530	Gear - Inner	50	12	1
56-1640	Stopper Set	56	13	1	67-2540	Gear - Outer	50	11	1
56-1670	Gear	56	10	1	67-2550	Housing - Oil Pump	50	10	1
56-1680	Cover Set	56	9	1	67-2560	Bolt w/Washer	50	9	3
56-1700	Brush Holder Assembly	56	18	1	67-2570	Plug	50	29	1
56-1710	Spring - Brush	56	19	4	67-2570	Plug - Taper	49	19	1
56-1720	Assy. - Bracket (Rear)	56	17	1	67-2580	Gasket - Case	50	2	1
56-7973	Clamp - Hydraulic Tube	42	17	4	67-2590	Oil Seal	50	23	1
57-6380	Screw - Cap Hex. Hd.	12	27	3	67-2600	Bolt	51	5	1
58-4250	Magnet	26	11	2	67-2600	Bolt	50	21	3
60-6750	Screw - Cap Hex. Hd.	33	4	11	67-2610	Bolt	51	9	2
62-5550	Decal - TORO	1	2	1	67-2610	Bolt	50	22	4
62-7650	Gasket - Sending Unit	40	3	1	67-2620	Bolt	50	24	1
63-7440	Solenoid - Shutoff	48	48	1	67-2630	O-Ring	50	20	2
63-7590	Relay - S.P.D.T.	39	9	1	67-2640	Cap	50	30	1
63-7640	Unit - Sending	40	4	1	67-2650	Oil Fill Cap Assembly	50	32	1
63-7790	Screw - Cap Hex. Hd.	30	28	13	67-2660	O-Ring	50	31	1
63-8140	Pulley	26	19	1	67-2670	Hose - Breather	49	8	1
63-8280	Head - Filter	39	16	1	67-2680	Hanger - Engine	49	16	2
63-8290	Vent - Air	39	17	1	67-2700	Guide - Valve	49	42	6
63-8300	Element - Filter	39	18	1	67-2710	Cap - Sealing	49	41	3
63-8310	Drain - Filter	39	19	1	67-2720	Gasket - Cylinder Head	49	25	1
63-8360	Key - Ignition	2	10	1	67-2730	Bolt	49	43	8
63-9230	Battery	38	7	1	67-2740	Bolt - Flange	49	15	3
63-9640	Hose - Fuel	40	12	1	67-2760	Gasket	49	14	1
63-9640	Hose - Fuel Tank to Pump	39	23	1	67-2770	Nut - Cap	49	12	2
64-4430	Gasket - Thermostat	30	43	1	67-2780	Washer	49	13	2
65-5100	Handle	26	9	1	67-2790	Ring Set STD	48	11	3
65-5220	Screw - Hex. Socket Hd.	15	40	3	67-2800	Ring Set 0.25 OS	48		3
65-5360	Spring - Extension	5	35	1	67-2810	Ring Set 0.5005	48		3
66-3160	Screw - Cap Hex. Hd.	12	6	4	67-2850	Connecting Rod Assembly	48	9	3
66-3160	Screw - Cap Hex. Hd.	31	24	7	67-2860	Bolt	48	12	6
66-3160	Screw - Cap Hex. Hd.	12	39	4	67-2890	Bearing Set 0.25 US	48		3
66-3240	Cap - Radiator	26	12	1	67-2900	Bearing Set 0.50 US	48		3
66-6840	Decal - Caution	22	32	1	67-2940	Nut - Jam	48	22	1
66-8700	Glow Plug Indicator Assy.	39	32	1	67-2950	Washer	48	20	1
66-8800	Relay	39	10	1	67-2960	Washer - Lock	48	21	1
67-1450	Spring	30	48	1	67-2980	Gear - Ring	48	15	1
67-2200	Seal	47	4	4	67-2990	Bolt	48	14	4

\*Not Illustrated

# TORO PART NUMBER INDEX (Cont.)

Part No.	Description	Pg. Ref.		Part No.	Description	Pg. Ref.	
		No.	Qty.			No.	Qty.
67-3000	Washer	47	10 2	67-3690	Plate - Shim 2.5	53	* 1
67-3010	Cam Shaft	47	7 1	67-3700	Tappet Assembly	53	15 3
67-3030	Bearing	47	9 2	67-3710	Screw - Air Bleed	53	24 1
67-3050	Bearing	47	22 1	67-3720	Washer	53	23 1
67-3060	Shaft	47	21 1	67-3730	Screw	53	22 1
67-3080	Ring - Retaining	47	23 1	67-3740	Nipple	53	21 1
67-3100	Retainer	48	32 6	67-3750	Washer	53	20 2
67-3110	Spring	48	31 6	67-3760	Plate - Lock	53	2 3
67-3120	Tappet	48	6 6	67-3770	Screw w/Washer	53	1 3
67-3130	Valve - Intake	48	28 3	67-3780	Rack Assembly	53	19 1
67-3140	Valve - Exhaust	48	29 3	67-3790	Screw	53	17 2
67-3150	Rod - Push	48	5 6	67-3800	Bracket	53	18 1
67-3160	Arm - Rocker	48	1 6	67-3810	Pin	53	16 3
67-3170	Spring	48	40 2	67-3830	Washer 1.25	54	31 1
67-3180	Cap	48	34 6	67-3840	Washer 1.3	54	* 1
67-3190	Rocker Shaft Assembly	48	38 1	67-3850	Washer 1.35	54	* 1
67-3200	Stay - Rocker	48	35 3	67-3860	Washer 1.4	54	* 1
67-3210	Screw - Adjusting	48	4 6	67-3870	Washer 1.45	54	* 1
67-3220	Pin	48	37 1	67-3880	Washer 1.5	54	* 1
67-3230	Nut - Jam	48	2 6	67-3890	Washer 1.55	54	* 1
67-3240	Ring - Retaining	48	3 2	67-3900	Washer 1.6	54	* 1
67-3250	Bolt - Rockers Stay	48	43 2	67-3910	Washer 1.65	54	* 1
67-3260	Washer	55	8 2	67-3920	Washer 1.7	54	* 1
67-3260	Washer	48	41 6	67-3930	Spring	53	30 3
67-3260	Washer - Lock	57	13 1	67-3940	Pin	53	29 3
67-3270	Pump Assembly	52	41 1	67-3950	Piece	53	28 3
67-3280	Shim 0.2	52	38 1	67-3960	Nozzle Assembly	53	27 3
67-3290	Shim 0.3	52	* 1	67-3970	Nut	53	25 3
67-3300	Shim 0.5	52	* 1	67-3980	Gasket	53	26 3
67-3310	Shim 0.4	52	* 1	67-3990	Lever Assembly	55	1 1
67-3320	Shim 0.6	52	* 1	67-4000	Pin	55	2 2
67-3330	Shim 0.7	52	* 1	67-4010	Stopper	55	15 1
67-3340	Shim 0.8	52	* 1	67-4030	Rod - Tie	55	23 1
67-3350	Shim 0.9	52	* 1	67-4040	Weight Assembly	55	13 1
67-3360	Shim 1.0	52	* 1	67-4050	Shaft	55	19 1
67-3370	Bolt w/Washer	52	39 4	67-4060	Governor Lever Assembly	55	18 1
67-3380	Nozzle & Holder Assembly	54	* 3	67-4070	Sliding Shaft Assembly	55	16 1
67-3380	Nozzle & Holder Assembly	52	6 1	67-4080	Clip	55	24 1
67-3390	Gasket	52	7 3	67-4090	Tension Lever Assembly	55	21 1
67-3400	Pipe No. 1 Assembly	52	42 1	67-4110	Cover Assembly	55	* 1
67-3410	Pipe No. 2 Assembly	52	43 1	67-4120	Pin	55	35 1
67-3420	Assy. - Pipe No. 3	52	1 1	67-4130	Cover - Governor	55	4 1
67-3430	Nut	52	2 3	67-4140	Stop Lever Assembly	55	11 1
67-3440	Gasket	52	4 3	67-4150	Lever - Stop	55	40 1
67-3450	Pipe - Fuel Return	52	3 1	67-4160	Gasket	55	5 1
67-3460	Sub-Assy. - Housing	53	9 1	67-4180	Nut	55	31 1
67-3470	Holder - Delivery Valve	53	3 3	67-4190	Spring - Torque	55	28 1
67-3480	O-Ring	53	4 3	67-4200	Nut - Special	55	30 1
67-3490	Spring	53	5 3	67-4210	Case - Torque Spring	55	26 1
67-3500	Sub-Assy. - Valve	53	7 3	67-4220	Screw - Adjusting	55	29 1
67-3510	Sub-Assy. - Element	53	8 3	67-4230	Stopper	55	27 1
67-3520	Sub-Assy. - Sleeve	53	10 3	67-4240	Cap	55	32 1
67-3530	Seat	53	11 3	67-4250	Cover Assembly	48	24 1
67-3540	Spring	53	12 3	67-4260	Spring	55	25 1
67-3550	Seat	53	13 3	67-4270	Bolt	55	3 4
67-3560	Plate - Shim 1.85	53	14 1	67-4280	Bolt w/Washer	55	17 1
67-3570	Plate - Shim 1.9	53	* 1	67-4290	Nut	55	34 4
67-3580	Plate - Shim 1.95	53	* 1	67-4300	Ring - Retaining	55	22 1
67-3590	Plate - Shim 2.0	53	* 1	67-4310	Gasket	48	23 1
67-3600	Plate - Shim 2.05	53	* 1	67-4330	Oil Filter Assembly	52	40 1
67-3610	Plate - Shim 2.1	53	* 1	67-4340	Screen Assembly	52	31 1
67-3620	Plate - Shim 2.15	53	* 1	67-4350	Oil Pressure Switch	51	8 1
67-3630	Plate - Shim 2.2	53	* 1	67-4360	Pulley	51	1 1
67-3640	Plate - Shim 2.25	53	* 1	67-4380	Pump Assembly	51	6 1
67-3650	Plate - Shim 2.3	53	*14 1	67-4390	Gasket	51	7 1
67-3660	Plate - Shim 2.35	53	* 1	67-4400	Bolt	49	1 2
67-3670	Plate - Shim 2.4	53	* 1	67-4400	Bolt	51	4 1
67-3680	Plate - Shim 2.45	53	* 1	67-4410	V-Belt	51	2 1

\*Not Illustrated

# TORO PART NUMBER INDEX (Cont.)

Part No.	Description	Pg. Ref. No. No. Qty.	Part No.	Description	Pg. Ref. No. No. Qty.
67-4460	Gasket (Thermostat Fitting)	49 31 1	76-9100	Spacer - Hi-Lo Lever	15 35 1
67-4470	Bolt	49 33 1	80-6990	Washer	23 38 4
67-4480	Pipe - By-Pass	49 37 1	80-6990	Washer - Flat	31 49 3
67-4510	Gauge Nut - Water Temp.	49 35 1	80-8040	Decal - Caution	28 1 1
67-4520	Pipe	49 2 1	83-9150	Decal - Starting Fluid	26 33 1
67-4530	Sub-Assy. Cover (Intake)	49 5 1	84-1680	Ring - Retaining	44 7 1
67-4540	O-Ring	49 3 1	84-1880	Fan	26 29 1
67-4550	Gasket - Intake Manifold	49 44 1	87-0150	Tower - Control Arm RH	18 9 1
67-4570	Gasket - Exhaust Manifold	49 26 1	87-0160	Tower - Control Arm LH	18 * 1
67-4590	Bolt	49 23 6	87-0170	Arm - Control Upper RH	19 21 1
67-4600	Starter Assembly	56 1 1	87-0180	Arm - Control Upper LH	19 * 1
67-4620	Spacer	57 24 1	87-0210	Arm - Control Lower RH	19 18 1
67-4630	Alternator Assembly	57 * 1	87-0220	Arm - Control Lower LH	19 * 1
67-4640	Bolt	57 22 1	87-0270	Drum - Brake	20 7 2
67-4660	Bolt - Flange	57 2 1	87-0370	Arm - Pitman	5 21 1
67-4670	Nut	57 12 1	87-0650	Fuel Tank Assembly	40 2 1
67-4690	Plate - Glow Plug	49 40 1	87-0660	Hose - Reservoir Rear	8 17 1
67-4710	Front Bracket Assembly	56 3 1	87-0670	Hose - Reservoir Front	8 16 1
67-4720	Lever Assembly	56 4 1	87-0690	Spring - Compression	18 15 2
67-4730	Spring Set	56 5 1	87-0710	Hood	1 1 1
67-4740	Center Bracket Assembly	56 6 1	87-0740	Key - Supervisor Switch	2 17 1
67-4750	Switch Assembly	56 7 1	87-1430	Joint - Ball	19 16 4
67-4760	Shaft Assembly	56 15 1	87-1450	Bushing - Rubber	19 1 8
67-4770	Pinion Set	56 14 1	87-1470	Rod End Assy. - LH Thread	20 19 2
67-4780	Gear Set	56 12 1	87-1480	Rod End Assy. - RH Thread	20 24 2
67-4790	Shaft Assembly	56 11 1	87-1490	Spring - Leaf	22 15 2
67-4800	Yoke Assembly	56 20 1	87-1500	Steering Gear (Complete)	7 * 1
67-4810	Pulley Set	57 23 1	87-1500	Steering Gear Assembly	5 20 1
67-4820	Bolt Set	57 5 1	87-1720	Nut - Supervisor Switch	2 18 1
67-4830	Front Bracket Assembly	57 9 1	87-1820	Housing - Bell	12 10 1
67-4840	Screw - Set	57 7 1	87-1840	Drum - Brake	23 15 2
67-4850	Bearing - Front	57 8 1	87-1910	Pin - Alignment	12 13 2
67-4860	Rotor Assembly	57 10 1	87-1920	Seal - Shaft	12 8 2
67-4870	Bearing - Rear	57 11 1	87-1940	Frame - Engine	29 1 1
67-4880	Stator Assembly	57 21 1	87-1970	Bearing Matched Set	23 20 2
67-4890	Rear Bracket Assembly	57 15 1	87-2000	Screen - Radiator	26 8 1
67-4900	Terminal Set	57 20 1	87-2040	Lever - Shift	15 16 1
67-4910	Regulator Assembly	57 17 1	87-2090	Engine	30 55 1
67-4920	Brush	57 19 2	87-2100	Bearing - Release	12 26 1
67-4930	Rectifier Assembly	57 16 1	87-2110	Tail Light Assembly	46 10 1
67-5040	Spring	55 20 1	87-2120	Headlight Assembly	1 3 2
67-5050	Thermostat	30 42 1	87-2240	Housing - Axle	23 7 2
68-9950	Spring - Extension	31 44 1	87-2260	Boot - Shift Lower	15 28 1
70-8560	Retainer - Indicator	39 31 1	87-2280	Bearing	5 25 3
70-8680	Pulley - Crankshaft	48 19 1	87-2310	Clevis - Cable	31 36 3
70-8750	Manifold - Exhaust	49 24 1	87-2410	Rod - Tie	20 17 2
71-3381	Tube - Overflow	26 1 1	87-2420	Boot	19 19 4
71-3383	Hose - Overflow	26 4 1	87-2440	Bumper	1 7 2
71-5320	Washer - Flat	16 18 1	87-2480	Link - Stabilizer	18 24 2
72-4310	Switch - Ball N.C.	31 46 1	87-2500	Sleeve - Spring Pivot	18 12 2
74-0720	Tube - Manual	14 1 1	87-2510	Bracket - Seat Frame	14 11 2
75-4706	Hose	30 14 1	87-2520	Tube - Pivot	15 21 1
75-4706	Hose - Fuel	40 11 1	87-2540	Pedal - Brake	8 4 1
75-4900	Bearing Set STD	47 3 1	87-2590	Shaft - Brake Pedal	8 48 1
75-4910	Oil Pan Assembly	50 14 1	87-2610	Pedal - Clutch	12 37 1
75-4920	Case Sub-Assembly	50 1 1	87-2640	Support - Master Cylinder	8 19 1
75-4930	Lever - Governor Spring	55 7 1	87-2650	Gusset	8 21 1
75-4940	Brace - Generator	57 6 1	87-2660	Support - Pedal LH	8 18 1
75-5000	Body Sub-Assy.	54 32 3	87-2670	Pedal - Accelerator	8 36 1
75-5010	Bearing Set STD	48 8 3	87-2710	Lever - Parking Brake	16 29 1
75-5040	Gasket Kit	50 * 1	87-2720	Driveshaft	28 10 1
75-5120	Gasket	48 45 1	87-2750	Spacer - Bearing	28 12 1
75-6820	Hourmeter	2 16 1	87-2780	Hose - Brake Front	10 5 2
75-9610	Spacer	42 7 1	87-2780	Hose - Brake Front	19 8 2
76-2290	Spacer	16 37 1	87-2790	Tube - Brake LH	19 * 1
76-4430	Fitting - Fuel 90°	40 9 1	87-2800	Tube - Brake RH	19 20 1
76-8750	Plate - Warning	26 16 1	87-2810	Tube - Brake	10 10 1
76-9100	Spacer	29 17 6	87-2820	Bracket - Hose	20 15 2

\*Not Illustrated

# TORO PART NUMBER INDEX (Cont.)

Part No.	Description	Pg. Ref.		Part No.	Description	Pg. Ref.	
		No.	Qty.			No.	Qty.
87-2830	Tube - Brake	10	1	87-3780	Box - Glove	2	3
87-2840	Tube - Brake	10	7	87-3790	Switch - Light	2	19
87-2850	Tube - Brake	10	13	87-3800	Bracket - Seat Bottom	13	3
87-2860	Tube - Brake	10	15	87-3820	Wheel - Steering	5	7
87-2870	Bracket - Brake Hose	19	4	87-3830	Brake Assembly RH	23	*
87-2880	Shaft - Accelerator Pedal	8	45	87-3830	Rear Brake Assembly - RH	25	*
87-2890	Cradle - Reservoir	8	14	87-3840	Brake Assembly LH	23	9
87-2900	Spring - Compression	15	24	87-3840	Rear Brake Assembly - LH	25	*
87-2910	Support - Pedal RH	8	3	87-3850	Bar - Anti-Sway	18	17
87-3000	Rim - Rear 23	23	*	87-3860	Link - Anti-Sway Bar	18	5
87-3010	Brake Assembly - RH	20	10	87-3890	Bracket - Anti-Sway Bar	18	18
87-3010	Front Brake Assembly - RH	21	*	87-3910	Bushing - Anti-Sway Bar	18	19
87-3020	Brake Assembly - LH	20	*	87-3920	Bushing - Rubber	18	4
87-3020	Front Brake Assembly - LH	21	*	87-3920	Bushing - Rubber	22	7
87-3030	Master Cylinder Assembly	8	35	87-3940	Mount - Spring RH	22	*
87-3040	Brake Fluid Reservoir Assy.	8	11	87-3960	Mount - Spring LH	22	18
87-3060	Washer - Flat	23	25	87-3980	Shackle - Spring	22	11
87-3070	Cable - Battery Positive	30	34	87-3990	Oil Strainer Assembly	31	26
87-3080	Cable - Battery Neg.	38	23	87-4010	Clamp - Anti-Sway Bar	18	20
87-3080	Cable - Battery Negative	31	28	87-4030	Supervisor Switch Assy.	2	29
87-3100	Lower Shaft Assembly	5	*	87-4050	Hose - Air Cleaner	40	19
87-3110	Absorber - Shock	18	29	87-4050	Hose - Air Intake	30	11
87-3110	Shock Absorber	22	8	87-4060	Spacer - Bearing	23	21
87-3120	Steering Column & Shaft	5	*	87-4070	Bumper - Front	1	14
87-3130	Lever - Tilt Steering	5	36	87-4080	Tube - Brake LH	23	6
87-3140	Support - Rear	40	15	87-4090	Tube - Brake RH	23	1
87-3150	Support - Front	40	27	87-4100	Hose - Brake	23	3
87-3160	Strap - Tank Support	40	29	87-4100	Hose - Brake	22	5
87-3170	Pad - Tank Support Strap	40	30	87-4110	Puck - Engine Adapter	30	41
87-3210	Belt - V	28	14	87-4120	Driveshaft	28	5
87-3250	Mount - Bearing	5	26	87-4140	Warning Light Assembly	2	9
87-3260	Tube - Brake	10	12	87-4150	Hose - Radiator Lower	26	32
87-3270	Tube - Brake RH	22	3	87-4150	Hose - Radiator Lower	30	35
87-3280	Tube - Brake LH	22	22	87-4230	Harness - Wire Front LH	2	41
87-3290	Tire - Rear 23	23	*	87-4250	Harness - Wire	30	15
87-3300	Tire	20	5	87-4250	Harness - Wire	39	33
87-3310	Clip - Brake Cable	23	8	87-4250	Harness - Wire Rear	38	22
87-3310	Clip - Brake Cable	20	25	87-4250	Harness - Wire Rear	2	34
87-3320	Cover - Wire Harness	2	49	87-4260	Cable Assembly	15	15
87-3370	Pulley	28	13	87-4260	Shift Cable Assembly	32	51
87-3410	Housing - Thermostat	30	44	87-4340	Clamp - Cable	15	10
87-3450	Plug	20	12	87-4350	Lever - Hi-Lo	15	2
87-3460	Boot - Tilt Steering	5	2	87-4420	Hi-Lo Cable Assembly	15	6
87-3470	Bumper - Spring	22	14	87-4420	Hi-Lo Cable Assembly	32	52
87-3480	Plate - Brake Equalizer	16	22	87-4460	Differential Lock Cable	16	11
87-3520	Clevis	15	27	87-4470	Bracket	31	23
87-3530	Button - Shifter	15	29	87-4490	Bracket - Hold-Down	42	22
87-3540	Link - Shift	15	20	87-4500	Rod - Pivot	42	2
87-3560	Tee - Brake Line	10	9	87-4510	Rod - Connecting	42	3
87-3560	Tee - Brake Tube	22	23	87-4520	Bracket - Dump Valve	43	27
87-3570	Fitting - Union	10	11	87-4540	Hydraulic Tube Assembly	42	20
87-3580	Retainer	22	4	87-4560	Tube - Hydraulic	42	14
87-3580	Retainer	20	14	87-4560	Tube - Hydraulic	43	33
87-3580	Retainer - Brake Hose	23	2	87-4690	Cover - Clutch	30	21
87-3580	Retainer - Brake Hose	19	3	87-4700	Disc - Clutch	30	19
87-3580	Retainer - Brake Hose	10	6	87-4710	Spacer - Parking Brake	16	13
87-3590	Seal - Bearing	23	22	87-4720	Plate - Steering Boot	5	3
87-3590	Seal - Bearing	20	26	87-4730	Guard - Belly	29	19
87-3600	Spacer	18	3	87-4760	Bushing	22	12
87-3610	Bracket - Detent	5	34	87-4790	Arm - Accelerator Pedal	8	38
87-3650	Pin - Shift	15	18	87-4820	Bracket - Cable	31	27
87-3660	Spring - Compression	15	30	87-4870	Hose - Hydraulic	43	4
87-3680	Relief Valve Assembly	42	*	87-4880	Hose - Hydraulic	43	3
87-3710	Overflow Reservoir Assy.	26	3	87-4900	Hose - Hydraulic	43	31
87-3720	Retainer - Cylinder	43	17	87-4910	Hose - Hydraulic	43	13
87-3750	Cover - Steering Wheel	5	9	87-4920	Hose - Hydraulic	31	41
87-3760	Plate - Shift Boot	13	14	87-4960	Clamp - Cable	15	42
87-3770	Bushing - Sleeve	12	9	87-4970	Engine Mount Assembly	29	13

\*Not Illustrated

# TORO PART NUMBER INDEX (Cont.)

Part No.	Description	Pg. Ref.			Part No.	Description	Pg. Ref.		
		No.	No.	Qty.			No.	No.	Qty.
87-4970	Transaxle Mount Assembly	31	18	2	87-6740	Tire - Rear 24	23	16	2
87-5000	Mount - Engine	29	5	1	87-6750	Rim - Rear 24	23	19	
87-5000	Mount - Engine	30	40	1	87-6870	Bracket - Front	46	15	2
87-5030	Lever - Differential Lock	16	3	1	87-6890	Hold - Hand	13	1	1
87-5060	Cushion - Seat Bottom	13	7	2	87-6900	Tube - Hydraulic	29	10	1
87-5080	Spacer - Connecting	42	25	1	87-6910	Spring - Compression	31	13	1
87-5100	Washer	31	17	4	87-6950	Receiver - LH	17	6	1
87-5100	Washer - Flat	29	12	4	87-6960	Receiver - RH	17	7	1
87-5110	Support - Lower	38	17	1	87-7040	Bracket - Oil Filter	31	2	1
87-5120	Bracket - Battery Base	38	13	1	87-7050	Cap - Overflow Tank	26	43	1
87-5130	Cover - Battery Base	38	9	1	87-7070	Skirt Assembly	13	2	1
87-5140	Nut - Lock	42	8	1	87-7090	R.O.P.S. Frame Assembly	17	1	1
87-5150	Screw - Cap Hex. Hd.	42	4	1	87-7110	Rear Axle Assembly	23	5	1
87-5280	Shaft - Release	12	4	1	87-7120	Fan Shroud Assembly	26	17	1
87-5300	Fork - Clutch	12	23	1	87-7150	Spring Cradle Assembly	18	13	2
87-5320	Guide - Release	12	25	1	87-7160	Cable Clevis Assembly	15	7	3
87-5330	Washer	18	2	12	87-7170	Bracket - Clutch Spring	31	45	1
87-5340	Seal Kit - Tie Rod End	20	*	4	87-7270	Washer - Flat	23	23	6
87-5350	Bracket - Switch	12	14	1	87-7290	Fitting - Hydraulic	29	9	1
87-5360	Lever	12	17	1	87-7320	Pulley	26	26	1
87-5370	Rear Tire & Wheel Assembly	24	*	2	87-7330	Hose - Radiator Upper	26	7	1
87-5490	Switch - Neutral	12	15	1	87-7330	Hose - Radiator Upper	30	45	1
87-5560	Hub - Wheel	20	8	2	87-7350	Hose - Hydraulic	43	21	1
87-5570	Radiator Assembly	26	39	1	87-7350	Hose - Suction	29	6	1
87-5580	Fuel Gauge Assembly	2	15	1	87-7380	Bracket - Relay/Indicator	39	7	1
87-5590	Temperature Gauge Assy.	2	8	1	87-7440	Plate - Throttle	30	8	1
87-5700	Hydraulic Pump Assembly	26	22	1	87-7470	Plate - Clamp	22	16	2
87-5720	Rim	20	6	2	87-7480	Washer - Flat	22	34	8
87-5730	Hose - Hydraulic	31	4	1	87-7570	Retainer - Reservoir	8	12	1
87-5750	Plate - Tail Light LH	46	12	1	87-7600	Rod - Battery Support	38	19	1
87-5770	U-Bracket - Tail Light	46	5	1	87-7610	Tab - Battery Support	38	21	1
87-5800	Bracket - Mount	31	21	2	87-7620	Shield - Plastic	38	12	1
87-5870	Bracket - Cable	30	4	1	87-7660	Clamp - Brake Line	10	2	8
87-5910	Decal - Supervisor	3	55	1	87-7930	Decal - Danger	14	6	1
87-5920	Decal - Danger	13	26	1	87-7930	Decal - Warning	43	32	2
87-5930	Decal - Caution	13	10	1	87-7930	Decal - Warning	44	13	1
87-5940	Decal - Rollover	17	2	1	87-7940	Stud	14	8	1
87-5960	Decal - Axle Range	13	11	1	87-7950	Bed Support Assembly	14	7	1
87-5970	Decal - PTO	13	16	1	87-7960	Lever - Shift	31	48	2
87-5980	Decal - ROPS	17	3	2	87-7970	Arm - Shift	31	15	1
87-5990	Decal - PTO	23	39	1	87-7990	Hydraulic Cylinder Assy.	43	16	2
87-6000	Decal - Differential Lock	13	17	1	87-8080	Console Plate Assembly	13	21	1
87-6010	Decal - Dump Hydraulics	13	19	1	87-8110	Lever Support Assembly	15	14	1
87-6020	Decal - Parking Brake	13	20	1	87-8120	Bracket - Trim Side	1	11	2
87-6040	Bracket - Shifter	15	22	1	87-8130	Bracket - Trim Top	1	19	1
87-6060	Decal - ATF	23	4	1	87-8160	Trim	1	20	1
87-6070	Decal - Workman 3300D	1	15	1	87-8230	Support - Fan	26	20	1
87-6170	Frame - Seat	14	14	1	87-8240	Cable - Parking Brake	16	24	2
87-6240	Bracket - Seat Back	14	23	4	87-8250	Plate - Shift Arm	31	10	1
87-6250	Plate - Tail Light RH	46	*	1	87-8440	Rear Frame Assembly	22	2	1
87-6270	Socket & Bulb Assembly	3	60	4	87-8460	Bumper	12	34	1
87-6280	Plate - Seat Back	14	18	2	87-8471	Bracket - Clutch	12	7	1
87-6290	Cushion - Seat Back	14	17	2	87-8500	Front Wire Harness Assy.	2	47	1
87-6300	Lens	46	7	1	87-8530	Decal - Dash	3	56	1
87-6310	Gasket	46	9	1	87-8550	Control Panel Assembly	2	53	1
87-6320	Bulb - Headlight	1	5	2	87-8590	Clutch Cable Assembly	12	1	1
87-6330	Lens - Headlight	1	6	2	87-8610	Cable - Accelerator	30	6	1
87-6370	Rear Tire & Wheel Assembly	24	*	2	87-8610	Cable - Accelerator	8	40	1
87-6410	Bracket - Harness	12	18	2	87-8620	Boot - Shift	13	13	1
87-6570	Foam - Seal	15	38	1	87-8640	Washer - Flat	15	26	1
87-6620	Screw	1	10	15	87-8700	Screw - Cap Hex. Hd.	23	36	4
87-6620	Screw - Torx Pan Hd.	12	42	2	87-8710	Tab - Clutch	12	40	1
87-6640	Lever - Dump Stop	16	14	1	87-8730	Stud - Drive	20	9	10
87-6660	Fender - Rear 24	46	17	2	87-8730	Stud - Drive	23	12	10
87-6670	Decal - Fuse Block	3	54	1	87-8740	Stub - Axle	23	14	2
87-6710	Switch - Supervisor	31	33	1	87-8750	Driveshaft Assembly	24	*	2
87-6720	Knob	15	17	1	87-8780	Head - Oil Filter	31	43	1
87-6730	Muffler	30	31	1					

\*Not Illustrated

# TORO PART NUMBER INDEX (Cont.)

Part No.	Description	Pg. No.	Ref. No.	Qty.	Part No.	Description	Pg. No.	Ref. No.	Qty.
87-9070	Decal - Quick Reference	13	23	1	92-0724	Arm - Differential Lock	37	27	1
87-9080	Decal - Grease	24	43	2	92-0725	Shaft - Axle L.H.	37	28	1
87-9250	Transaxle Assembly	31	22	1	92-0726	Shaft - Axle R.H.	37	1	1
87-9300	Door - Cleanout	26	35	1	92-0727	Washer	37	4	2
87-9310	Hose - Air Cleaner	40	21	1	92-0728	Washer	37	2	1
87-9320	Mudflap	1	26	2	92-0729	Seal - Oil	36	10	3
87-9330	Bracket - Mudflap LH	1	23	1	92-0730	Slider - Differential Lock	37	7	1
87-9340	Bracket - Mudflap RH	1	*	1	92-0731	Spring - Compression	36	2	3
87-9350	Hydraulic Tube Assembly	42	16	1	92-0732	Plate - Keeper	36	8	3
87-9390	Cup	41	10	1	92-0733	Washer	37	20	1
87-9400	Valve	41	12	1	92-0740	Washer - Thrust	35	3	3
87-9410	Air Cleaner (Complete)	41	*	1	92-0741	Washer - Thrust	34	10	1
87-9410	Air Cleaner Assembly	40	23	1	92-0743	Breather - Air	33	27	1
87-9420	Decal - Caution	26	36	1	92-0744	Washer	37	14	1
87-9430	Spindle - RH	20	13	1	92-0745	Gear - Side L.H.	37	24	1
87-9440	Spindle - LH	20	*	1	92-0746	Gear - Side R.H.	37	11	1
87-9480	Fender - Front	13	24	2	92-0747	Washer - Thrust	37	10	2
87-9500	Decal - Load Rating	1	16	1	92-0748	Gear - Pinion	37	12	2
87-9520	Operators Platform Assy.	1	17	1	92-0749	Shaft - Pinion	37	23	1
87-9810	Foam - Overflow Tank	26	37	1	92-0750	Washer	37	13	2
92-0650	Bearing - Ball	35	22	1	92-0753	Ring - Retaining	35	2	1
92-0651	Case - Transaxle	33	19	1	92-0753	Ring - Retaining	37	21	1
92-0652	Cover - Upper	33	7	1	92-0754	Ring - Retaining	35	20	1
92-0653	Cover - Side	33	9	1	92-0755	Ring - Retaining	34	11	1
92-0654	Carrier - Differential	33	17	1	92-0756	Ring - Retaining	37	5	3
92-0655	Cover - Seal	33	30	1	92-0759	Ring - Retaining	33	22	1
92-0656	Cover - P.T.O.	33	1	1	92-0760	Ring - Retaining	33	15	1
92-0657	Plate - Center	33	21	1	92-0761	Ring - Retaining	36	18	1
92-0662	Cap - Oil	33	5	1	92-0762	Washer - Lock	33	3	1
92-0663	Shaft - Main	35	16	1	92-0763	Ring - Retaining	35	14	3
92-0664	Hub - Synchro	35	12	2	92-0764	Ring - Retaining	34	3	3
92-0665	Key - Synchro	35	23	6	92-0765	Pin - Alignment	33	8	4
92-0666	Spring - Synchro	35	13	4	92-0765	Pin - Alignment	37	9	2
92-0667	Ring - Synchro	35	6	3	92-0768	Pin - Spring	37	15	2
92-0668	Shifter - Synchro	35	7	2	92-0769	Pin - Spring	36	4	2
92-0672	Gear - 18T	35	19	1	92-0770	Pin - Spring	37	26	1
92-0673	Gear - 14T	35	21	1	92-0771	Pin - Spring	37	16	1
92-0674	Shaft - Reduction	35	28	1	92-0772	Key	35	17	2
92-0677	Gear - 49T	35	31	1	92-0773	Drain Plug Assembly	33	13	1
92-0679	Gear - 23T	35	25	1	92-0775	Bearing - Ball	37	6	2
92-0680	Collar	35	26	1	92-0775	Bearing - Ball	33	33	2
92-0681	Bearing - Needle	35	30	2	92-0776	Bearing - Ball	37	29	1
92-0682	Washer - Thrust	35	29	1	92-0778	Bearing - Ball	35	11	2
92-0684	Gear - 33T	35	10	1	92-0780	Bearing - Ball	37	3	1
92-0687	Gear - 16T	35	18	1	92-0781	Bearing - Needle	35	4	4
92-0698	Shaft - Fork R-1	36	14	1	92-0782	Bearing - Needle	35	33	1
92-0699	Shaft - Fork 2-3	36	7	1	92-0783	Sleeve - Inner	34	5	1
92-0700	Fork - Shift R-1	36	3	1	92-0785	Ball	36	1	3
92-0701	Fork - Shift 2-3	36	6	1	92-0787	O-Ring	37	22	1
92-0705	Lock - Spindle	36	20	1	92-0788	O-Ring	33	6	1
92-0706	Cap - Fork Shaft	33	25	1	92-0789	O-Ring	33	14	1
92-0708	Shaft - Fork Hi-Lo	36	16	1	92-0790	O-Ring	33	29	1
92-0709	Fork - Shift Hi-Lo	36	17	1	92-0791	Seal - Oil	33	26	1
92-0710	Counter Shaft Assembly	34	14	1	92-0793	Seal - Oil	33	16	2
92-0710	Ring Gear Assembly	37	8	1	92-0793	Seal - Oil	37	32	2
92-0711	Washer - Thrust	34	4	2	92-0796	Screw - Cap Hex. Hd.	33	31	5
92-0712	Bearing - Ball	34	1	1	92-0803	Screw - Hex. Flange Hd.	37	30	12
92-0713	Collar	34	12	1	92-0804	Stud	33	28	1
92-0714	Bearing - Ball	34	13	2	92-0807	Cap - Sealing	33	23	1
92-0715	Gear - 49T	34	6	1	92-0808	Shim Set	33	20	1
92-0716	Collar	34	2	1	92-0809	Shim Set	33	11	1
92-0717	Gear - 71T	34	9	1	92-0816	Arm - Shift Fork R-1	36	15	1
92-0718	Shifter - Hi-Lo	34	7	1	92-0817	Arm - Shift Fork 2-3	36	5	1
92-0719	Collar - Spline	34	8	1	92-0818	Arm - Shift Fork Hi-Lo	36	19	1
92-0720	Case - Differential	37	31	1	92-0819	Gear - 40T	35	32	1
92-0721	Fork - Differential Lock	37	17	1	92-0820	Gear - 27T	35	5	1
92-0722	Shaft - Lock Fork	37	18	1	92-0821	Gear - 24T	35	15	1
92-0723	Spring - Compression	37	19	1	92-0822	Gear - 28T	35	24	1

\*Not Illustrated

# TORO PART NUMBER INDEX (Cont.)

Part No.	Description	Pg. Ref. No. No. Qty.	Part No.	Description	Pg. Ref. No. No. Qty.
92-0823	Gear - 43T	35 27 1	92-4108	Washer - Retainer	9 10 1
92-0824	Shaft - Reverse Idler	35 9 1	92-4109	Circlip	9 9 1
92-0826	Cylinder Head Assembly	49 28 1	92-4110	Clevis	9 5 1
92-0827	Gear	47 12 1	92-4111	Petcock - Radiator	26 38 1
92-0828	Block Sub-Assembly	47 1 1	92-4112	Cap Assembly	8 5 1
92-0829	Shaft - Idler	52 34 1	92-4113	Screw - Bleed	21 4 1
92-0830	Plate - Rear	52 47 1	92-4114	Cap - Bleed Screw	21 5 1
92-0831	Pin - Knock	52 48 1	92-4114	Cap - Bleed Screw	25 5 1
92-0832	Piston & Pin Set STD	48 10 3	92-4115	Backplate Assembly LH	21 2 1
92-0833	Piston & Pin Set 0.25 OS	48 3	92-4116	Backplate Assembly RH	21 * 1
92-0834	Piston & Pin Set 0.50 OS	48 3	92-4117	Wheel Cylinder Assy. - LH	21 * 1
92-0835	Gear	48 7 1	92-4118	Wheel Cylinder Assy. - RH	21 * 1
92-0836	Flywheel Assembly	48 13 1	92-4119	Kit - Seal	21 * 1
92-0837	Fitting - Thermostat	49 32 1	92-4120	Shoe & Lining Set	21 13 1
92-0838	Spring Set	55 * 1	92-4121	Adjuster Assembly - LH	21 * 1
92-0839	Plate	47 14 1	92-4122	Adjuster Assembly - RH	21 * 1
92-0840	Gear	47 17 1	92-4123	Pawl Assembly - LH	21 19 1
92-0841	Ring - Retaining	47 15 1	92-4123	Pawl Assembly - LH	25 19 1
92-0842	Gear Assembly	47 13 1	92-4124	Pawl Assembly - RH	21 * 1
92-0843	Bolt w/Washer	56 2 2	92-4124	Pawl Assembly - RH	25 * 1
92-0844	Plug - Glow	49 39 3	92-4125	Plug	21 3 1
92-0845	Crankshaft	48 16 1	92-4126	Spring - Shoe, Upper LH	21 14 1
92-0846	Cover Assembly	49 6 1	92-4127	Spring - Shoe, Upper RH	21 * 1
92-0847	Assy. - Cap (Oil Filler)	49 11 1	92-4128	Spring - Shoe, Lower	21 15 1
92-1914	Bearing - Ball	48 27 1	92-4129	Spring - Adjuster, LH	21 20 1
92-2160	Cartridge - Relief Valve	42 12 1	92-4130	Spring - Adjuster, RH	21 * 1
92-2161	Body - Relief Valve	42 28 1	92-4131	Washer - Hold Down	21 22 2
92-2162	Head	44 6 1	92-4131	Washer - Hold Down	25 22 2
92-2163	Shaft	44 2 1	92-4132	Spring - Hold Down	21 23 2
92-2165	Kit - Repair	44 * 1	92-4133	Pin - Hold Down	21 26 2
92-2173	Screw - Cap Socket Head	27 18 8	92-4133	Pin - Hold Down	25 26 2
92-2174	Screw - Adjusting	27 22 1	92-4134	Plug - Inspection	21 25 1
92-2175	Gear	27 11 2	92-4134	Plug - Inspection	25 25 1
92-2176	Pin - Dowel	27 16 2	92-4135	Set Bolt	21 1 2
92-2177	Pin - Shear	27 7 1	92-4135	Set Bolt	25 1 2
92-2178	Ring - Crescent	27 4 4	92-4137	Screw - Bleed	25 4 1
92-2179	Key - Square	27 5 1	92-4138	Backplate Assembly LH	25 2 1
92-2180	Gasket - Copper	27 23 1	92-4139	Backplate Assembly RH	25 * 1
92-2181	Plate - Pressure	27 13 1	92-4140	Wheel Cylinder Assy. - LH	25 * 1
92-2182	Plate - Seal	27 9 1	92-4141	Wheel Cylinder Assy. - RH	25 * 1
92-2183	Plate - Wear	27 10 1	92-4142	Seal Kit	25 * 1
92-2184	Cap - Relief Valve	27 24 1	92-4143	Shoe & Lining Set	25 13 1
92-2185	Plug	27 19 1	92-4144	Adjuster Assembly - LH	25 * 1
92-2186	Spacer	27 3 1	92-4145	Adjuster Assembly - RH	25 * 1
92-2187	Housing - Gear, End	27 17 1	92-4146	Plug	25 3 1
92-2188	Stator	27 8 1	92-4147	Spring - Shoe, Upper LH	25 14 1
92-2189	Shaft - Drive	27 6 1	92-4148	Spring - Shoe, Upper RH	25 * 1
92-2190	Shaft - Idler	27 25 1	92-4149	Spring - Shoe, Lower	25 15 1
92-2191	Bearing	27 27 1	92-4150	Spring - Adjuster, LH	25 20 1
92-2192	Bearing	27 12 4	92-4151	Spring - Adjuster, RH	25 * 1
92-2193	Ball	27 20 1	92-4152	Spring - Hold Down	25 23 2
92-2194	Spring	27 21 1	92-4153	Steering Column Assembly	5 11 1
92-2195	Seal - Oil	27 2 1	92-4154	Universal Joint Assembly	5 31 1
92-2196	Seal - Pressure Plate	27 15 1	92-4155	Upper Slip Joint Assembly	5 28 1
92-2197	Seal - Back Up	27 14 1	92-4156	Lower Slip Joint Assembly	5 29 1
92-2198	Seal	27 26 1	92-4157	Boot - Steering Shaft	5 24 1
92-2199	Key - Ball	27 28 1	92-4158	Valve Assy. - Hyd. Gear	7 * 1
92-2379	Clamp - Hose	26 2 3	92-4159	Nut - Adjuster Plug Lock	6 25 1
92-2379	Clamp - Hose	39 22 1	92-4160	Bearing Service Kit - Upper	7 * 1
92-2379	Clamp - Hose	40 32 1	92-4161	Service Cover Assembly	6 * 1
92-2609	Decal - Remote Hydraulics	13 18 1	92-4162	Pitman Shaft - Gear Service	7 * 1
92-2697	Hose - Hydraulic	43 1 1	92-4163	Steering Housing Assembly	7 * 1
92-4101	Primary Piston Assembly	9 11 1	92-4164	Plug Assy. - Service Adjust.	7 * 1
92-4102	Secondary Piston Assembly	9 4 1	92-4165	Plug - Housing End	6 2 1
92-4103	Pin - Stop	9 3 1	92-4166	Rack/Piston/Nut Assembly	7 * 1
92-4104	Adaptor - Pipe Fitting	9 1 2	92-4167	Service Plug Assembly	7 * 1
92-4106	Rod - Push	9 8 1	92-4168	Return - Guide Ball	6 7 2
92-4107	Dust Cover	9 7 1			

\*Not Illustrated

# TORO PART NUMBER INDEX (Cont.)

Part No.	Description	Pg. Ref.		Part No.	Description	Pg. Ref.	
		No.	Qty.			No.	Qty.
92-4169	Bearing - Needle	6	21	2412-133	R-Clamp	14	3
92-4170	Bearing - Pitman Shaft	6	47	2412-143	Clamp - Hose	8	15
92-4177	Yoke - Double Clamp	23	34	2412-144	Clamp - Hose	8	34
92-4179	Yoke, Shaft & Seal	23	33	2412-149	Clamp - R	30	37
92-4180	Seal	23	32	2412-149	Clamp - Tube	22	24
92-4182	Yoke & Hub Assembly	23	31	2412-149	R-Clamp	10	18
92-4183	Yoke - End	23	29	251-8	Bearing - Ball	35	1
92-4187	Cross & Bearing Kit	23	30	251-82	Bearing - Ball	28	11
92-4188	Ring - Snap	23	28	251-346	Bearing - Ball	35	8
92-5951	Angle - Hitch	23	40	254-72	Cup - Bearing	20	29
92-5972	Grommet	14	5	254-94	Cone - Bearing	20	30
93-0307	Nut - Retainer	20	35	254-106	Cone - Bearing	20	27
93-0309	Washer - Tab	20	3	254-107	Cup - Bearing	20	28
93-3102	Cap - Fuel	40	1	256-257	Bushing - Flange	8	1
218-446	Nut - Hex.	2	11	256-257	Bushing - Flange	12	36
218-447	Washer - Lock	2	12	283-2	Pin - Clevis	8	29
218-473	Boot - Switch	3	63	283-14	Pin - Clevis	16	23
218-574	Fuse 7.5 Amp.	2	46	283-30	Pin - Clevis	12	35
218-578	Fuse 10 Amp.	3	61	283-30	Pin - Clevis	8	42
218-600	Bulb	2	13	283-62	Pin - Clevis	16	6
219-17	Bulb - Warning Light	3	59	283-62	Pin - Clevis	15	8
232-27	Stem - Valve	20	31	283-62	Pin - Clevis	31	35
232-27	Valve - Stem	23	17	283-85	Pin - Clevis	8	39
233-37	Knob	15	1	302-5	Fitting - Grease	19	14
233-39	Knob	42	1	302-5	Fitting - Grease	20	20
233-39	Knob	5	1	302-5	Fitting - Grease	5	30
233-48	Knob	16	4	302-5	Fitting - Grease	23	35
237-21	Seal - O-Ring	43	2	302-11	Fitting - Grease	18	8
237-22	Seal - O-Ring	43	5	302-58	Fitting - Grease	24	44
237-22	Seal - O-Ring	42	9	321-2	Screw - Cap Hex. Hd.	2	1
237-30	O-Ring	31	34	321-2	Screw - Cap Hex. Hd.	30	7
237-42	O-Ring	45	2	321-3	Screw - Cap Hex. Hd.	2	4
237-42	Seal - O-Ring	43	7	321-3	Screw - Cap Hex. Hd.	26	31
237-42	Seal - O-Ring	42	11	321-3	Screw - Cap Hex. Hd.	5	33
237-42	Seal - O-Ring	31	47	321-4	Screw - Cap Hex. Hd.	26	5
237-42	Seal - O-Ring	43	15	321-4	Screw - Cap Hex. Hd.	38	6
237-78	Seal - O-Ring	43	15	321-4	Screw - Cap Hex. Hd.	29	8
237-79	Seal - O-Ring	43	25	321-4	Screw - Cap Hex. Hd.	13	9
237-79	Seal - O-Ring	31	39	321-4	Screw - Cap Hex. Hd.	10	17
237-80	Seal - O-Ring	43	24	321-4	Screw - Cap Hex. Hd.	14	20
237-123	Seal - O-Ring	31	25	321-4	Screw - Cap Hex. Hd.	1	24
240-5	Grommet	12	31	321-4	Screw - Cap Hex. Hd.	12	30
240-6	Grommet	8	22	321-4	Screw - Cap Hex. Hd.	2	33
241-119	Cap Dust	20	1	321-4	Screw - Cap Hex. Hd.	22	26
2410-35	Plug - Hole	2	6	321-4	Screw - Hex. Flange Hd.	30	56
2410-42	Cap - Front Bumper	1	12	321-5	Screw - Cap Hex. Hd.	46	3
2410-64	Plug - Hole	3	64	321-6	Screw - Cap Hex. Hd.	19	5
2411-33	Joint - Ball	12	3	321-6	Screw - Cap Hex. Hd.	42	5
2412-10	Clamp - R	19	7	321-9	Screw - Cap Hex. Hd.	10	16
2412-34	Clamp	43	22	321-9	Screw - Cap Hex. Hd.	16	27
2412-34	Clamp	30	36	321-14	Screw - Cap Hex. Hd.	43	8
2412-34	Clamp - Hose	26	6	321-15	Screw - Cap Hex. Hd.	42	13
2412-34	Clamp - Hose	29	7	322-2	Screw - Cap Hex. Hd.	8	2
2412-36	Clamp	40	8	322-2	Screw - Cap Hex. Hd.	10	8
2412-36	Clamp - Hose	31	3	322-2	Screw - Cap Hex. Hd.	5	16
2412-89	Clamp - R	46	2	322-2	Screw - Cap Hex. Hd.	26	42
2412-89	Clamp - R	10	20	322-2	Screw - Cap Hex. Hd.	2	50
2412-89	Clamp - R	38	20	322-2	Screw - Cap, Hex. Hd.	40	22
2412-89	Clamp - R	12	29	322-3	Screw - Cap Hex. Hd.	30	3
2412-89	Clamp - R	2	32	322-3	Screw - Cap Hex. Hd.	43	20
2412-92	Clamp	30	10	322-5	Screw - Cap Hex. Hd.	28	2
2412-92	Clamp - Hose	40	20	322-5	Screw - Cap Hex. Hd.	13	6
2412-105	Clamp - R	5	17	322-5	Screw - Cap Hex. Hd.	19	10
2412-106	Clamp - R	29	11	322-5	Screw - Cap Hex. Hd.	8	13
2412-107	Clamp - R	30	47	322-5	Screw - Cap Hex. Hd.	42	24
2412-108	Clamp	30	12	322-5	Screw - Cap Hex. Hd.	26	25
2412-108	Clamp - Hose	40	10	322-7	Screw - Cap Hex. Hd.	28	9
2412-108	Clamp - Hose	39	13	322-12	Screw - Cap Hex. Hd.	15	25
2412-130	Clamp - Hose	41	11				

\*Not Illustrated

# TORO PART NUMBER INDEX (Cont.)

Part No.	Description	Pg. Ref.		Part No.	Description	Pg. Ref.	
		No.	Qty.			No.	Qty.
323-4	Screw - Cap Hex. Hd.	40	16 2	3253-19	Washer - Lock	3	57 3
323-4	Screw - Cap Hex. Hd.	1	22 1	3253-21	Washer - Lock	23	10 8
323-6	Screw - Cap Hex. Hd.	16	1 1	3253-21	Washer - Lock	14	13 2
323-6	Screw - Cap Hex. Hd.	23	11 8	3253-21	Washer - Lock	20	33 8
323-6	Screw - Cap Hex. Hd.	14	12 2	3253-22	Washer - Lock	5	37 3
323-6	Screw - Cap Hex. Hd.	15	37 1	3254-1	Washer - Lock	2	36 1
323-7	Screw - Cap Hex. Hd.	31	14 4	3254-2	Washer - Lock	30	32 2
323-7	Screw - Cap Hex. Hd.	8	31 2	3255-7	Washer - Lock ETLW	39	3 1
323-7	Screw - Cap Hex. Hd.	23	42 4	3255-9	Washer - Lock ETLW	38	3 1
323-8	Screw - Hex. Flange Hd.	20	11 8	3256-3	Washer - Flat	28	8 4
323-9	Screw - Cap Hex. Hd.	38	14 1	3256-4	Washer - Flat	31	12 1
323-10	Screw - Cap Hex. Hd.	31	8 1	3256-5	Washer - Flat	12	11 4
323-12	Screw - Cap Hex. Hd.	18	6 8	3256-6	Washer - Flat	22	9 4
324-8	Screw - Cap Hex. Hd.	5	19 3	3256-6	Washer - Flat	18	32 2
324-9	Screw - Cap Hex. Hd.	18	22 4	3256-14	Washer - Flat	42	30 1
324-10	Screw - Cap Hex. Hd.	18	1 4	3256-22	Washer - Flat	10	4 4
324-12	Screw - Cap Hex. Hd.	29	3 2	3256-22	Washer - Flat	2	5 2
324-13	Screw - Cap Hex. Hd.	18	10 2	3256-22	Washer - Flat	13	8 8
325-4	Screw - Cap Hex. Hd.	14	15 2	3256-22	Washer - Flat	46	11 16
325-13	Screw - Cap Hex. Hd.	19	11 8	3256-22	Washer - Flat	26	14 4
325-13	Screw - Cap Hex. Hd.	18	27 4	3256-22	Washer - Flat	42	18 3
325-19	Screw - Cap Hex. Hd.	23	27 1	3256-22	Washer - Flat	14	19 8
325-20	Screw - Cap Hex. Hd.	23	24 5	3256-22	Washer - Flat	39	30 1
3211-8	Screw - Cap Hex. Hd.	15	13 2	3256-22	Washer - Flat	12	41 2
3215-1	Screw - Cap Hex. Hd.	31	16 2	3256-23	Washer - Flat	13	4 8
3215-2	Screw - Cap Hex. Hd.	12	12 6	3256-23	Washer - Flat	16	21 1
3217-25	Nut - Hex.	2	38 2	3256-23	Washer - Flat	42	26 2
3217-26	Nut - Hex.	2	37 1	3256-23	Washer - Lock	12	38 4
3217-29	Nut - Jam	3	58 3	3256-24	Washer - Flat	38	15 2
3218-18	Nut - Jam	15	43 1	3256-24	Washer - Flat	46	18 6
3218-20	Nut - Jam	12	16 2	3256-25	Washer	30	30 6
3218-21	Nut - Jam	20	18 2	3256-25	Washer - Flat	29	4 2
3219-14	Nut	15	5 1	3256-27	Washer - Flat	22	6 8
3219-14	Nut - Hex.	31	32 1	3256-27	Washer - Flat	18	31 2
3220-1	Nut - Jam	31	37 4	3256-28	Washer - Flat	28	15 1
3220-1	Nut - Jam	15	41 4	3256-45	Washer - Flat	26	27 1
3220-2	Nut - Jam	12	2 1	3256-61	Washer - Flat	13	25 14
3220-3	Nut - Jam	15	12 2	3256-61	Washer - Flat	1	29 4
3220-7	Nut - Jam	20	2 2	3256-67	Washer - Flat	39	29 3
3220-11	Nut - Jam	20	23 2	3257-7	Key - Woodruff	28	17 1
3229-25	Bolt - Carriage	39	5 2	3258-19	Screw - Round Head	41	2 2
3229-25	Screw - Carriage	43	19 2	3269-27	Rivet - Plastic	38	11 4
3230-18	Bolt - Carriage	14	2 2	3272-6	Pin - Cotter	15	3 3
3230-23	Bolt - Carriage	39	2 2	3272-6	Pin - Cotter	31	30 3
3230-23	Bolt - Carriage	38	5 4	3272-6	Pin - Cotter	8	37 1
3230-23	Bolt - Carriage	26	24 5	3272-10	Pin - Cotter	16	8 2
3231-3	Bolt - Carriage	18	21 4	3272-10	Pin - Cotter	12	33 1
3231-21	Bolt - Carriage	38	1 6	3272-10	Pin - Cotter	8	43 1
3231-21	Bolt - Carriage	42	21 2	3272-12	Pin - Cotter	19	17 4
3231-21	Bolt - Carriage	14	22 4	3272-12	Pin - Cotter	20	21 4
3231-21	Bolt - Carriage	15	32 4	3272-12	Pin - Cotter	20	32 2
3232-17	Bolt - Carriage	22	19 8	3272-37	Pin - Cotter	43	18 2
3234-1	Screw - Hex. Flange Hd.	1	13 6	3274-31	Screw - Hex. Socket Hd.	2	7 4
3234-4	Screw - Hex. Flange Hd.	31	42 4	3274-54	Screw - Hex. Socket Hd.	40	28 2
3234-11	Screw - Cap Hex. Hd.	29	18 6	3274-94	Screw - Hex. Socket Hd.	46	16 6
3234-38	Screw - Cap Hex. Hd.	40	31 2	3277-1	Nut - Hex.	5	5 1
3234-38	Screw - Hex. Flange Hd.	22	17 22	3290-221	Washer - Spring	15	34 1
3234-40	Screw - Hex. Flange Hd.	17	4 4	3290-221	Washer - Spring	16	36 2
3250-13	Screw	2	51 2	3290-271	Rivet - Pop	26	13 2
3250-13	Screw - Hex. Hd.	13	15 20	3290-321	Screw - Hex. Flange Hd.	8	10 2
3250-13	Screw - Pan Hd.	1	27 4	3290-357	Nut - Flange	40	18 2
3250-20	Screw - Round Hd.	26	41 4	3290-357	Nut - Flange Lock	1	8 9
3253-3	Washer - Lock	26	30 4	3290-357	Nut - Flange Lock	14	10 4
3253-4	Washer - Lock	13	5 8	3290-357	Nut - Flange Lock	18	16 4
3253-4	Washer - Lock	5	14 4	3290-357	Nut - Flange Lock	15	33 4
3253-4	Washer - Lock	30	22 6	3290-357	Nut - Flange Lock	8	33 2
3253-15	Washer - Lock	40	5 5	3290-357	Nut - Lock	38	2 6
3253-15	Washer - Lock	2	39 2	3290-357	Nut - Lock	26	21 1

\*Not Illustrated

# TORO PART NUMBER INDEX (Cont.)

Part No.	Description	Pg. No.	Ref. No.	Qty.	Part No.	Description	Pg. No.	Ref. No.	Qty.
3290-378	Tie - Cable	29	2	1	32122-24	Screw - Round Hd.	40	6	5
3290-379	Tie - Cable	30	38	1	32128-20	Nut - Flange	10	14	1
3290-413	Washer - Belleville	29	16	12	32128-20	Nut - Flange	5	27	6
3290-455	Washer	5	12	1	32128-20	Nut - Flange	2	48	3
3290-456	Washer - Belleville	15	46	2	32128-20	Nut - Flange Hd.	40	25	4
3290-477	Washer - Curved	16	28	1	32128-20	Nut - Flange Head	43	11	4
3290-478	Washer - Belleville	16	17	1	32128-20	Nut - Flange Lock	19	6	2
3290-506	Palnut	46	4	2	32128-20	Nut - Flange Lock	8	7	13
3290-507	Pin - Dowel	15	31	1	32128-20	Nut - Flange Lock	38	16	2
3296-2	Nut - Lock	8	8	2	32128-20	Nut - Flange Lock	14	21	8
3296-2	Nut - Lock	13	22	20	32128-20	Nut - Lock	26	40	4
3296-2	Nut - Lock	1	30	4	32128-21	Nut - Lock	31	11	1
3296-2	Nut - Lock	2	45	2	32128-23	Nut - Flange	40	17	2
3296-3	Nut - Lock	30	9	1	32128-23	Nut - Flange Lock	17	5	4
3296-4	Nut - Lock	12	5	1	32128-23	Nut - Flange Lock	22	21	22
3296-5	Nut - Lock	26	28	1	32128-25	Nut - Lock	15	11	2
3296-15	Nut - Lock	28	16	1	32128-33	Nut - Flange	29	14	1
3296-23	Nut - Flange Lock	19	12	8	32128-33	Nut - Flange	2	44	12
3296-23	Nut - Lock	22	10	4	32128-33	Nut - Flange Head	43	12	4
3296-23	Nut - Lock	18	14	4	32128-33	Nut - Flange Head	10	19	2
3296-23	Nut - Lock	14	16	2	32128-33	Nut - Flange Lock	31	1	1
3296-29	Nut - Flange Lock	26	23	8	32128-33	Nut - Flange Lock	38	4	1
3296-29	Nut - Lock	39	4	2	32128-33	Nut - Flange Lock	42	6	1
3296-29	Nut - Lock	28	6	6	32128-33	Nut - Flange Lock	22	27	4
3296-29	Nut - Lock	8	6	1	32128-33	Nut - Flange Lock	12	28	1
3296-29	Nut - Lock	12	19	1	32128-33	Nut - Lock	1	25	4
3296-29	Nut - Lock	42	27	1	32128-36	Nut - Lock	23	37	4
3296-29	Nut - Lock	30	46	1	32128-44	Nut - Flange Lock	14	9	2
3296-39	Nut - Flange Lock	31	20	4	32128-53	Nut - Flange Lock	23	26	2
3296-39	Nut - Lock	46	1	6	32136-2	Nut - Slotted	19	2	4
3296-39	Nut - Lock	22	13	6	32136-3	Nut - Slotted	20	22	4
3296-39	Nut - Lock	29	15	6	32141-86	Screw - Leveler	26	18	1
3296-39	Nut - Lock	20	16	8	32144-4	Screw - Hex. Washer Hd.	15	9	2
3296-39	Nut - Lock	38	18	1	32144-10	Screw - Self Tapping	5	18	2
3296-39	Nut - Lock	42	23	2	32144-18	Screw - Cap Hex. Hd.	2	22	2
3296-39	Nut - Lock	18	28	8	32144-52	Screw - Hex. Hd.	13	12	6
3296-39	Nut - Lock	16	33	1	32144-93	Screw - Self Tapping	46	6	2
3296-39	Nut - Lock	23	41	4	32144-116	Screw - Pan Head	5	8	8
3296-39	Nut - Lock	15	45	1	32148-6	Insert - Threaded	2	2	2
3296-42	Nut - Lock	10	3	4	32148-7	Nut - Clinch	1	18	8
3296-42	Nut - Lock	16	12	2	32148-7	Nut - Clinch	15	19	2
3296-42	Nut - Lock	19	13	2	32148-10	Insert - Threaded	22	1	8
3296-42	Nut - Lock	46	13	16	32148-15	Insert - Threaded	15	4	1
3296-42	Nut - Lock	26	15	4	32148-15	Nut - Clinch	31	31	1
3296-42	Nut - Lock	39	15	2	32151-41	Ring - Retaining	27	1	1
3296-42	Nut - Lock	42	19	2	32151-56	Ring - Push-On	8	23	1
3296-42	Nut - Lock	40	26	2	32151-104	Ring - Snap	19	15	4
3296-42	Nut - Lock	5	32	2	32152-10	Nut	44	12	1
3296-48	Nut - Lock	18	11	10	340-2	Fitting - Straight	43	10	1
3296-48	Nut - Lock	29	20	2	340-3	Fitting - Hydraulic Straight	43	26	1
3296-56	Nut - Lock	30	50	3	340-77	Fitting - Hydraulic 90°	43	6	1
3296-59	Nut - Lock	5	13	1	340-86	Fitting - Hydraulic Tee	42	15	1
3296-76	Nut - Lock	22	33	8	340-92	Fitting - Hydraulic Straight	43	29	1
32104-82	Screw - Hex. Flange Hd.	22	25	2	340-94	Fitting - Hydraulic Tee	42	10	1
32104-88	Screw	1	4	6	340-132	Fitting - Hydraulic 90°	43	14	4
32107-11	Nut - Square	41	4	2	340-140	Fitting - Hydraulic Tee	43	28	1
32120-47	Ring - E	12	32	2	340-151	Fitting - Hydraulic Tee	43	30	1
32120-47	Ring - E	8	41	1	353-707	Fitting - 90° Barb	39	14	1
32120-47	Ring - Retaining	30	5	1	353-781	Fitting - Fuel 90°	40	14	1
32120-47	Ring - Retaining	16	10	3	353-783	Fitting - Straight	39	20	1
32121-7	Pin - Roll	12	22	1	354-134	Fitting - Hydraulic 90°	31	40	2
32121-24	Pin - Roll	12	24	2	354-135	Fitting - Hydraulic 90°	31	5	1
32121-48	Pin - Roll	15	23	1	354-136	Fitting - Hydraulic Straight	43	23	1

\*Not Illustrated

## PRODUCT CHANGES

In an effort to make improvements available to TORO owners as quickly as possible, minor changes are incorporated into Toro's products from time to time that do not become immediately shown in the Parts Catalog. If such a change has been made in your unit, which is not reflected in your manual, see your TORO Distributor or his Authorized TORO Service Dealer for information and part numbers.

## IDENTIFICATION AND ORDERING

### MODEL AND SERIAL NUMBERS

The Workman 3300D has two identification numbers; a model number and a serial number. The two numbers are stamped on a plate which is located on the main frame. In any correspondence concerning the Workman 3300D, supply model and serial numbers to assure that correct information and replacement parts are obtained.

To order replacement parts from an Authorized TORO Service Dealer, supply the following information:

1. Model and serial number of the Workman 3300D.
2. Part number, description, and the quantity of part(s) desired.

**NOTE:** Do not order by reference number if a parts catalog is being used; use the PART NUMBER.

# TABLE OF CONTENTS

Description	Page	Description	Page
Front Bumper & Hood Assembly .....	1	Transaxle Installation Assembly .....	31-32
Control Panel Assembly .....	2-3	Transaxle Case Assembly .....	33
Electrical Schematic .....	4	Countershaft Assembly .....	34
Steering Linkage Assembly .....	5	Transaxle Gear Shafts Assembly .....	35
Steering Gear Assembly No. 87-1500 .....	6-7	Shift Fork Assembly .....	36
Brake & Accelerator Pedal Assembly .....	8	Differential Gear Assembly .....	37
Master Brake Cylinder No. 87-3030 .....	9	Battery Mount Assembly .....	38
Hydraulic Brake Line Routing Assembly .....	10	Fuel Filter, Pump & Relay Mounting .....	39
Hydraulic Schematic .....	11	Fuel Tank & Air Cleaner Assembly .....	40
Clutch Linkage Assembly .....	12	Air Cleaner Assembly .....	41
Seat Base Assembly .....	13	Lift Valve Linkage Assembly .....	42
Seat Back Assembly .....	14	Lift Valve & Cylinder Assembly .....	43
Hi-Lo Shift Levers Assemblies .....	15	Lift Cylinder No. 87-7990 .....	44
Differential Lock & Parking Brake Assemblies .....	16	Control Valve Assembly No. 43-1950 .....	45
R.O.P.S. Assembly .....	17	Rear Fender & Tail Light Assembly .....	46
Front Suspension Assembly .....	18	Camshaft Assembly .....	47
Front Suspension Control Arm Assembly .....	19	Valves & Crankshaft Assembly .....	48
Front Wheel Assembly .....	20	Cylinder Head Assembly .....	49
Front Brake Assembly .....	21	Crankcase Assembly .....	50
Rear Frame Assembly .....	22	Water Pump Assembly .....	51
Rear Axle Assembly .....	23-24	Fuel Supply & Engine Block Assembly .....	52
Rear Brake Assembly .....	25	Fuel Injection Pump Assembly .....	53-54
Radiator & Hydraulic Pump Assembly .....	26	Governor Assembly .....	55
Hydraulic Pump Assembly No. 87-5700 .....	27	Starter Assembly .....	56
Hydraulic Pump Drive Assembly .....	28	Alternator Assembly .....	57
Engine Frame Assembly .....	29	International Decal Cross Reference .....	58-64
Engine Installation Assembly .....	30	TORO Part Number Index .....	65-75