



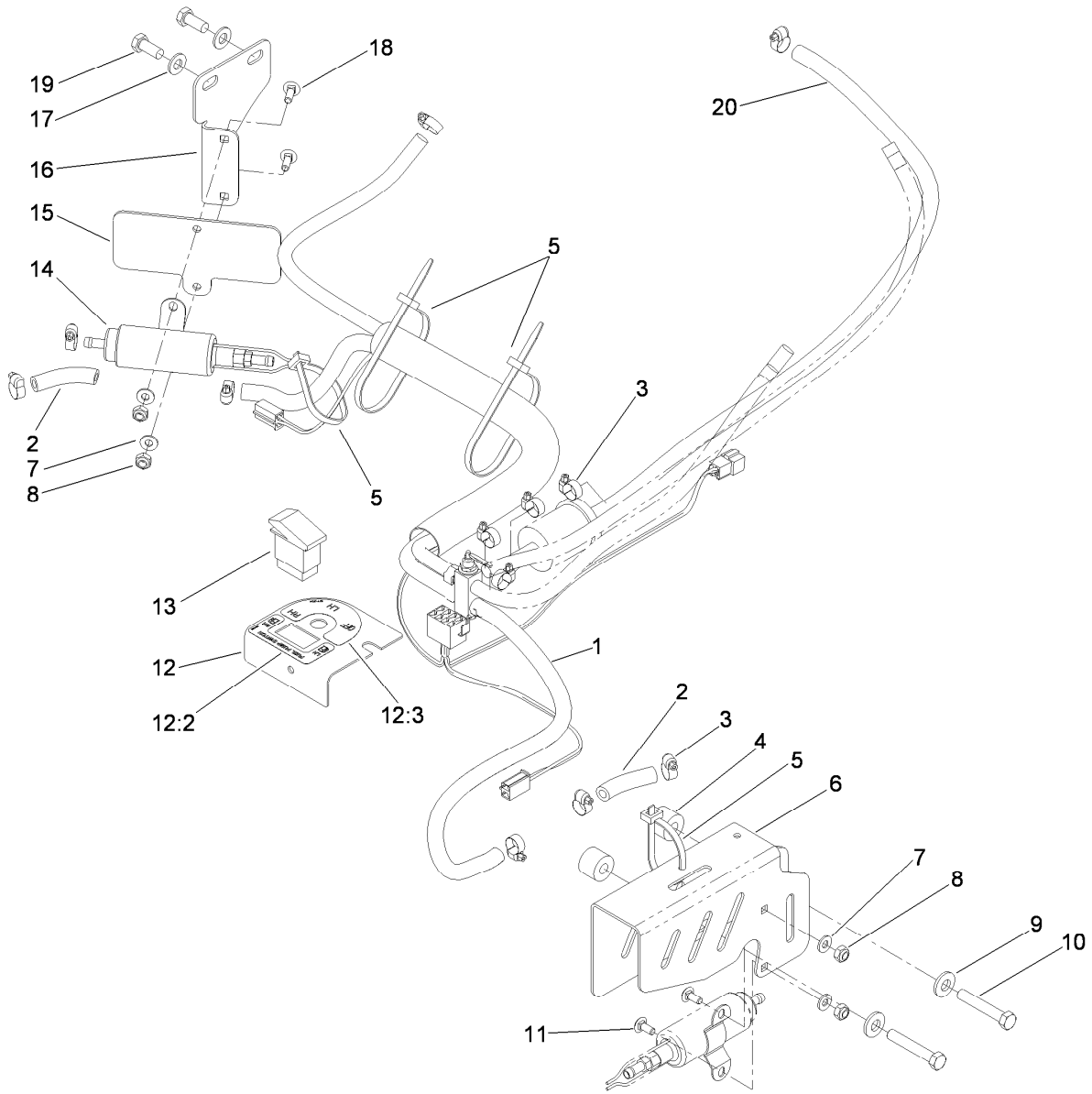
**Count on it.**

**Parts Catalog**

**Dual Fuel Pump Kit**

**Z500 Z Master® Riding Mower with 29hp DFI  
Kawasaki Engine**

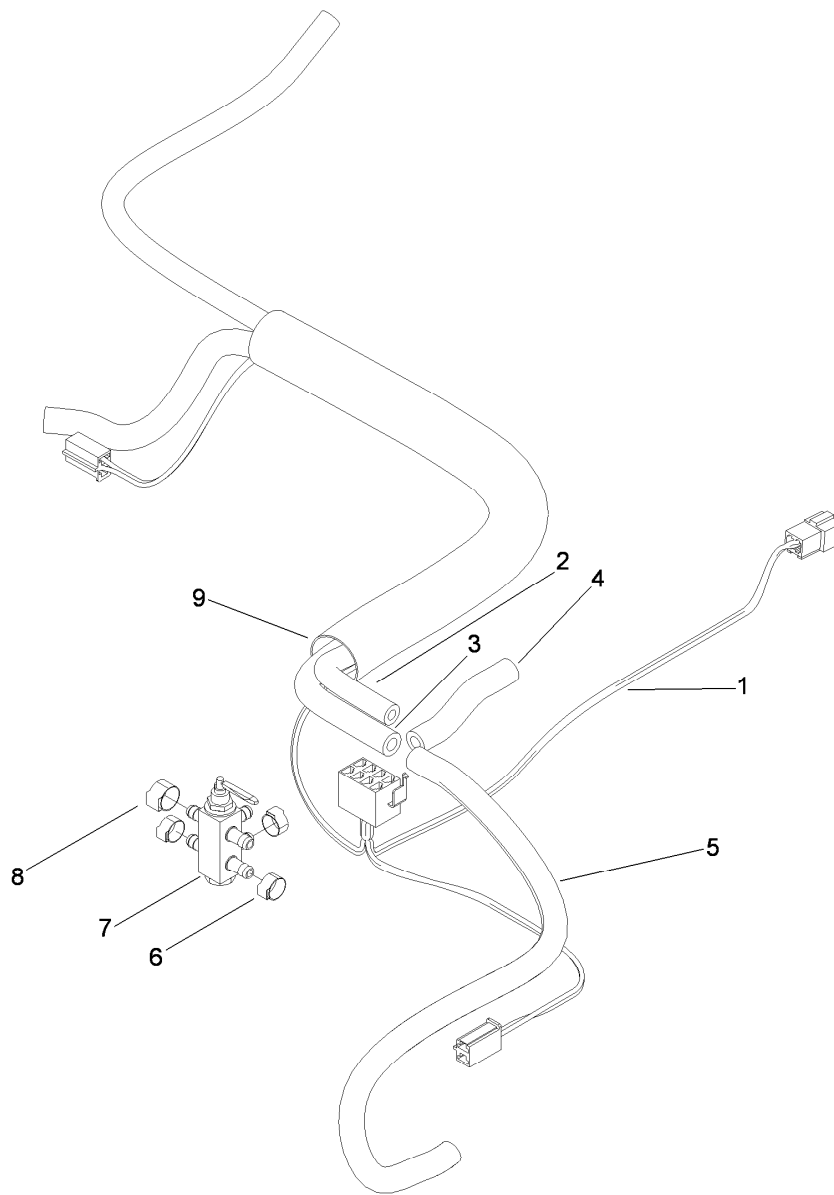
**Model No. 115-7490**



## Dual Fuel Pump Kit No. 115-7490

Ref.	Part Number	Qty.	Description	Ref.	Part Number	Qty.	Description
1		1	Fuel Valve And Hose ASM ●	12	117-8555	1	Fuel Valve Bracket ASM
2	117-8558	2	Hose-Fuel	12:2	115-7485	1	Decal-Switch, Fuel
3	2412-108	12	Clamp-Worm	12:3	107-2114	1	Decal-Valve, Fuel
4	99-3440	2	Spacer	13	95-8999	1	Switch
5	1-643115	4	Tie-Plastic	14	109-0928	1	Pump-Fuel
6	117-8551-01	1	Bracket-Fuel Pump, LH	15	117-8553-03	1	Plate-Cover, Fuel Pump
7	3256-22	4	Washer-Flat	16	117-8552-03	1	Bracket-Fuel Pump, RH
8	3296-16	4	Nut-Lock, NI	17	3256-24	2	Washer-Flat
9	98-5975	2	Washer-Belleville	18	3229-1	2	Screw-CARR
10	323-11	2	Screw-HH	19	323-5	2	Screw-HH
11	3229-11	2	Screw-CARR	20	110-4171	1	Hose-Fuel

● Not serviced separately



## Fuel Hose and Valve Assembly

<i>Ref.</i>	<i>Part Number</i>	<i>Qty.</i>	<i>Description</i>
1	115-7441	1	Wire Harness-Dfi Dual Fuel Pumps
2	110-5702	1	Hose-Fuel
3	110-4171	1	Hose-Fuel
4	117-8558	1	Hose-Fuel
5	117-8559	1	Hose-Fuel
6	1-643277	3	Clamp-Hose, Fuel
7	1-643234	1	Valve-Fuel, Dual Flow
8	1-643293	1	Clamp-Hose, Fuel
9	114-4406	1	Sleeve-Fabric



**Count on it.**