



**Count on it.**

**Parts Catalog**

**60in Side Discharge Mower**  
**Groundsmaster® 3320/3280-D Traction Unit**  
Model No. 30366—Serial No. 310000201 and Up

# Ordering Replacement Parts

To order replacement parts, please supply the part number, the quantity, and the description of each part desired.

## Understanding Reference Numbers

Each identified part in an illustration has a reference number. The reference number for a part also appears in the parts list, along with other information about the part.

This catalog uses two special reference number formats, one to indicate parts in a service assembly and another to indicate the quantity of a given part in an illustration.

## Service Assembly Reference Numbers

Parts in service assemblies have reference numbers in the form a:b. The a represents the reference number of the entire service assembly and the b represents a sequential number unique to each part within the service assembly.

For example, a wheel assembly might be identified by reference number 6, the tire by 6:1, the valve by 6:2, and the wheel by 6:3. When you order the assembly identified by reference number 6, you receive all parts identified by reference numbers 6:1, 6:2, and 6:3. However, you may also order any part individually. Reference numbers of this type appear in illustration and in parts lists.

## Reference Numbers Indicating Quantity

In an illustration, if a reference number indicates more than one part, the reference number has the form nX y. The n represents the quantity of the part, the X is the multiplication symbol, and the y represents the reference number.

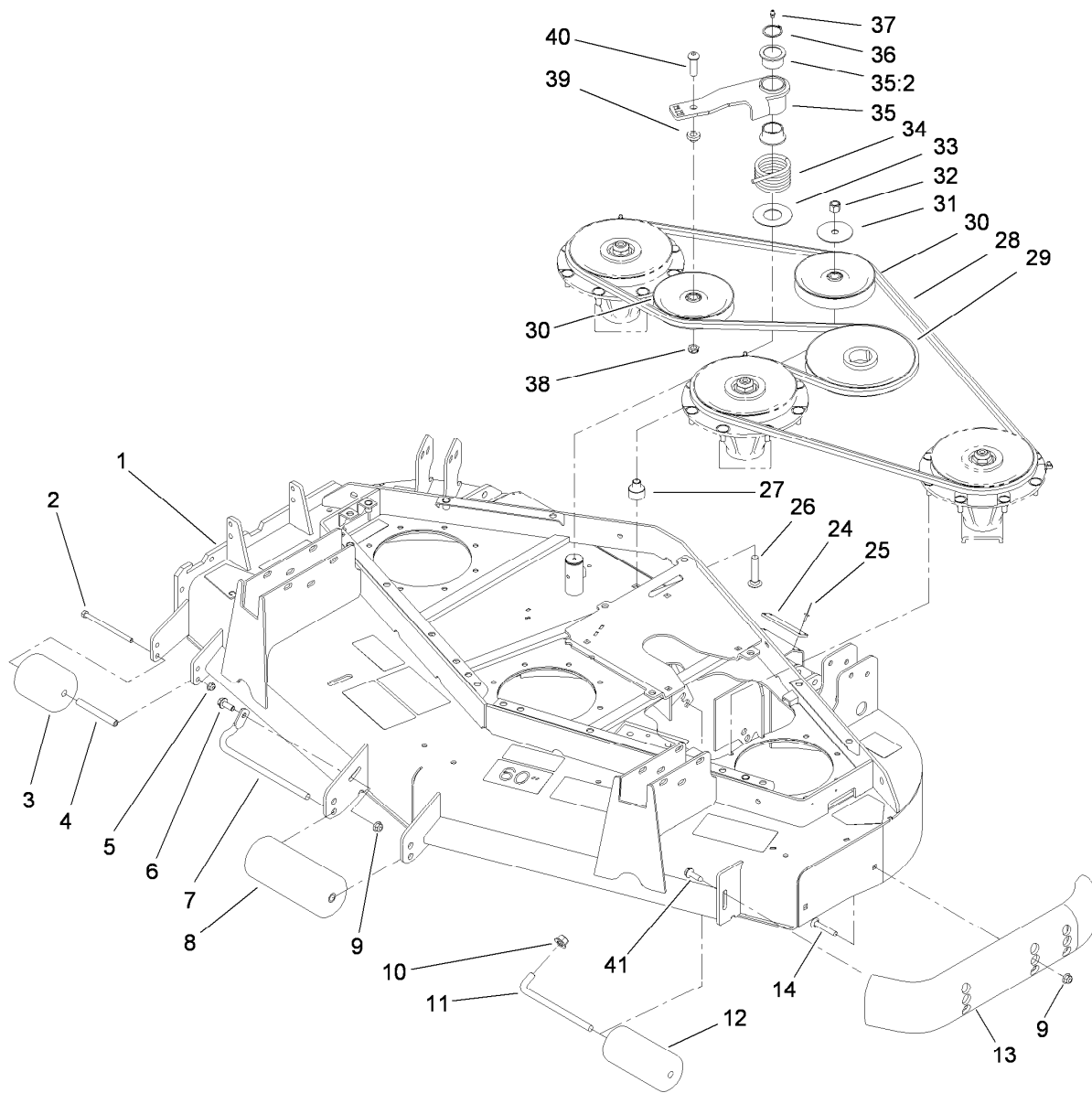
For example, in an illustration, the reference number 2X 37 means that two of the parts identified by reference number 37 are indicated.

# List of Abbreviations

<b>AR:</b> as required	<b>HSBH:</b> hex socket button head	<b>SFH:</b> slotted fillister head
<b>ASM:</b> assembly	<b>HSFH:</b> hex socket flat head	<b>SHH:</b> slotted hex head
<b>BBC:</b> blade brake control	<b>HSH:</b> hex socket head	<b>SHWH:</b> slotted hex washer head
<b>BHTF:</b> button head thread forming	<b>HWH:</b> hex washer head	<b>SPH:</b> slotted pan head
<b>CARR:</b> carriage	<b>HWHTF:</b> hex washer head thread forming	<b>SQH:</b> square head
<b>CCW:</b> counter clockwise	<b>HYD:</b> hydraulic	<b>SRH:</b> slotted round head
<b>CW:</b> clockwise	<b>LH:</b> left hand	<b>STD:</b> standard
<b>DEG:</b> degrees	<b>LP:</b> Liquid Propane	<b>TAP:</b> self tapping
<b>ECM:</b> electronic control module	<b>NI:</b> nylon insert	<b>TTH:</b> torx truss head
<b>EXT:</b> external	<b>NPTF:</b> national pipe thread fine	
<b>FH:</b> flat head	<b>PFH:</b> phillips flat head	
<b>GA:</b> gauge	<b>PPH:</b> phillips pan head	
<b>HD:</b> heavy-duty	<b>PPHTF:</b> phillips pan head thread forming	
<b>HF:</b> hex flange	<b>PRH:</b> phillips round head	
<b>HH:</b> hex head	<b>PTH:</b> phillips truss head	
<b>HHF:</b> hex head flange	<b>PTO:</b> power-take-off	
<b>HHFTF:</b> hex head flange thread forming	<b>RH:</b> right hand	
<b>HJ:</b> hex jam	<b>ROPS:</b> roll-over protection system	
<b>HLH:</b> hex lag head	<b>RRB:</b> rear roller brush	
<b>HOC:</b> height-of-cut		

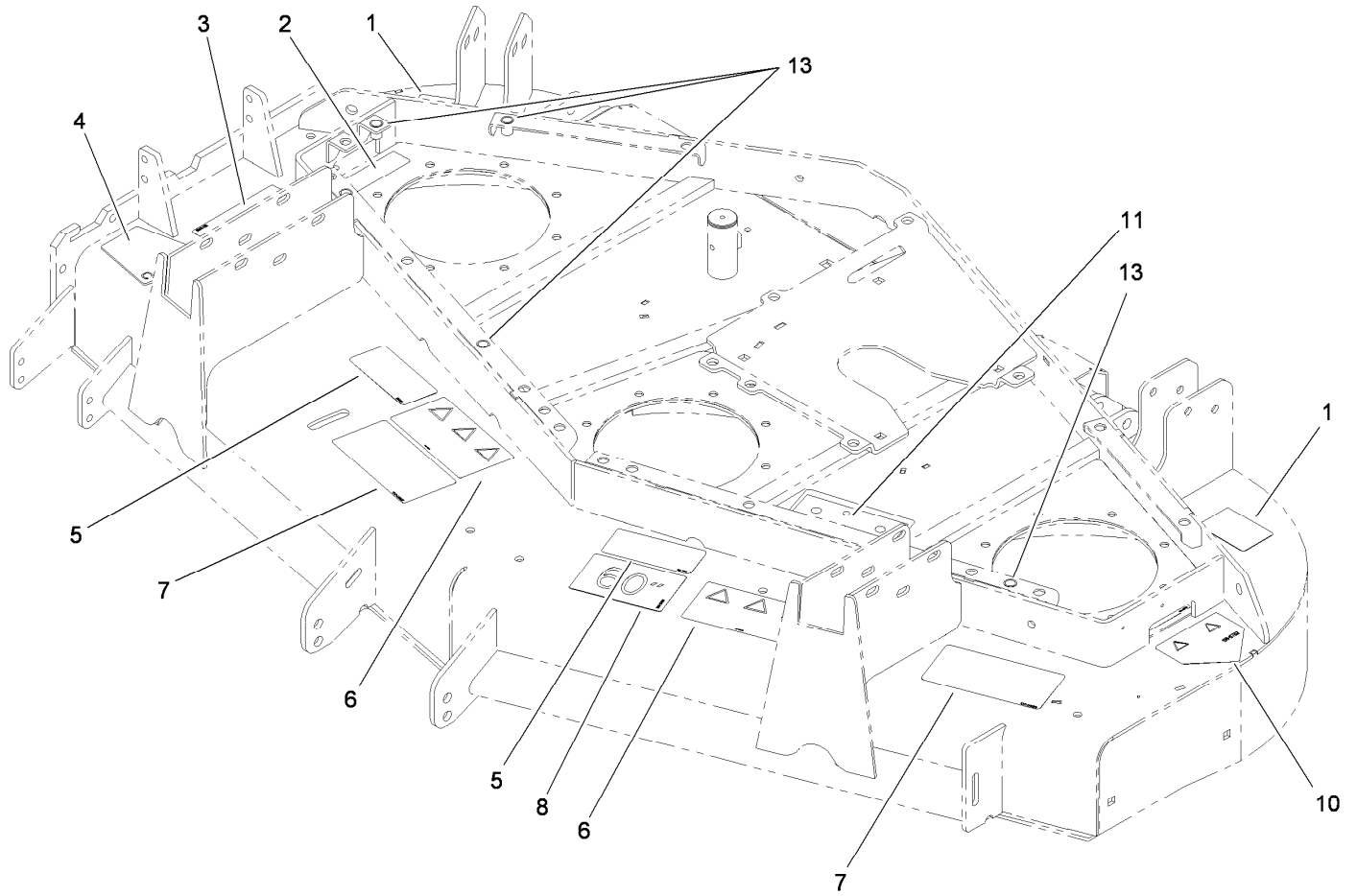
# Contents

Deck, Roller, Belt and Pulley Assembly .....	4
Deck Assembly No. 107-7271 .....	5
Caster Arm Assembly .....	6
Spindle and Blade Assembly .....	7
Spindle Assembly No. 119-4778 .....	8
Cover, Gearbox and Baffle Assembly .....	9
Rubber Deflector Assembly No. 108-2792 .....	10
Lever Assembly No. 107-1664 .....	11
Gear Box Assembly No. 108-1370 .....	12
Drive Shaft Assembly No. 110-4704 .....	13
Lift Arm and Rear Height-of-Cut Assembly .....	14
Left Hand Lift Arm Assembly No. 117-0803 .....	15
Right Hand Lift Arm Assembly No. 117-0800 .....	16
Attachments and Accessories .....	17



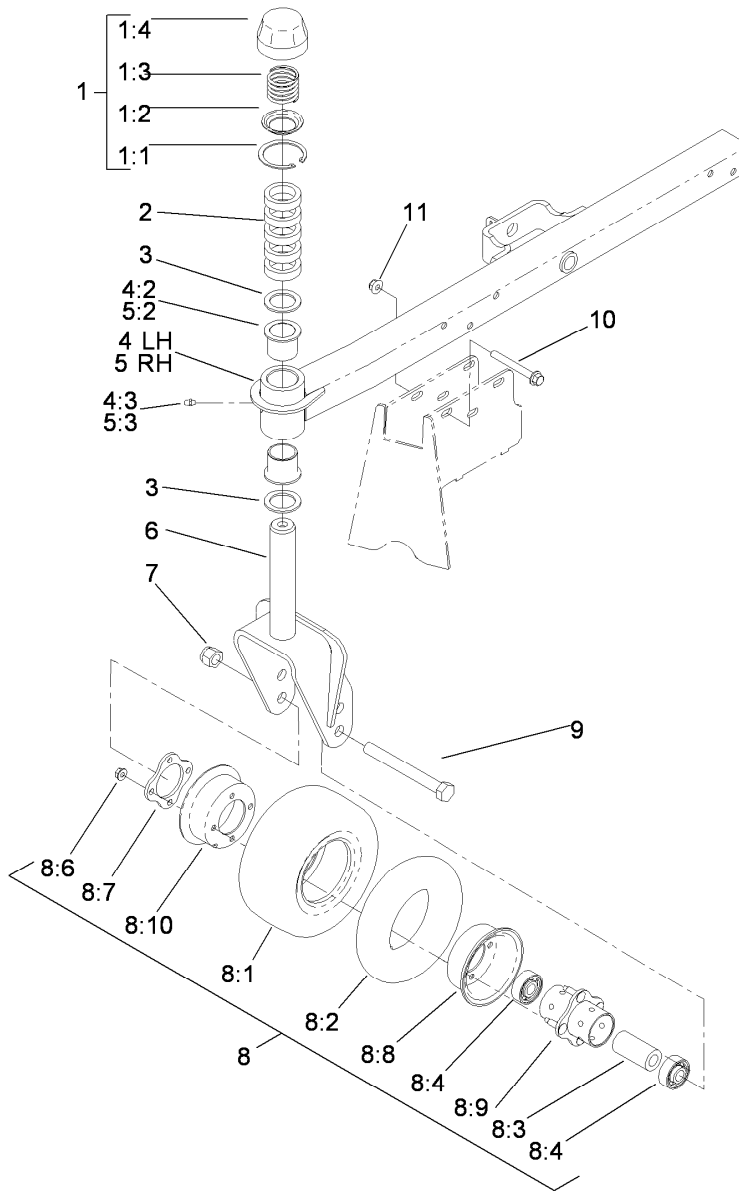
## Deck, Roller, Belt and Pulley Assembly

<i>Ref.</i>	<i>Part Number</i>	<i>Qty.</i>	<i>Description</i>	<i>Ref.</i>	<i>Part Number</i>	<i>Qty.</i>	<i>Description</i>
1	107-7271	1	Deck ASM	27	108-1908	1	Spacer-Idler
2	322-29	1	Screw-HH	28	108-4391	1	Belt-Hex
3	93-4803	1	Roller-Deck	29	108-1950	1	Pulley
4	105-4549	1	Spacer-Roller	30	01-268-0160	2	Pulley-Idler
5	104-8300	1	Nut-Flange, NI	31	100-3102	1	Washer-Flat
6	3234-42	1	Screw-HHF	32	3296-23	1	Nut-Lock, NI
7	68-6840	1	Shaft-Roller	33	108-1926	1	Washer
8	68-6710	1	Roller	34	108-1921	1	Spring-Torsion
9	104-8301	3	Nut-Flange, NI	35	108-1930	1	Idler Arm ASM
10	99-5107	2	Nut-Lock	35:2	93-4510	2	Bushing-Caster
11	110-9683	2	Shaft-Rear Roller	36	32120-84	1	Ring-Snap, External
12	36-1740	2	Roller-Deck	37	302-5	1	Fitting-Grease
13	112-1479	1	Skid-Bumper, Deck	38	3296-45	1	Nut-Lock, NI
14	3231-33	2	Screw-CARR	39	108-1924	1	Spacer-Idler
24	108-1914	2	Pad-Bumper	40	108-1993	1	Screw-HSBH
25	3269-24	8	Rivet	41	9136144	1	Screw-HWHTF
26	3233-34	1	Screw-CARR				



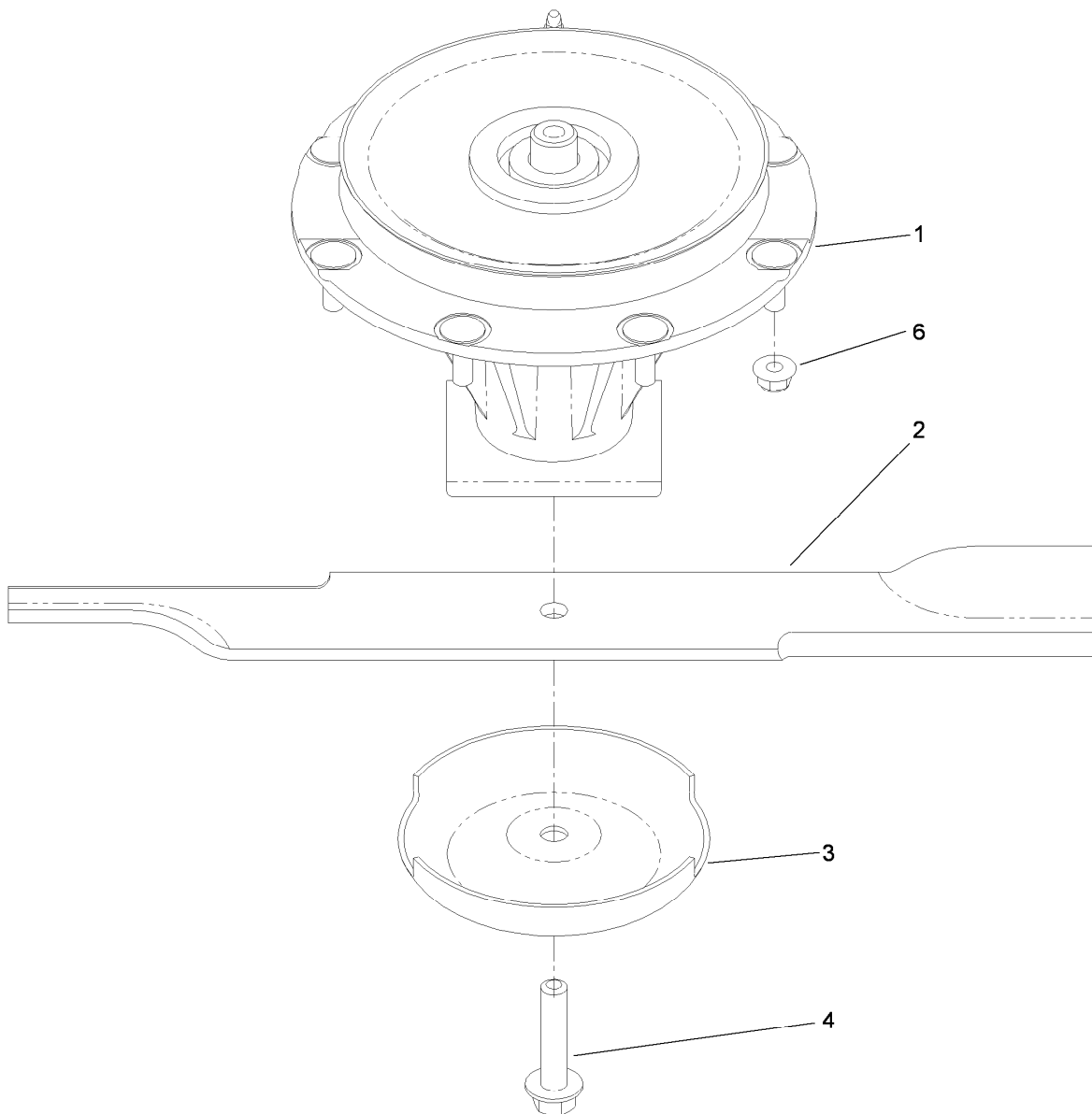
## Deck Assembly No. 107-7271

<i>Ref.</i>	<i>Part Number</i>	<i>Qty.</i>	<i>Description</i>
1	108-1986	2	Decal-HOC, Rear
2	100-6578	4	Decal-Danger
3	107-2916	1	Decal-Warning
4	107-1622	1	Decal-Adjustment, Baffle
5	93-7818	2	Decal-Torque, Blade Bolt
6	107-2908	2	Decal-Danger, Combination
7	100-5622	2	Decal-HOC
8	108-1990	1	Decal
10	106-6753	1	Decal-Danger, Ce
11	108-1988	1	Decal-Routing, Belt
13	32148-9	4	Insert-Nut



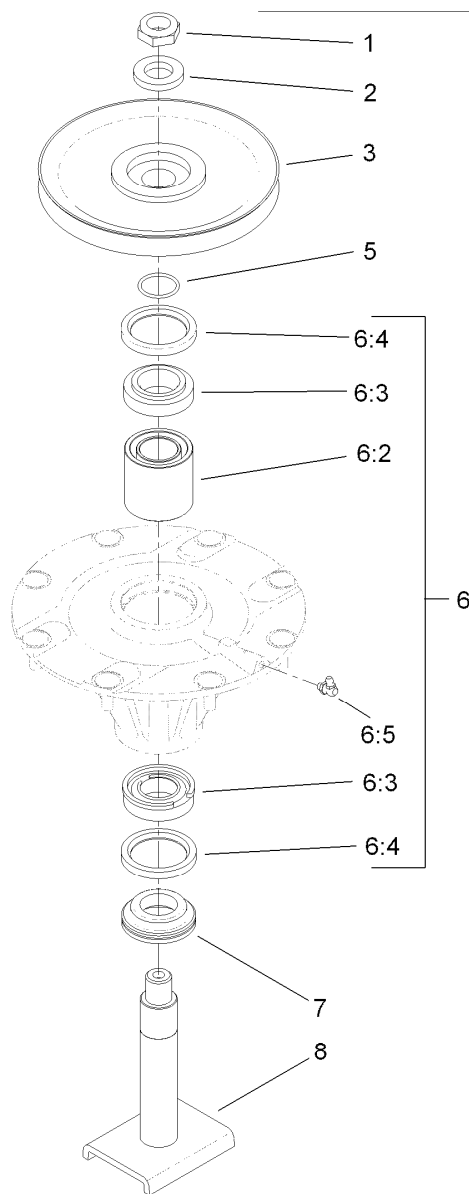
## Caster Arm Assembly

<i>Ref.</i>	<i>Part Number</i>	<i>Qty.</i>	<i>Description</i>	<i>Ref.</i>	<i>Part Number</i>	<i>Qty.</i>	<i>Description</i>
1	92-9727	2	HOC Cap ASM	7	3296-53	2	Nut-Lock, NI
1:1	92-5581	1	Ring-Retaining	8	93-9938	2	8 Inch Wheel ASM
1:2	92-5583	1	Washer-Cap	8:1	93-9939	1	Tire
1:3	92-9726	1	Spring-Compression	8:2	68-8950	1	Tube-Inner (W/Valve)
1:4	92-8861	1	Cap-HOC	8:3	93-4241	1	Spacer-Bearing, Inner
2	69-1510	10	Spacer-Caster	8:4	108-9017	2	Bearing-Stainless Steel
3	69-6860	4	Washer-Thrust	8:6	32128-16	4	Nut-HHF
4	108-5744	1	LH Caster Arm ASM	8:7	93-4242	1	Plate
4:2	69-6470	2	Bushing-Caster	8:8	93-4239	1	Rim-Wheel, Half
4:3	302-5	1	Fitting-Grease	8:9	93-5980	1	Hub
5	108-5745	1	RH Caster Arm ASM	8:10	95-2741	1	Rim-Wheel, Half
5:2	69-6470	2	Bushing-Caster	9	327-24	2	Screw-HH
5:3	302-5	1	Fitting-Grease	10	3234-41	10	Screw-HHF
6	104-0762-01	2	Caster Fork ASM	11	104-8301	10	Nut-Flange, NI



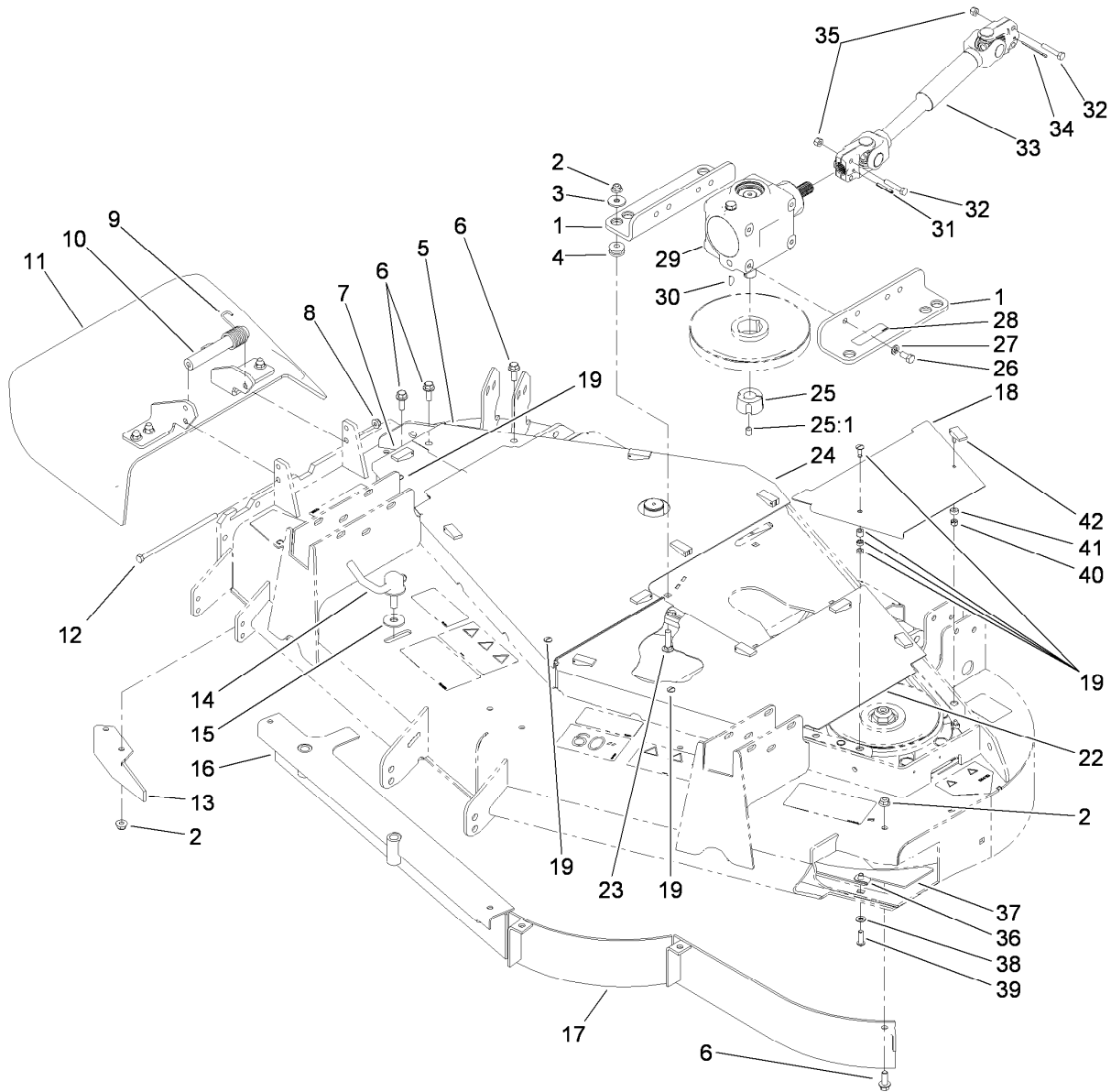
## Spindle and Blade Assembly

<i>Ref.</i>	<i>Part Number</i>	<i>Qty.</i>	<i>Description</i>
1	119-4778	3	Spindle ASM
2	110-4701	3	Blade-Rotary, Standard (20.5)
3	72-9361	3	Cup-Scalp, Anti
4	92-5816	3	Bolt-Blade
6	104-8301	24	Nut-Flange, NI



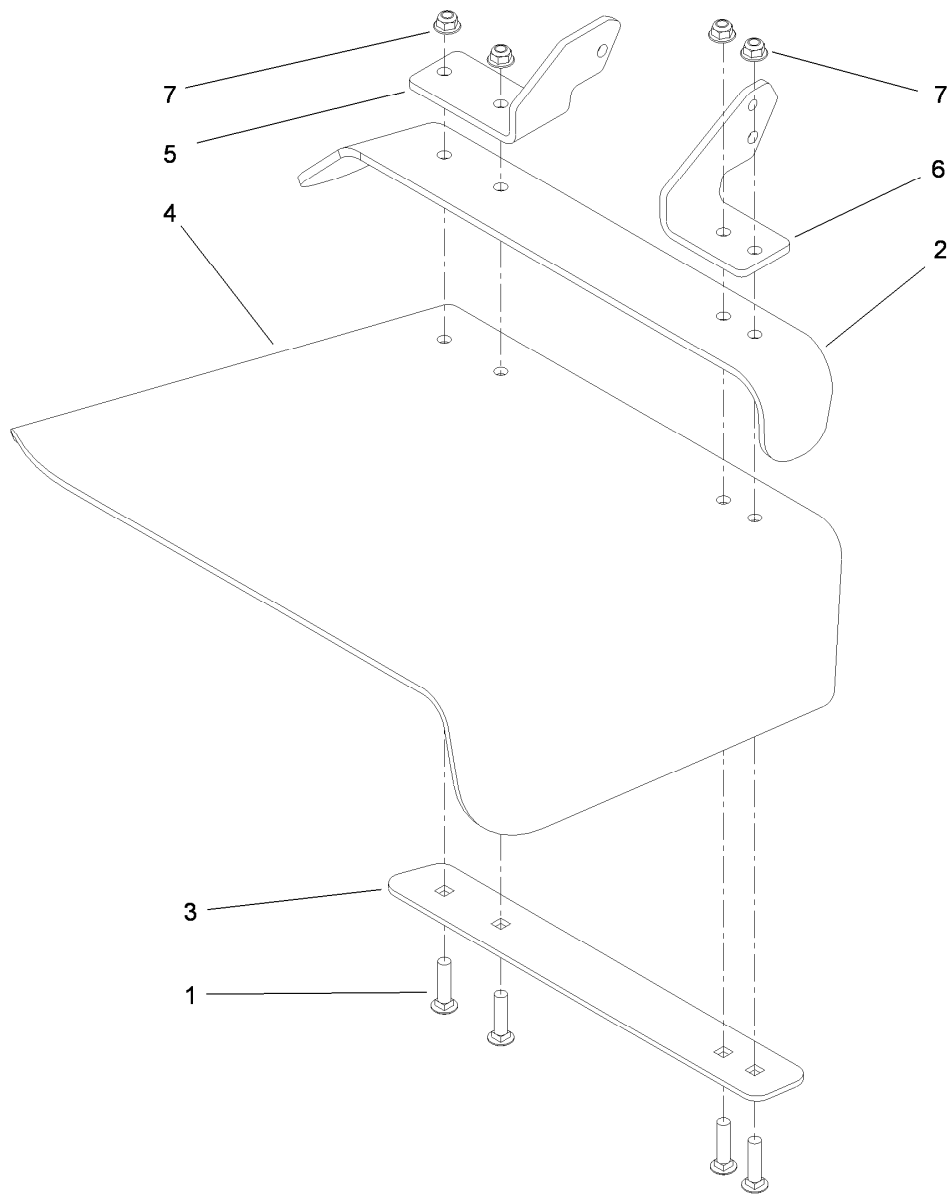
## Spindle Assembly No. 119-4778

<i>Ref.</i>	<i>Part Number</i>	<i>Qty.</i>	<i>Description</i>
1	3296-60	1	Nut-Lock, NI
2	104-8322	1	Washer-Hardened
3	104-3546	1	Pulley-Driven, Low
5	106-7159	1	O-Ring
6	119-4777	1	Spindle ASM
6:2	108-1954	1	Spacer Set-Bearing
6:3	110-8297	1	Bearing ASM
6:4	253-154	2	Seal-Oil
6:5	302-60	1	Fitting-Grease
7	69-6950	1	Spacer-Shaft, Spindle
8	108-1956	1	Shaft ASM



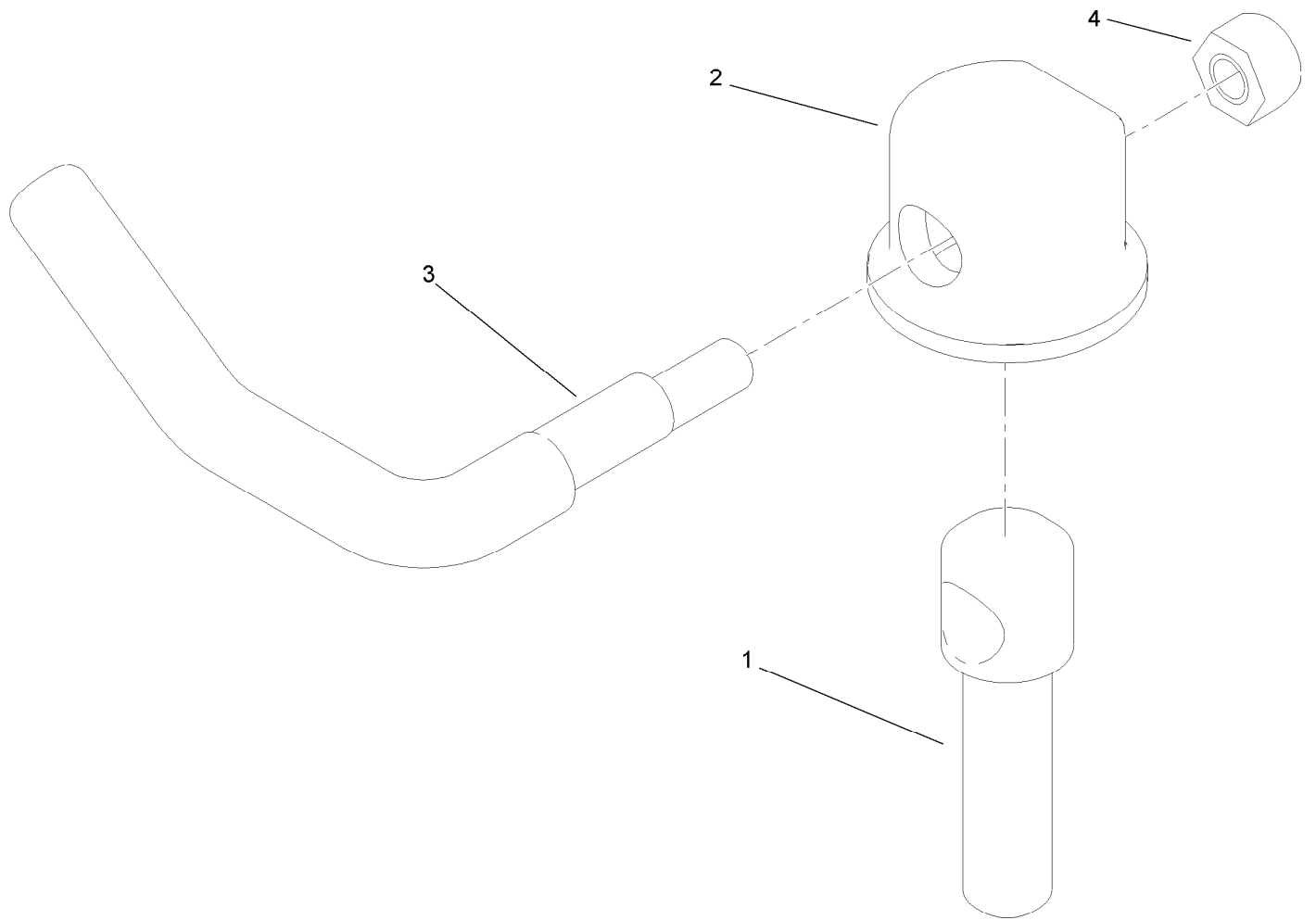
## Cover, Gearbox and Baffle Assembly

Ref.	Part Number	Qty.	Description	Ref.	Part Number	Qty.	Description
1	108-4376-03	2	Bracket-Gearbox	23	3231-26	4	Screw-CARR
2	104-8301	10	Nut-Flange, NI	24	119-4797-03	1	Cover-Middle, RH
3	63-8410	4	Washer	25	23-1640	1	Bushing-Taperlock
4	63-9750	4	Mount	25:1	3247-4	2	Screw-Set
5	108-6064-03	1	Cover-Outside, Rear (RH)	26	323-4	4	Screw-HH
6	3234-42	8	Screw-HHF	27	3253-21	4	Washer-Lock
7	119-4798-03	1	Cover-Front Outside, RH	28	93-6697	1	Decal-Lube
8	104-8300	1	Nut-Flange, NI	29	108-1370	1	Gearbox Replacement Kit
9	108-4052	1	Spring-Torsion	30	3257-5	1	Key-Woodruff
10	105-4622	1	Spacer	31	32121-34	1	Pin-Roll
11	108-2792	1	Rubber Deflector ASM	32	322-9	4	Screw-HH
12	322-50	1	Screw-HH	33	110-4704	1	PTO Drive Shaft ASM
13	106-3216-01	1	Baffle-Discharge	34	3272-15	1	Pin-Cotter
14	107-1664	2	Lever ASM	35	3296-29	4	Nut-Lock, NI
15	105-7697	2	Washer-Plastic	36	112-3306	2	Nut
16	105-7669-01	1	Baffle ASM	37	115-1421	1	Plate-Turbo
17	105-7657-01	1	Baffle ASM	38	3256-23	2	Washer-Flat
18	119-4795-03	1	Cover-Outside, LH	39	3274-104	2	Screw-HSBH
19	117-6989	4	Fractional Turn Oval Head Stud ASM	40	1-804254	12	Nut
22	119-4796-03	1	Cover-Middle, LH	41	106-6778	12	Bushing-Latch, Swell
				42	106-6777	12	Handle-Latch, Swell



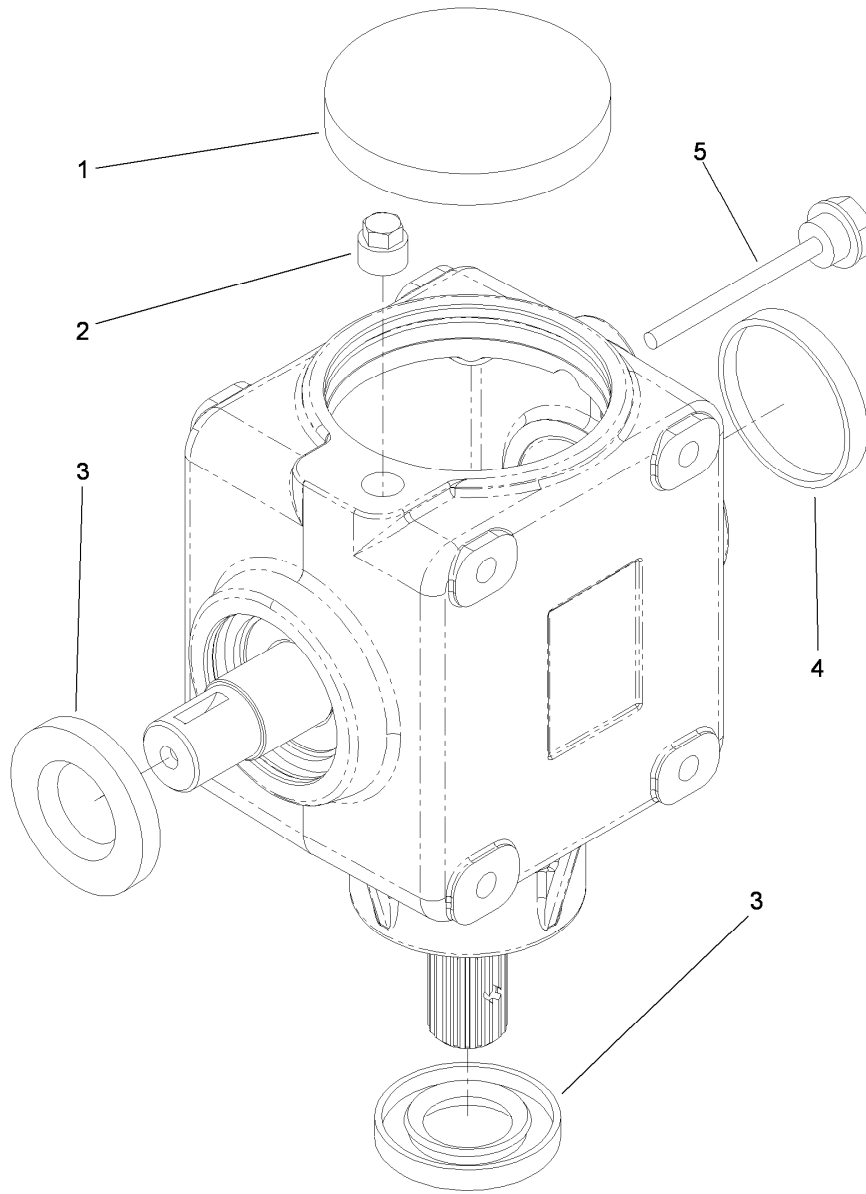
## Rubber Deflector Assembly No. 108-2792

<i>Ref.</i>	<i>Part Number</i>	<i>Qty.</i>	<i>Description</i>
1	3231-4	4	Screw-CARR
2	106-3246-01	1	Deflector
3	106-3248-03	1	Strap-Discharge
4	108-5029	1	Deflector-Rubber
5	108-4059-01	1	Plate-Hinge, Rear
6	106-3253-01	1	Plate-Hinge, Front
7	104-8301	4	Nut-Flange, NI



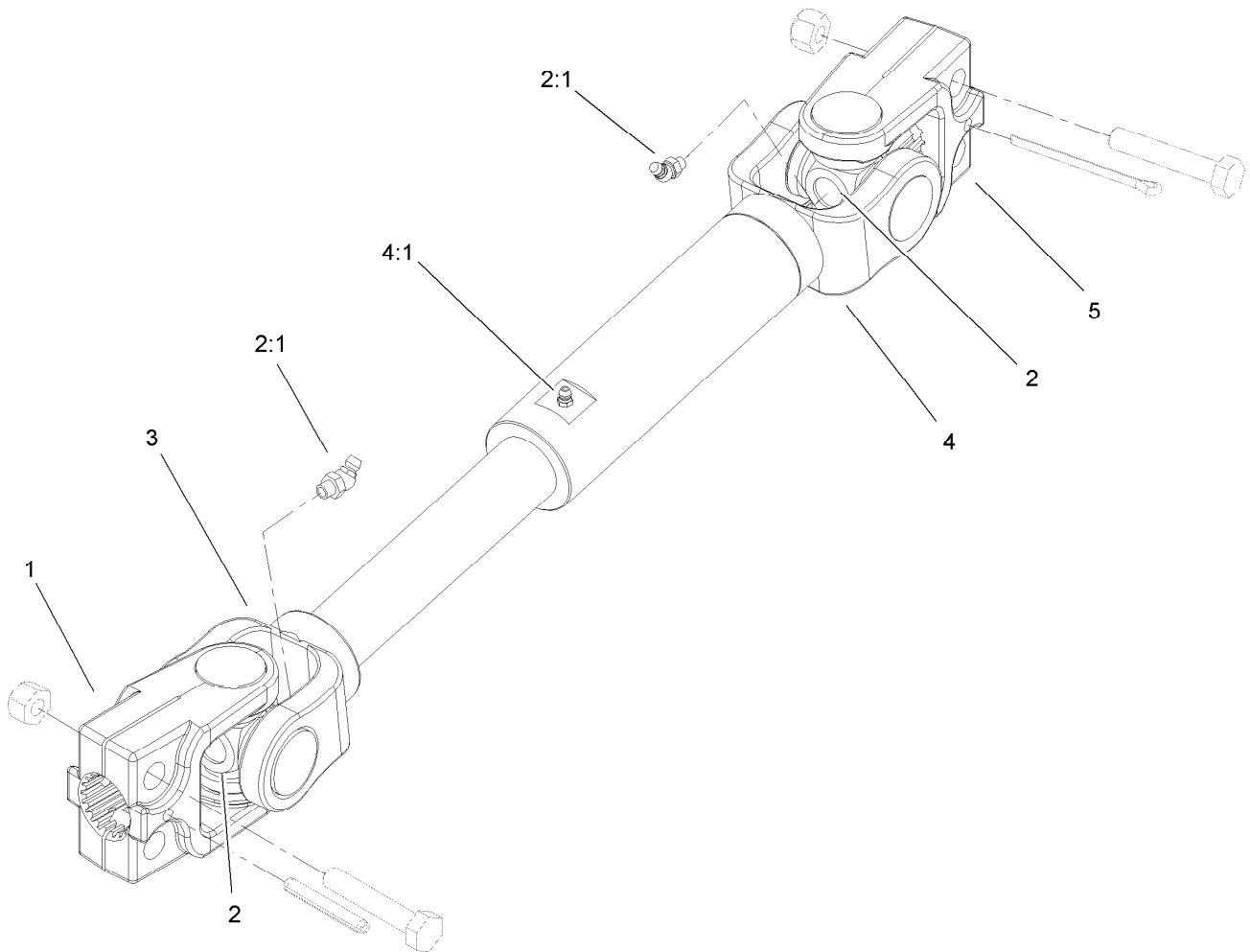
## Lever Assembly No. 107-1664

<i>Ref.</i>	<i>Part Number</i>	<i>Qty.</i>	<i>Description</i>
1	106-3239	1	Screw-Lock
2	107-1644	1	Cap-Lock
3	106-3241	1	Lever-Lock
4	3296-29	1	Nut-Lock, NI



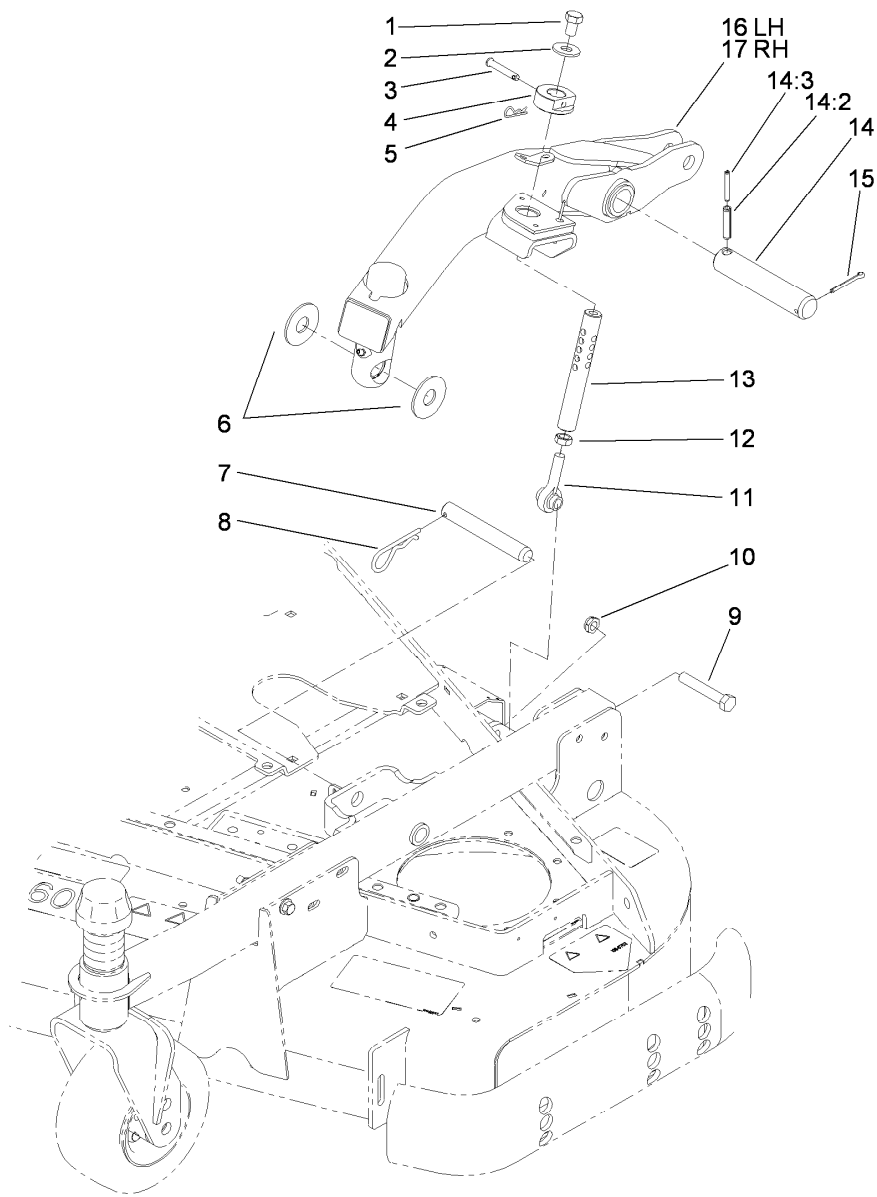
## Gear Box Assembly No. 108-1370

<i>Ref.</i>	<i>Part Number</i>	<i>Qty.</i>	<i>Description</i>
1		1	Gearbox ASM
1	107-2932	1	Cap-Oil
2	107-2933	1	Plug
3	117-9247	2	Seal
4	107-2935	1	Cap-Oil
5	107-2936	1	Plug-Filler, Dipstick



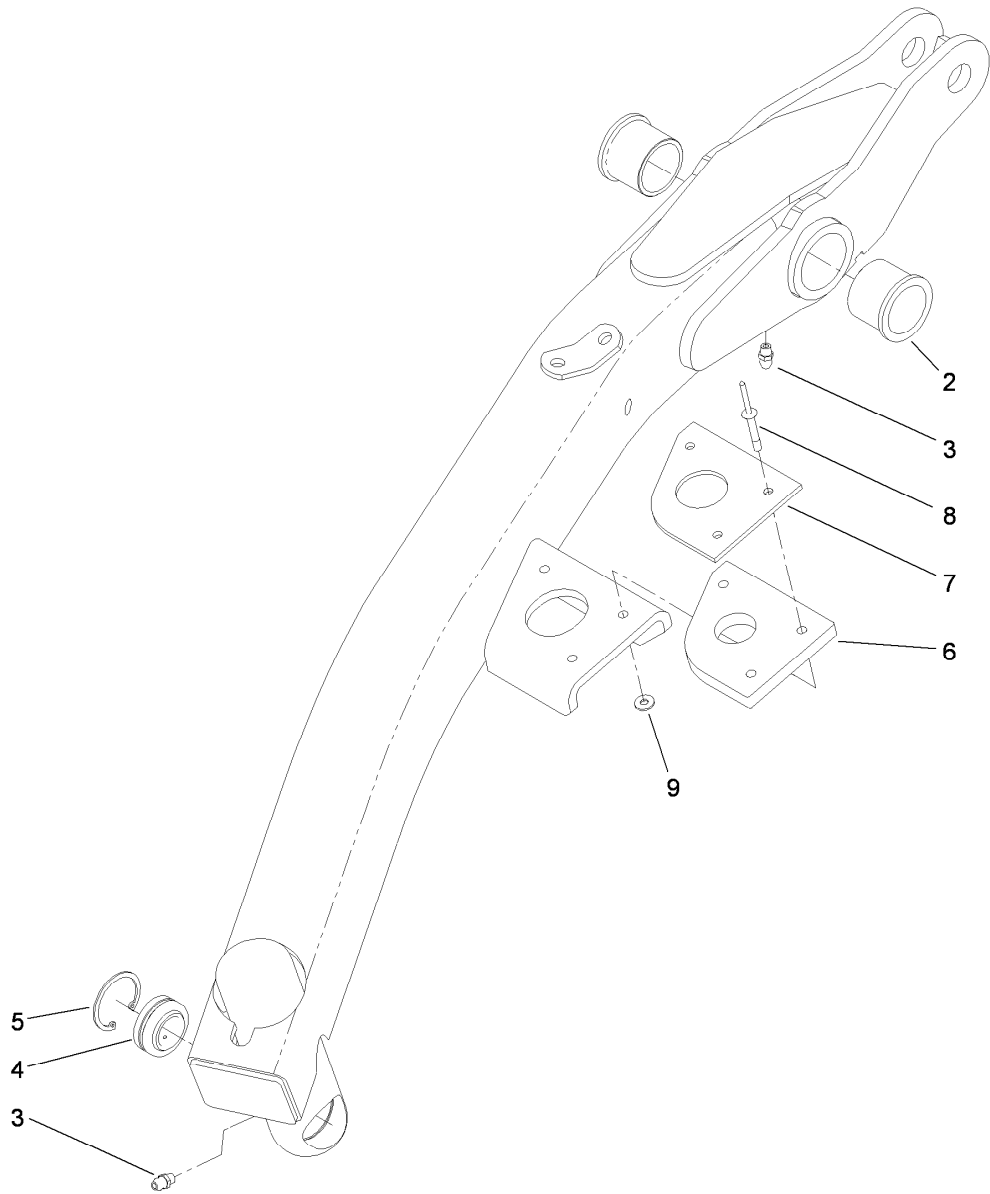
## Drive Shaft Assembly No. 110-4704

<i>Ref.</i>	<i>Part Number</i>	<i>Qty.</i>	<i>Description</i>
1	54-9040	1	Yoke-End
2	54-9180	2	U-Joint Kit
2:1	62-3820	1	Fitting-Grease
3	110-4705	1	Shaft-Yoke, Slip
4	110-4706	1	Tube-Yoke, Slip
4:1	302-58	1	Fitting-Straight
5	54-9090	1	Yoke-End



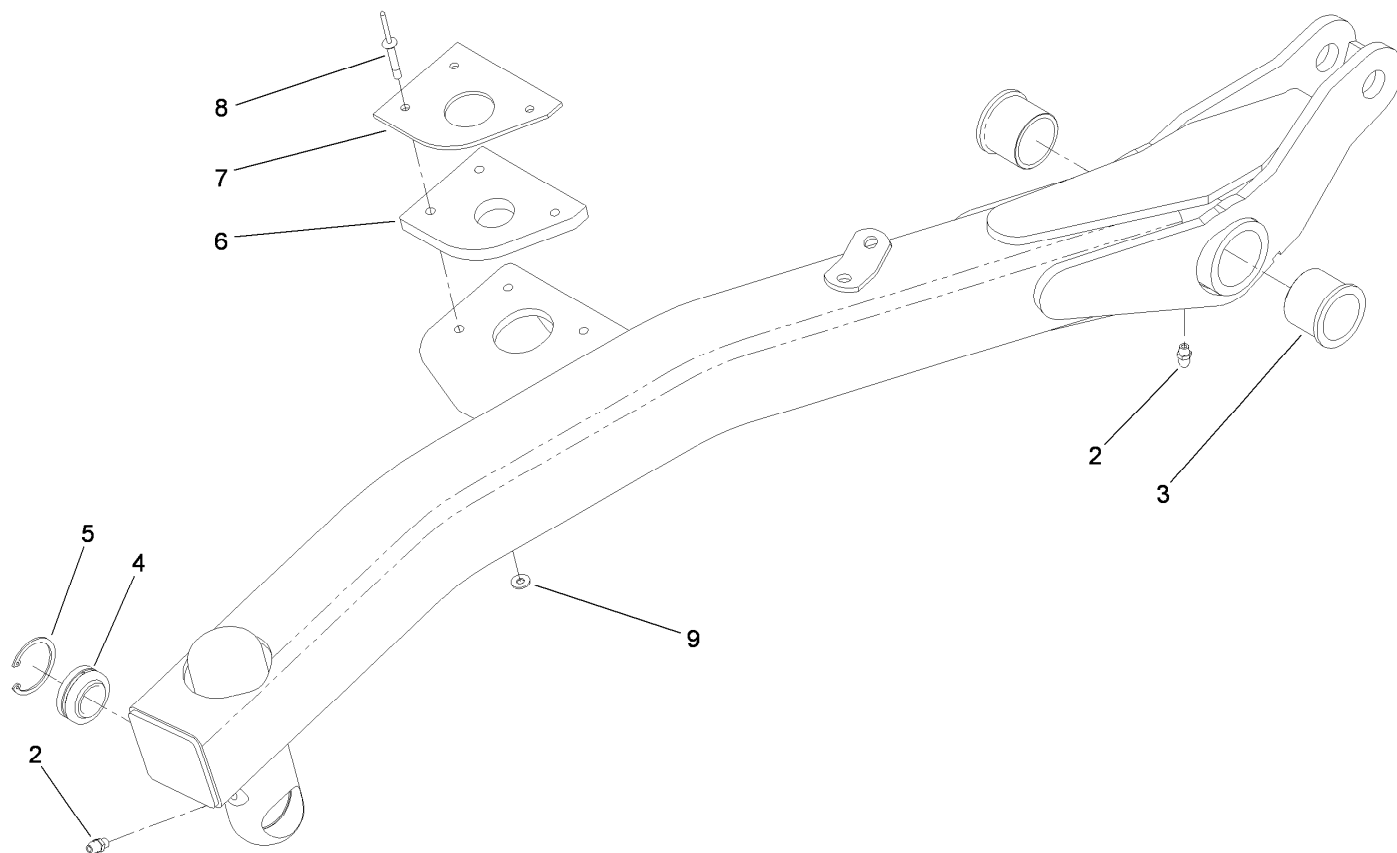
## Lift Arm and Rear Height-of-Cut Assembly

<i>Ref.</i>	<i>Part Number</i>	<i>Qty.</i>	<i>Description</i>	<i>Ref.</i>	<i>Part Number</i>	<i>Qty.</i>	<i>Description</i>
1	3213-20	2	Screw-HH	11	105-2808	2	End-Rod
2	3256-6	2	Washer-Flat	12	3220-5	2	Nut-Jam
3	107-3457	2	Pin-Clevis	13	107-7284	2	Tube-HOC
4	110-0641	2	Collar-HOC	14	98-2330	2	Pivot Pin ASM
5	3290-467	2	Pin-Hair	14:2	32121-67	1	Pin-Spring
6	107-7915	4	Washer-Thrust	14:3	32121-61	1	Pin-Roll
7	107-7904	2	Pin-Clevis	15	3272-24	2	Pin-Cotter
8	3290-256	2	Pin-Hair	16	117-0803	1	LH Lift Arm ASM
9	325-12	2	Screw-HH	17	117-0800	1	RH Lift Arm ASM
10	3296-45	2	Nut-Lock, NI				



## Left Hand Lift Arm Assembly No. 117-0803

<i>Ref.</i>	<i>Part Number</i>	<i>Qty.</i>	<i>Description</i>
2	256-268	2	Bushing
3	302-5	2	Fitting-Grease
4	105-7441	1	Bearing-Spherical
5	32151-34	1	Ring-Retaining
6	119-2200	1	Pad-Rubber, Rear HOC
7	119-2230	1	Pad-Plastic, Rear HOC
8	110-0606	3	Rivet-Blind
9	3269-26	3	Washer-Plain



## Right Hand Lift Arm Assembly No. 117-0800

<i>Ref.</i>	<i>Part Number</i>	<i>Qty.</i>	<i>Description</i>
2	302-5	2	Fitting-Grease
3	256-268	2	Bushing
4	105-7441	1	Bearing-Spherical
5	32151-34	1	Ring-Retaining
6	119-2200	1	Pad-Rubber, Rear HOC
7	119-2230	1	Pad-Plastic, Rear HOC
8	110-0606	3	Rivet-Blind
9	3269-26	3	Washer-Plain

# Attachments and Accessories

## For 30366 60in Side Discharge Mower, Groundsmaster 3320/3280-D Traction Unit

<b>Product Name</b>	<b>Model/Part</b>
High-Speed Blade Tip Kit.....	108-1960
Leaf Mulching Kit .....	108-5272
Blade-Rotary, Standard (20.5).....	110-4701
Blade-Rotary, High Flow (20.5).....	110-4702
Blade-Rotary, Atomic (20.5).....	110-4703
Castor Wheel Kit.....	110-4767
Blade and Belt Kit .....	110-4770
Skid Replacement Kit .....	112-9570
Recycler Kit .....	30348
8in Foam Filled Wheel ASM .....	93-5974

**Notes:**

**Notes:**



**Count on it.**