



**Count on it.**

**Parts Catalog**

**Deluxe Hard Cab**

**Workman® MD/MDX/MDE Utility Vehicle**

**Model No. 07328**

# Ordering Replacement Parts

To order replacement parts, please supply the part number, the quantity, and the description of each part desired.

## Understanding Reference Numbers

Each identified part in an illustration has a reference number. The reference number for a part also appears in the parts list, along with other information about the part.

This catalog uses two special reference number formats, one to indicate parts in a service assembly and another to indicate the quantity of a given part in an illustration.

## Service Assembly Reference Numbers

Parts in service assemblies have reference numbers in the form a:b. The a represents the reference number of the entire service assembly and the b represents a sequential number unique to each part within the service assembly.

For example, a wheel assembly might be identified by reference number 6, the tire by 6:1, the valve by 6:2, and the wheel by 6:3. When you order the assembly identified by reference number 6, you receive all parts identified by reference numbers 6:1, 6:2, and 6:3. However, you may also order any part individually. Reference numbers of this type appear in illustration and in parts lists.

## Reference Numbers Indicating Quantity

In an illustration, if a reference number indicates more than one part, the reference number has the form nX y. The n represents the quantity of the part, the X is the multiplication symbol, and the y represents the reference number.

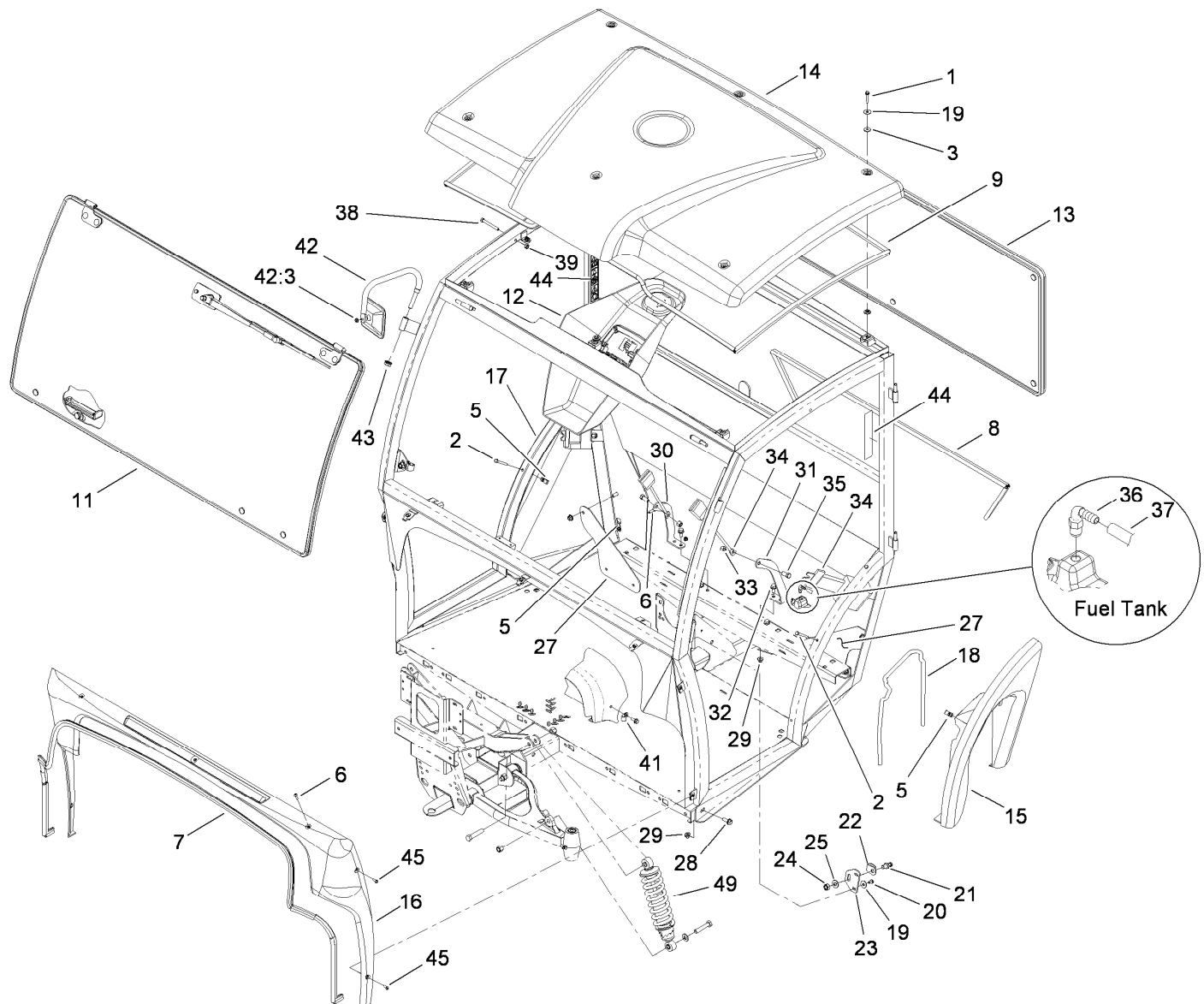
For example, in an illustration, the reference number 2X 37 means that two of the parts identified by reference number 37 are indicated.

# List of Abbreviations

<b>AR:</b> as required	<b>HLH:</b> hex lag head	<b>PTO:</b> power-take-off
<b>ASM:</b> assembly	<b>HOC:</b> height-of-cut	<b>RH:</b> right hand
<b>BBC:</b> blade brake clutch	<b>HSBH:</b> hex socket button head	<b>ROPS:</b> roll-over protection system
<b>CARR:</b> carriage	<b>HSFH:</b> hex socket flat head	<b>SFH:</b> slotted fillister head
<b>CCW:</b> counter clock wise	<b>HSH:</b> hex socket head	<b>SHH:</b> slotted hex head
<b>CW:</b> clockwise	<b>HWH:</b> hex washer head	<b>SHWH:</b> slotted hex washer head
<b>DEG:</b> degrees	<b>HWHTF:</b> hex washer head thread forming	<b>SPH:</b> slotted pan head
<b>ECM:</b> electronic control module	<b>HYD:</b> hydraulic	<b>SQH:</b> square head
<b>EXT:</b> external	<b>LH:</b> left hand	<b>SRH:</b> slotted round head
<b>FH:</b> flat head	<b>NI:</b> nylon insert	<b>STD:</b> standard
<b>GA:</b> gauge	<b>NPTF:</b> national pipe thread fine	<b>TAP:</b> self tapping
<b>HD:</b> heavy-duty	<b>PFH:</b> phillips flat head	<b>TTH:</b> torx truss head
<b>HF:</b> hex flange	<b>PPH:</b> phillips pan head	
<b>HH:</b> hex head	<b>PPHTF:</b> phillips pan head thread forming	
<b>HHF:</b> hex head flange	<b>PRH:</b> phillips round head	
<b>HHFTF:</b> hex head flange thread forming	<b>PTH:</b> phillips truss head	
<b>HJ:</b> hex jam		

# Contents

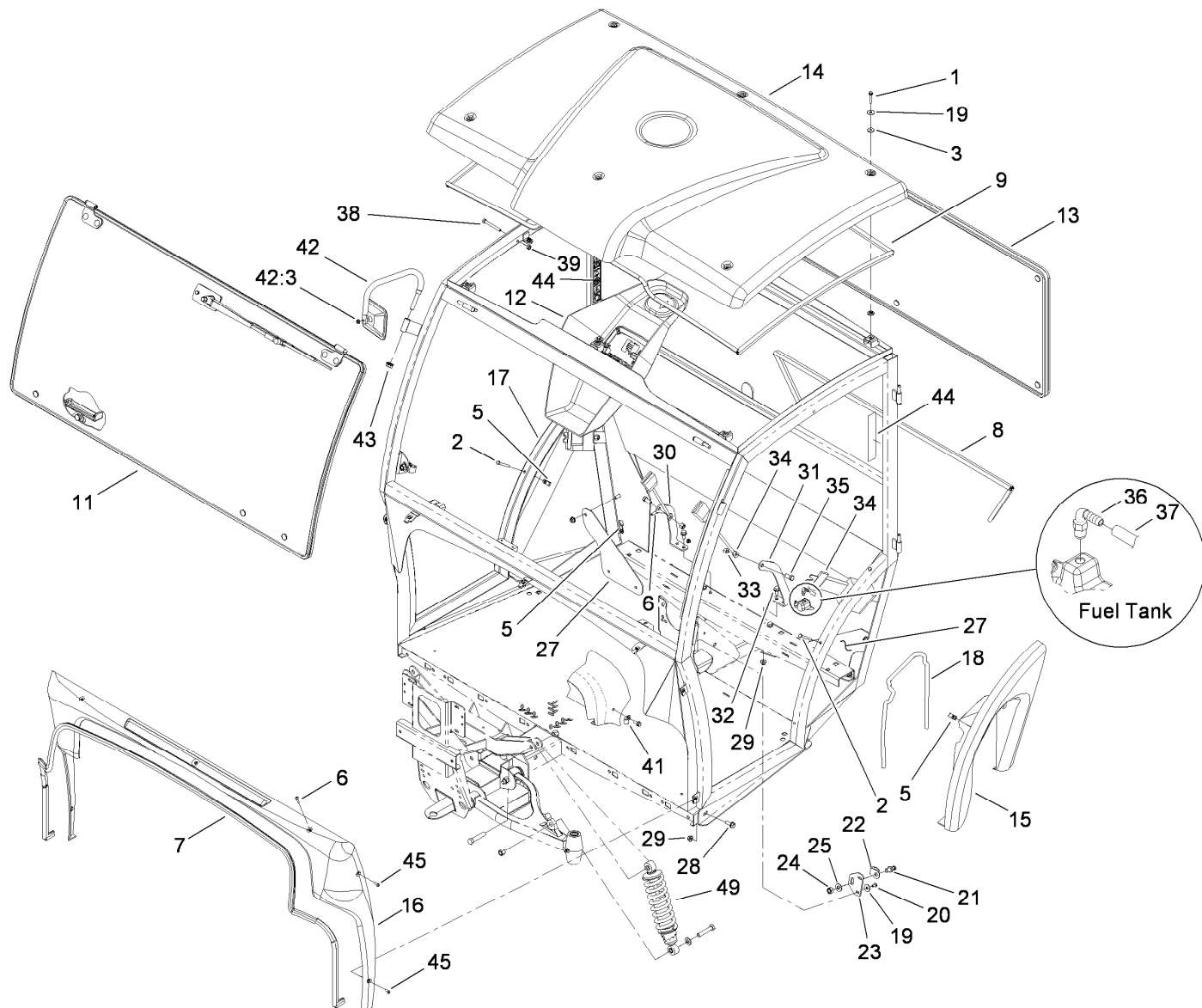
Cab Assembly .....	4
Front Winshield Assembly .....	6
Winshield Glass Kit Assembly No. 115-7930.....	7
Headliner Assembly .....	8
Switch Plate Assembly .....	9
Rear Window Assembly No. 115-7940.....	10



## Cab Assembly

Ref.	Part Number	Qty.	Description	Ref.	Part Number	Qty.	Description
1	94-5781	6	Screw-HHF	20	3234-13	4	Screw-HHF
2	321-15	6	Screw-HH	21	115-5576	2	Striker
3	115-5570	12	Bushing-Thin	22	115-5577	2	Guard-Striker
5	115-5586	25	Nut-Panel, Deep	23	117-2777	2	Plate-Striker
6	3274-65	13	Screw-HSBH	24	115-5579	2	Nut-HH
7	115-7938	1	Trim-Front, Bulb Seal (102In)	25	3256-26	2	Washer-Flat
8	115-7937	1	Trim-Rear, Bulb Seal (64.5In)	27	117-5096	2	Support-Bracket, Rear
9	115-7936	1	Trim-Roof	28	110-5052	10	Screw-HHF
11		1	Front Windshield ASM ●	29	104-8301	18	Nut-Flange, NI
12		1	Headliner ASM ●	30	99-7802-03	1	Anchor-Seat Belt, RH
13	115-7940	1	Rear Window ASM	31	99-7803-03	1	Anchor-Seat Belt, LH
14	115-7673	1	Roof	32	3234-1	4	Screw-HHF
15	115-7697	1	Panel-Tank, LH	33	3296-48	4	Nut-Lock, NI
16	115-7699	1	Panel-Front	34	100-4928	2	Belt-Seat
17	115-7698	1	Panel-Tank, RH	35	324-4	4	Screw-HH
18	115-7939	1	Trim-Tank, Bulb Seal (36In)	36	94-7222	1	Barb-Hose
19	115-5581	10	Washer-Flat	37	108-4582	1	Hose-Fuel
				38	323-12	2	Screw-HH
				39	3217-7	2	Nut-Hex

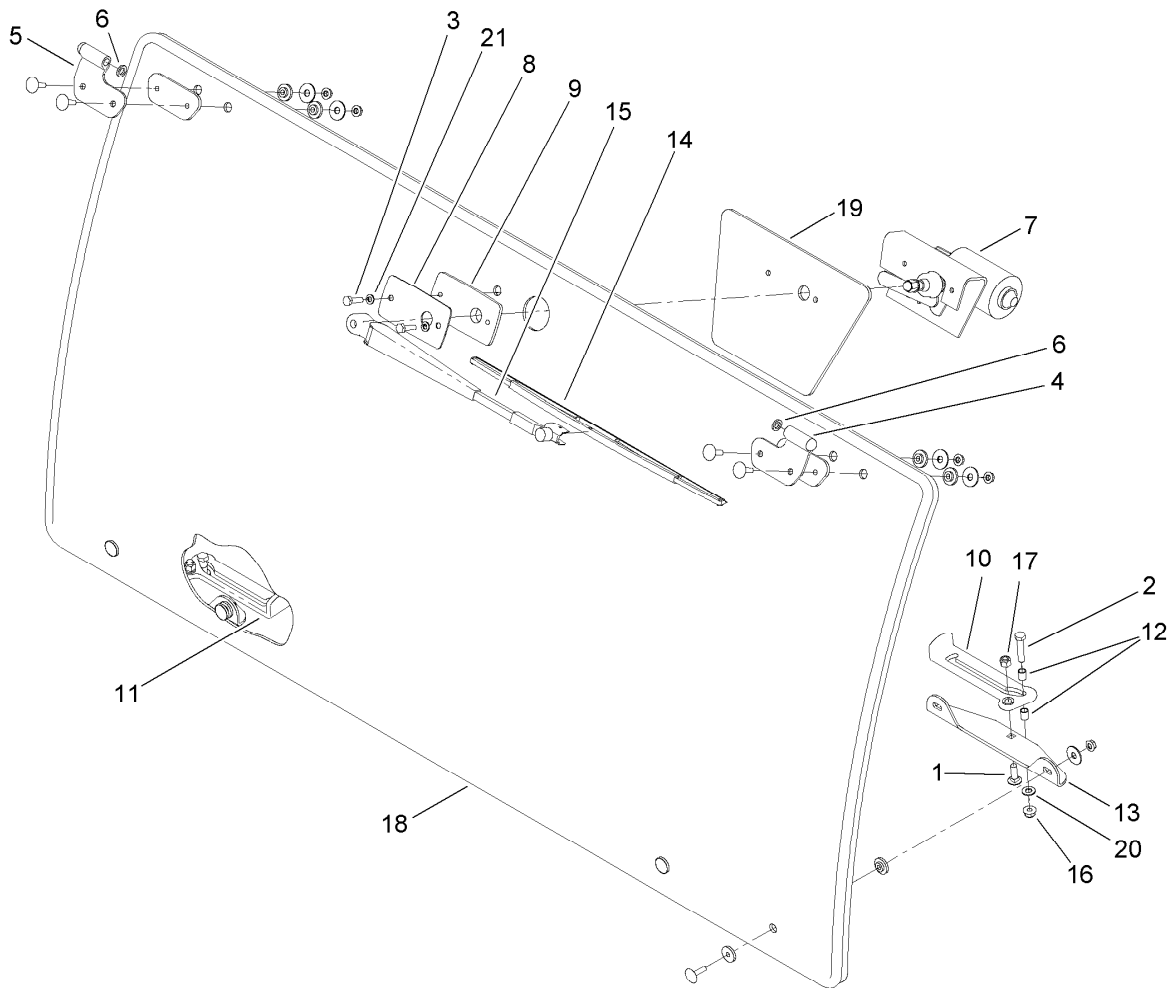
● Not serviced separately



## Cab Assembly (continued)

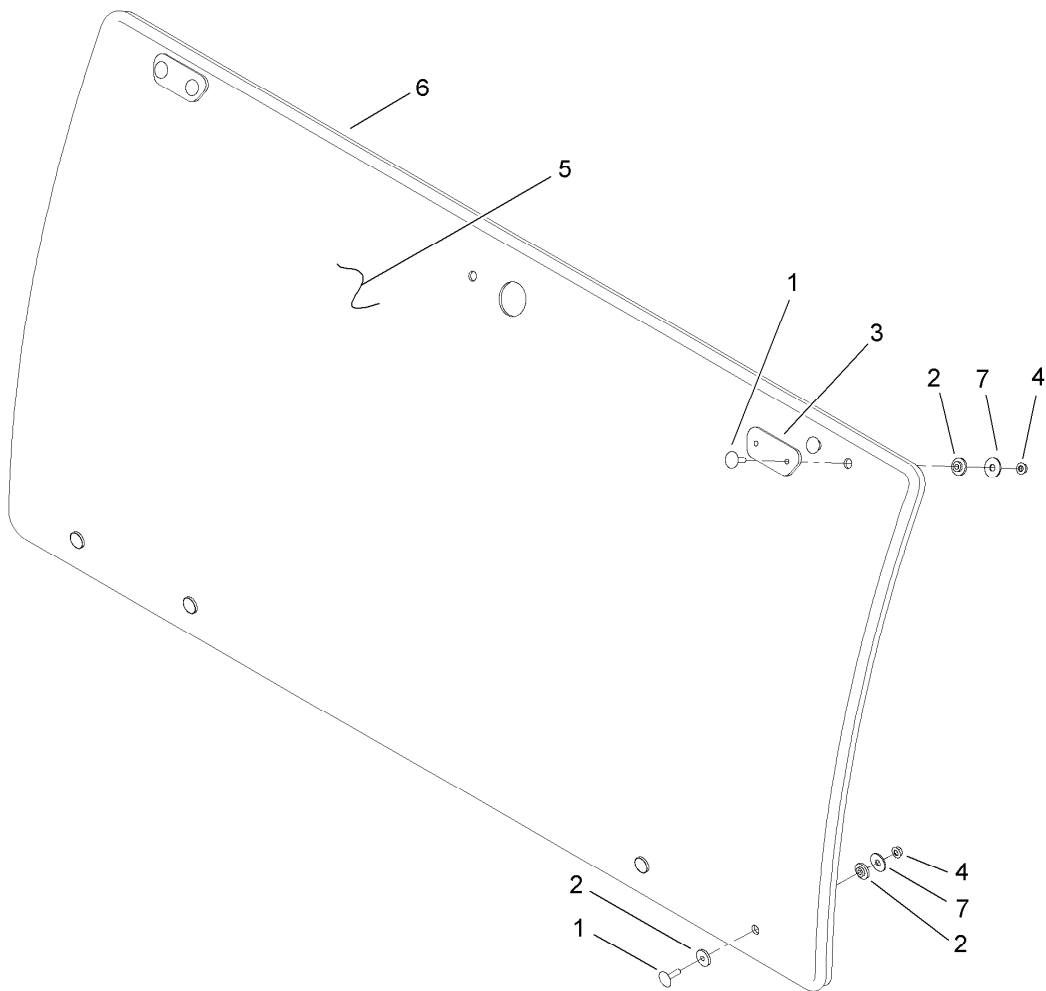
Ref.	Part Number	Qty.	Description	Ref.	Part Number	Qty.	Description
41	2412-93	1	Clamp-R	44	117-4955	2	Decal-Danger, ROPS (Ce)
42	117-4959	2	Mirror And Arm ASM	45	3274-68	4	Screw-HSBH
42:3	32128-10	1	Nut-Lock, HHF	49	117-5073	2	Spring
43	115-5582	2	Nut-Flange, Crimplock				

● Not serviced separately



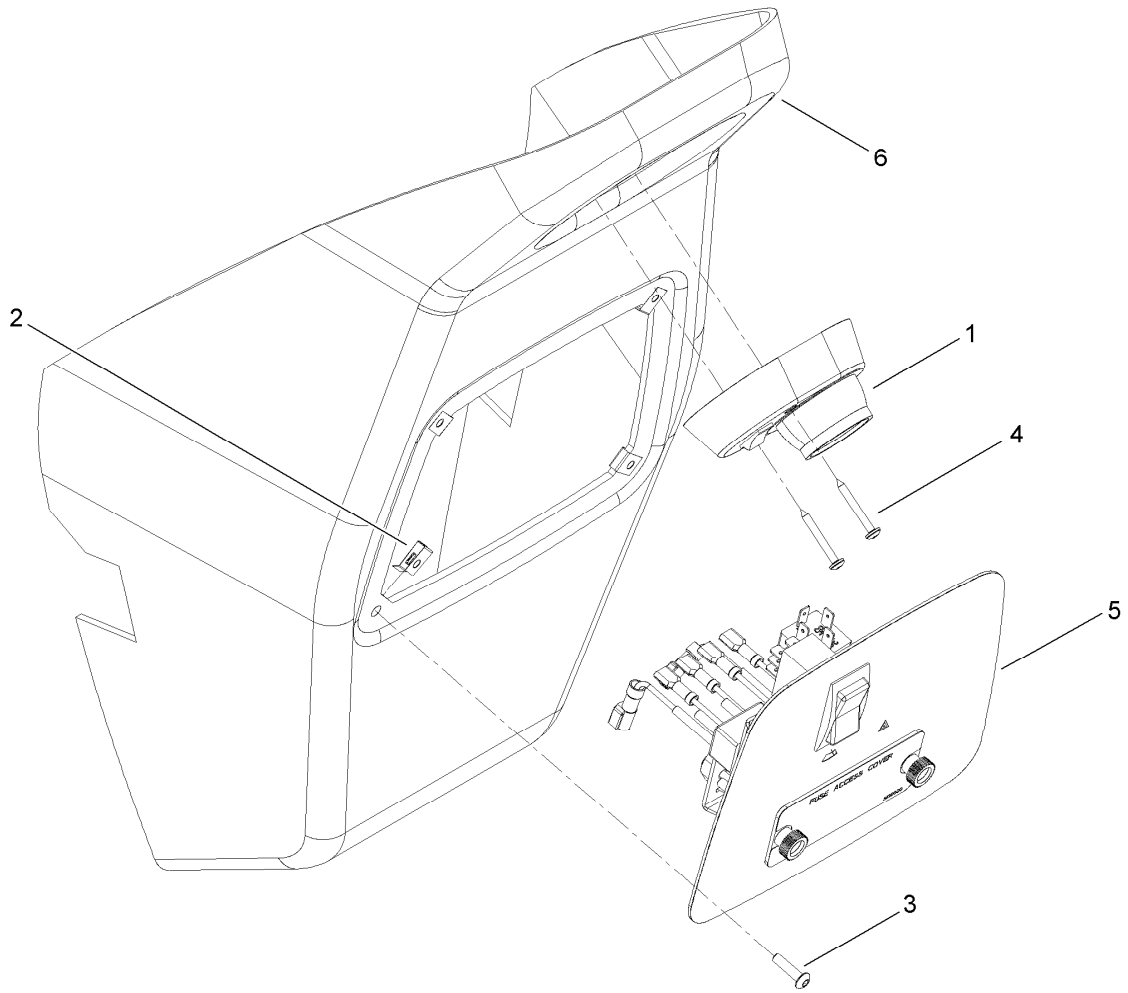
## Front Winshield Assembly

<i>Ref.</i>	<i>Part Number</i>	<i>Qty.</i>	<i>Description</i>
1	3230-2	2	Bolt-CARR
2	322-7	2	Screw-HH
3	329-6	2	Screw-HH
4	115-7688	1	LH Hinge ASM
5	115-7689	1	RH Hinge ASM
6	115-7696	2	Washer-Hinge, Brass
7	115-8831	1	Motor-Wiper
8	115-7933	1	Plate-Mount, Wiper
9	115-7934	1	Bushing-Mount, Windshield
10	115-7694	1	Slider-Window, LH
11	115-7695	1	Slider-Window, RH
12	115-7693	4	Sleeve-Slide, Window
13	115-7692	2	Mount-Window Slider, Front
14	115-7691	1	Blade-Wiper
15	115-7686	1	Arm-Radial
16	104-8300	2	Nut-Flange, NI
17	3296-29	2	Nut-Lock, NI
18	115-7930	1	Winshield Glass Kit
19	115-7935	1	Cover-Motor, Wiper
20	3256-23	2	Washer-Flat
21	3253-3	2	Washer-Lock



## Windshield Glass Kit Assembly No. 115-7930

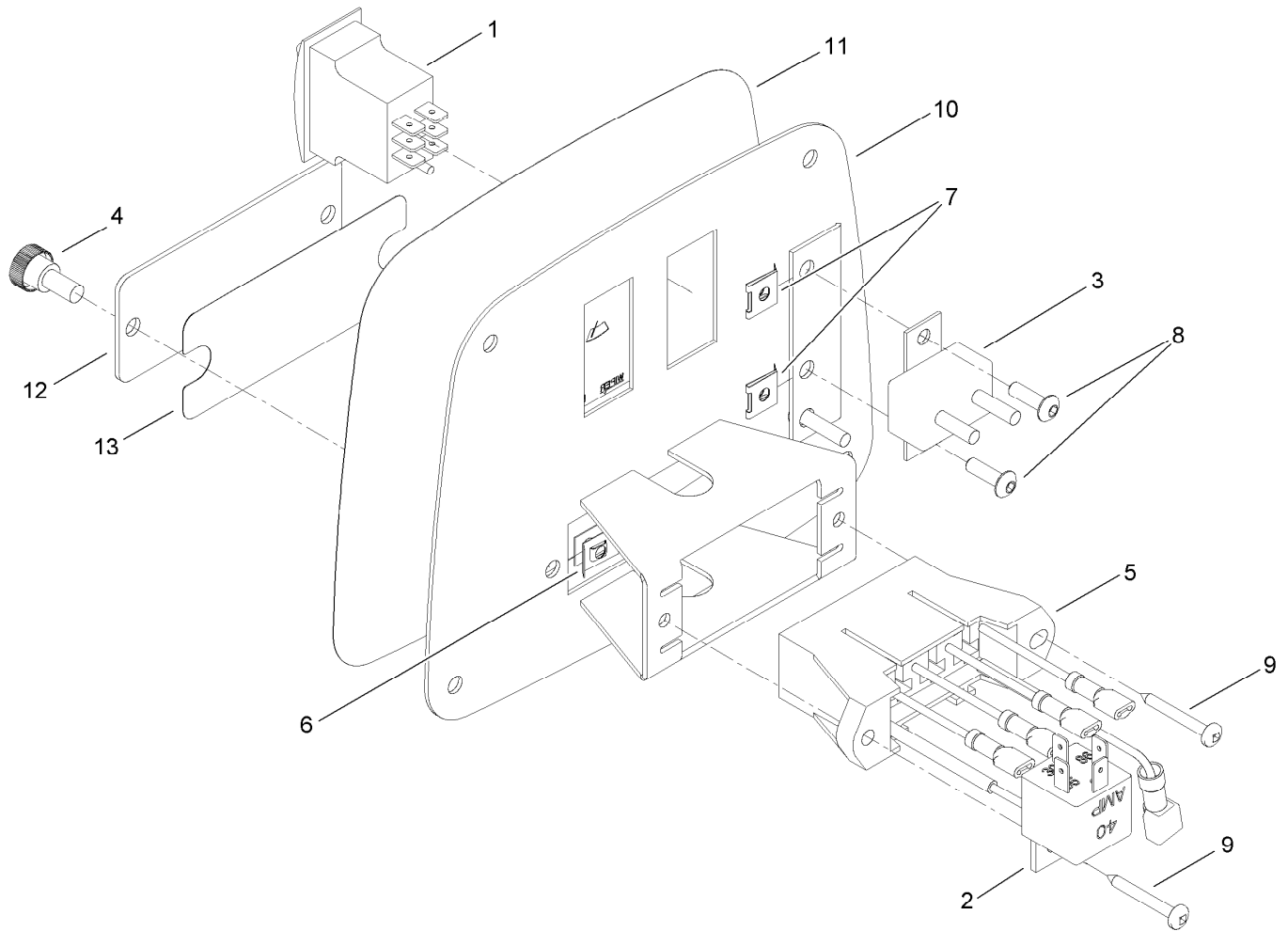
<i>Ref.</i>	<i>Part Number</i>	<i>Qty.</i>	<i>Description</i>
1	115-7685	8	Bolt-Step
2	115-5570	12	Bushing-Thin
3	115-7687	2	Mount-Glass, Bushing (Hinge)
4	115-5572	8	Nut-Flange
5	115-7931	1	Glass-Windshield
6	115-7932	1	Trim-Bulb Seal, Windshield
7	115-5581	4	Washer-Flat



## Headliner Assembly

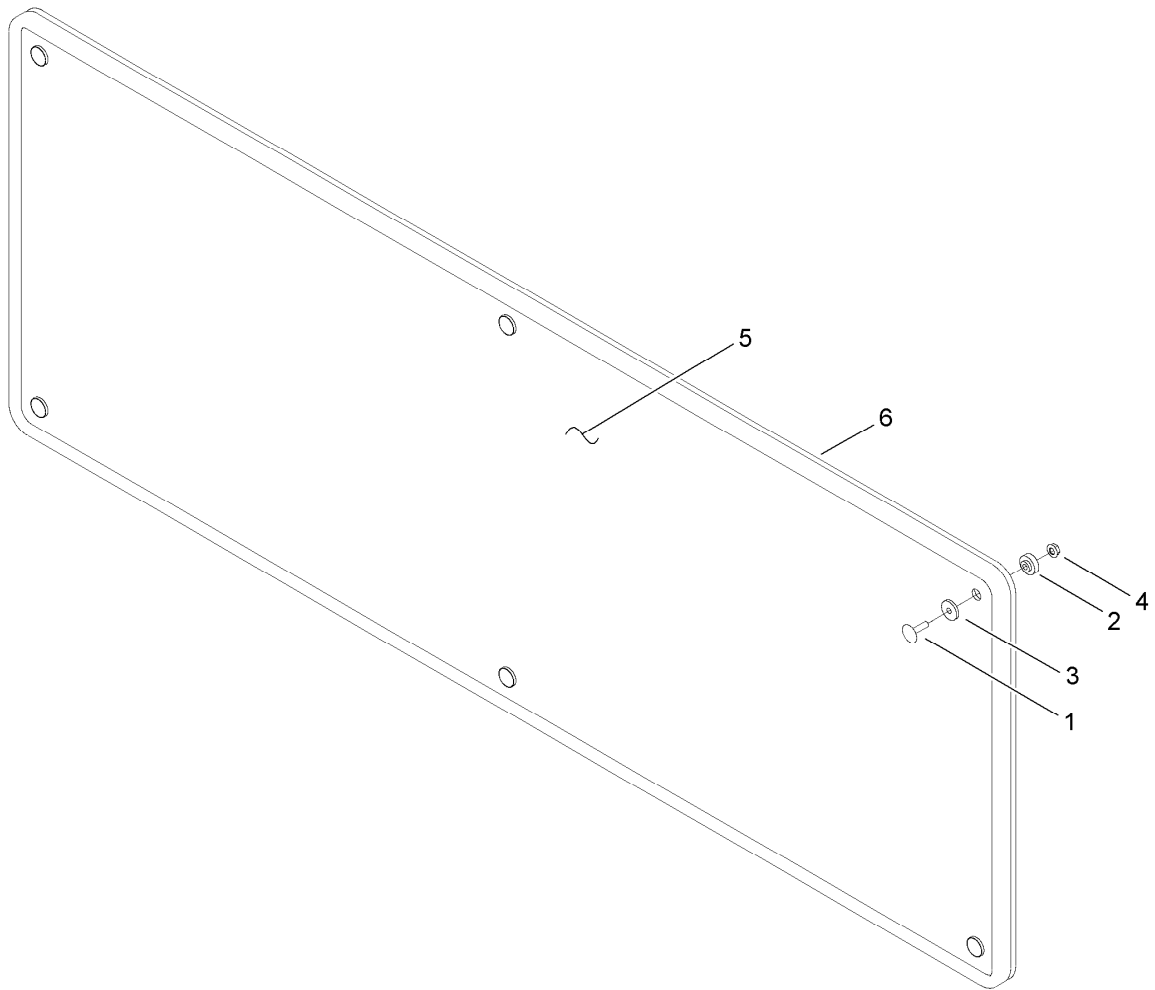
<i>Ref.</i>	<i>Part Number</i>	<i>Qty.</i>	<i>Description</i>
1	115-7946	1	Light-Dome
2	115-7952	4	Nut-Panel
3	104-2408	4	Screw-HSBH
4	115-5594	2	Screw-HSBH
5		1	Switch Plate ASM ●
6	115-7944	1	Headliner

● Not serviced separately



## Switch Plate Assembly

<i>Ref.</i>	<i>Part Number</i>	<i>Qty.</i>	<i>Description</i>
1	115-7955	1	Switch-Momentary
2	115-7956	1	Relay-40 Amp
3	115-7951	1	Circuit Breaker-40 Amp
4	115-5506	2	Knob
5	115-7953	1	Fuse Block ASM
6	115-7952	2	Nut-Panel
7	115-5505	2	Nut-Panel, Spring
8	3274-39	2	Screw-HSBH
9	115-5594	2	Screw-HSBH
10	115-7947	1	Plate-Switch
11	115-7948	1	Decal-Plate, Switch
12	115-7957	1	Cover-Access, Fuse
13	115-7958	1	Decal-Block, Fuse



## Rear Window Assembly No. 115-7940

<i>Ref.</i>	<i>Part Number</i>	<i>Qty.</i>	<i>Description</i>
1	115-7685	6	Bolt-Step
2	115-5574	6	Bushing-Thick
3	115-5570	6	Bushing-Thin
4	115-5572	6	Nut-Flange
5	115-7941	1	Glass-Window, Rear
6	115-7942	1	Trim-Bulb Seal (155In), Rear Window

**Notes:**



**Count on it.**