



WHEEL HORSE[®]
Garden Tractor

36" TILLER

Model No. 79370- 5900001 & Up

Parts Catalog

ORDERING REPLACEMENT PARTS

To order replacement parts, please supply: the part number, the quantity, and the description of each part desired.

Part Description Abbreviations

Part descriptions in this catalog may include the following abbreviations.

Abbreviation	Meaning	Abbreviation	Meaning
AR	as required	HWHTF	hex washer head thread forming
ASM	assembly	INCL	includes
CARR	carriage	LH	left hand
DEG	degrees	PH	pan head
FH	flat head	PPH	Phillips pan head
GA	gauge	PTO	power take off
HF	hex flange	RH	right hand
HFV	hex flange washer	SFH	slotted fillister head
HH	hex head	SH	square head
HHF	hex head flange	SHWH	slotted hex washer head
HHST	hex head self tapping	SPH	slotted pan head
HJ	hex jam	STD	standard
HOC	height-of-cut	TAP	self tapping
HS	hex socket	TH	truss head
HSBH	hex socket button head	TTH	Torx truss head
HSFH	hex socket flat head	WH	wing head
HSH	hex socket head		
HWH	hex washer head		

Important Format Explanations

This catalog uses special formats to convey information in illustrations and parts lists. Specifically, one format is used in conjunction with service assemblies and another with quantities associated with reference numbers.

Service Assemblies

Parts within service assemblies have reference numbers in the form *X:Y*. *X* is the reference number of the service assembly and *Y* is a sequential number unique to each part within the service assembly.

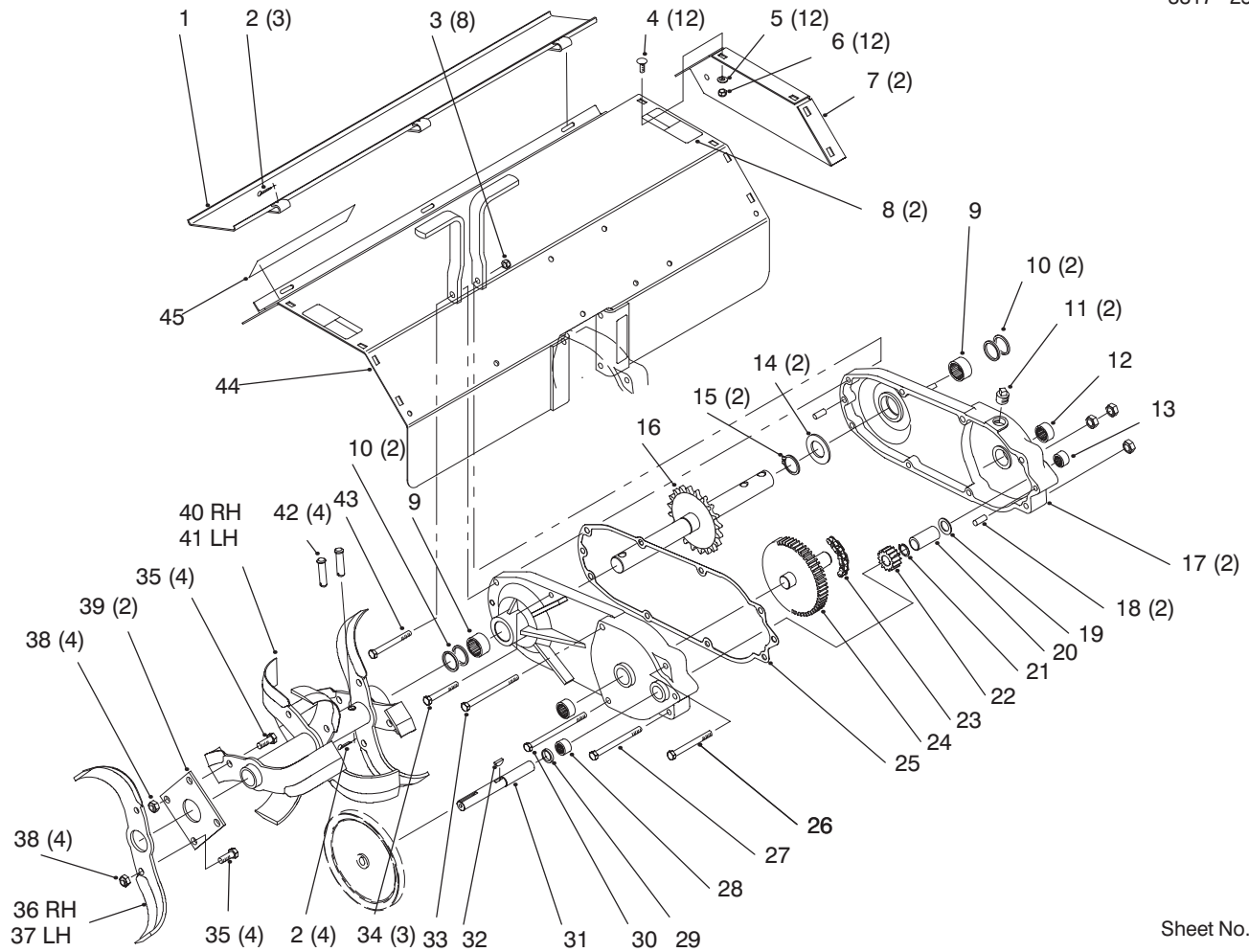
For example, a wheel assembly might be identified by reference number 6, the tire by 6:1, the valve by 6:2, and the wheel by 6:3. When you order the assembly identified by reference number 6, you receive all parts identified by reference numbers 6:1, 6:2, and 6:3. However, you may also order any part individually.

Reference numbers of this type appear in part lists and as callouts in illustrations.

Reference Numbers with Quantities

Illustrations may have a quantity in parentheses next to a reference number, in the form *X (Y)*. *X* is the reference number. *Y* in parentheses is the quantity of the part identified by the reference number.

For example, the illustration callout 4 (2) indicates that two parts are used in that instance.

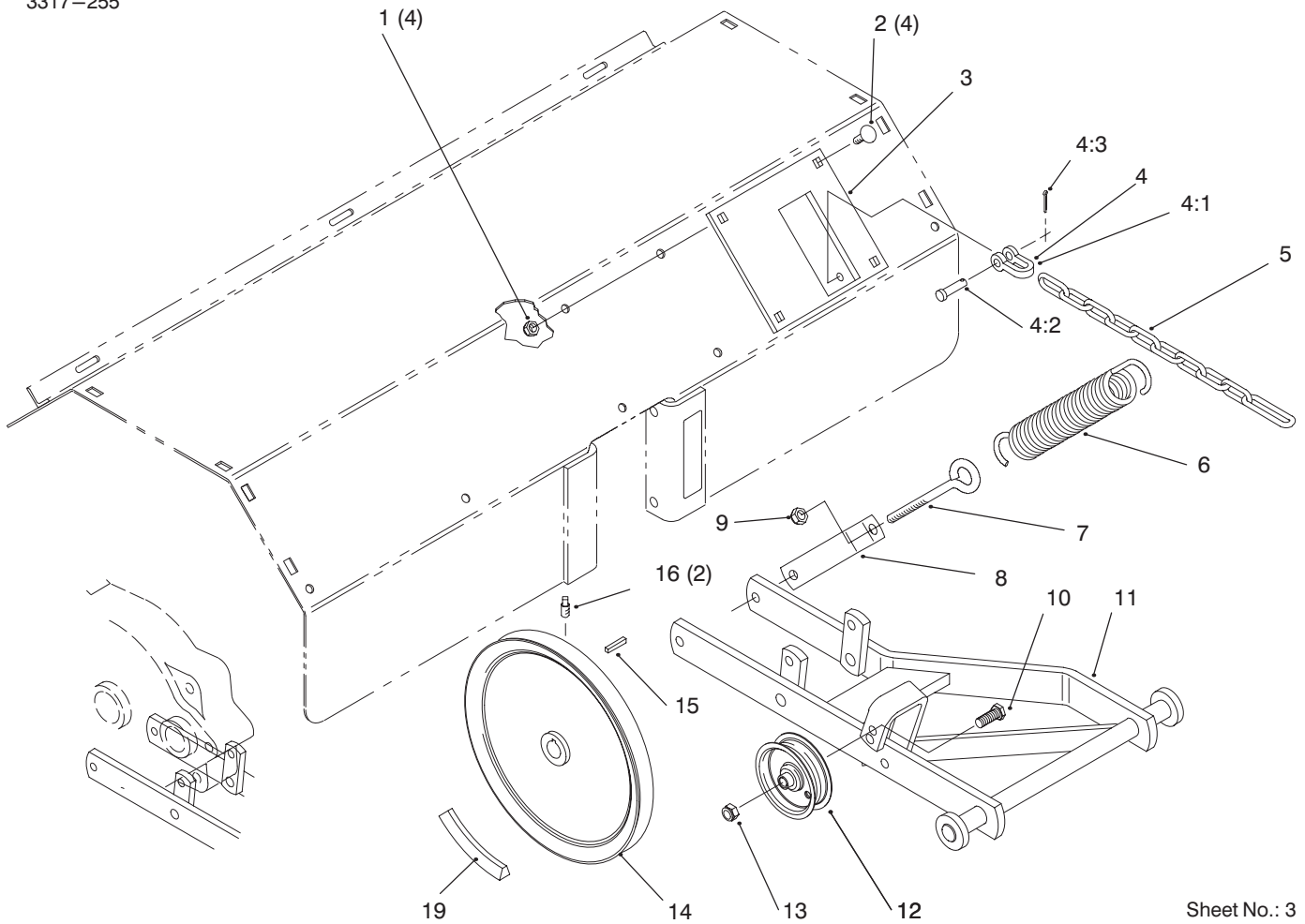


Sheet No.: 2

Guard, Shield, Gear Case & Tines

Ref. No.	Part No.	Description	No. Used
1	93-1609-01	Panel	1
2	3272-11	Pin-Cotter	7
3	3296-39	Nut-Lock	8
4	3230-1	Screw-CARR	12
5	3256-23	Washer-Flat	12
6	3296-29	Nut-Hex Lock	12
7	93-1605-01	Cover-End	2
8	92-7112	Decal-Danger	2
9	6838	Bearing-Needle	2
10	103118	Seal-Oil	4
11	281-3	Plug-Pipe	2
12	1532	Bearing-Needle	2
13	1529	Bearing-Needle	1
14	106011	Washer-Flat	2
15	32120-33	Ring-Retaining	2
16	106009	Shaft/Sprocket Asm	1
17	93-1600-01	Gearcase-Half	2
18	32121-41	Pin-Roll	2
19	1535	Washer-Thrust	1
20	83-3340	Tube-Spacer	1
21	32120-72	Ring-Retaining	1
22	3528	Gear-Pinion	1
23	6848	Chain-Sprocket	1

Ref. No.	Part No.	Description	No. Used
24	106007	Shaft/Gear/Sprocket	1
25	83-3330	Gasket-Transmission	1
26	323-42	Screw-HH	1
27	323-23	Screw-HH	1
28	1540	Bearing-Needle	1
29	100441	Seal-Oil	1
30	323-25	Screw-HH	1
31	104387	Shaft-Input	1
32	3257-5	Key-Woodruff	1
33	323-21	Screw-HH	1
34	323-13	Screw-HH	3
35	324-4	Screw-HH	8
36	92-1653-01	Tine-RH	1
37	93-1604-01	Tine-LH	1
38	3296-48	Nut-Lock	8
39	93-1601-01	Plate-Mounting	2
40	93-1602-01	Tine-Welded RH	1
41	93-1603-01	Tine-Welded LH	1
42	9208	Pin-Clevis	4
43	323-15	Screw-HH	1
44	92-6514-01	Shield / Decal Asm (Incl. Rfe. #8)	1
45	92-8748	Decal-Attachment	1

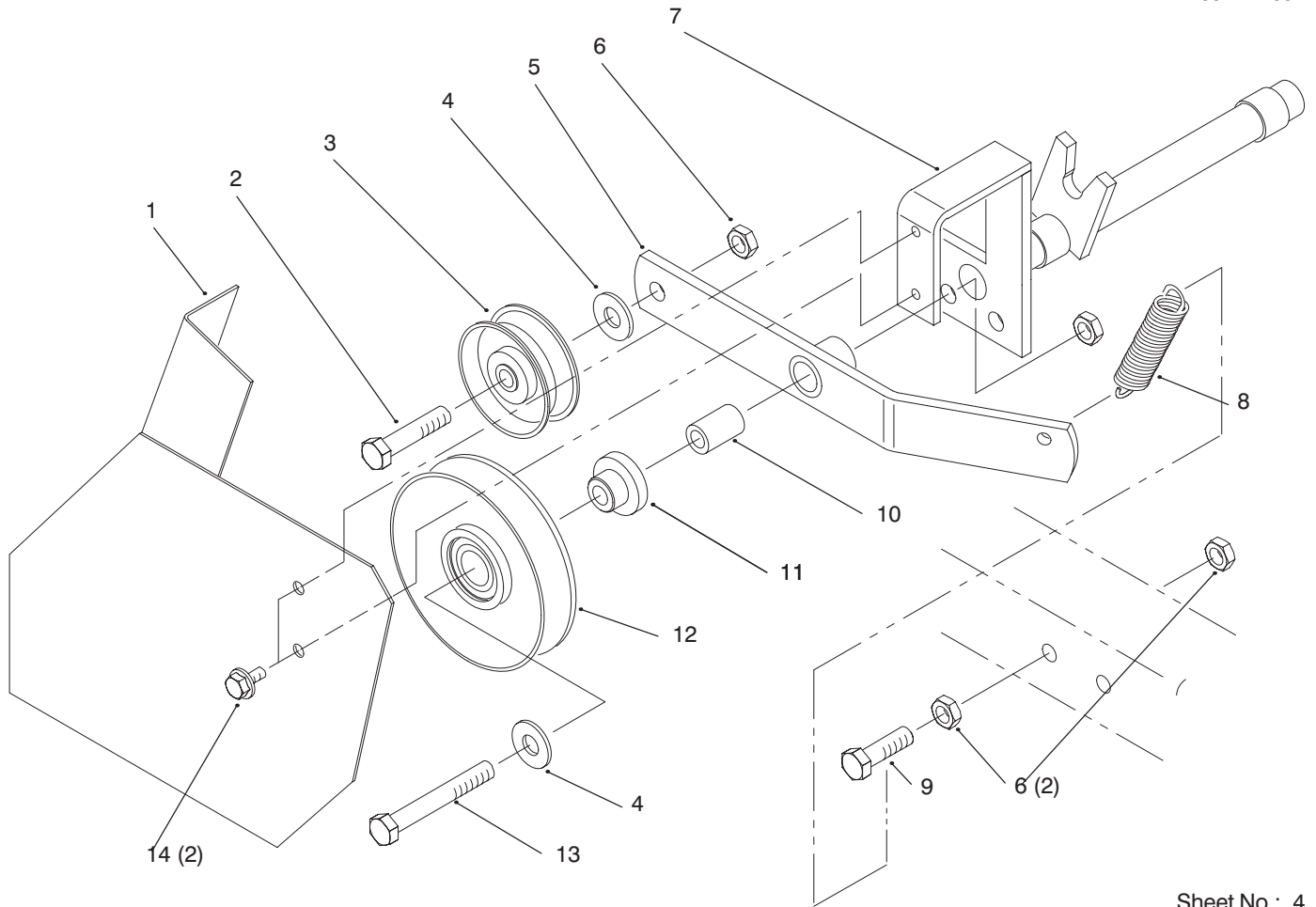


Sheet No.: 3

Hitch, Drive & Idler Pulleys

Ref. No.	Part No.	Description	No. Used
1	3296-29	Nut-Hex Lock	4
2	3230-1	Screw-CARR	4
3	93-1608-01	Plate	1
4	79-2280	Clevis & Pins Asm	1
5	110046	Chain-Lift	1
6	4629	Spring-Extension	1
7	100653	Eyebolt	1
8	93-1606-01	Bracket-Spring	1
9	3296-39	Nut-Lock	1

Ref. No.	Part No.	Description	No. Used
10	911404	Screw-HH	1
11	93-1607-01	Hitch	1
12	92-7104	Pulley-Idler	1
13	32146-2	Nut-Lock	1
14	93-0345	Pulley	1
15	1005	Key-Square	1
16	3242-2	Screw-Sqh Set	2
19	110265	Belt-V	1

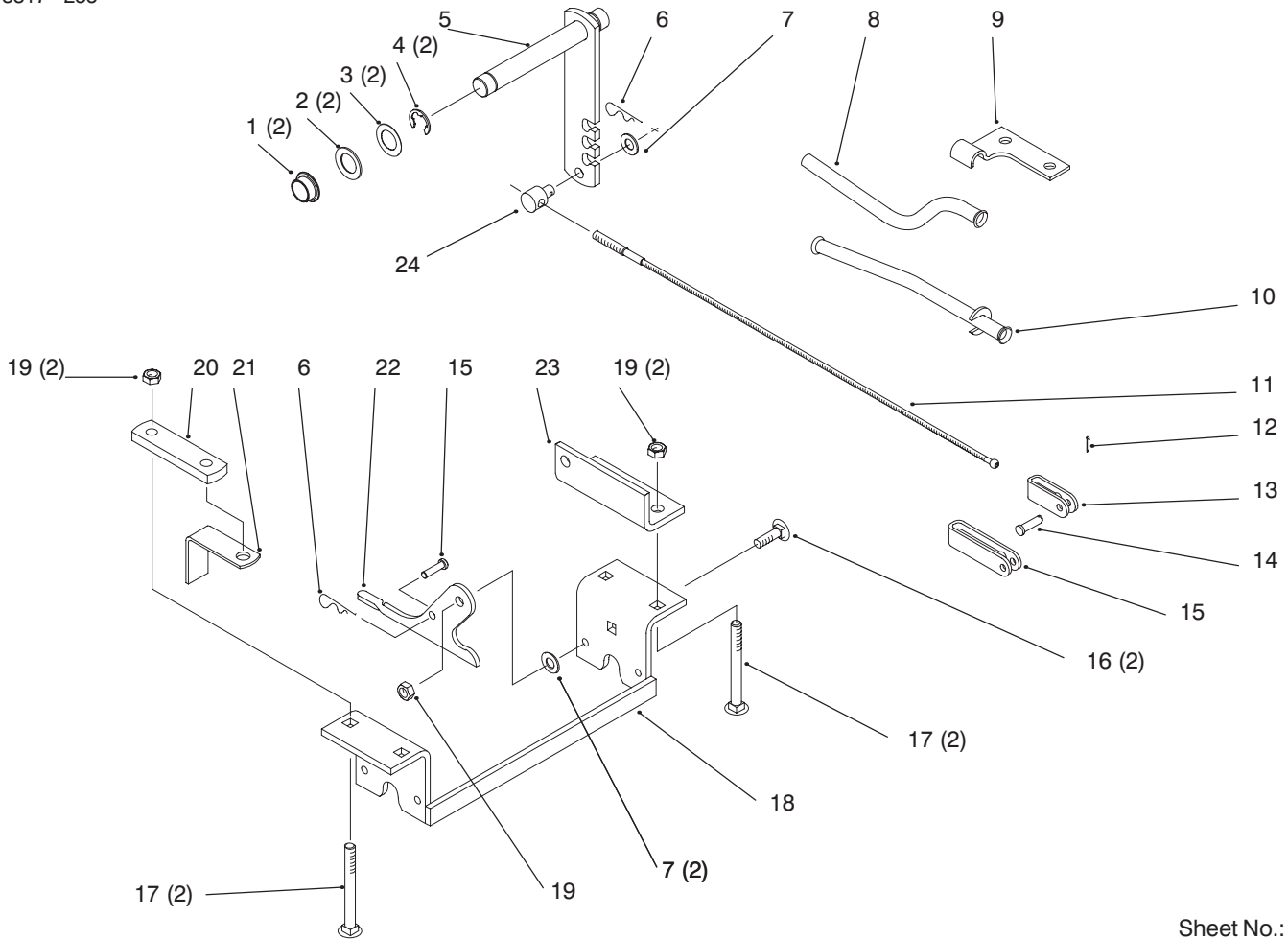


Sheet No.: 4

Mid Hitch Idler Asm

Ref. No.	Part No.	Description	No. Used
1	110039	Guard	1
2	323-9	Screw-HH	1
3	MW8821	Pulley-Idler	1
4	3256-4	Washer-Flat	2
5	92-4082	Arm	1
6	32146-2	Nut-Lock	4
7	110008	Support	1

Ref. No.	Part No.	Description	No. Used
8	6135	Spring-Extension	1
9	323-7	Screw-HH	1
10	102025	Spacer	1
11	83-2950	Spacer	1
12	92-7103	Pulley-Idler	1
13	323-13	Screw-HH	1
14	9266714	Screw-HWHTF	2



Sheet No.: 5

Rear Axle Mount Hitch

Ref. No.	Part No.	Description	No. Used
1	108519	Bushing	2
2	1278	Washer-Shim	2
3	5210	Washer-Shim	2
4	5618	E-Ring	2
5	110044	Lever	1
6	9335044	Hairpin	3
7	3256-24	Washer-Flat	3
8	108315	Tube-Conduit, 8 Speed	1
9	108903	Clamp-Conduit	1
10	105845	Conduit Tube, Hydro	1
11	108144	Cable-Control	1
12	3272-1	Pin-Cotter	1

Ref. No.	Part No.	Description	No. Used
13	108145	Clevis-Short, 8 Speed	1
14	9321204	Pin-Clevis	3
15	108143	Clevis-Long, Hydro	1
16	3231-2	Screw-CARR	2
17	3231-11	Screw-CARR	4
18	104659	Bracket	1
19	32146-2	Nut-Lock	6
20	3697	Link-Bracket	1
21	7713	Spacer-Bracket	2
22	104657	Handle-Latch	2
23	108485	Link-Bracket	1
24	104524	Trunnion	1

TORO PART NUMBER INDEX

3317-255

Part No.	Description	Pg. No.	Ref. No.	Qty.	Part No.	Description	Pg. No.	Ref. No.	Qty.
1005	Key-Square	2	15	1	93-1601-01	Plate-Mounting	1	39	2
1278	Washer-Shim	4	2	2	93-1602-01	Tine-Welded RH	1	40	1
1529	Bearing_Needle	1	13	1	93-1603-01	Tine-Welded LH	1	41	1
1532	Bearing-Needle	1	12	2	93-1604-01	Tine-LH	1	37	1
1535	Washer-Thrust	1	19	1	93-1605-01	Cover-End	1	7	2
1540	Bearing-Needle	1	28	1	93-1606-01	Bracket-Spring	2	8	1
3528	Gear-Pinion	1	22	1	93-1607-01	Hitch	2	11	1
3697	Link-Bracket	4	20	1	93-1608-01	Plate	2	3	1
4629	Spring-Extension	2	6	1	93-1609-01	Panel	1	1	1
5210	Washer-Shim	4	3	2	104659	Bracket	4	18	1
5618	E-Ring	4	4	2	105845	Conduit Tube	4	10	1
6135	Spring-Extension	3	8	1	108315	Tube-Conduit	4	8	1
6838	Bearing-Needle	1	9	2	108485	Link-Bracket	4	23	1
6848	Chain-Sprocket	1	23	1	108903	Clamp-Conduit	4	9	1
7713	Spacer-Bracket	4	21	2	110008	Support	3	7	1
9208	Pin-Clevis	1	42	4	110039	Guard	3	1	1
100441	Seal-Oil	1	29	1	110044	Lever	4	5	1
100653	Eyebolt	2	7	1	281-3	Plug-Pipe	1	11	2
102025	Spacer	3	10	1	323-7	Screw-HH	3	9	1
103118	Seal-Oil	1	10	4	323-9	Screw-HH	3	2	1
104387	Shaft-Input	1	31	1	323-13	Screw-HH	3	13	1
104524	Trunnion	4	24	1	323-13	Screw-HH	1	34	3
104657	Handle-Latch	4	22	2	323-15	Screw-HH	1	43	1
106007	Shaft/Gear/Sprocket	1	24	1	323-21	Screw-HH	1	33	1
106009	Shaft/Sprocket	1	16	1	323-23	Screw-HH	1	27	1
106011	Washer-Flat	1	14	2	323-25	Screw-HH	1	30	1
108143	Clevis-Long	4	15	1	323-42	Screw-HH	1	26	1
108144	Cable-Control	4	11	1	324-4	Screw-HH	1	35	8
108145	Clevis-Short	4	13	1	3230-1	Screw-CARR	2	2	4
108519	Bushing	4	1	2	3230-1	Screw-CARR	1	4	12
110046	Chain-Lift	2	5	1	3231-2	Screw-CARR	4	16	2
110265	Belt-V	2	19	1	3231-11	Screw-CARR	4	17	4
9114044	Screw-HH	2	10	1	3242-2	Screw-Sqh Set	2	16	2
9266714	Screw-HWHTF	3	14	2	3256-4	Washer-Flat	3	4	2
9321204	Pin-Clevis	4	14	3	3256-23	Washer-Flat	1	5	12
9335044	Hairpin	4	6	3	3256-24	Washer-Flat	4	7	3
MW8821	Pulley-Idler	3	3	1	3257-5	Key-Woodruff	1	32	1
79-2280	Clevis & Pins Asm	2	4	1	3272-1	Pin-Cotter	4	12	1
83-2950	Spacer	3	11	1	3272-11	Pin-Cotter	1	2	7
83-3330	Gasket-Transmission	1	25	1	3296-29	Nut-Hex Lock	2	1	4
83-3340	Tube-Spacer	1	20	1	3296-29	Nut-Hex Lock	1	6	12
92-1653-01	Tine-RH	1	36	1	3296-39	Nut-Lock	1	3	8
92-4082	Arm	3	5	1	3296-39	Nut-Lock	2	9	1
92-6514-01	Shield / Decal Asm	1	44	1	3296-48	Nut-Lock	1	38	8
92-7103	Pulley-Idler	3	12	1	32120-33	Ring-Retaining	1	15	2
92-7104	Pulley-Idler	2	12	1	32120-72	Ring-Retaining	1	21	1
92-7112	Decal-Danger	1	8	2	32121-41	Pin-Roll	1	18	2
92-8748	Decal-Attachment	1	45	1	32146-2	Nut-Lock	3	6	4
93-0345	Pulley	2	14	1	32146-2	Nut-Lock	2	13	1
93-1600-01	Gearcase-Half	1	17	2	32146-2	Nut-Lock	4	19	6

*Not Illustrated

