



Wheel Horse[®]
Lawn And Garden Tractor
**38" Side Discharge
& Recycler[®]
Cutting Units**

Model No. 78216-5900001-
6900001 & Up
Model No. 78226-5900001-
6900001 & Up

**ONLY COPY
DO NOT REMOVE**
Tech. Publications

Parts Catalog

ORDERING REPLACEMENT PARTS

To order replacement parts, please supply: the part number, the quantity, and the description of each part desired.

Accessories

Description	Model / Parts No.	Description	Model / Parts No.
-------------	-------------------	-------------	-------------------

..

Part Description Abbreviations

Part descriptions in this catalog may include the following abbreviations.

Abbreviation	Meaning	Abbreviation	Meaning
AR	as required	HWHTF	hex washer head
ASM	assembly		thread forming
CARR	carriage	INC	incorporated
DEG	degrees	LH	left hand
FH	flat head	PH	pan head
GA	gauge	PPH	Phillips pan head
HF	hex flange	PTO	power take off
HFV	hex flange washer	RH	right hand
HH	hex head	SFH	slotted fillister head
HHF	hex head flange	SH	square head
HHST	hex head self tapping	SHWH	slotted hex washer head
HJ	hex jam	SPH	slotted pan head
HOC	height-of-cut	STD	standard
HS	hex socket	TAP	self tapping
HSBH	hex socket button head	TH	truss head
HSFH	hex socket flat head	TTH	Torx truss head
HSH	hex socket head	WH	wing head
HWH	hex washer head		

Important Format Explanations

This catalog uses special formats to convey information in illustrations and parts lists. Specifically, one format is used in conjunction with service assemblies and another with quantities associated with reference numbers.

Service Assemblies

Parts within service assemblies have reference numbers in the form X:Y. X is the reference number of the service assembly and Y is a sequential number unique to each part within the service assembly.

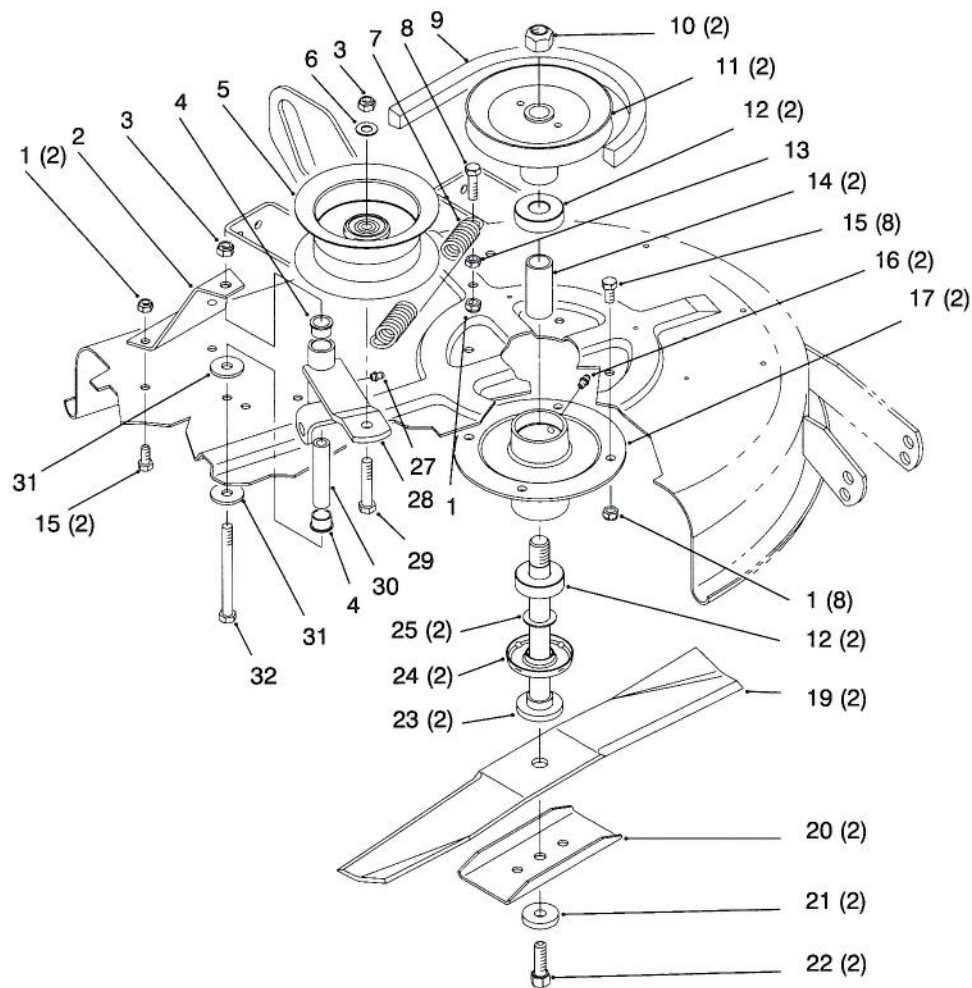
For example, a wheel assembly might be identified by reference number 6, the tire by 6:1, the valve by 6:2, and the wheel by 6:3. When you order the assembly identified by reference number 6, you receive all parts identified by reference numbers 6:1, 6:2, and 6:3. However, you may also order any part individually.

Reference numbers of this type appear in part lists and as callouts in illustrations.

Reference Numbers with Quantities

Illustrations may have a quantity in parentheses next to a reference number, in the form $X (Y)$. X is the reference number. Y in parentheses is the quantity of the part identified by the reference number.

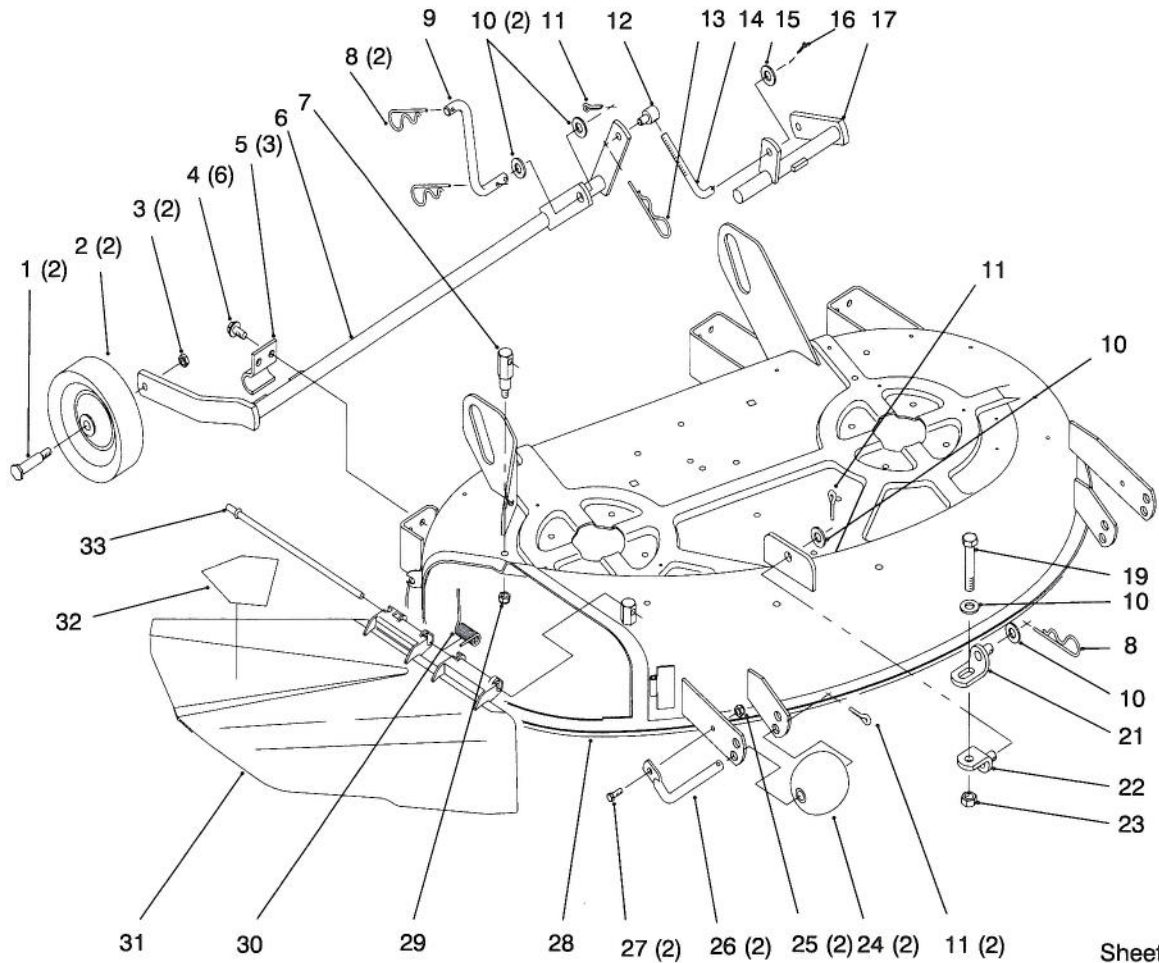
For example, the illustration callout 4 (2) indicates that two parts are used in that instance.



Sheet No.: 2

Blade, Spindle, Belt And Idler Pulley

Ref. No.	Part No.	Description	No. Used	Ref. No.	Part No.	Description	No. Used
1	3296-29	Nut-Lock	11	19	57-4700	Blade (Model No. 78126)	2
2	78-8091-03	Brace	1	19	14-7799	Kit-Blade (Model No. 78226 Only)	2
3	3296-39	Nut-Lock	2	20	80-0510-03	Blade-Stiffener (Model No. 78226)	2
4	109859	Bushing	2	21	112843	Washer (Model No. 78126)	2
5	92-7082	Pulley-Idler	1	21	3290-465	Washer (Model No. 78226)	2
6	3256-24	Washer-Flat	1	22	26-0671	Bolt-Blade	2
7	78-6210	Spring-Extension	1	23	80-4351	Shaft-Spindle	2
8	322-6	Screw-Hex. Hd.	1	24	80-4370	Shield-Bearing	2
9	79-5980	"V" Belt	1	25	80-4390	Spacer-Hardened	2
10	9150074	Nut-Hex	2	27	302-26	Fitting-Grease	1
11	92-7081	Pulley	2	28	78-3370-03	Arm	1
12	79-1090	Bearing-Ball	4	29	323-10	Screw-Hex. Hd.	1
13	3217-6	Nut-Hex	1	30	109950	Spacer	1
14	79-2780	Spacer	2	31	2844	Washer-Flat	2
15	322-3	Screw-Hex. Hd.	10	32	323-16	Screw-Hex. Hd.	1
16	302-16	Fitting-Grease	2				
17	79-1050-03	Housing-Spindle	2				

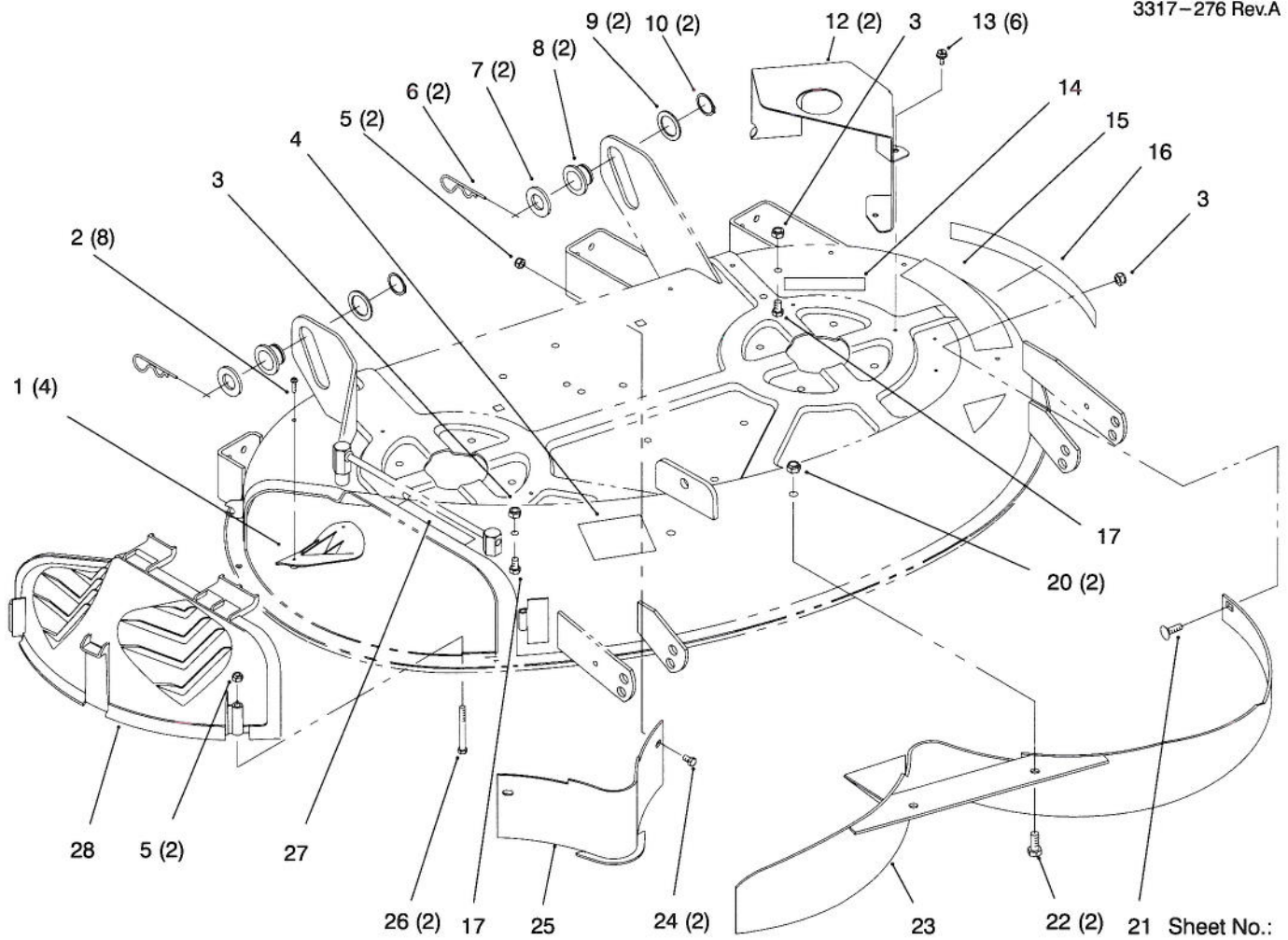


Sheet No.: 3

Gage Wheels, Deck And Side Discharge Deflector

Ref. No.	Part No.	Description	No. Used
1	5188	Screw-Hex. Soc. Hd.	2
2	110506	Wheel-Gage	2
3	32146-2	Nut-Lock	2
4	9267154	Screw	6
5	78-6400-03	Clamp	3
6	78-8011-03	Shaft	1
7	92-7063	Pivot Post-Rear	1
8	9335064	Hairpin-Cotter	3
9	78-8071	Link-Rear	1
10	3256-26	Washer-Flat	5
11	3272-21	Pin-Cotter	4
12	110656	Trunnion	1
13	9335044	Hairpin	1
14	121010	Rod-Lift	1
15	3256-24	Washer-Flat	1
16	3272-6	Pin-Cotter	1

Ref. No.	Part No.	Description	No. Used
17	92-7073-03	Shaft	1
19	325-13	Screw-Hex. Hd.	1
21	86-9240	Bracket	1
22	86-9250	Bracket	1
23	3218-5	Nut-Jam	1
24	29-4820	Roller	2
25	3296-42	Nut-Lock	2
26	118960	Shaft-Roller	2
27	321-4	Screw-Hex. Hd.	2
28	92-6834-01	Asm-Decal	1
29	3296-39	Nut-Lock	1
30	57-6950	Spring-Torsion Deflector	1
31	93-0317	Deflector Asm 38"	1
32	93-1122	Decal-Danger	1
33	57-4380	Rod-Hinge Deflector	1



Belt Covers, Recycler Cover, Kickers And Baffles

Ref. No.	Part No.	Description	No. Used
1	76-2160	Plate-Kicker (Model No. 78226 Only)	4
2	32144-111	Screw-Pan Hd.	8
3	3296-29	Nut-Lock	3
4	117137	Decal-Routing	1
5	3296-42	Nut-Lock	4
6	9335074	Cotter-Hairpin	2
7	3256-28	Washer-Flat	2
8	78-7340	Roller-Lift	2
9	9202394	Washer	2
10	32151-29	Ring-Ext Snap	2
12	78-6840-03	Cover-Belt	2
13	32104-76	Screw-Self TAP	6
15	93-7110	Decal-Danger (Model No. 78216)	1
15	92-7111	Decal-Danger (Model No. 78226)	1
16	92-9520	Decal-Deck	

Ref. No.	Part No.	Description	No. Used
17	322-1	(Model No. 78226) Screw-Hex. Hd.	1
20	3296-39	Nut-Lock	2
21	322-1	Screw-Hex. Hd. (Model No. 78216 Only)	1
21	3230-1	Screw-CARR (Model No. 78226 Only)	1
22	323-5	Screw-Hex. Hd. (Model No. 78226 Only)	2
23	79-1600-03	Baffle (Model No. 78226 Only)	1
24	321-4	Screw-Hex. Hd.	2
25	79-1640-03	Baffle (Model No. 78226 Only)	1
26	321-14	Screw-Hex. Hd.	2
27	92-7109	Decal-Danger	1
28	88-4430	Recycler Cover (Model No. 78226 Only)	1

TORO PART NUMBER INDEX

3317-276 Rev.A

Part No.	Description	Pg. Ref. No. No. Qty.	Part No.	Description	Pg. Ref. No. No. Qty.
2844	Washer-Flat	1 31 2	92-7063	Pivot Post-Rear	2 7 1
5188	Screw-Hex. Soc. Hd.	2 1 2	92-7073-03	Shaft	2 17 1
109859	Bushing	1 4 2	92-7081	Pulley	1 11 2
109950	Spacer	1 30 1	92-7082	Pulley-Idler	1 5 1
110506	Wheel-Gage	2 2 2	92-7109	Decal-Danger	3 27 1
110656	Trunnion	2 12 1	92-7111	Decal-Danger	3 15 1
112843	Washer (Model No. 78126)	1 21 2	92-9520	Decal-Deck	3 16 1
117137	Decal-Routing	3 4 1	93-0317	Deflector Asm 38"	2 31 1
118960	Shaft-Roller	2 26 2	93-0322	Decal-Attach-A-Matic	3 11 2
121010	Rod-Lift	2 14 1	93-1122	Decal-Danger	2 32 1
9150074	Nut-Hex	1 10 2	93-7110	Decal-Danger	3 15 1
9202394	Washer	3 9 2	302-16	Fitting-Grease	1 16 2
9267154	Screw	2 4 6	302-26	Fitting-Grease	1 27 1
9335044	Hairpin	2 13 1	321-4	Screw-Hex. Hd.	3 24 2
9335064	Hairpin-Cotter	2 8 3	321-4	Screw-Hex. Hd.	2 27 2
9335074	Cotter-Hairpin	3 6 2	321-14	Screw-Hex. Hd.	3 26 2
14-7799	Kit-Blade	1 19 2	322-1	Screw-Hex. Hd.	3 17 2
26-0671	Bolt-Blade	1 22 2	322-1	Screw-Hex. Hd.	3 21 1
29-4820	Roller	2 24 2	322-3	Screw-Hex. Hd.	1 15 10
57-4380	Rod- Hinge Deflector	2 33 1	322-6	Screw-Hex. Hd.	1 8 1
57-4700	Blade (Model No. 78126)	1 19 2	323-5	Screw-Hex. Hd.	3 22 2
57-6950	Spring-Torsion Deflector	2 30 1	323-10	Screw-Hex. Hd.	1 29 1
76-2160	Plate-Kicker	3 1 4	323-16	Screw-Hex. Hd.	1 32 1
78-3370-03	Arm	1 28 1	325-13	Screw-Hex. Hd.	2 19 1
78-6210	Spring-Extension	1 7 1	3217-6	Nut-Hex	1 13 1
78-6400-03	Clamp	2 5 3	3218-5	Nut-Jam	2 23 1
78-6840-03	Cover-Belt	3 12 2	3230-1	Screw-CARR	3 21 1
78-7340	Roller-Lift	3 8 2	3256-24	Washer-Flat	1 6 1
78-8011-03	Shaft	2 6 1	3256-24	Washer-Flat	2 15 1
78-8071	Link-Rear	2 9 1	3256-26	Washer-Flat	2 10 5
78-8091-03	Brace	1 2 1	3256-28	Washer-Flat	3 7 2
79-1050-03	Housing-Spindle	1 17 2	3272-6	Pin-Cotter	2 16 1
79-1090	Bearing-Ball	1 12 4	3272-21	Pin-Cotter	2 11 4
79-1600-03	Baffle	3 23 1	3290-465	Washer (Model No. 78226)	1 21 2
79-1640-03	Baffle	3 25 1	3296-29	Nut-Lock	1 1 11
79-2780	Spacer	1 14 2	3296-29	Nut-Lock	3 3 3
79-5980	V Belt	1 9 1	3296-39	Nut-Lock	1 3 2
80-0510-03	Blade-Stiffener	1 20 2	3296-39	Nut-Lock	3 20 2
80-4351	Shaft-Spindle	1 23 2	3296-39	Nut-Lock	2 29 1
80-4370	Shield-Bearing	1 24 2	3296-42	Nut-Lock	3 5 4
80-4390	Spacer-Hardened	1 25 2	3296-42	Nut-Lock	2 25 2
86-9240	Bracket	2 21 1	32104-76	Screw-Self TAP	3 13 6
86-9250	Bracket	2 22 1	32144-111	Screw-Pan Hd.	3 2 8
88-4430	Recycler Cover	3 28 1	32146-2	Nut-Lock	2 3 2
92-6834-01	Asm-Decal	2 28 1	32151-29	Ring-Ext Snap	3 10 2

*Not Illustrated