



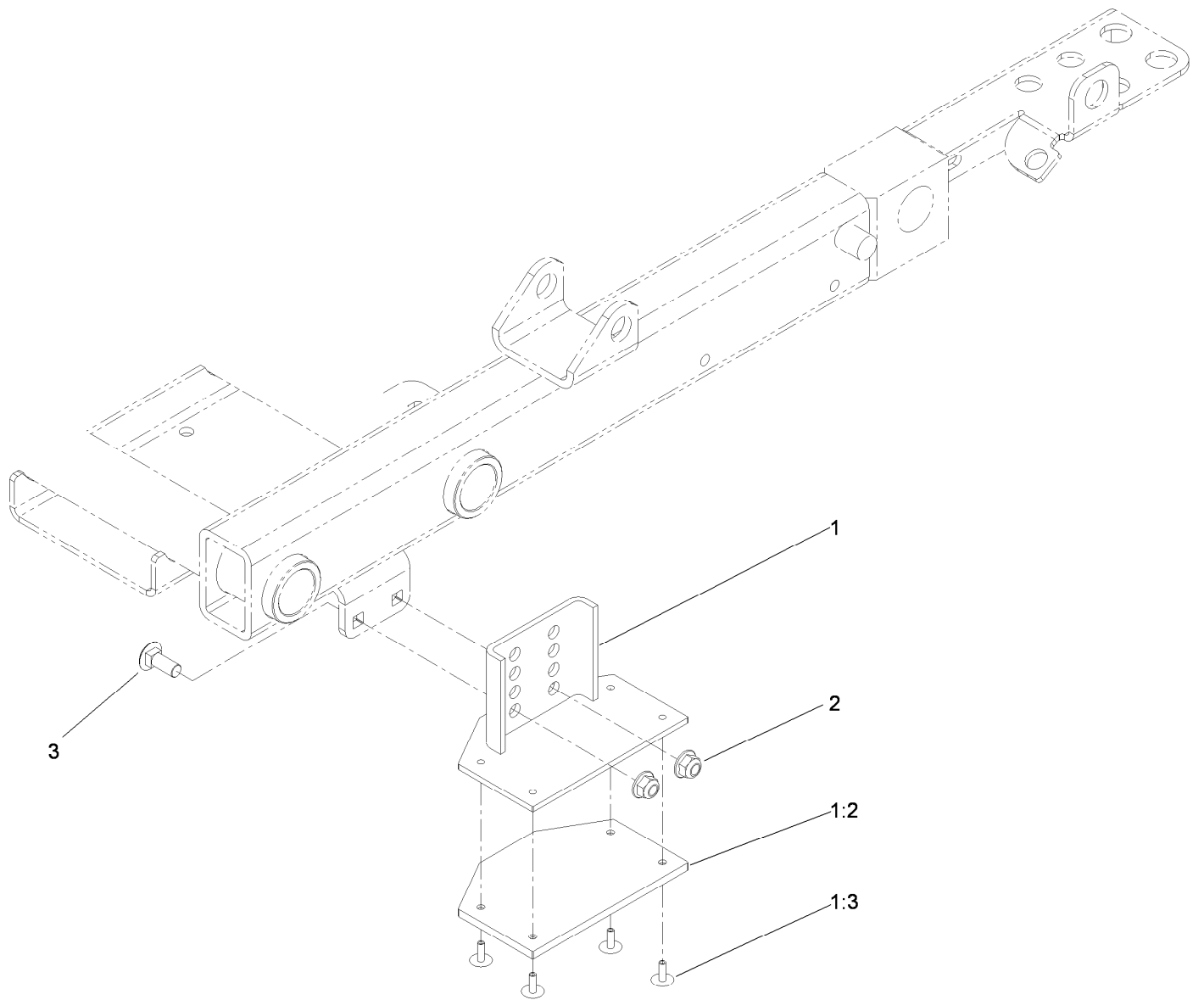
**Count on it.**

**Parts Catalog**

**Roller Tipper Kit**

**DPA Cutting Unit for Reelmaster® 3100-D  
Traction Unit**

**Model No. 119-0635**



## Roller Tipper Kit No. 119-0635

| <i>Ref.</i> | <i>Part Number</i> | <i>Qty.</i> | <i>Description</i>  |
|-------------|--------------------|-------------|---------------------|
| 1           | 117-0972           | 1           | Tipper Stop ASM     |
| 1:2         | 117-0971           | 1           | Plate-Stop, Plastic |
| 1:3         | 3269-18            | 4           | Rivet-Pop           |
| 2           | 104-8301           | 2           | Nut-Flange, NI      |
| 3           | 3231-2             | 2           | Screw-CARR          |