



**Count on it.**

**Parts Catalog**

**22in Recycler<sup>®</sup> Lawn Mower**

Model No. 20352—Serial No. 290000001 and Up

# Ordering Replacement Parts

To order replacement parts, please supply the part number, the quantity, and the description of each part desired.

## Understanding Reference Numbers

Each identified part in an illustration has a reference number. The reference number for a part also appears in the parts list, along with other information about the part.

This catalog uses two special reference number formats, one to indicate parts in a service assembly and another to indicate the quantity of a given part in an illustration.

## Service Assembly Reference Numbers

Parts in service assemblies have reference numbers in the form a:b. The a represents the reference number of the entire service assembly and the b represents a sequential number unique to each part within the service assembly.

For example, a wheel assembly might be identified by reference number 6, the tire by 6:1, the valve by 6:2, and the wheel by 6:3. When you order the assembly identified by reference number 6, you receive all parts identified by reference numbers 6:1, 6:2, and 6:3. However, you may also order any part individually. Reference numbers of this type appear in illustration and in parts lists.

## Reference Numbers Indicating Quantity

In an illustration, if a reference number indicates more than one part, the reference number has the form nX y. The n represents the quantity of the part, the X is the multiplication symbol, and the y represents the reference number.

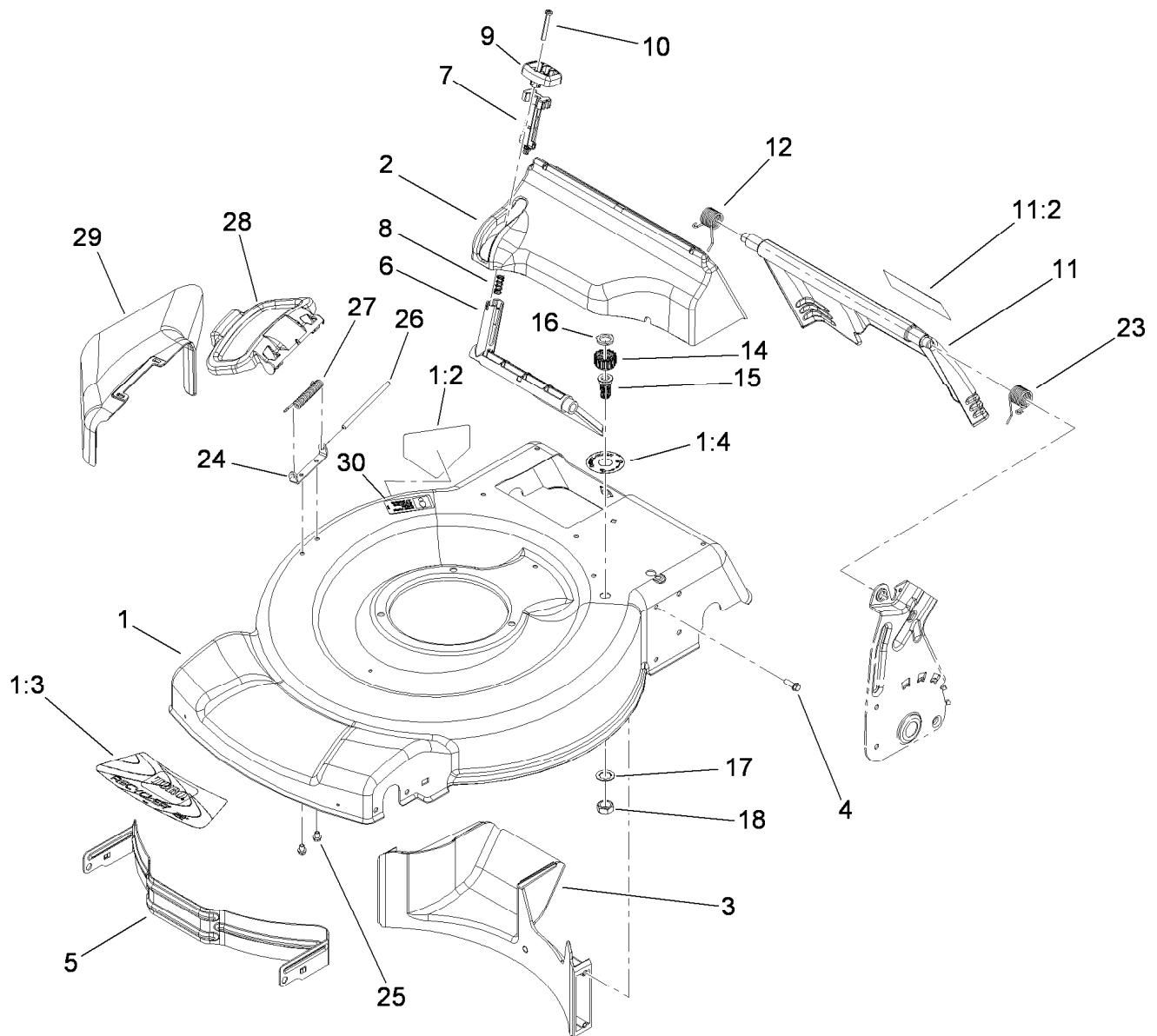
For example, in an illustration, the reference number 2X 37 means that two of the parts identified by reference number 37 are indicated.

# List of Abbreviations

<b>AR:</b> as required	<b>HSBH:</b> hex socket button head	<b>SFH:</b> slotted fillister head
<b>ASM:</b> assembly	<b>HSFH:</b> hex socket flat head	<b>SHH:</b> slotted hex head
<b>BBC:</b> blade brake clutch	<b>HSH:</b> hex socket head	<b>SHWH:</b> slotted hex washer head
<b>CARR:</b> carriage	<b>HWH:</b> hex washer head	<b>SPH:</b> slotted pan head
<b>CCW:</b> counter clock wise	<b>HWTF:</b> hex washer head thread forming	<b>SQH:</b> square head
<b>CW:</b> clockwise	<b>HYD:</b> hydraulic	<b>SRH:</b> slotted round head
<b>DEG:</b> degrees	<b>LH:</b> left hand	<b>STD:</b> standard
<b>ECM:</b> electronic control module	<b>NI:</b> nylon insert	<b>TAP:</b> self tapping
<b>EXT:</b> external	<b>NPTF:</b> national pipe thread fine	<b>TTH:</b> torx truss head
<b>FH:</b> flat head	<b>PFH:</b> phillips flat head	
<b>GA:</b> gauge	<b>PPH:</b> phillips pan head	
<b>HD:</b> heavy-duty	<b>PPHTF:</b> phillips pan head thread forming	
<b>HF:</b> hex flange	<b>PRH:</b> phillips round head	
<b>HH:</b> hex head	<b>PTH:</b> phillips truss head	
<b>HHF:</b> hex head flange	<b>PTO:</b> power-take-off	
<b>HHFTF:</b> hex head flange thread forming	<b>RH:</b> right hand	
<b>HJ:</b> hex jam	<b>ROPS:</b> roll-over protection system	
<b>HLH:</b> hex lag head	<b>RRB:</b> rear roller brush	
<b>HOC:</b> height-of-cut		

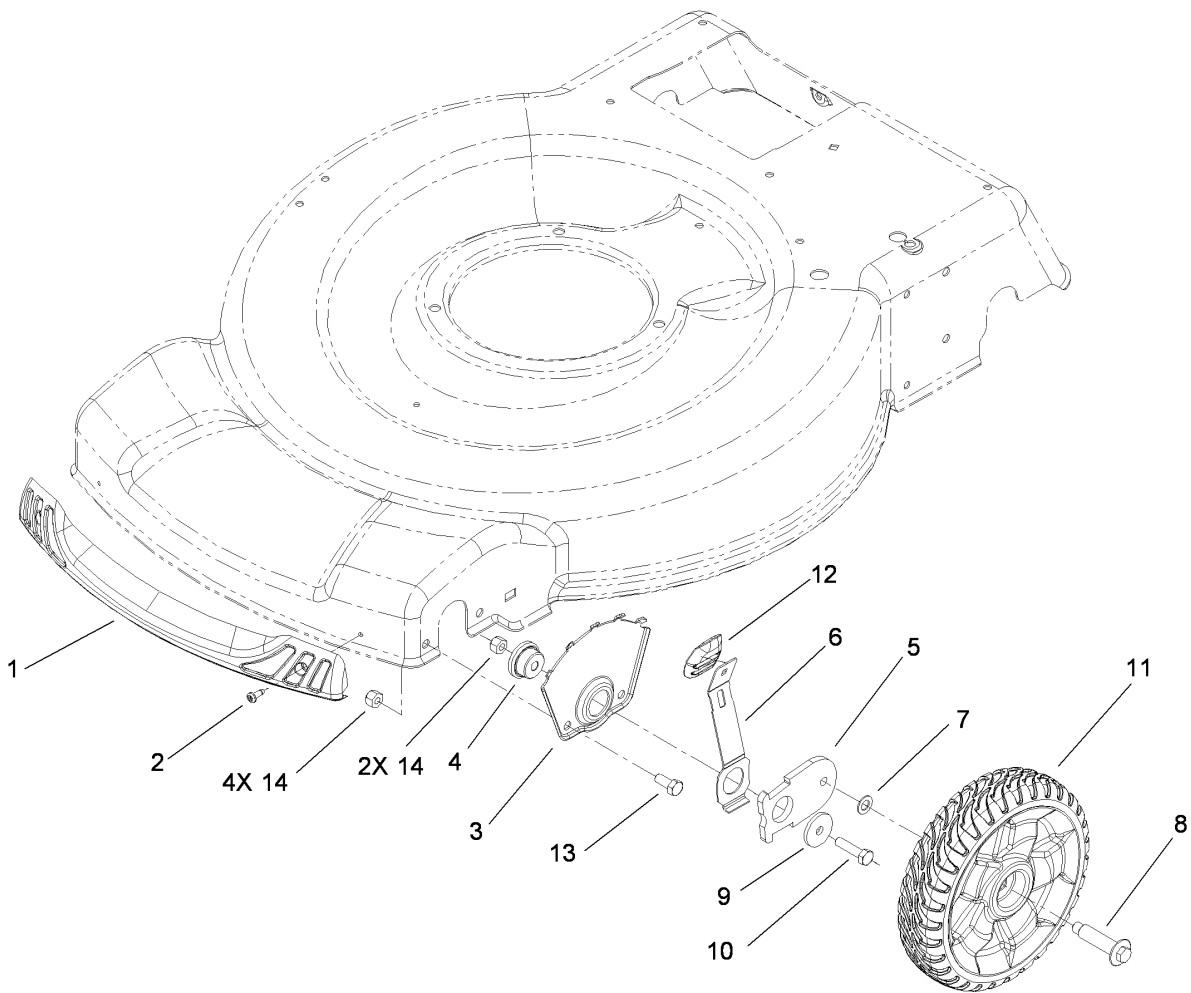
# Contents

Deck, Side Chute and Rear Door Assembly .....	4
Front Axle Assembly .....	5
Rear Axle and Transmission Assembly .....	6
Engine and Blade Assembly .....	7
Handle Assembly .....	8
Rear Bag Assembly .....	9
Cylinder and Cylinder Head Assembly Briggs and Stratton 126L02-0120-F1 .....	10
Crankshaft, Piston, Ring and Connecting Rod Assembly Briggs and Stratton 126L02-0120-F1 .....	11
Crankcase Cover and Sump Assembly Briggs and Stratton 126L02-0120-F1 .....	12
Carburetor and Fuel Tank Assembly Briggs and Stratton 126L02-0120-F1 .....	13
Air Cleaner Assembly Briggs and Stratton 126L02-0120-F1 .....	14
Governor and Controls Assembly Briggs and Stratton 126L02-0120-F1 .....	15
Muffler and Fuel Tank Assembly Briggs and Stratton 126L02-0120-F1 .....	16
Blower Housing, Flywheel and Ignition Assembly Briggs and Stratton 126L02-0120-F1 .....	17
Rewind Starter Assembly Briggs and Stratton 126L02-0120-F1 .....	18
Engine and Valve Gaskets and Carburetor Overhaul Kit Briggs and Stratton 126L02-0120-F1 .....	19
Attachments and Accessories .....	20



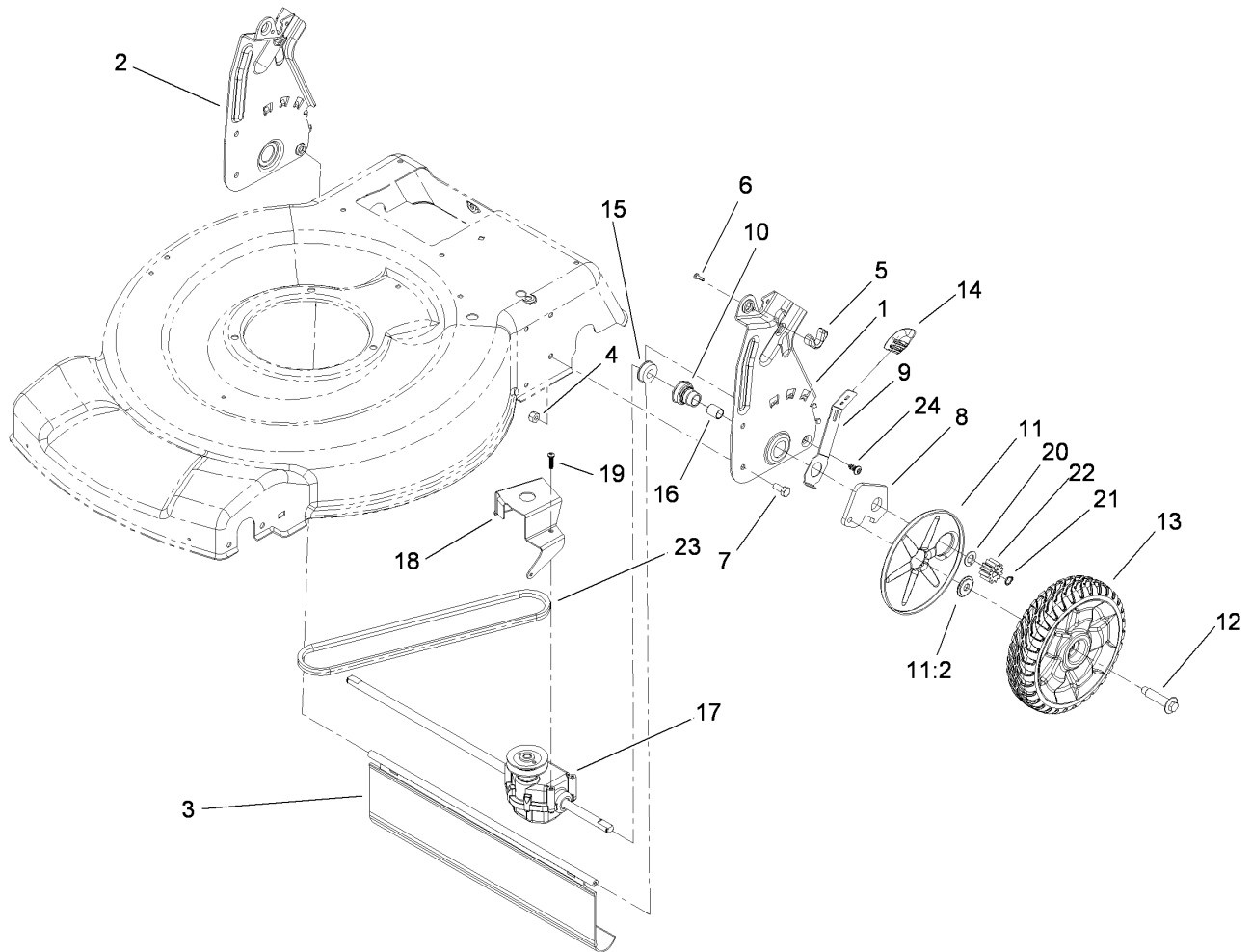
## Deck, Side Chute and Rear Door Assembly

Ref.	Part Number	Qty.	Description	Ref.	Part Number	Qty.	Description
1	117-1084	1	Housing ASM	12	114-7924	1	Spring-Torsion
1:2	94-8072	1	Decal-Danger	14	112-6401	1	Coupling-Hose, Washout Port
1:3	115-4676	1	Decal-Recycler	15	112-6400	1	Port-Washout
1:4	112-8867	1	Decal	16	112-6438	1	Washer-Seal, Washout Port
2	115-4677	1	Chute-Recycle	17	3254-5	1	Washer-Tooth
3	114-7961	1	Baffle-Rear	18	3218-6	1	Nut-Jam
4	46-8091	9	Screw-HWH	23	115-2859	1	Spring-Torsion
5	114-7963-01	1	Baffle-Front	24	112-6416	1	Bracket-Cover
6	114-7960	1	Deflector-Recycle	25	99-8445	2	Screw-HWH
7	114-7959	1	Latch-Recycle	26	99-5291	1	Rod-Cover
8	117-1031	1	Spring-Compression	27	99-5293	1	Spring-Torsion
9	114-7958	1	Knob-Recycle	28	115-8449	1	Deflector-Side
10	32104-120	2	Screw-PPH	29	115-8447	1	Chute-Discharge, Side
11	114-7992	1	Rear Door ASM	30	108-8117	1	Decal-Placement, Foot
11:2	114-7982	1	Decal-Warning				



## Front Axle Assembly

<i>Ref.</i>	<i>Part Number</i>	<i>Qty.</i>	<i>Description</i>
1	114-7987	1	Bumper
2	105-6849	2	Screw-Thread Forming
3	115-1956-03	2	Plate-HOC, Front
4	105-1818	2	Bushing-Mount, HOC
5	105-1807	2	Arm-Pivot, Front
6	105-1809	2	Arm-Spring
7	40-1940	2	Washer
8	614650	2	Bolt-Shoulder
9	105-3048	2	Washer-Flat
10	322-6	2	Screw-HH
11	115-2894	2	8In Wheel ASM
12	105-3042	2	Knob-Lever, HOC
13	322-3	4	Screw-HH
14	3296-29	6	Nut-Lock, NI



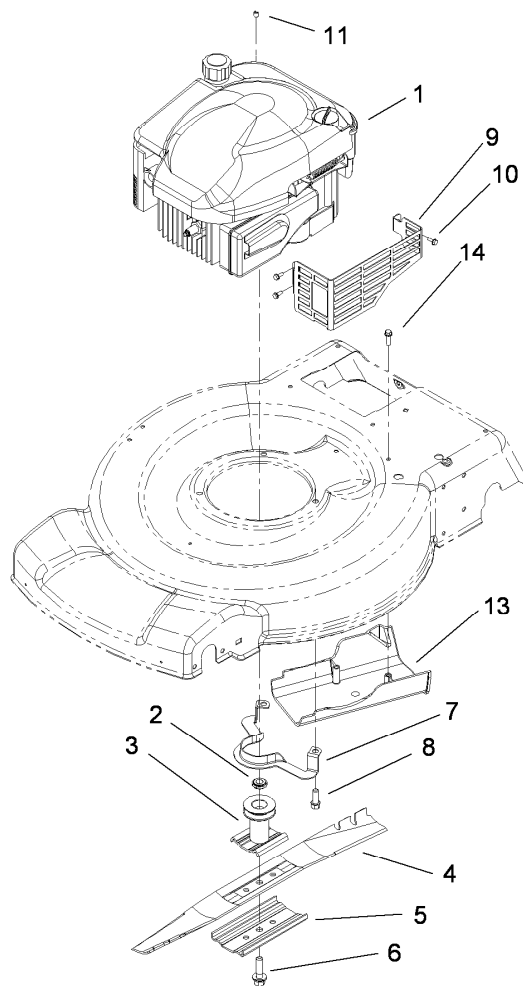
## Rear Axle and Transmission Assembly

Ref.	Part Number	Qty.	Description
1	114-7955-03	1	Plate-LH, Rear HOC
2	114-7956-03	1	Plate-RH, Rear HOC
3	115-2893	1	Shield-Trailing
4	3296-29	4	Nut-Lock, NI
5	115-8406	2	Anchor-Bag (Rwd)
6	105-9437	2	Screw-PPH
7	322-3	4	Screw-HH
8	108-9781	2	Arm-Pivot, Rear
9	108-9780	2	Arm-Spring
10	108-9779	2	Retainer-Bushing, HOC
11	110-1792	2	Wheel Cover ASM
11:1		1	Cover-Wheel ●■
11:2	614426	1	Washer-Stepped

Ref.	Part Number	Qty.	Description
12	614650	2	Bolt-Shoulder
13	115-4695	2	Wheel Gear ASM
14	105-3042	2	Knob-Lever, HOC
15	104-8699	2	Bearing-Ball
16	108-9782	2	Bushing-Sleeve
17	115-4652	1	Transmission (4.5/1)
18	114-7977-03	1	Bracket-Transmission
19	108-7476	3	Screw-Plastite
20	110-7191	2	Washer-Thrust
21	32151-61	2	Ring-Retaining
22	115-4668	2	Gear-Pinion, 12T
23	115-4669	1	V-Belt
24	117-1092	2	Screw-PTH

● Not illustrated

■ Not serviced separately

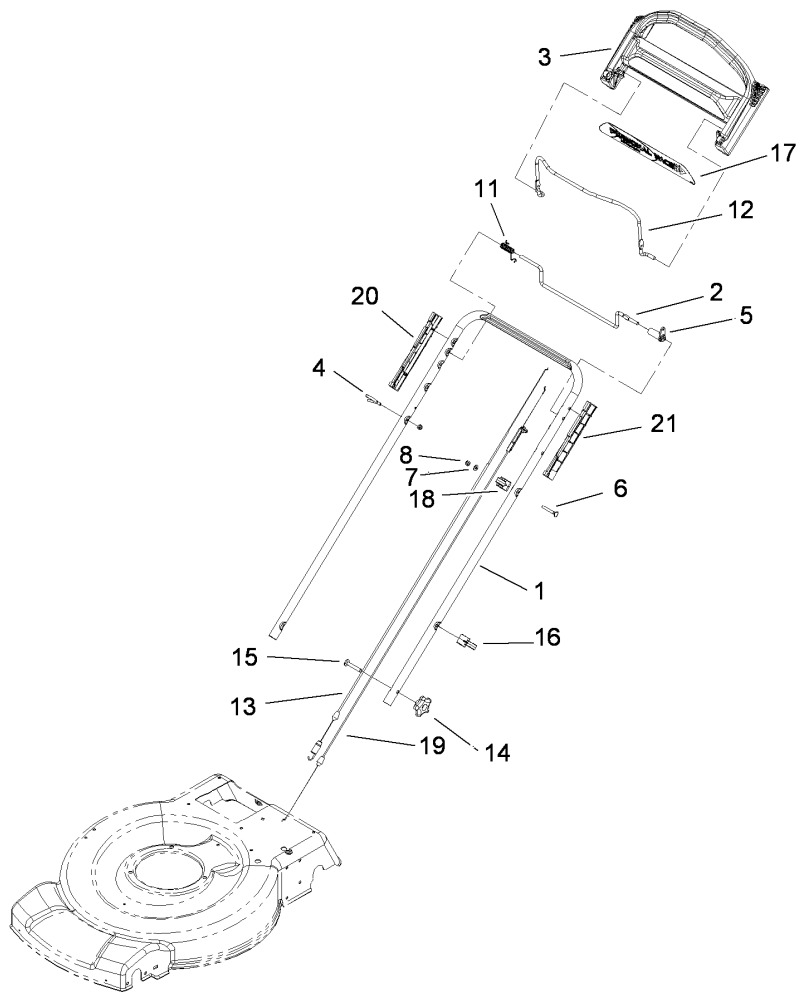


## Engine and Blade Assembly

<i>Ref.</i>	<i>Part Number</i>	<i>Qty.</i>	<i>Description</i>
1		1	Engine-Briggs, 126L02-0120-F1 ●■
2	106-3999	1	Spacer-Driver
3	106-3987	1	Blade Driver ASM
4	108-9764-03	2	Blade-22 Inch
5	108-3766-03	1	Support-Blade
6	105-8579	1	Bolt-Blade
7	105-3030-03	1	Guide-Belt
8	95-1726	3	Screw-Taptite
9	104-7577-03	1	Shield-Muffler
10	32144-1	3	Screw-Taptite
11	2210-316	1	Stop-Rope
13	114-7937	1	Cover-Belt
14	46-8091	2	Screw-HWH

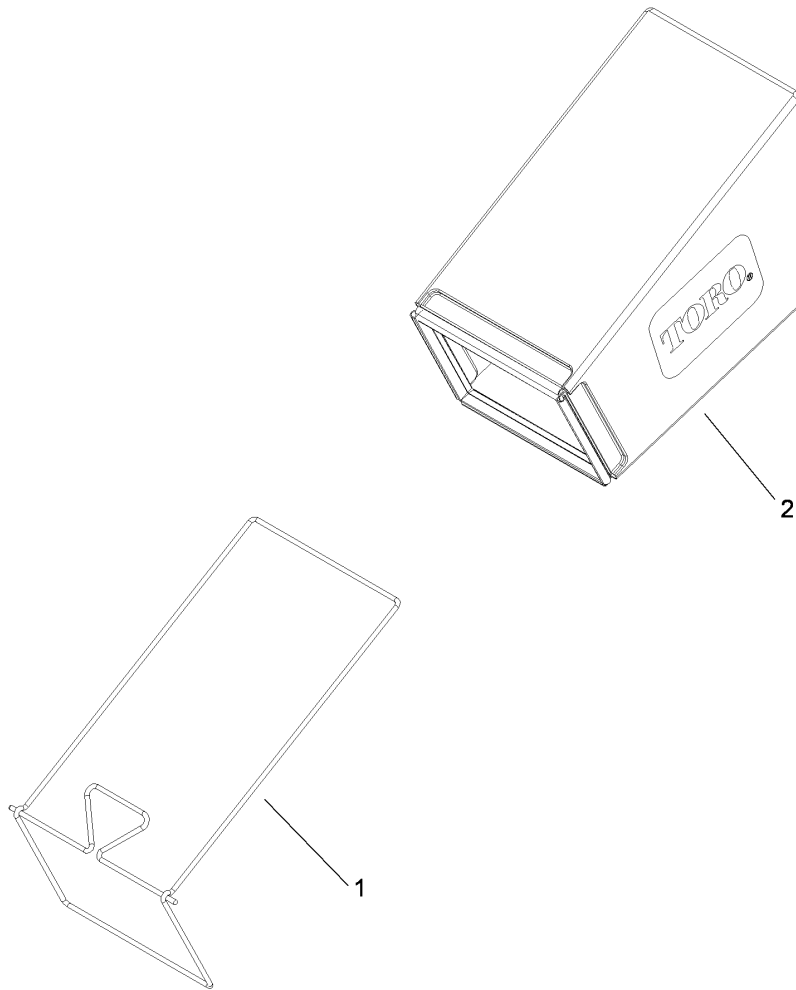
● Not serviced separately

■ Obtain parts from [www.briggsandstratton.com](http://www.briggsandstratton.com)



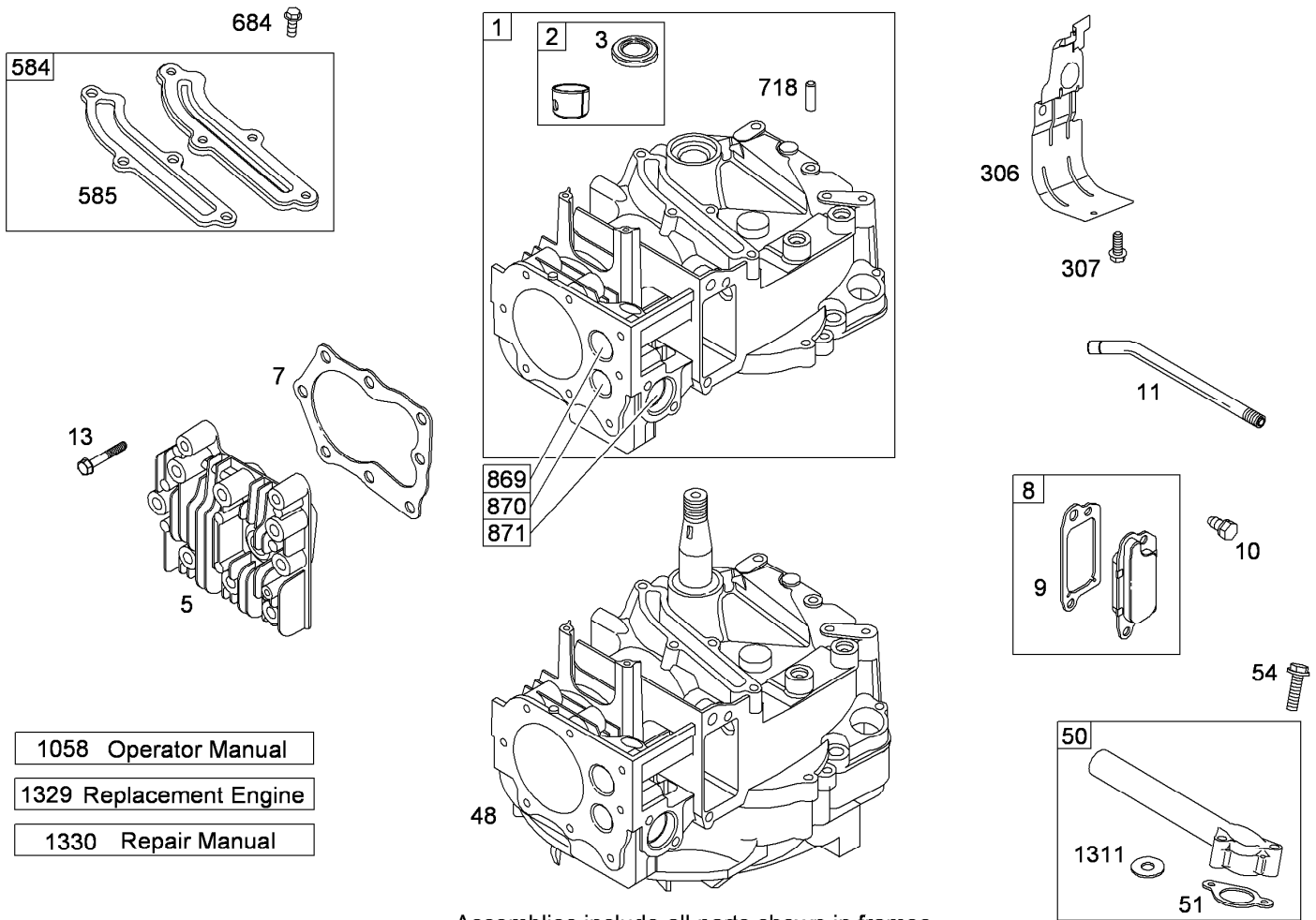
## Handle Assembly

<i>Ref.</i>	<i>Part Number</i>	<i>Qty.</i>	<i>Description</i>
1	114-0333-05	1	Handle
2	99-1588	1	Bar-Control, Traction
3	104-8678	1	Handle-Control
4	86-9671	1	Guide-Rope
5	99-1589	1	Lever-Traction
6	95-4453	1	Screw
7	3256-1	1	Washer-Flat
8	3296-73	2	Nut-Lock, NI
11	104-8690	1	Spring-Torsion
12	104-8679-03	1	Bail-Brake
13	115-8435	1	Cable-Traction
14	108-8162	2	Knob-Locking
15	3230-6	2	Screw-CARR
16	106-6805	1	Guide-Cable
17	117-1019	1	Decal
18	99-5239	1	Anchor-Cable
19	115-8437	1	Cable-Brake
20	105-6841	1	Guide-RH
21	105-6842	1	Guide-LH



## Rear Bag Assembly

<i>Ref.</i>	<i>Part Number</i>	<i>Qty.</i>	<i>Description</i>
1	114-2679-03	1	Frame-Bag
2	115-4673	1	Grass Bag ASM



## Cylinder and Cylinder Head Assembly Briggs and Stratton 126L02-0120-F1

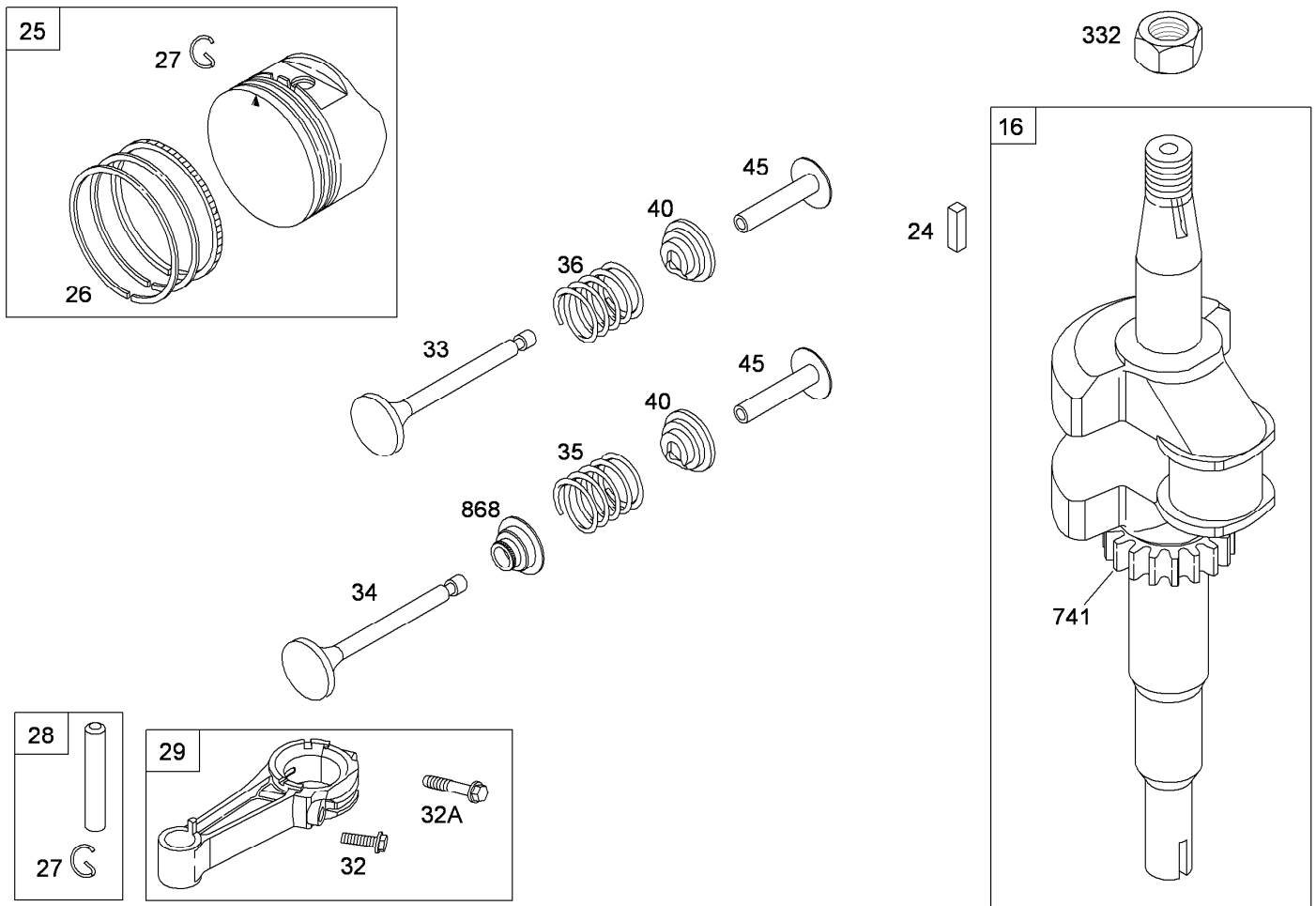
Ref.	Part Number	Qty.	Description	Ref.	Part Number	Qty.	Description
1	697322	1	Cylinder ASM ■	307	690345	1	Screw (Cylinder Shield) ■
2	399269	1	Bushing And Seal Kit ■	584	697734	1	Cover-Passage, Breather ■
3	299819s	1	Seal-Oil (Magneto Side) ■▲	585	691879	1	Gasket-Passage, Breather ■▲
5	691160	1	Head-Cylinder ■	684	690345	1	Screw (Breather Passage Cover) ■
7	692249	1	Gasket-Head, Cylinder ■▲◆	718	690959	1	Pin-Locating ■
8	695250	1	Breather Asm ■	869	691155	1	Seat-Valve (Intake) ■
9	699472	1	Gasket-Breather ■▲◆	870	690380	1	Seat-Valve (Exhaust) ■
10	691125	1	Screw (Breather ASM) ■	871	262001	1	Bushing-Guide (Exhaust) ■
11	691781	1	Tube-Breather ■	871	63709	1	Bushing-Guide (Intake) ■
13	690912	1	Screw (Cylinder Head) ■	1058	277039	1	Operator Manual ■
48	792742	1	Block-Short ■	1311	690390	1	Washer (Intake Manifold) ■
50	794305	1	Manifold-Intake ■	1329	126L021031F1	1	Replacement Engine ■●
51	794306	1	Gasket-Intake ■▲	1330	270962	1	Repair Manual ■
54	691650	1	Screw (Intake Manifold) ■				
306	790836	1	Shield-Cylinder ■				

● Not illustrated

▲ Included in Engine Gasket Set (Ref. No. 358)

■ Obtain parts from [www.briggsandstratton.com](http://www.briggsandstratton.com)

◆ Included in Valve Gasket Set (Ref. No. 1095)

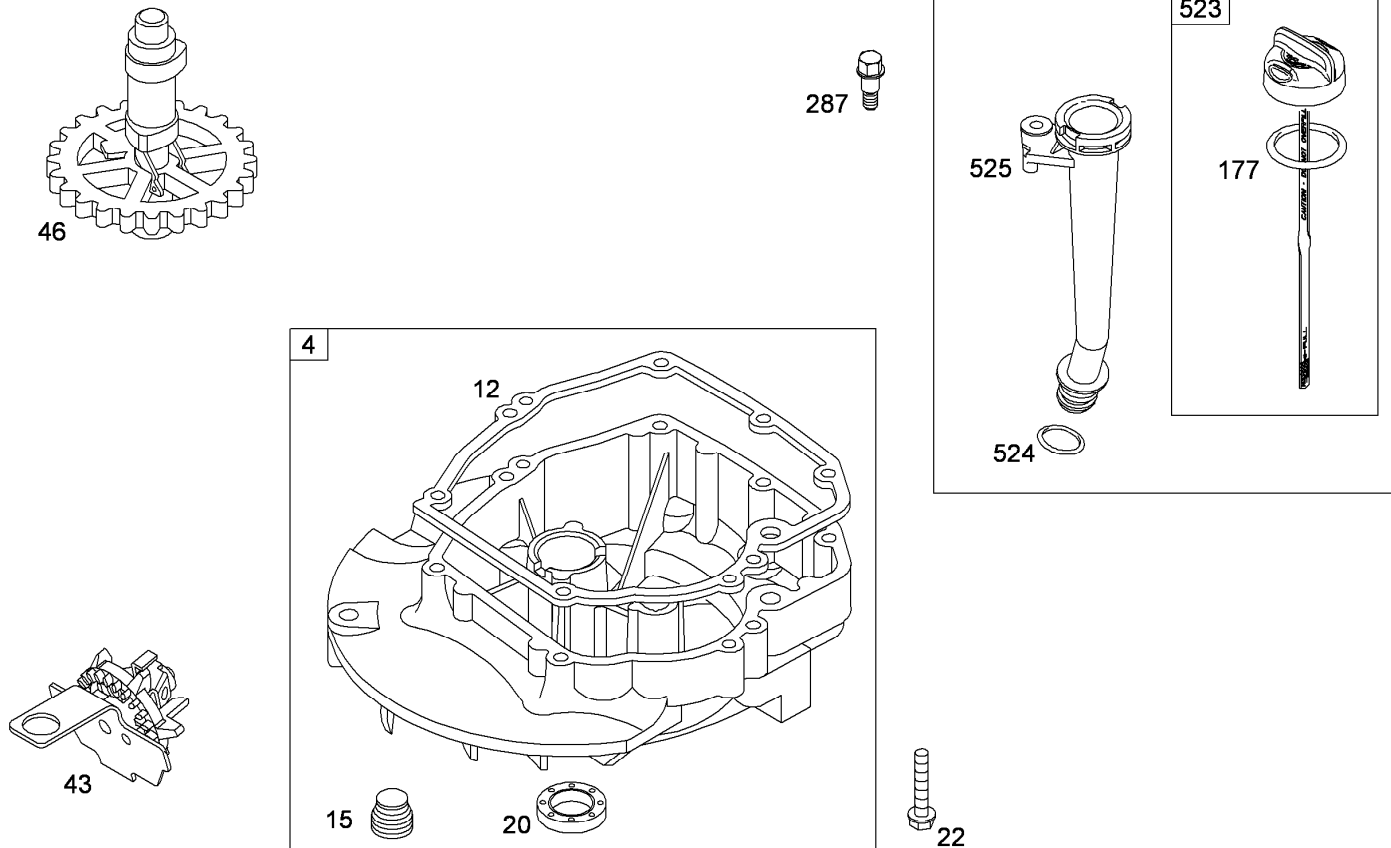


Assemblies include all parts shown in frames

## Crankshaft, Piston, Ring and Connecting Rod Assembly Briggs and Stratton 126L02-0120-F1

Ref.	Part Number	Qty.	Description	Ref.	Part Number	Qty.	Description
16	696009	1	Crankshaft ●●	32A	695759	1	Screw (Connecting Rod) ●
24	222698s	1	Key-Flywheel ●●	33	262651s	1	Valve-Exhaust ●
25	795429	1	Piston Asm (Std) ●	34	262652s	1	Valve-Intake ●
25	795430	1	Piston Asm (.020 Oversize) ●	35	691270	1	Spring-Valve (Intake) ●
26	795431	1	Ring Set (Std) ●	36	691270	1	Spring-Valve (Exhaust) ●
26	795432	1	Ring Set (.020 Oversize) ●	40	692194	1	Retainer-Valve ●
27	691866	1	Lock-Pin, Piston ●	45	690548	1	Tappet-Valve ●
28	499423	1	Pin-Piston (Std) ●	332	690662	1	Nut (Flywheel) ●
29	499424	1	Rod-Connecting ●	741	795755	1	Gear-Timing ●
32	691664	1	Screw (Connecting Rod) ●	868	697338	1	Seal-Valve ●

● Obtain parts from [www.briggsandstratton.com](http://www.briggsandstratton.com)



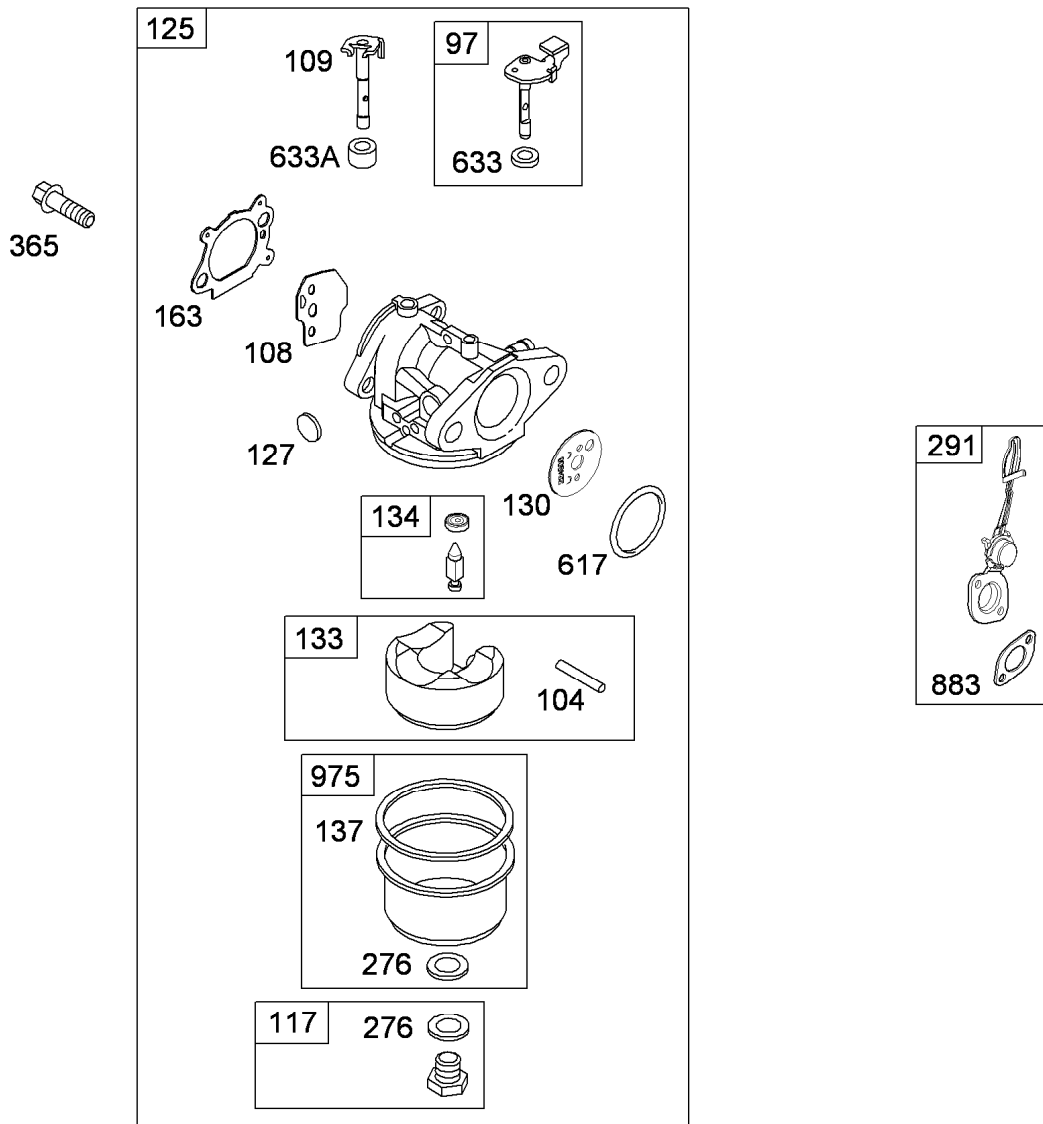
Assemblies include all parts shown in frames

## Crankcase Cover and Sump Assembly Briggs and Stratton 126L02-0120-F1

Ref.	Part Number	Qty.	Description
4	493279	1	Sump-Engine ●
12	692232	1	Gasket-Crankcase (.015 STD) ●■
15	691680	1	Plug-Drain, Oil ●
20	399781s	1	Seal-Oil (PTO Side) ●■
22	691092	1	Screw (Crankcase Cover To Sump) ●
43	691997	1	Slinger-Oil, Governor ●
46	691449	1	Camshaft ●
177	691031	1	Seal-O Ring (Dipstick) ●■
287	690940	1	Screw (Dipstick Tube) ●
523	499621	1	Dipstick ●
524	692296	1	Seal-O Ring (Dipstick Tube) ●■
525	495265	1	Tube-Dipstick ●
847	692047	1	Dipstick Tube ASM ●

● Obtain parts from [www.briggsandstratton.com](http://www.briggsandstratton.com)

■ Included in Engine Gasket Set (Ref. No. 358)



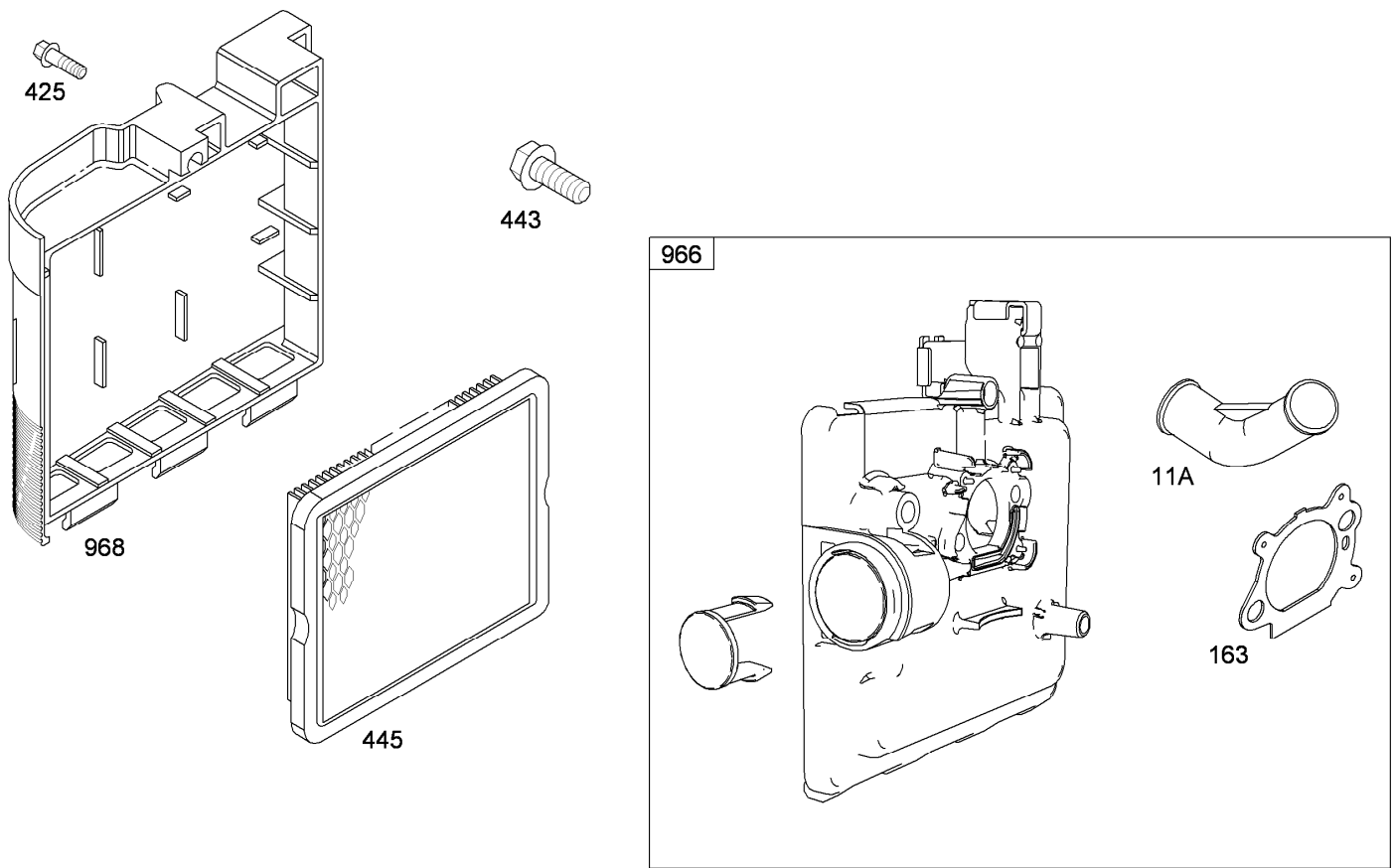
Assemblies include all parts shown in frames

## Carburetor and Fuel Tank Assembly Briggs and Stratton 126L02-0120-F1

Ref.	Part Number	Qty.	Description	Ref.	Part Number	Qty.	Description
97	696565	1	Shaft-Throttle ●	163	795629	1	Gasket-Cleaner, Air ●◆■
104	691242	1	Pin-Hinge, Float ●◆	276	271716	1	Washer-Sealing ●◆
108	795935	1	Valve-Choke ●	291	790830	1	Thermostat ●
109	795936	1	Shaft-Choke ●	365	691688	1	Screw (Carburetor) ●
117	695042	1	Jet-Main (STD) ●	617	270344s	1	Seal-O Ring (Intake Manifold) ●◆■
125	794304	1	Carburetor ●	633	691321	1	Seal-Shaft, Choke Throttle (Throttle Shaft) ●◆
127	694468	1	Plug-Welch ●◆	633A	693867	1	Seal-Shaft, Choke Throttle (Choke Shaft) ●
130	696564	1	Valve-Throttle ●	883	691881	1	Gasket-Exhaust ●■▲
133	398187	1	Float-Carburetor ●	975	493640	1	Bowl-Float ●
134	398188	1	Needle And Seat Kit ●◆				
137	796610	1	Gasket-Bowl, Float (Used After Date Code 08120100) ●◆				
137	693981	1	Gasket-Bowl, Float (Used Before Date Code 08120200) ●◆				

● Obtain parts from [www.briggsandstratton.com](http://www.briggsandstratton.com)  
▲ Included in Valve Gasket Set (Ref. No. 1095)

■ Included in Engine Gasket Set (Ref. No. 358)  
◆ Included in Carburetor Overhaul Kit (Ref. No. 121)



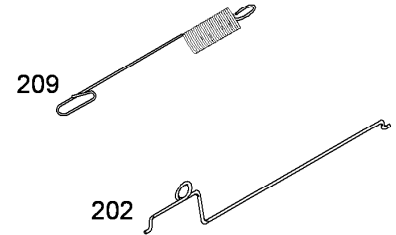
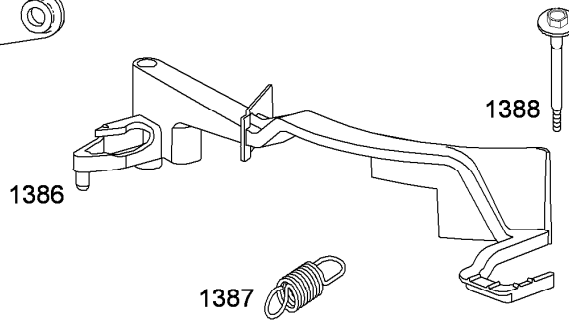
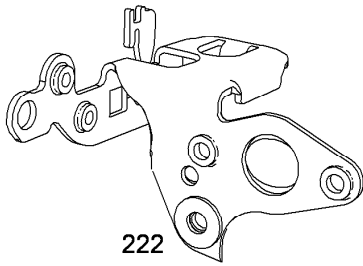
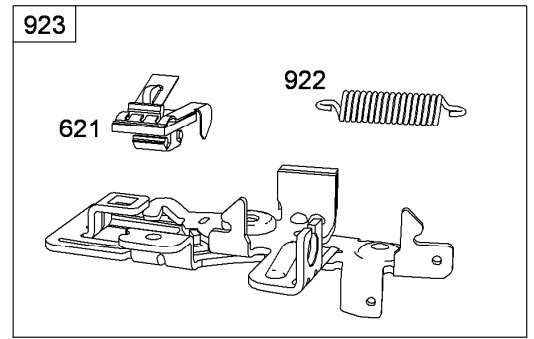
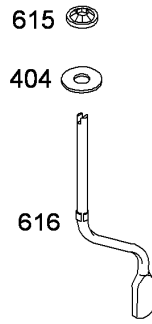
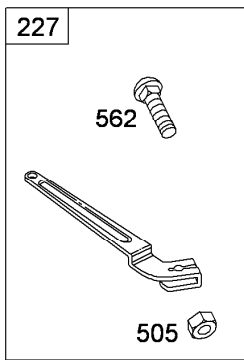
Assemblies include all parts shown in frames

## Air Cleaner Assembly Briggs and Stratton 126L02-0120-F1

<i>Ref.</i>	<i>Part Number</i>	<i>Qty.</i>	<i>Description</i>
11A	691923	1	Tube-Breather (Air Cleaner Primer Base) ●
163	795629	1	Gasket-Cleaner, Air ●▲■
425	690670	1	Screw (Air Cleaner Cover) ●
443	692523	1	Screw (Air Cleaner Primer Base) ●
445	491588s	1	Filter-Cartridge, Air Cleaner ●
966	795259	1	Base-Primer, Air Cleaner ●
968	692298	1	Cover-Cleaner, Air ●

● Obtain parts from [www.briggsandstratton.com](http://www.briggsandstratton.com)  
▲ Included in Carburetor Overhaul Kit (Ref. No. 121)

■ Included in Engine Gasket Set (Ref. No. 358)



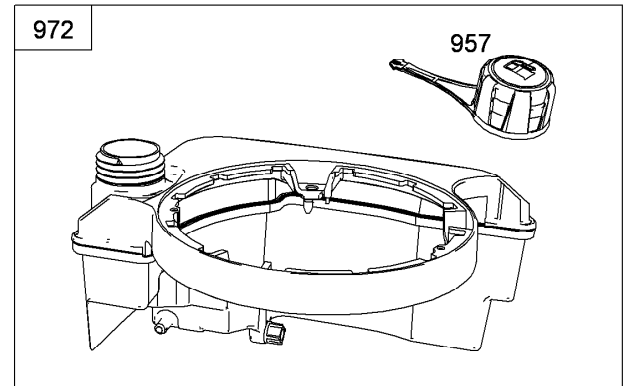
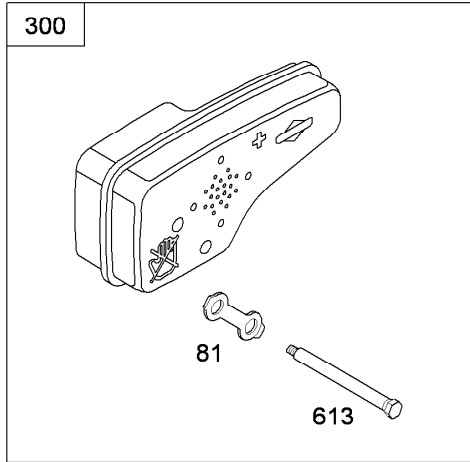
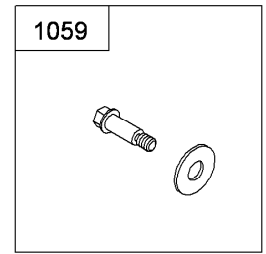
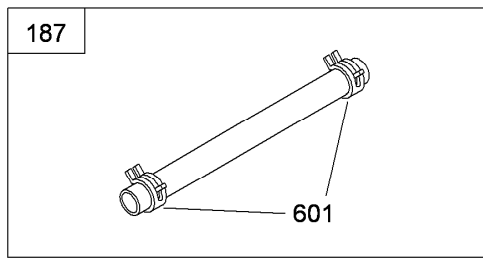
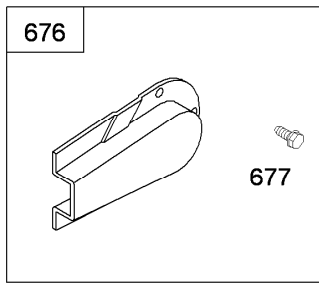
Assemblies include all parts shown in frames

## Governor and Controls Assembly Briggs and Stratton 126L02-0120-F1

Ref.	Part Number	Qty.	Description
202	691829	1	Link-Governor, Mechanical ●
209	691292	1	Spring-Governor (Black) ●
222	795937	1	Bracket-Control ●
227	690783	1	Lever-Control, Governor ●
404	690272	1	Washer (Governor Crank) ●
505	691251	1	Nut (Governor Control Lever) ●
562	691119	1	Screw (Governor Control Lever) ●

Ref.	Part Number	Qty.	Description
615	690340	1	Retainer-Shaft, Governor ●
616	698801	1	Crank-Governor ●
621	692310	1	Switch-Stop ●
745	691648	1	Screw (Brake) ●
922	692135	1	Spring-Brake ●
923	796136	1	Brake ●
1386	790848	1	Vane-Air ●
1387	790849	1	Spring-Vane, Air ●
1388	790850	1	Screw (Air Vane) ●

● Obtain parts from [www.briggsandstratton.com](http://www.briggsandstratton.com)



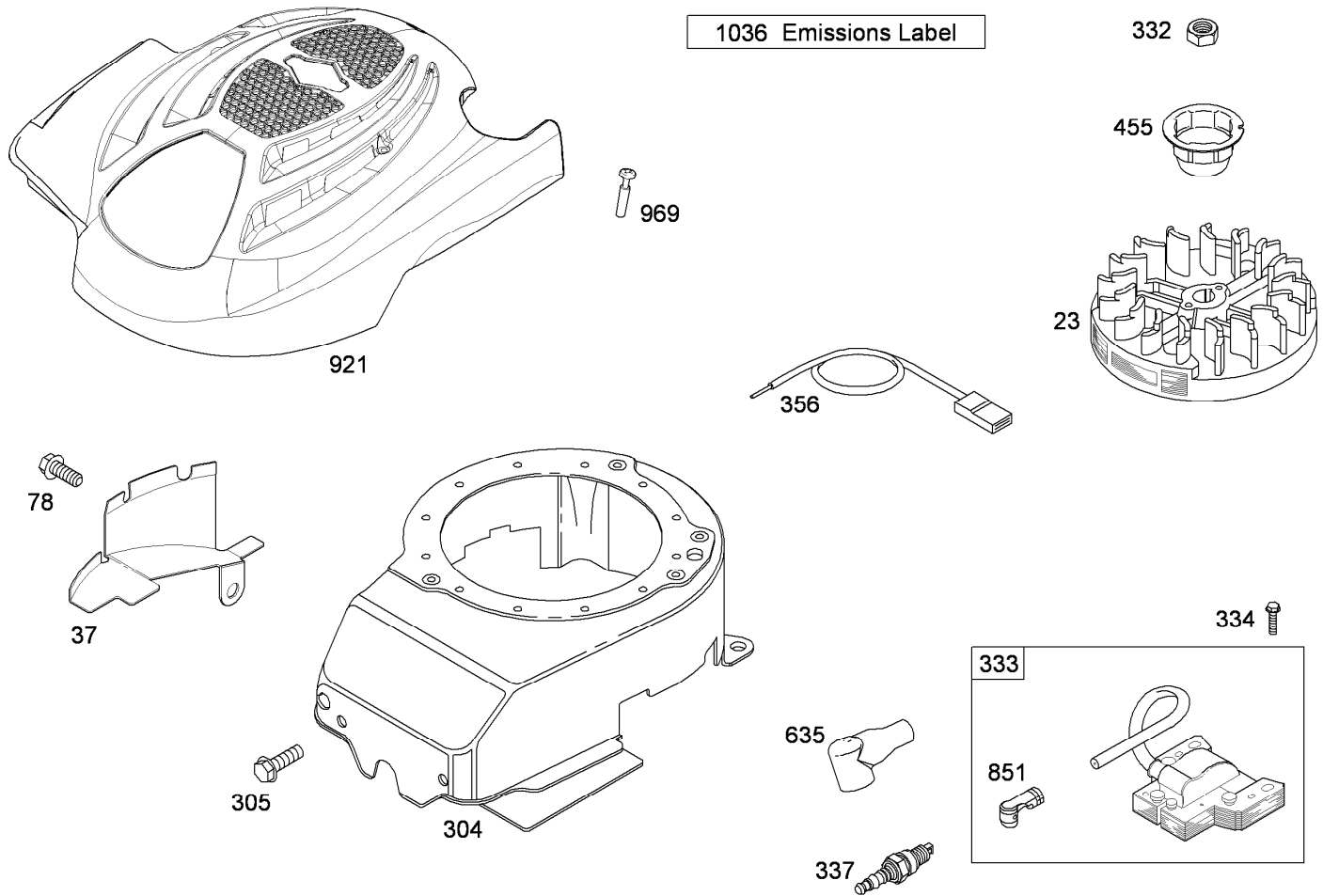
Assemblies include all parts shown in frames

## Muffler and Fuel Tank Assembly Briggs and Stratton 126L02-0120-F1

Ref.	Part Number	Qty.	Description
81	691740	1	Lock-Screw, Muffler ●
187	791766	1	Line-Fuel (Cut To Required Length) ●
190	690940	1	Screw (Fuel Tank) ●
240	298090S	1	Filter-Fuel ●
300	790828	1	Muffler ●
601	791850	1	Clamp-Hose ●
613	790833	1	Screw (Muffler) ●
676	493871	1	Deflector-Muffler ●
677	690661	1	Screw (Muffler Deflector) ●
883	691881	1	Gasket-Exhaust ● ■ ▲
957	796577	1	Cap-Tank, Fuel ●
972	796578	1	Tank-Fuel ●
1059	692311	1	Screw And Washer Kit ●

● Obtain parts from [www.briggsandstratton.com](http://www.briggsandstratton.com)  
▲ Included in Valve Gasket Set (Ref. No. 1095)

■ Included in Engine Gasket Set (Ref. No. 358)



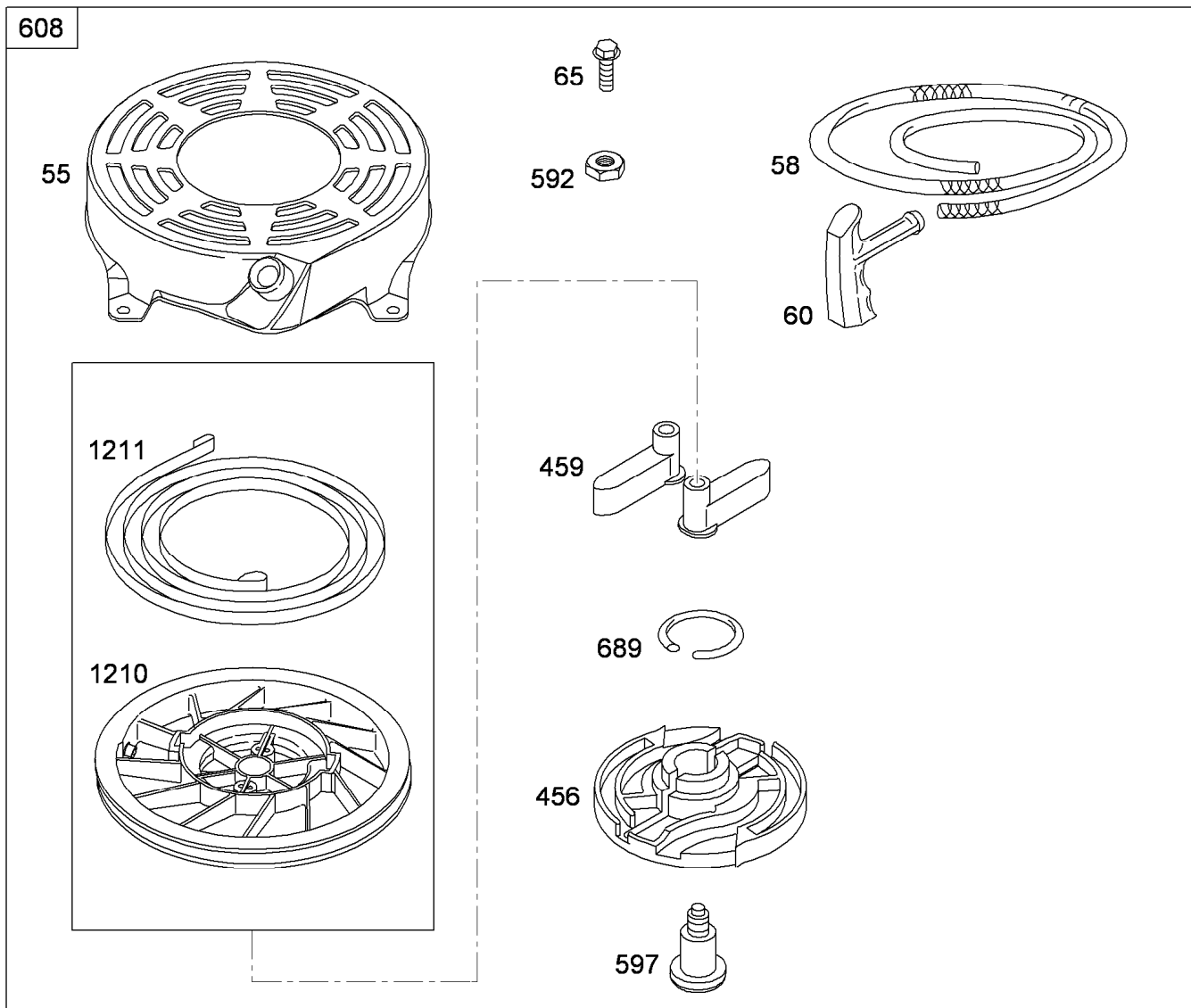
Assemblies include all parts shown in frames

## Blower Housing, Flywheel and Ignition Assembly Briggs and Stratton 126L02-0120-F1

Ref.	Part Number	Qty.	Description	Ref.	Part Number	Qty.	Description
23	691987	1	Flywheel ▲	337	802592s	1	Spark Plug ▲
37	793756	1	Guard-Flywheel ▲	356	692390	1	Wire-Stop ▲
78	691108	1	Screw (Flywheel Guard) ▲	455	791960	1	Cup-Flywheel ▲
304	790826	1	Housing-Blower ▲	635	66538s	1	Boot-Spark Plug ▲
305	691108	1	Screw (Blower Housing) ▲	851	483880s	1	Terminal-Spark Plug ▲
332	690662	1	Nut (Flywheel) ▲	921	790036	1	Cover-Housing, Blower ▲
333	802574	1	Armature-Magneto ▲	969	691138	1	Screw (Blower Housing Cover) ▲
334	691061	1	Screw (Magneto Armature) ▲	1036		1	Label-Emissions ▲●■

● Not illustrated  
▲ Obtain parts from [www.briggsandstratton.com](http://www.briggsandstratton.com)

■ Not serviced separately

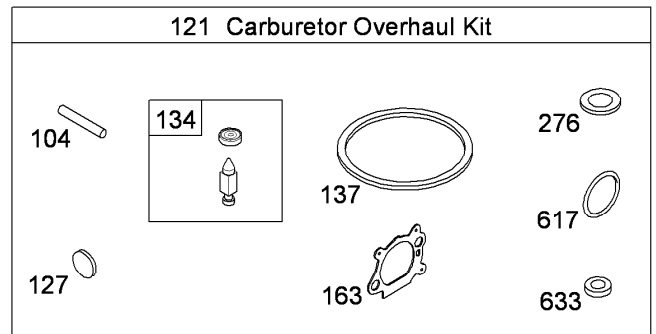
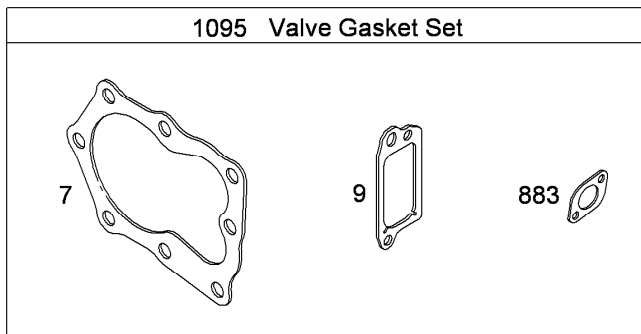
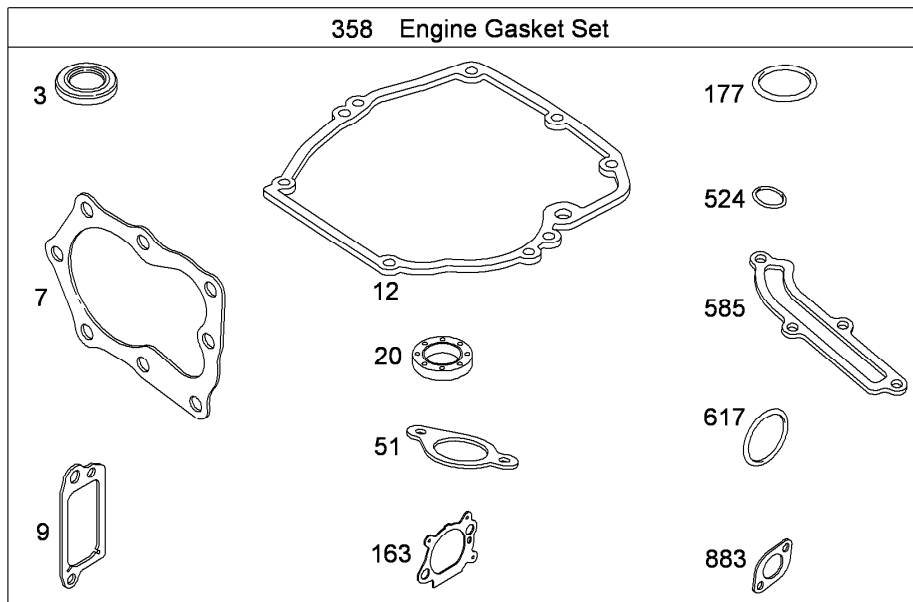


Assemblies include all parts shown in frames

## Rewind Starter Assembly Briggs and Stratton 126L02-0120-F1

Ref.	Part Number	Qty.	Description
55	691421	1	Housing-Starter, Rewind ●
58	697316	1	Rope-Starter (Cut To Required Length) ●
60	281434s	1	Grip-Rope, Starter ●
65	690837	1	Screw (Rewind Starter) ●
456	692299	1	Plate-Friction, Pawl ●
459	281505s	1	Ratchet-Pawl ●
592	690800	1	Nut (Rewind Starter) ●
597	691696	1	Screw (Pawl Friction Plate) ●
608	497680	1	Starter-Rewind ●
689	691855	1	Spring-Friction ●
1210	498144	1	Pulley And Spring ASM (Pulley) ●
1211	498144	1	Pulley And Spring ASM (Spring) ●

● Obtain parts from [www.briggsandstratton.com](http://www.briggsandstratton.com)



Assemblies include all parts shown in frames

## Engine and Valve Gaskets and Carburetor Overhaul Kit Briggs and Stratton 126L02-0120-F1

Ref.	Part Number	Qty.	Description
3	299819s	1	Seal-Oil (Magneto Side) ●■
7	692249	1	Gasket-Head, Cylinder ●■▲
9	699472	1	Gasket-Breather ●■▲
12	692232	1	Gasket-Crankcase ●■
20	399781s	1	Seal-Oil (PTO Side) ●■
51	272199s	1	Gasket-Intake ●■
104	691242	1	Pin-Hinge, Float ●◆
121	498260	1	Carburetor Overhaul Kit ●
127	694468	1	Plug-Welch ●◆
134	398188	1	Needle And Seat Kit ●◆
137	796610	1	Gasket-Bowl, Float (Used After Date Code 08120100) ●◆
137	693981	1	Gasket-Bowl, Float (Used Before Date Code 08120200) ●◆

Ref.	Part Number	Qty.	Description
163	795629	1	Gasket-Cleaner, Air ●◆■
177	691031	1	Seal-O Ring (Dipstick) ●■
276	271716	1	Washer-Sealing ●◆
358	497316	1	Engine Gasket Set ●
524	692296	1	Seal-O Ring (Dipstick Tube) ●■
585	691879	1	Gasket-Passage, Breather ●■
617	270344s	1	Seal-O Ring (Intake Manifold) ●◆■
633	691321	1	Seal-Shaft, Choke Throttle (Throttle Shaft) ●◆
883	691881	1	Gasket-Exhaust ●■▲
1095	498528	1	Valve Gasket Set ●

● Obtain parts from [www.briggsandstratton.com](http://www.briggsandstratton.com)  
▲ Included in Valve Gasket Set (Ref. No. 1095)

■ Included in Engine Gasket Set (Ref. No. 358)  
◆ Included in Carburetor Overhaul Kit (Ref. No. 121)

# Attachments and Accessories

## For 20352 22in Recycler Lawn Mower

<b>Product Name</b>	<b>Model/Part</b>
Traction Assist Handle Kit.....	108-8120
Loose Parts Kit .....	117-4124
Replacement Bag .....	59310
Replacement Bag Kit.....	59312
22 Inch Blade Kit.....	59534

**Notes:**

**Notes:**

**Notes:**



**Count on it.**