



**20in Mulching/Rear Bagging
Lawn Mower**
Model No. 10647—Serial No. 290000001 and Up

Parts Catalog

Ordering Replacement Parts

To order replacement parts, please supply the part number, the quantity, and the description of each part desired.

Understanding Reference Numbers

Each identified part in an illustration has a reference number. The reference number for a part also appears in the parts list, along with other information about the part.

This catalog uses two special reference number formats, one to indicate parts in a service assembly and another to indicate the quantity of a given part in an illustration.

Service Assembly Reference Numbers

Parts in service assemblies have reference numbers in the form a:b. The a represents the reference number of the entire service assembly and the b represents a sequential number unique to each part within the service assembly.

For example, a wheel assembly might be identified by reference number 6, the tire by 6:1, the valve by 6:2, and the wheel by 6:3. When you order the assembly identified by reference number 6, you receive all parts identified by reference numbers 6:1, 6:2, and 6:3. However, you may also order any part individually. Reference numbers of this type appear in illustration and in parts lists.

Reference Numbers Indicating Quantity

In an illustration, if a reference number indicates more than one part, the reference number has the form nX y. The n represents the quantity of the part, the X is the multiplication symbol, and the y represents the reference number.

For example, in an illustration, the reference number 2X 37 means that two of the parts identified by reference number 37 are indicated.

List of Abbreviations

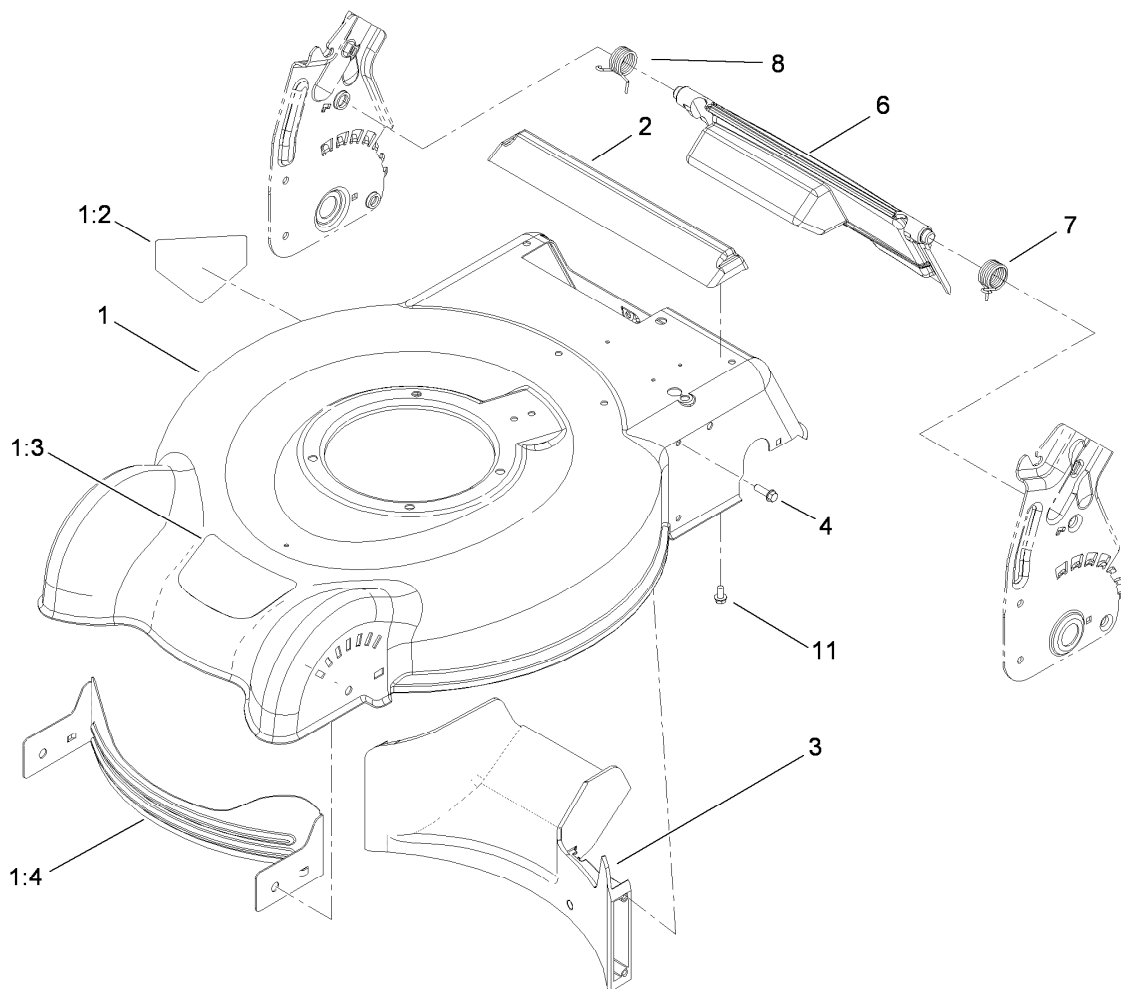
AR: as required
ASM: assembly
BBC: blade brake clutch
CARR: carriage
CCW: counter clock wise
CW: clockwise
DEG: degrees
ECM: electronic control module
EXT: external
FH: flat head
GA: gauge
HD: heavy-duty
HF: hex flange
HH: hex head
HHF: hex head flange
HHFTF: hex head flange thread forming
HJ: hex jam
HLH: hex lag head
HOC: height-of-cut

HSBH: hex socket button head
HSFH: hex socket flat head
HSH: hex socket head
HWH: hex washer head
HWHTF: hex washer head thread forming
HYD: hydraulic
LH: left hand
NI: nylon insert
NPTF: national pipe thread fine
PFH: phillips flat head
PPH: phillips pan head
PPHTF: phillips pan head thread forming
PRH: phillips round head
PTH: phillips truss head
PTO: power-take-off
RH: right hand
ROPS: roll-over protection system
RRB: rear roller brush

SFH: slotted fillister head
SHH: slotted hex head
SHWH: slotted hex washer head
SPH: slotted pan head
SQH: square head
SRH: slotted round head
STD: standard
TAP: self tapping
TTH: torx truss head

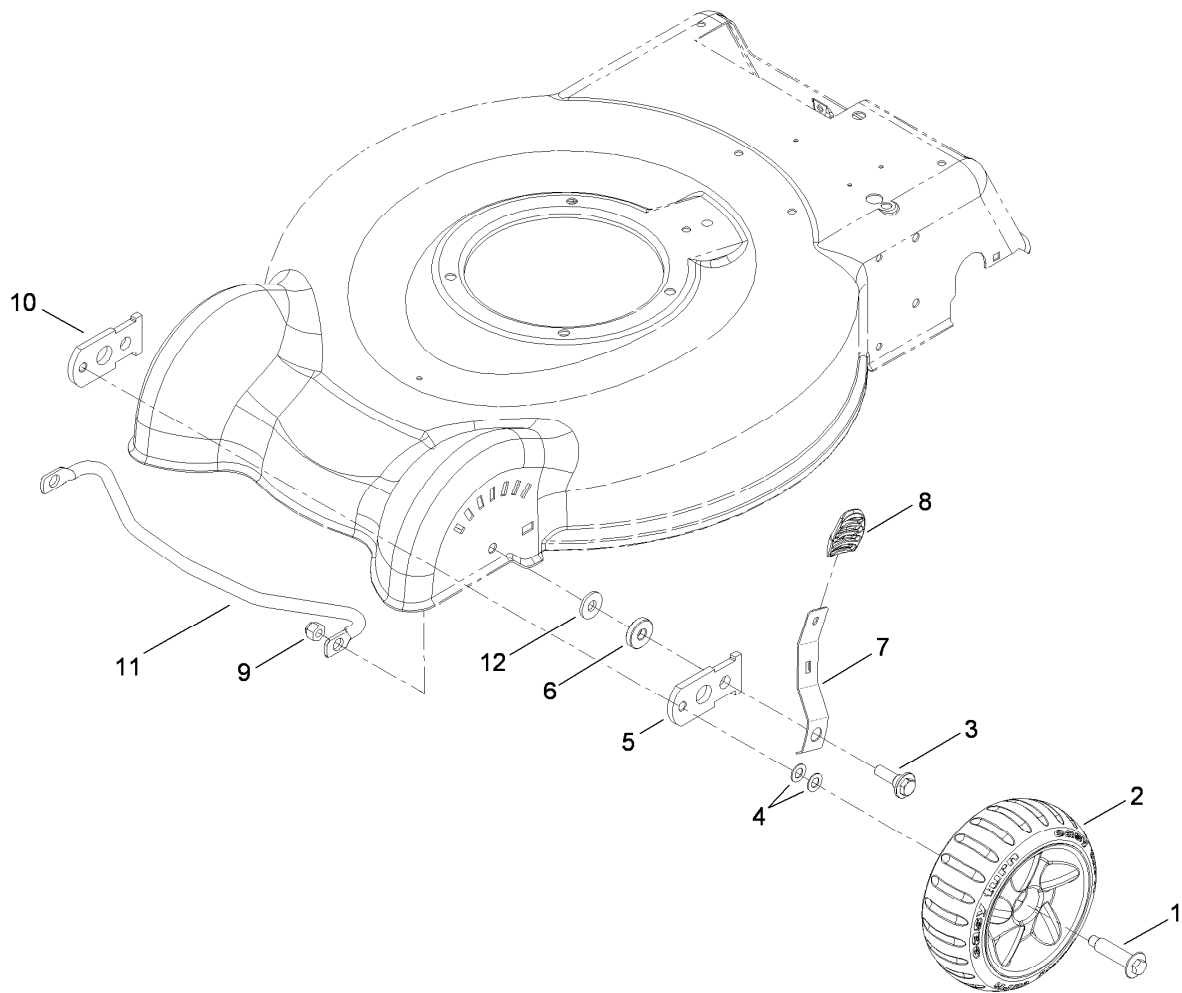
Contents

Housing Assembly	4
Front Axle Assembly	5
Rear Axle and Transmission Assembly	6
Engine and Blade Assembly	7
Handle Assembly	8
Electrical Assembly	9
Rear Bag Assembly	10
Cylinder and Cylinder Head Assembly Briggs and Stratton 124L05-0128-F1	11
Crankshaft, Piston, Ring and Connecting Rod Assembly Briggs and Stratton 124L05-0128-F1	12
Crankcase Cover and Sump Assembly Briggs and Stratton 124L05-0128-F1	13
Carburetor and Fuel Tank Assembly Briggs and Stratton 124L05-0128-F1	14
Air Cleaner Assembly Briggs and Stratton 124L05-0128-F1	15
Governor, Controls and Brake Assembly Briggs and Stratton 124L05-0128-F1	16
Muffler and Fuel Tank Assembly Briggs and Stratton 124L05-0128-F1	17
Blower Housing, Flywheel and Ignition Assembly Briggs and Stratton 124L05-0128-F1	18
Rewind Starter Assembly Briggs and Stratton 124L05-0128-F1	19
Electric Starter Assembly Briggs and Stratton 124L05-0128-F1	20
Engine and Valve Gaskets and Carburetor Overhaul Kit Briggs and Stratton 124L05-0128-F1	21
Attachments and Accessories	22



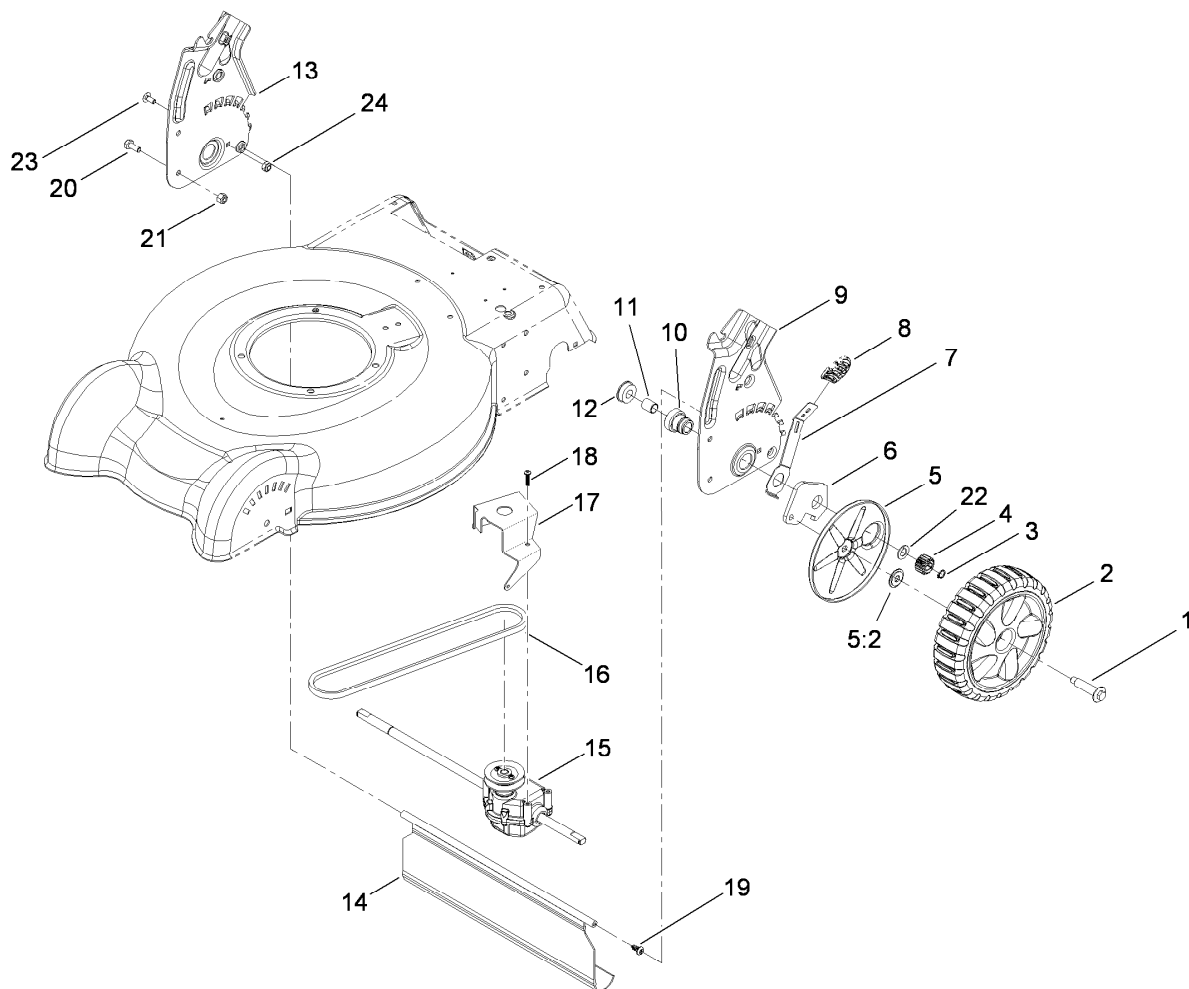
Housing Assembly

<i>Ref.</i>	<i>Part Number</i>	<i>Qty.</i>	<i>Description</i>
1	117-4153	1	Housing ASM
1:2	94-8072	1	Decal-Danger
1:3	117-4131	1	Decal
1:4	112-8824-02	1	Baffle-Front
2	112-8845	1	Chute-Rear
3	112-8821	1	Baffle-Rear
4	46-8091	5	Screw-HWH
6	117-5923	1	Rear Deflector ASM
7	112-8848	1	Spring-Torsion, LH
8	112-8849	1	Spring-Torsion, RH
11	46-8093	3	Screw-Plastite



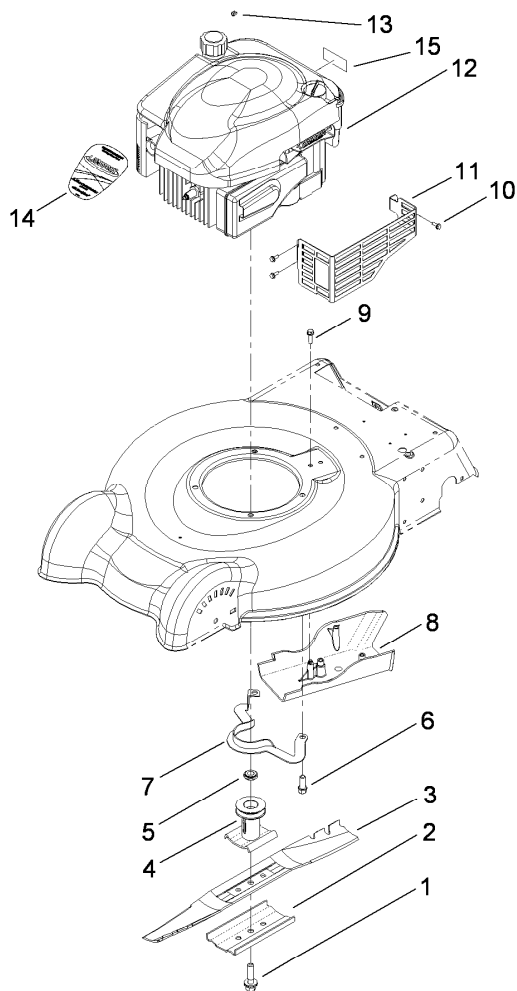
Front Axle Assembly

<i>Ref.</i>	<i>Part Number</i>	<i>Qty.</i>	<i>Description</i>
1	614650	2	Bolt-Shoulder
2	112-1548	2	7 Inch Front Wheel ASM
3	614672	2	Bolt-Shoulder
4	40-1940	4	Washer
5	107-3877	1	Arm-Pivot, RH
6	92-4890	2	Washer
7	112-8828	2	Arm-Spring, Front
8	105-3042	2	Knob-Lever, HOC
9	3296-39	2	Nut-Lock, NI
10	108-1044	1	Arm-Pivot, LH
11	117-4161	1	Brace-Front
12	80-6990	2	Washer-Hardened



Rear Axle and Transmission Assembly

<i>Ref.</i>	<i>Part Number</i>	<i>Qty.</i>	<i>Description</i>	<i>Ref.</i>	<i>Part Number</i>	<i>Qty.</i>	<i>Description</i>
1	614650	2	Bolt-Shoulder	13	112-8823-03	1	Plate-HOC, RH
2	107-3906	2	Rear Wheel ASM	14	112-8768	1	Shield-Trailing
3	32151-61	2	Ring-Retaining	15	112-8831	1	Transmission ASM
4	110-9417	2	Pinion	16	110-9429	1	V-Belt
5	110-1793	2	Wheel Cover ASM	17	114-7977-03	1	Bracket-Transmission
5:2	614426	1	Washer-Stepped	18	108-7476	3	Screw-Plastite
6	108-9781	2	Arm-Pivot, Rear	19	117-1092	2	Screw-PTH
7	108-9780	2	Arm-Spring	20	322-3	4	Screw-HH
8	105-3042	2	Knob-Lever, HOC	21	3296-29	4	Nut-Lock, NI
9	112-8822-03	1	Plate-HOC, LH	22	110-7191	2	Washer-Thrust
10	108-9779	2	Retainer-Bushing, HOC	23	3229-11	2	Screw-CARR
11	108-9782	2	Bushing-Sleeve	24	3296-16	2	Nut-Lock, NI
12	104-8699	2	Bearing-Ball				

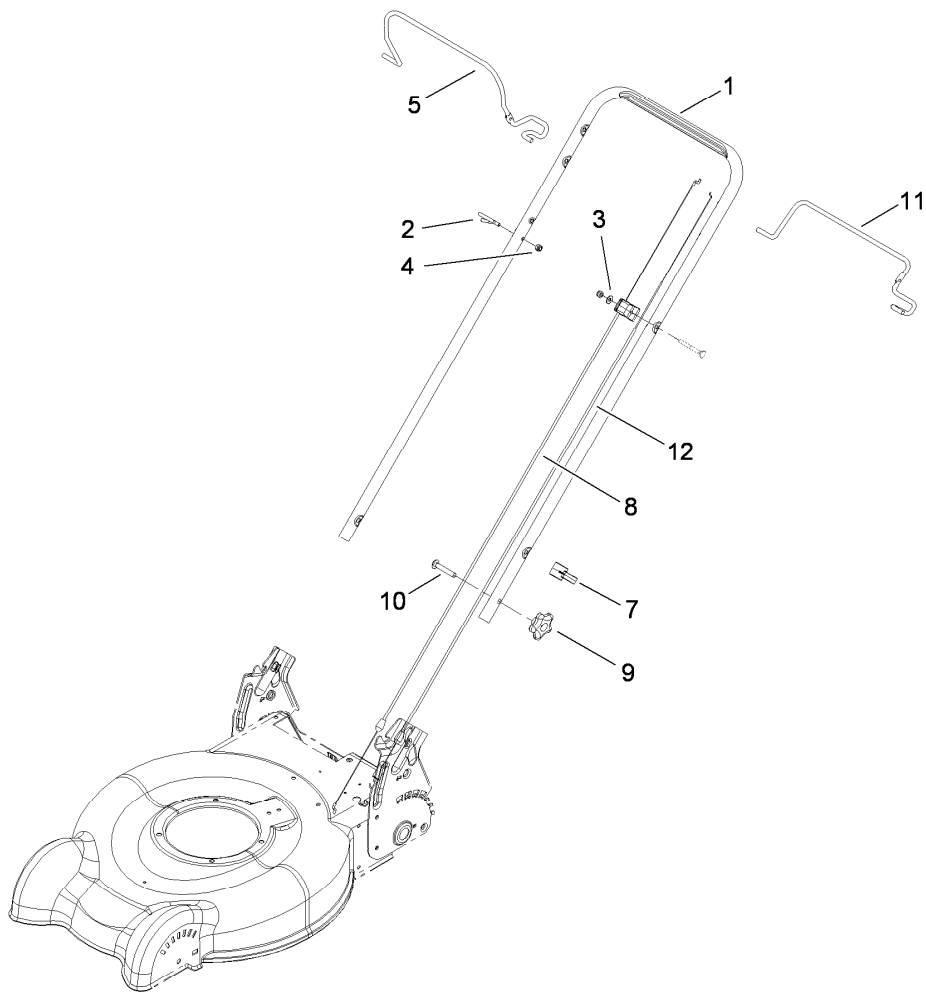


Engine and Blade Assembly

<i>Ref.</i>	<i>Part Number</i>	<i>Qty.</i>	<i>Description</i>
1	105-8579	1	Bolt-Blade
2	108-3766-03	1	Support-Blade
3	112-8841-03	1	Blade-20 Inch
4	106-3987	1	Blade Driver ASM
5	106-3999	1	Spacer-Driver
6	95-1726	3	Screw-Taptite
7	105-3030-03	1	Guide-Belt
8	112-8829	1	Cover-Belt
9	46-8091	3	Screw-HWH
10	32144-1	3	Screw-Taptite
11	104-7577-03	1	Shield-Muffler
12		1	Engine-Briggs, 124L05-0128-F1 ●■
13	2210-316	1	Stop-Rope
14	112-8844	1	Decal
15	117-2718	1	Decal-Arrester, Spark

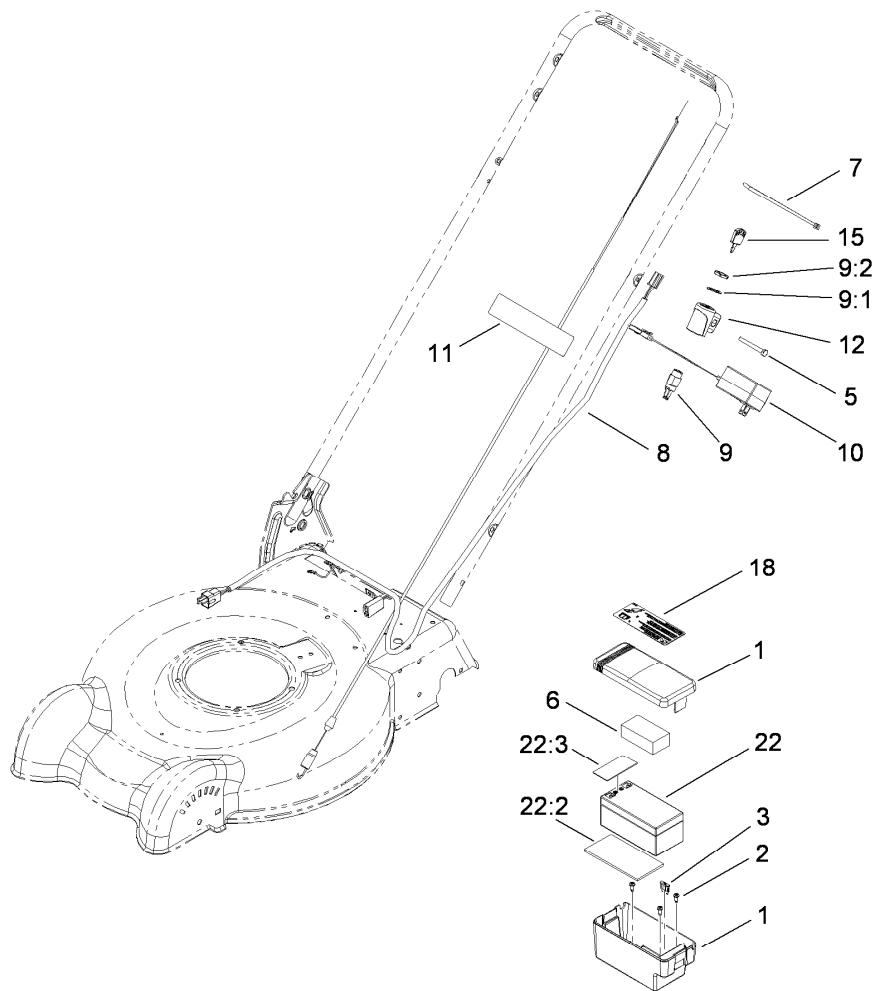
● Not serviced separately

■ Obtain parts from www.briggsandstratton.com



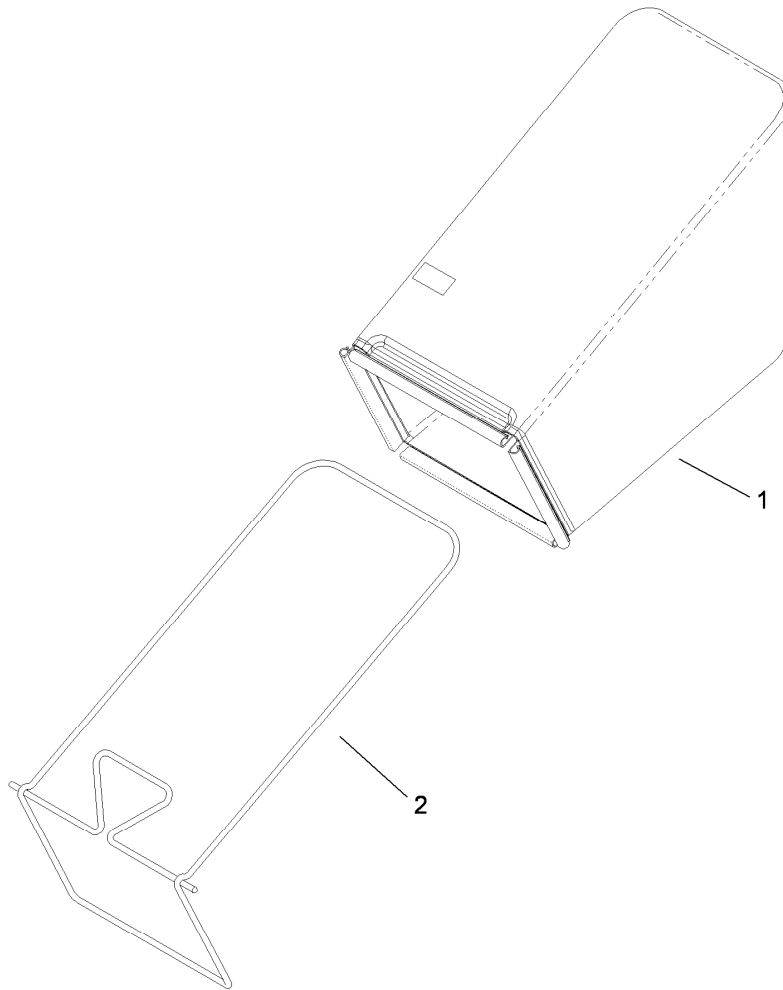
Handle Assembly

<i>Ref.</i>	<i>Part Number</i>	<i>Qty.</i>	<i>Description</i>
1	112-8833-05	1	Handle
2	86-9671	1	Guide-Rope
3	3256-1	1	Washer-Flat
4	3296-73	2	Nut-Lock, NI
5	112-8834-02	1	Bail-Brake, 2-Bail Flat
7	106-6805	1	Guide-Cable
8	112-8818	1	Cable-Brake
9	108-8162	2	Knob-Locking
10	3230-6	2	Screw-CARR
11	112-8835-02	1	Bail-Traction, 2-Bail Flat
12	112-8817	1	Cable-Traction



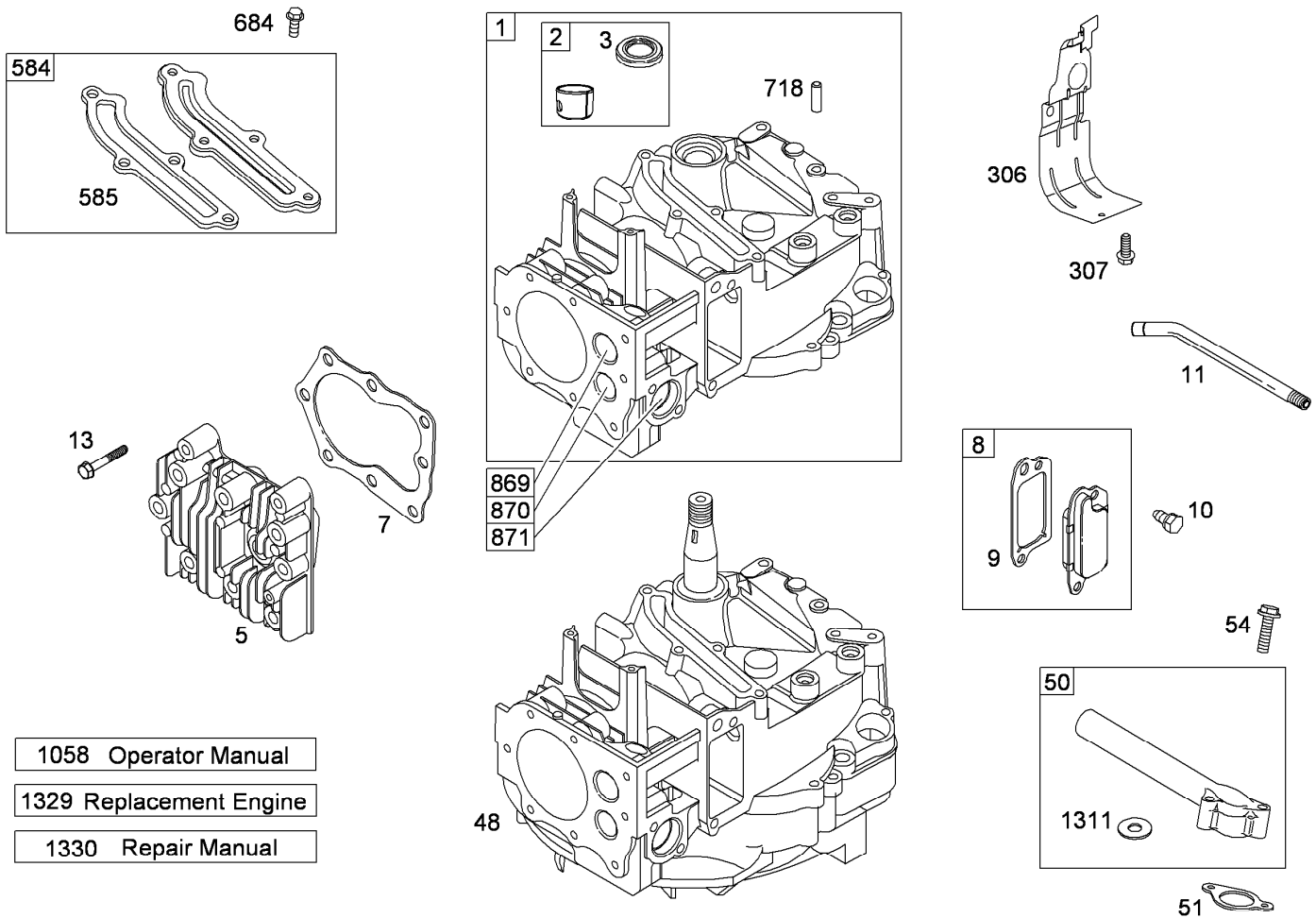
Electrical Assembly

Ref.	Part Number	Qty.	Description
1	108-4844	1	Battery Box ASM
2	105-6849	3	Screw-Thread Forming
3	99-6124	1	Fuse-40 Amp
5	321-57	1	Screw-HH
6	107-3774	1	Foam-Battery, Top
7	614249	1	Strap-Tie
8	106-8378	1	Harness-Wire
9	46-5780	1	Starter Switch ASM
9:1	3254-5	1	Washer-Tooth
9:2	218-461	1	Nut-HH
10	114-1588	1	Charger-Battery, Fujikon
11	104-7953	1	Decal-Harness
12	108-9760	1	Mount-Switch
15	700918	1	Key
18	108-4791	1	Decal-Instructional
22	108-9358	1	Battery
22:2	108-0987	1	Foam-Battery
22:3	112-8763	1	Decal-Terminal, Battery



Rear Bag Assembly

<i>Ref.</i>	<i>Part Number</i>	<i>Qty.</i>	<i>Description</i>
1	112-8836	1	Grass Bag ASM
2	112-8825-03	1	Frame-Bag



- 1058 Operator Manual
- 1329 Replacement Engine
- 1330 Repair Manual

Assemblies include all parts shown in frames

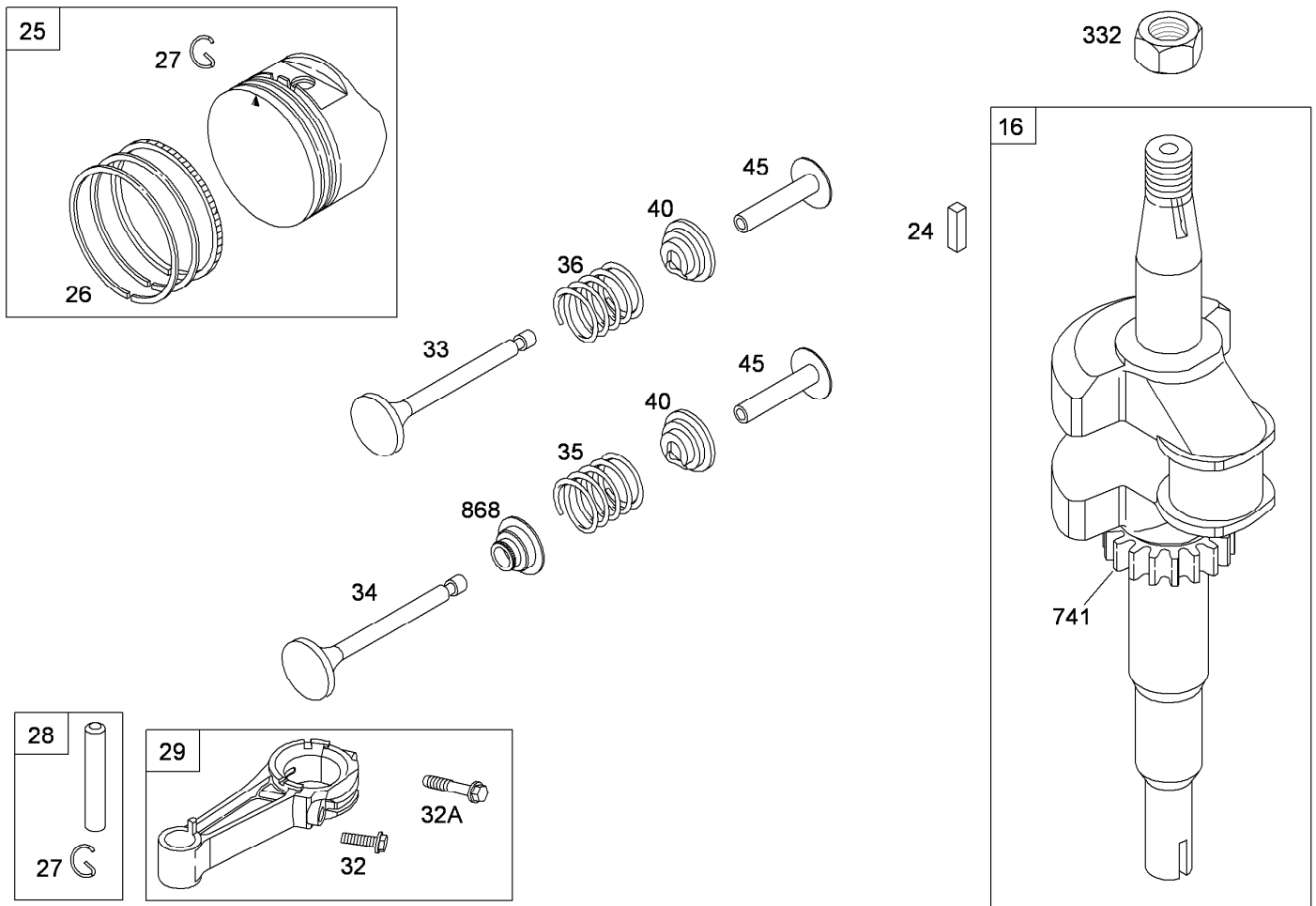
Cylinder and Cylinder Head Assembly Briggs and Stratton 124L05-0128-F1

Ref.	Part Number	Qty.	Description
1	697322	1	Cylinder ASM ■
2	399269	1	Bushing And Seal Kit ■
3	299819s	1	Seal-Oil (Magneto Side) ■▲
5	691160	1	Head-Cylinder ■
7	692249	1	Gasket-Head, Cylinder ■▲◆
8	695250	1	Breather Asm ■
9	699472	1	Gasket-Breather ■▲◆
10	691125	1	Screw (Breather ASM) ■
11	691781	1	Tube-Breather ■
13	690912	1	Screw (Cylinder Head) ■
48	792742	1	Block-Short ■
50	497465	1	Manifold-Intake ■
51	272199s	1	Gasket-Intake ■▲
54	691650	1	Screw (Intake Manifold) ■
306	790836	1	Shield-Cylinder ■

Ref.	Part Number	Qty.	Description
307	690345	1	Screw (Cylinder Shield) ■
584	697734	1	Cover-Passage, Breather ■
585	691879	1	Gasket-Passage, Breather ■▲
684	690345	1	Screw (Breather Passage Cover) ■
718	690959	1	Pin-Locating ■
869	691155	1	Seat-Valve (Intake) ■
870	690380	1	Seat-Valve (Exhaust) ■
871	262001	1	Bushing-Guide (Exhaust) ■
871	63709	1	Bushing-Guide (Intake) ■
1058	277039	1	Operator Manual ■
1311	690390	1	Washer (Intake Manifold) ■
1329	126L071660F1	1	Replacement Engine ■●
1330	270962	1	Repair Manual ■

● Not illustrated
▲ Included in Engine Gasket Set (Ref. No. 358)

■ Obtain parts from www.briggsandstratton.com
◆ Included in Valve Gasket Set (Ref. No. 1095)

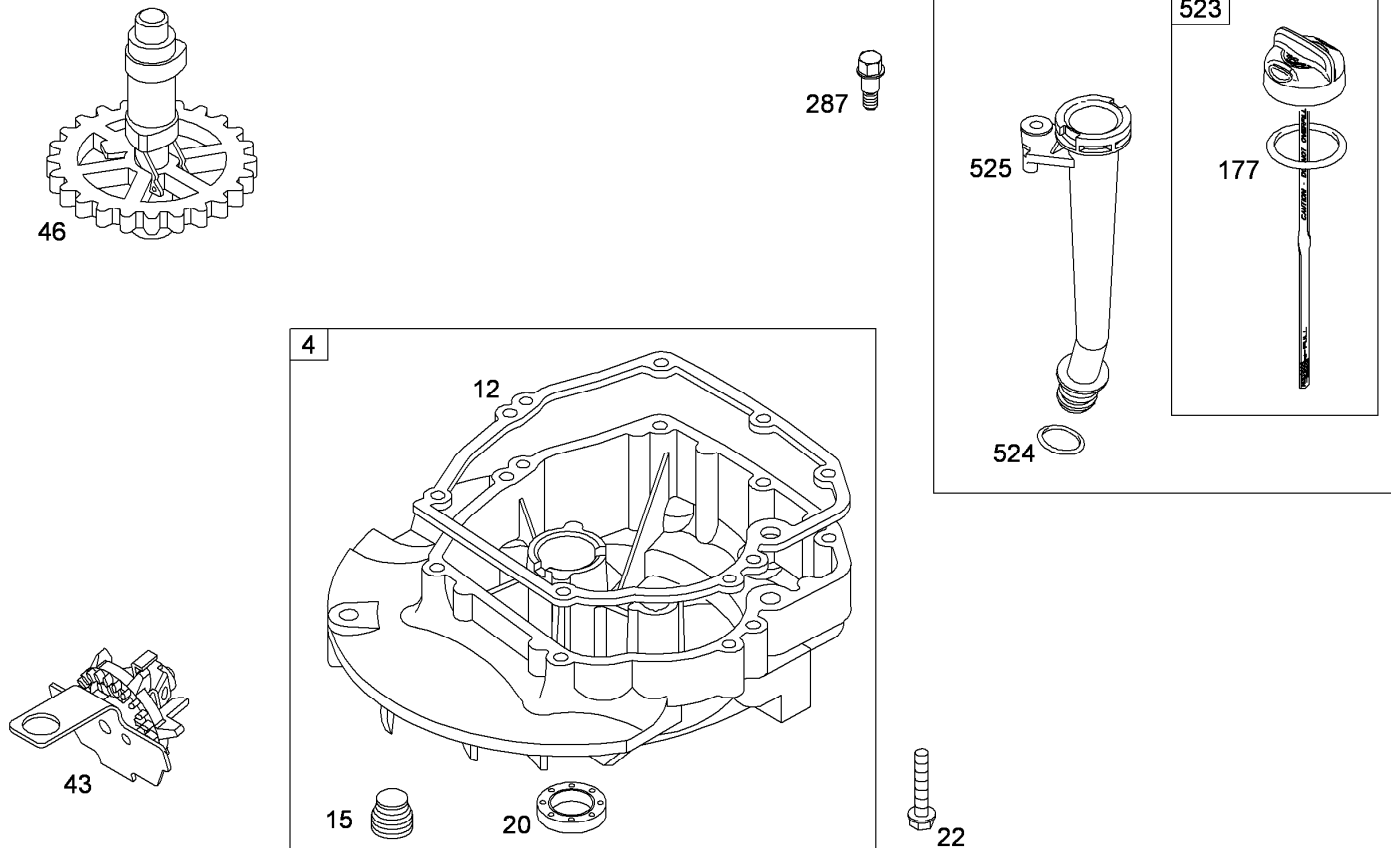


Assemblies include all parts shown in frames

Crankshaft, Piston, Ring and Connecting Rod Assembly Briggs and Stratton 124L05-0128-F1

Ref.	Part Number	Qty.	Description	Ref.	Part Number	Qty.	Description
16	696009	1	Crankshaft ●	32A	695759	1	Screw (Connecting Rod) (Long) ●
24	222698s	1	Key-Flywheel ●	33	262651s	1	Valve-Exhaust ●
25	795429	1	Piston Asm (Standard) ●	34	262652s	1	Valve-Intake ●
25	795430	1	Piston Asm (.020 Oversize) ●	35	691270	1	Spring-Valve (Intake) ●
26	795431	1	Ring Set (Standard) ●	36	691270	1	Spring-Valve (Exhaust) ●
26	795432	1	Ring Set (.020 Oversize) ●	40	692194	1	Retainer-Valve ●
27	691866	1	Lock-Pin, Piston ●	45	690548	1	Tappet-Valve ●
28	499423	1	Pin-Piston ●	332	690662	1	Nut (Flywheel) ●
29	499424	1	Rod-Connecting ●	741	795755	1	Gear-Timing ●
32	691664	1	Screw (Connecting Rod) (Short) ●	868	697338	1	Seal-Valve ●

● Obtain parts from www.briggsandstratton.com



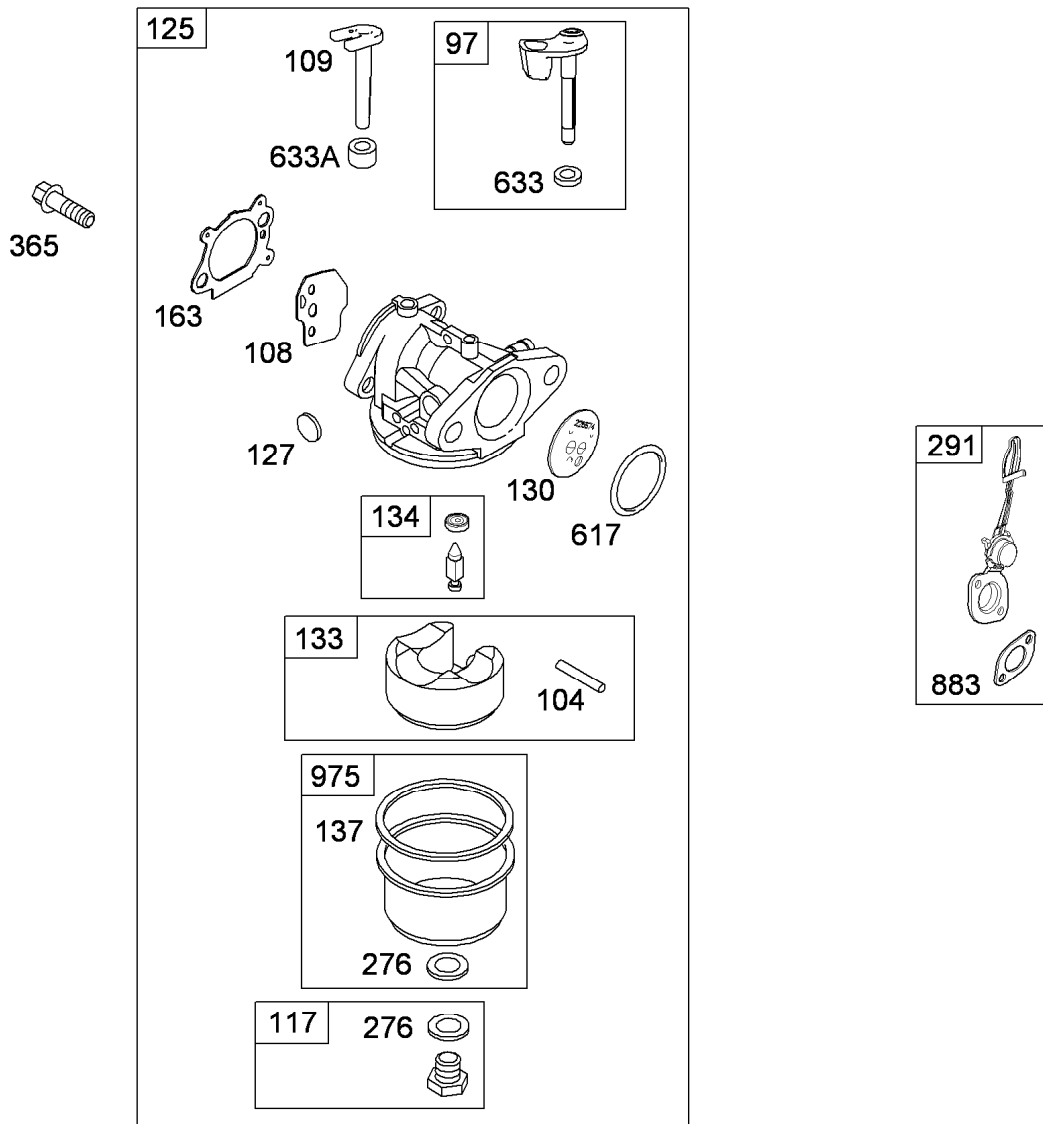
Assemblies include all parts shown in frames

Crankcase Cover and Sump Assembly Briggs and Stratton 124L05-0128-F1

Ref.	Part Number	Qty.	Description
4	493279	1	Sump-Engine ●
12	692232	1	Gasket-Crankcase (.015 STD) ●■
15	691680	1	Plug-Drain, Oil ●
20	399781s	1	Seal-Oil (PTO Side) ●■
22	691092	1	Screw (Crankcase Cover To Sump) ●
43	691997	1	Slinger-Oil, Governor ●
46	691449	1	Camshaft ●
177	691031	1	Seal-O Ring (Dipstick) ●■
287	690940	1	Screw (Dipstick Tube) ●
523	499621	1	Dipstick ●
524	692296	1	Seal-O Ring (Dipstick Tube) ●■
525	495265	1	Tube-Dipstick ●
847	692047	1	Dipstick Tube ASM ●

● Obtain parts from www.briggsandstratton.com

■ Included in Engine Gasket Set (Ref. No. 358)



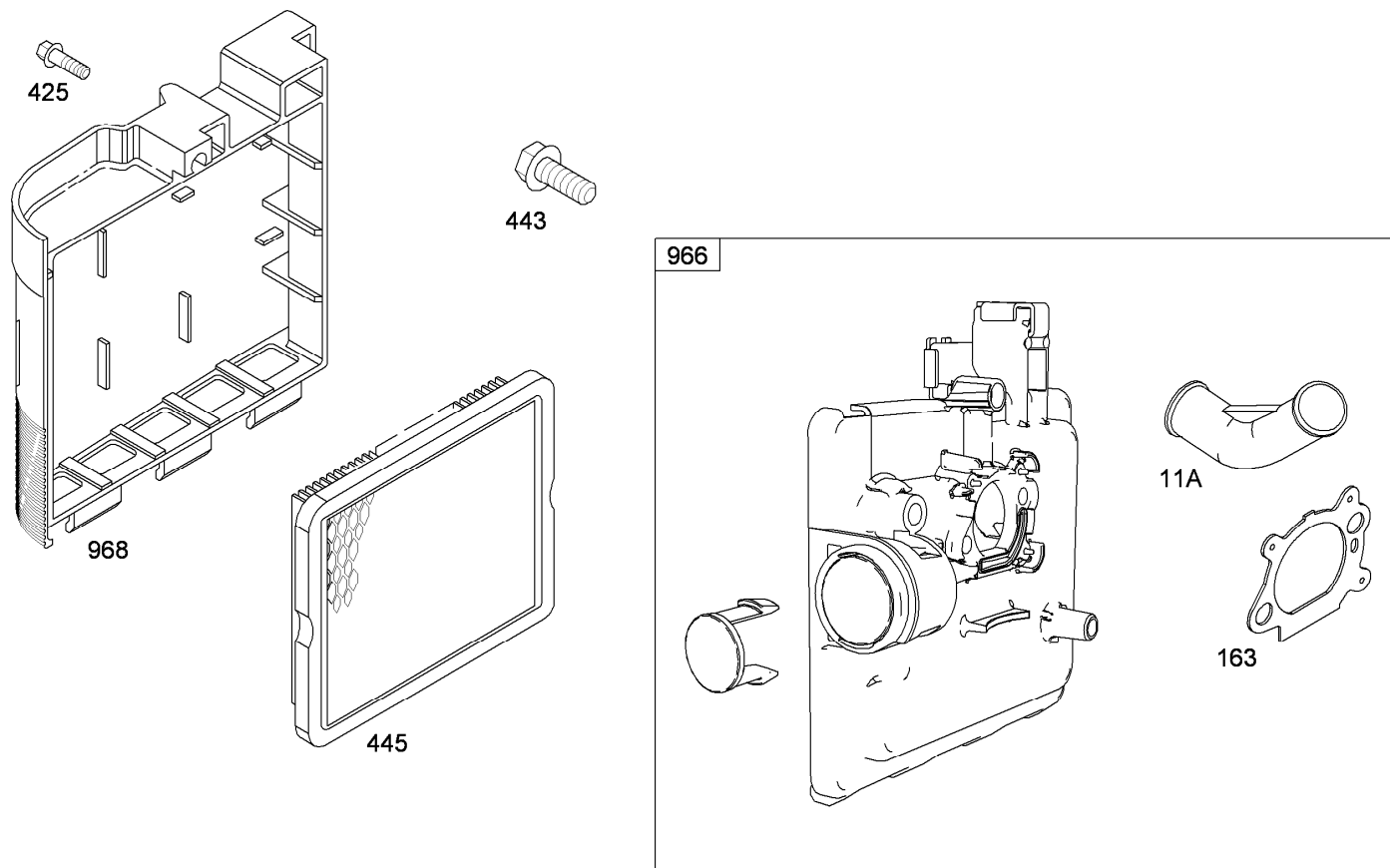
Assemblies include all parts shown in frames

Carburetor and Fuel Tank Assembly Briggs and Stratton 124L05-0128-F1

Ref.	Part Number	Qty.	Description	Ref.	Part Number	Qty.	Description
97	696565	1	Shaft-Throttle ●	163	795629	1	Gasket-Cleaner, Air ●◆■
104	691242	1	Pin-Hinge, Float ●◆	276	271716	1	Washer-Sealing ●◆
108	795935	1	Valve-Choke ●	291	790830	1	Thermostat ●
109	795936	1	Shaft-Choke ●	365	691688	1	Screw (Carburetor) ●
117	695042	1	Jet-Main (STD) ●	617	270344s	1	Seal-O Ring (Intake Manifold) ●◆■
125	794304	1	Carburetor ●	633	691321	1	Seal-Shaft, Choke Throttle (Throttle Shaft) ●◆
127	694468	1	Plug-Welch ●◆	633A	693867	1	Seal-Shaft, Choke Throttle (Choke Shaft) ●
130	696564	1	Valve-Throttle ●	883	691881	1	Gasket-Exhaust ●■▲
133	398187	1	Float-Carburetor ●	975	493640	1	Bowl-Float ●
134	398188	1	Needle And Seat Kit ●◆				
137	796610	1	Gasket-Bowl, Float (Used After Date Code 08120100) ●◆				
137	693981	1	Gasket-Bowl, Float (Used Before Date Code 08120200) ●◆				

● Obtain parts from www.briggsandstratton.com
▲ Included in Valve Gasket Set (Ref. No. 1095)

■ Included in Engine Gasket Set (Ref. No. 358)
◆ Included in Carburetor Overhaul Kit (Ref. No. 121)



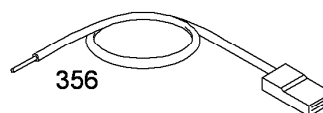
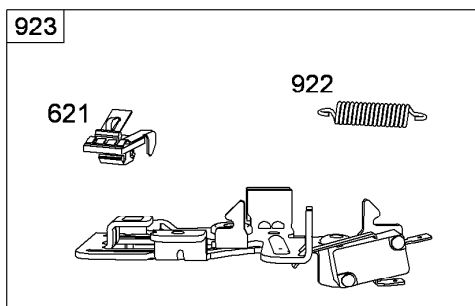
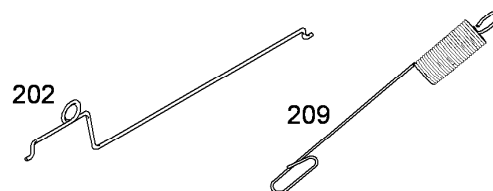
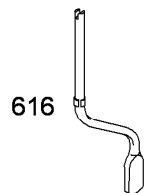
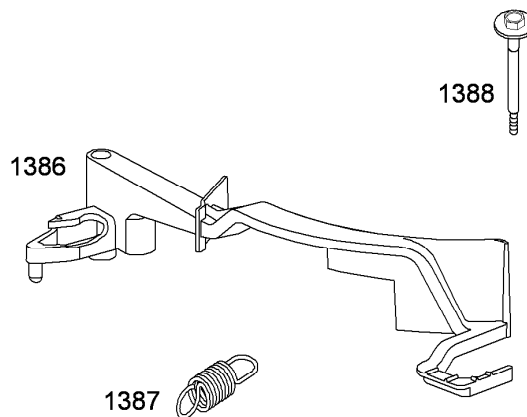
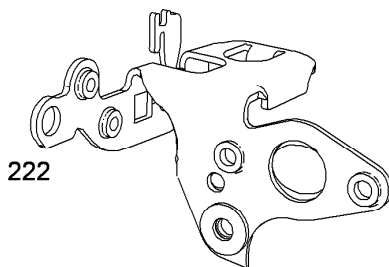
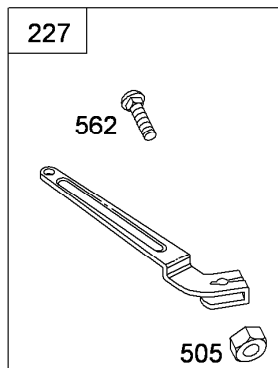
Assemblies include all parts shown in frames

Air Cleaner Assembly Briggs and Stratton 124L05-0128-F1

<i>Ref.</i>	<i>Part Number</i>	<i>Qty.</i>	<i>Description</i>
11A	691923	1	Tube-Breather (Air Cleaner Primer Base) ●
163	795629	1	Gasket-Cleaner, Air ●▲■
425	690670	1	Screw (Air Cleaner Cover) ●
443	692523	1	Screw (Air Cleaner Primer Base) ●
445	491588s	1	Filter-Cartridge, Air Cleaner ●
966	795259	1	Base-Primer, Air Cleaner ●
968	692298	1	Cover-Cleaner, Air ●

● Obtain parts from www.briggsandstratton.com
▲ Included in Carburetor Overhaul Kit (Ref. No. 121)

■ Included in Engine Gasket Set (Ref. No. 358)



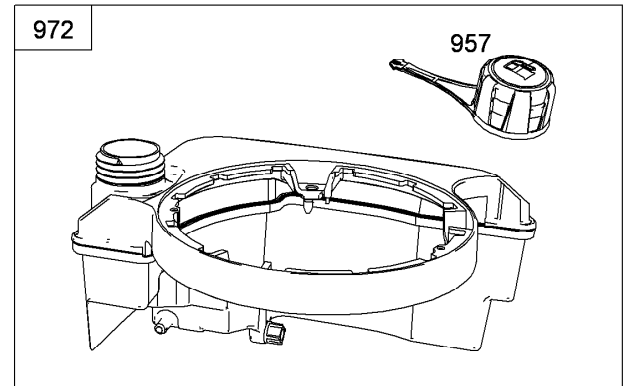
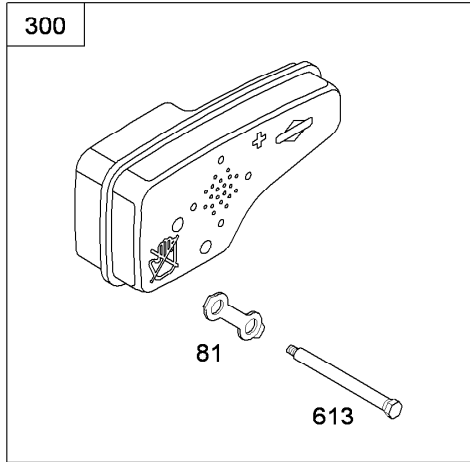
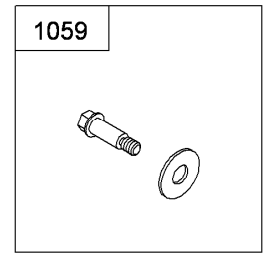
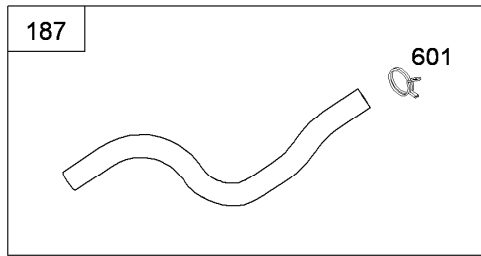
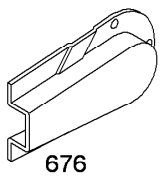
Assemblies include all parts shown in frames

Governor, Controls and Brake Assembly Briggs and Stratton 124L05-0128-F1

Ref.	Part Number	Qty.	Description
202	691829	1	Link-Governor, Mechanical ●
209	699056	1	Spring-Governor (No Color) ●
222	795937	1	Bracket-Control ●
227	690783	1	Lever-Control, Governor ●
356	692390	1	Wire-Stop ●
404	690272	1	Washer (Governor Crank) ●
505	691251	1	Nut (Governor Control Lever) ●
562	691119	1	Screw (Governor Control Lever) ●

Ref.	Part Number	Qty.	Description
615	690340	1	Retainer-Shaft, Governor ●
616	698801	1	Crank-Governor ●
621	692310	1	Switch-Stop ●
745	691648	1	Screw (Brake) ●
922	692135	1	Spring-Brake ●
923	796387	1	Brake ●
1386	790848	1	Vane-Air ●
1387	790849	1	Spring-Vane, Air ●
1388	790850	1	Screw ●

● Obtain parts from www.briggsandstratton.com



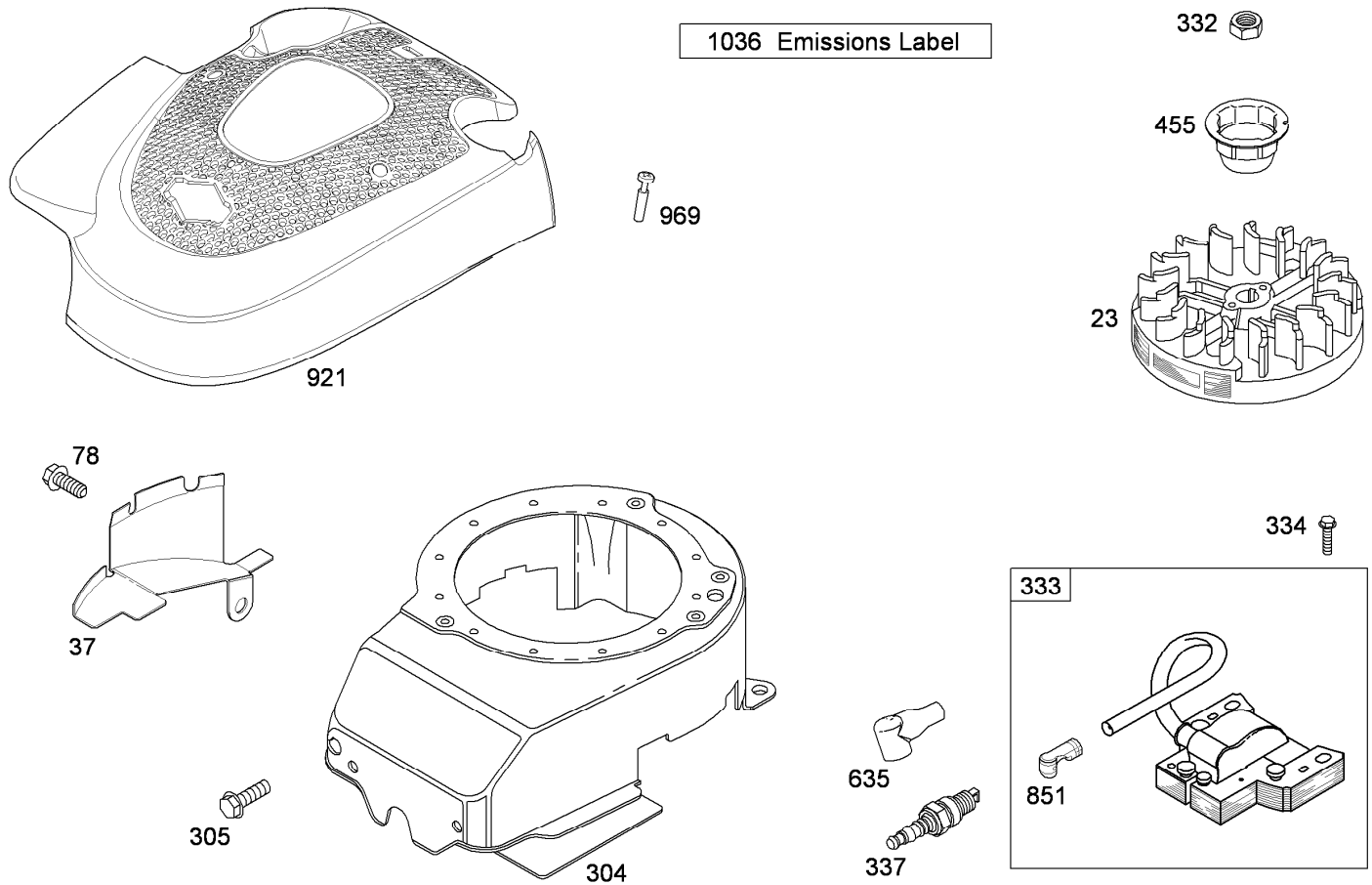
Assemblies include all parts shown in frames

Muffler and Fuel Tank Assembly Briggs and Stratton 124L05-0128-F1

Ref.	Part Number	Qty.	Description
81	691740	1	Lock-Screw, Muffler ●
187	791873	1	Line-Fuel (Molded) ●
190	690940	1	Screw (Fuel Tank) ●
300	790828	1	Muffler ●
601	791850	1	Clamp-Hose ●
613	790833	1	Screw (Muffler) ●
676	493871	1	Deflector-Muffler ●
677	690661	1	Screw (Muffler Deflector) ●
883	691881	1	Gasket-Exhaust ●■▲
957	796577	1	Cap-Tank, Fuel ●
972	796578	1	Tank-Fuel ●
1059	692311	1	Screw And Washer Kit ●

● Obtain parts from www.briggsandstratton.com
▲ Included in Valve Gasket Set (Ref. No. 1095)

■ Included in Engine Gasket Set (Ref. No. 358)



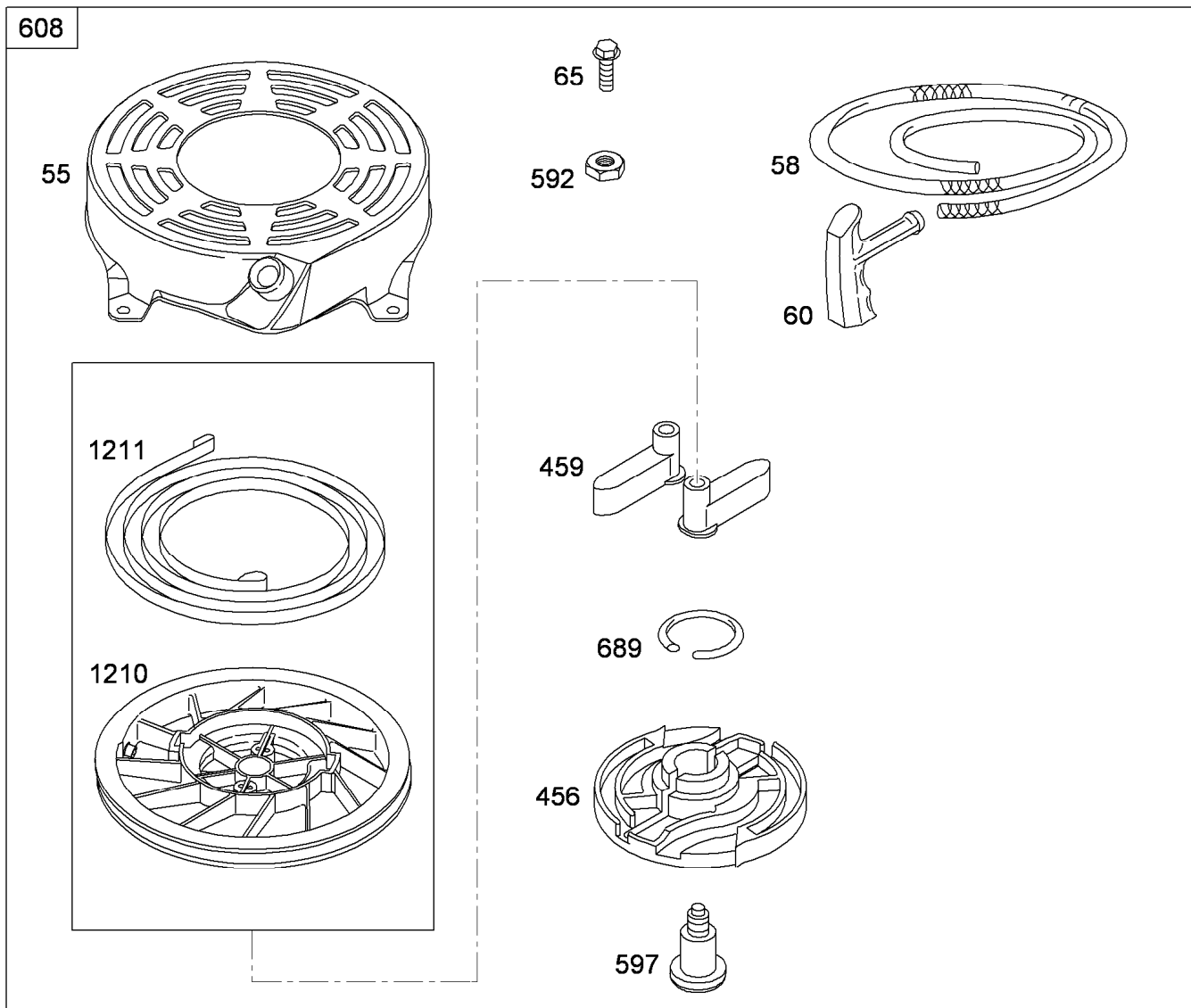
Assemblies include all parts shown in frames

Blower Housing, Flywheel and Ignition Assembly Briggs and Stratton 124L05-0128-F1

Ref.	Part Number	Qty.	Description
23	691987	1	Flywheel ■
37	793756	1	Guard-Flywheel ■
78	691108	1	Screw (Flywheel Guard) ■
304	790826	1	Housing-Blower ■
305	691108	1	Screw (Blower Housing) ■
332	690662	1	Nut (Flywheel) ■
333	802574	1	Armature-Magneto ■
334	691061	1	Screw (Magneto Armature) ■
337	802592s	1	Spark Plug ■
455	791960	1	Cup-Flywheel ■
635	66538s	1	Boot-Spark Plug ■
851	483880s	1	Terminal-Spark Plug ■
921	792652	1	Cover-Housing, Blower ■
969	691138	1	Screw (Blower Housing Cover) ■
1036		1	Label-Emissions ■●

● Not serviced separately

■ Obtain parts from www.briggsandstratton.com

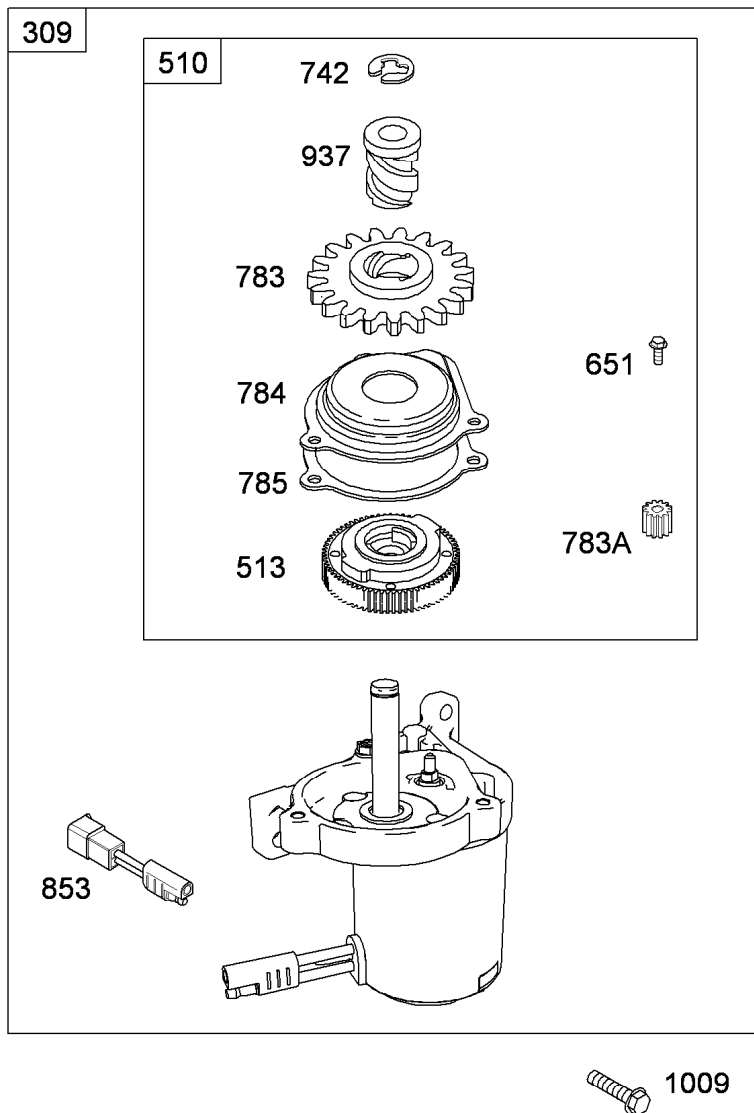


Assemblies include all parts shown in frames

Rewind Starter Assembly Briggs and Stratton 124L05-0128-F1

Ref.	Part Number	Qty.	Description
55	691421	1	Housing-Starter, Rewind ●
58	697316	1	Rope-Starter (Cut To Required Length) ●
60	281434s	1	Grip-Rope, Starter ●
65	690837	1	Screw (Rewind Starter) ●
456	692299	1	Plate-Friction, Pawl ●
459	281505s	1	Ratchet-Pawl ●
592	690800	1	Nut (Rewind Starter) ●
597	691696	1	Screw (Pawl Friction Plate) ●
608	497680	1	Starter-Rewind ●
689	691855	1	Spring-Friction ●
1210	498144	1	Pulley And Spring ASM (Pulley) ●
1211	498144	1	Pulley And Spring ASM (Spring) ●

● Obtain parts from www.briggsandstratton.com

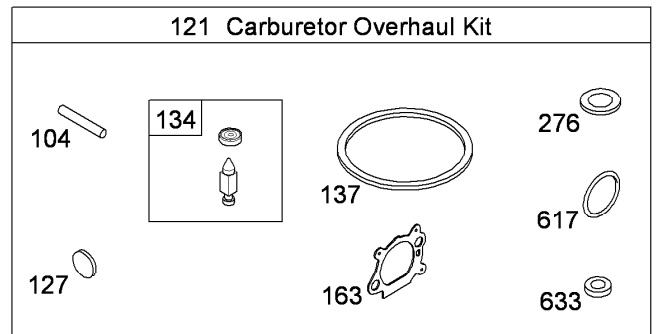
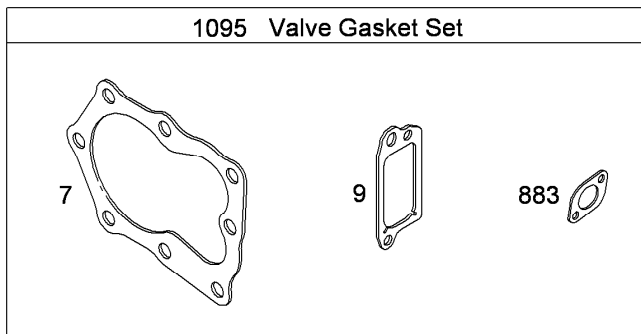
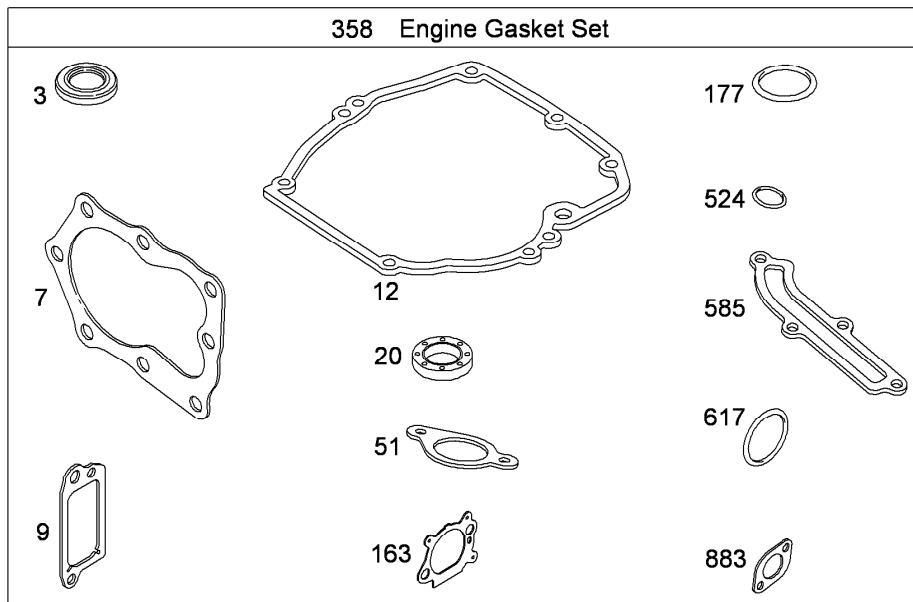


Assemblies include all parts shown in frames

Electric Starter Assembly Briggs and Stratton 124L05-0128-F1

<i>Ref.</i>	<i>Part Number</i>	<i>Qty.</i>	<i>Description</i>
309	795092	1	Motor-Starter ●
510	795093	1	Drive-Starter ●
513	795100	1	Clutch-Drive ●
651	690345	1	Screw (Starter Gear Cover) ●
742	795094	1	Retainer-E Ring ●
783	795096	1	Gear-Pinion (Small) ●
783A	795099	1	Gear-Pinion (Large) ●
784	795095	1	Cover-Gear, Starter ●
785	795097	1	Gasket-Cover, Starter ●
853	695268	1	Adapter-Wire ●
937	795098	1	Spline-Starter ●
1009	691127	1	Screw (Starter Motor) ●

● Obtain parts from www.briggsandstratton.com



Assemblies include all parts shown in frames

Engine and Valve Gaskets and Carburetor Overhaul Kit Briggs and Stratton 124L05-0128-F1

Ref.	Part Number	Qty.	Description
3	299819s	1	Seal-Oil (Magneto Side) ●■
7	692249	1	Gasket-Head, Cylinder ●■▲
9	699472	1	Gasket-Breather ●■▲
12	692232	1	Gasket-Crankcase ●■
20	399781s	1	Seal-Oil (PTO Side) ●■
51	272199s	1	Gasket-Intake ●■
104	691242	1	Pin-Hinge, Float ●◆
121	498260	1	Carburetor Overhaul Kit ●
127	694468	1	Plug-Welch ●◆
134	398188	1	Needle And Seat Kit ●◆
137	796610	1	Gasket-Bowl, Float (Used After Date Code 08120100) ●◆
137	693981	1	Gasket-Bowl, Float (Used Before Date Code 08120200) ●◆

Ref.	Part Number	Qty.	Description
163	795629	1	Gasket-Cleaner, Air ●◆■
177	691031	1	Seal-O Ring (Dipstick) ●■
276	271716	1	Washer-Sealing ●◆
358	497316	1	Engine Gasket Set ●
524	692296	1	Seal-O Ring (Dipstick Tube) ●■
585	691879	1	Gasket-Passage, Breather ●■
617	270344s	1	Seal-O Ring (Intake Manifold) ●◆■
633	691321	1	Seal-Shaft, Choke Throttle (Throttle Shaft) ●◆
883	691881	1	Gasket-Exhaust ●■▲
1095	498528	1	Valve Gasket Set ●

● Obtain parts from www.briggsandstratton.com
▲ Included in Valve Gasket Set (Ref. No. 1095)

■ Included in Engine Gasket Set (Ref. No. 358)
◆ Included in Carburetor Overhaul Kit (Ref. No. 121)

Attachments and Accessories

For 10647 20in Mulching/Rear Bagging Lawn Mower

Product Name	Model/Part
Loose Parts Kit	117-5930
Replacement Bag, 2009 and After 20in Steel Deck Lawnmowers.....	89701
Replacement Bag and Frame Kit, 2009 and After 20in Steel Deck Lawnmowers	89702
20in Replacement Blade.....	89963

Notes:

